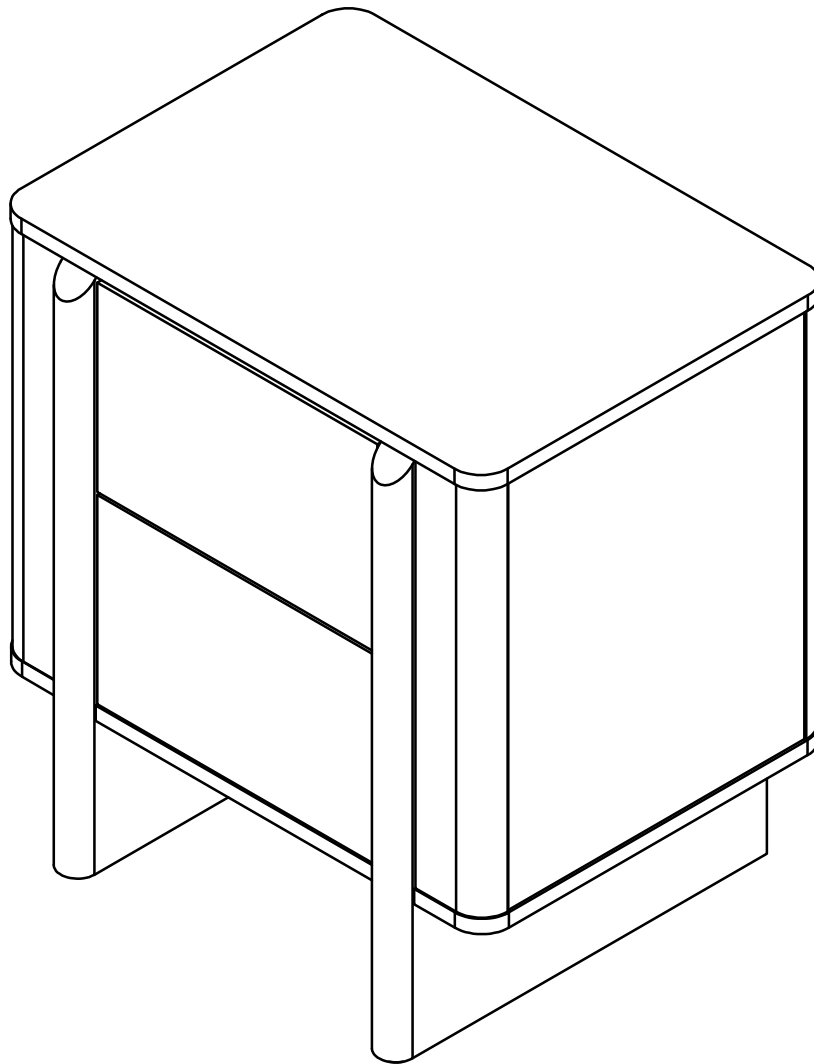


LuxenHöme

End Table

SKU WHIF2713



ASSEMBLY INSTRUCTIONS



60 min. assembly
2 person

*The estimated assembly time may vary depending on the individual.

Hey, there

Now is assembly time!

Deeeeep breathe.... and again....
Tools ready,
Easy peasy!

Estimated



60 min. assembly
2 person

Tools Required

- Allen Wrench(included)
- Phillips screwdriver(included)
- Power Drill(not included)
- Drill bit(not included)

important: *Cautious when you use power tools*

Need Help?

Call us at +1 909 548 6688
Email customerservice@luxenhome.com
Submit a ticket on www.luxenhome.com/help

Thank you for purchasing this LuxenHome product. This product has been manufactured with the highest standards of safety and quality.

PLEASE READ ALL INSTRUCTIONS CAREFULLY BEFORE ASSEMBLY.

Unpack all parts from the packaging inside the carton to ensure there are no missing or damaged parts. Lay out all the parts on a clean, flat, and soft surface to prevent scratches. Refer to the steps provided as assembling guide.

Do not attempt to assemble or use the product if any parts are missing or damaged.

REMINDERS

SAFE USAGE IS KEY

Your well-being is our top priority when you use our product. Please prioritize your safety by diligently following the assembly guidelines and inspecting the product carefully both when it arrives and before each use.

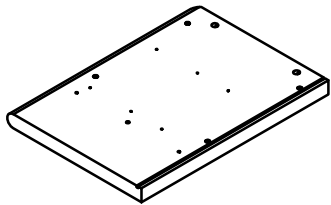
Please be aware that LuxenHome and Winsome House, Inc. cannot be held liable for any injuries or fatalities that occur due to not adhering to the provided instructions or misuse of the product.

DO NOT MODIFY

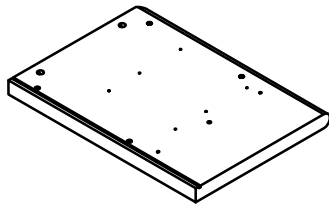
Our products undergo rigorous testing to ensure they meet established safety standards before being released for sale. Altering the product in any way can lead to serious safety concerns, for which LuxenHome cannot assume responsibility.

What's in the box

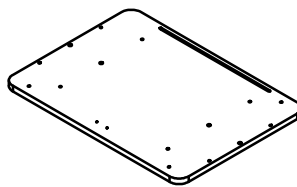
Parts



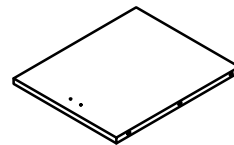
①x1
Left Leg



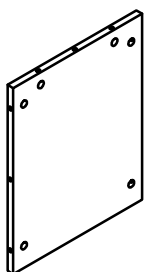
②x1
Right Leg



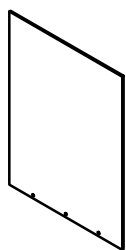
③x1
Top Panel



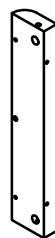
④x1
Middle Bottom Panel



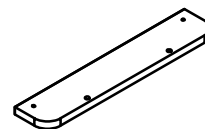
⑤x2
Side Panel



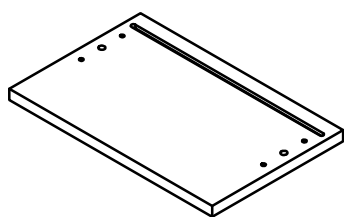
⑥x1
Back Panel



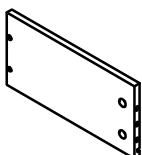
⑦x4
Side Decorative Panel



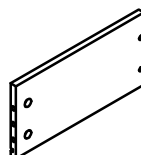
⑧x2
Side Base Plate



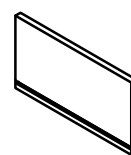
⑨x2
Drawer Front



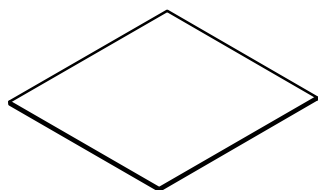
⑩x2
Drawer Left Side Panel



⑪x2
Drawer Right Side Panel

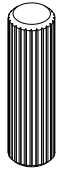


⑫x2
Drawer Back Side Panel



⑬x2
Drawer Bottom Panel

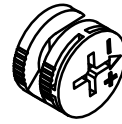
Hardware & Accessory



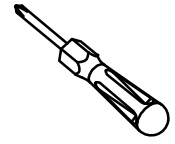
Ax14+2
Ø8x30 mm



Bx36+4
Ø6x35 mm



Cx36+4
Ø15x10 mm



Dx1



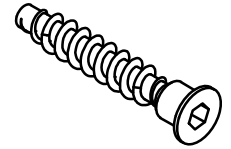
Ex1



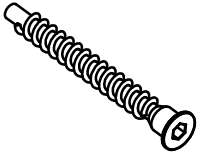
Fx28+3
3x12 mm



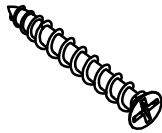
Gx9
3x16 mm



Hx4
7x40 mm



Ix8
7x60 mm



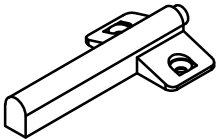
Jx10+2
4x35mm



Kx2
4x22mm



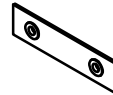
Lx6



Mx2



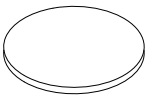
Nx4



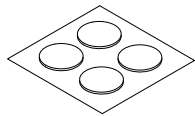
Ox2



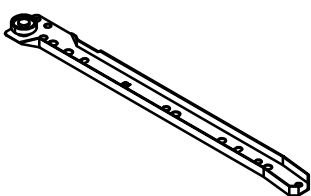
Px2



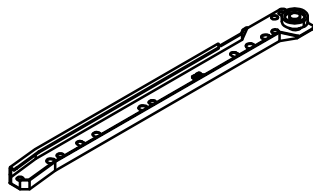
Qx4



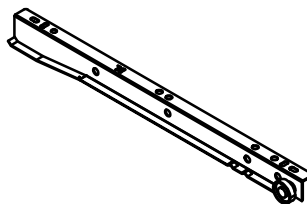
Rx8



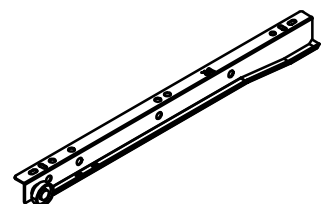
CLx2



CRx2

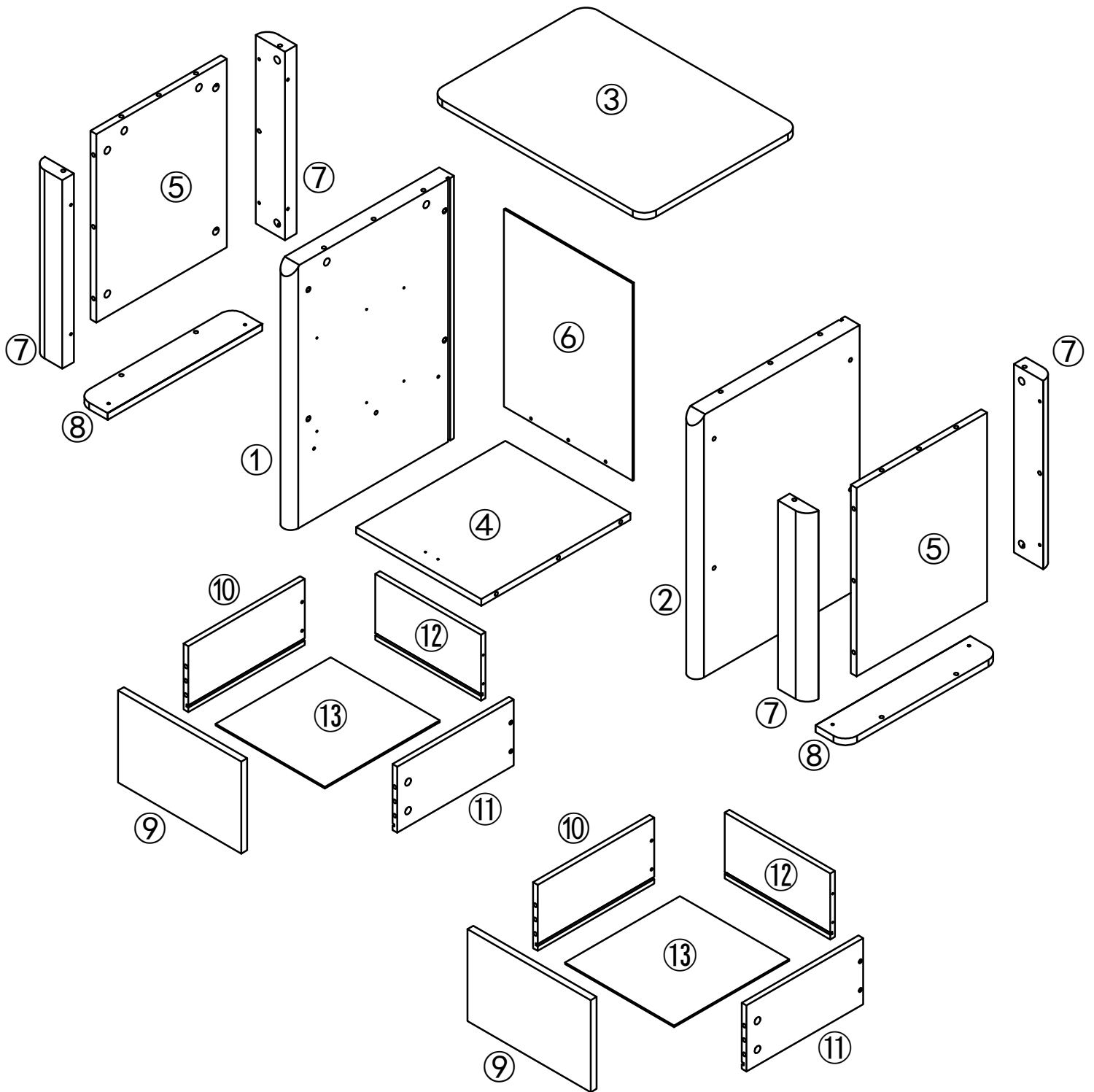


DLx2



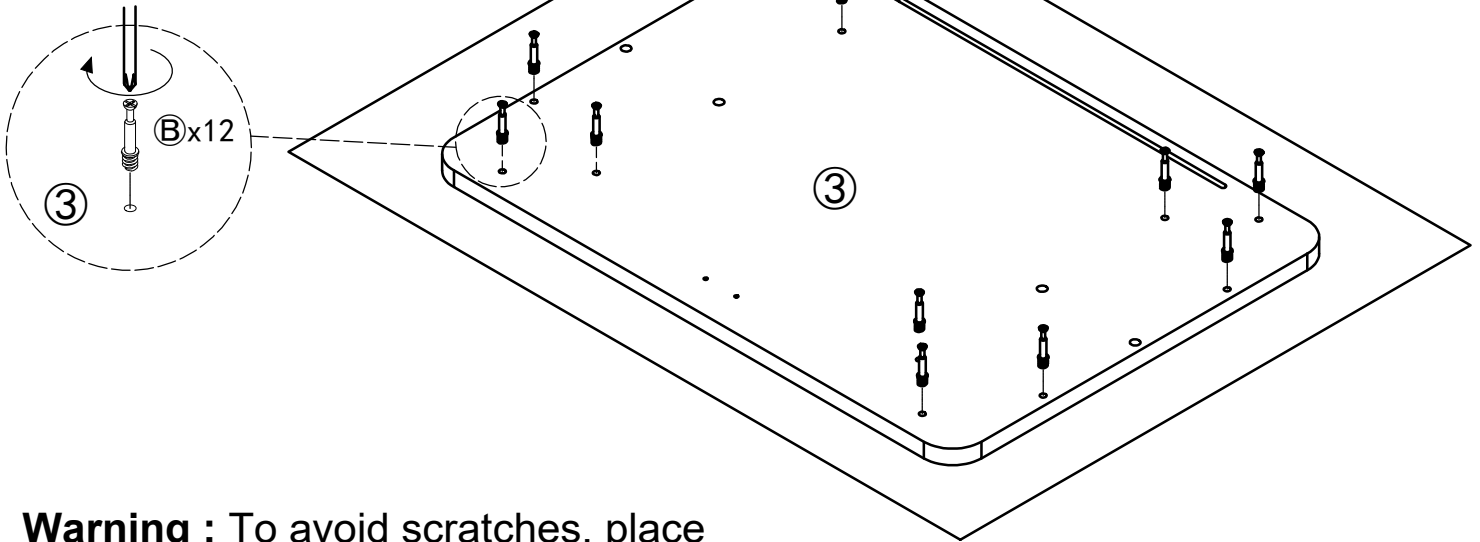
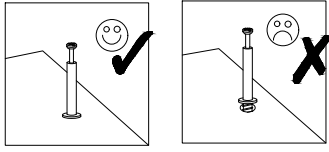
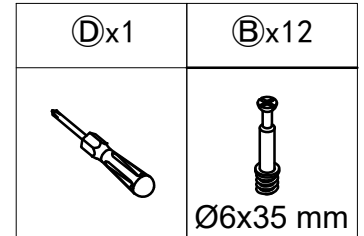
DRx2

Assembly



Step 1

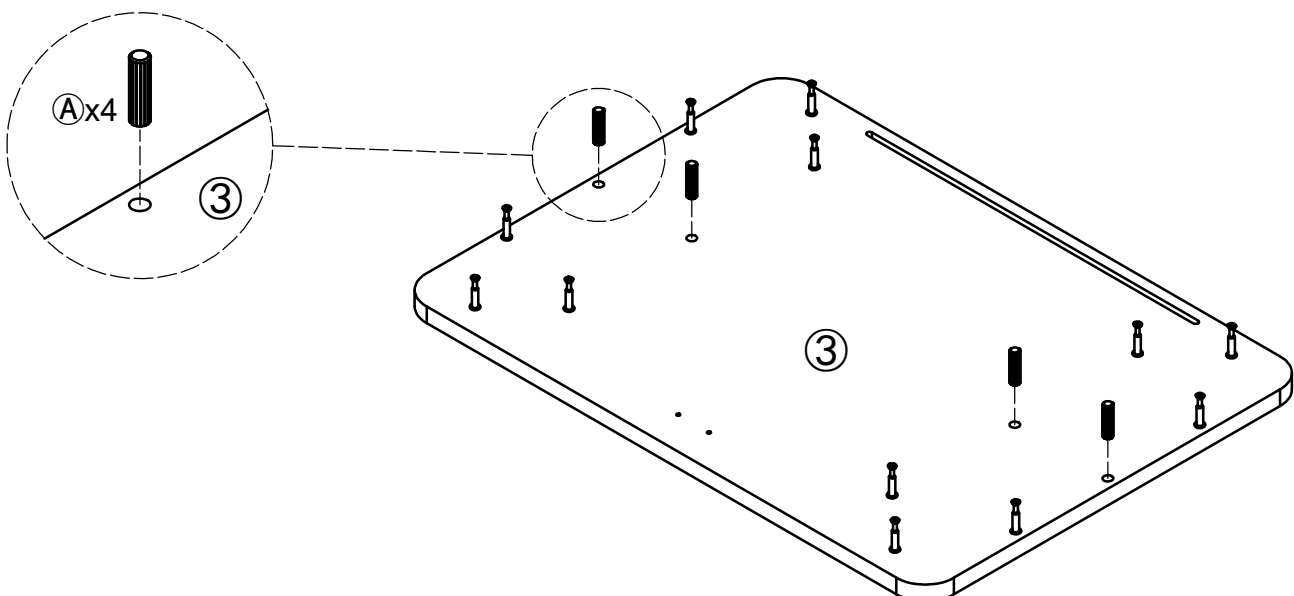
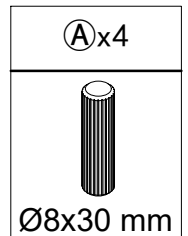
Fully tighten 12 pcs cam screw (B) to part (3), fix by using phillips screwdriver (D). Tighten until the shoulder is against the surface of the board.



Warning : To avoid scratches, place the panels on a clean and soft surface.

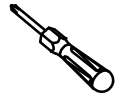


Step 2

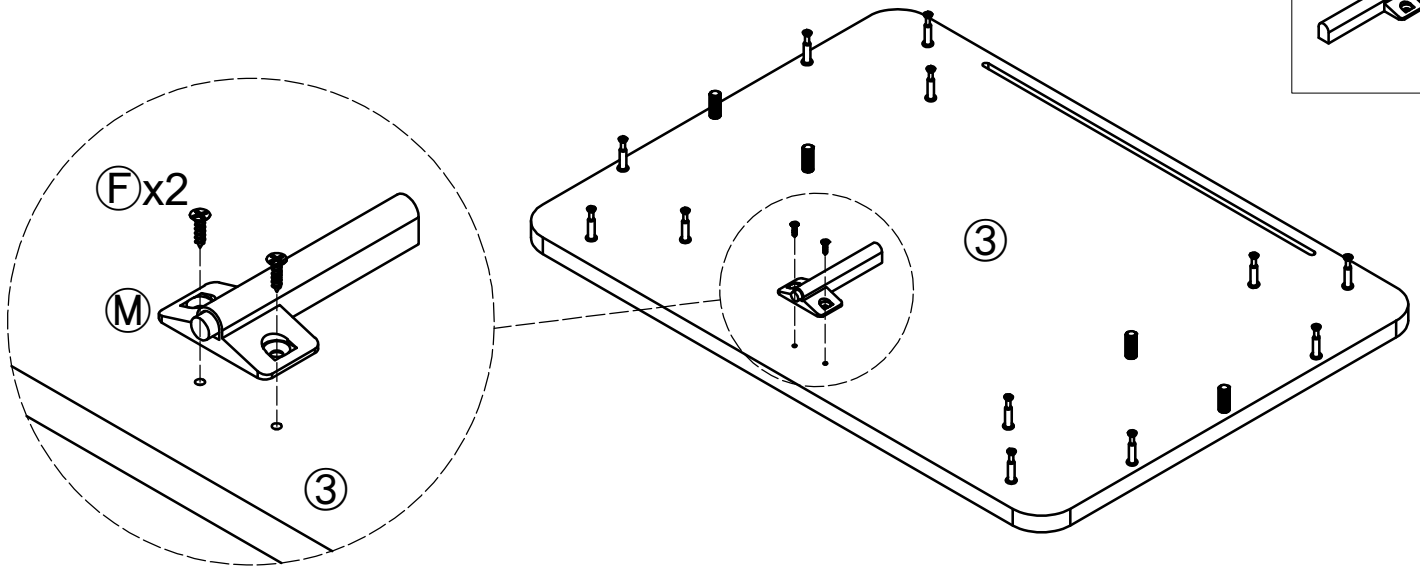
Insert 4 pcs wood dowel (A) to part (3).



Step 3



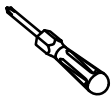
Attached 1 pc push latch (M) to the 2 partially pre-drilled holes of part (3), fully tighten by using 2 pcs self tapping screw (F) and phillips screwdriver (D).

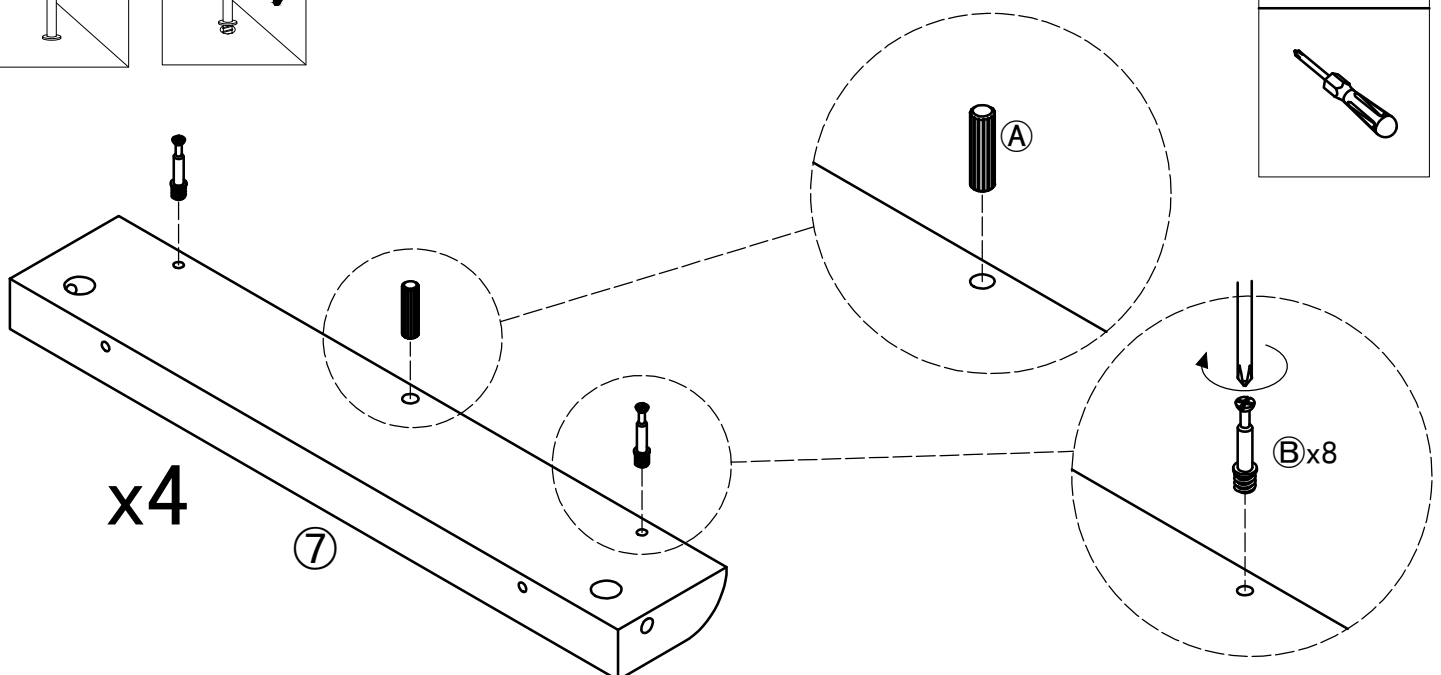
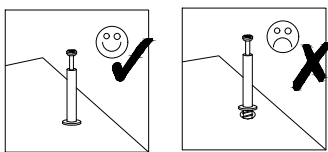
(D)x1	(F)x2
	 3x12 mm
	(M)x1
	



Step 4


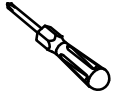
Fully tighten 8 pcs cam screw (B) to 4 pcs part (7), fix by using phillips screwdriver (D). Tighten until the shoulder is against the surface of the board. Then insert 4 pcs wood dowel (A) to 4 pcs part (7).

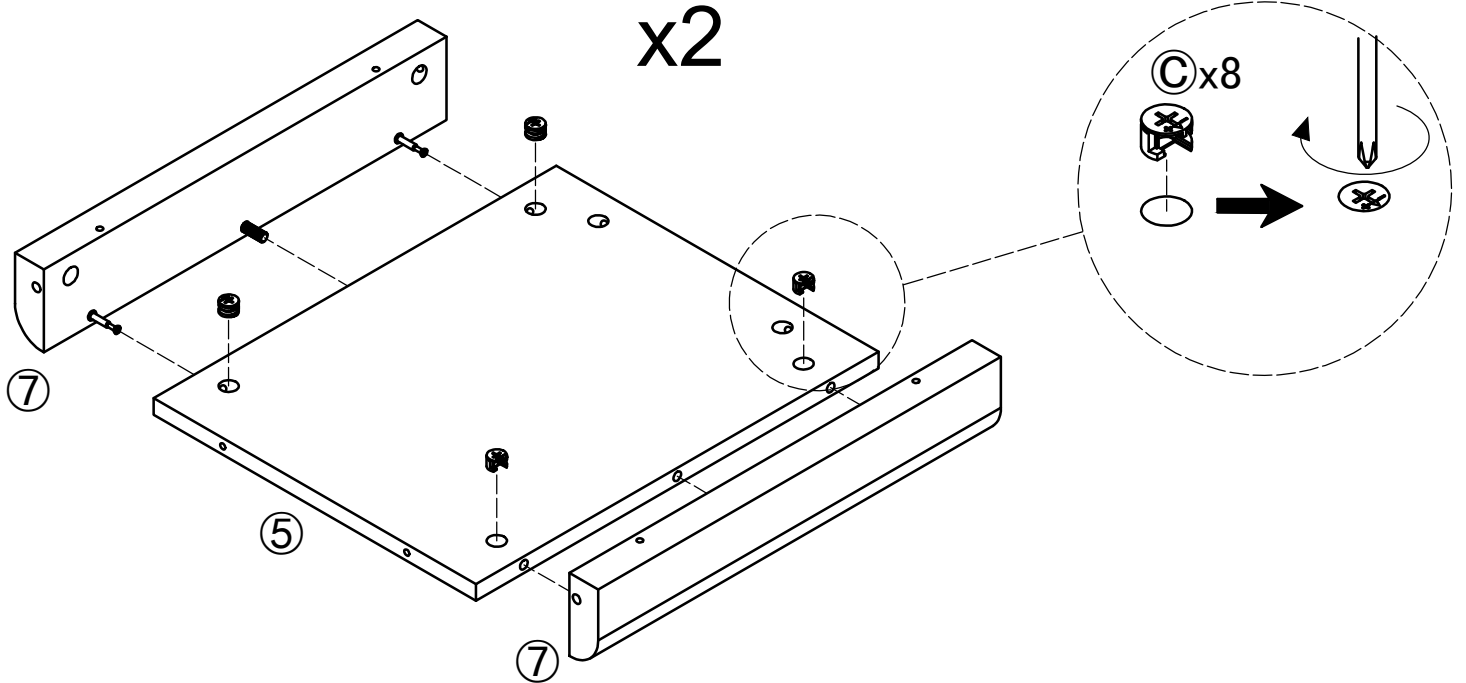
(A)x4	(B)x8
 Ø8x30 mm	 Ø6x35 mm
	(D)x1
	



Step 5


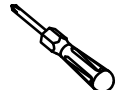
Insert 4 pcs part ⑦ into 2 pcs part ⑤. Push 8 pcs hidden cam ③ into the part ⑤, the ARROW in the hidden cam ③ must point to cam screw ② before inserting to the hidden cam holes. Then tighten hidden cam ③ by using phillips screwdriver ④.

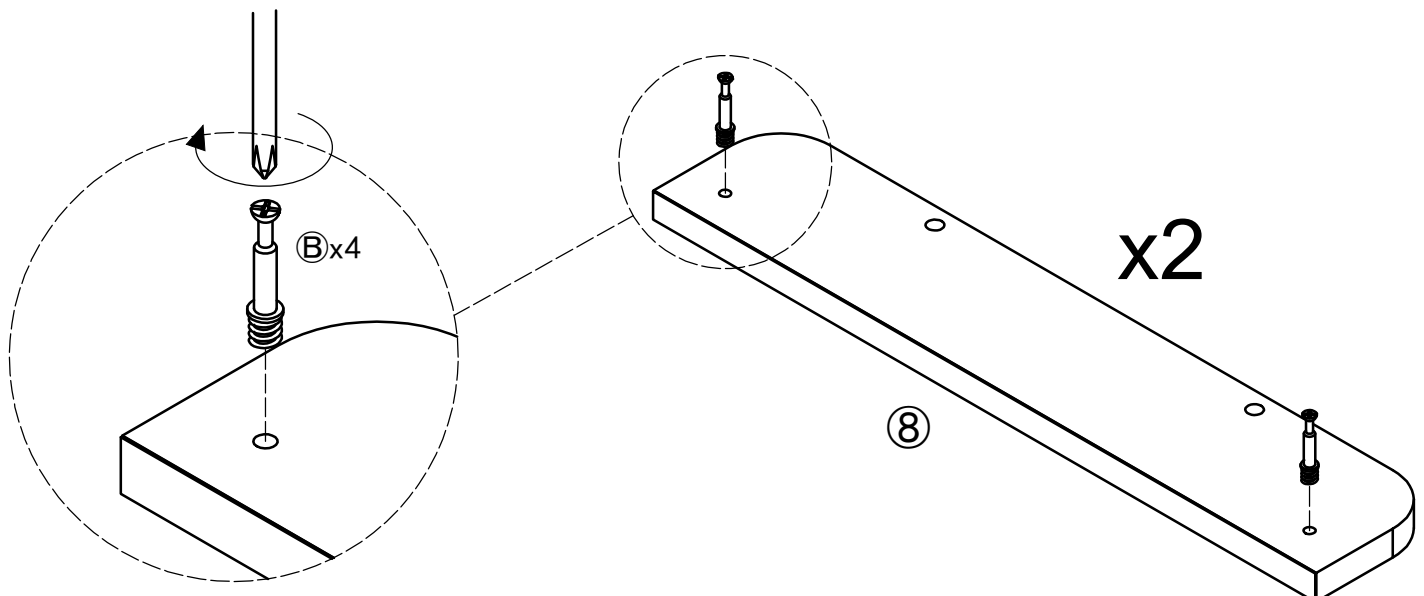
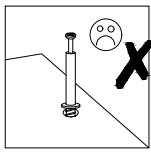
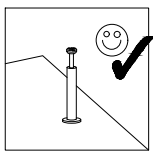
③x8	④x1
 Ø15x10 mm	



Step 6


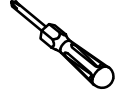
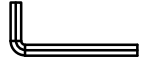

Fully tighten 4 pcs cam screw ⑥ to 2 pcs part ⑧, fix by using phillips screwdriver ④. Tighten until the shoulder is against the surface of the board.

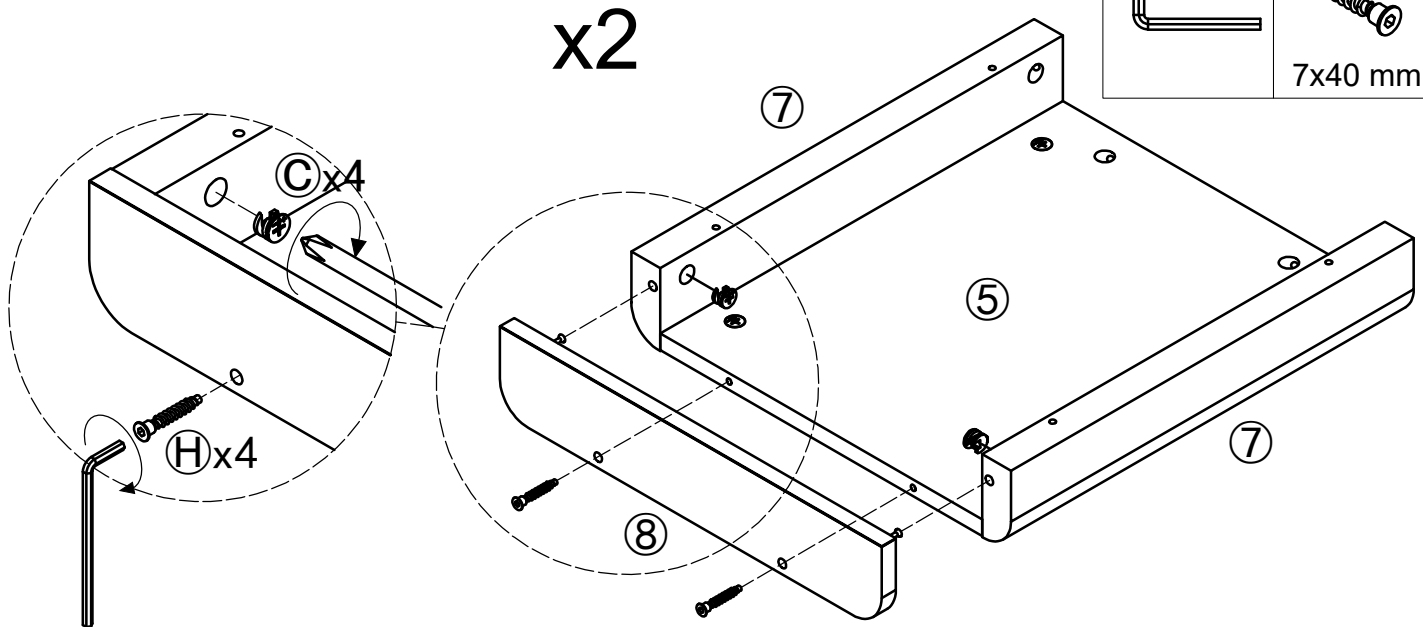
⑥x4	④x1
 Ø6x35 mm	



Step 7


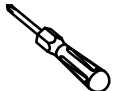
Insert 2 pcs part ⑧ into 2 pcs part ⑤&⑦. Push 4 pcs hidden cam ③ into the part ⑦, the ARROW in the hidden cam ③ must point to cam screw ② before inserting to the hidden cam holes. Then tighten hidden cam ③ by using phillips screwdriver ④. Fix 2 pcs part ⑧ to 2 pcs part ⑤ by using 4 pcs hex head self tapping screw ⑥ and allen key ⑦.

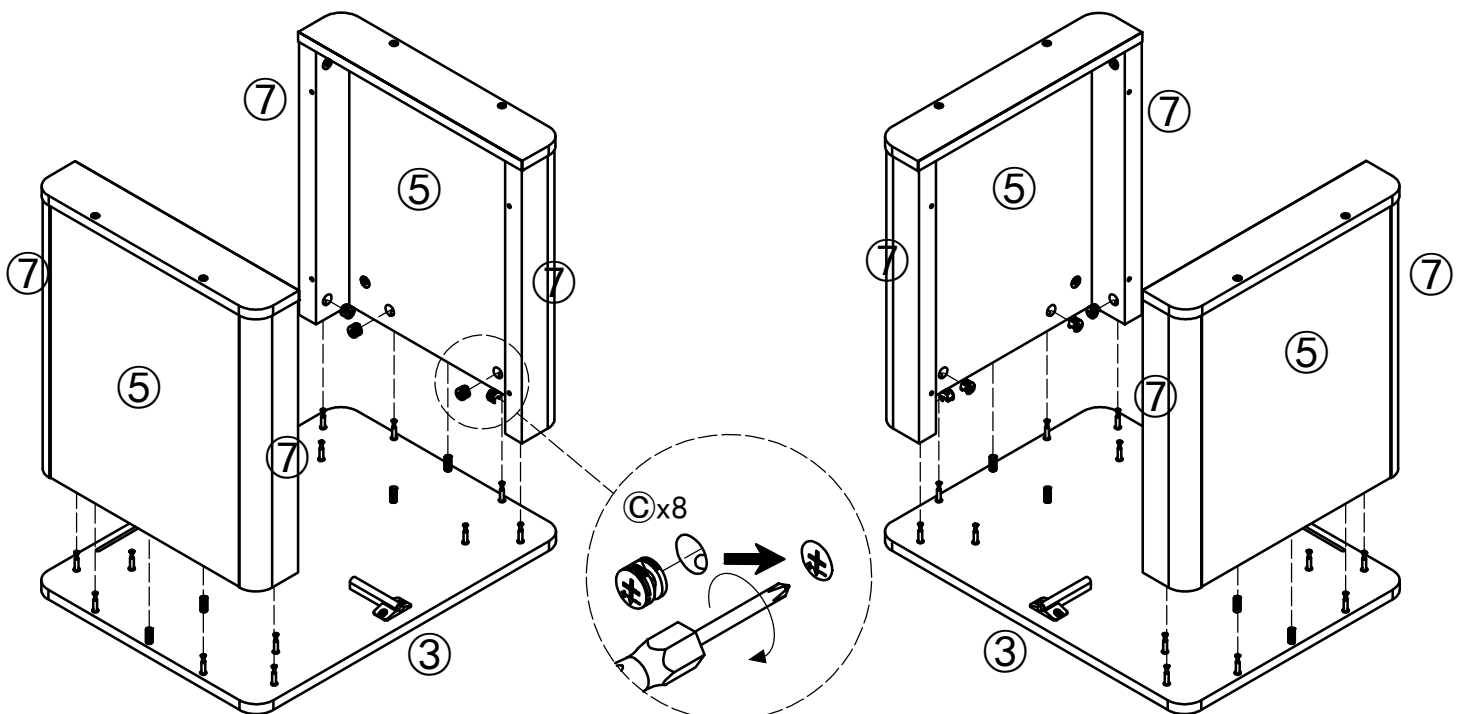
③x4	④x1
 Ø15x10 mm	
⑦x1	⑥x4
	 7x40 mm



Step 8

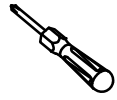


Insert 2 pcs part ⑤&⑦ into part ③. Push 8 pcs hidden cam ③ into the part ⑤&⑦, the ARROW in the hidden cam ③ must point to cam screw ② before inserting to the hidden cam holes. Then tighten hidden cam ③ by using phillips screwdriver ④.

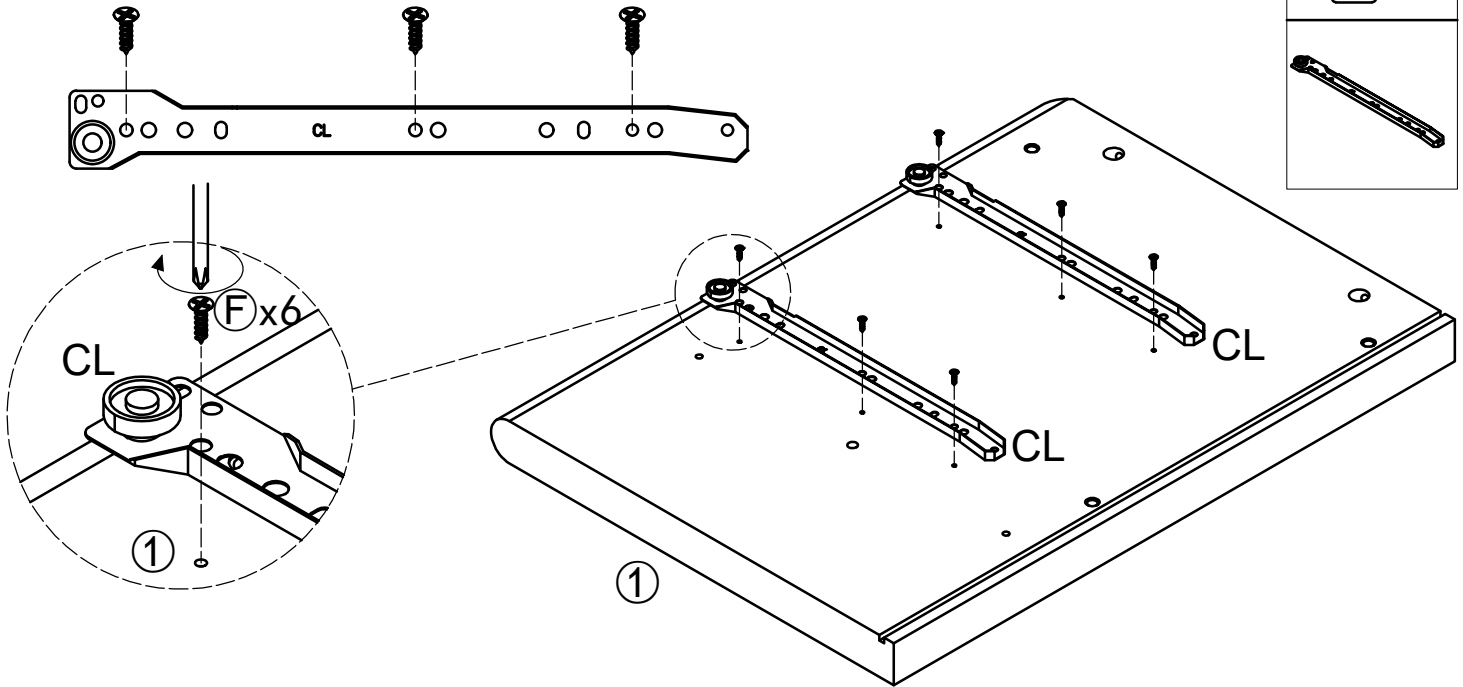
③x8	④x1
 Ø15x10 mm	



Step 9

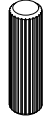

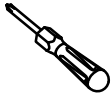
Place the part ① according to the diagram below. make sure the groove is on the RIGHT SIDE. then attached 2 pcs drawer slide **CL** to the part ①, the wheel of drawer slide **CL** MUST be on the LEFT end, fully tighten by using 6 pcs self tapping screw **F** and phillips screwdriver **D**.

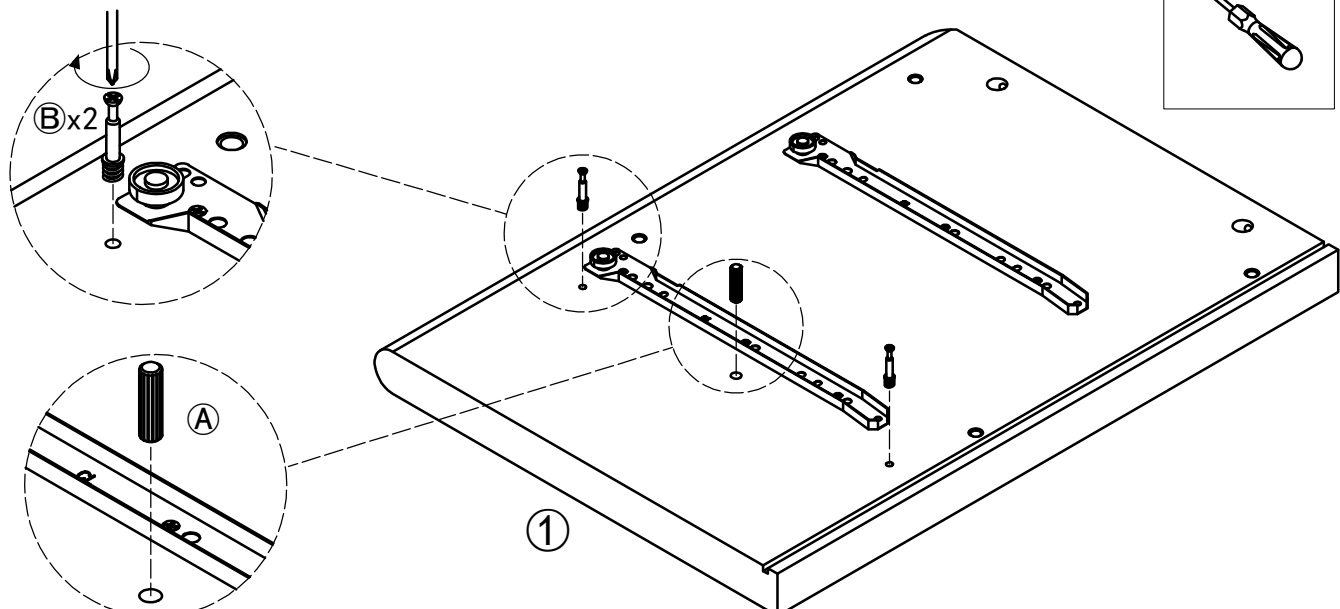
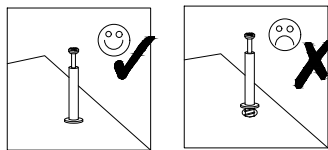
D x1	F x6
	 3x12 mm
	CL x2
	



Step 10

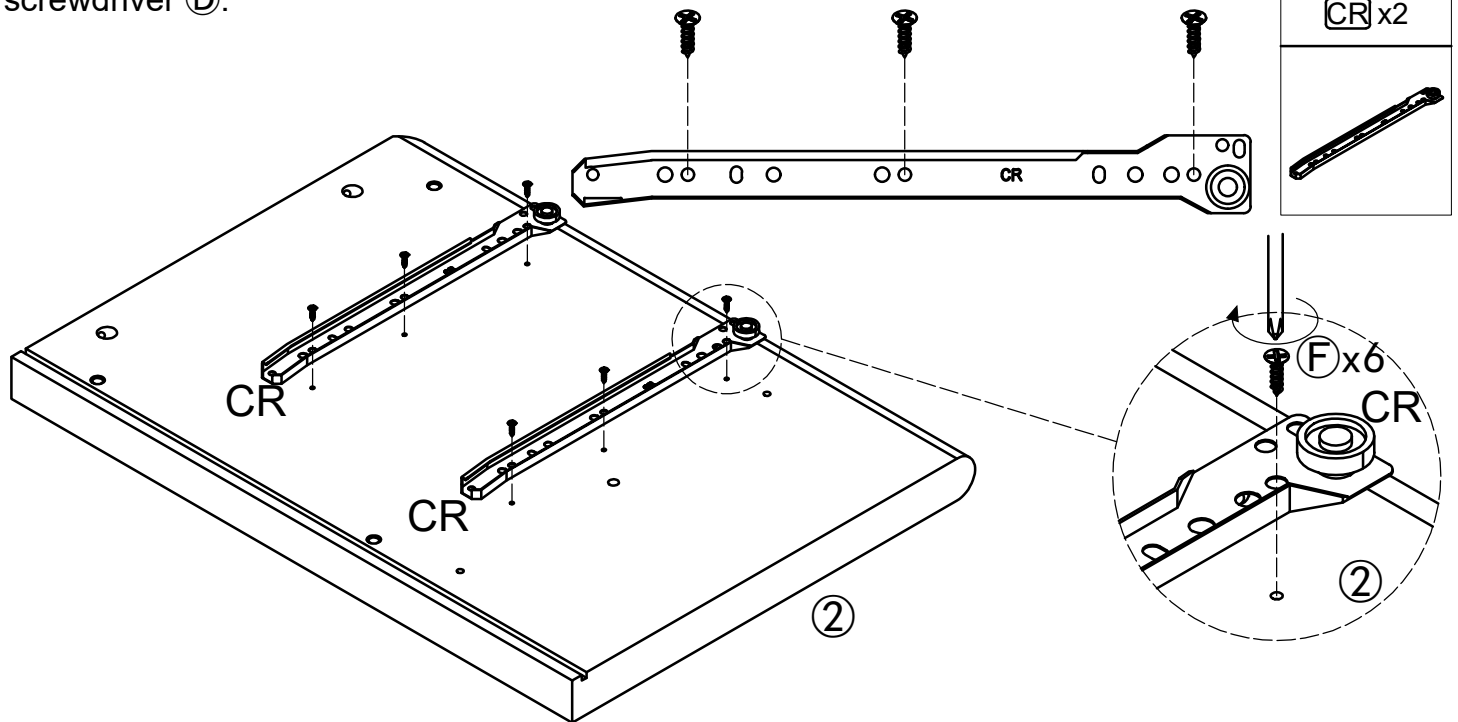
Fully tighten 2 pcs cam screw **B** to part ①, fix by using phillips screwdriver **D**. Tighten until the shoulder is against the surface of the board. Then insert 1 pc wood dowel **A** to part ①.

A x1	B x2
 Ø8x30 mm	 Ø6x35 mm
	D x1
	



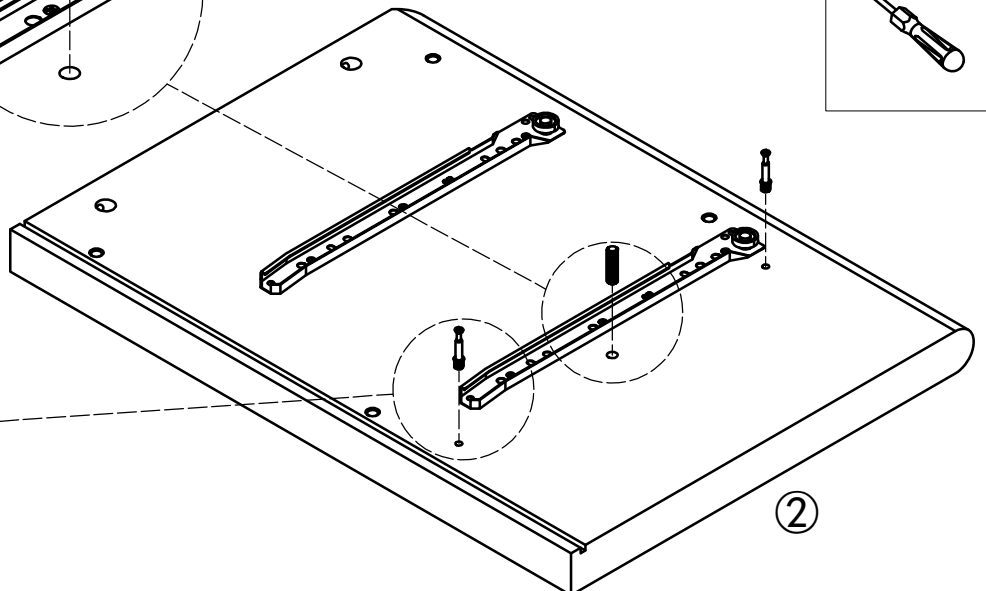
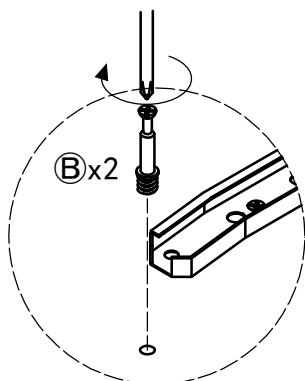
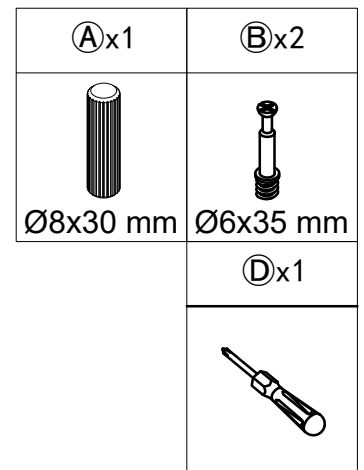
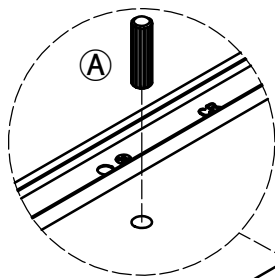
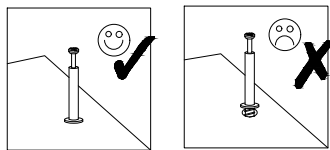
Step 11

Place the part ② according to the diagram below. make sure the groove is on the LEFT SIDE. then attached 2 pcs drawer slide **CR** to the part ②, the wheel of drawer slide **CR** MUST be on the RIGHT end, fully tighten by using 6 pcs self tapping screw **F** and phillips screwdriver **D**.



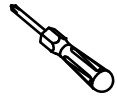


Step 12

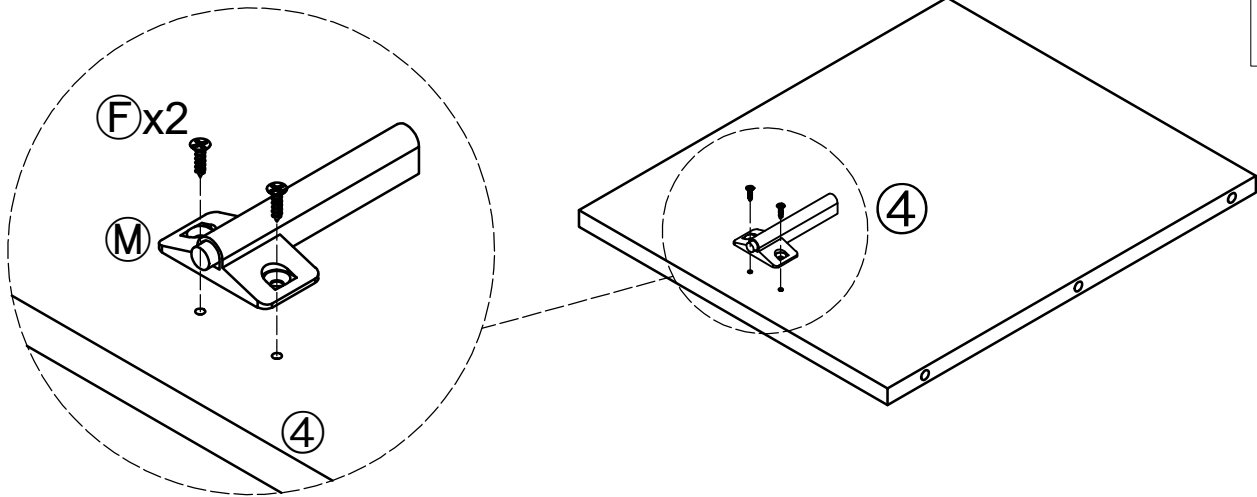
Fully tighten 2 pcs cam screw **B** to part ②, fix by using phillips screwdriver **D**. Tighten until the shoulder is against the surface of the board. Then insert 1 pc wood dowel **A** to part ②.



Step 13


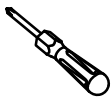
Attached 1 pc push latch (M) to the 2 partially pre-drilled holes of part (4), fully tighten by using 2 pcs self tapping screw (F) and phillips screwdriver (D).

(D)x1	(F)x2
	 3x12 mm
	(M)x1
	

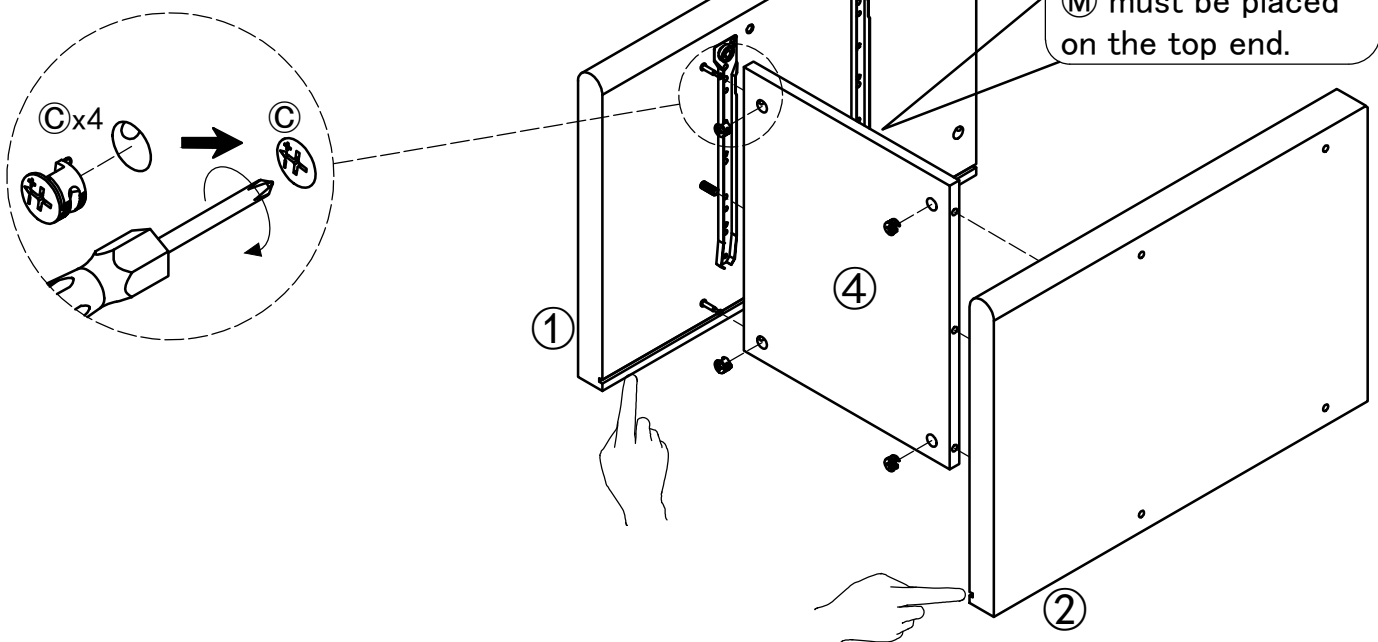


Step 14

Insert part (1) and part (2) into part (4). Push 4 pcs hidden cam (C) into the part (4), the ARROW in the hidden cam (C) must point to cam screw (B) before inserting to the hidden cam holes. Then tighten hidden cam (C) by using phillips screwdriver (D).

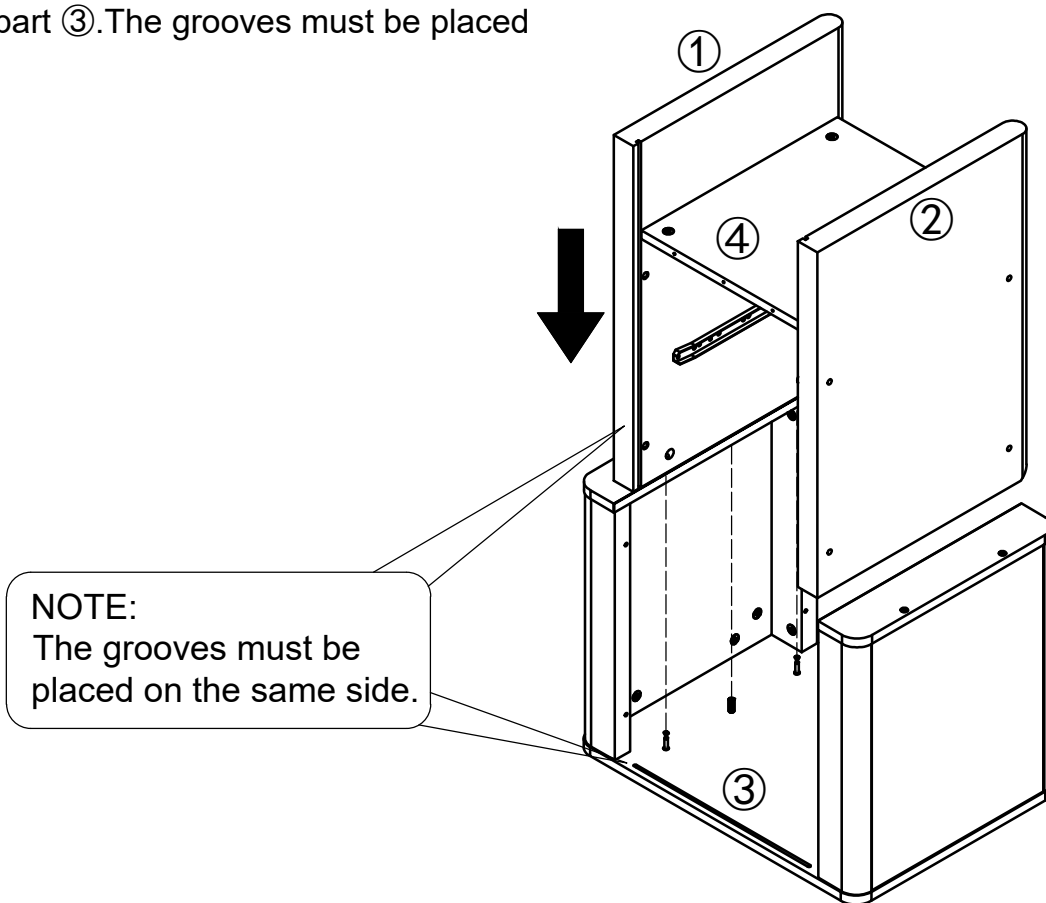
(C)x4	(D)x1
 Ø15x10 mm	

NOTE: Push latch (M) must be placed on the top end.



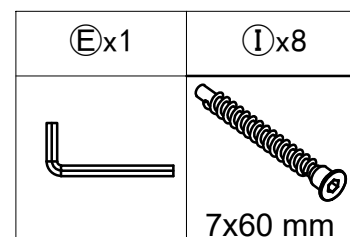
Step 15

Insert part ①&② into part ③. The grooves must be placed on the same side.

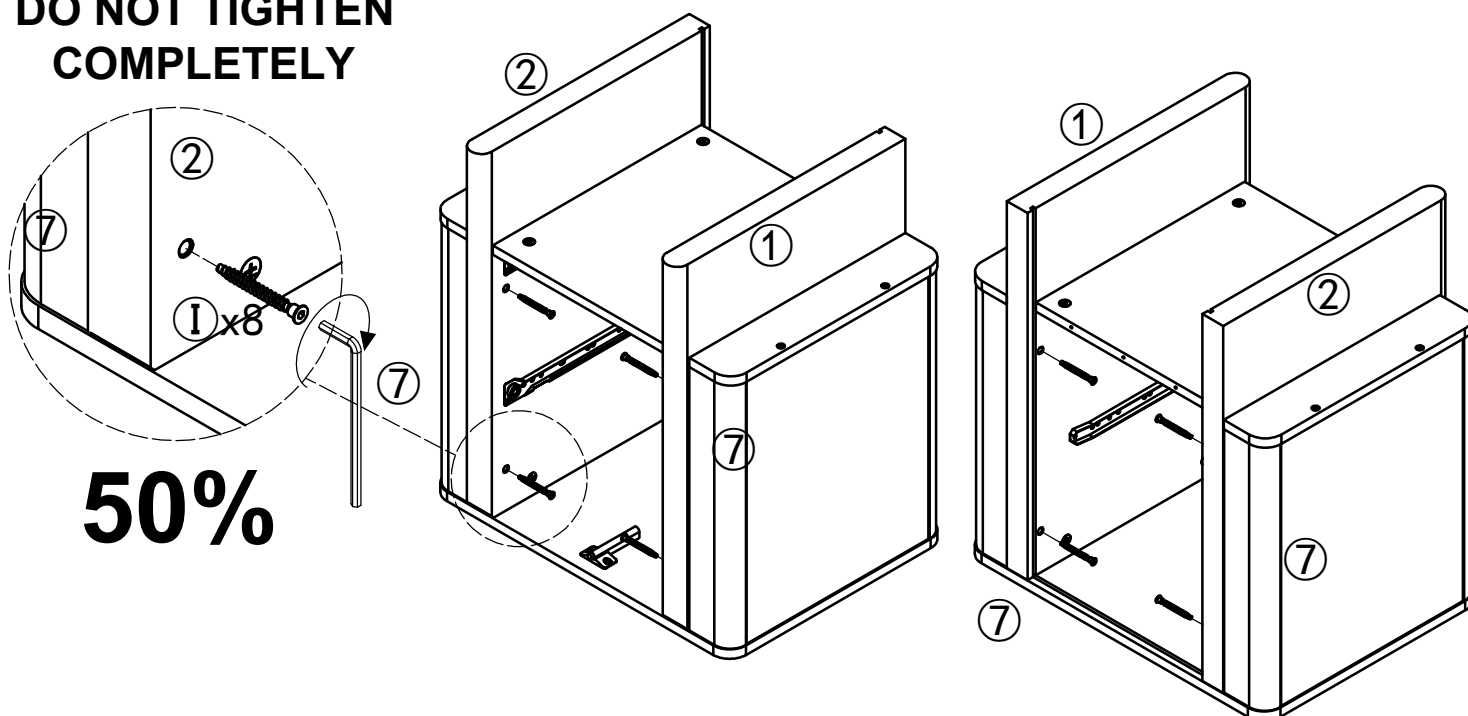


Step 16

Fix part ①&② to 4 pcs part ⑦ by using 8 pcs hex head self tapping screw ① and allen key ②. DO NOT TIGHTEN COMPLETELY.

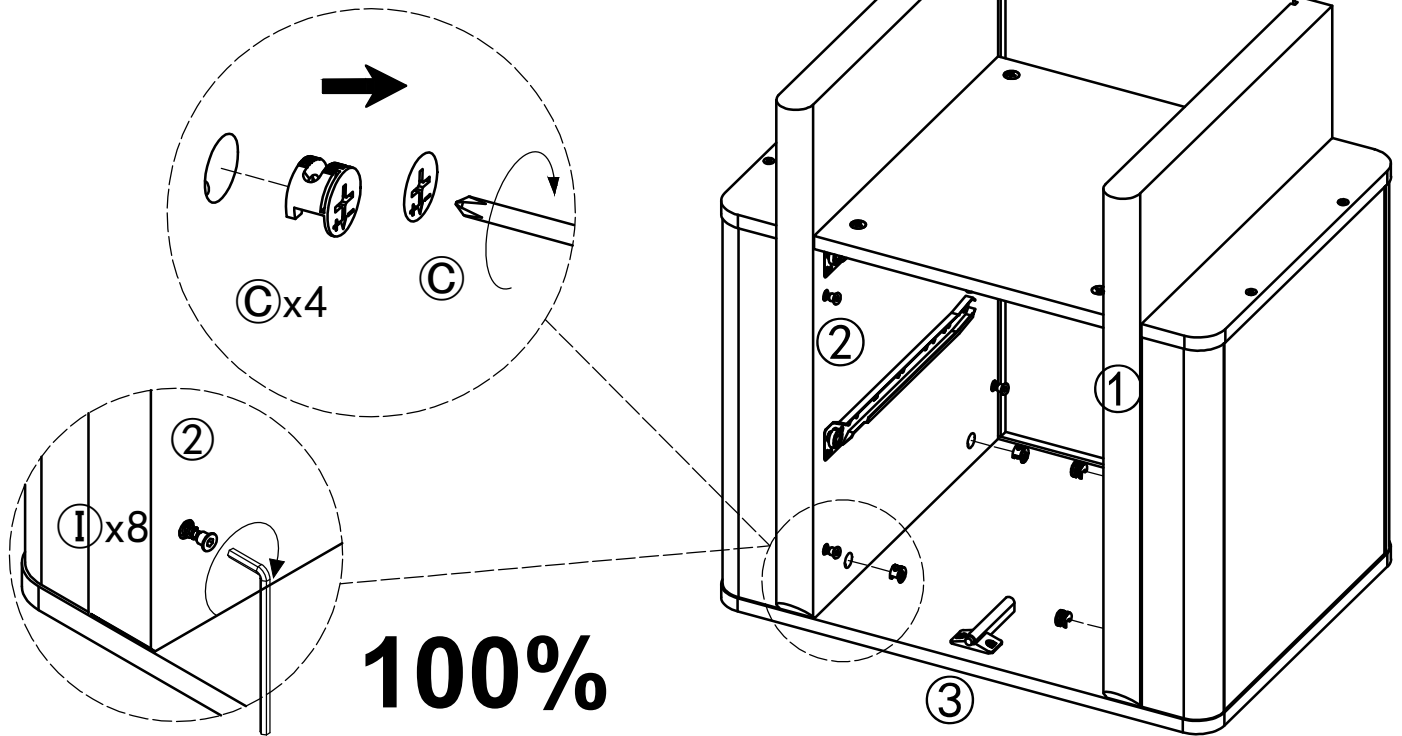
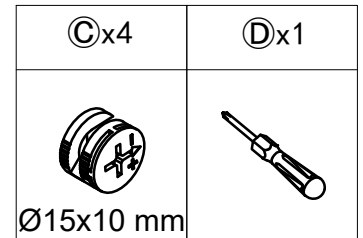


DO NOT TIGHTEN COMPLETELY



Step 17

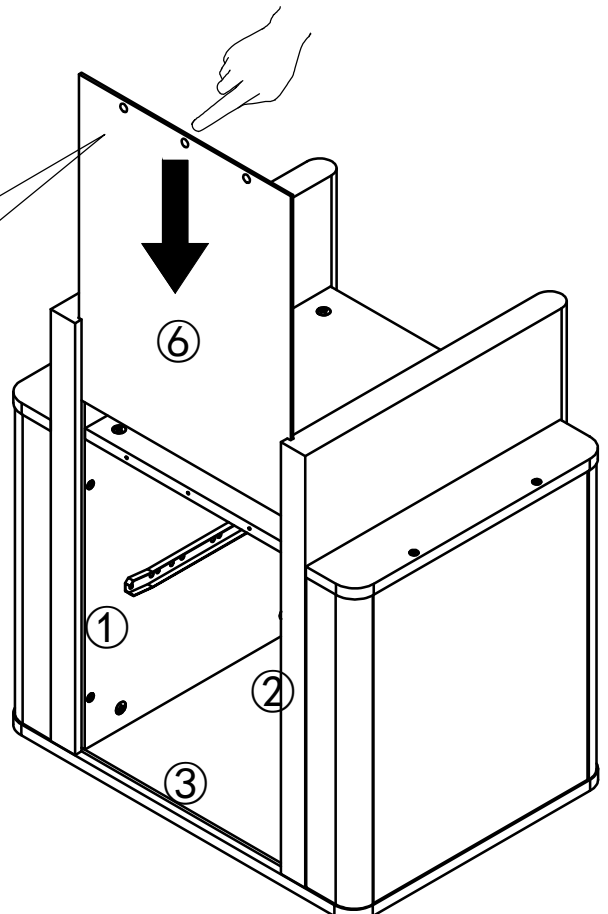
Push 4 pcs hidden cam **C** into the part **1**&**2**, the ARROW in the hidden cam **C** must point to cam screw **B** before inserting to the hidden cam holes. Then tighten hidden cam **C** by using phillips screwdriver **D**.



Step 18


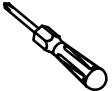
Insert part **6** among part **1**&**2**. These holes must be placed on the top side.

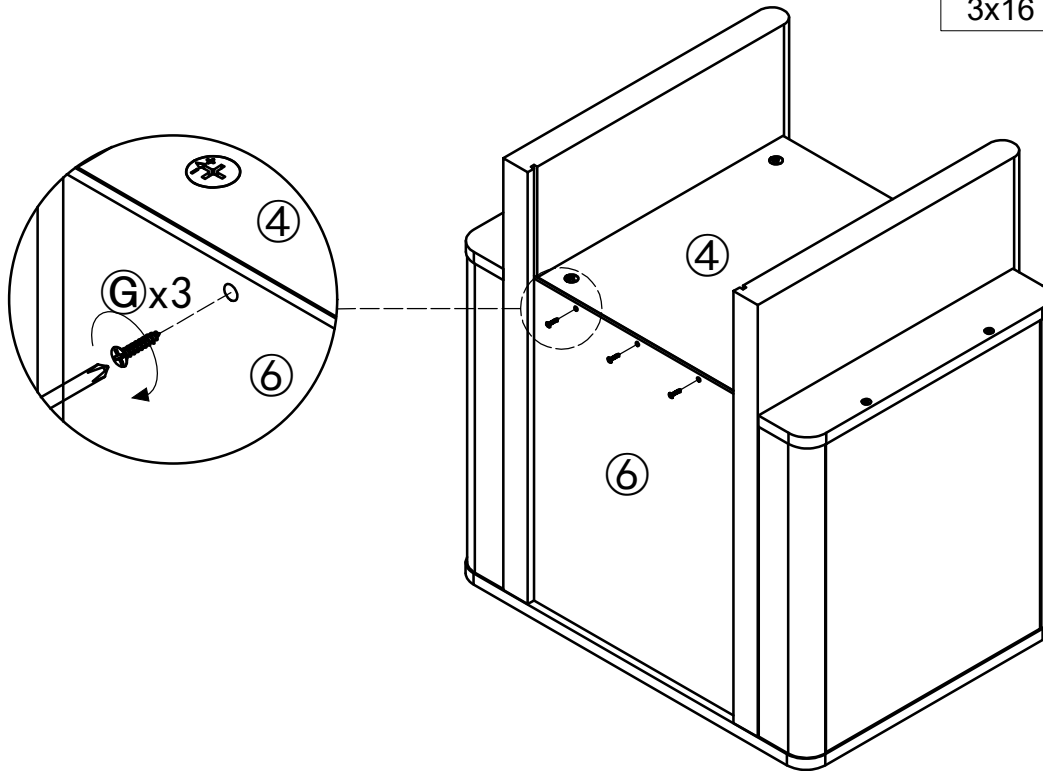
NOTE:
These holes must be placed on the top side.



Step 19

Fix part ⑥ to part ④ by using 3 pcs self tapping screw ③ and phillips screwdriver ④.




③x3	④x1
	
3x16 mm	

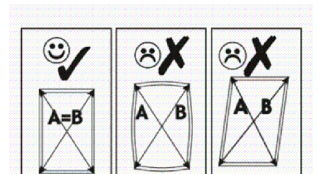
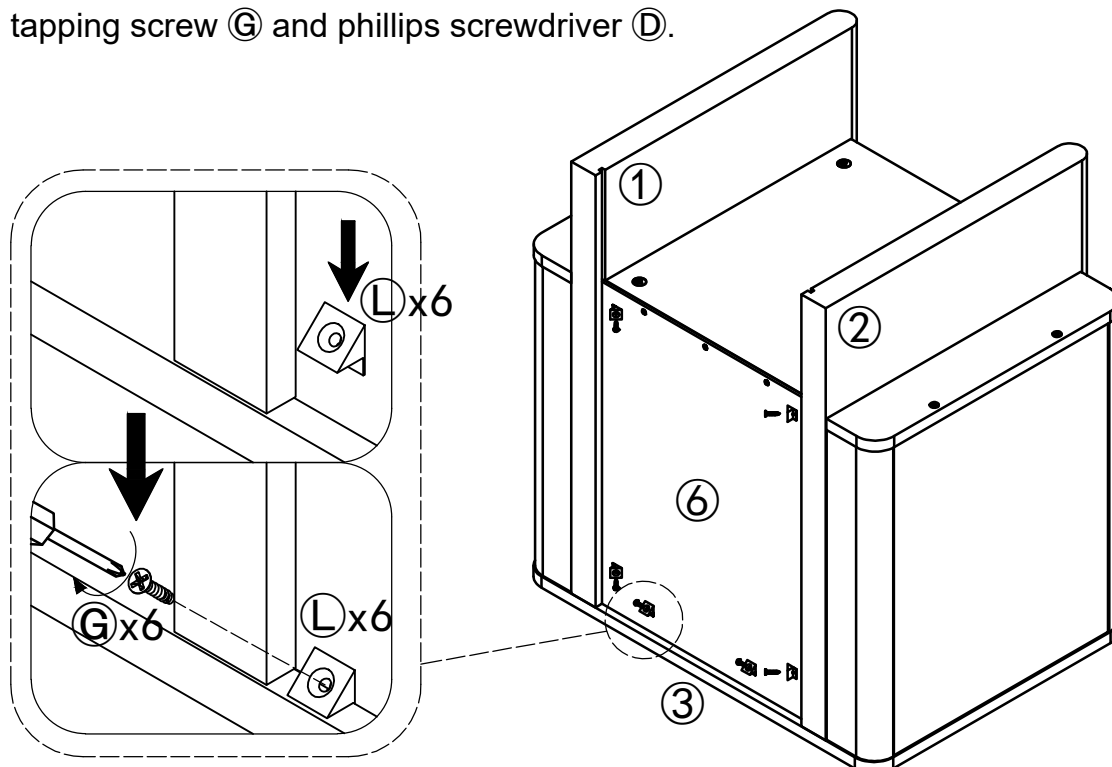


Step 20

ATTENTION PLEASE :Please ensure the structure is straight and level and all panels are at right angles before installing the back buckles, **MUST** install back buckles to strengthen product stability.

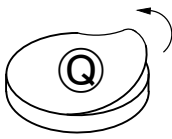
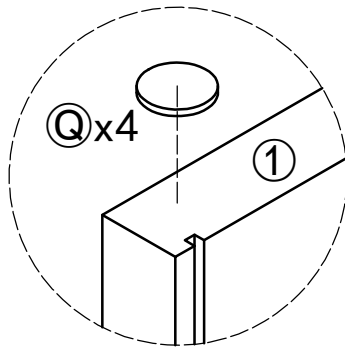
Attached 6 pcs back plate fastener ⑤ to cabinet, fix by using 6 pcs self tapping screw ③ and phillips screwdriver ④.

④x1	③x6
	
	3x16 mm
	⑤x6
	

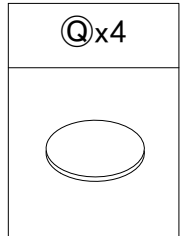
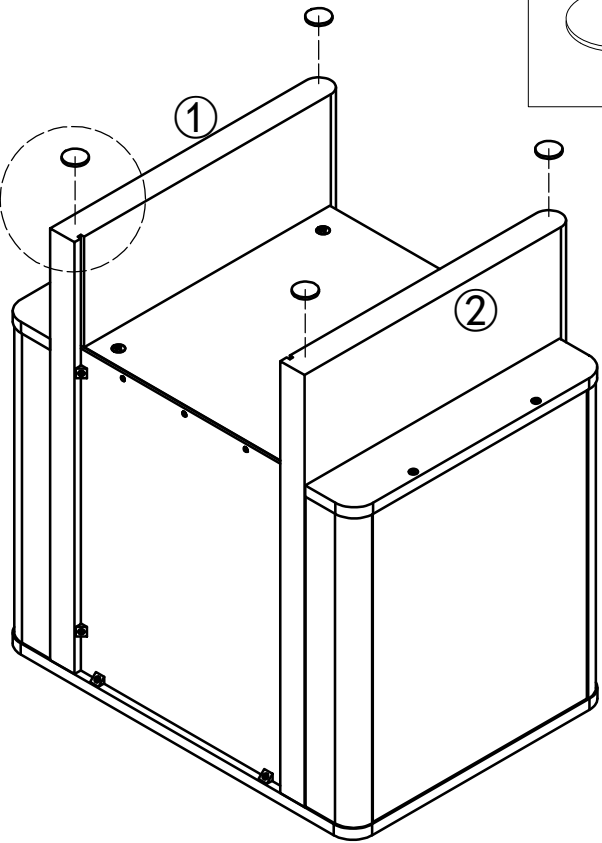


Step 21

Peel off the protective film, Then stick 4 pcs felt pad **Q** onto the part **1**&**2**.

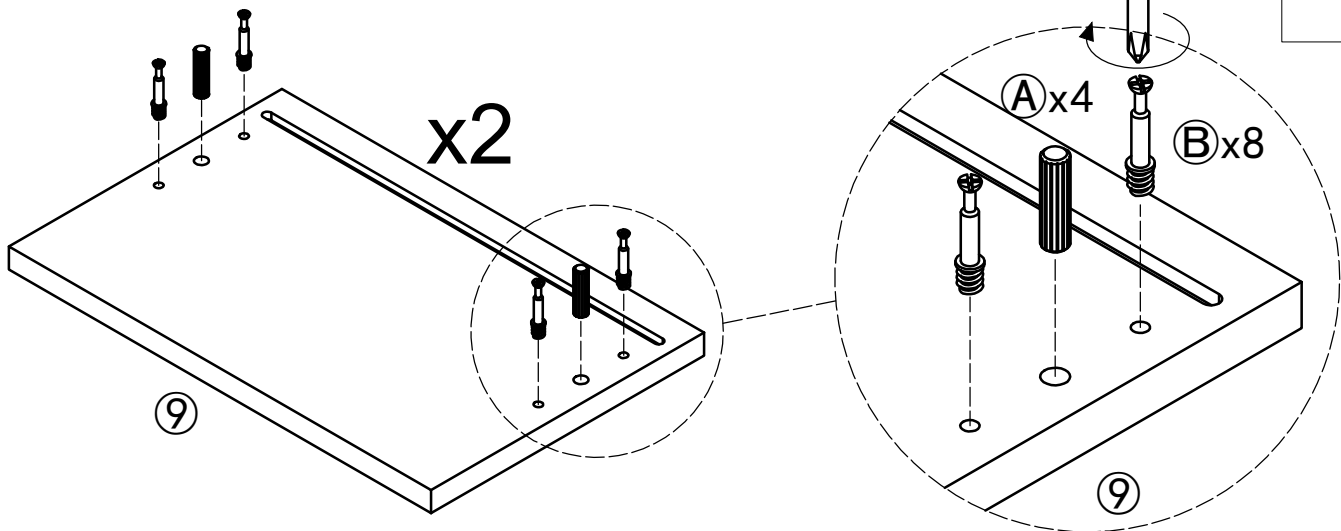
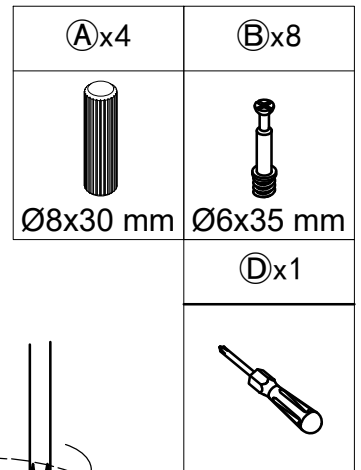
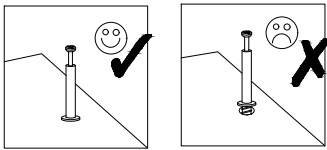


Peel off the protective film.



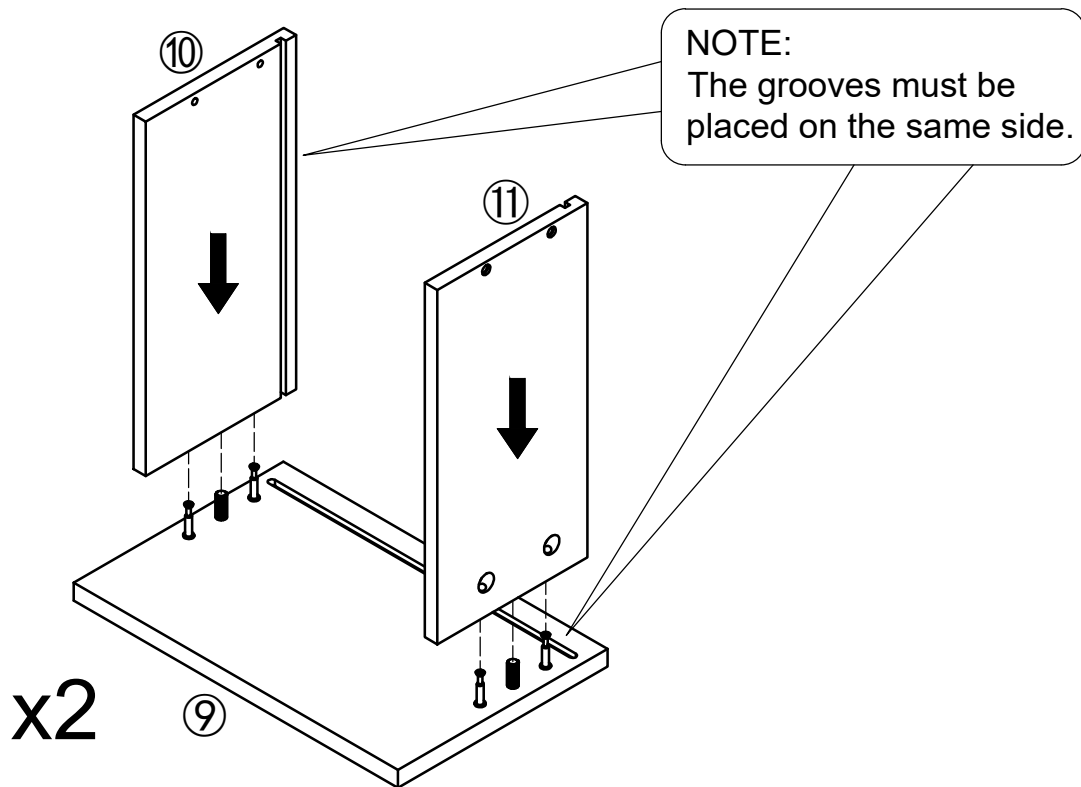
Step 22

Fully tighten 8 pcs cam screw **B** to 2 pcs part **9**, fix by using phillips screwdriver **D**. Tighten until the shoulder is against the surface of the board. Then insert 4 pcs wood dowel **A** to 2 pcs part **9**.



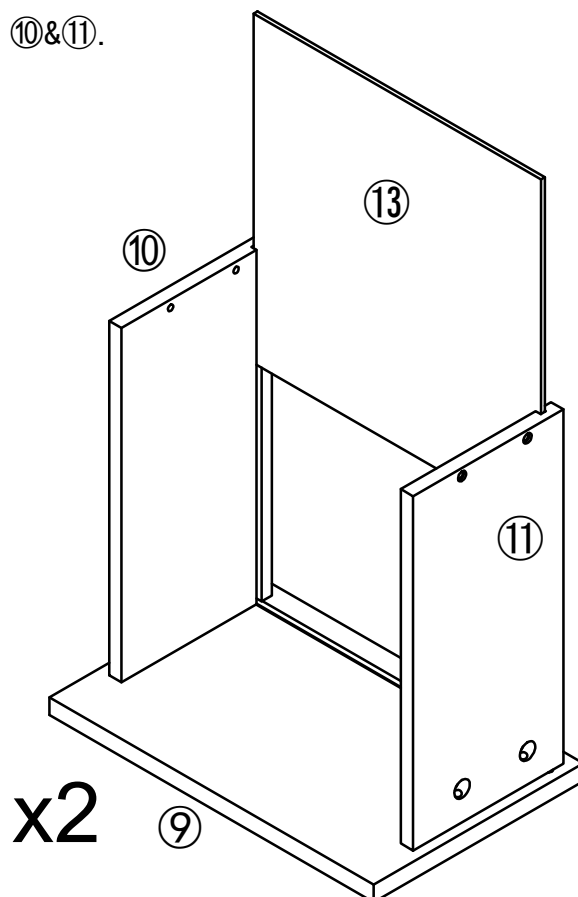
Step 23

Insert 2 pcs part ⑩ and part ⑪ into 2 pcs part ⑨.




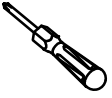
Step 24

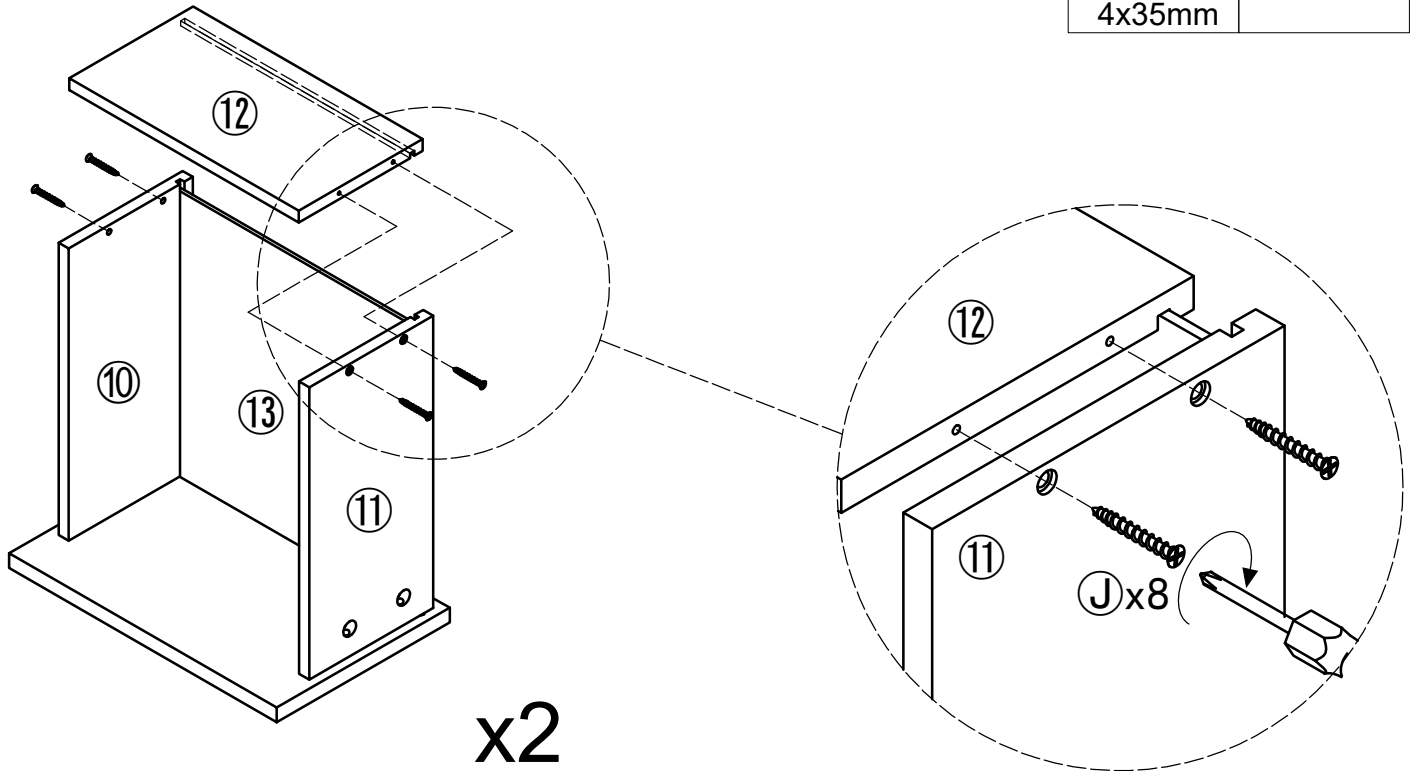
Insert 2 pcs part ⑬ among 2 pcs part ⑩&⑪.



Step 25


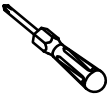
Attached 2 pcs part ⑫ to 2 pcs part ⑩&⑪. Fully tighten part ⑫ to part ⑩&⑪ by using 8 pcs self tapping screw ① and phillips screwdriver ②.

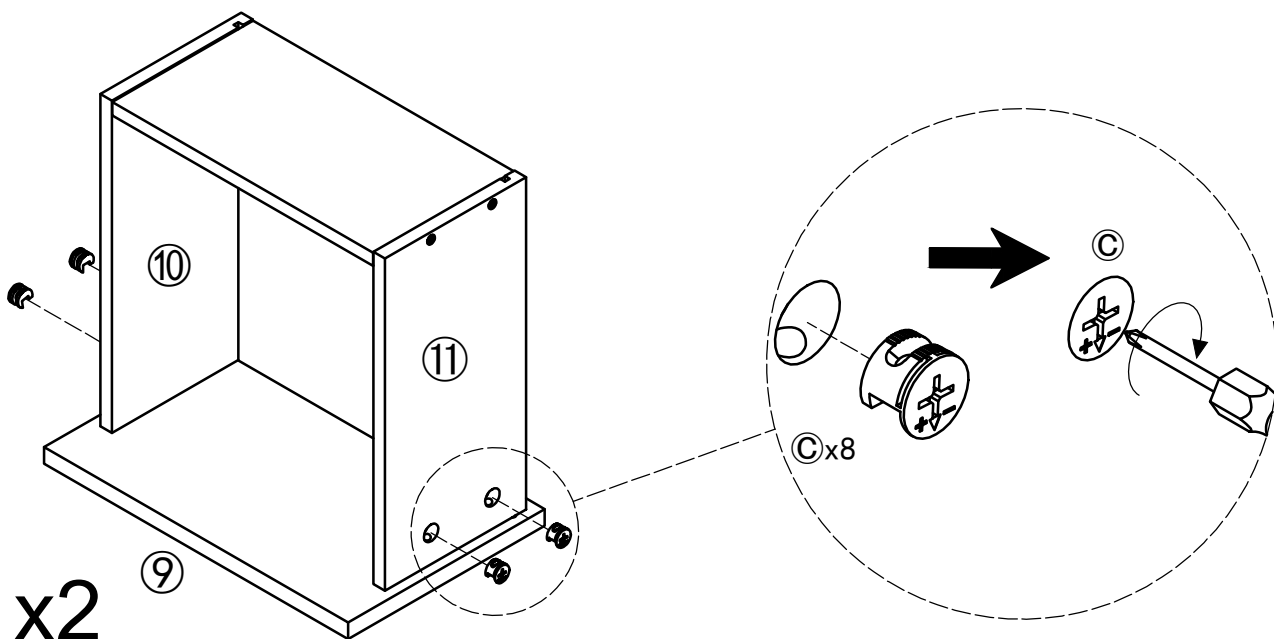
①x8	②x1
	
4x35mm	



Step 26

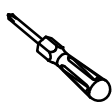

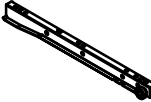

Push 8 pcs hidden cam ③ into the part ⑩&⑪, the ARROW in the hidden cam ③ must point to cam screw ④ before inserting to the hidden cam holes. Then tighten hidden cam ③ by using phillips screwdriver ②.

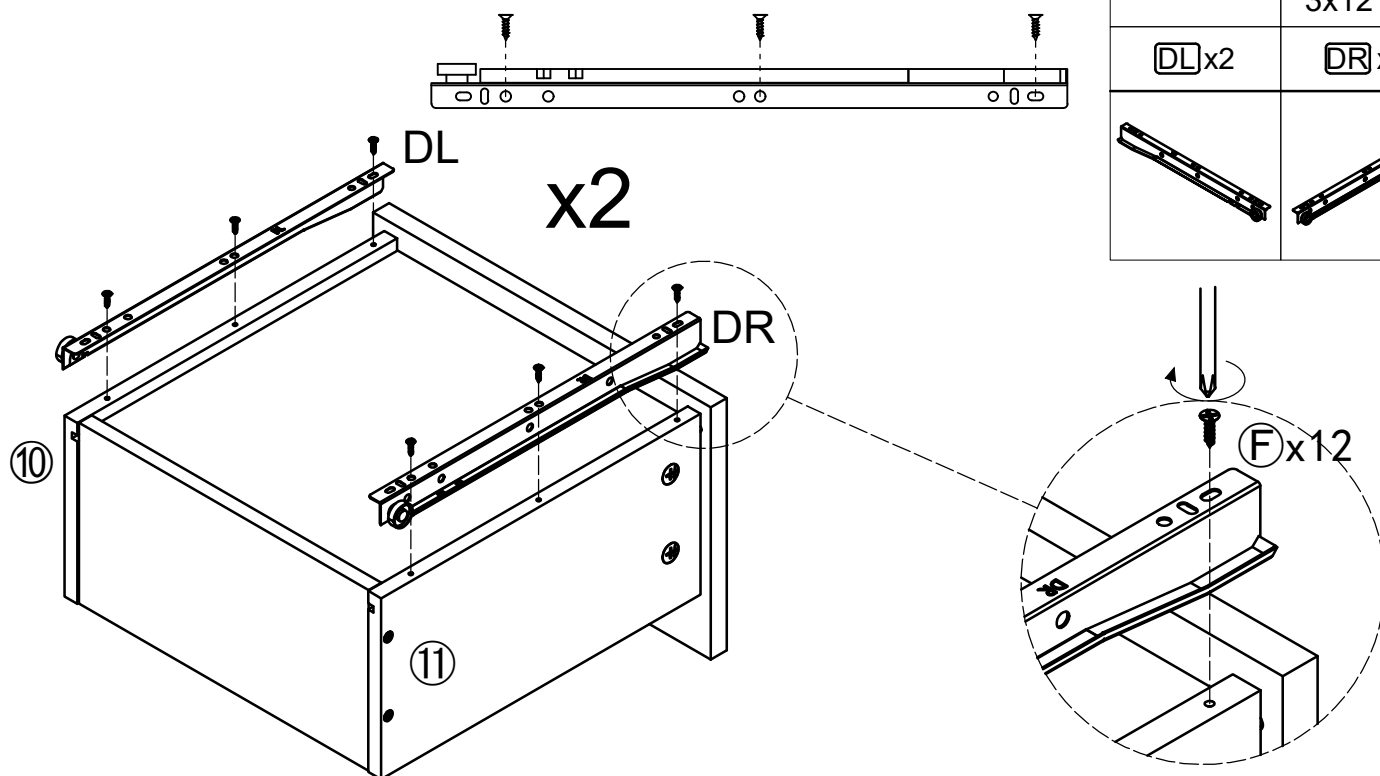
③x8	②x1
	
Ø15x10 mm	



Step 27

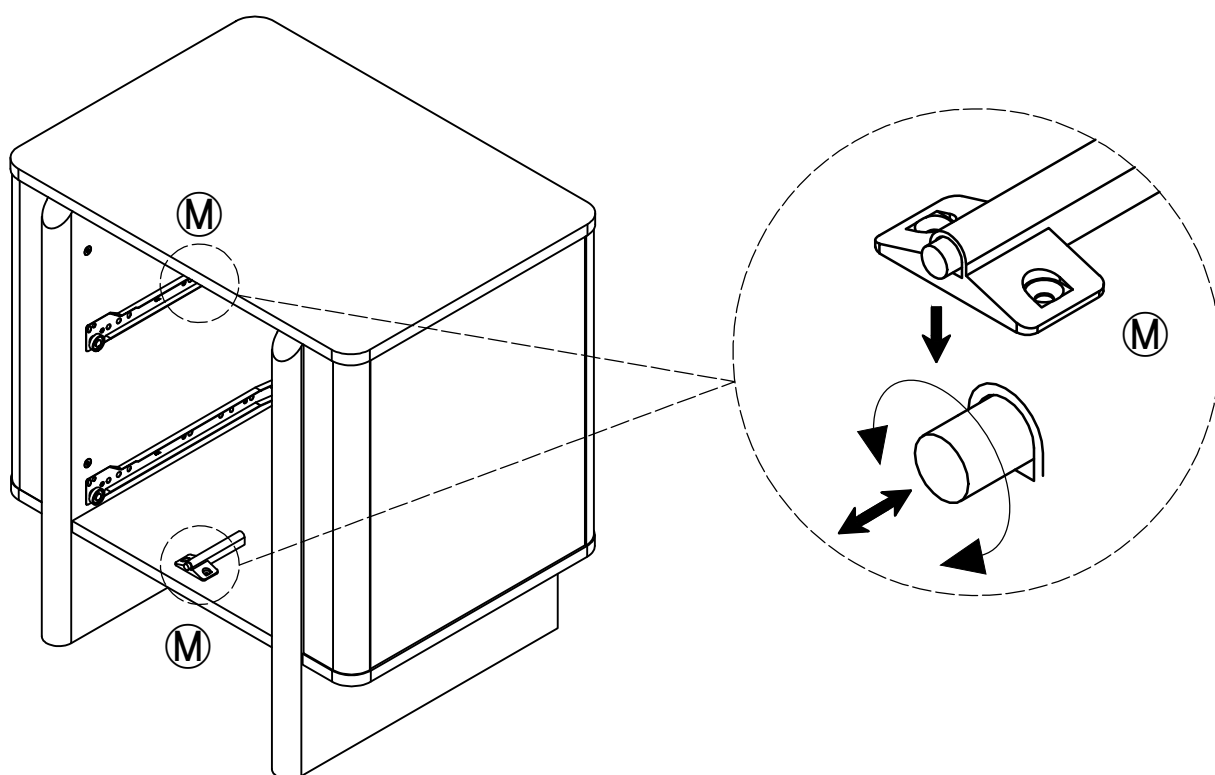
Attach drawer slide **DL** to part **⑩**, then attach drawer slide **DR** to part **⑪**. Fix 2 pcs drawer slide **DL** & **DR** to part **⑩** & **⑪**, fully tighten by using 12 pcs self tapping screw **F** and phillips screwdriver **D**.

D x1	F x12
	 3x12 mm
DL x2	DR x2
	



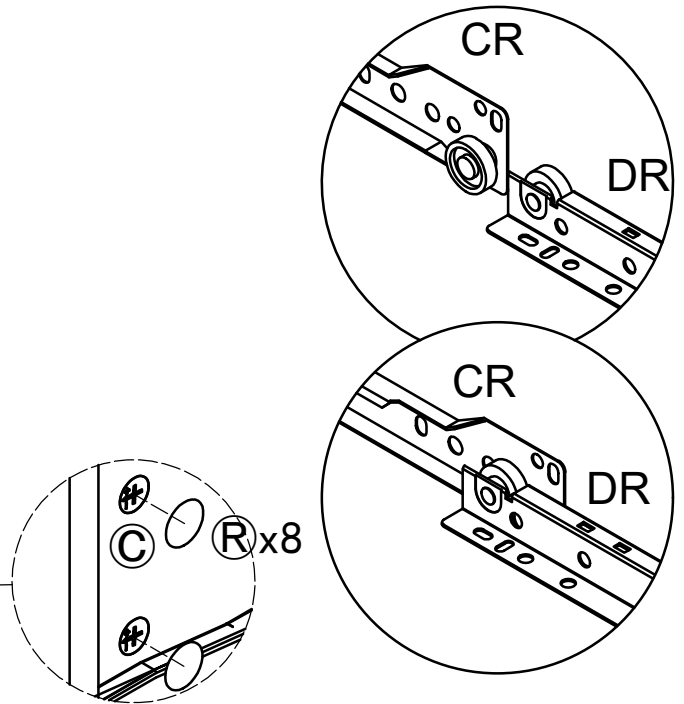
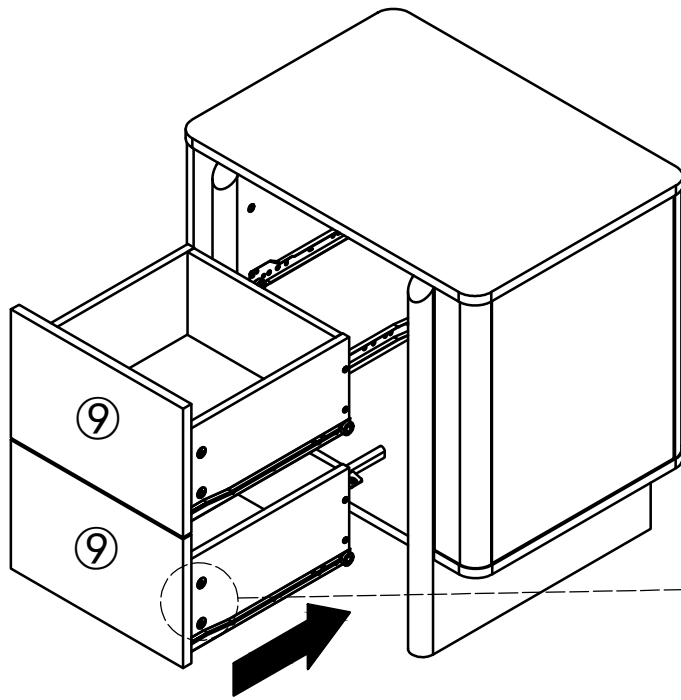
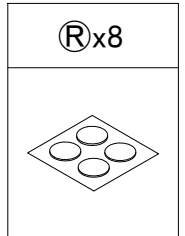
Step 28

The front part of the push latch **M** can be rotated adjusted as needed.



Step 29

Insert drawer into cabinet, line up the SLIDES **DL** & **DR** on the drawer with the SLIDES **CL** & **CR** on the cabinet and push the drawer into the cabinet until the drawer is fully inserted. You can cover these holes on the drawer by using hole covers **R** for better appearance.

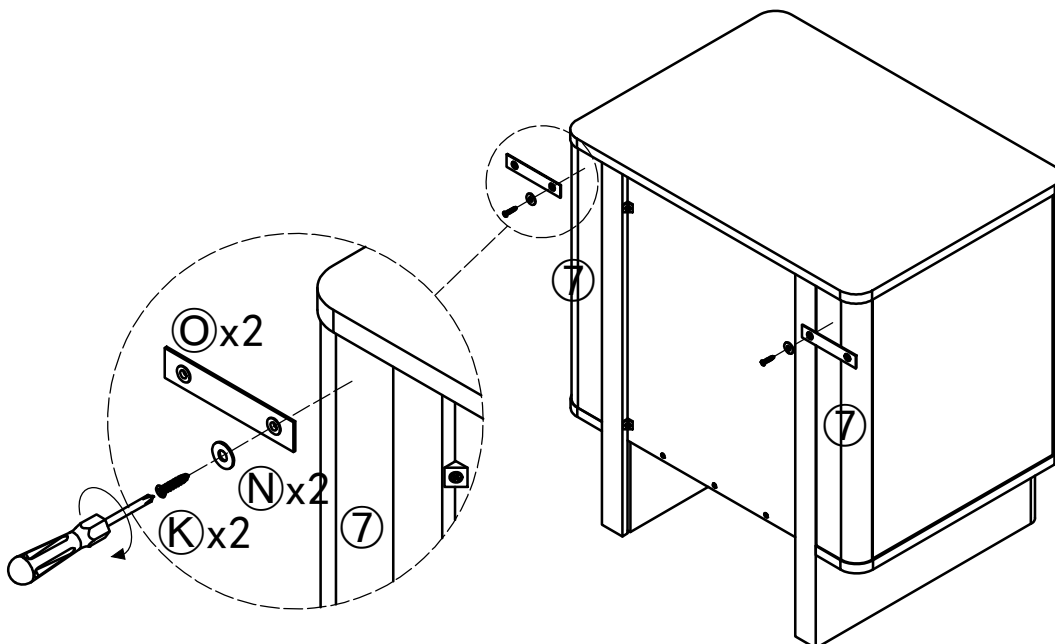


Step 30

Fix the furniture to the wall with the enclosed safety bracket to prevent it from tipping over.

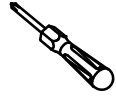



Attached 2 pcs anti-tip strap **O** to part **7**, fix by using 2 pcs self tapping screw **K**, metal gasket **N** and phillips screwdriver **D**.

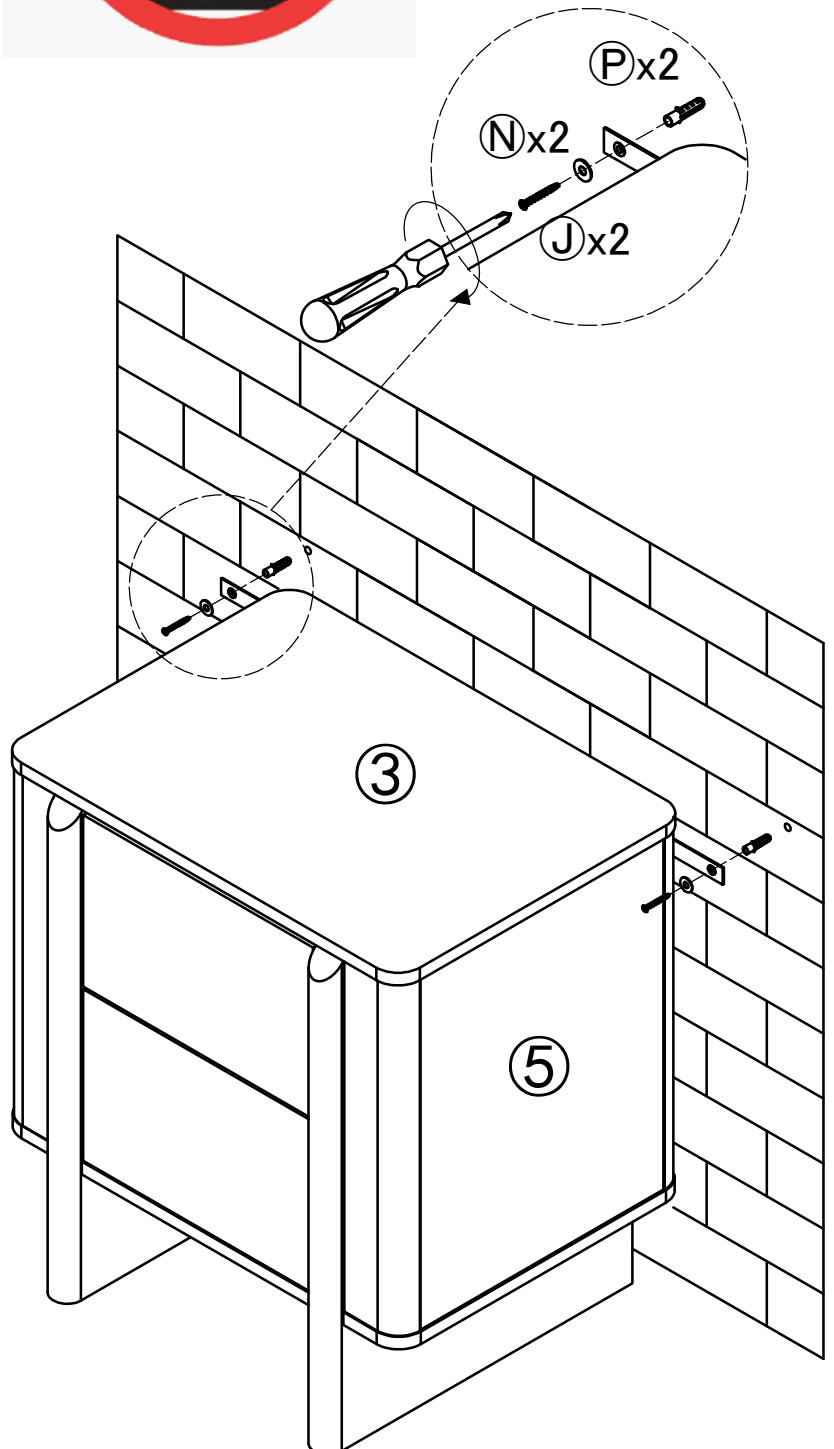
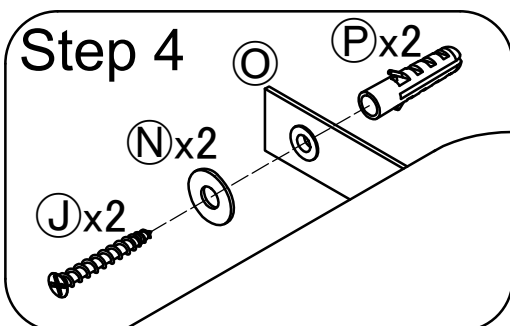
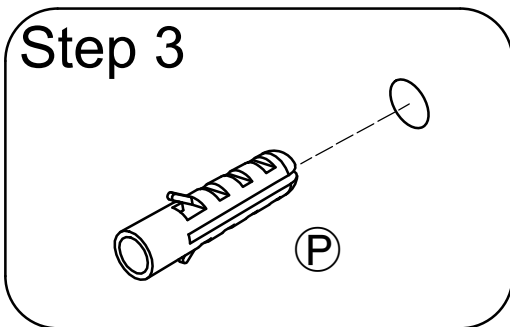
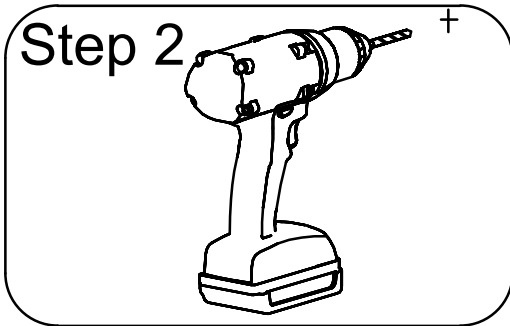
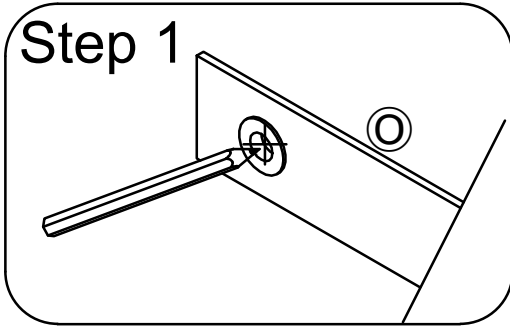
D x1	K x2
	4x22mm
N x2	O x2



Step 31

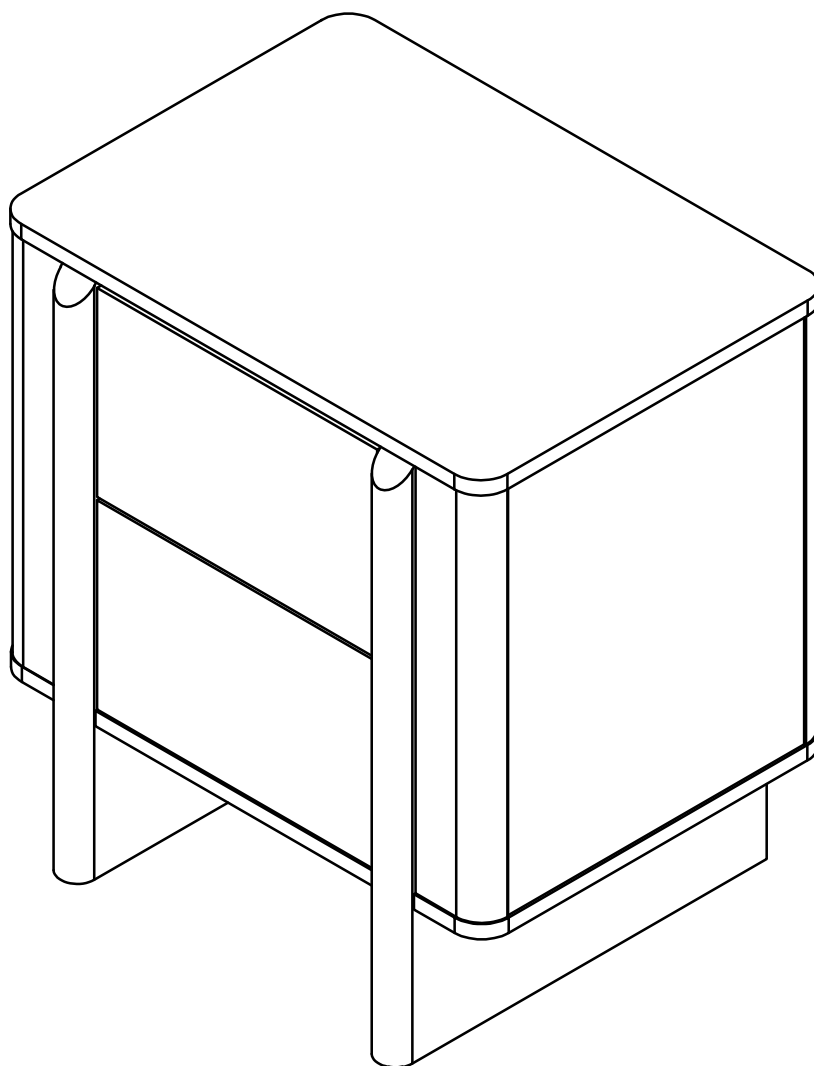
Drill holes at marked spot with a drill bit. Carefully hammer in the plastic anchors (P). Attached the anti-tip strap (O) to plastic anchors (P), fix by using 2 pcs self tapping screws (J), metal gasket (N) and phillips screwdriver (D).

Dx1	Nx2
	
Jx2	Px2
 4x35mm	



VOILA!

Now enjoy.



Warning

DO NOT climb sit or stand on the Cabinet as this may damage the product and cause serious bodily injury.

Something not right?

We are always here to help.

We make mistakes like every human does.

Though we always strive to provide the best possible products at competitive prices and the best service in the industry, it's not possible to completely eliminate mistakes. If you experience any dissatisfaction, feel free to contact us immediately. Our in-house customer care team will respond ASAP.



customerservice@luxenhome.com
Get response within 24 hrs



909.548.6688
Mon-Fri 9am-5pm PST/PDT



www.luxenhome.com/help
Submit a ticket on our website

Things to do to expedite the process

- Have your order# ready
- Take photos/videos to help us better identify the issues
- DO NOT throw away the packaging

Happy with our product?

Leave us a review

It really help us as a small business

- Find the product you purchased on our website (tip: search by SKU) and leave us a review.
- Alternatively, you can always return to the marketplace where you purchased it and leave a review there.

Share with others

Our customers look for REAL stuff



- Follow us on IG @luxen.home
- Share your #liveluxen moments



**Please save this manual
for future reference.**