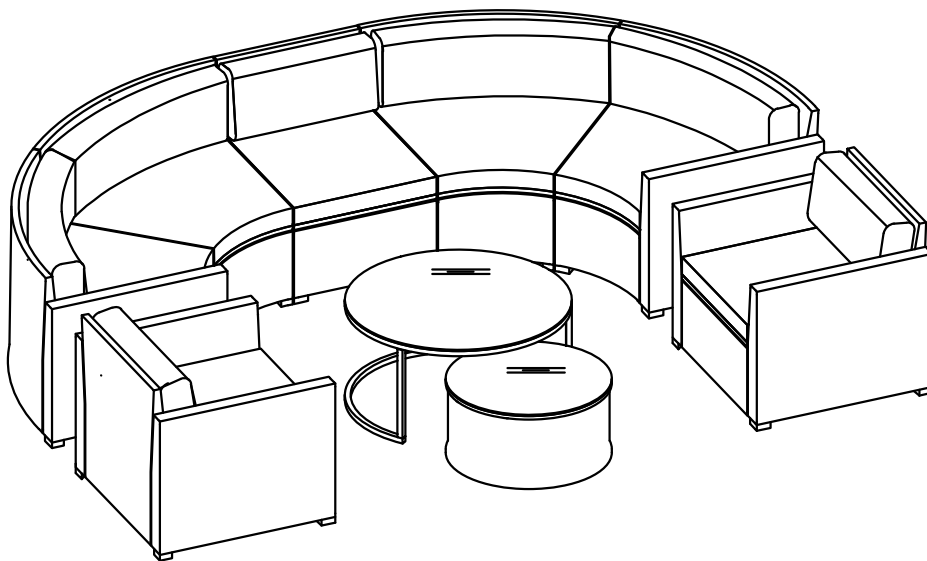


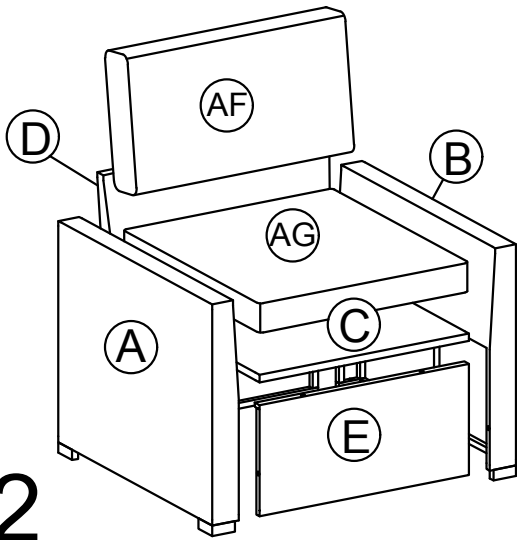
ASSEMBLY INSTRUCTION

PATIO FURNITURE SETS

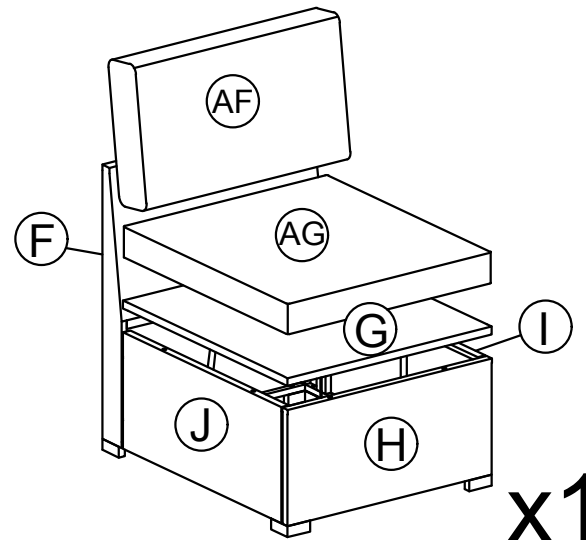


Notice:

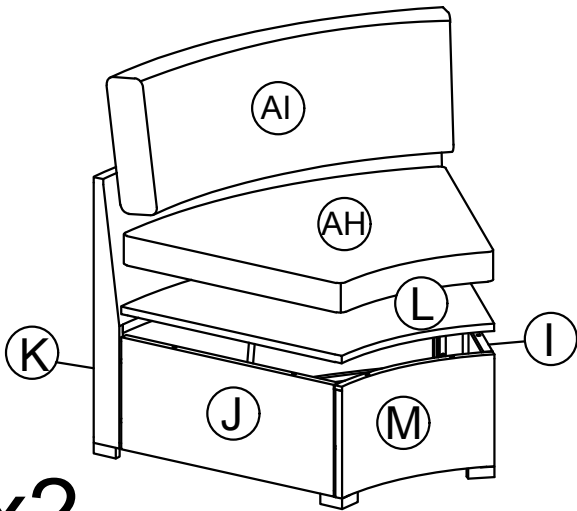
1. 50% Tighten before fixing all screws, Allen wrench is recommended instead of an electric drill.
2. Place the item on a flat ground to adjust and make sure it remains stable.
3. Tighten up all screws with tools gradually.
4. If the screws are not aligned with holes during assembly, please loosen all the other screws to 50% and continue the assembly process.
5. If the item is not stable, please loosen all the screws, adjust it on a flat ground and tighten up all screws again.
6. Note : If one or some screws are fully tightened during assembly, chances are the others will not be aligned with holes. In addition, all the holes are designed to be relatively larger to provide more space for the adjustment of the screws.



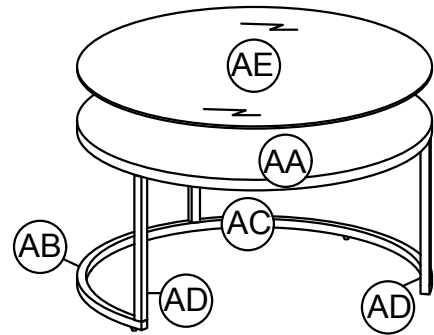
x2



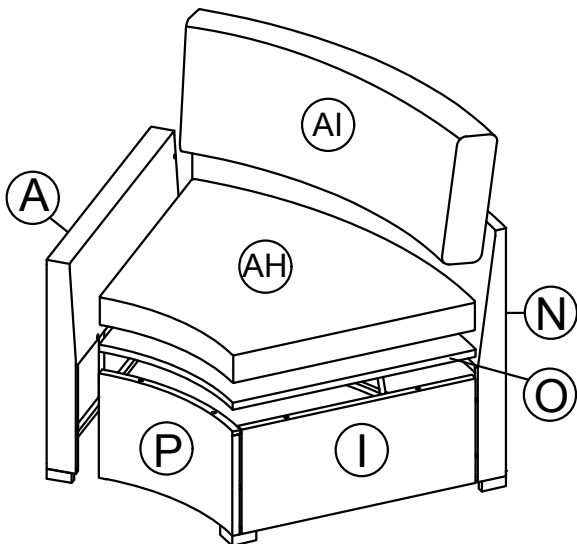
x1



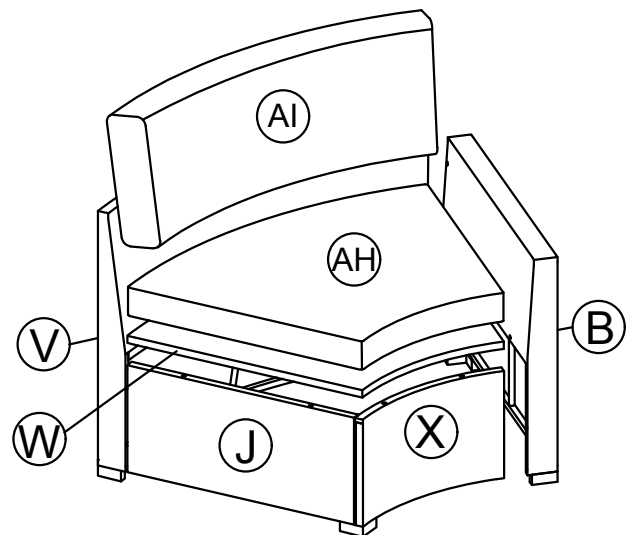
x2



x1

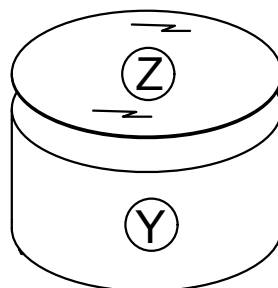


x1

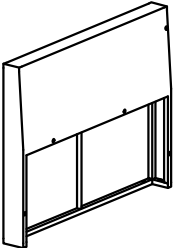
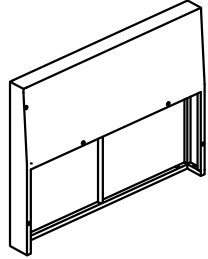
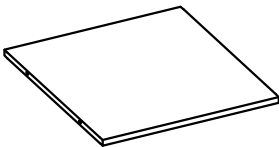
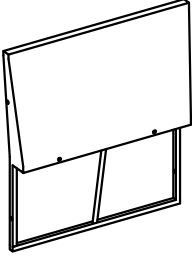
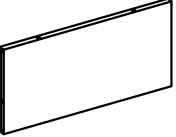
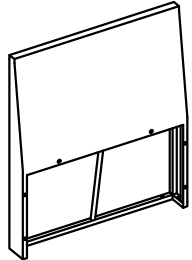
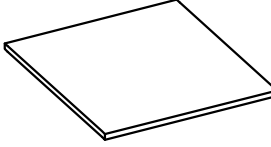
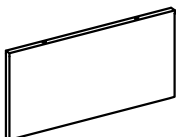
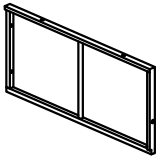
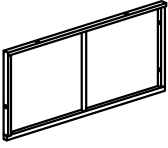
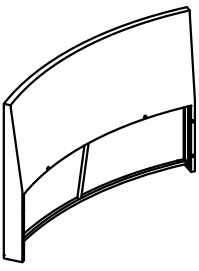
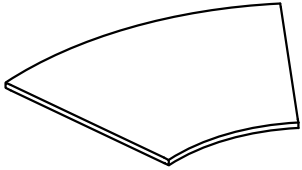
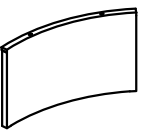
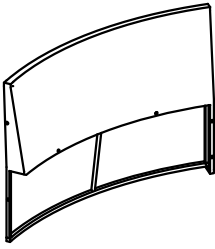
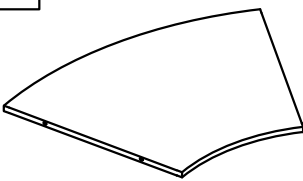
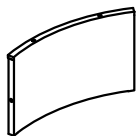
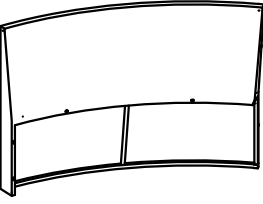
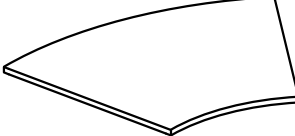
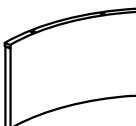
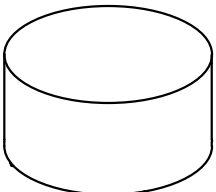


x1

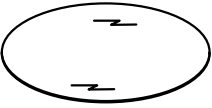
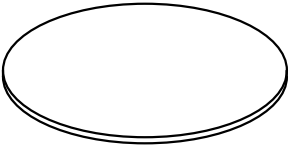
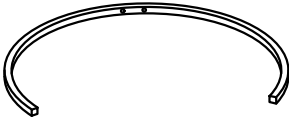


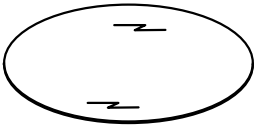
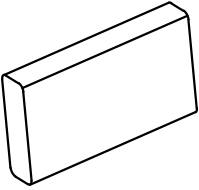
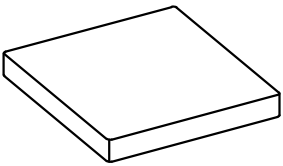
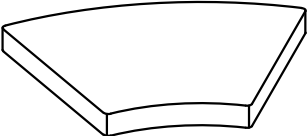



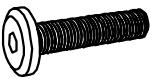


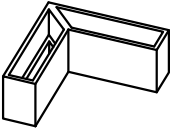
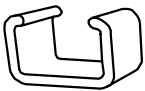

x1



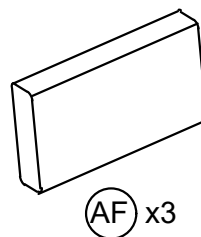
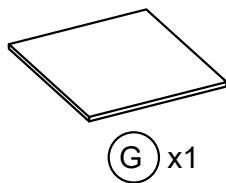
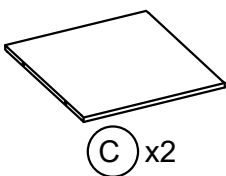
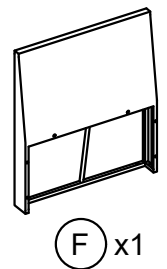
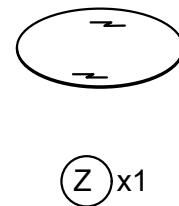
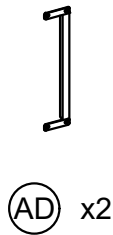
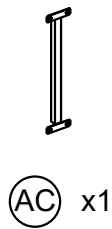
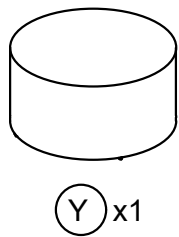
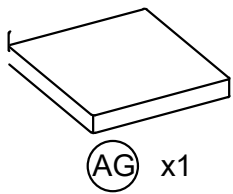
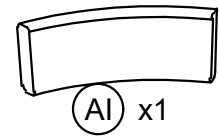
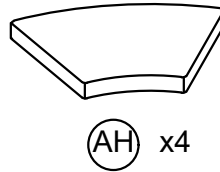
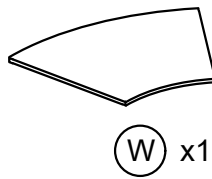
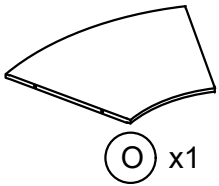
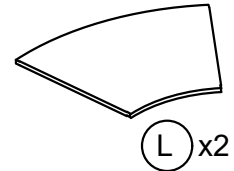
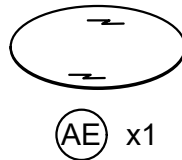
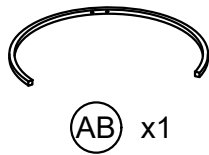
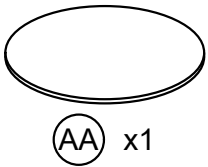
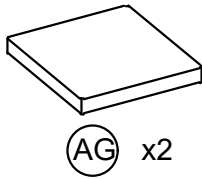
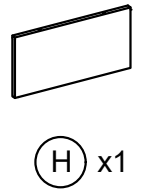
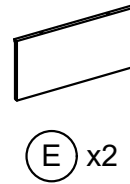
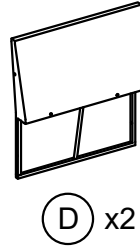
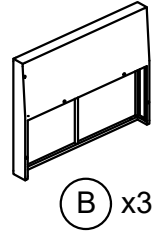
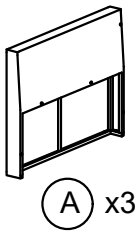
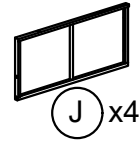
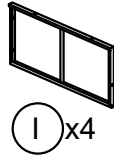
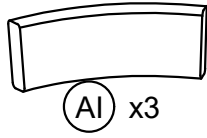
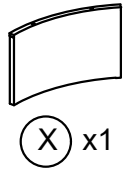
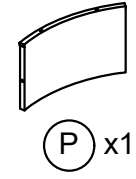
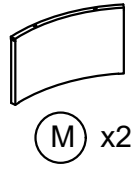
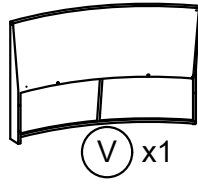
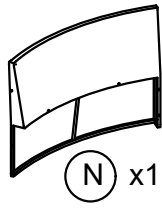
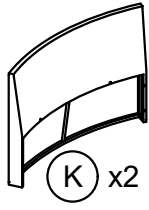
Part List and Hardware

<p>A</p>  <p>Right Armrest (3 pcs)</p>	<p>B</p>  <p>Left Armrest (3 pcs)</p>	<p>C</p>  <p>Seat Single Chair (2 pcs)</p>	<p>D</p>  <p>Back Single Chair (2 pcs)</p>
<p>E</p>  <p>Front Side Single Chair (2 pcs)</p>	<p>F</p>  <p>Back Chair Frame (1 pc)</p>	<p>G</p>  <p>Seat Chair Frame (1 pc)</p>	<p>H</p>  <p>Front Side Chair Frame (1 pc)</p>
<p>I</p>  <p>Left Side Frame (4 pcs)</p>	<p>J</p>  <p>Right Side Frame (4 pcs)</p>	<p>K</p>  <p>Back Bench Frame (2 pcs)</p>	<p>L</p>  <p>Seat Bench Frame (2 pcs)</p>
<p>M</p>  <p>Front Side Bench Frame (2 pcs)</p>	<p>N</p>  <p>Back Right Bench Frame (1 pc)</p>	<p>O</p>  <p>Seat Right Bench Frame (1 pc)</p>	<p>P</p>  <p>Front Side Right Bench Frame (1 pc)</p>
<p>V</p>  <p>Back Left Bench Frame (1 pc)</p>	<p>W</p>  <p>Seat Left Bench Frame (1 pc)</p>	<p>X</p>  <p>Front Side Left Bench Frame (1 pc)</p>	<p>Y</p>  <p>Small Table (1 pc)</p>

Part List and Hardware

<p>Z</p>  <p>Small Glass Table (1 pc)</p>	<p>AA</p>  <p>Top Frame Big Table (1pc)</p>	<p>AB</p>  <p>Under Frame Big Table (1pc)</p>	<p>AC</p>  <p>Support Big Table 1 (1pc)</p>
<p>AD</p>  <p>Support Big Table 2 (2 pcs)</p>	<p>AE</p>  <p>Big Glass Table (1 pc)</p>	<p>AF</p>  <p>Back Chair Cushion (3 pcs)</p>	<p>AG</p>  <p>Seat Chair Cushion (3 pcs)</p>
<p>AH</p>  <p>Seat Bench Cushion (4 pcs)</p>	<p>AI</p>  <p>Back Bench Cushion (4 pcs)</p>	<p>1</p>  <p>Extra 01 pcs Bolt M6x90 (6 pcs)</p>	<p>2</p>  <p>Extra 02 pcs Bolt M6x40 (26 pcs)</p>
<p>3</p>  <p>Extra 06 pcs Bolt M6x30 (122 pcs)</p>	<p>4</p>  <p>Extra 01 pcs Bolt M6x20 (12 pcs)</p>	<p>5</p>  <p>Extra 06 pcs Washer M6 (110 pcs)</p>	<p>6</p>  <p>Plastic Feet (28 pcs)</p>
<p>7</p>  <p>Connector (8 pcs)</p>	<p>8</p>  <p>Allen Key (3 pcs)</p>		
			<p>04-21</p>

CARTON CONTENT:



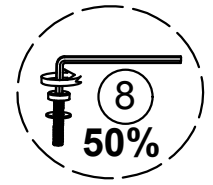
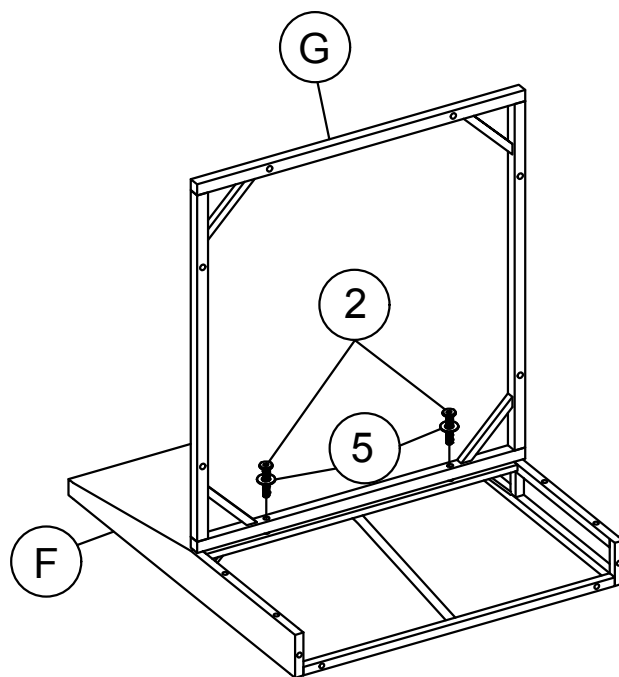
STEP 1

F x1

G x1

② x2

⑤ x2



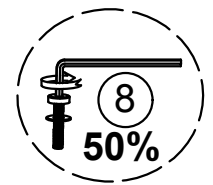
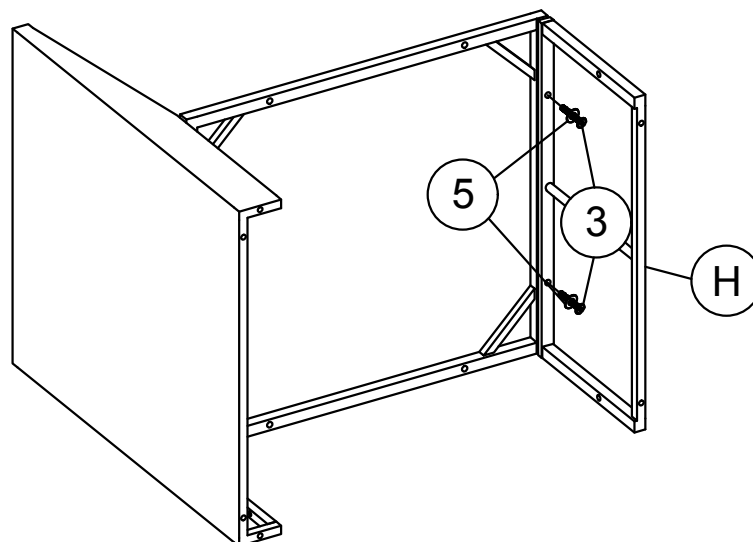
Connect Back Chair Frame (F) & Seat Chair Frame (G) with Bolt (2), washer (5), Allen Key (8).

STEP 2

H x1

③ x2

⑤ x2



Connect the Part from Step 1 & Front Side Chair Frame (H) with Bolt (3), washer (5), Allen Key (8).

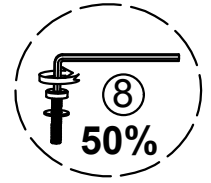
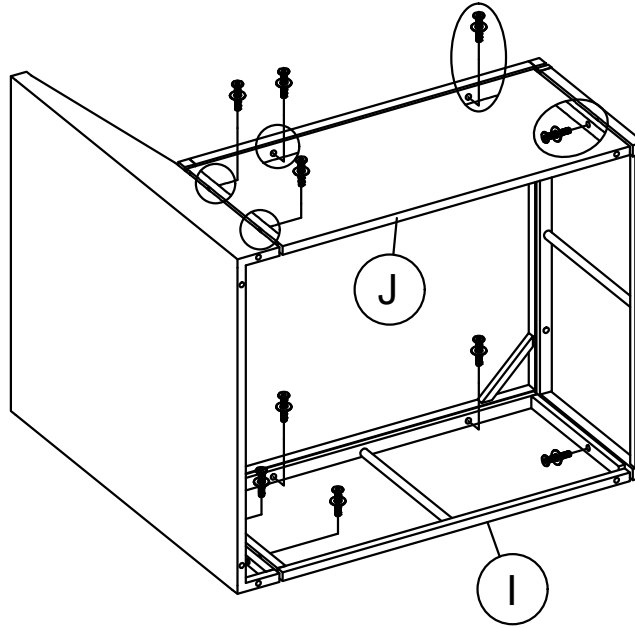
STEP 3

I x1

J x1

③ x10

⑤ x10

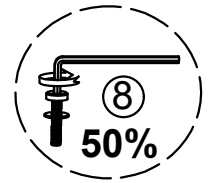
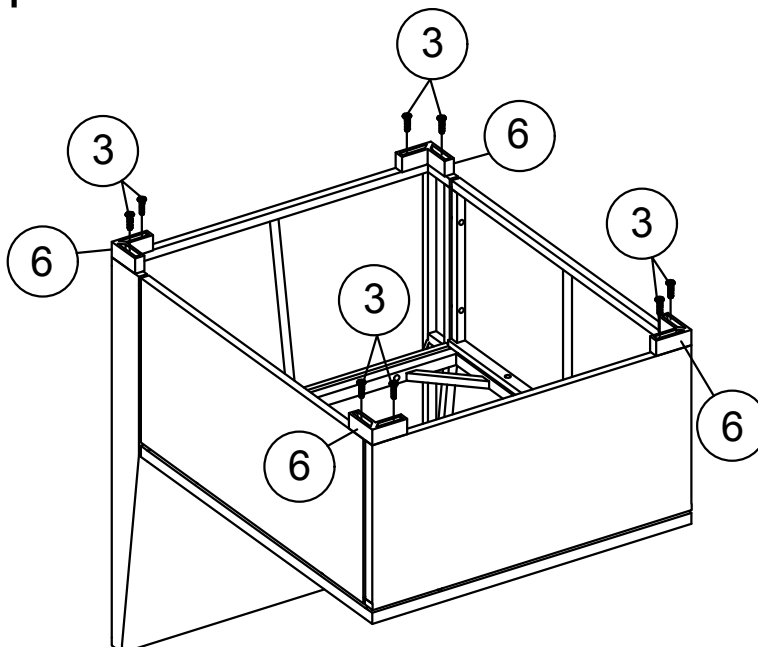


Connect the Part from Step 2 & Left Side Frame (I), Right Side Frame (J), with Bolt (3), washer (5), Allen Key (8).

STEP 4

⑥ x4

③ x8

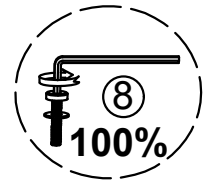
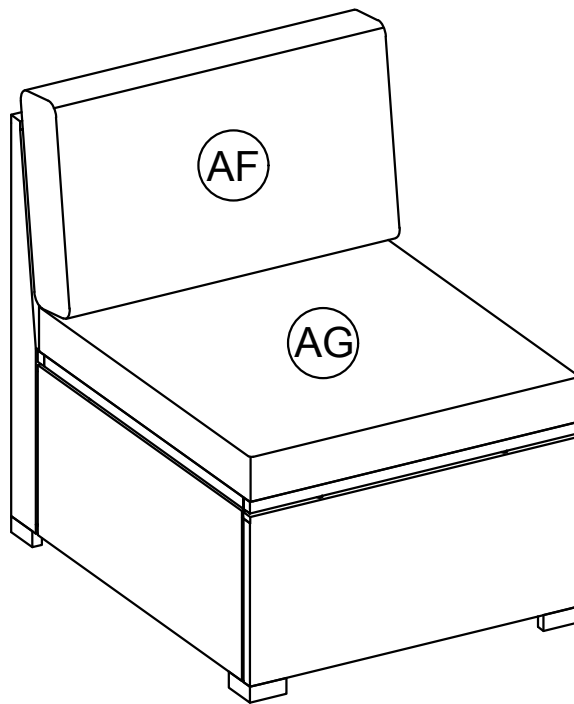


Connect the Part from Step 3 & Plastic Feet (6) with Bolt (3), Allen Key (8).

STEP 5

AF x1

AG x1



Put the Seat Chair Cushion (AG) and Back Chair Cushion (AF) to Finish Chair.

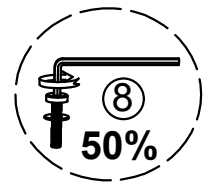
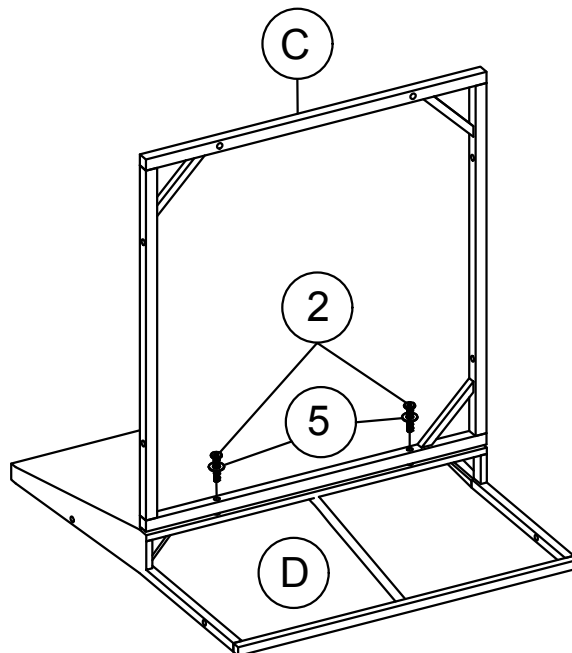
STEP 6

C x1

D x1

② x2

⑤ x2



x2

Connect Back Single Chair Frame (D) & Seat Single Chair Frame (C) with Bolt (2), washer (5), Allen Key (8).

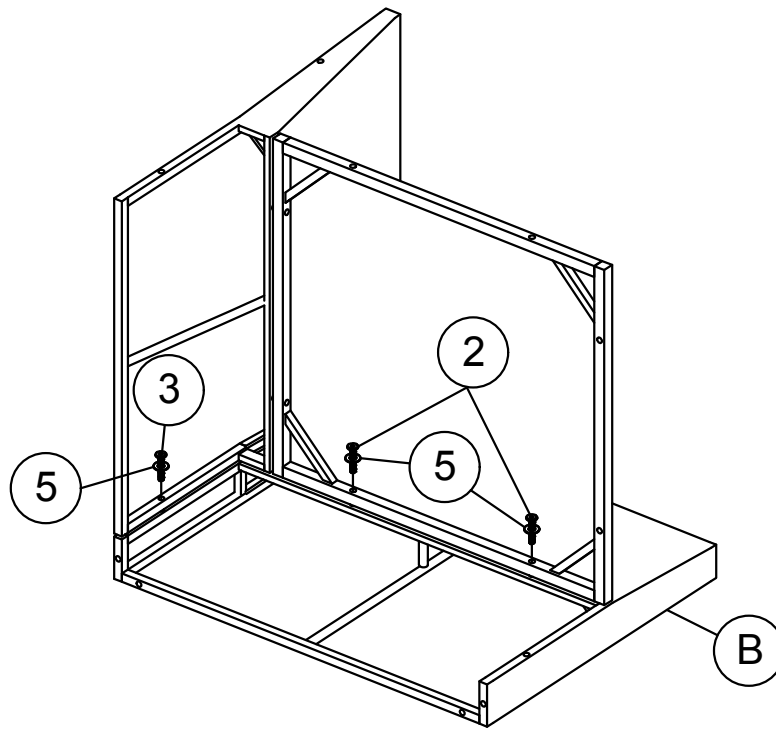
STEP 7

B x1

② x2

③ x1

⑤ x3



x2

Connect the Part from Step 6 & Left Armrest Frame (B) with Bolt (2),(3) washer (5),Allen Key (8).

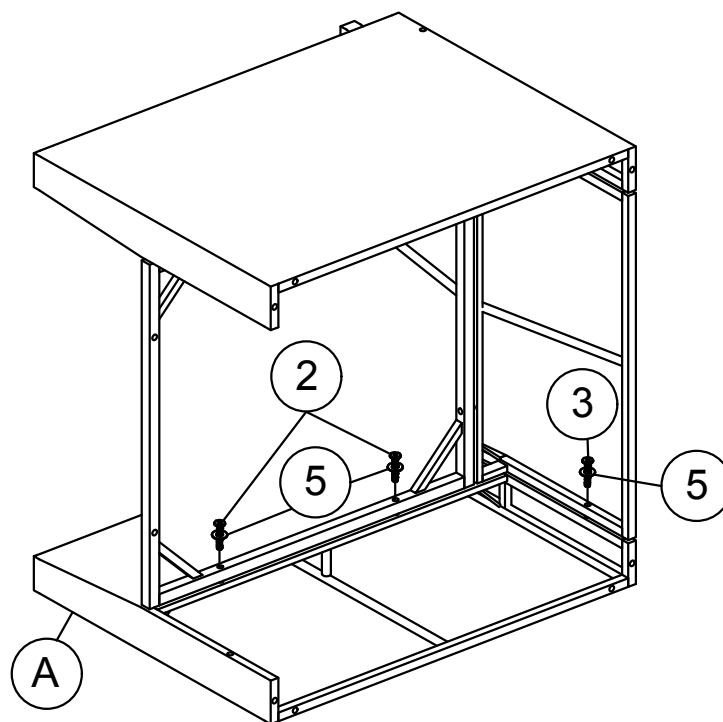
STEP 8

A x1

② x2

③ x1

⑤ x3



x2

Connect the Part from Step 7 & Right Armrest Frame (A) with Bolt (2),(3) washer (5),Allen Key (8).

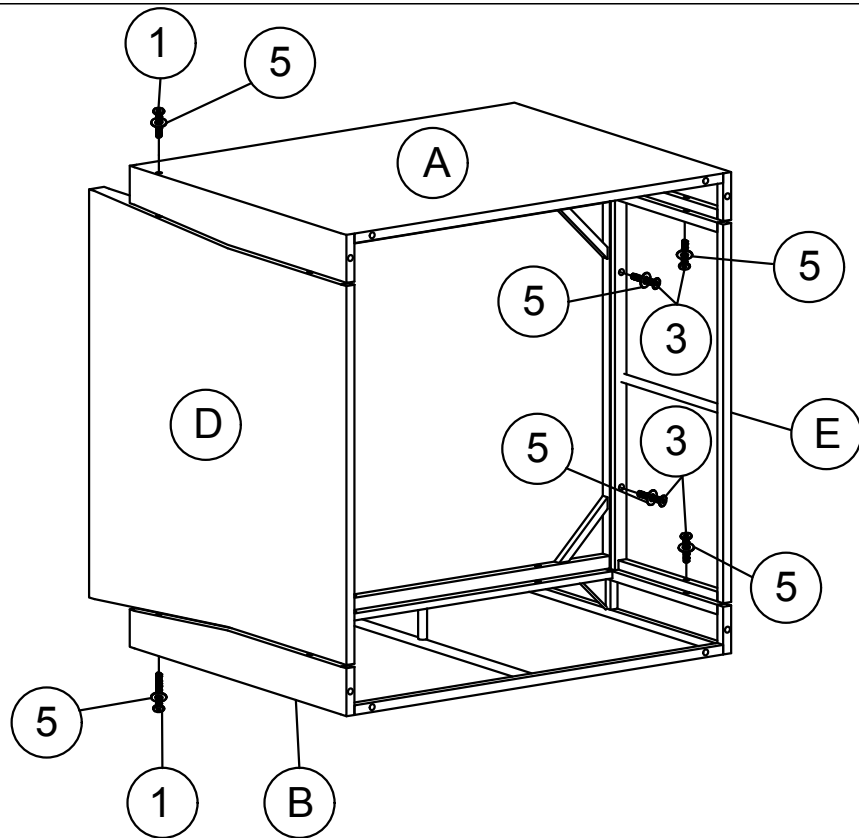
STEP 9

E x1

① x2

③ x4

⑤ x6



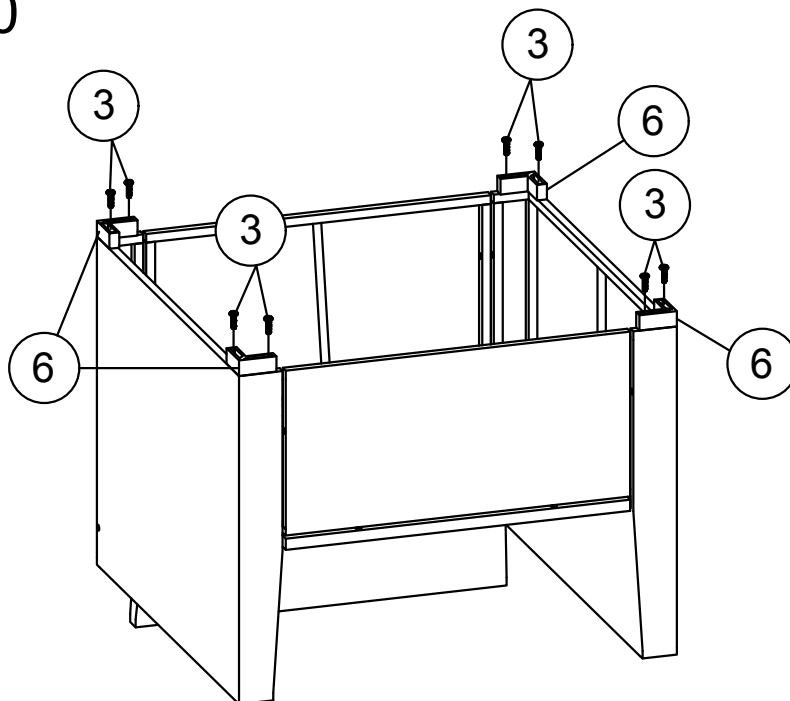
x2

Connect Right Armrest Frame (A) ,Left Armrest Frame (B) & Back Single Chair (D), Front Side Single Chair (E) with Bolt (1),(3),washer (5),Allen Key (8).

STEP 10

⑥ x4

③ x8



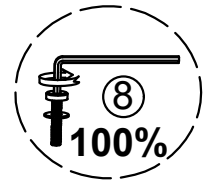
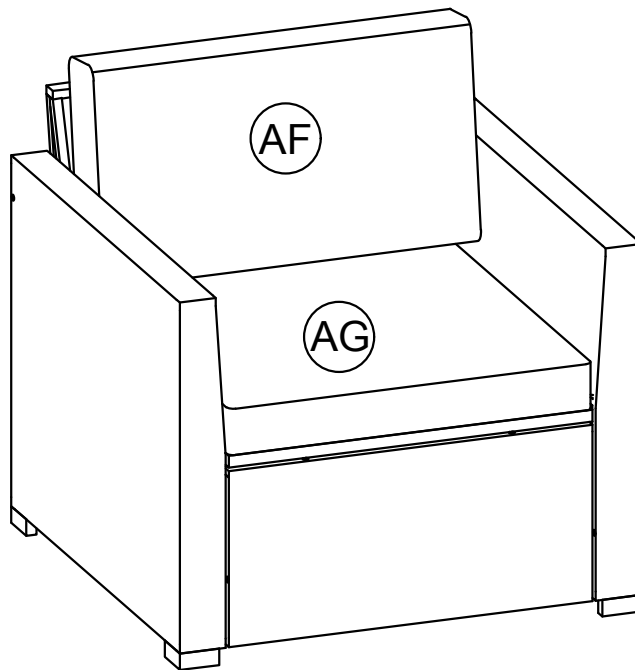
x2

Connect the Part from Step 9 & Plastic Feet (6) with Bolt (3), Allen Key (8).

STEP 11

AF x1

AG x1



x2

Put the Seat Chair Cushion (AG) and Back Chair Cushion (AF) to Finish Single Chair.

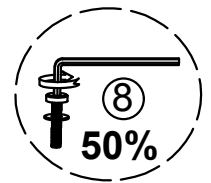
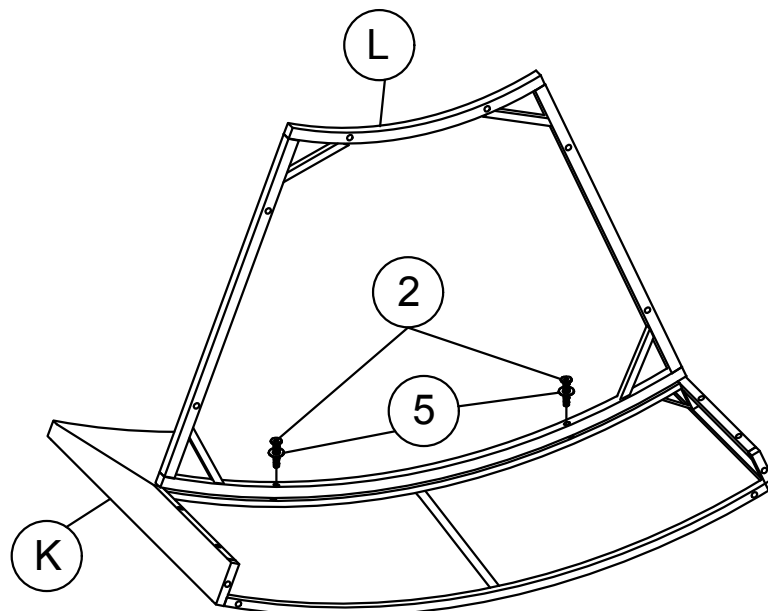
STEP 12

L x1

K x1

② x2

⑤ x2



x2

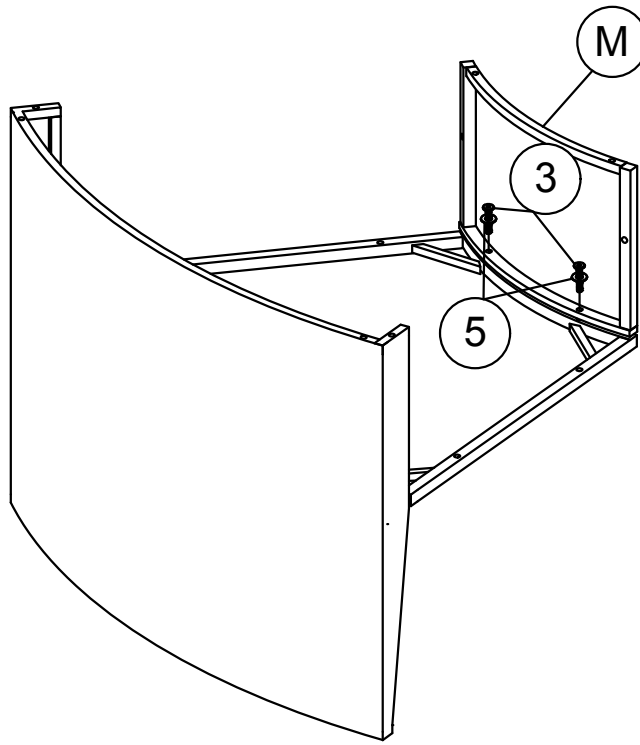
Connect Back Bench Frame (K) & Seat Bench Frame (L) with Bolt (2), washer (5), Allen Key (8).

STEP 13

M x1

③ x2

⑤ x2



x2

Connect the Part from Step 12 & Front Side Bench Frame (M) with Bolt (3), washer (5), Allen Key (8).

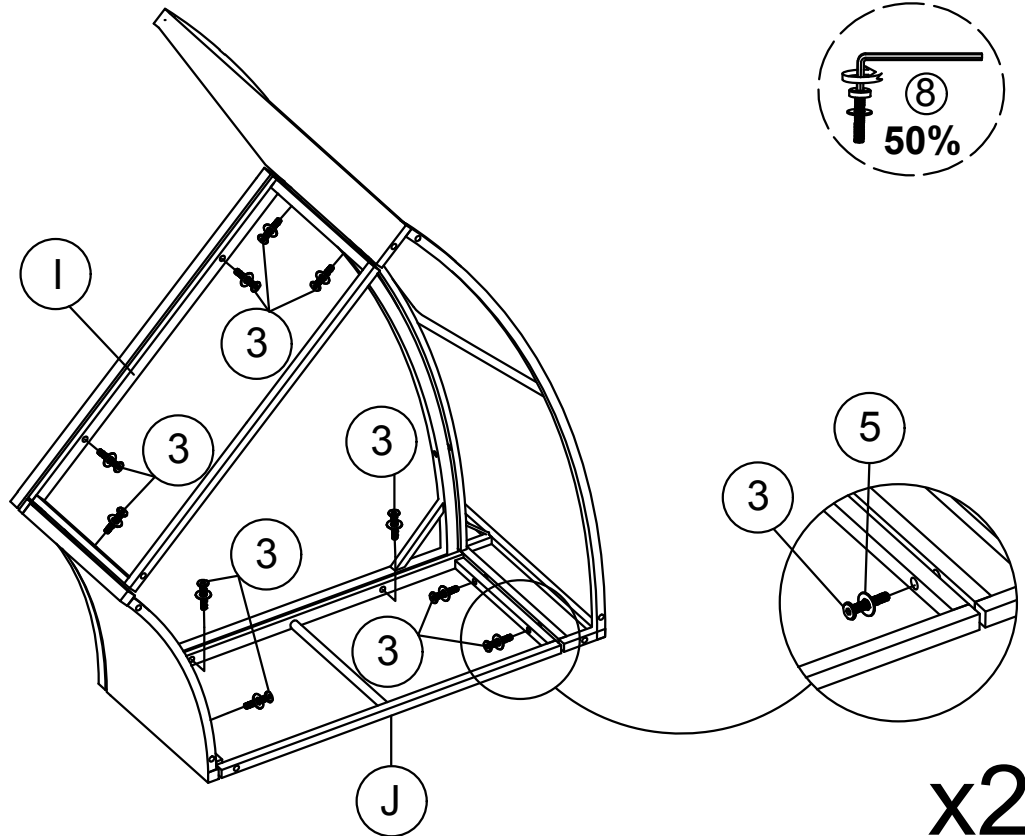
STEP 14

I x1

J x1

③ x10

⑤ x10



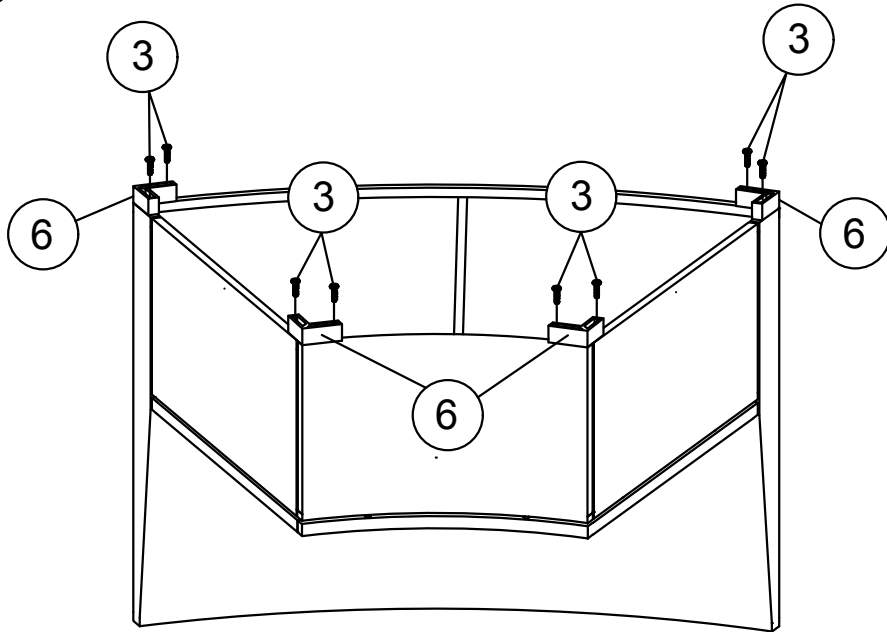
x2

Connect the Part from Step 13 & Left Side Frame (I), Right Side Frame (J), with Bolt (3), washer (5), Allen Key (8).

STEP 15

⑥ x4

③ x8



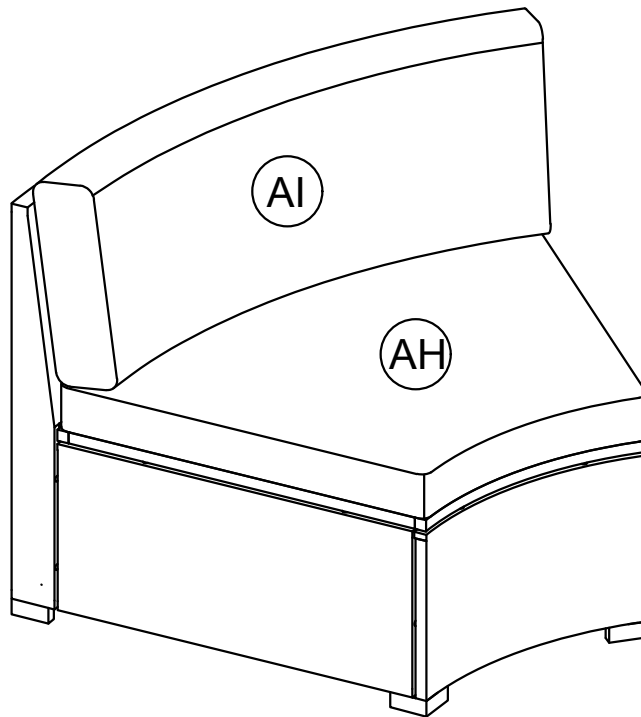
x2

Connect the Part from Step 14 & Plastic Feet (6) with Bolt (3), Allen Key (8).

STEP 16

AI x1

AH x1



x2

Put the Seat Bench Cushion (AH) and Back Bench Cushion (AI) to Finish Bench.

STEP 17

V x1

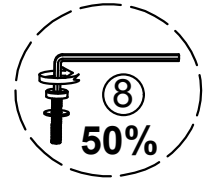
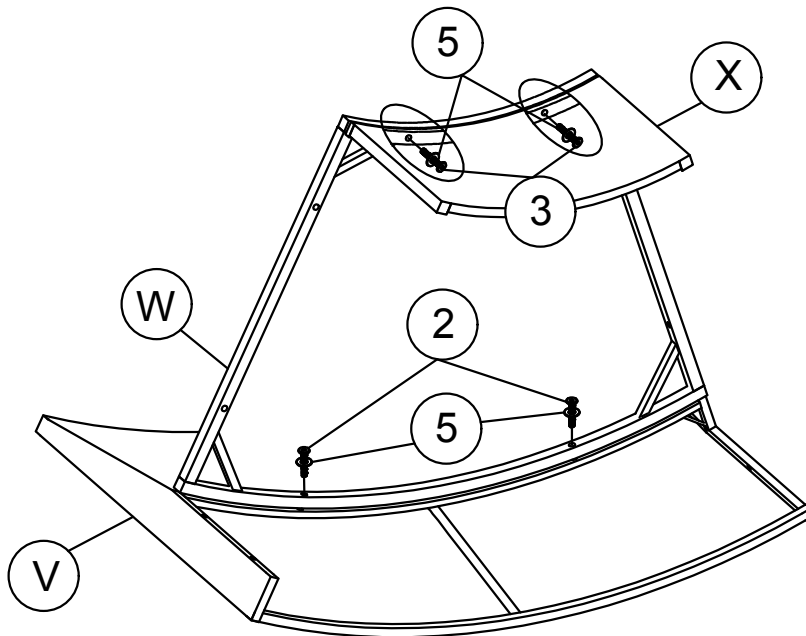
W x1

X x1

② x2

③ x2

⑤ x4



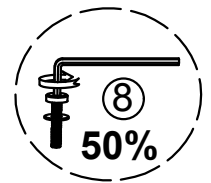
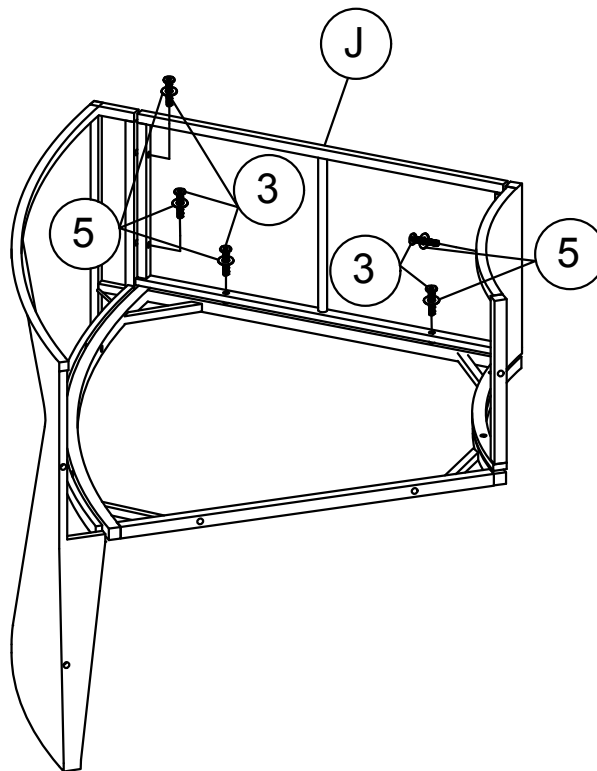
Connect Back Left Bench Frame (V) & Seat Left Bench Frame (W) & Front Side Left Bench Frame (X) with Bolt (2), (3), washer (5), Allen Key (8).

STEP 18

J x1

③ x5

⑤ x5



Connect the Part from Step 17 & Right Side Frame (J), with Bolt (3), washer (5), Allen Key (8).

STEP 19

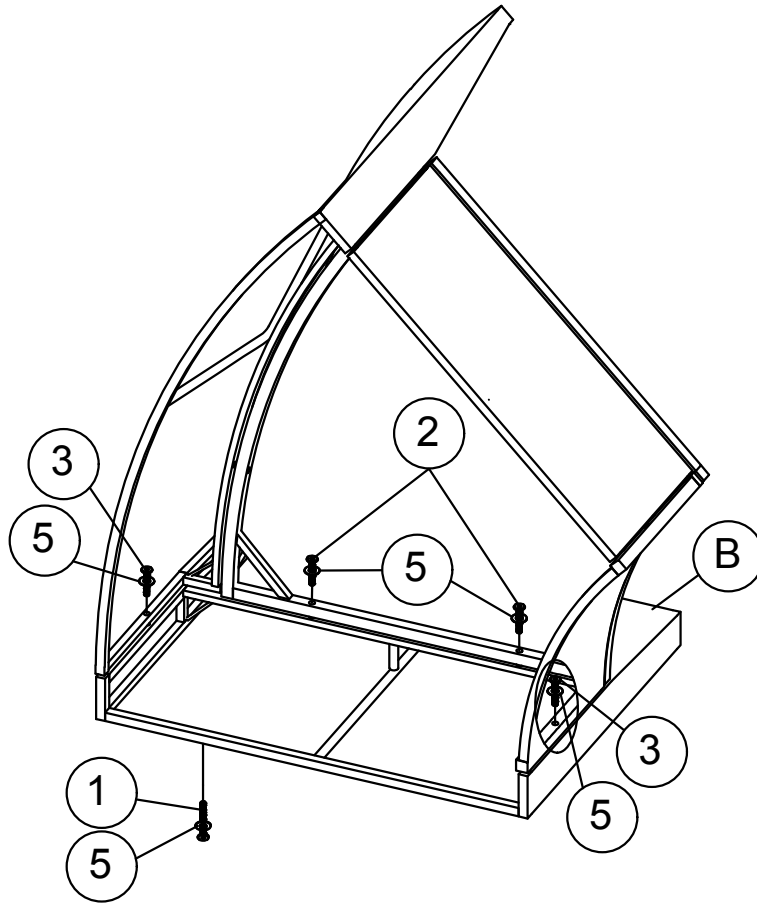
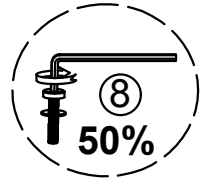
B x1

① x1

② x2

③ x2

⑤ x5

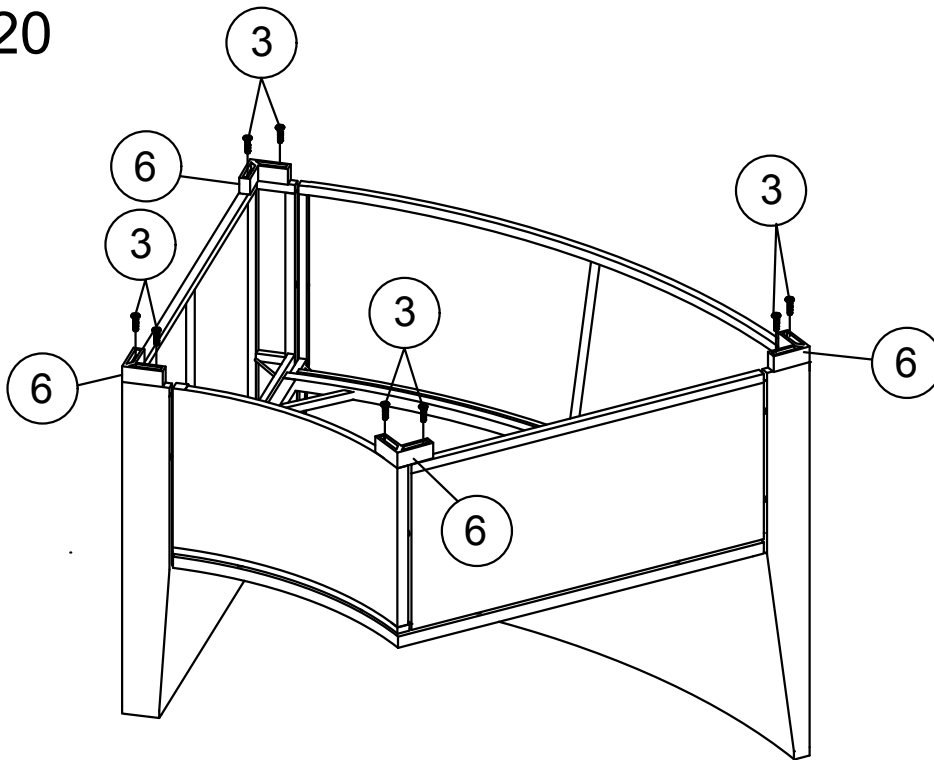
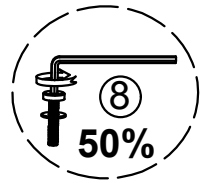


Connect the Part from Step 18 & Left Armrest Frame (B) with Bolt (1),(2),(3) washer (5),Allen Key (8).

STEP 20

⑥ x4

③ x8

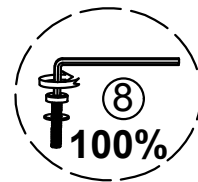
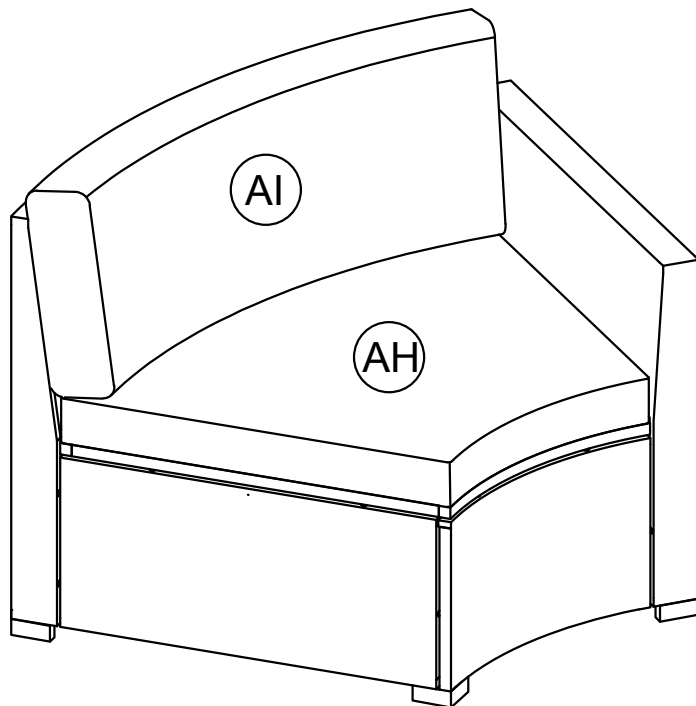


Connect the Part from Step 19 & Plastic Feet (6) with Bolt (3), Allen Key (8).

STEP 21

AI x1

AH x1



Put the Seat Bench Cushion (AH) and Back Bench Cushion (AI) to Finish Left Bench.

STEP 22

N x1

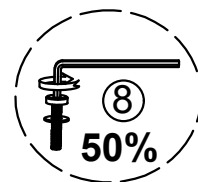
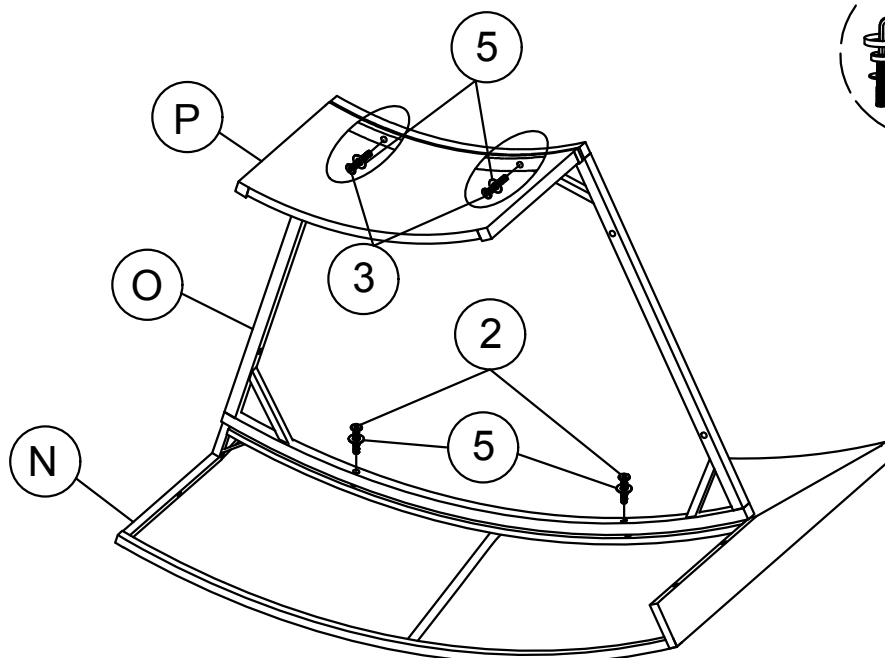
O x1

P x1

② x2

③ x2

⑤ x4



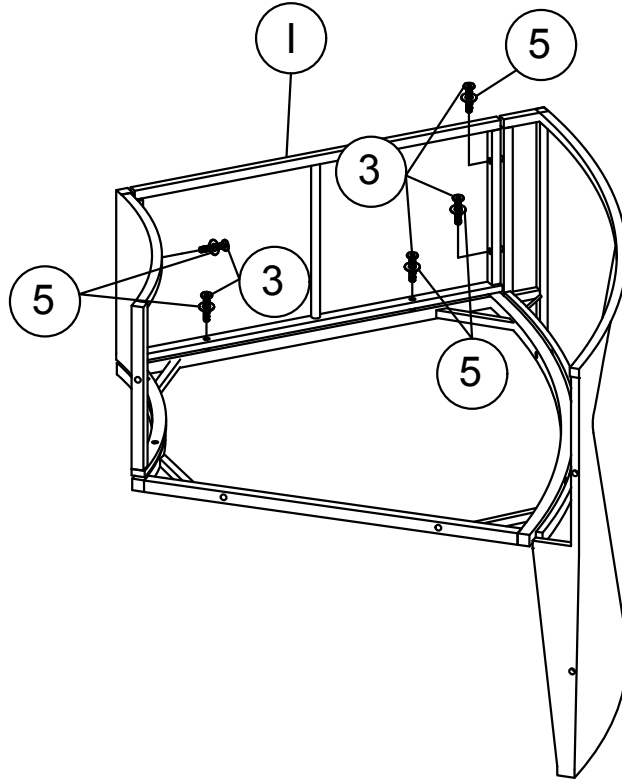
Connect Back Right Bench Frame (N) & Seat Right Bench Frame (O) & Front Side Right Bench Frame (X) with Bolt (2), (3), washer (5), Allen Key (8).

STEP 23

1 x1

③ x5

⑤ x5



Connect the Part from Step 22 & Left Side Frame (1), with Bolt (3), washer (5), Allen Key (8).

STEP 24

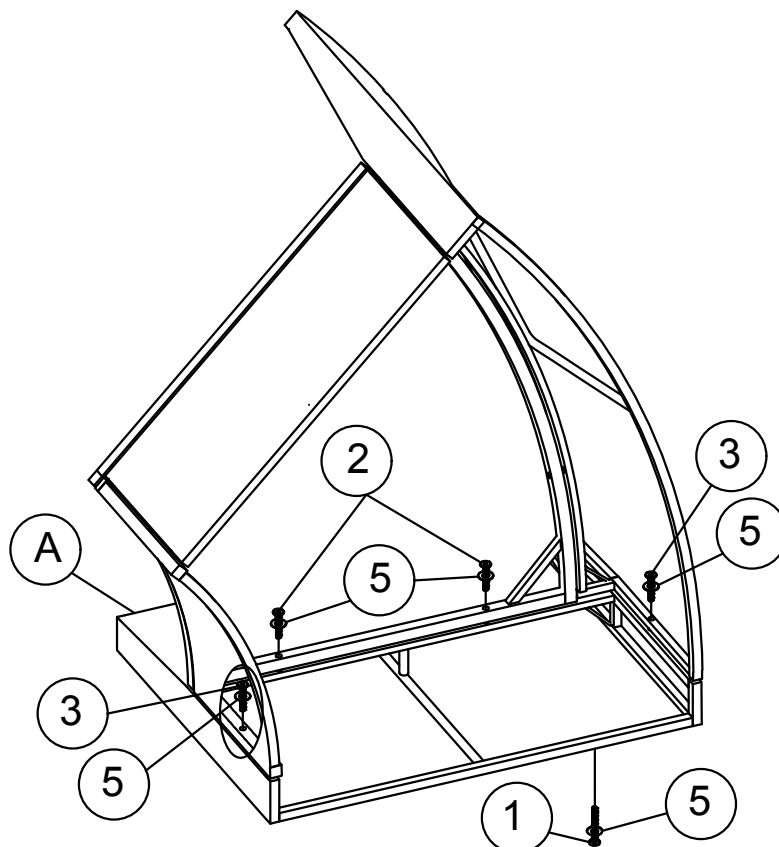
A x1

① x1

② x2

③ x2

⑤ x5

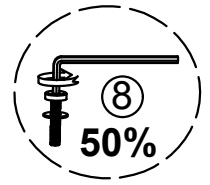
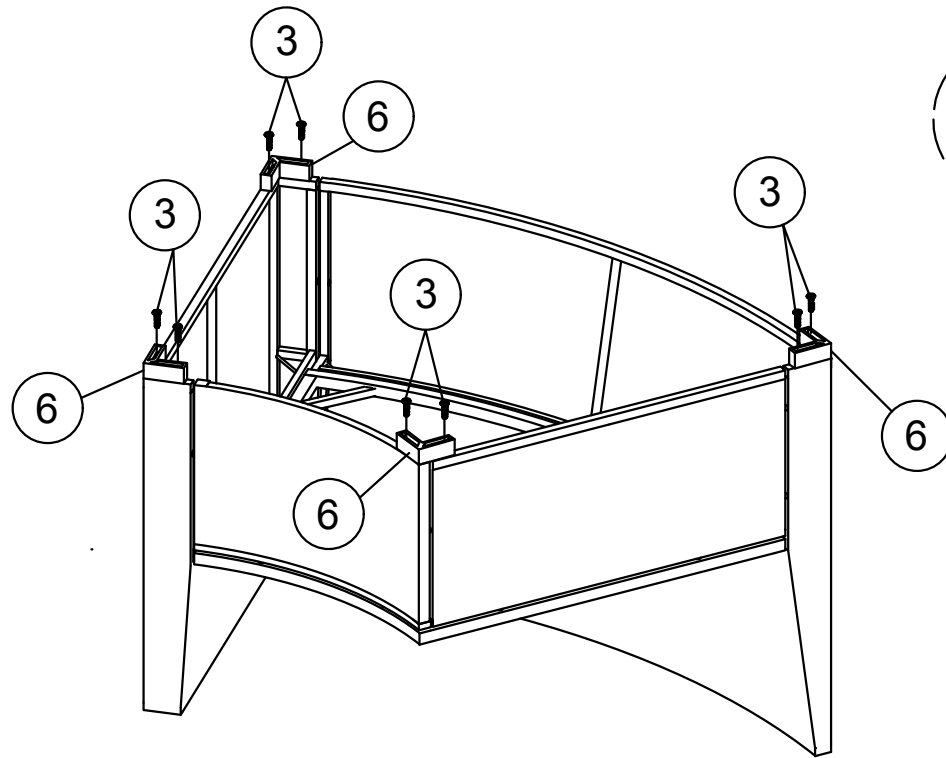


Connect the Part from Step 23 & Right Armrest Frame (A) with Bolt (1),(2),(3) washer (5),Allen Key (8).

STEP 25

⑥ x4

③ x8

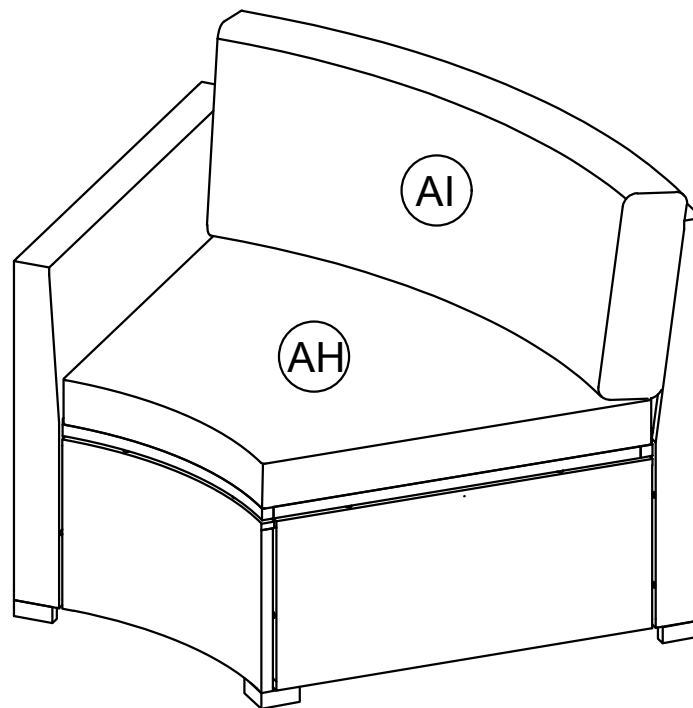


Connect the Part from Step 24 & Plastic Feet (6) with Bolt (3), Allen Key (8).

STEP 26

AI x1

AH x1

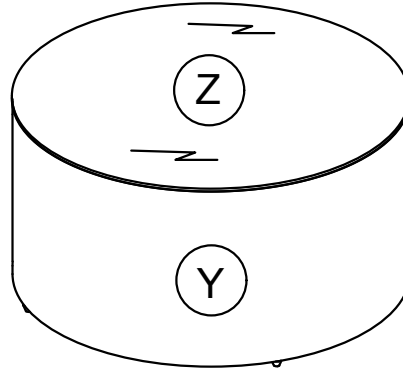


Put the Seat Bench Cushion (AH) and Back Bench Cushion (AI) to Finish Right Bench.

STEP 27

Z x1

Y x1



Put the Small Glass Table (Z) to Finish .

STEP 28

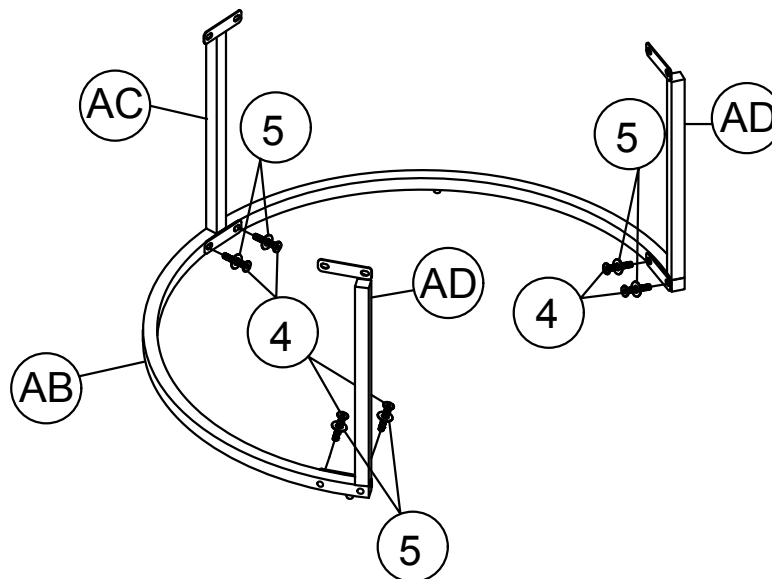
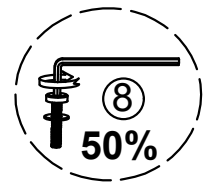
AB x1

AC x1

AD x2

(4) x6

(5) x6



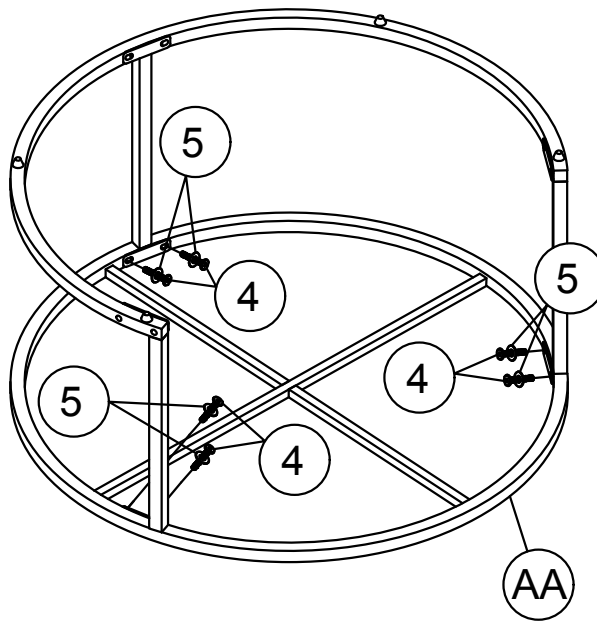
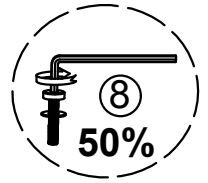
Connect Under Frame Big Table (AB) & Support Big Table1,2 (AC),(AD) with Bolt (4),washer (5),Allen Key (8).

STEP 29

AA x1

④ x6

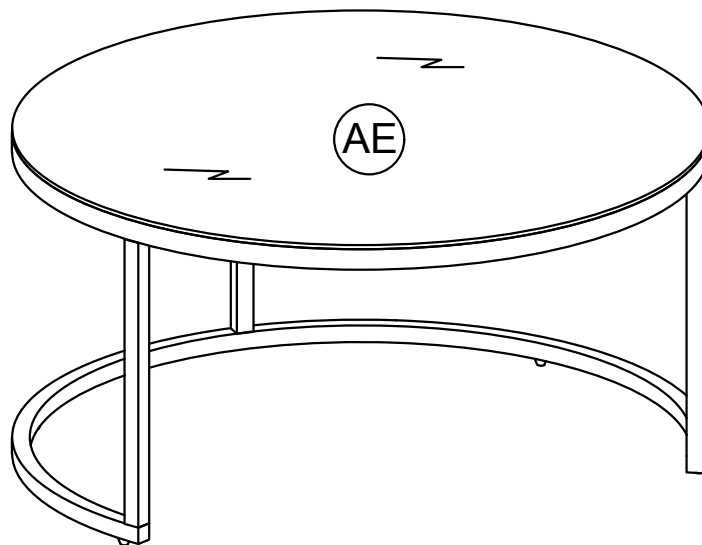
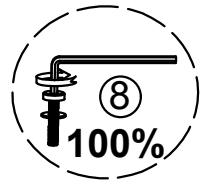
⑤ x6



Connect the Part from Step 28 & Top Frame Big Table (AA) with Bolt (4), Washer (5), Allen Key (8).

STEP 30

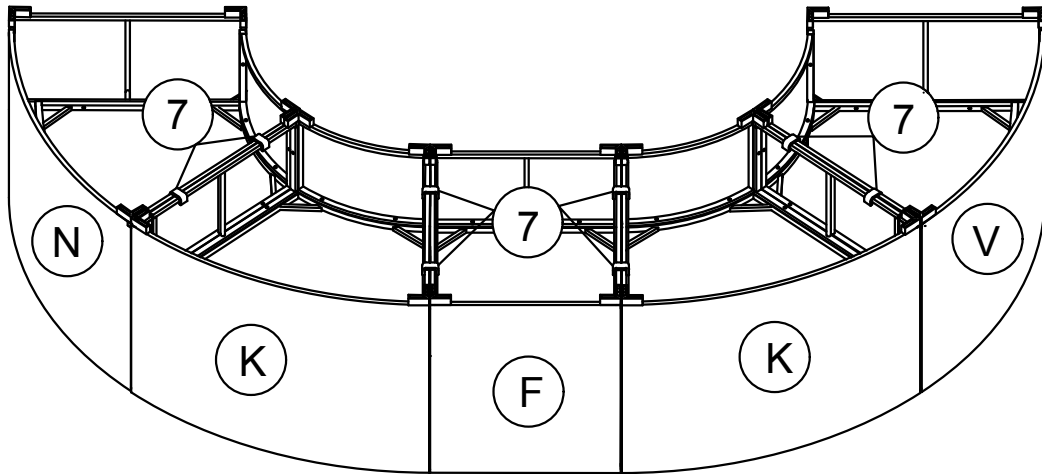
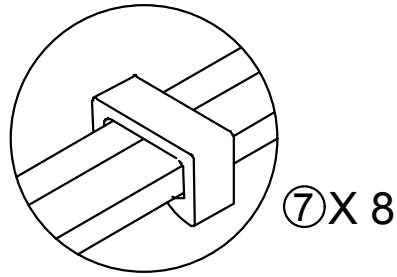
AE x1



Put the Big Glass Table (AE) to Finish.

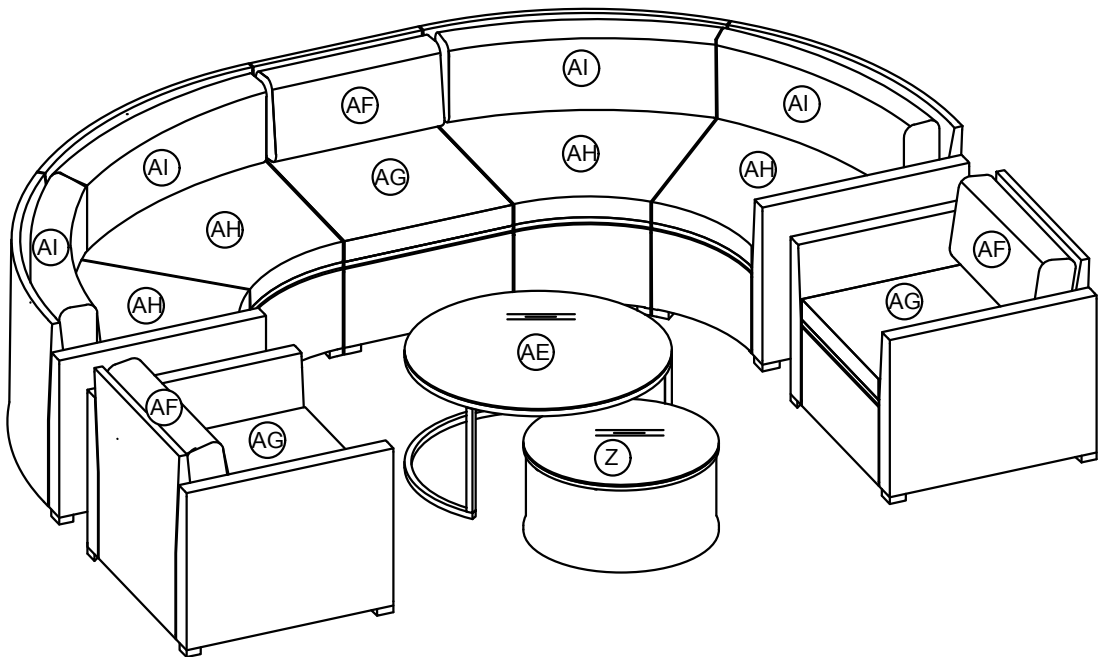
STEP 31

⑦ x8



Connect the Bench & Chair with Connector (7) by Hand.

STEP 32



Finish.