

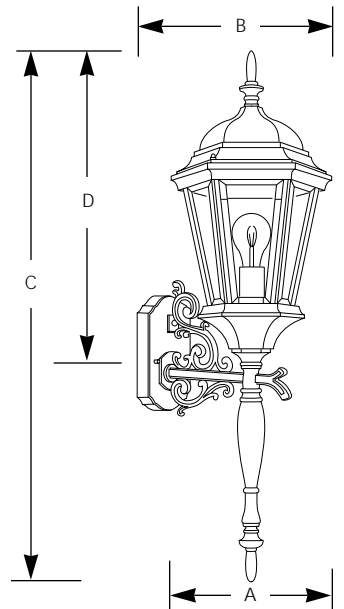
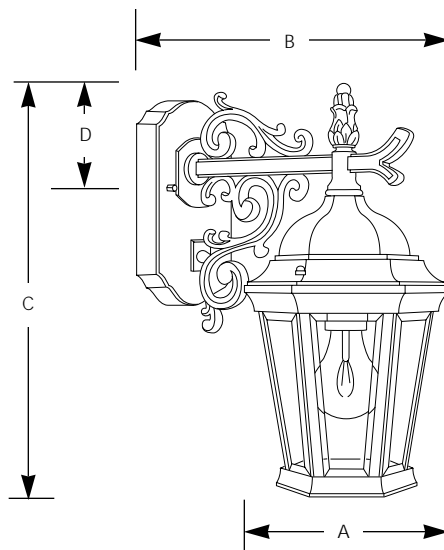
Incandescent

Outdoor

Wall Mount

Type _____

	Finish		Lamping	Dimensions (Inches)			
	White	Black		A	B	C	D
			1-100w A19	6-1/2	9	13-1/4	3-1/2
			1-100w A19	9-1/2	9-3/4	18	3-1/2
			1-100w A19	9-1/2	9-3/4	31-1/4	19



Specifications:

General

- Black and White Textured finishes
- Candle covers match fixture finish
- Die-cast aluminum construction
- Solid brass interior components
- Cast wall plate
- Clear beveled glass panels
- Each glass panel replaceable
- Matching post and chain-hung units

available

Mounting

- Wall mount
- Covers outlet box
- Mounting strap for outlet box and cap nuts furnished

- back plate 4-1/2" W., 7" ht.
- back plate 4-1/2" W., 7" ht.
- back plate 4-1/2" W., 7" ht.

Electrical

- Medium based sockets
 - Porcelain with nickel-plated brass screw shell
- Candelabra sockets
 - Phenolic sockets

Labeling

- UL-CUL wet location listed