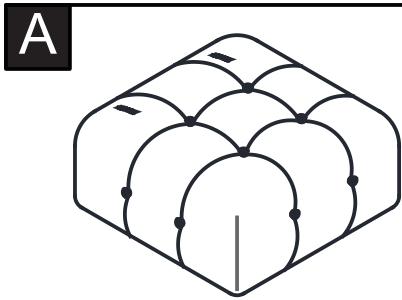
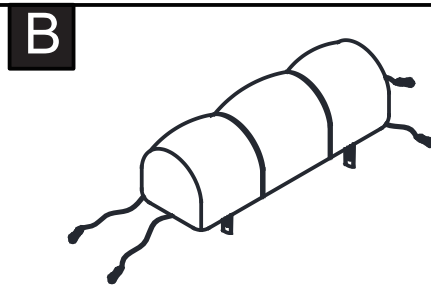


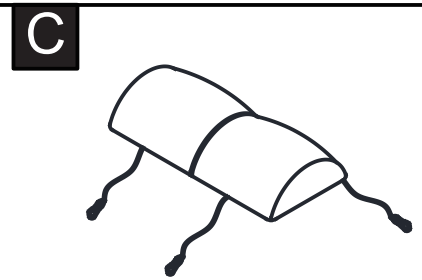
# ASSEMBLY INSTRUCTION



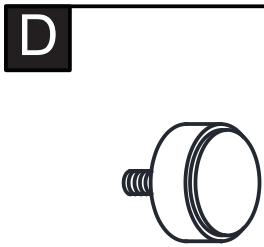
1pc



1pc

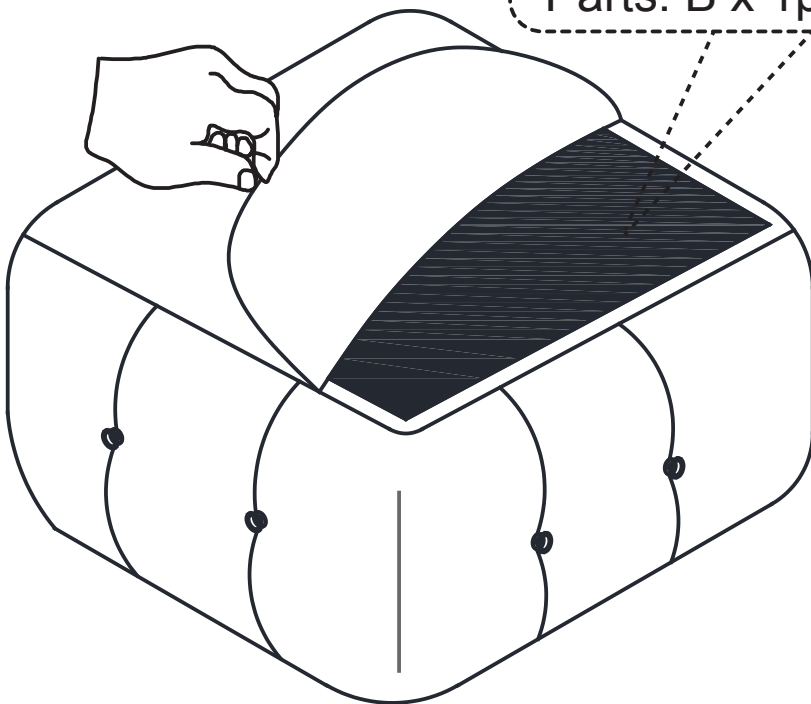
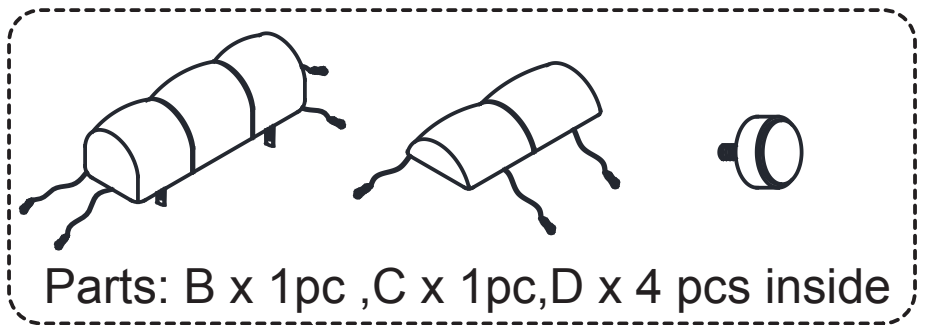


1pc



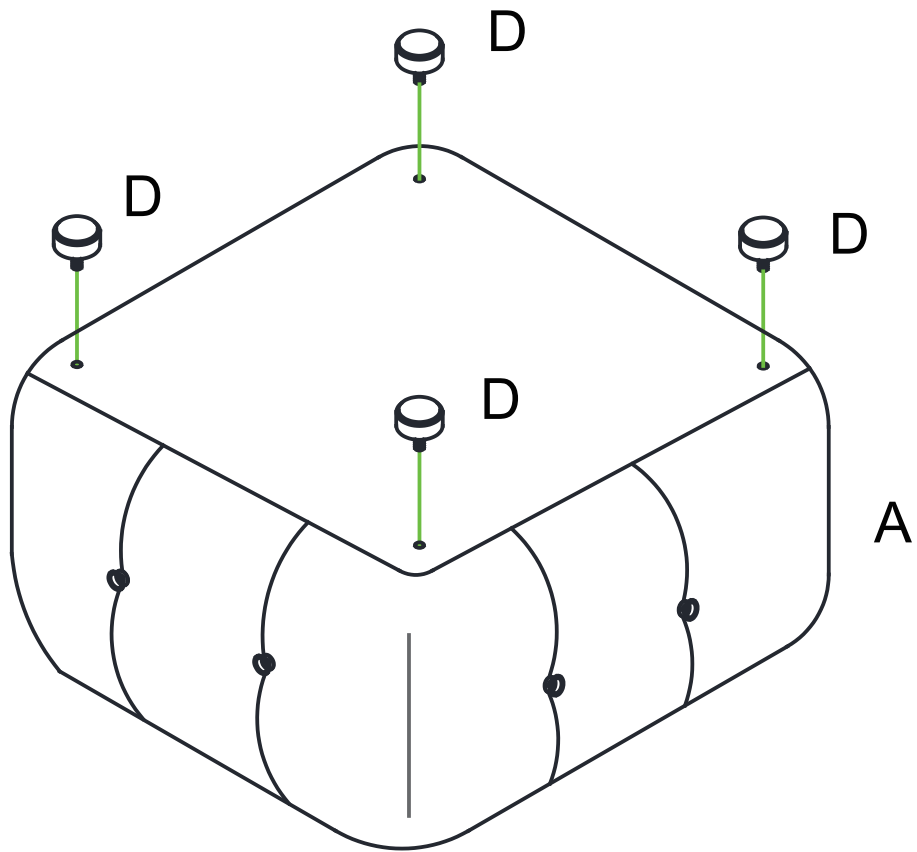
4pcs

**1**

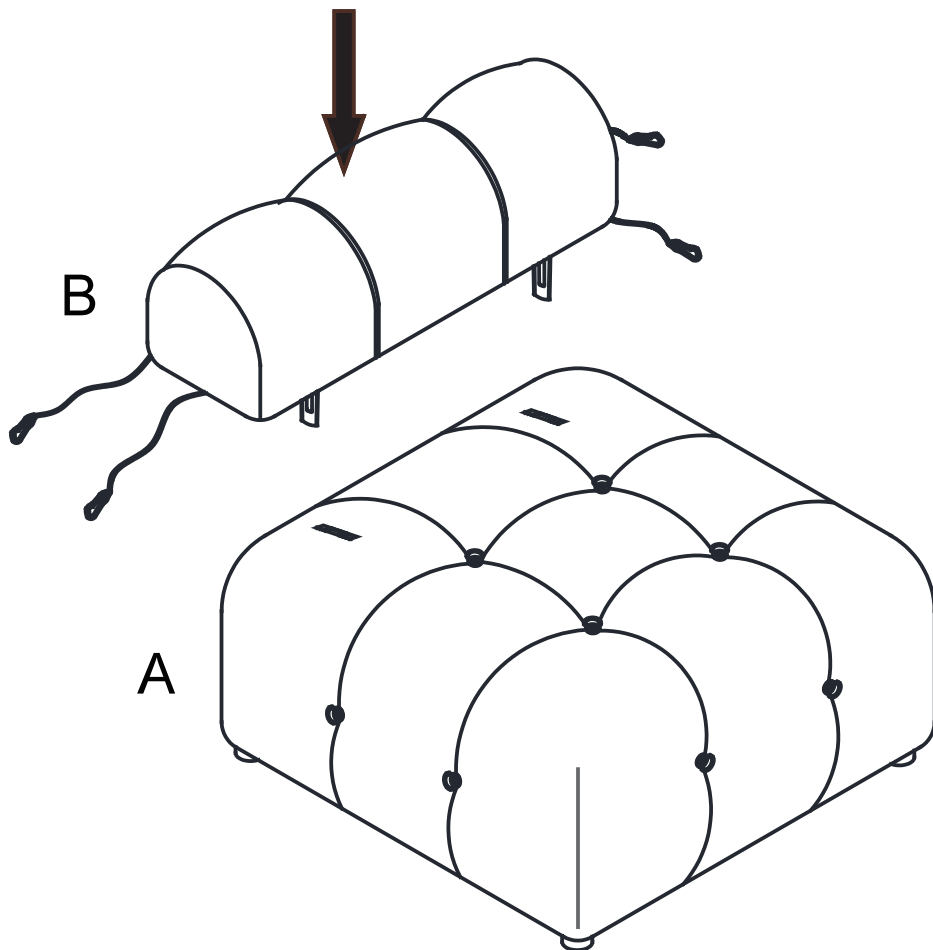


**A**

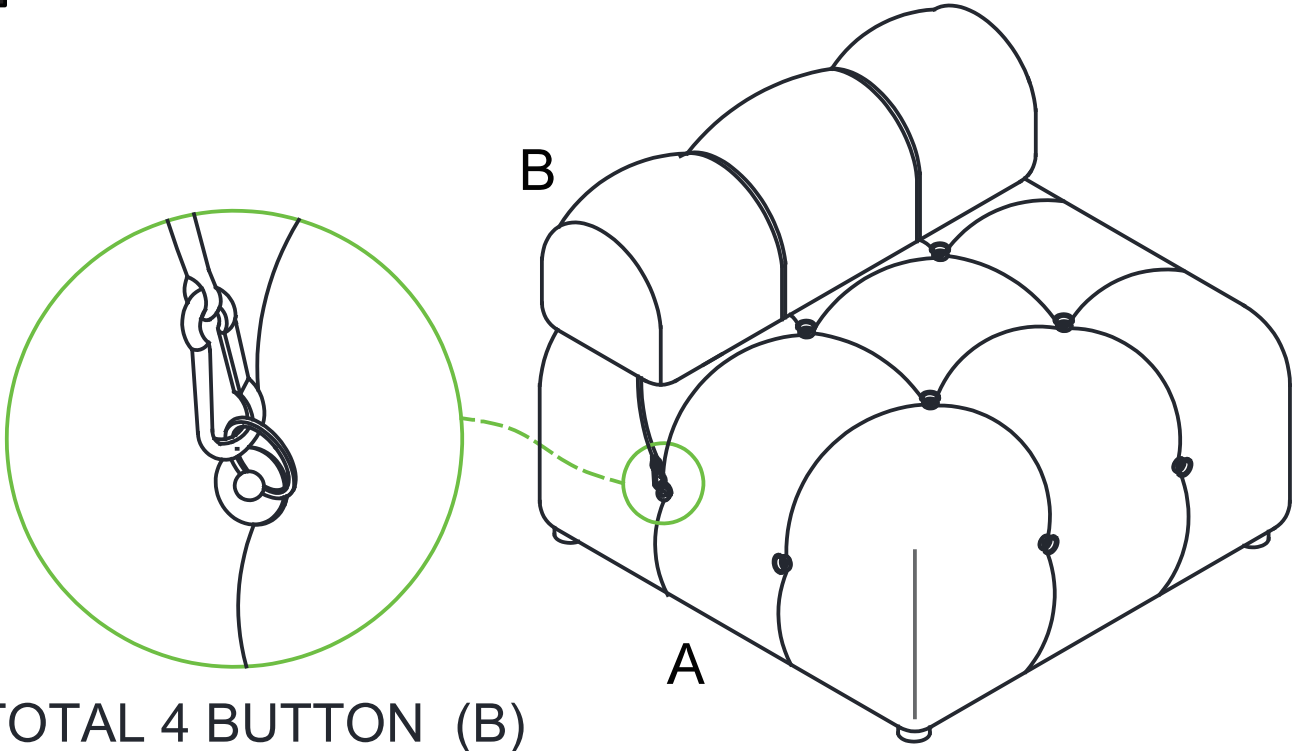
2



3

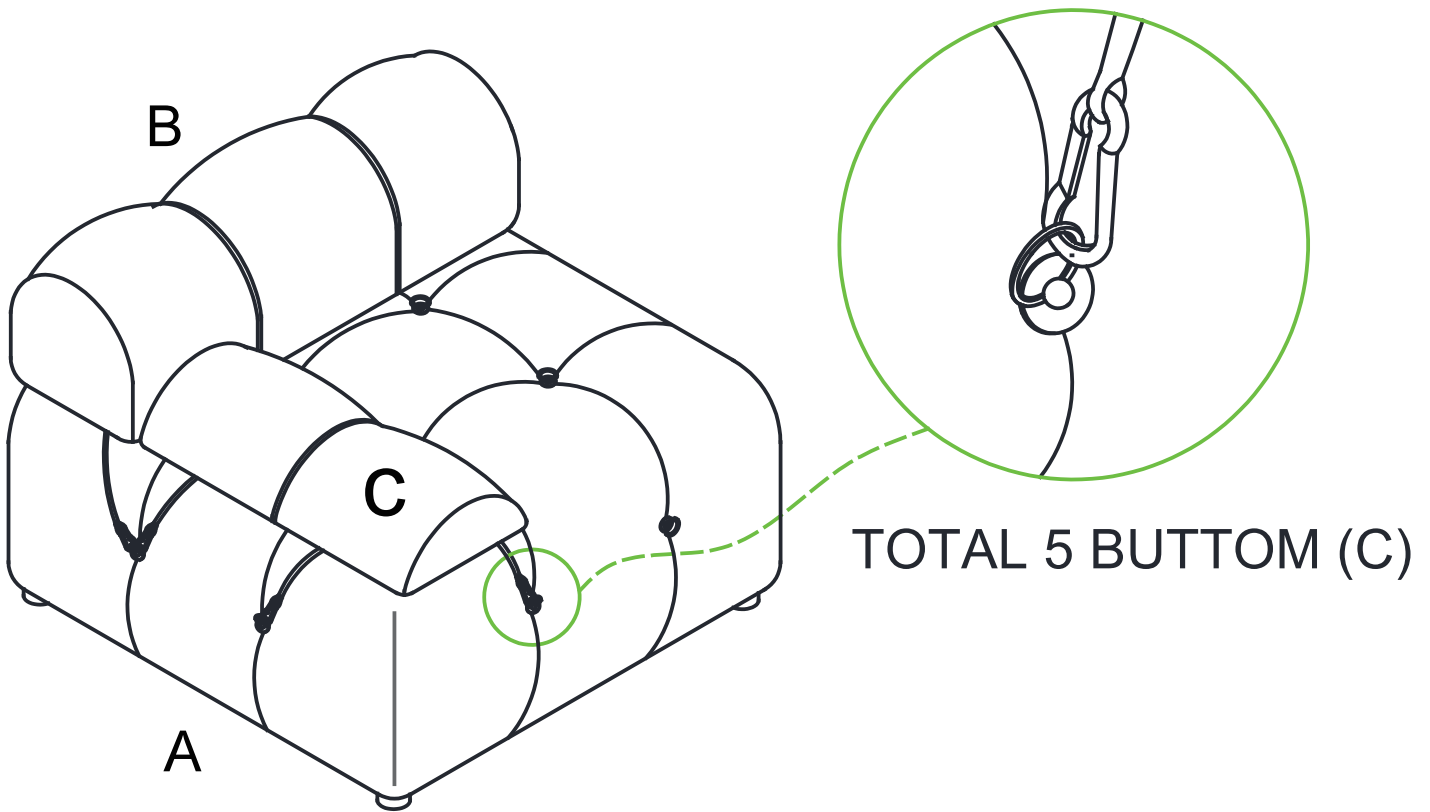


4



TOTAL 4 BUTTOM (B)

5



TOTAL 5 BUTTOM (C)