

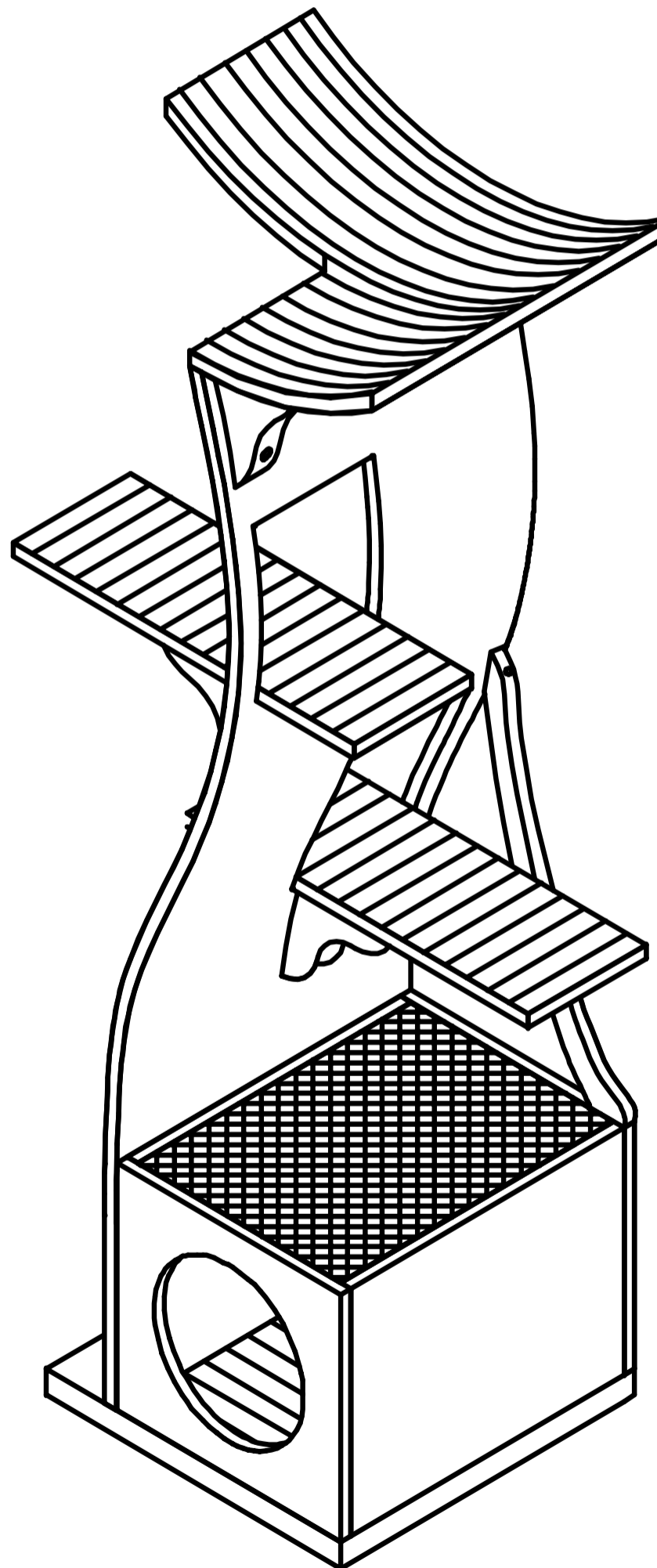


Love Your Cat.  
Love Your Home.™

# Lotus Cat Tower

Assembly Instructions  
v13

For video instructions on assembling  
your Lotus Cat Tower, visit:  
[TheRefinedFeline.com/assembly/](http://TheRefinedFeline.com/assembly/)  
or scan QR code:

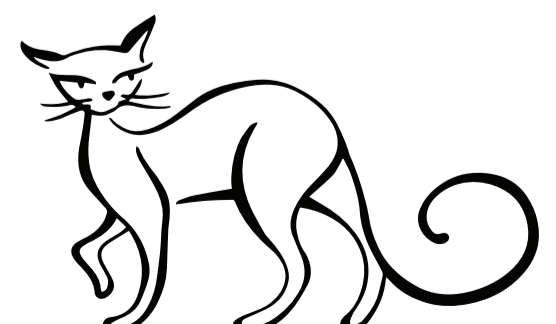


Need more help?  
Call: 800-289-6136  
Email: [Support@TheRefinedFeline.com](mailto:Support@TheRefinedFeline.com)

Share a cat photo on  
your new Lotus Cat Tower!

Find us on Facebook or tag on Instagram:

#LotusCatTower  
@RefinedFeline

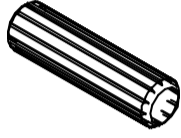
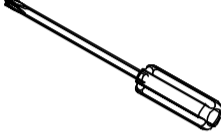
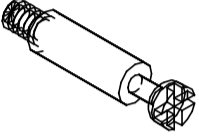
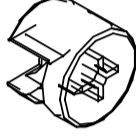
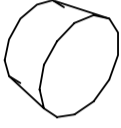
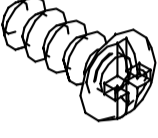

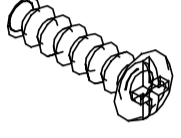


© RefinedKind Pet Products. All Rights Reserved

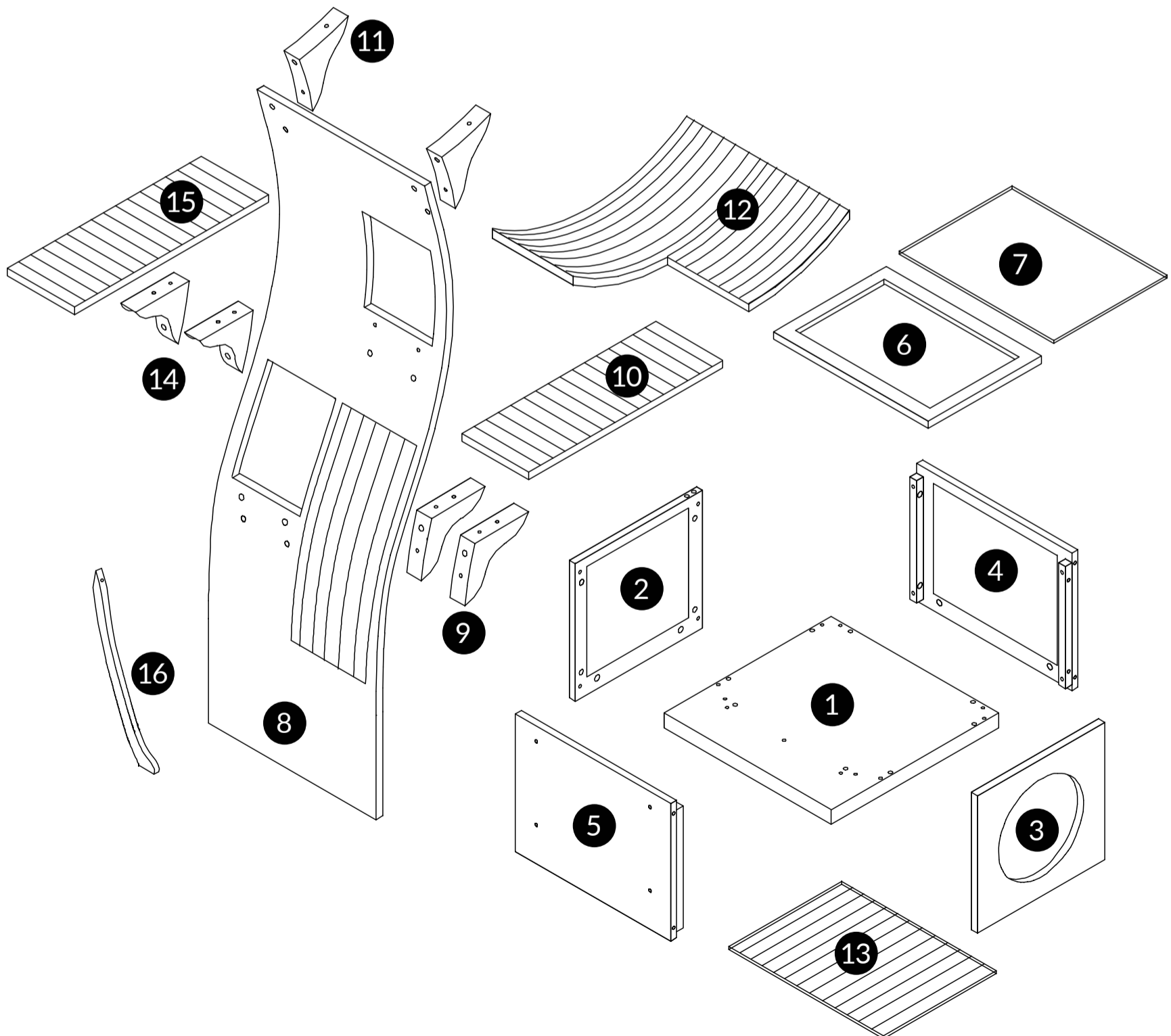


# WHAT'S IN THE BOX?

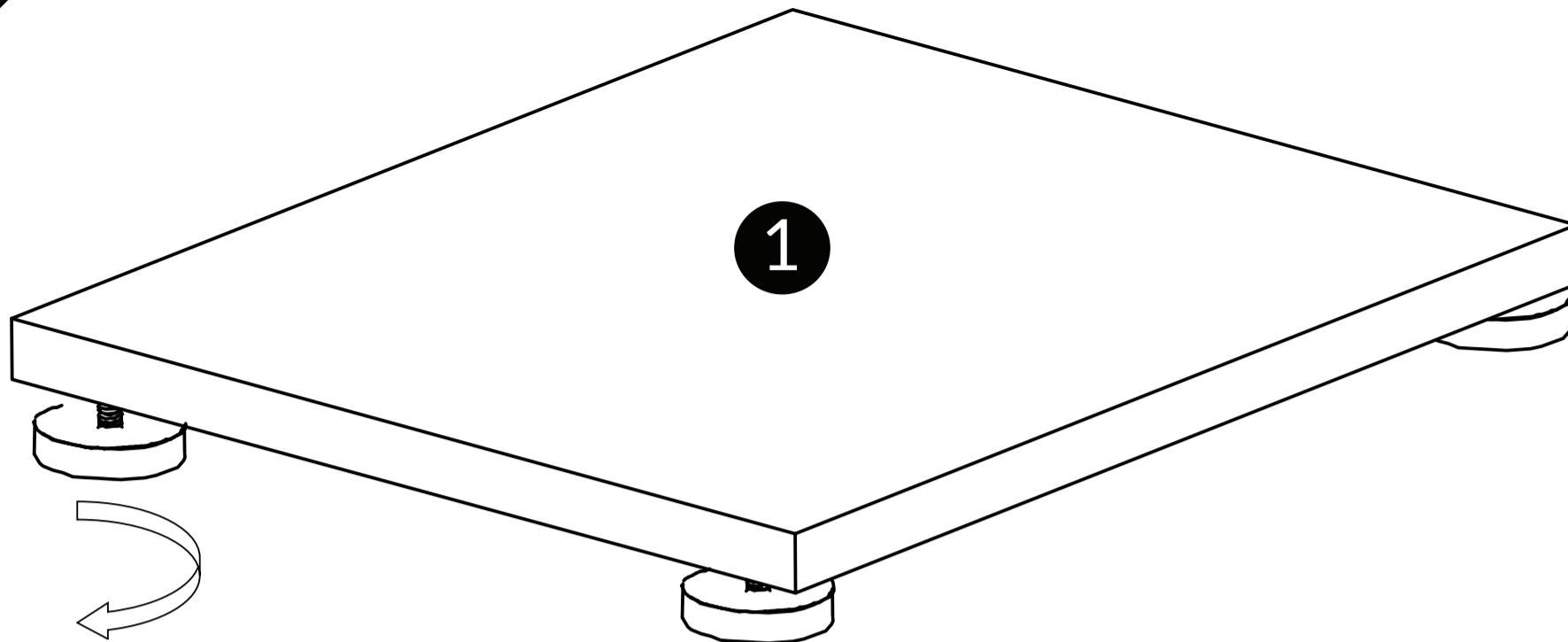
## Hardware

- |   |   |  |   |  |  |  |   |
|---|---|--|---|--|--|--|---|
| <b>A</b><br><br>Wood Dowel<br>Ø8x30mm<br>16 pieces | <b>B</b><br><br>Phillips-head Screwdriver<br>1 piece | <b>C</b><br><br>Cam Screw<br>6mm x 40mm<br>9 pieces | <b>D</b><br><br>Cam Lock<br>Ø15x3<br>9 pieces | <b>E</b><br><br>Wood Caps<br>Ø16x8mm<br>13 pieces | <b>F</b><br><br>Machine Screw<br>M6x30mm<br>29 pieces | <b>G</b><br><br>Washer<br>12x6x1.2mm<br>31 pieces | <b>H</b><br><br>Machine Screw<br>M6x38mm<br>2 pieces |
|---|---|--|---|--|--|--|---|

## Parts

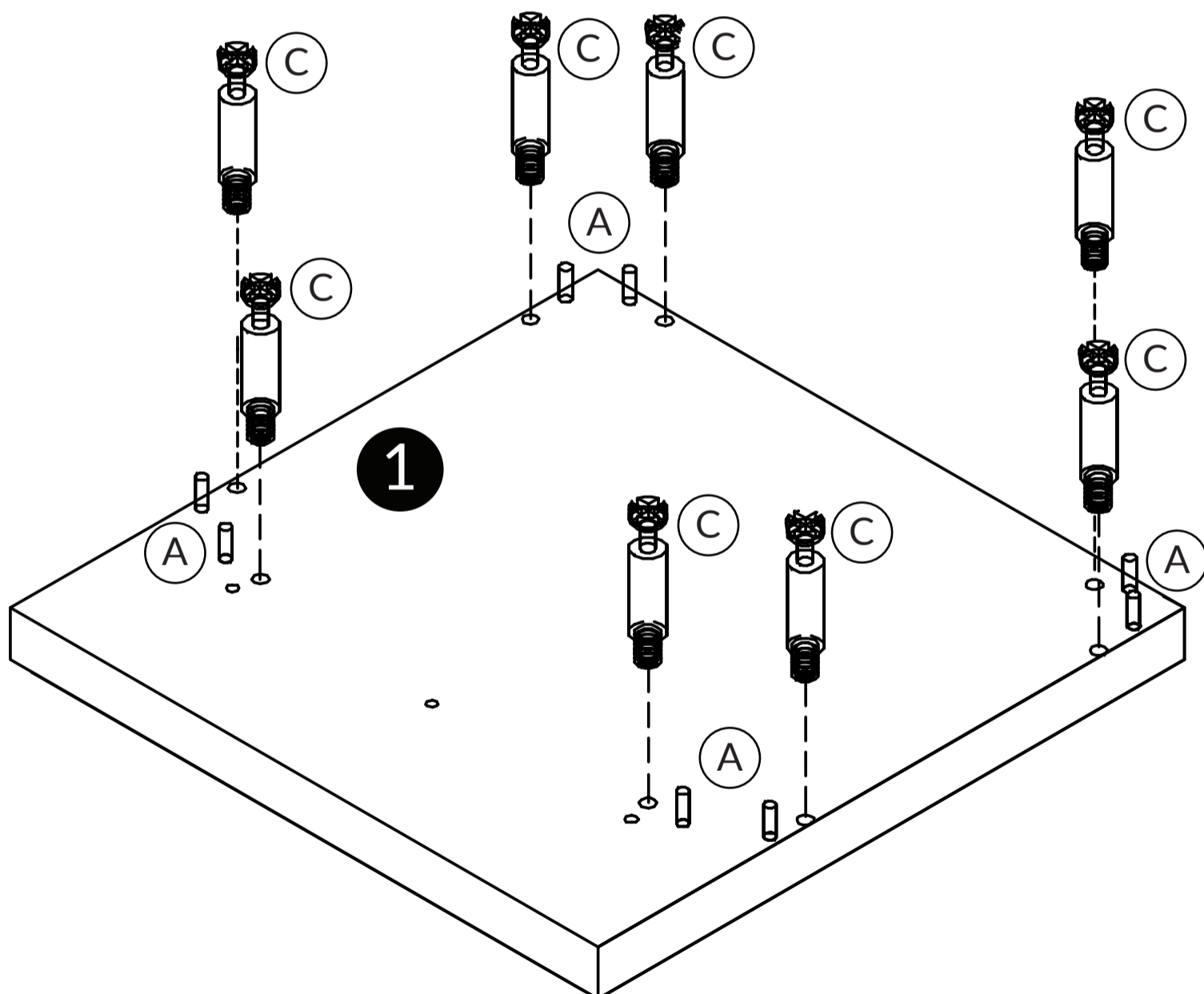
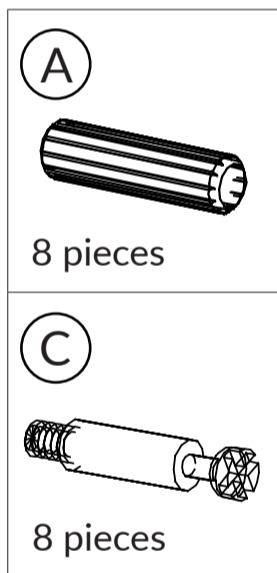


1

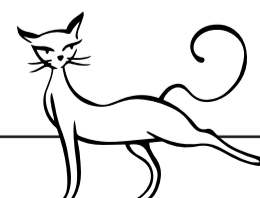


Adjust levelers so base is stable on floor.

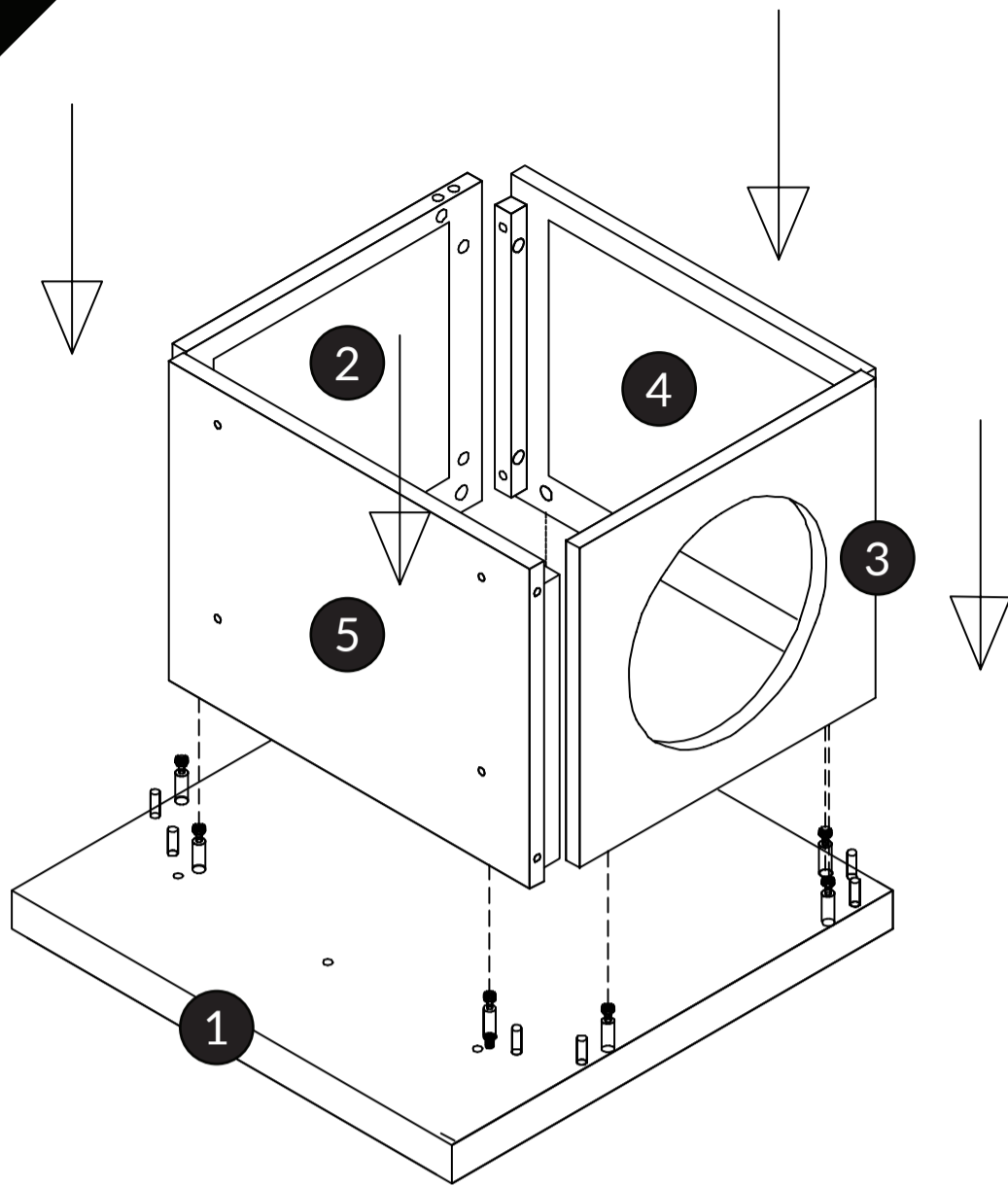
2



Install wood dowels (A) and cam screws (C) into part 1.



3

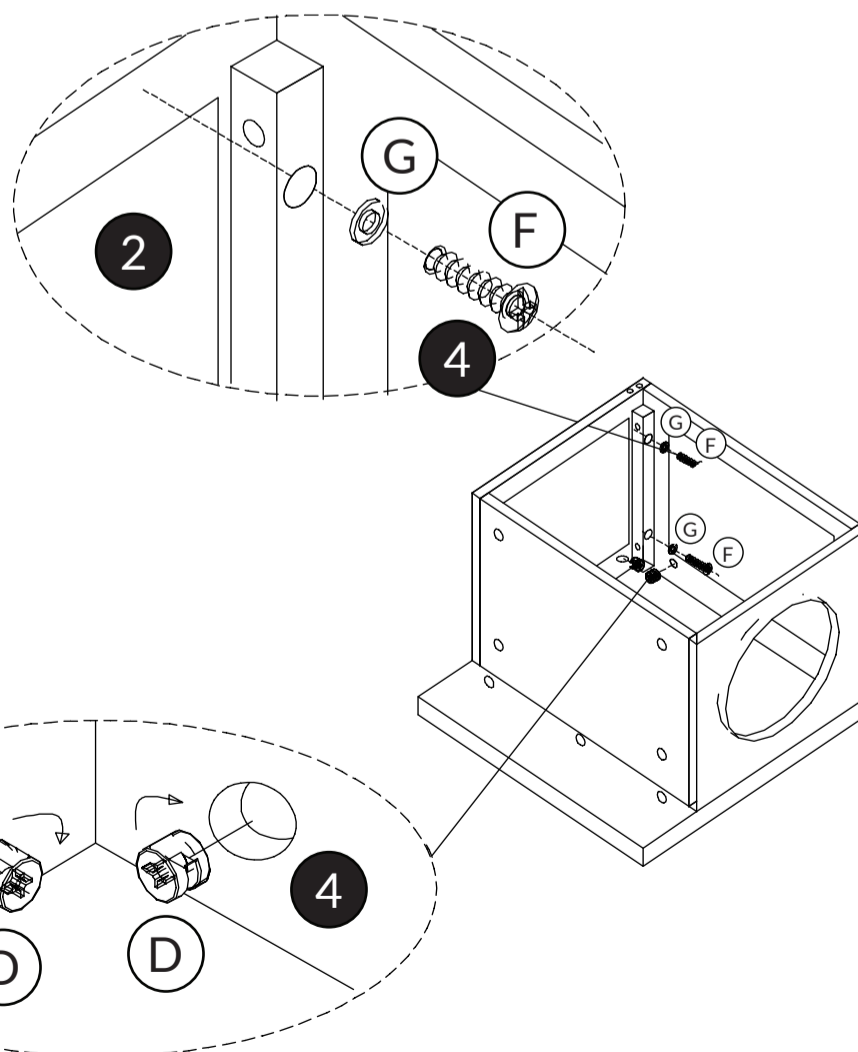
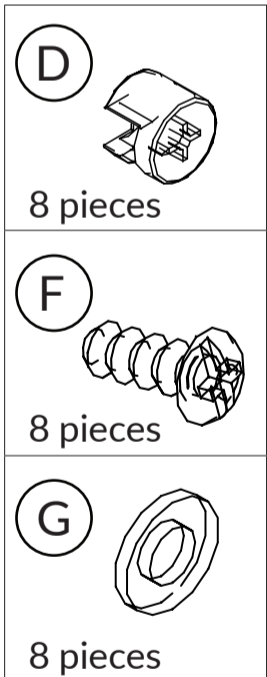


Place parts 2, 3, 4, 5 over installed hardware on part 1.

Tip: Part 4 should be flush to the edge of part 1. Part 3 with the round entrance hole should be to its right.

4

Insert hardware into all 4 walls:



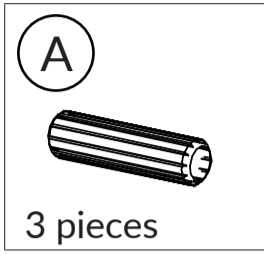
Place washer (G) over screw (F) and insert them into four walls of cubby.

Place cam lock (D) into the bottom holes of the cubby and turn to lock. The arrow should initially point downwards before turning.

Tip: Do not force cam lock to turn. Remove cubby wall, counter-turn cam screw slightly so it raises, replace wall, and turn cam lock until it catches.

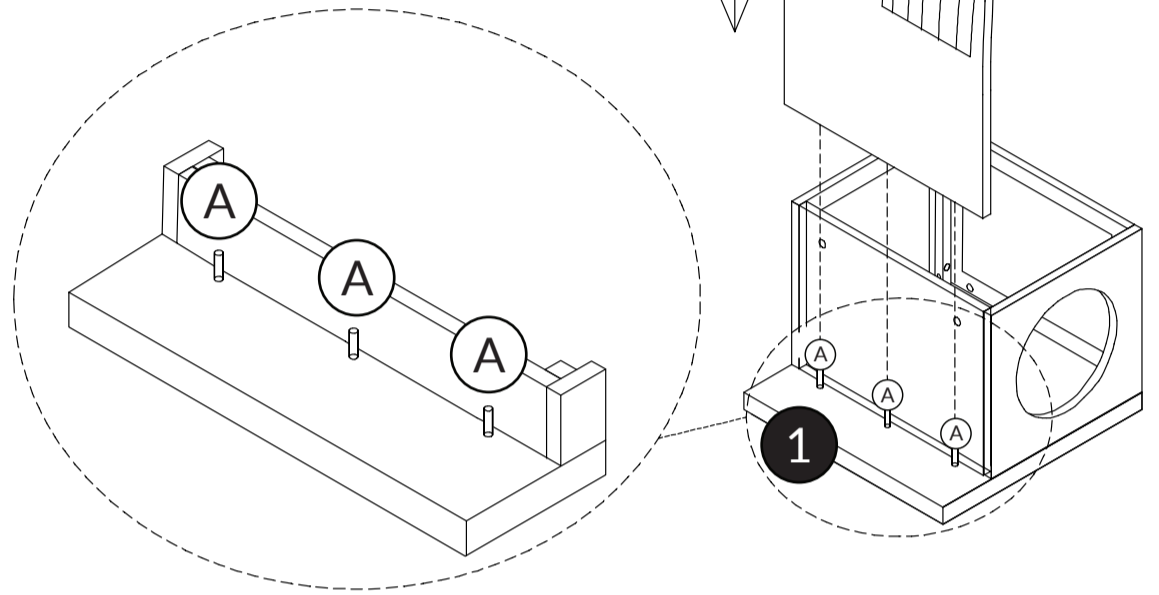


5

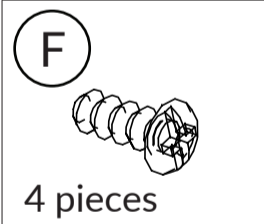


Insert wood dowels (A) into part 1.

Place part 8 onto dowels.

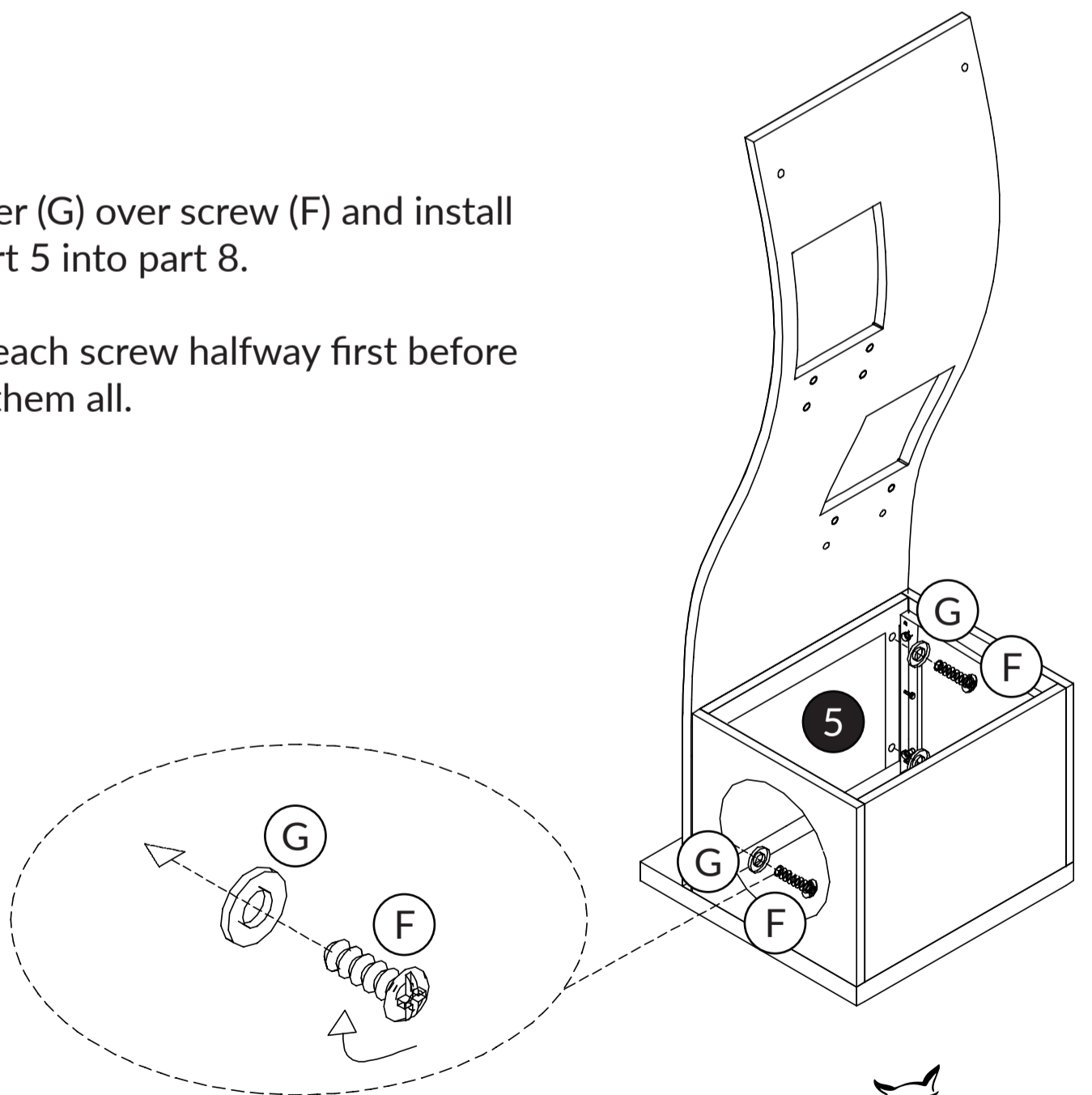


6







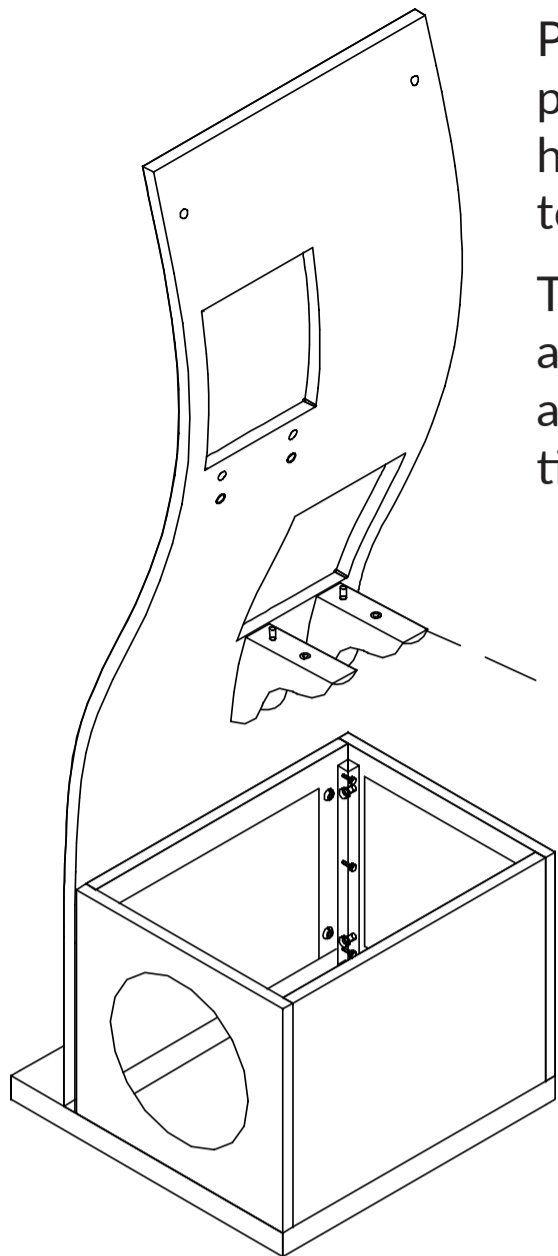
Place washer (G) over screw (F) and install through part 5 into part 8.

Tip: Install each screw halfway first before tightening them all.



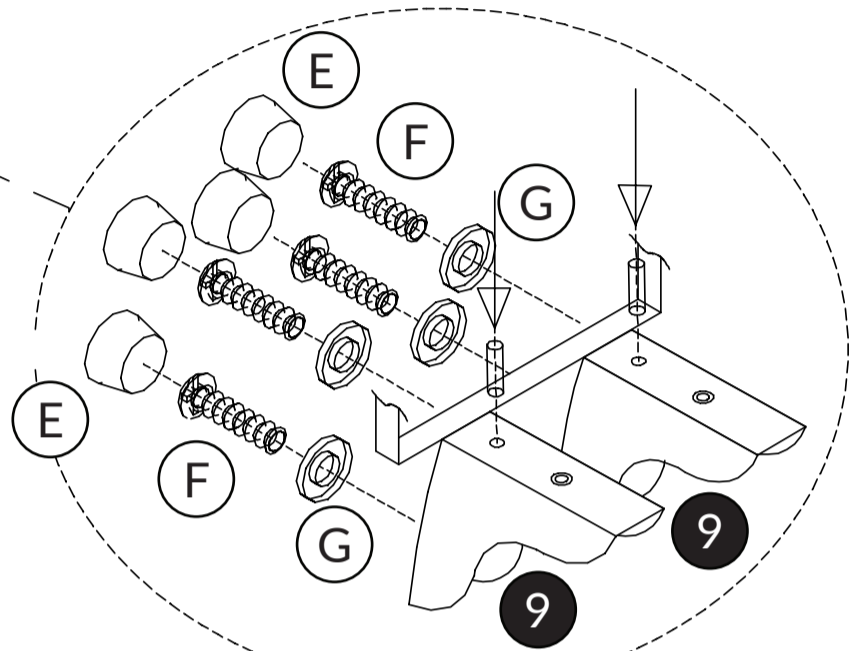
7

- G**  4 pieces
- F**  4 pieces
- A**  2 pieces
- E**  4 pieces





Place washer (G) over screw (F) and install through part 8 into part 9. Repeat. Attach wood cap (E) into hole. Attach wood dowel (A) into hole that's closest to part 8.

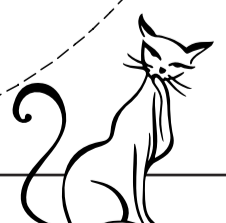
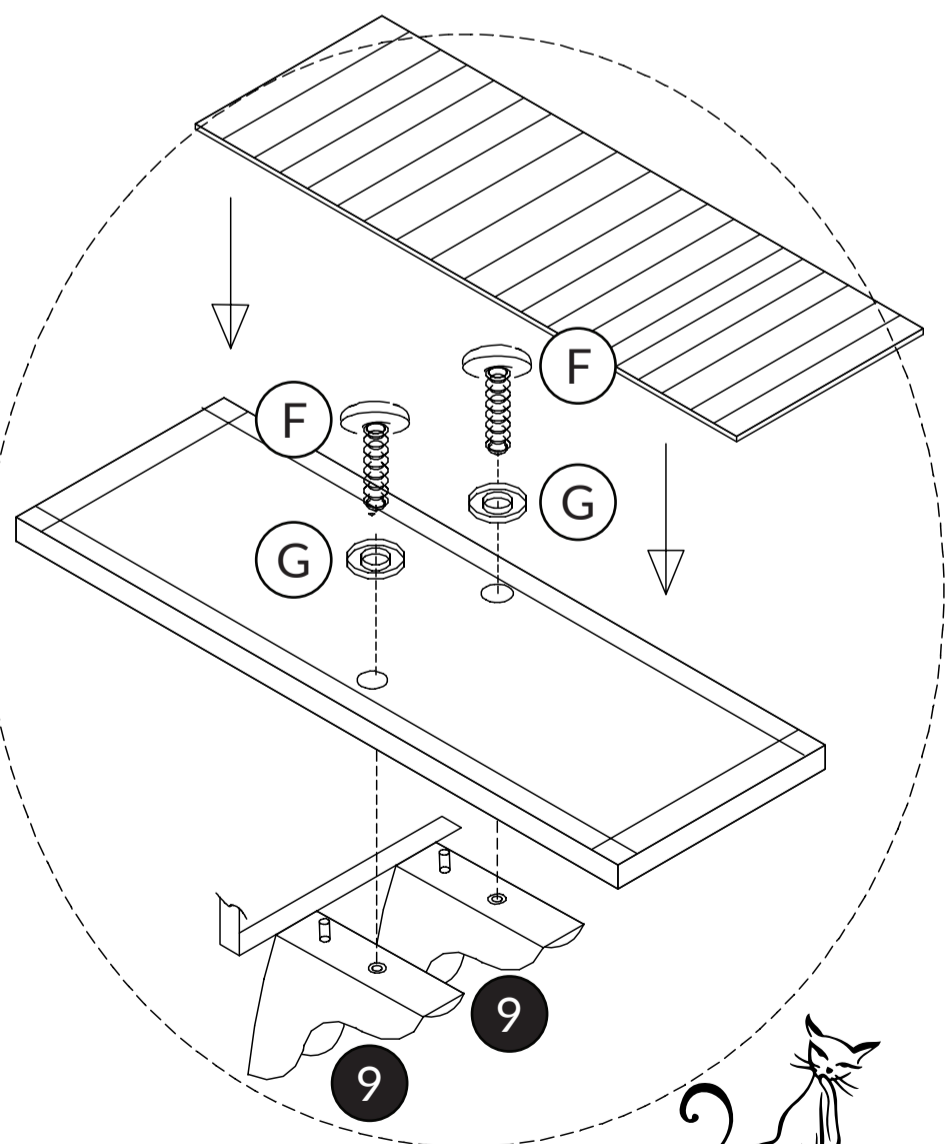
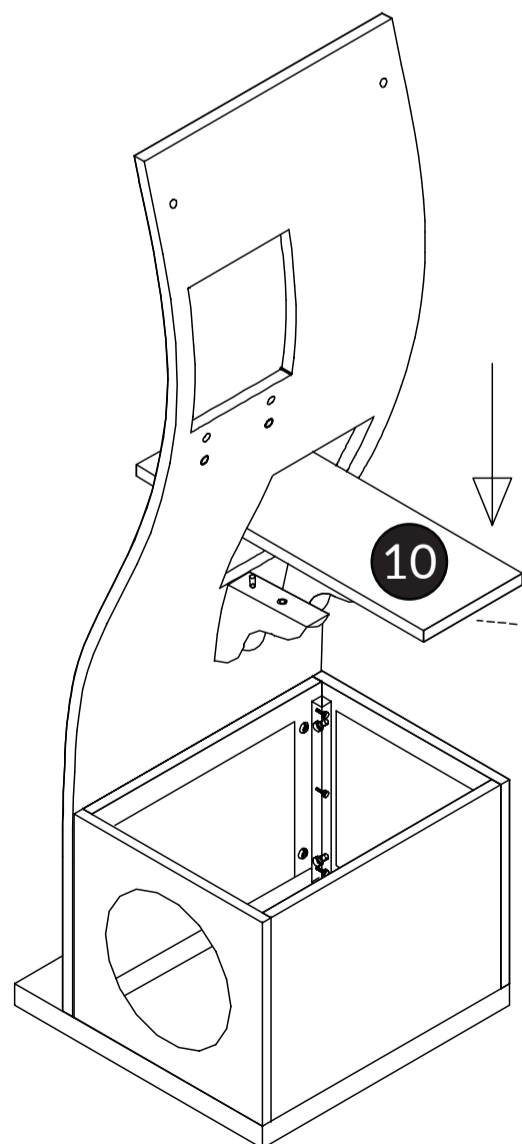
Tip: Do not tighten screw (F) completely. Tighten after step 8. To ensure wood caps remain in place, add drop of glue to wood caps after screws are tightened.



8


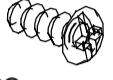

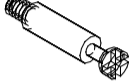


- G**  4 pieces
- F**  4 pieces

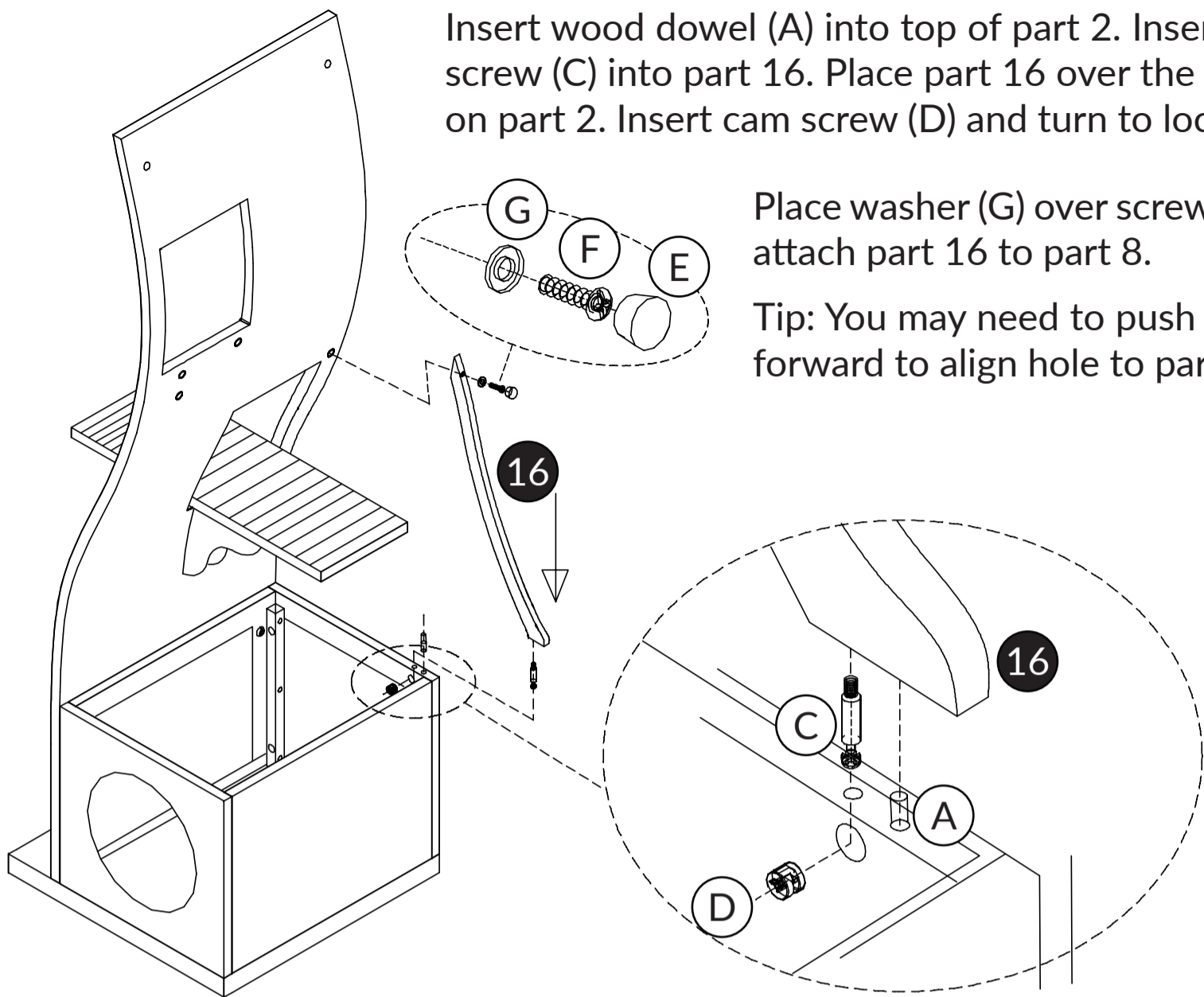
Place washer (G) over screw (F) to attach part 10 to part 9. Attach carpet to velcro of part 10.  
Tip: Make sure part 10 is level, then tighten screws that attach part 9 to part 8.



9

Insert wood dowel (A) into top of part 2. Insert cam screw (C) into part 16. Place part 16 over the dowel on part 2. Insert cam screw (D) and turn to lock.

- G**  1 piece
- F**  1 piece
- E**  1 piece
- C**  1 piece
- A**  1 piece
- D**  1 piece







Place washer (G) over screw (F) to attach part 16 to part 8.

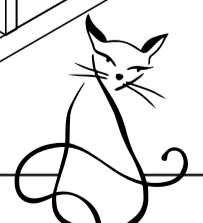
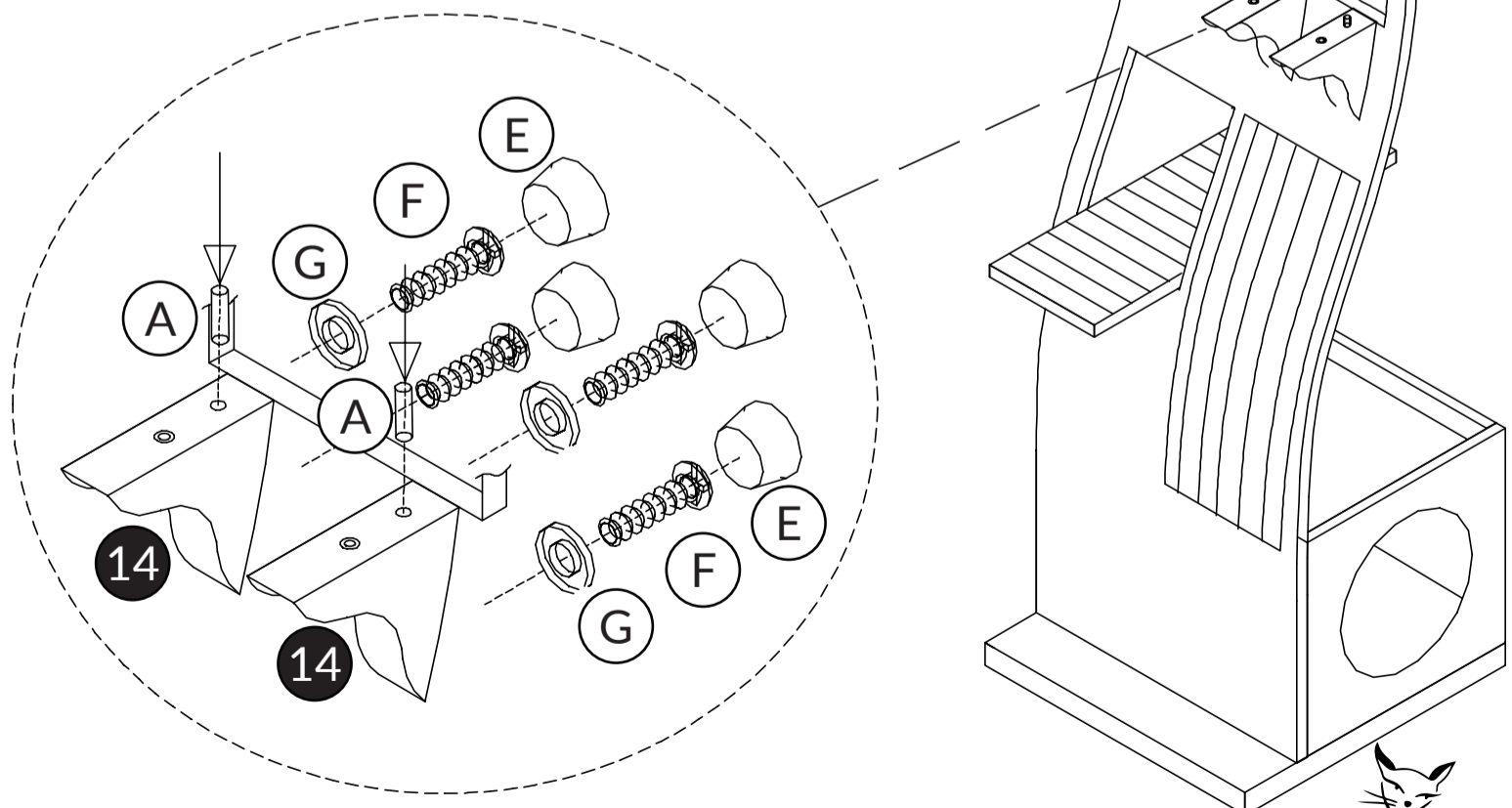
Tip: You may need to push part 8 forward to align hole to part 16.

10

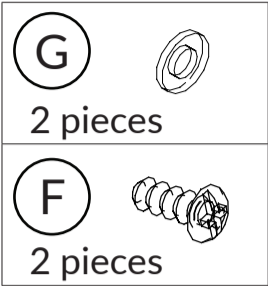
Place washer (G) over screw (F) and install through part 8 into part 14. Repeat. Attach wood cap (E) into hole. Attach wood dowel (A) into hole that's closest to part 8.

Tip: Do not tighten screw (F) completely. Tighten after step 11. To ensure wood caps remain in place, add drop of glue after screws are tightened.

- G**  4 pieces
- F**  4 pieces
- A**  2 pieces
- E**  4 pieces

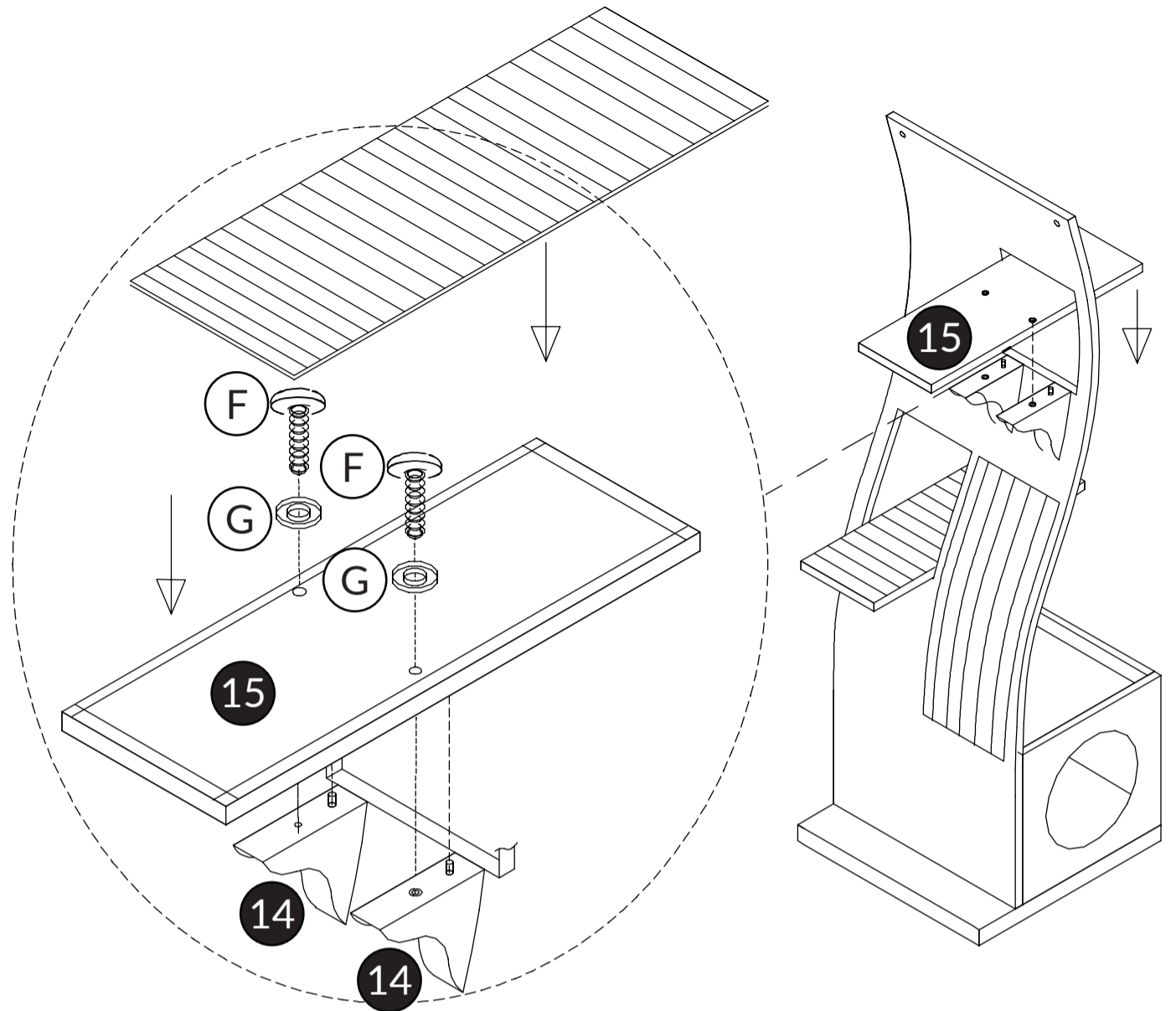


# 11

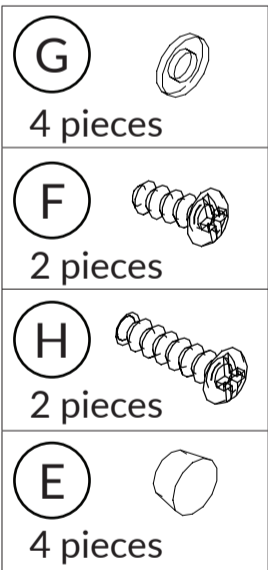


Place washer (G) over screw (F) to attach part 15 to part 14. Attach carpet to velcro of part 15.

Tip: Make sure part 15 is level, then tighten screws that attach part 14 to part 8.

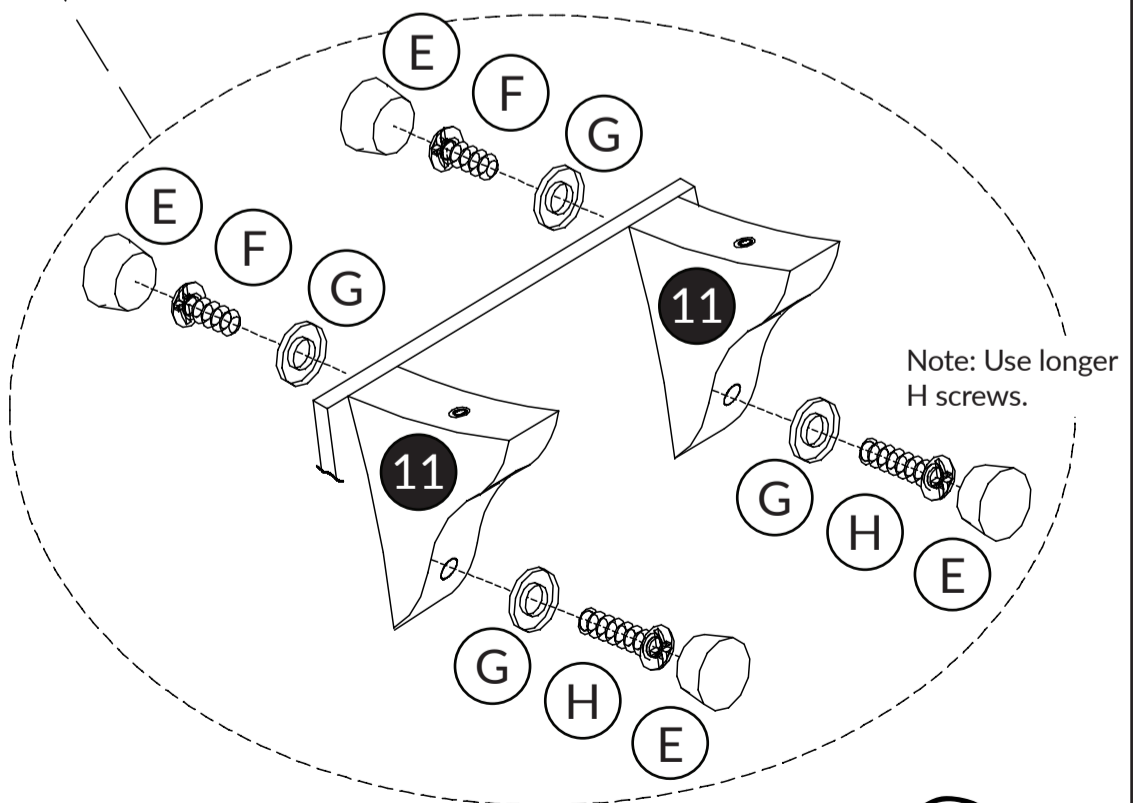
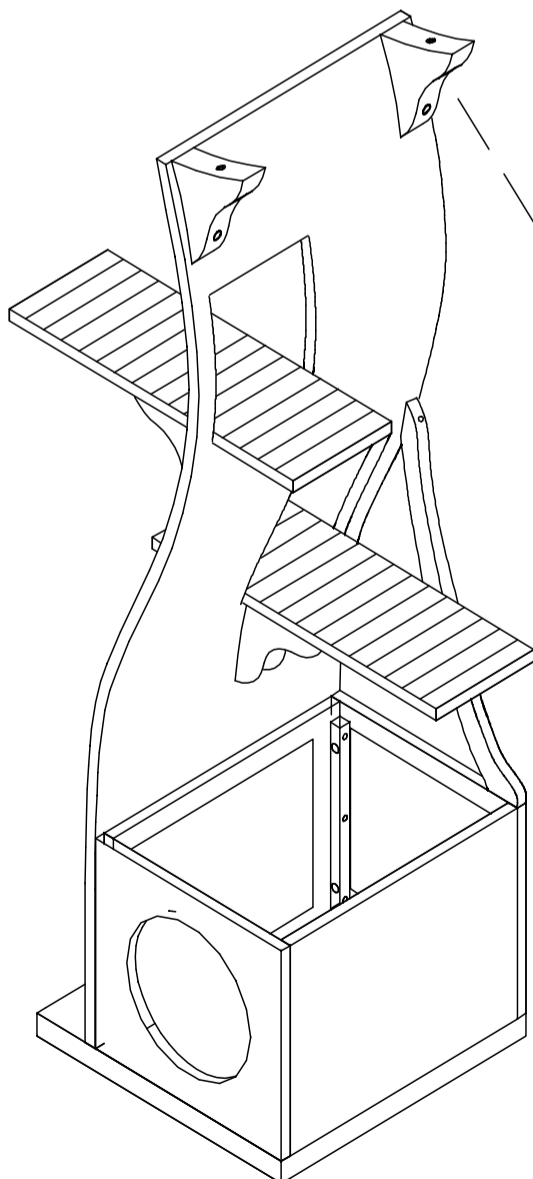


# 12





Place washer (G) over screw (H) and install through part 11 into part 8. Repeat. Place washer (G) over screw (F) and install through part 8 into part 11. Attach wood caps (E) into holes.

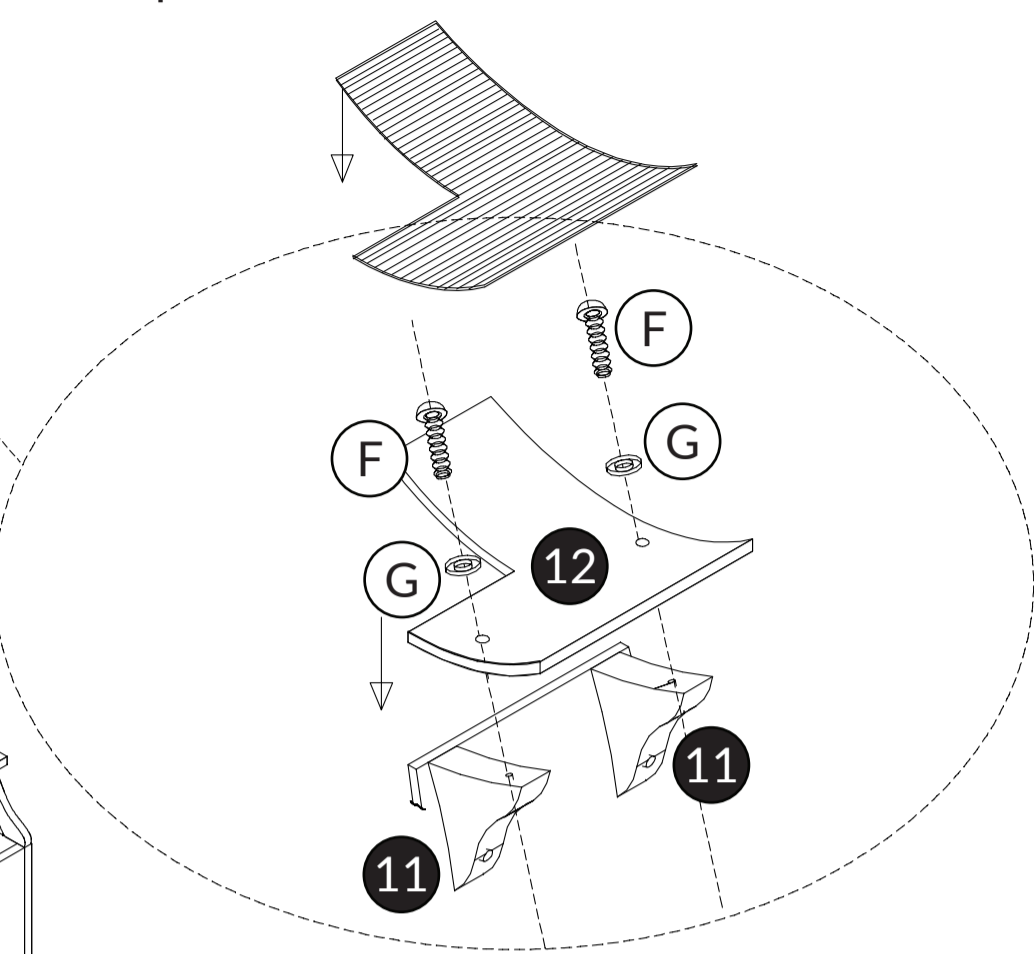
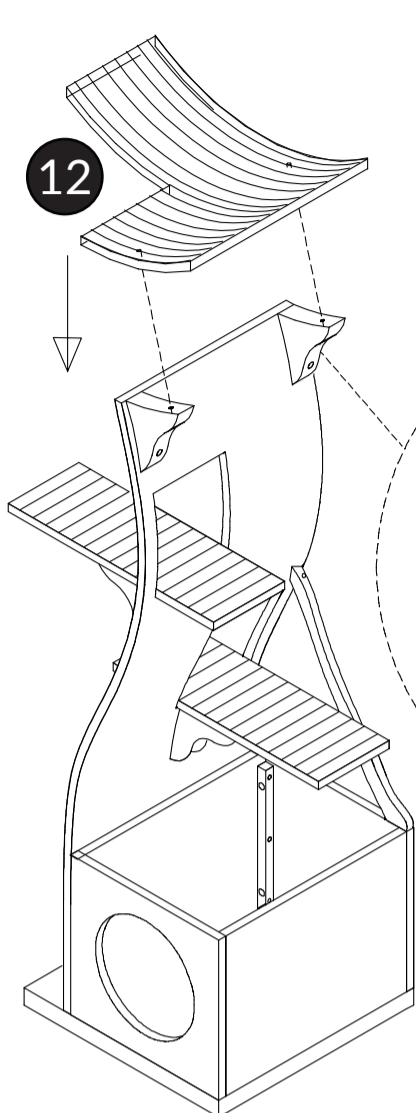
Tip: Do not tighten screw (F) completely. Tighten after step 13. To ensure wood caps remain in place, add drop of glue after screws are tightened.



# 13

Place washer (G) over screw (F) to attach part 12 to part 11.  
Attach carpet to velcro of part 12.

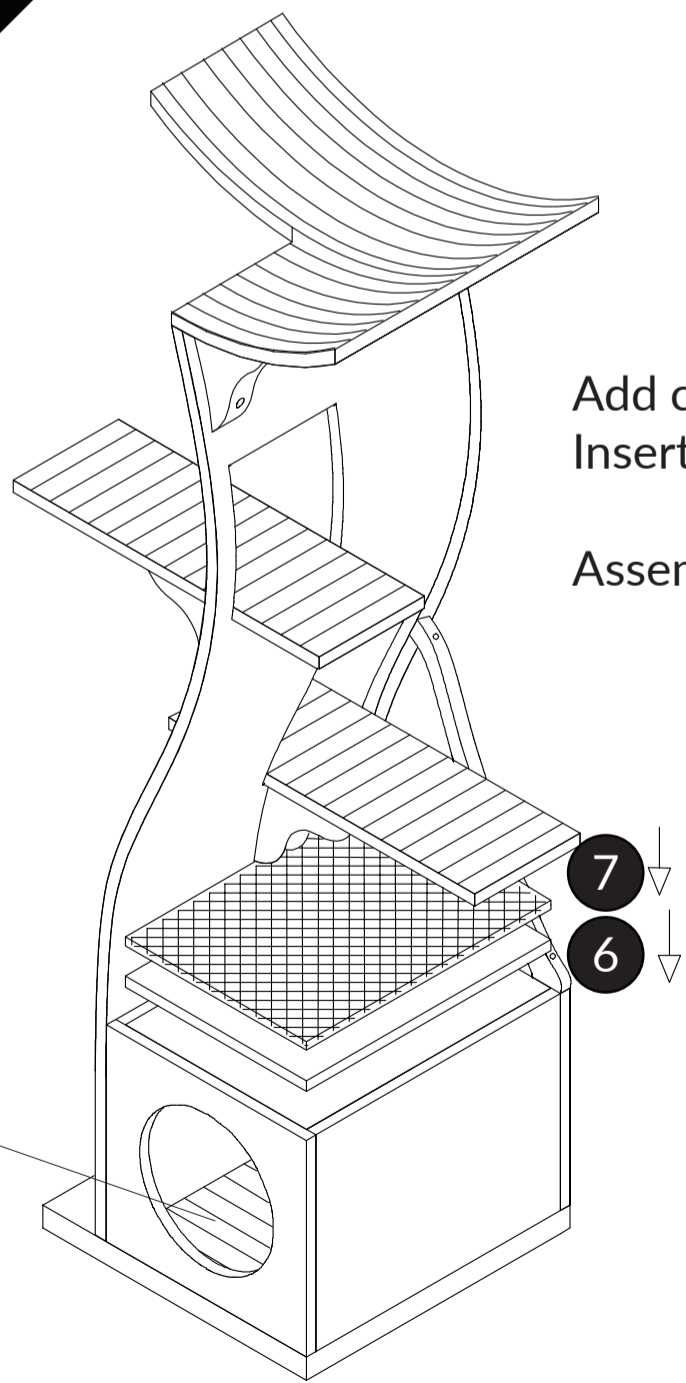
- G**  2 pieces
- F**  2 pieces



Tip: Make sure part 12 is level, then tighten screws that attach part 11 to part 8.

Cut out of part 12 should be over platform part 15.

# 14

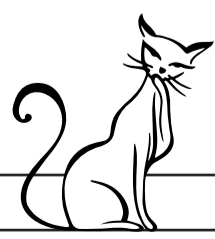


Add cubby roof, part 6, onto top of cubby.  
Insert cushions, parts 7 and 13, inside and on top of cubby.

Assembly complete. Enjoy!

Tip: Cushions are machine washable: cold, gentle cycle. Colors may bleed. Sisal and Carpet are NOT machine washable, use pet approved cleaner.

Carpets, cushion covers, and sisal are replaceable  
Visit [TheRefinedFeline.com](http://TheRefinedFeline.com) to order.



## About The Refined Feline

The Refined Feline's mission is to bring modern, innovative designs to cat furniture. We strive to reinvent how people view the products that they and their feline companions use in their shared space. All of our cat trees, cat wall shelves, cat beds, and litter box furniture are thoughtfully crafted to be the best they can be for you, your home, and your cats. Our team of dedicated cat lovers believes that cat furniture should be embraced and admired as an integral part of your home, just like your cat.

Our cat furniture is about much more than just looking great in your home though; functionality is just as important. Our multipurpose and customizable cat furniture features replaceable parts so that you can always keep it looking fresh. We knew that cat furniture could be better so we raised the standards. As we say at The Refined Feline: **Love Your Cat. Love Your Home.**

---

## Warranty

We offer consumers a 6 month limited warranty. Warranty covers manufacturer defect and not wear and tear. Consumers are responsible for shipping cost of returning the product. Please contact Customer Service for an RMA# at (800) 289-6136 or support@therefinedfeline.com.

---

## Care Guide

Carpets for shelves, cushions, and sisal are replaceable. Optional shelf cushions are available as well. **DO NOT REMOVE CARPET UNTIL YOU ARE READY TO REPLACE IT.**

Cushions are machine washable, cold, gentle cycle. Color may bleed.

Sisal and carpet are NOT machine washable. Use pet approved spot cleaner.

Go to [www.TheRefinedFeline.com](http://www.TheRefinedFeline.com) to see our full product line as well as to purchase accessories or replacement parts.

---

### Have questions?

800-289-6136

Support@TheRefinedFeline.com

For video instructions on assembling your Lotus Cat Tower, Visit: [TheRefinedFeline.com/assembly/](http://TheRefinedFeline.com/assembly/) or scan QR code:



Share a cat photo on your new Lotus Cat Tower!

Find us on Facebook or tag on Instagram:  
#LotusCatTower  
@RefinedFeline



© RefinedKind Pet Products. All Rights Reserved