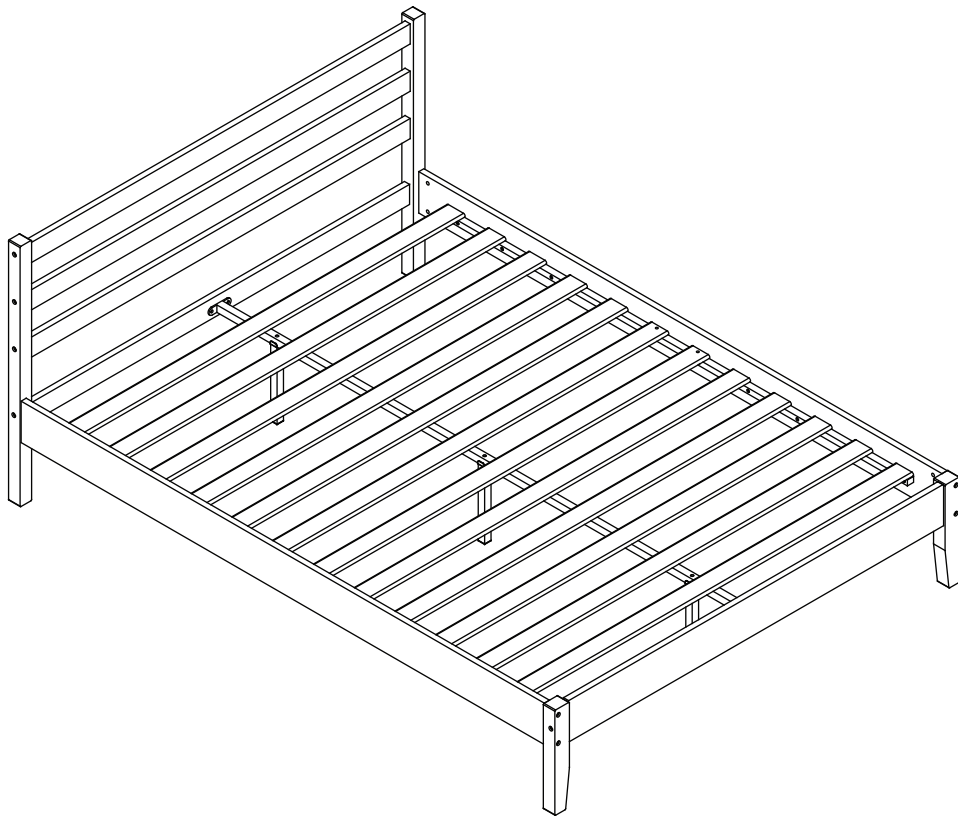
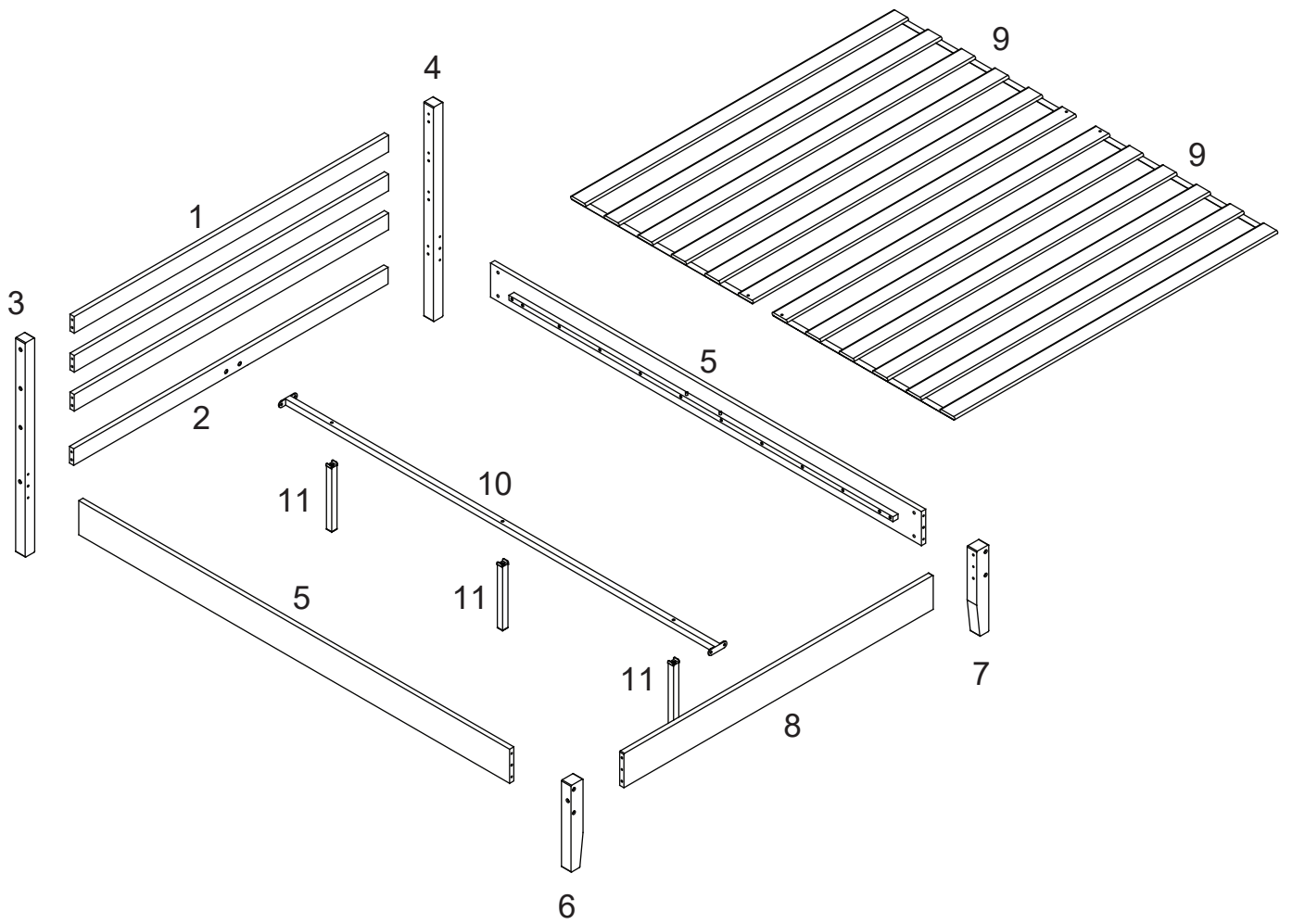


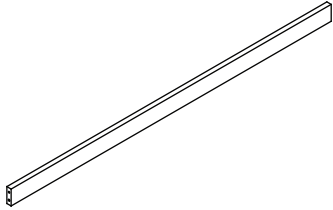
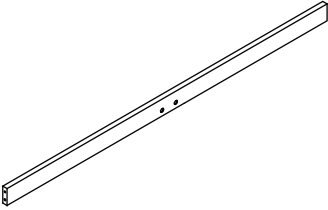


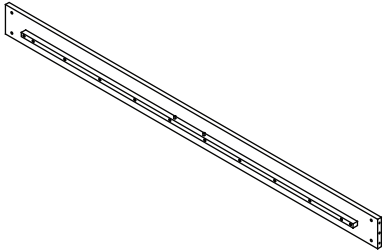
INSTRUCTION



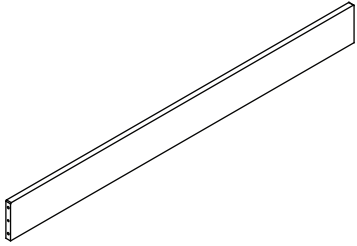
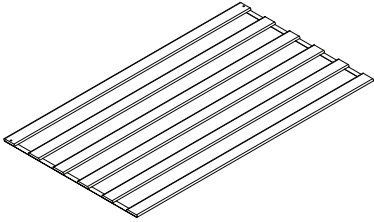
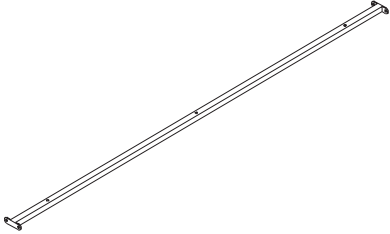

Platform bed



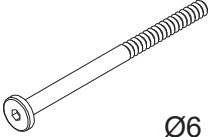

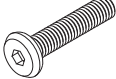
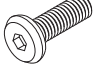

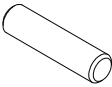
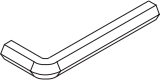


Parts :

	PARTS	Q'TY
1		03
2		01
3		01
4		01
5		02

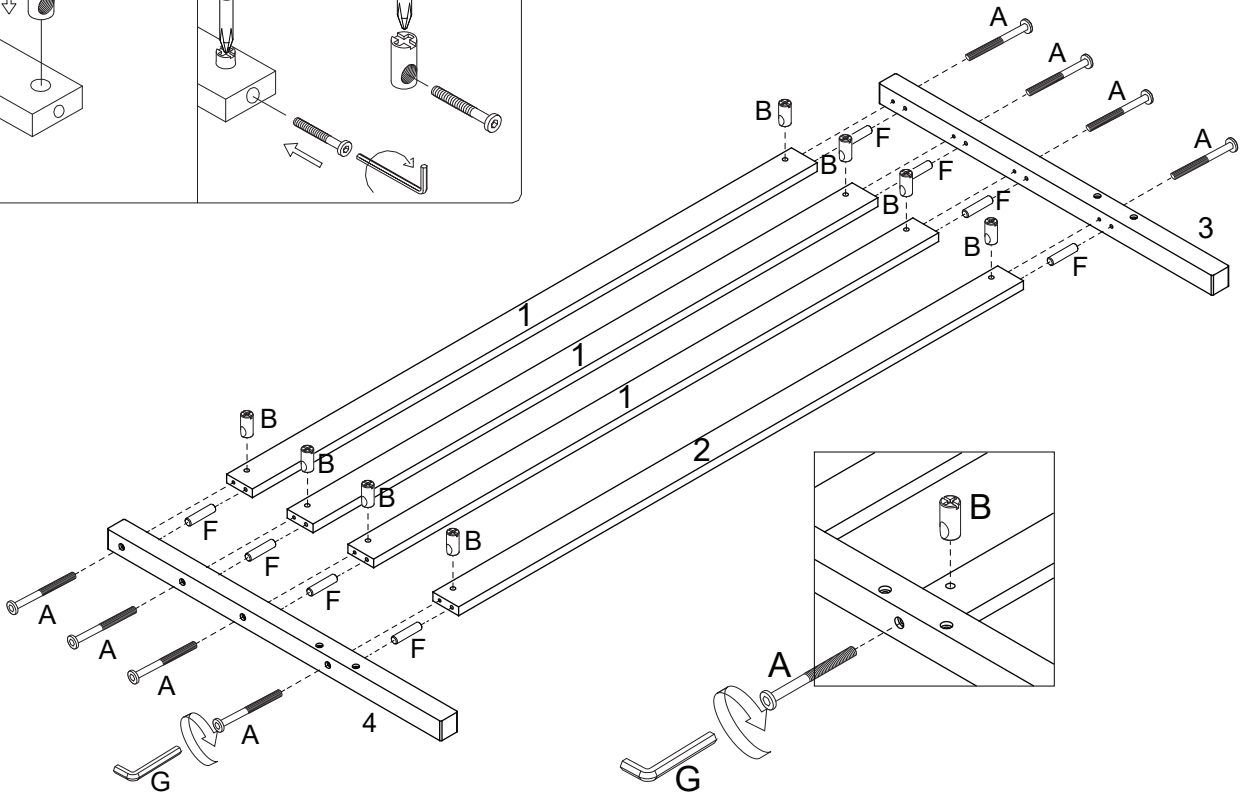
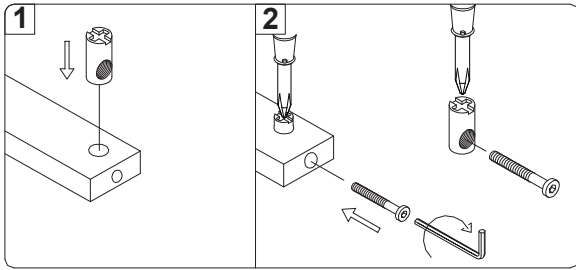
	PARTS	Q'TY
6		01
7		01
8		01
9		02
10		01
11		03

Hardware:

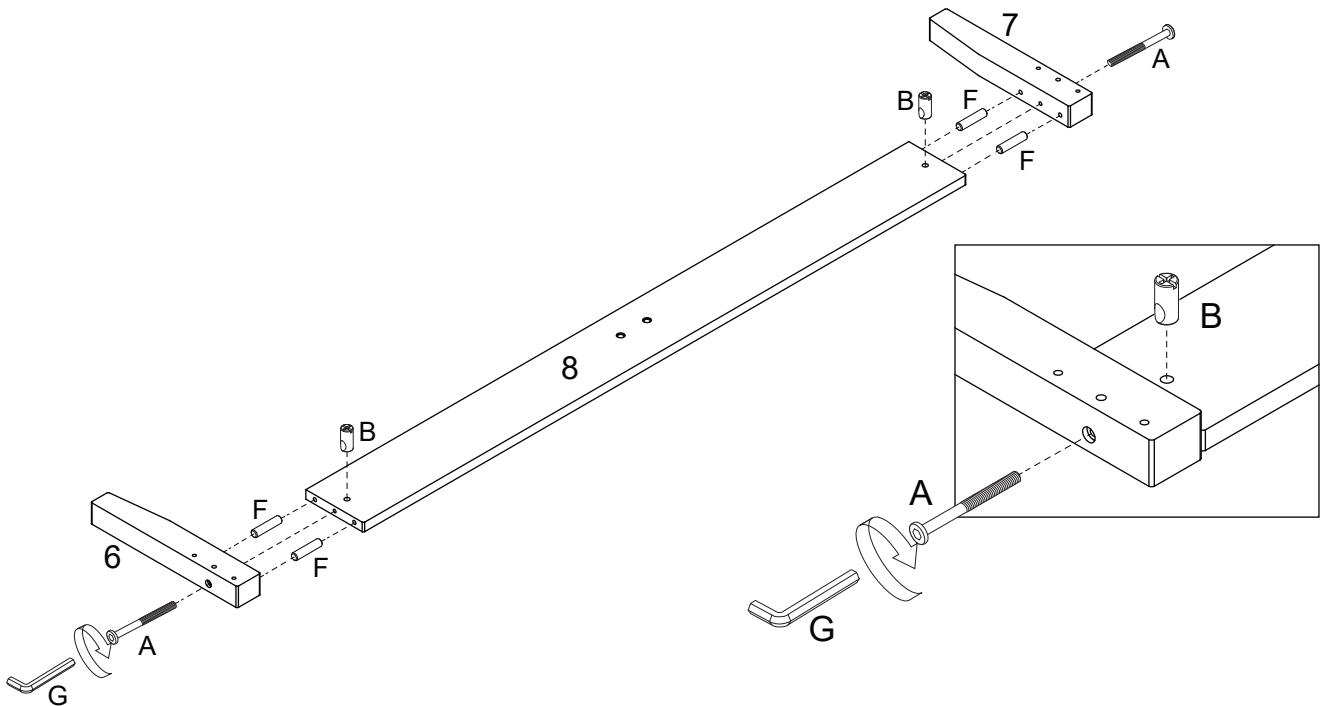
	HARDWARE	Q'TY	SPARE
A	 Ø6 x 90	18	2
B	 Ø6 x 22	18	2
C	 Ø8 x 35	03	0
D	 Ø8 x 20	04	0
E		07	1
F	 Ø10 x 30	16	2
G		01	0

Step By Step Assembly Instructions

Step 1 :

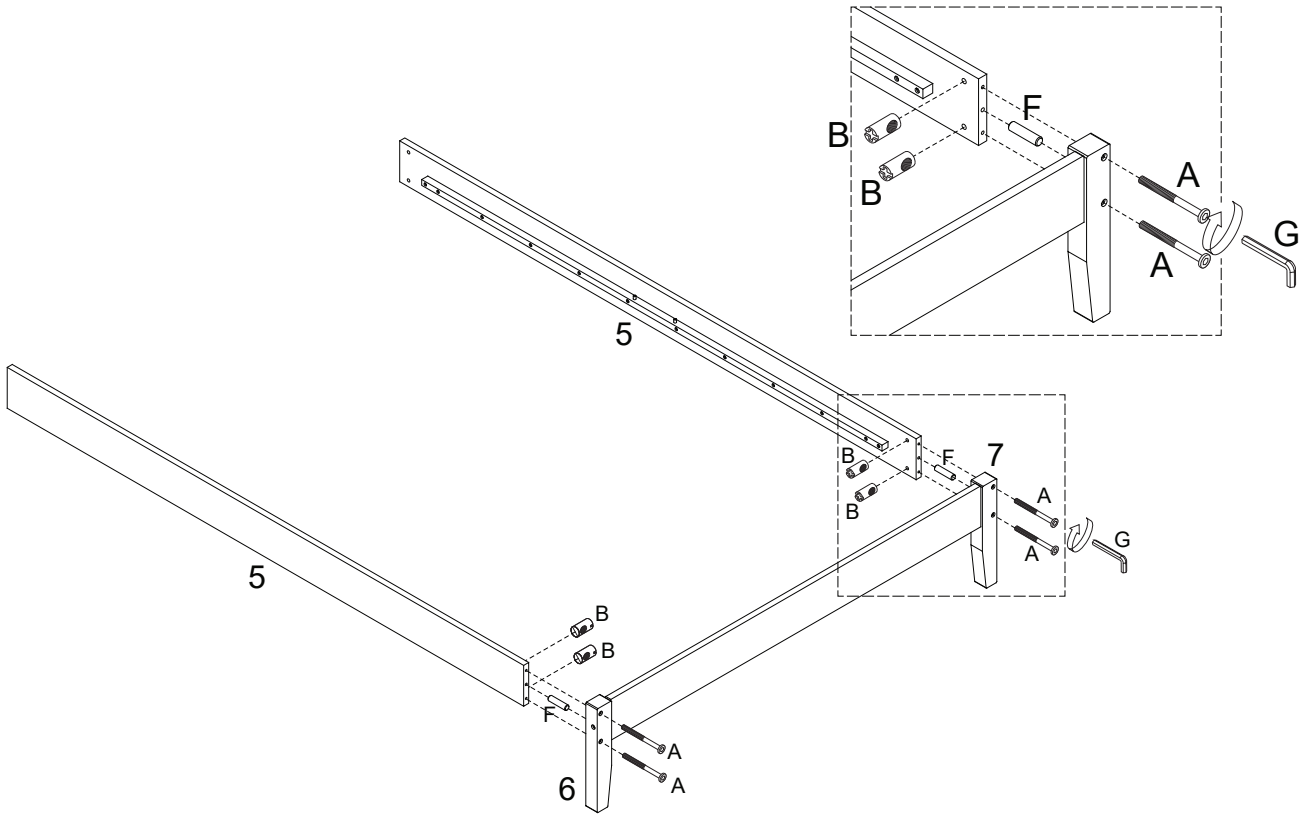


Step 2 :

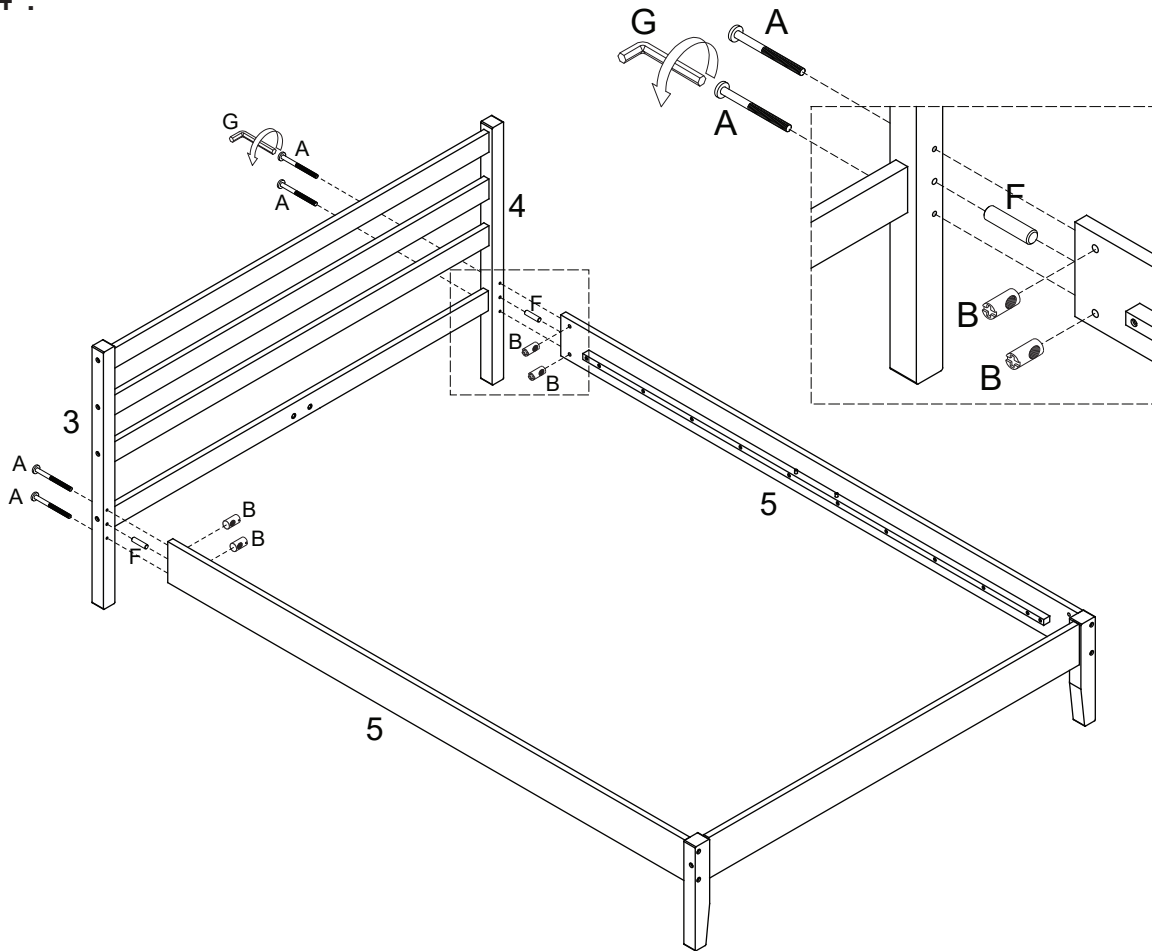


Step By Step Assembly Instructions

Step 3 :

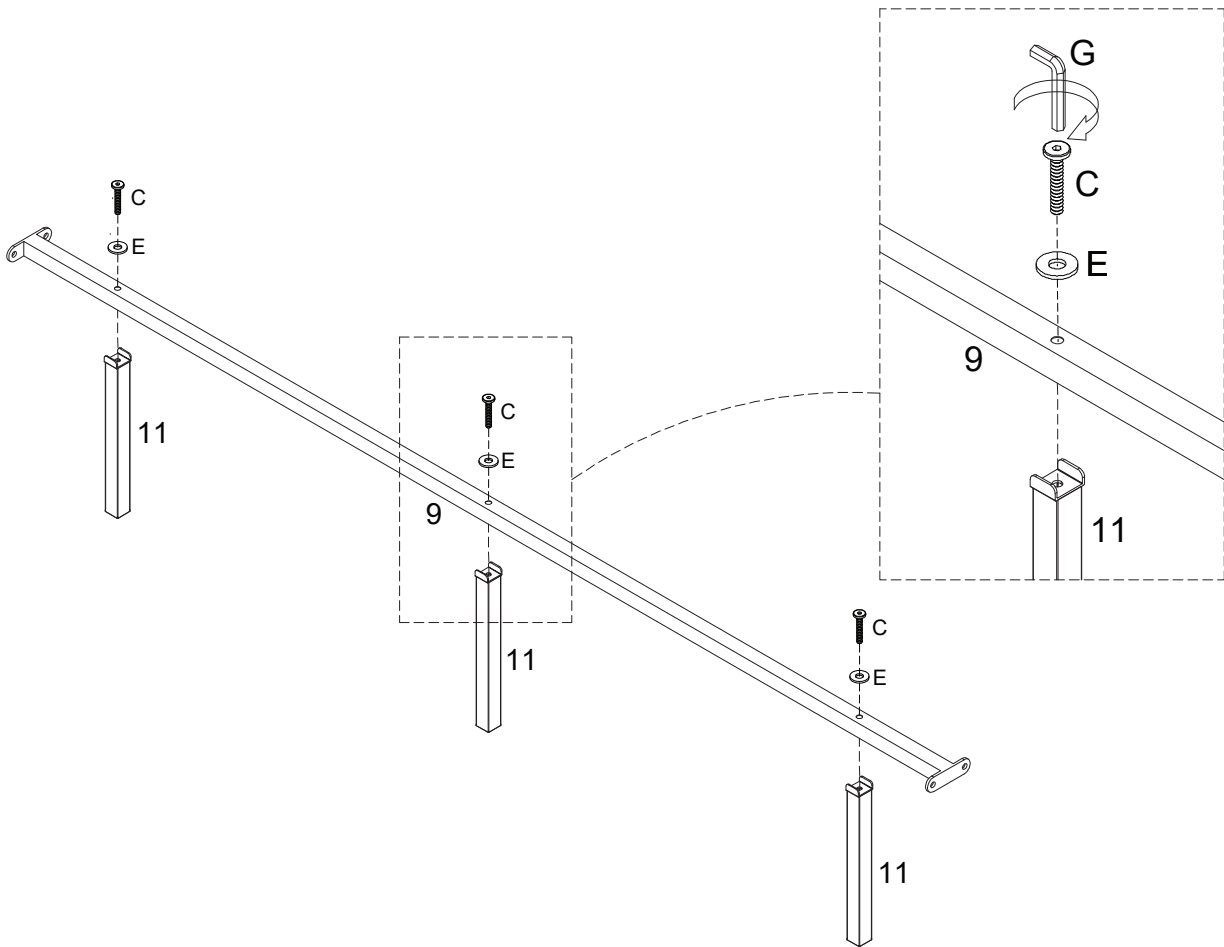


Step 4 :



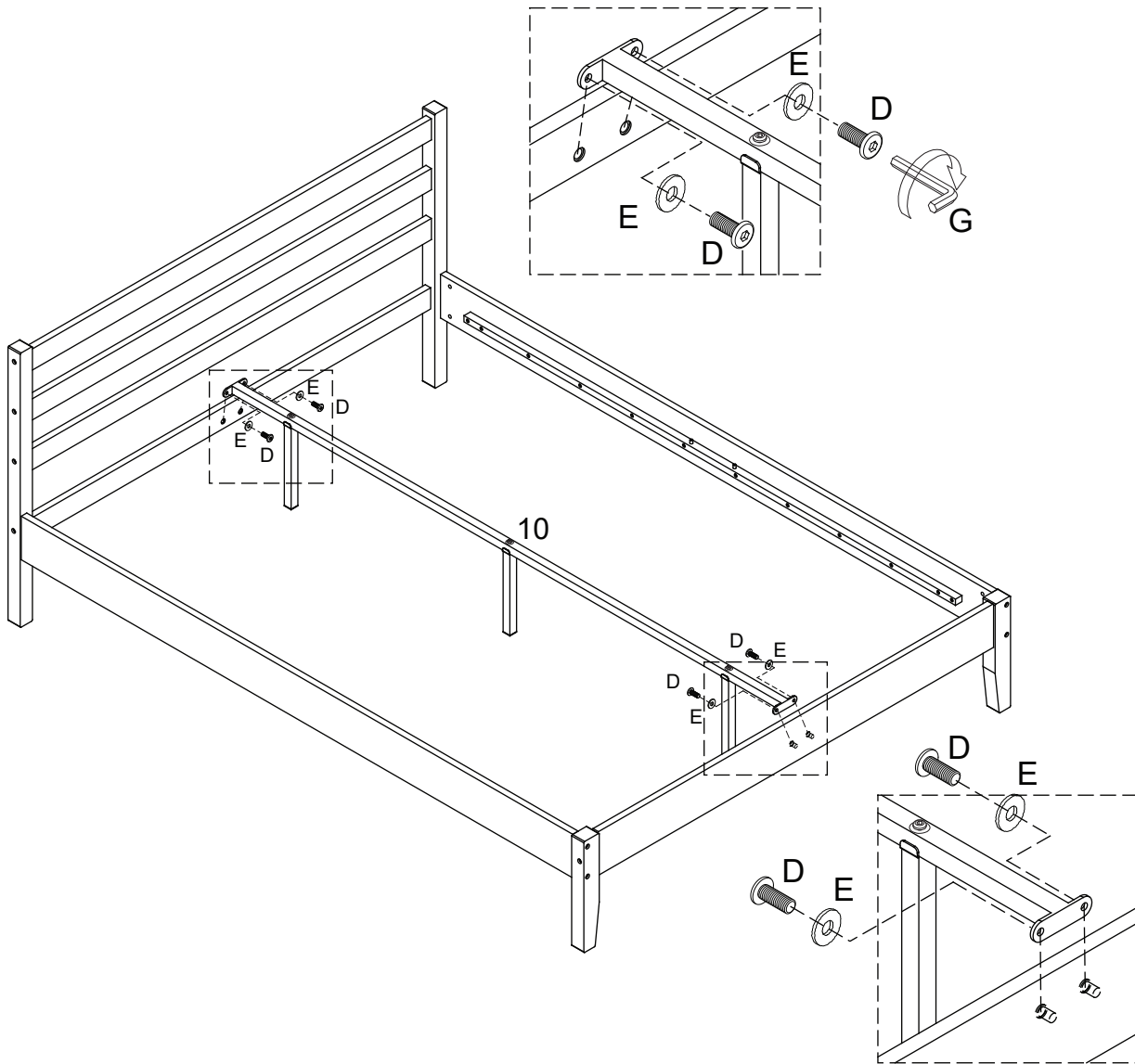
Step By Step Assembly Instructions

Step 5 :



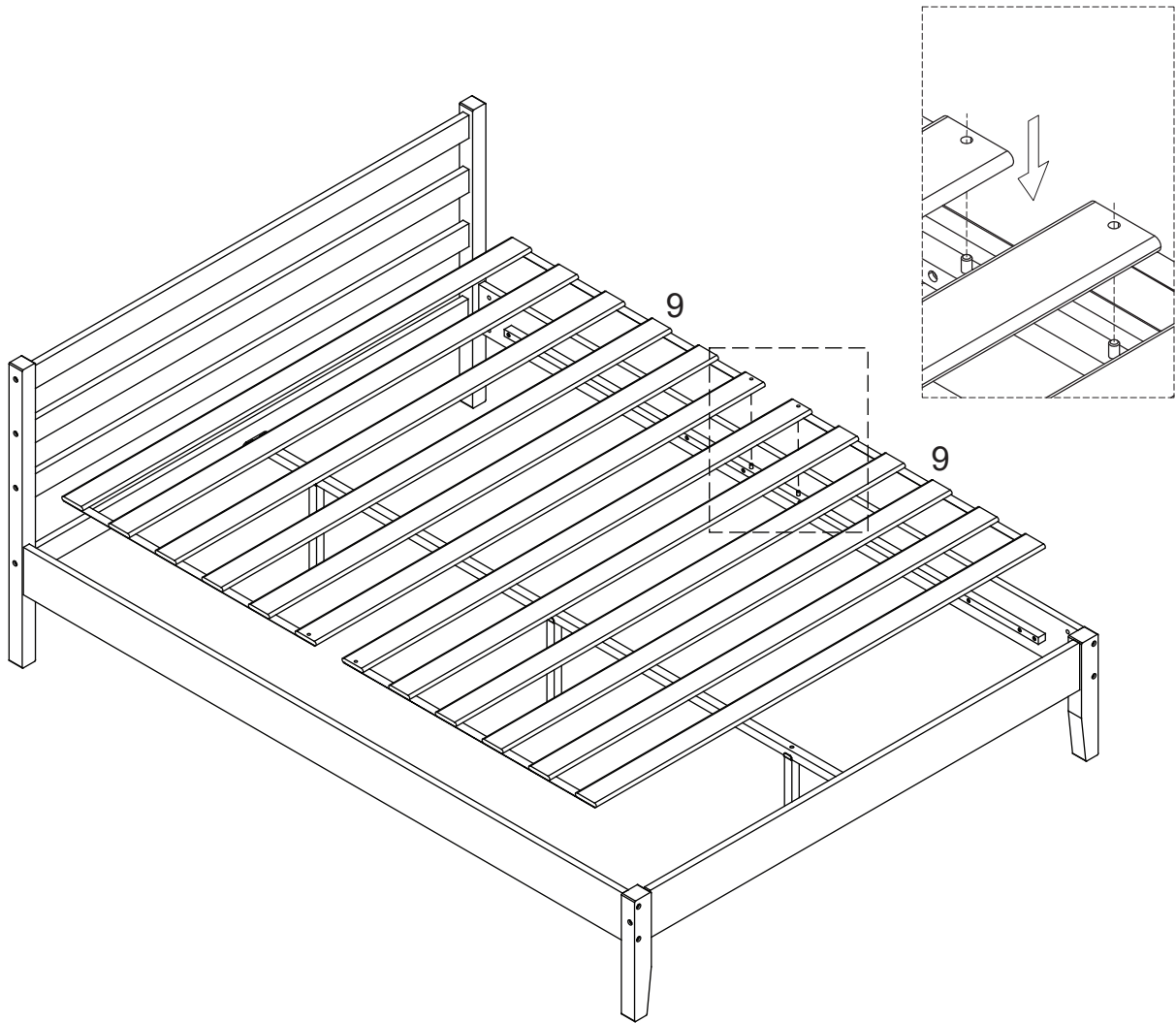
Step By Step Assembly Instructions

Step 6 :



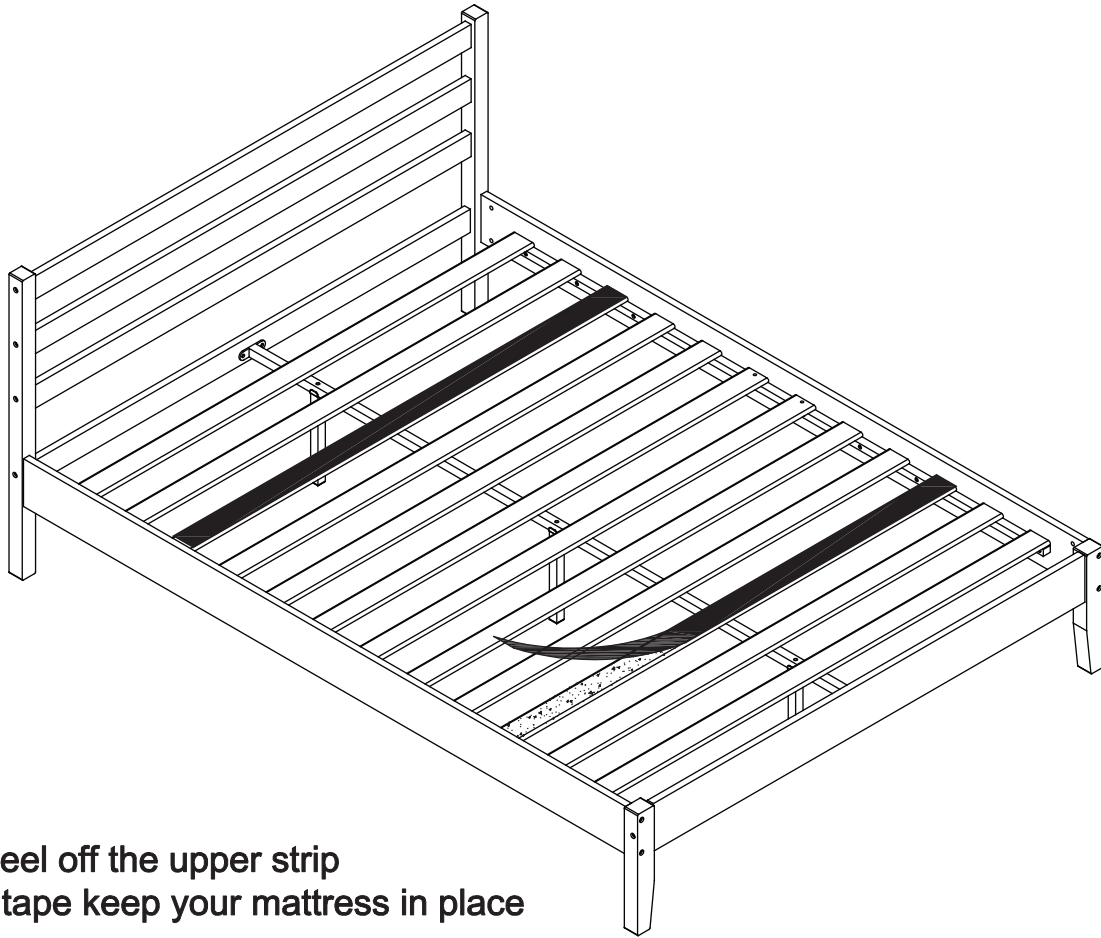
Step By Step Assembly Instructions

Step 7 :



Step By Step Assembly Instructions

Step 8 :



**Please peel off the upper strip
Non-slip tape keep your mattress in place**

Warning!

When the assembly bed needs to move, it can't be directly pushed and pulled. First of all, the foot of the bed should be lifted off the ground and then moved. Otherwise, the support rod in the middle of the bed can be crooked or broken.