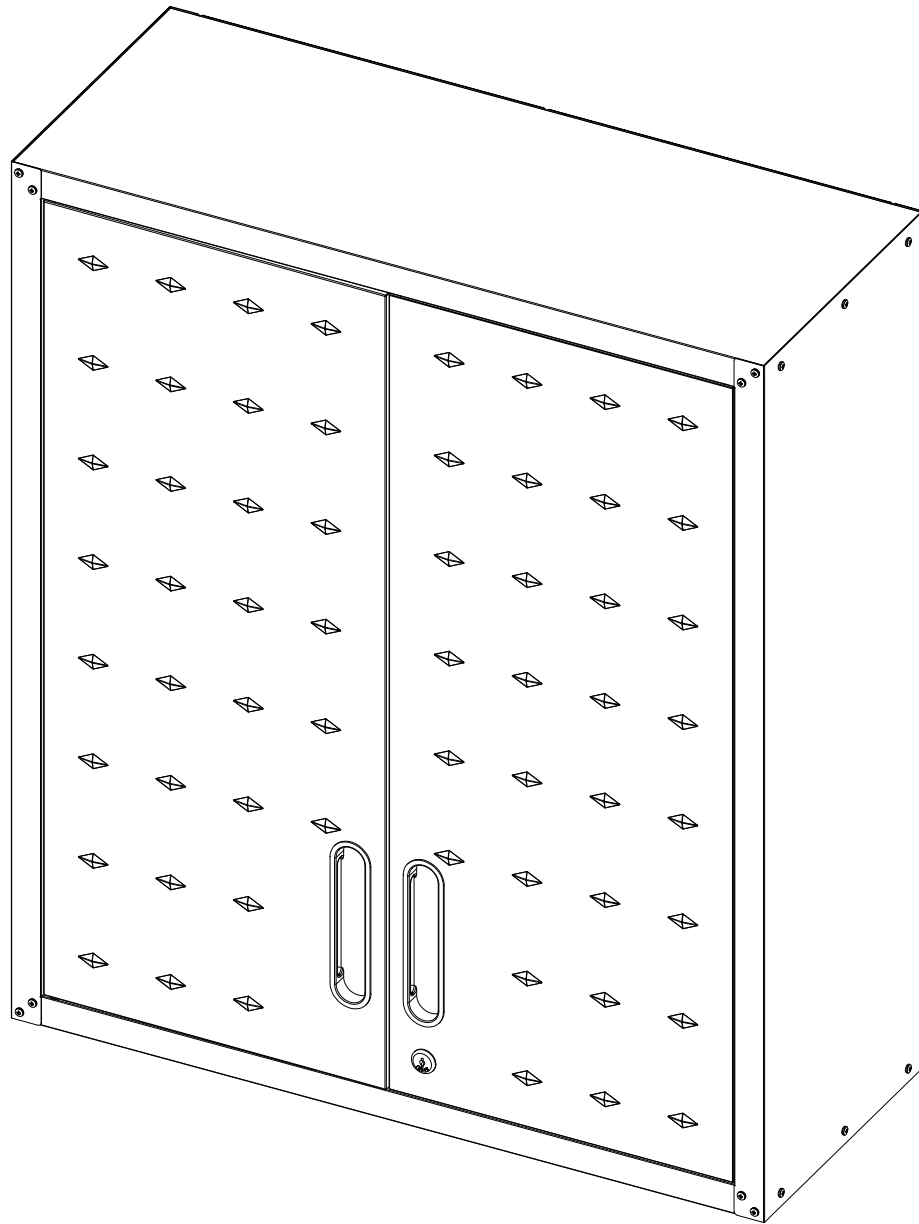
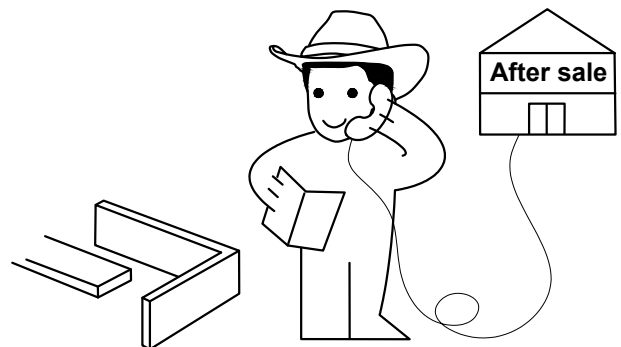
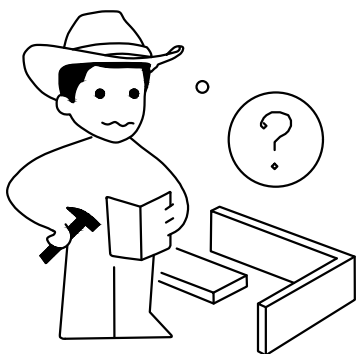
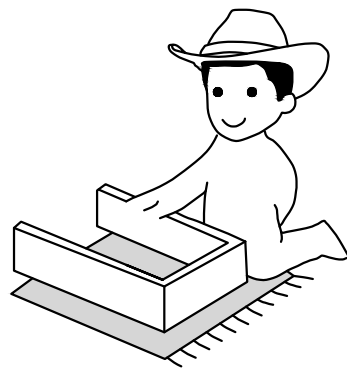
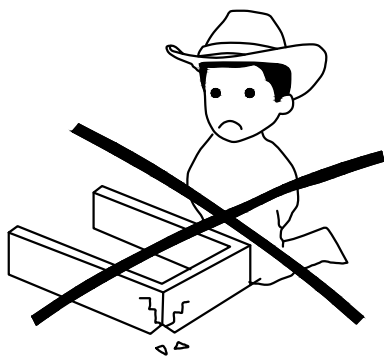
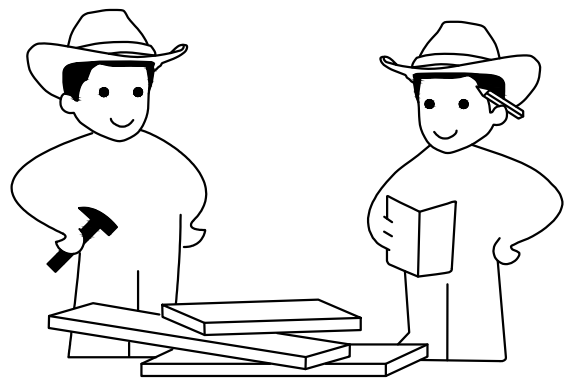
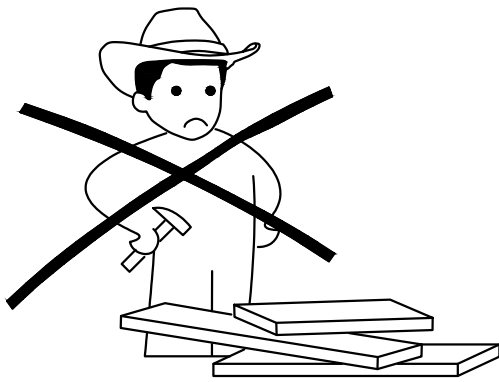
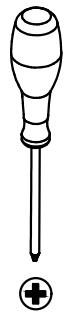
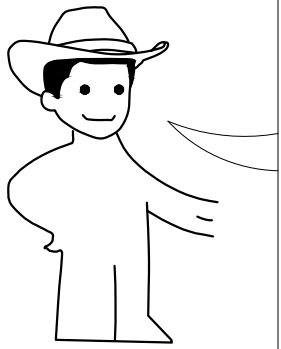
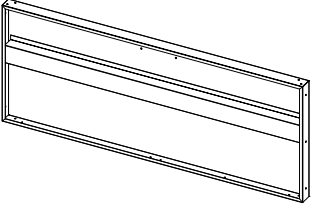
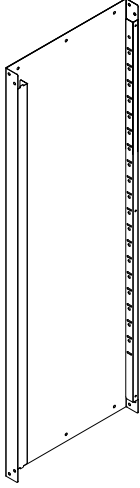
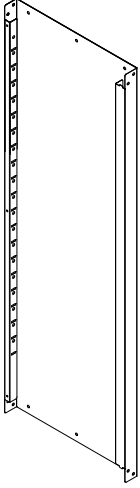
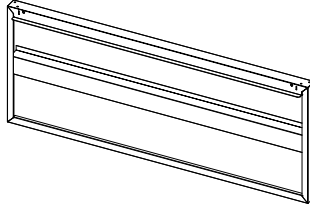
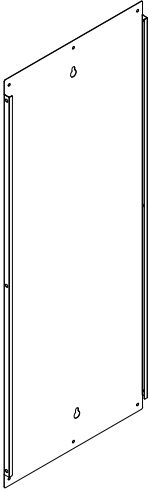
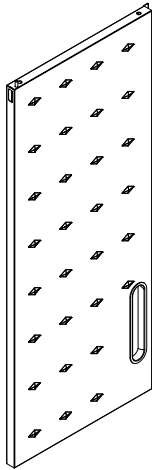
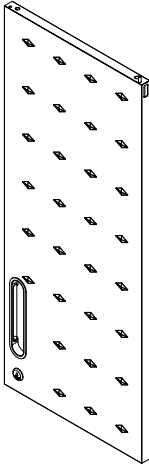
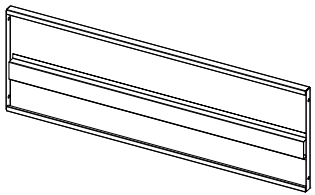

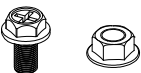
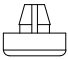


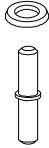
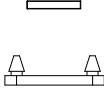

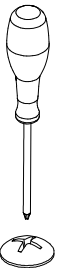

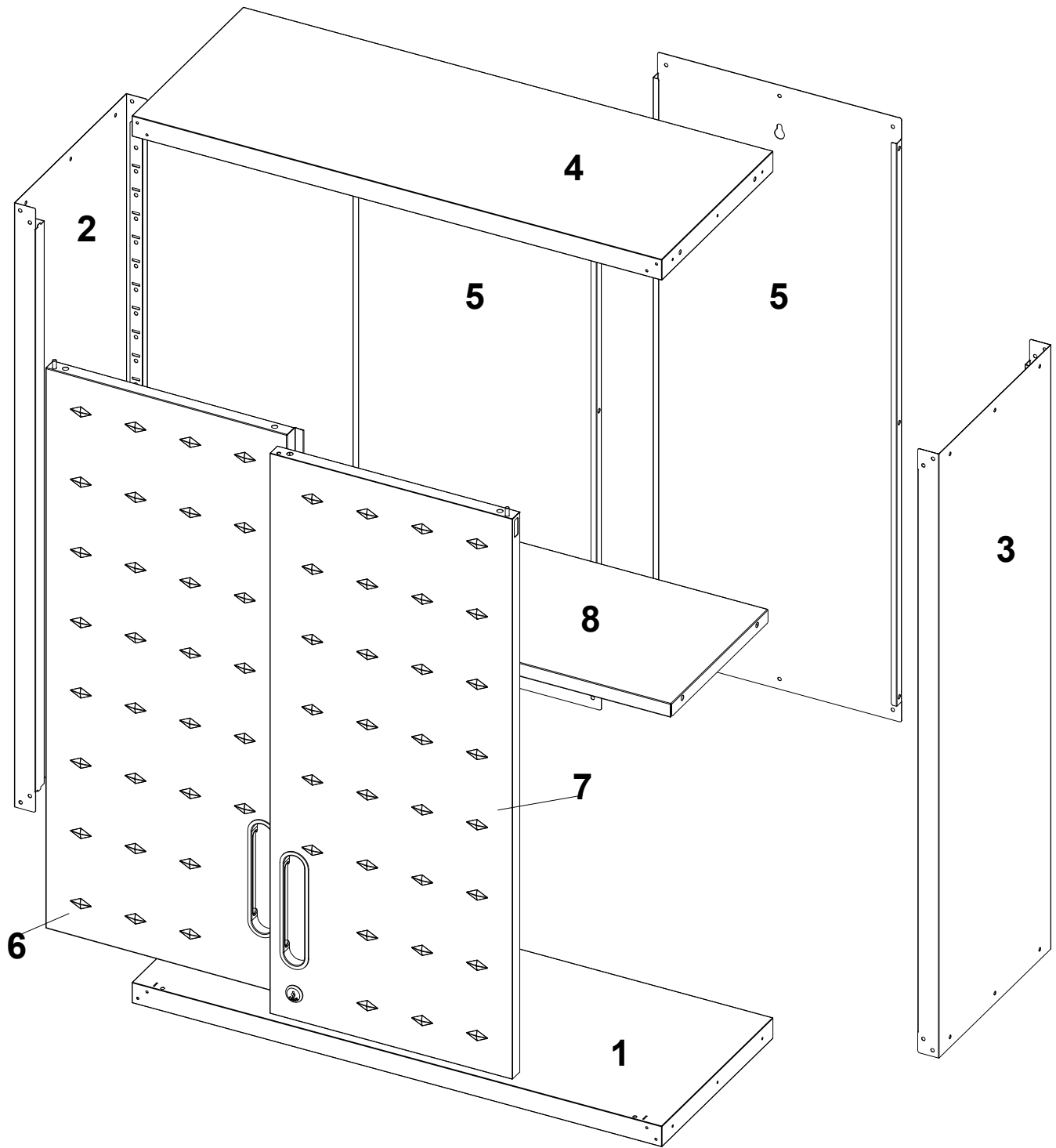


# Installation & Assembly

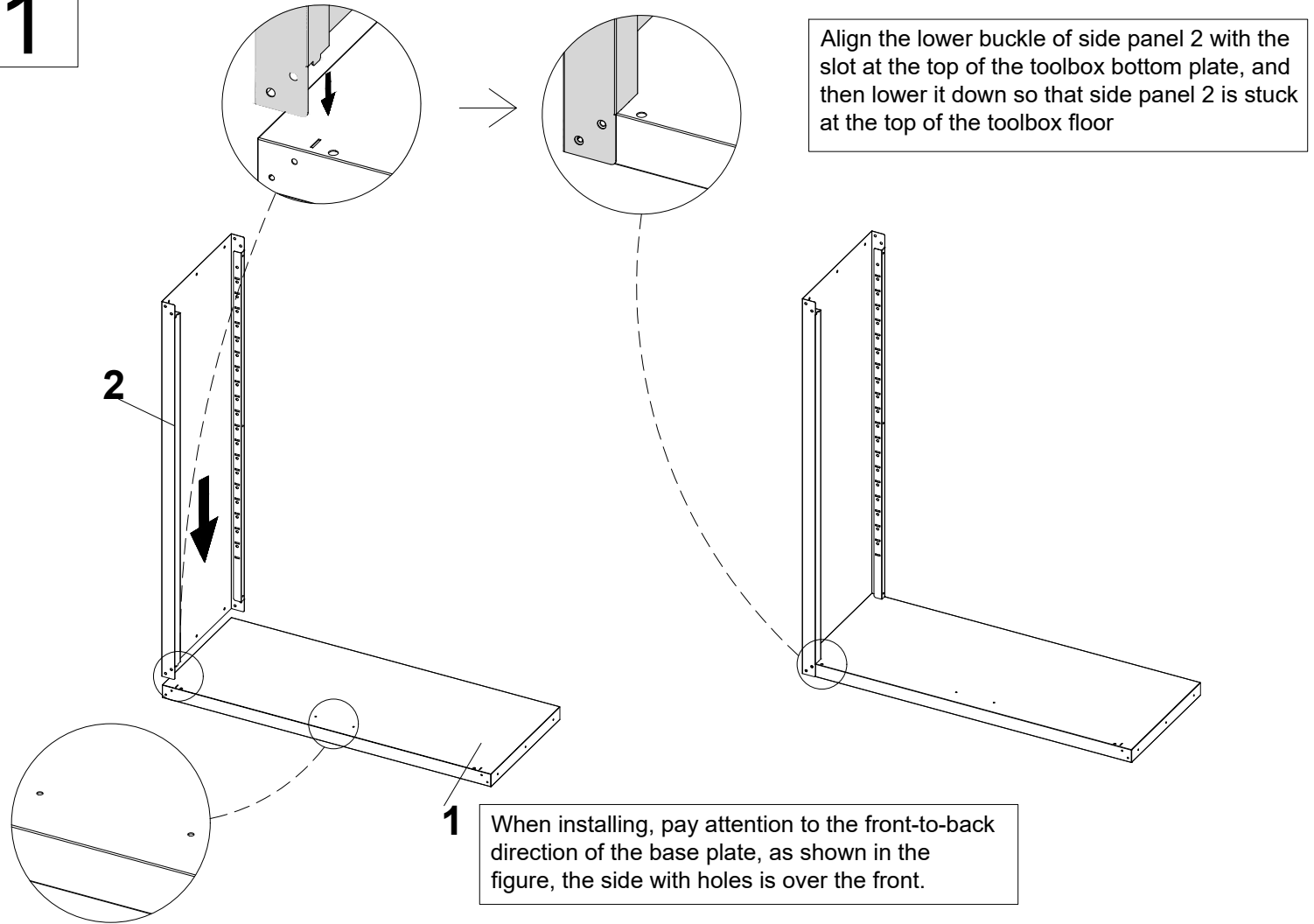




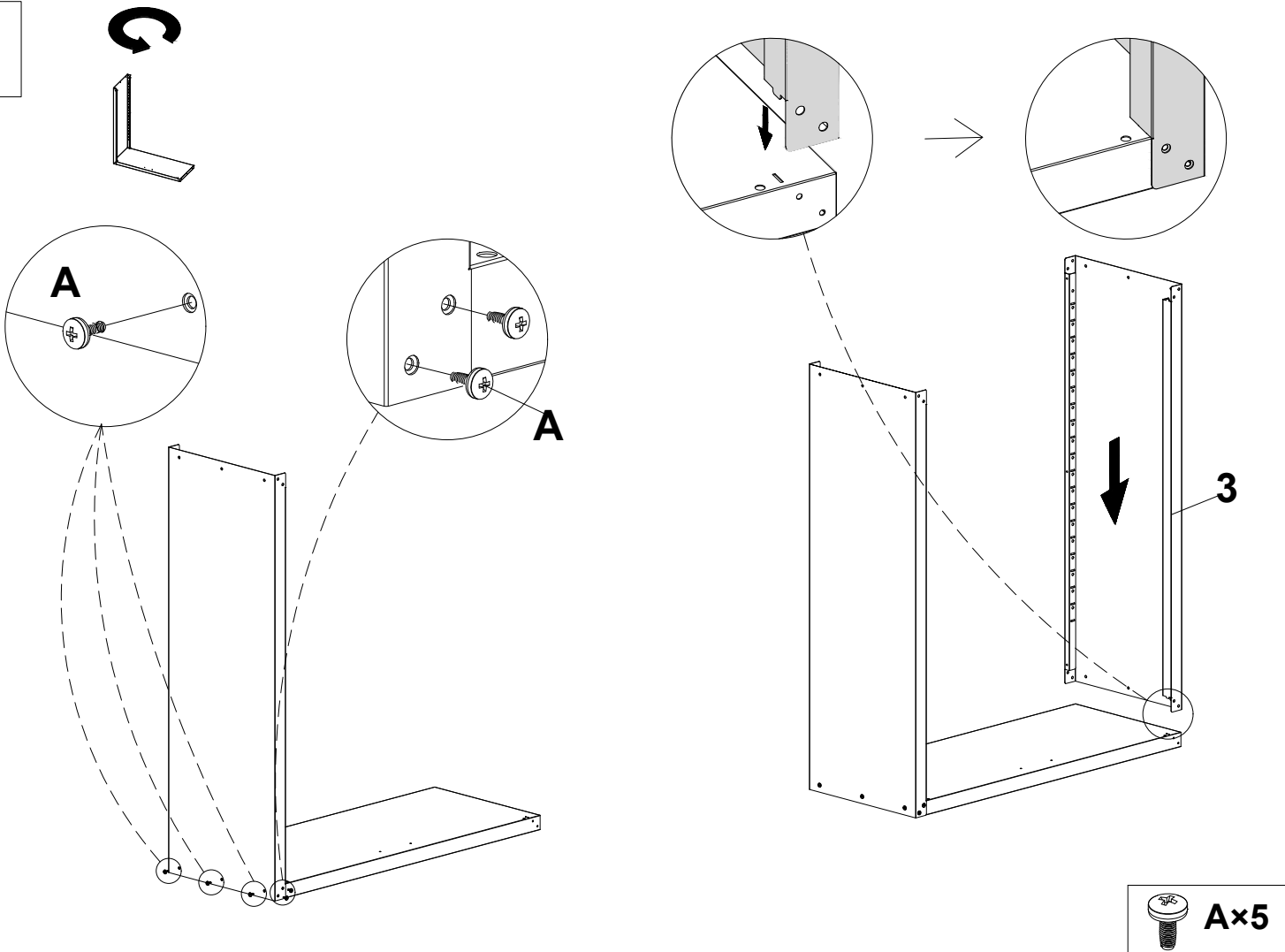
<b>1x1</b>		<b>2x1</b>		<b>3x1</b>		<b>4x1</b>	
							
<b>5x2</b>		<b>6x1</b>		<b>7x1</b>		<b>8x1</b>	
							
<b>Ax48</b>	<b>Cx3</b>	<b>Fx4pcs</b>	<b>Qx4</b>	<b>Sx1</b>	<b>Rx2</b>	<b>Ux4</b>	<b>Vx4</b>
 <b>M4x 8mm</b> <b>0.3inch</b>							 <b>M8</b> <b>M5</b> <b>M5x40 mm</b>
							



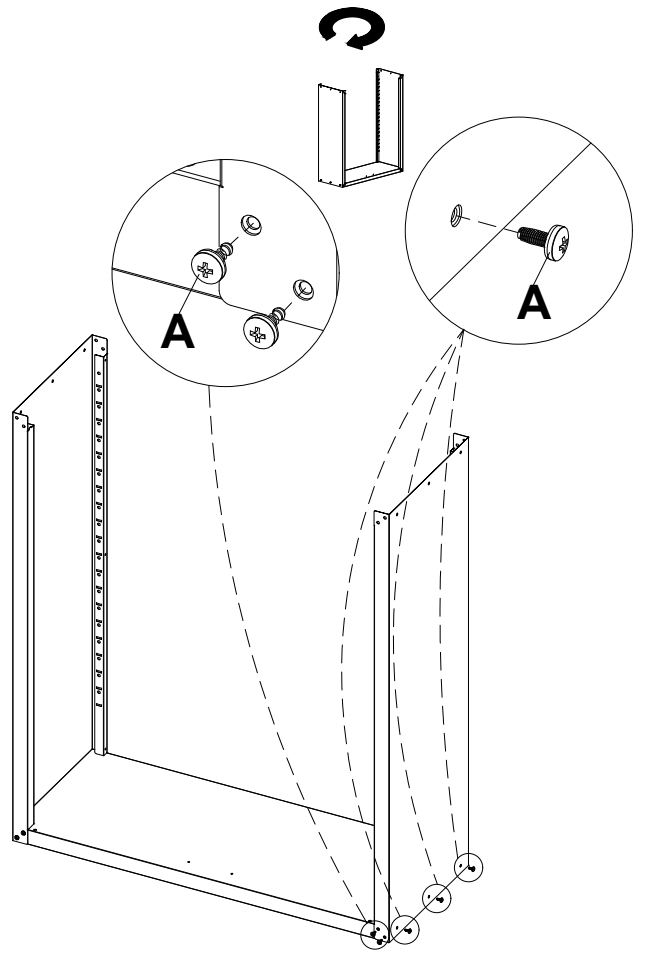
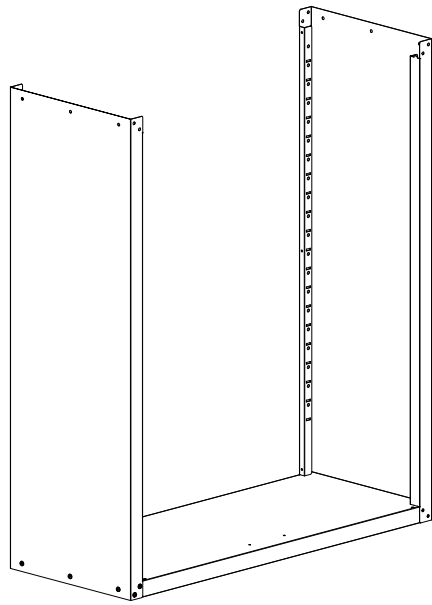
1



2

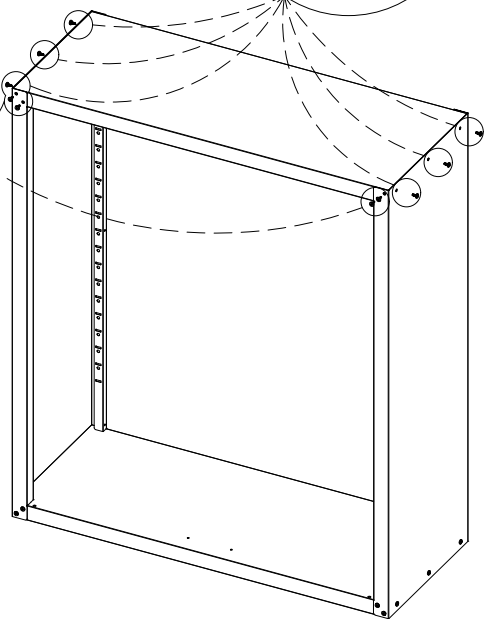
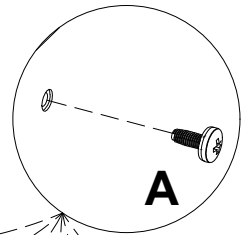
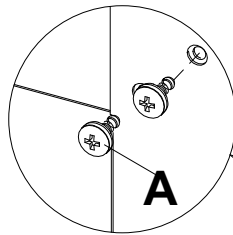
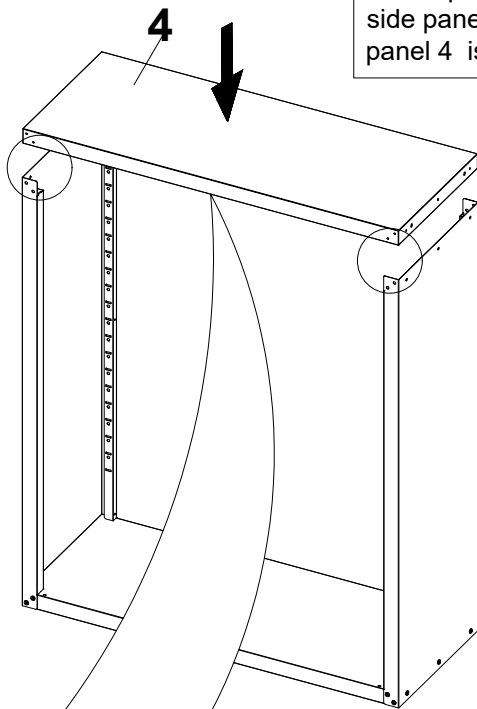


3



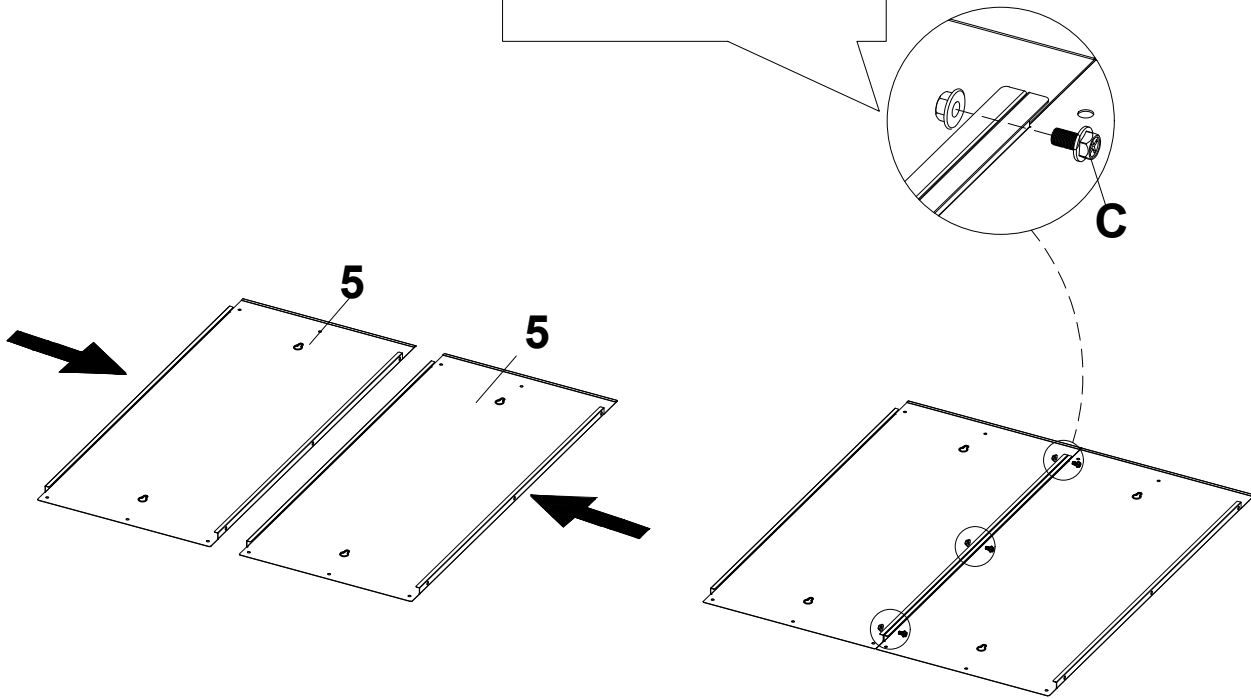
4

Align the card slots on both sides of the lower end of panel 4 with the buckles on the top of side panels 2 and 3, then lower it down so that panel 4 is stuck on the top of the toolbox



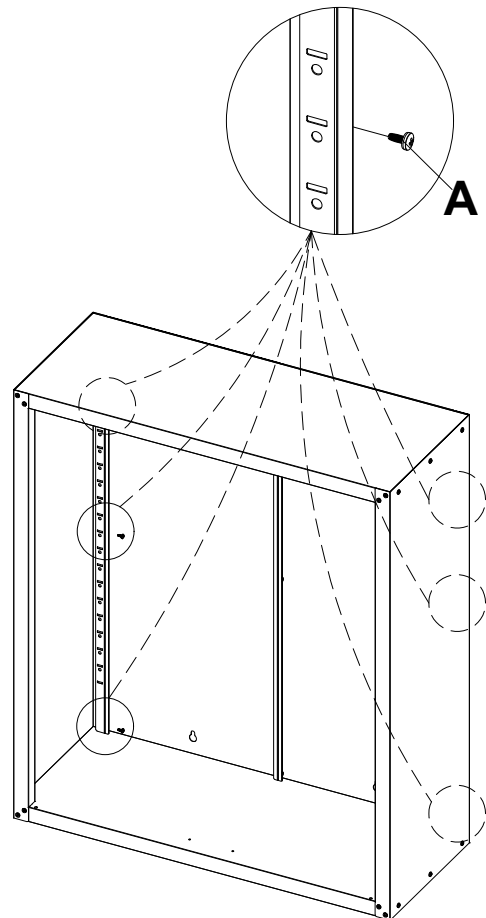
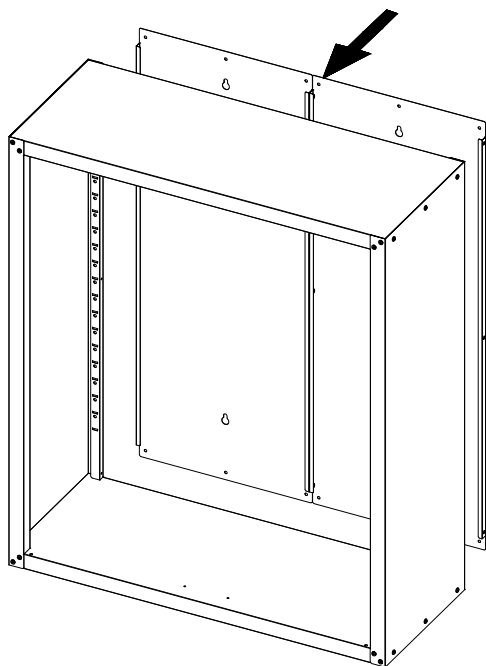
5

put three bolts and nuts to hold them in place



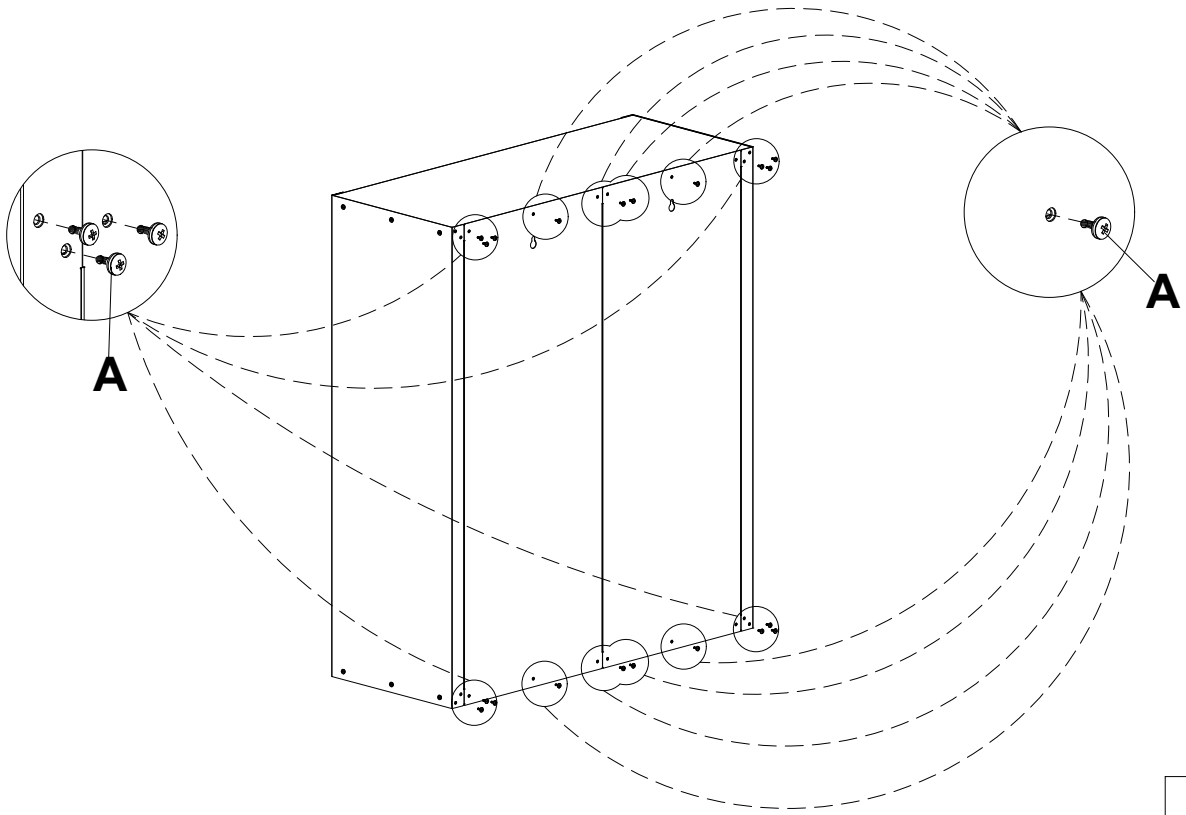
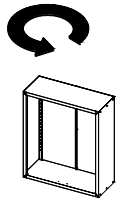
 Cx3

6

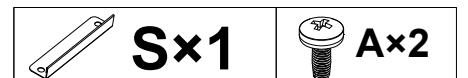
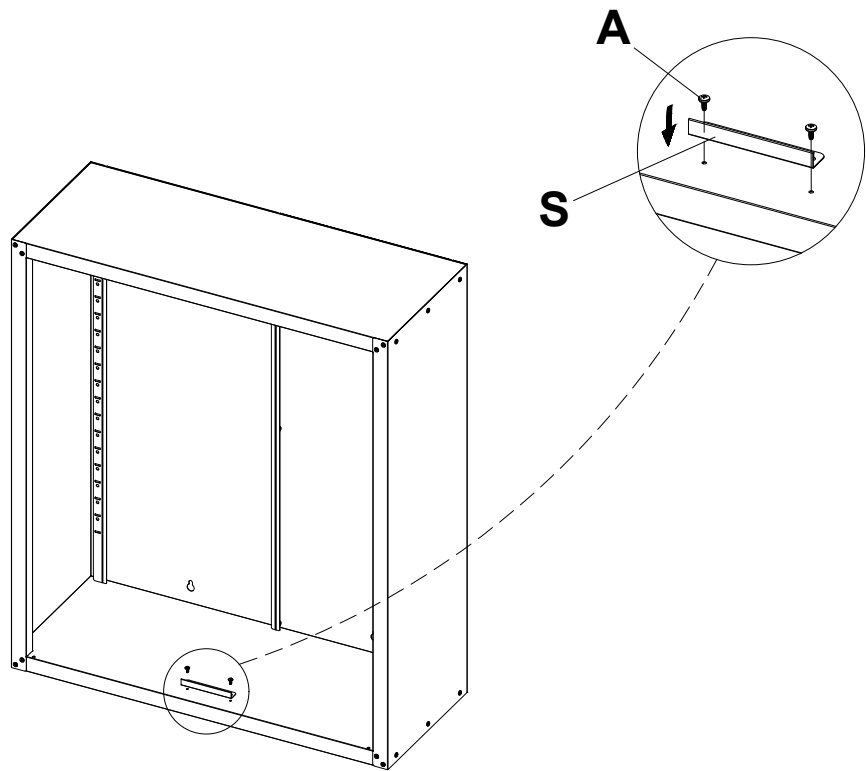


 Ax6

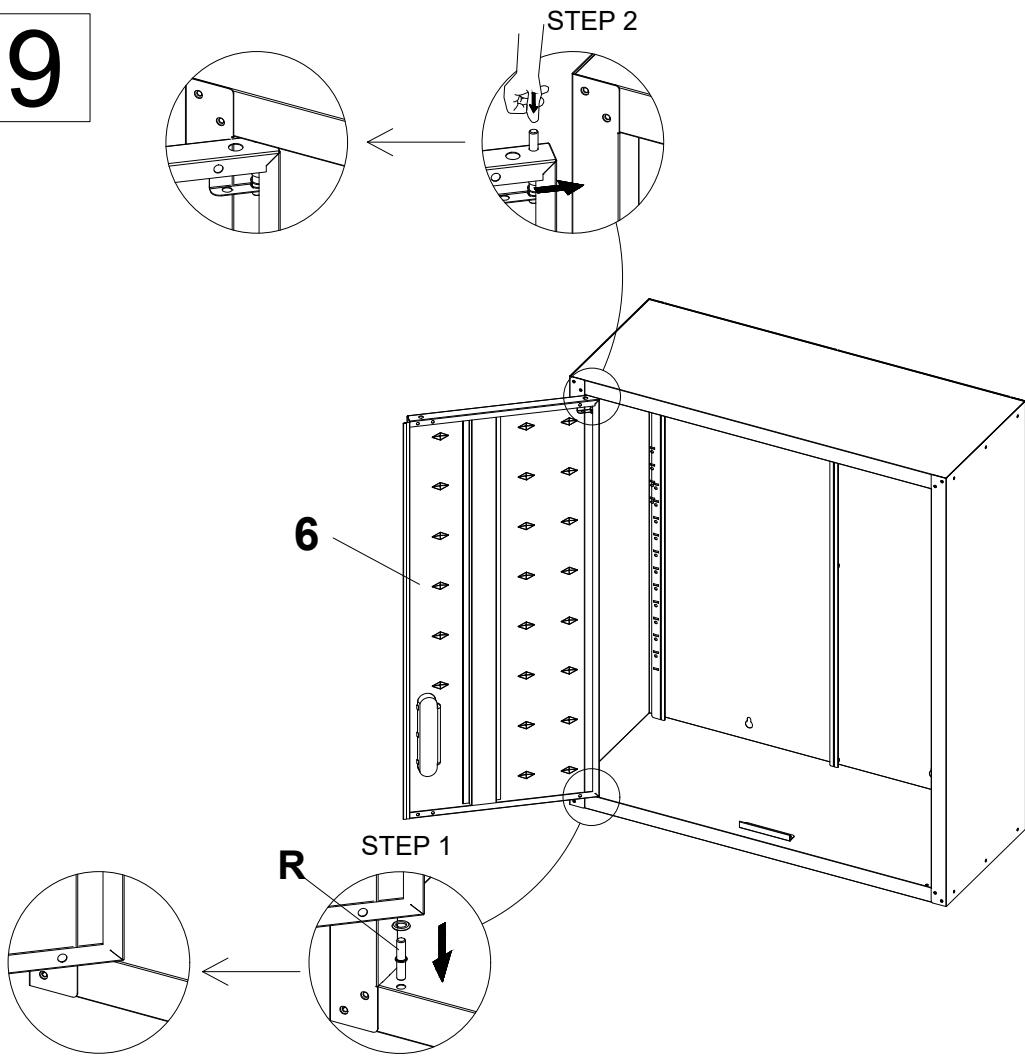
7



8

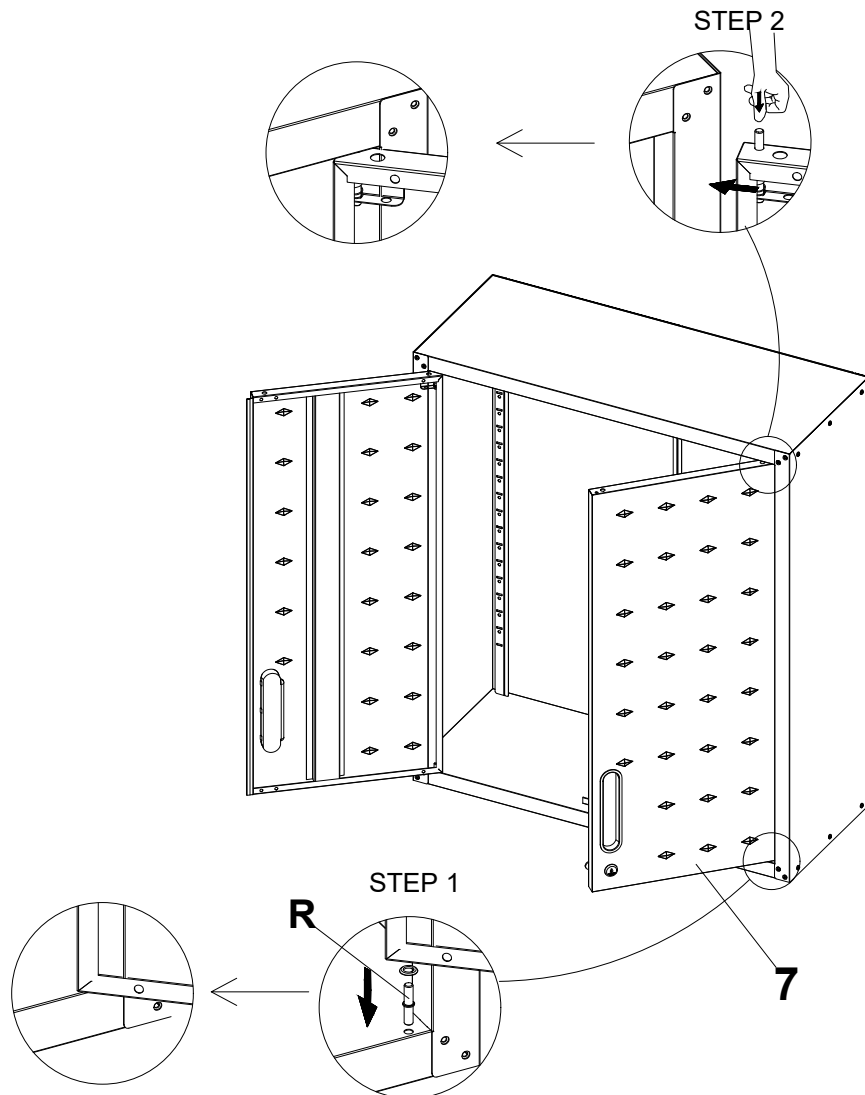


9



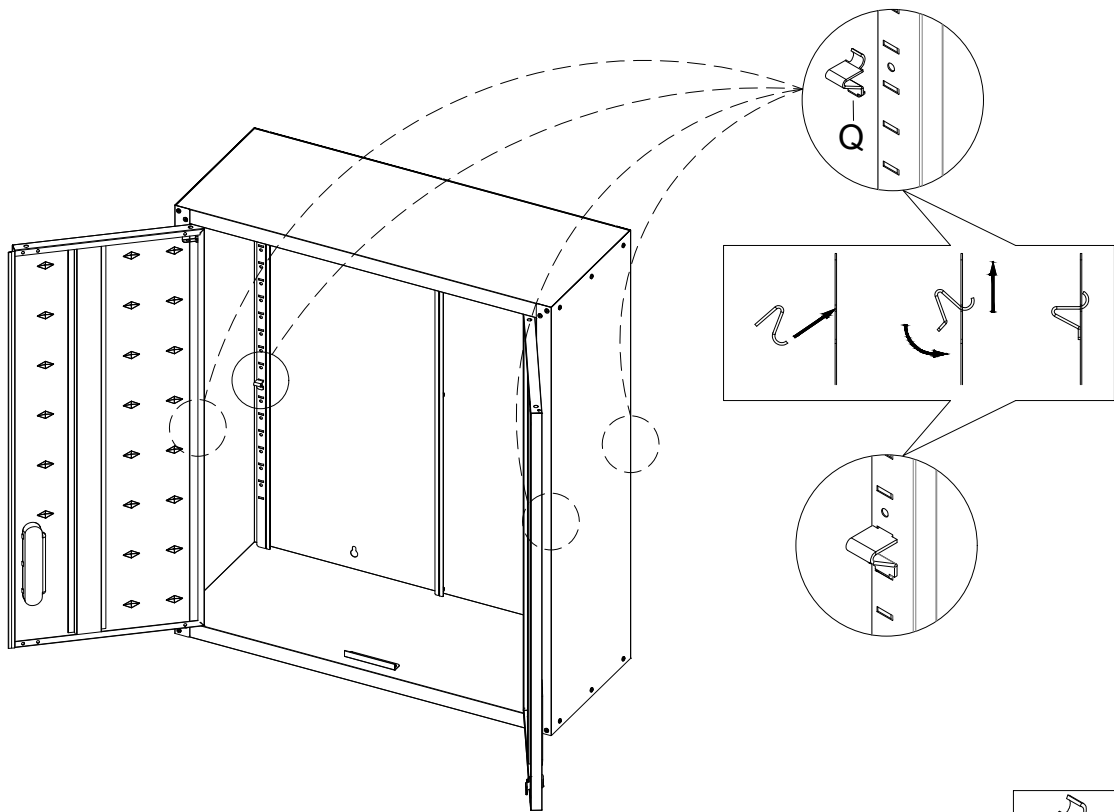
R×1


10



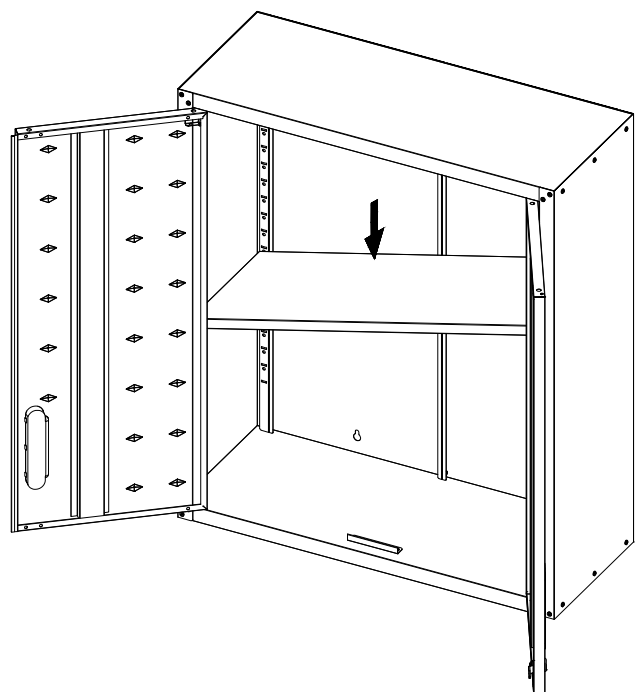
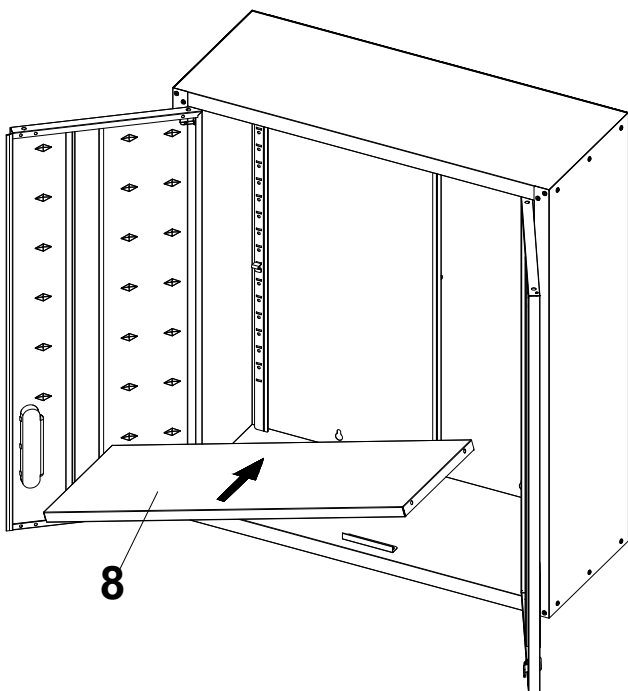
R×1

11

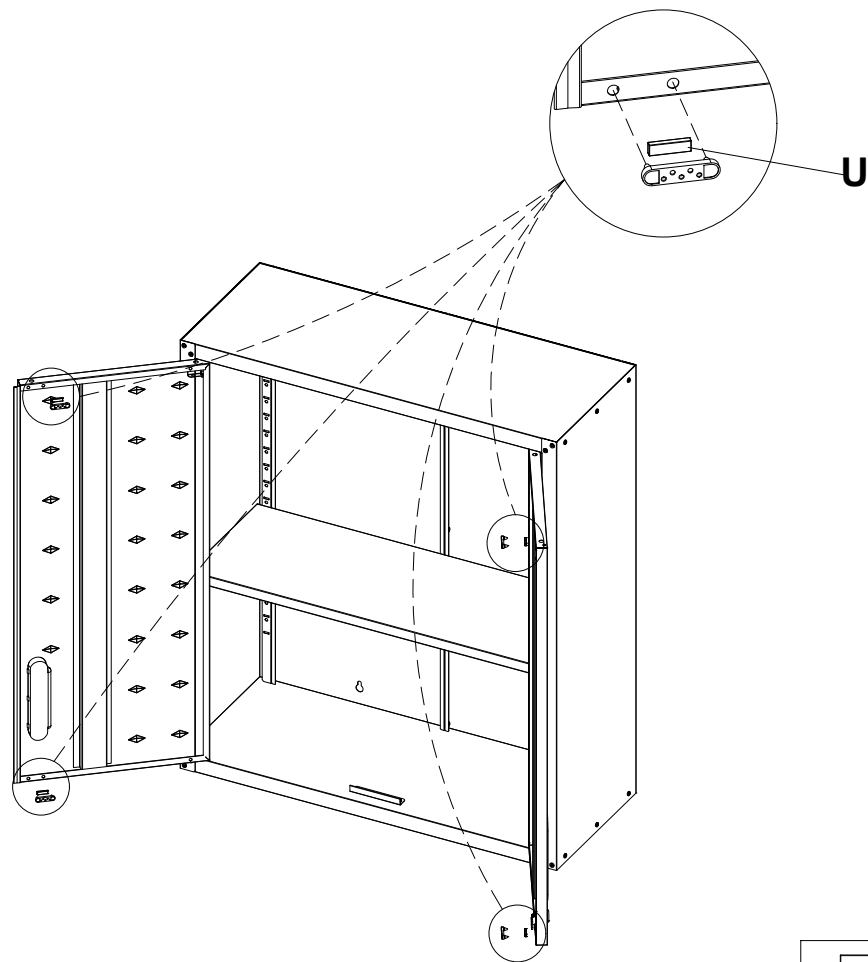


 **Q×4**

12

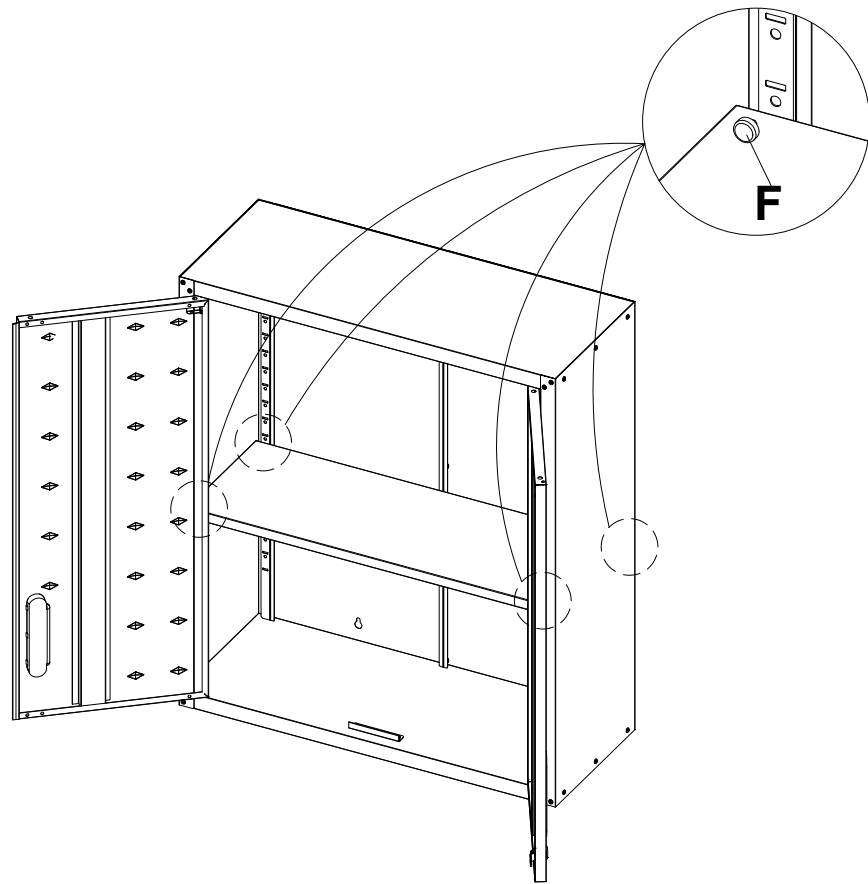


13



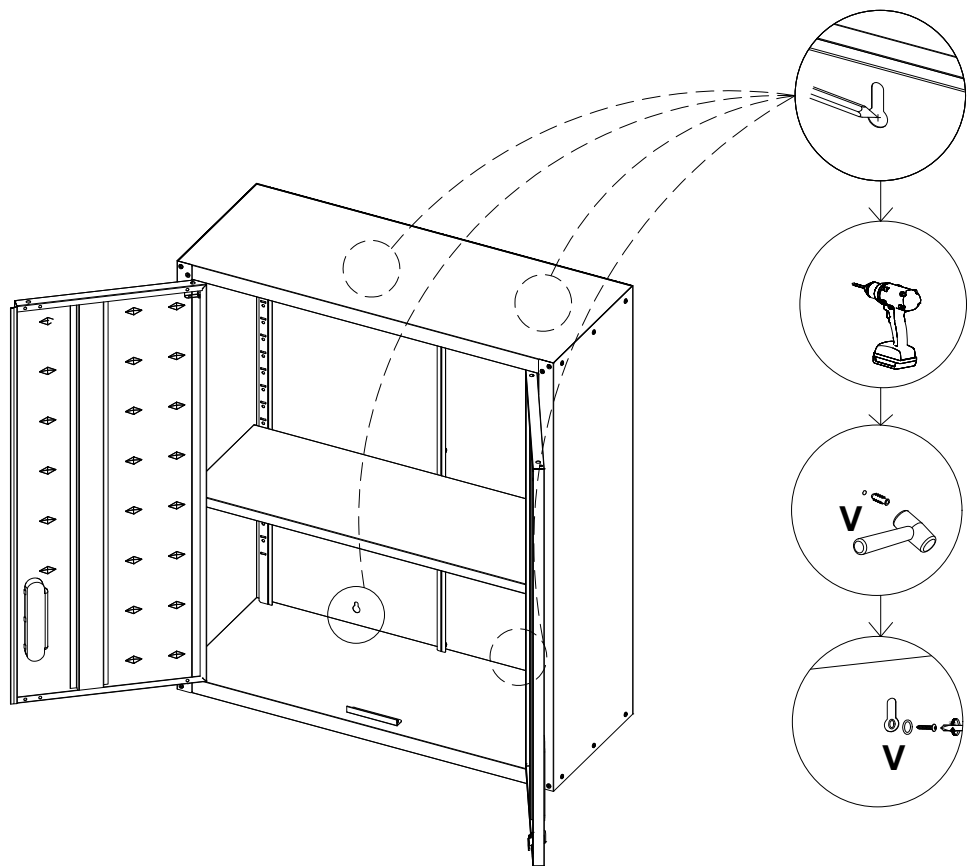
 **U×4**

14



 **F×4**

15



 **Vx4**

