

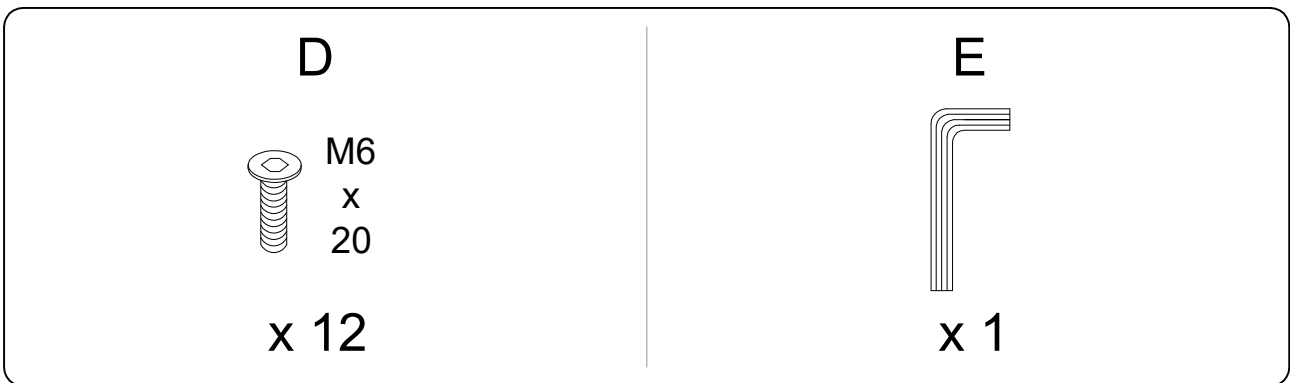
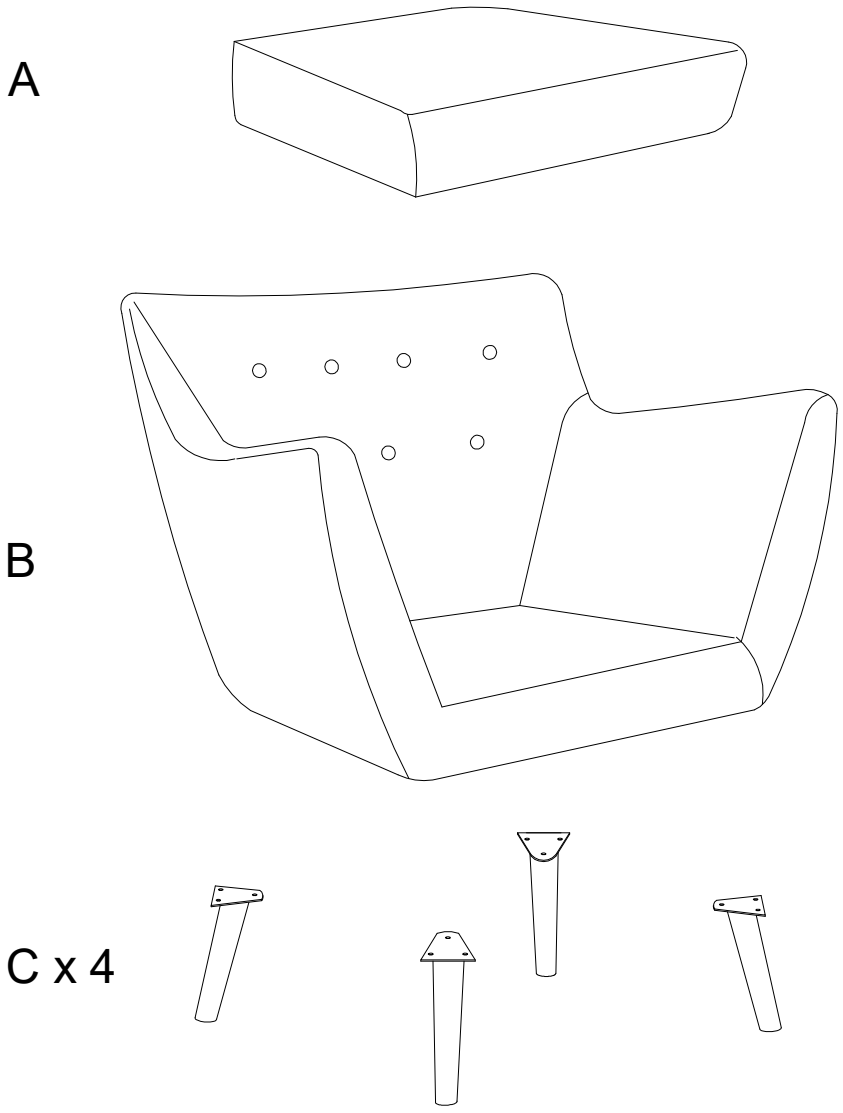
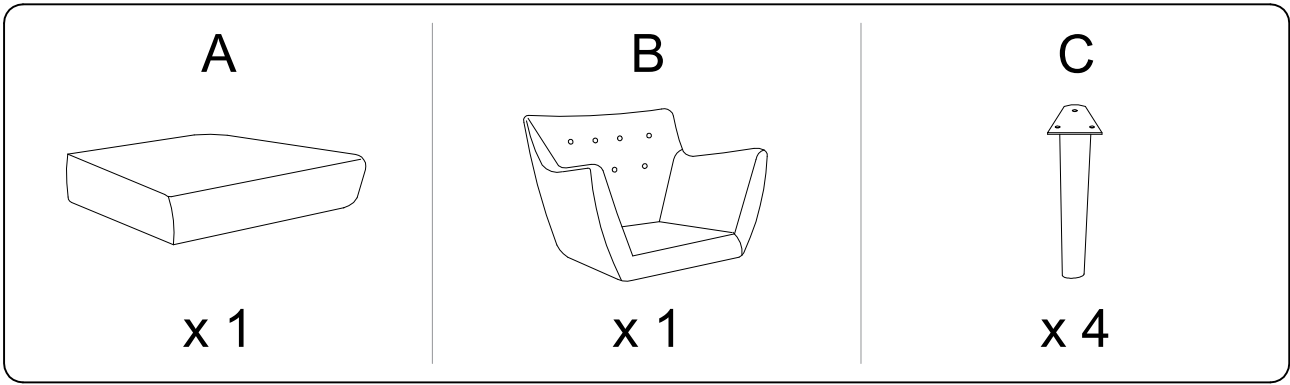
Assembly instructions for the chair, including warnings, time, and person count.

Warning 1: Do not use a power drill. Use an Allen key (shown in a circle) to tighten the backrest.

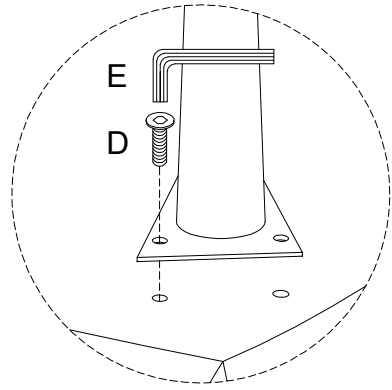
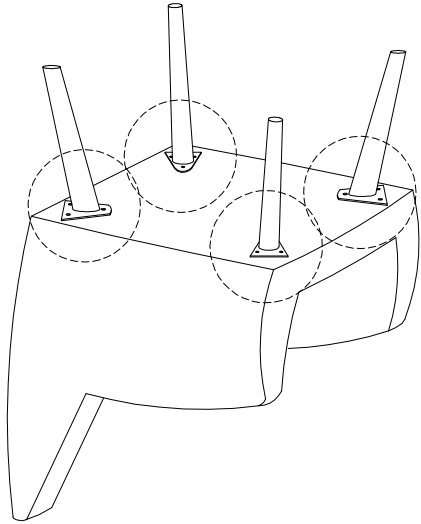
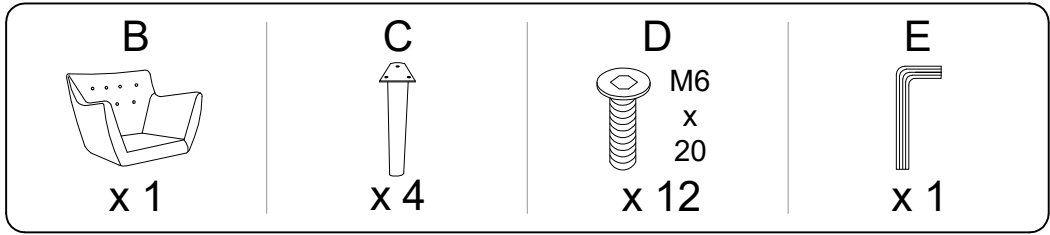
Warning 2: Do not use a power drill to attach the seat. The seat is shown being placed on a mat.

Time: 20'

Person Count: 1



1



2

