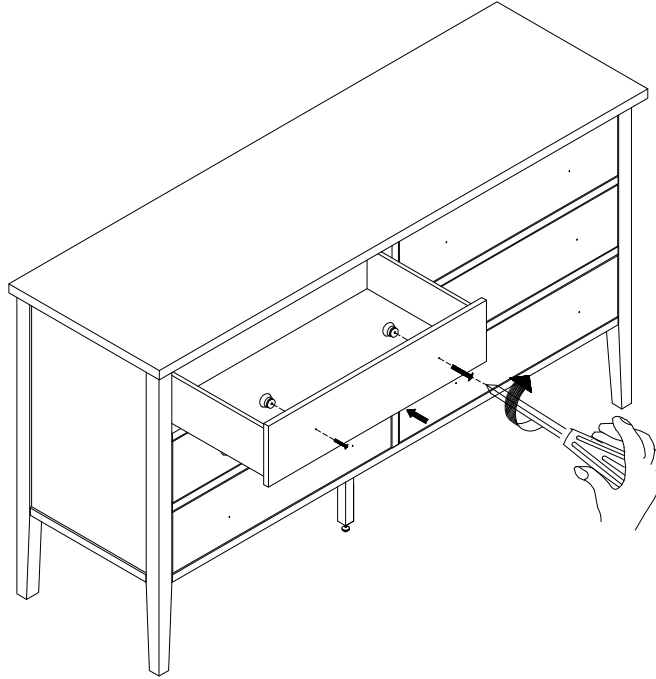


ASSEMBLY INSTRUCTIONS

Step 1

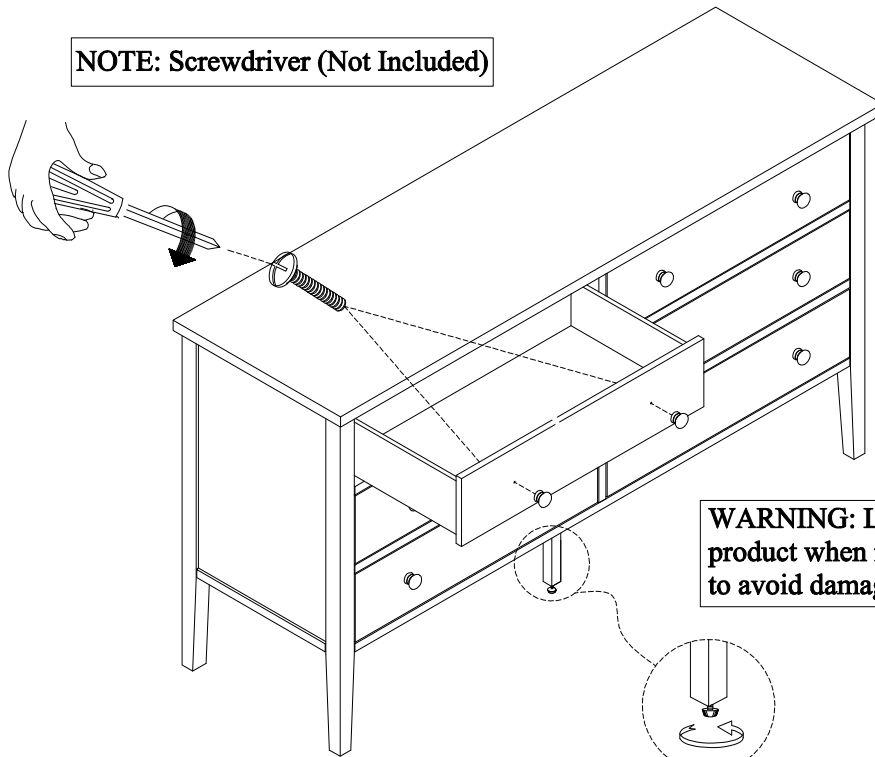
Knobs are attached inside the drawers for safe shipping .Open the drawers and unscrew each knob and turn to face front .



NOTE: Screwdriver (Not Included)

Step 2

Attach knobs to the drawer's front with included pan head screws as shown below. Tighten with a screwdriver (Not Included)



NOTE: Screwdriver (Not Included)

WARNING: Lift, don't drag. Always lift the product when moving or adjusting placement to avoid damage.

Leveler