

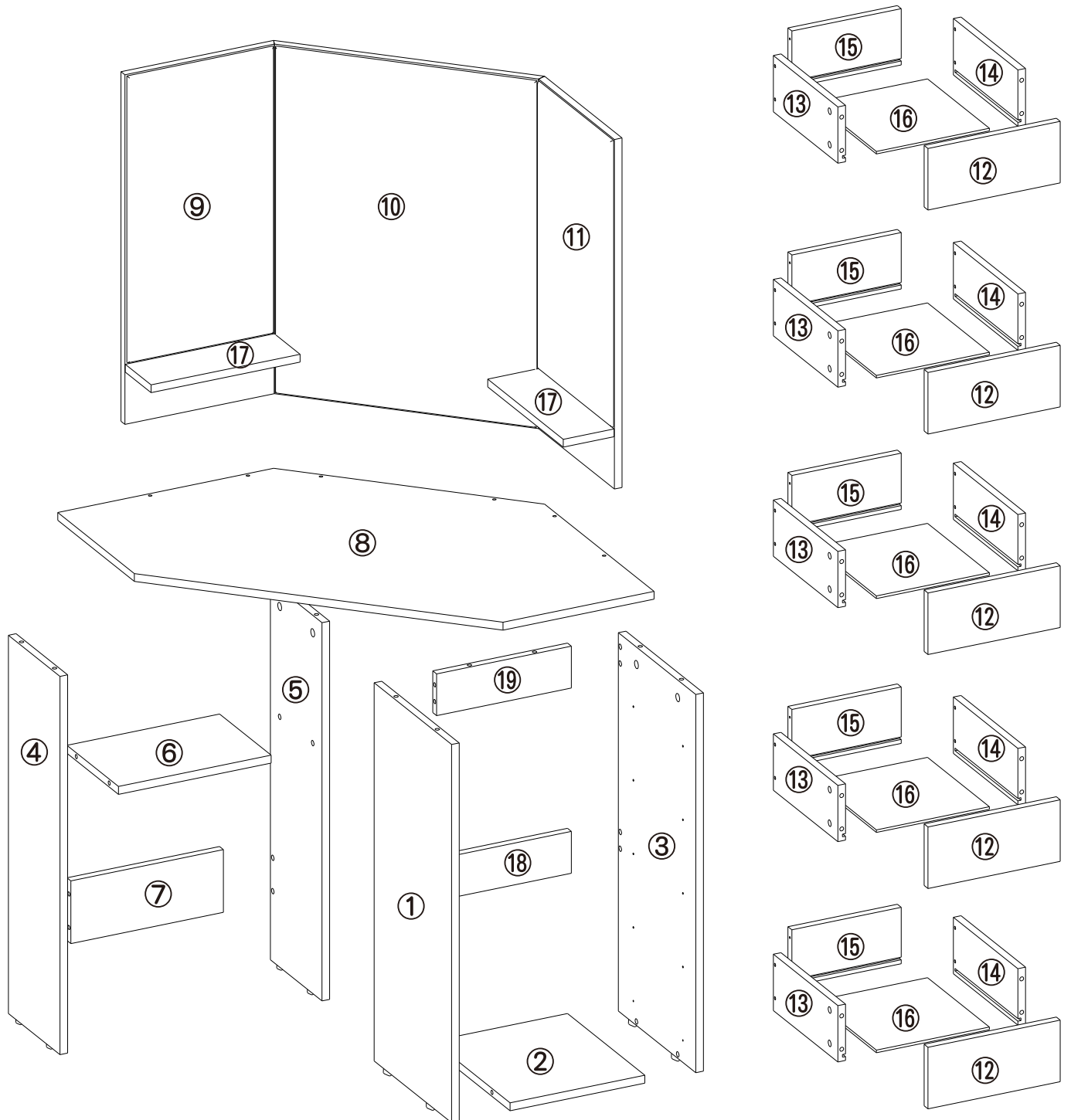
VANITY WITH TRI-MIRROR

User Manual

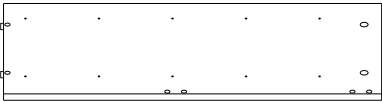
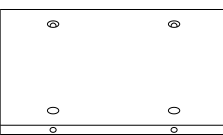
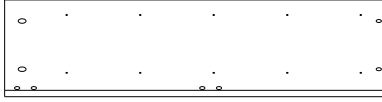
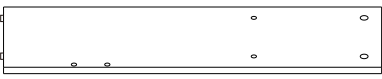
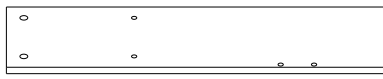

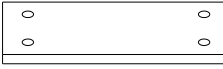


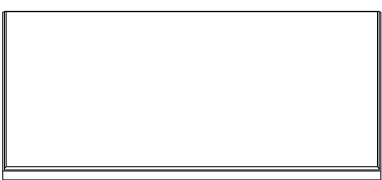
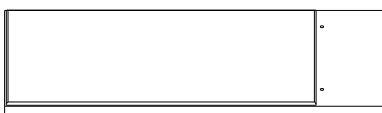
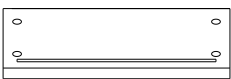

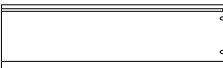
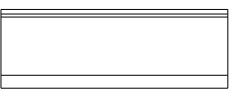



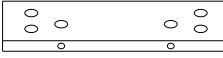
INTRODUCTION

Thank you very much for choosing our Vanity Desk Set. Please read this manual before using the product as it may contains some information you don't know. If you have any questions, please feel free to send us email through amazon.


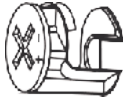
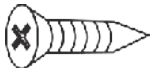


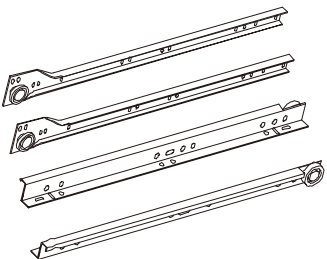
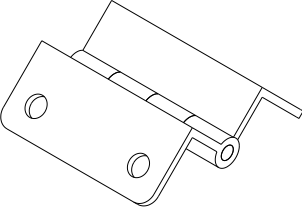
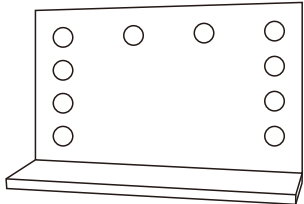

PACKAGE CONTAINS

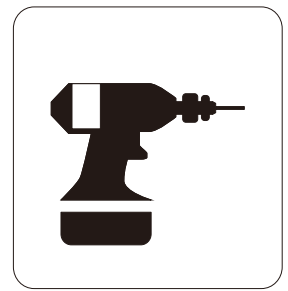
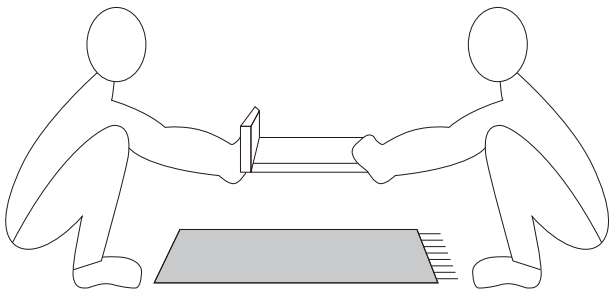


PARTS LIST (Unit: mm)

<p>1</p>  <p>725×300 ×1PC</p>	<p>2</p>  <p>300×265 ×1PC</p>	<p>3</p>  <p>725×300 ×1PC</p>
<p>4</p>  <p>725×200 ×1PC</p>	<p>5</p>  <p>725×200 ×1PC</p>	<p>6</p>  <p>300×200 ×1PC</p>
<p>7</p>  <p>300×120 ×1PC</p>	<p>8</p>  <p>1121×525 ×1PC</p>	<p>9</p>  <p>670×292 ×1PC</p>
<p>10</p>  <p>670×486 ×1PC</p>	<p>11</p>  <p>670×292 ×1PC</p>	<p>12</p>  <p>260×115 ×5PCS</p>
<p>13</p>  <p>250×105 ×5PCS</p>	<p>14</p>  <p>250×105 ×5PCS</p>	<p>15</p>  <p>216×105 ×5PCS</p>
<p>16</p>  <p>248×226 ×5PCS</p>	<p>17</p>  <p>292×100 ×2PCS</p>	<p>18</p>  <p>265×80 ×1PC</p>
<p>19</p>  <p>265×80 ×1PC</p>		

ACCESSORIES LIST (Unit: mm)

<p>(A) 6x40</p>  <p>x 50 pcs</p>	<p>(B) 15x11.5</p>  <p>x 30 pcs</p>	<p>(C) M4x12</p>  <p>x 56 pcs</p>
<p>(D) M5x40</p>  <p>x30 pcs</p>	<p>(E) 12x10</p>  <p>x20 pcs</p>	<p>(F) Slide Rail</p>  <p>x5 set</p>
<p>(G) 25x32</p>  <p>x4 pcs</p>	<p>(H) Vanity Mirror Lights</p>  <p>x1 set</p>	<p>(I)</p>  <p>x1 pcs</p>

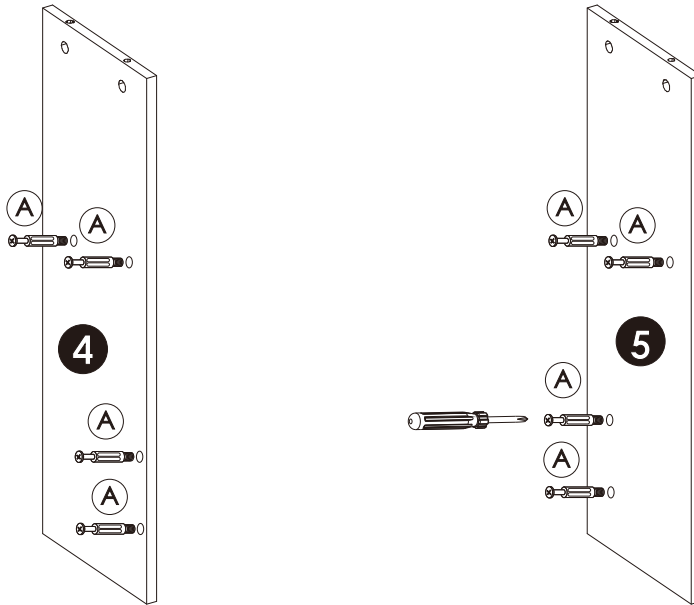


TIPS

1. When installing the product, use a soft surface (such as carpet or cardboard) to avoid scratching or damaging the surface of the product.
2. Please try to use a manual screwdriver instead of electric screw driver. A manual screwdriver can be used to better control the tightness of the screws.
3. Do not use any glue.
4. The product is unstable before it is assembled. Please pay attention to the product installation sequence, and align all screws and screw holes before tightening.
5. The structure of this product can not meet the requirements of children climbing.

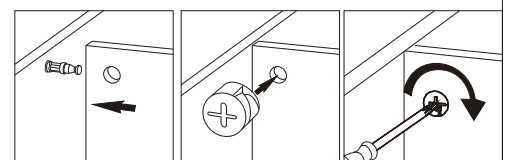
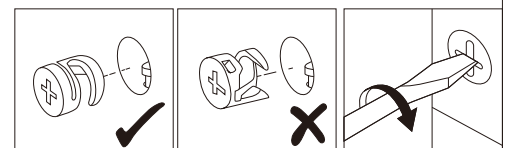
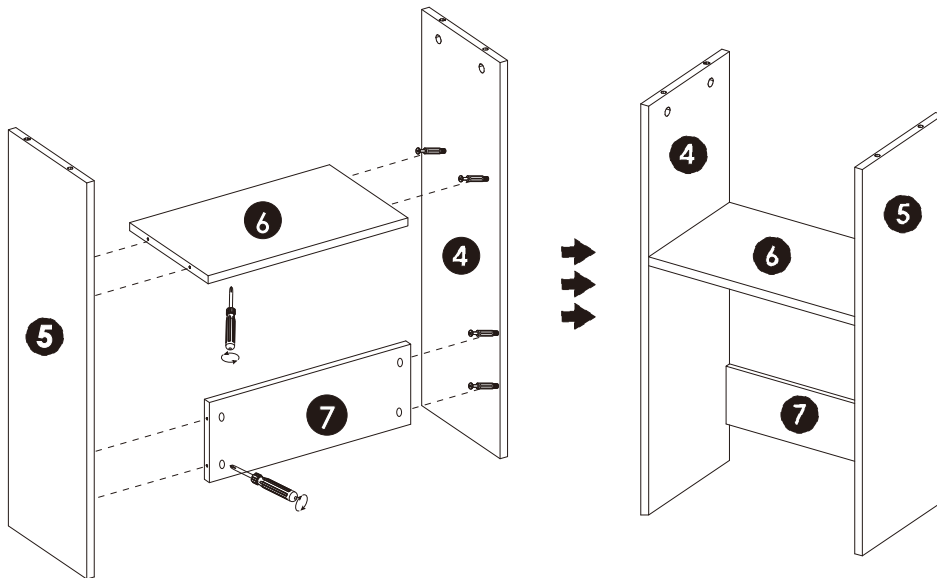
INSTALLATION INSTRUCTION

STEP 1 Install the panel(④, ⑤) by using screws ①.



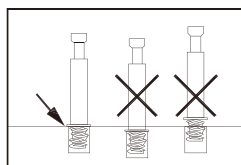
① x 8

STEP 2 Assemble the(④), (⑤), ⑥, and (⑦) boards as shown in the figure below, then secure with ②.

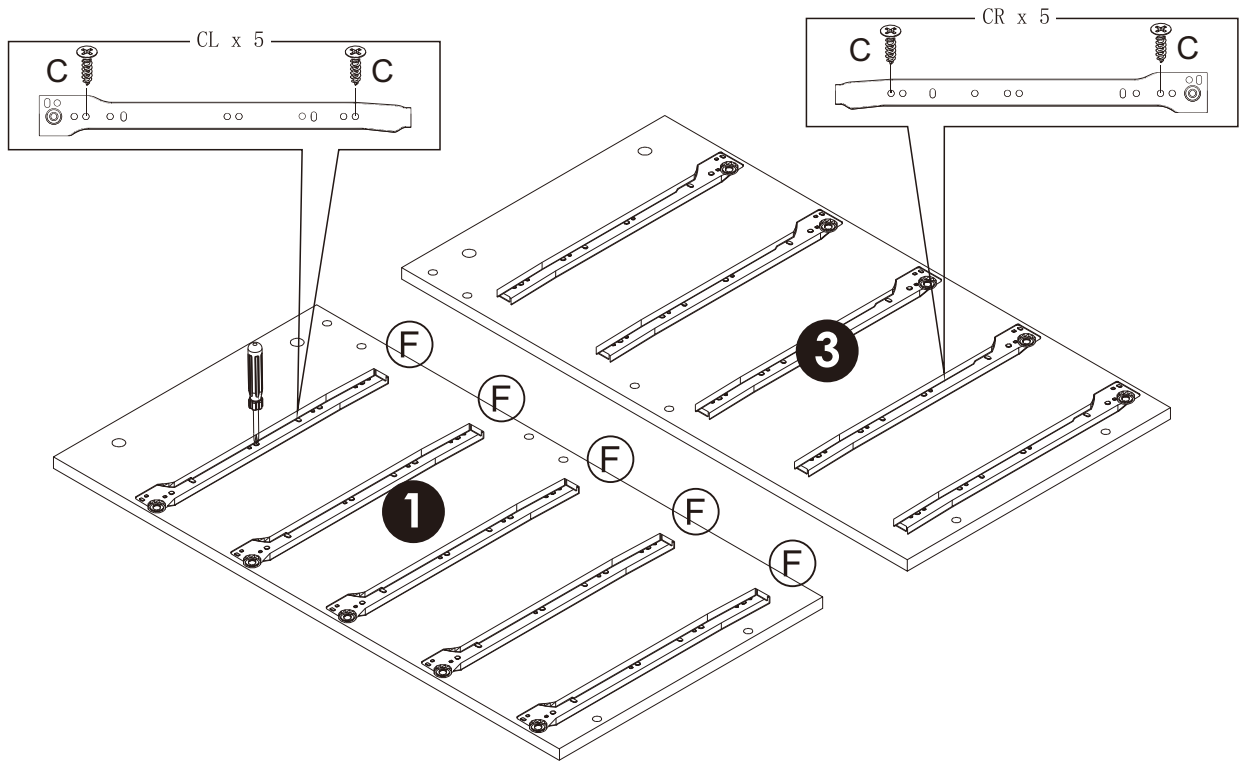


② x 8

Installation method of three in one rod and buckle



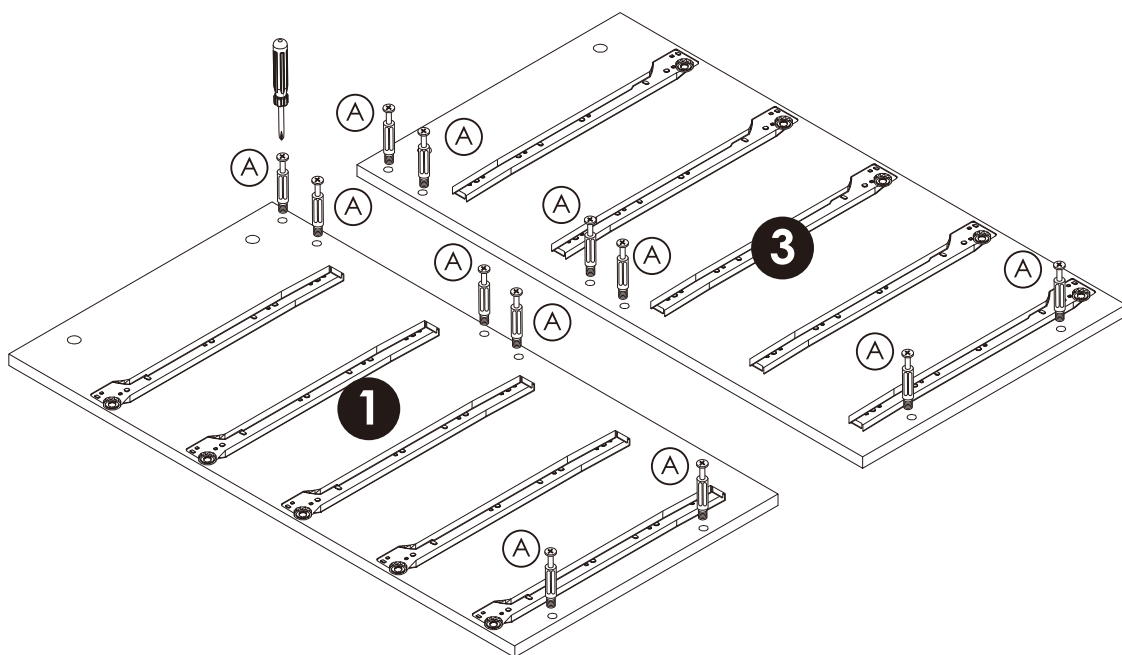
STEP 3 As shown in the figure, Fix (F) to (1),(3) with (C) .



(C) x 20

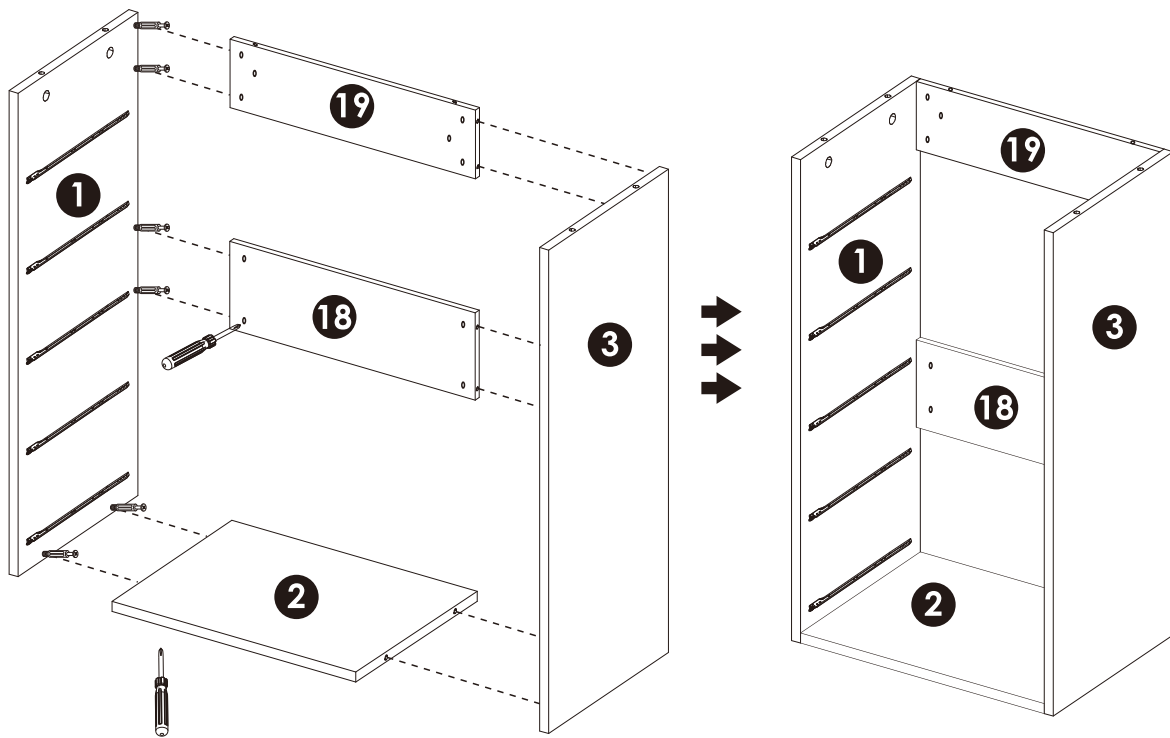
(F) x 5

STEP 4 Install the panel(1) and(3)by using screws (A) .



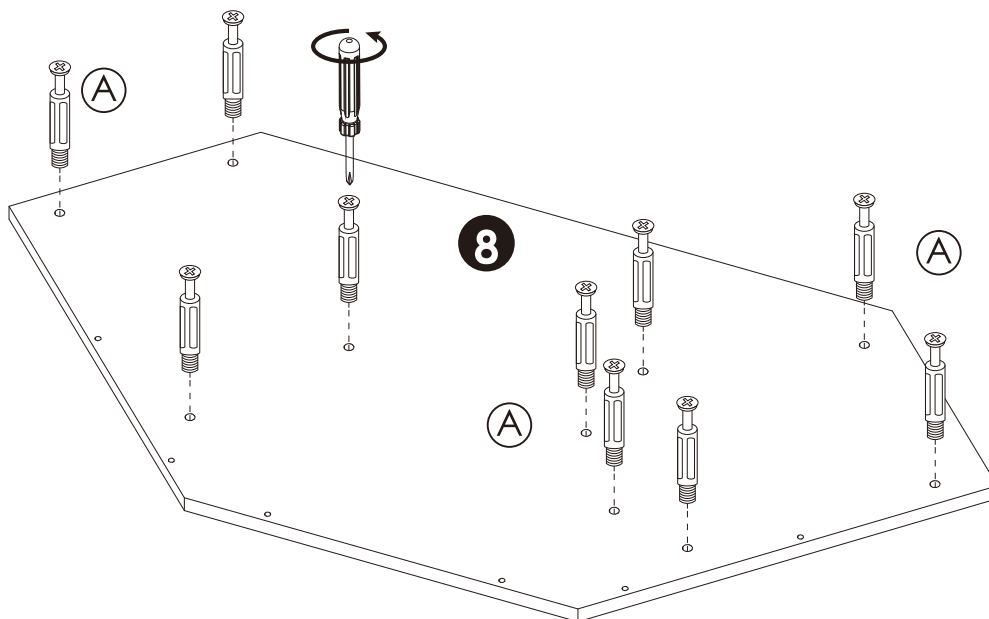
(A) x 12

STEP 5 Assemble the (1), (2), (3), (18) and (19) boards as shown in the figure below, then secure with (B).



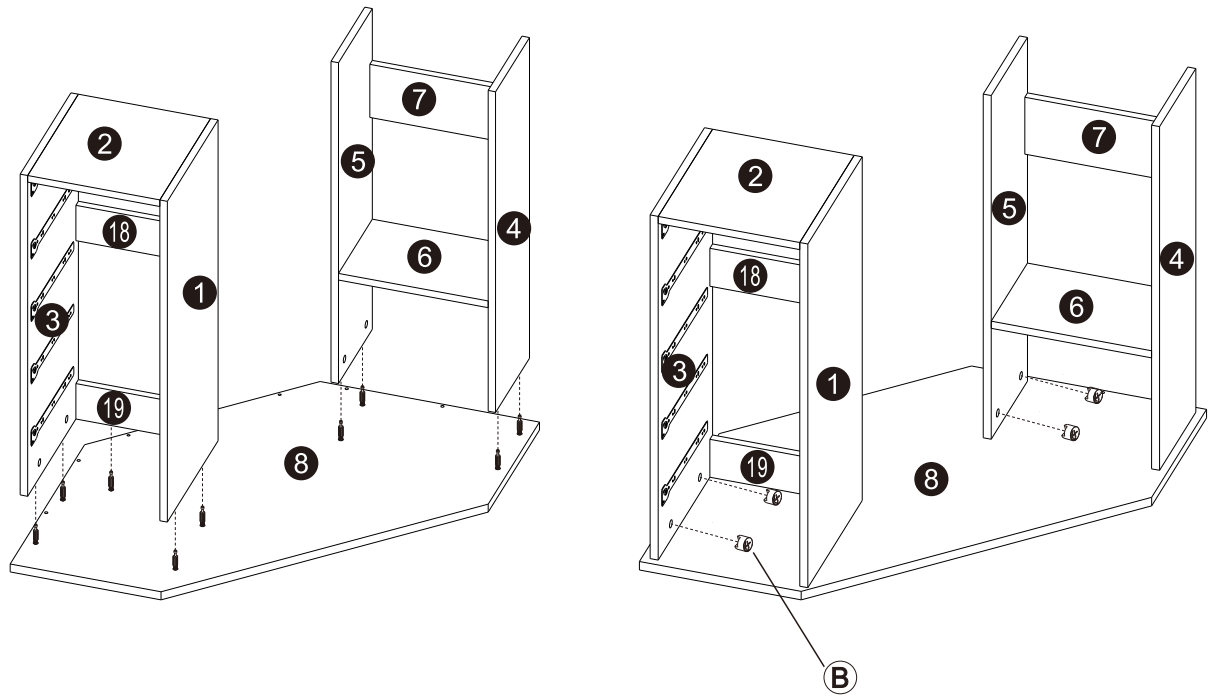
(B) x 12

STEP 6 Insert 10 pcs Dowels (A) into the pre-punched holes on panel (8). Please pay attention to the correct way to install this accessory as shown in the picture.



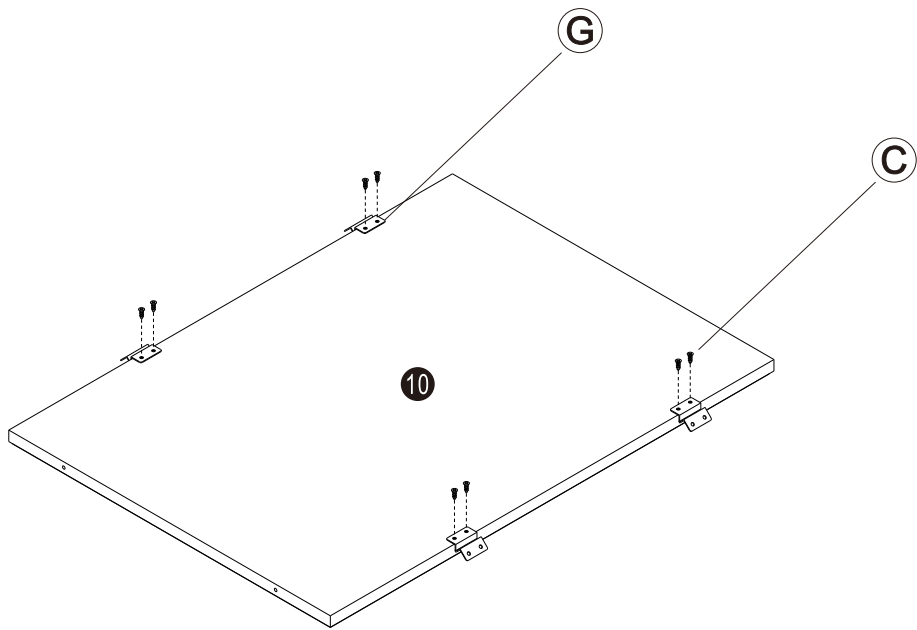
(A) x 10

STEP 7 As shown in the figure, install ⑧ onto the cabinet and fasten ② tight.



② x 10

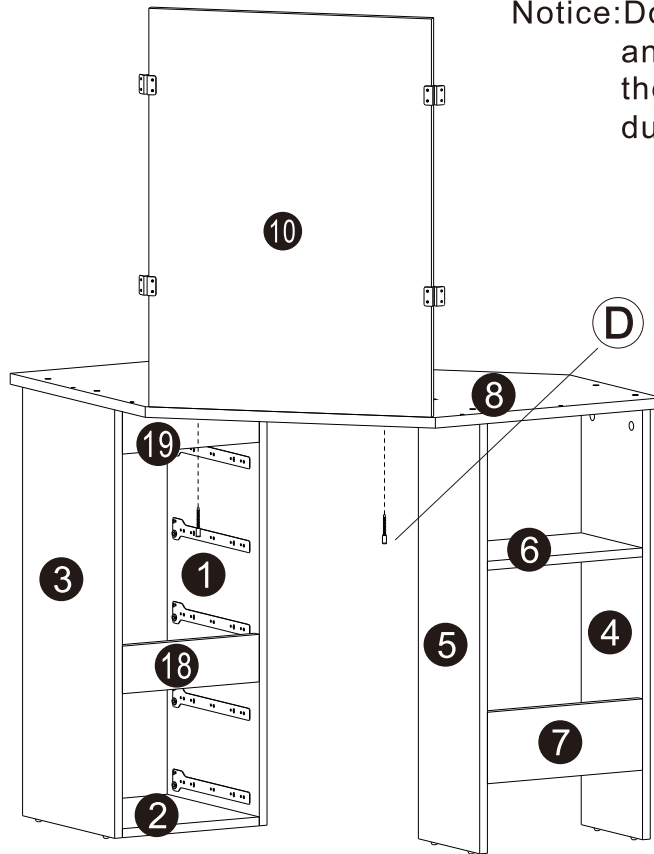
STEP 8 Fix ③ to ⑩ with ④.



④ x 8
③ x 4

STEP 9

As shown in the figure, Fix (10) to the cabinet with (D) .

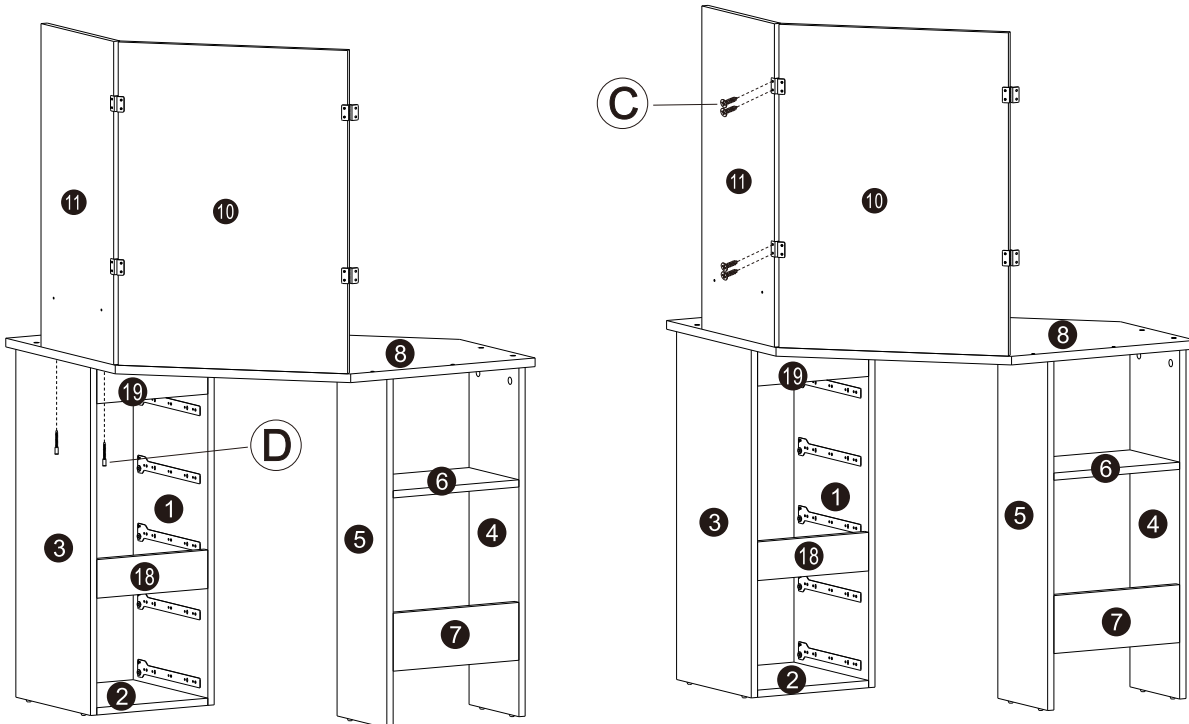


Notice: Do not fix the cabinet body and (10) too tightly, so that they can be adjusted slightly during later installation.

(D) x 2

STEP 10

10.1 Fix (11) to the cabinet with (D), but do not fix it too tightly.
10.2 Connect (10) and (11) with (C) .

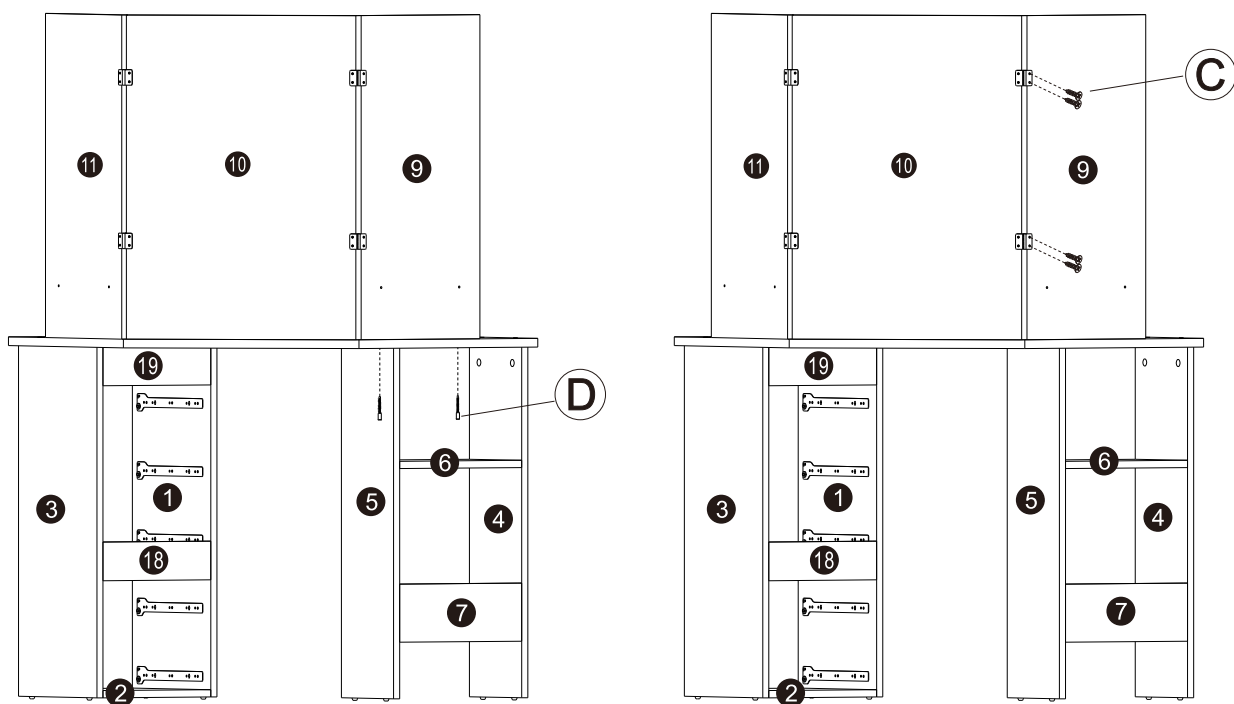


(C) x 4

(D) x 2

STEP 11

11.1 As shown in the figure, Fix (9) to the cabinet with (D) .
11.2 Connect (10) and (9) with (C) ,then tighten all (D) .

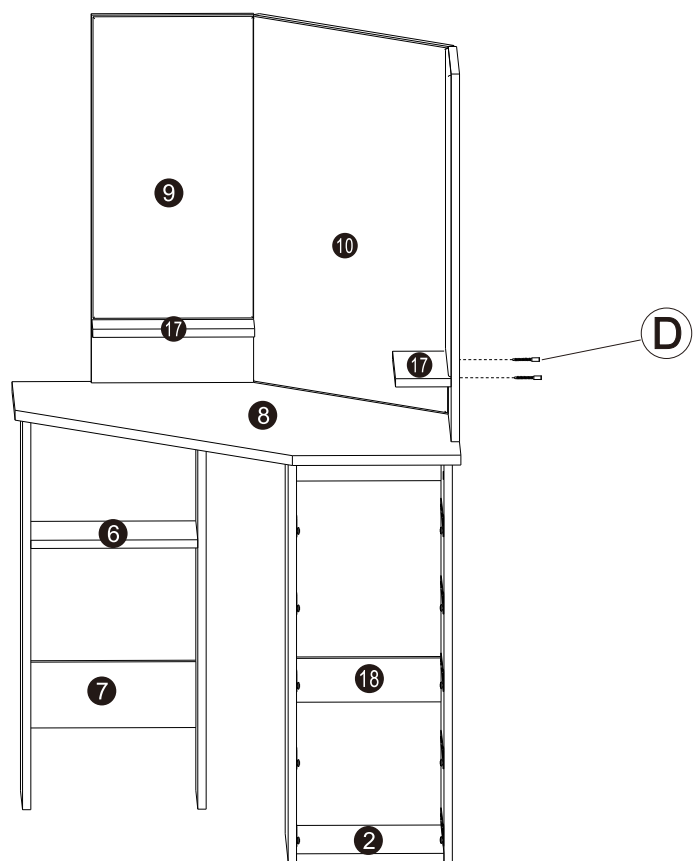


(C) x 4

(D) x 2

STEP 12

Assemble 2 pieces (17) onto the cabinet with (D) .

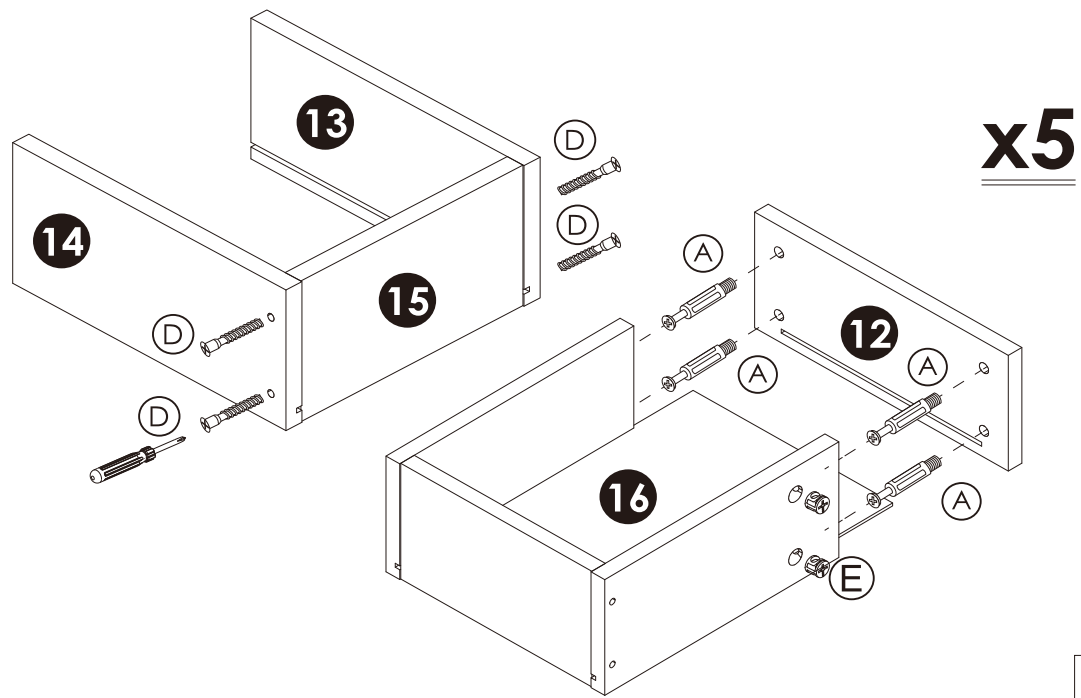


(D) x 4

STEP 13

13.1 Assemble (13), (14), (15) with (D).

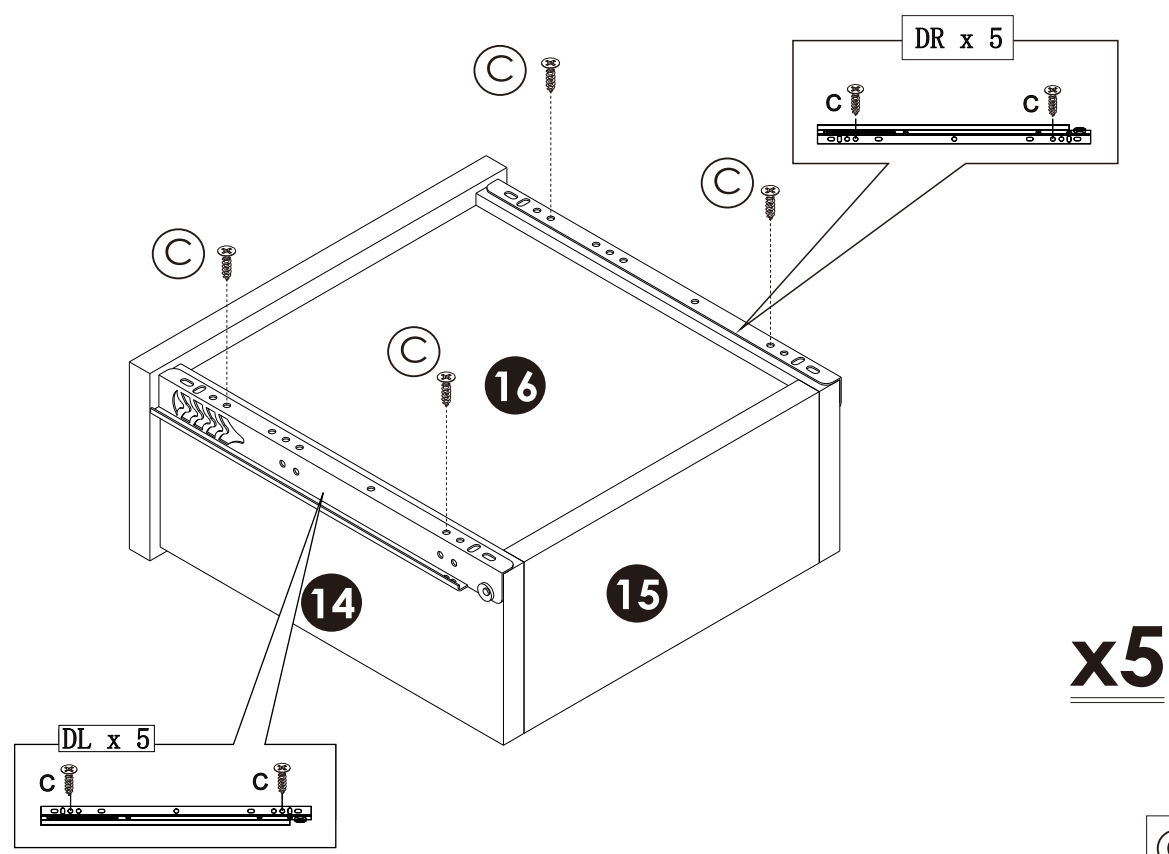
13.2 Install (A) on (12), Then assemble it according to the drawing and fix it with (E)



- (A) x 20
- (D) x 20
- (E) x 20

STEP 14

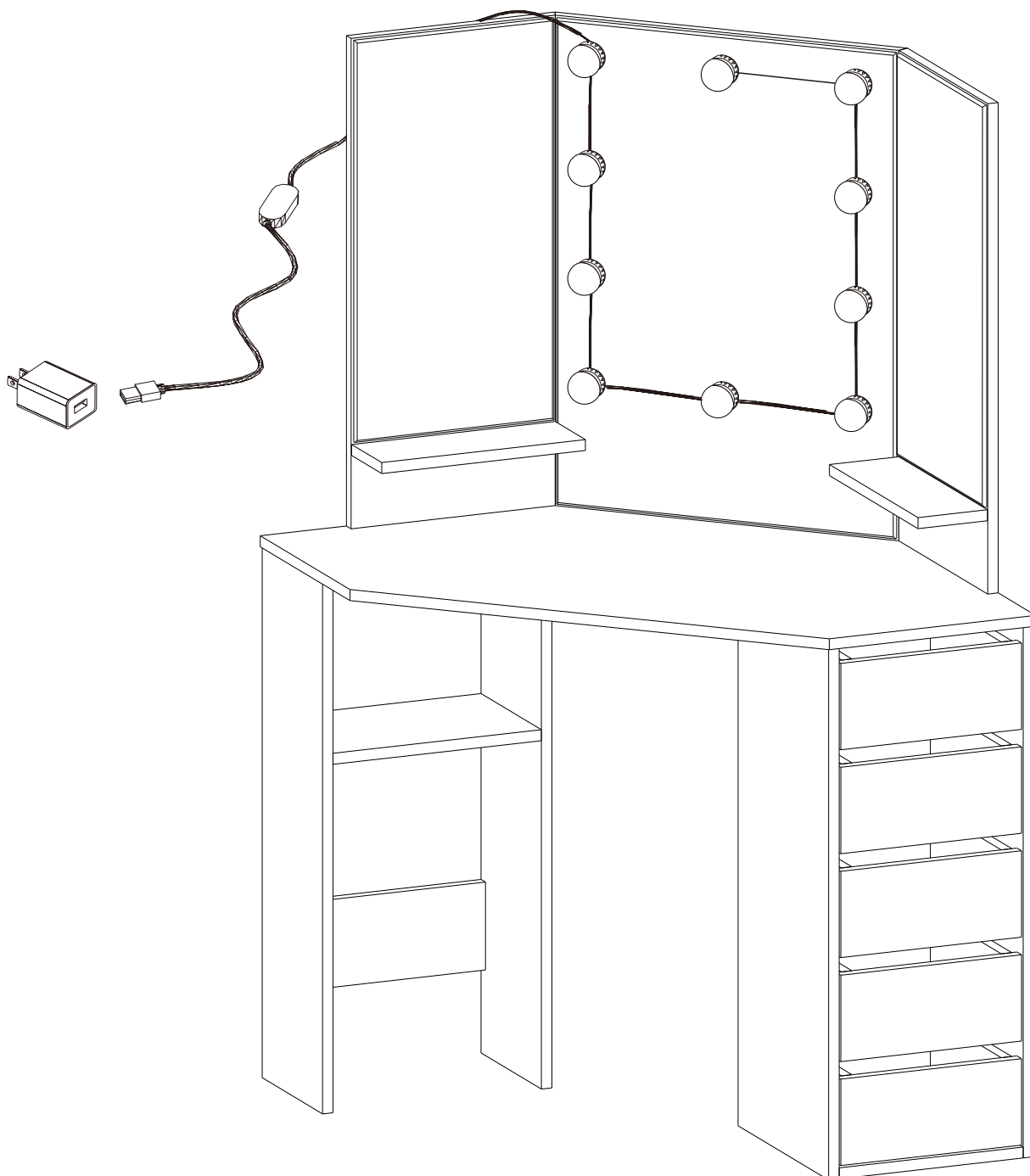
Install (F) on panel (13) and (14) of each drawer by using screws (C).



- (C) x 20
- (F) x 5

STEP 15

Stick double-sided adhesive tape on the back of the bulb and stick it on the mirror according to your favorite shape.



H	1 SET
---	-------