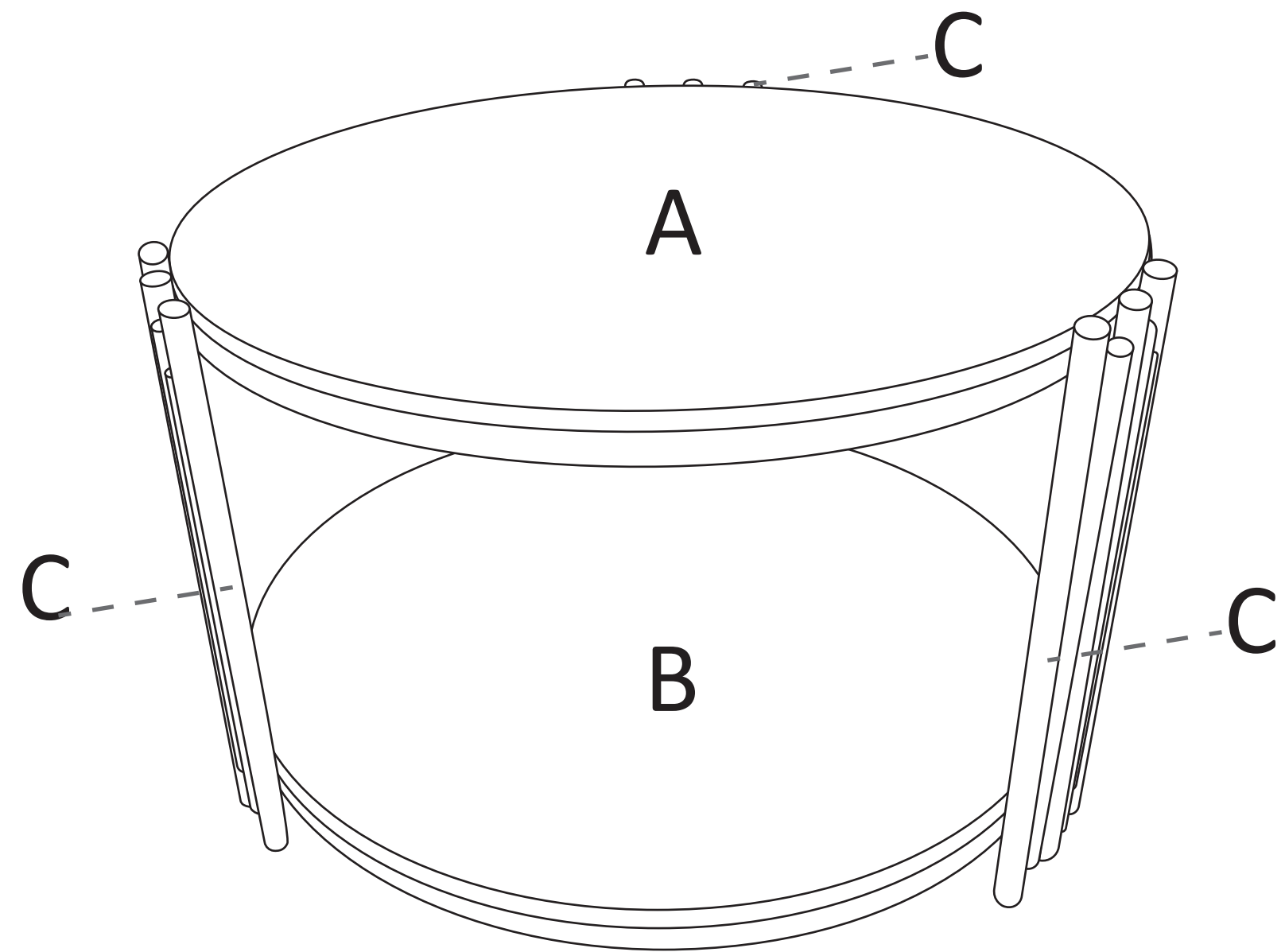
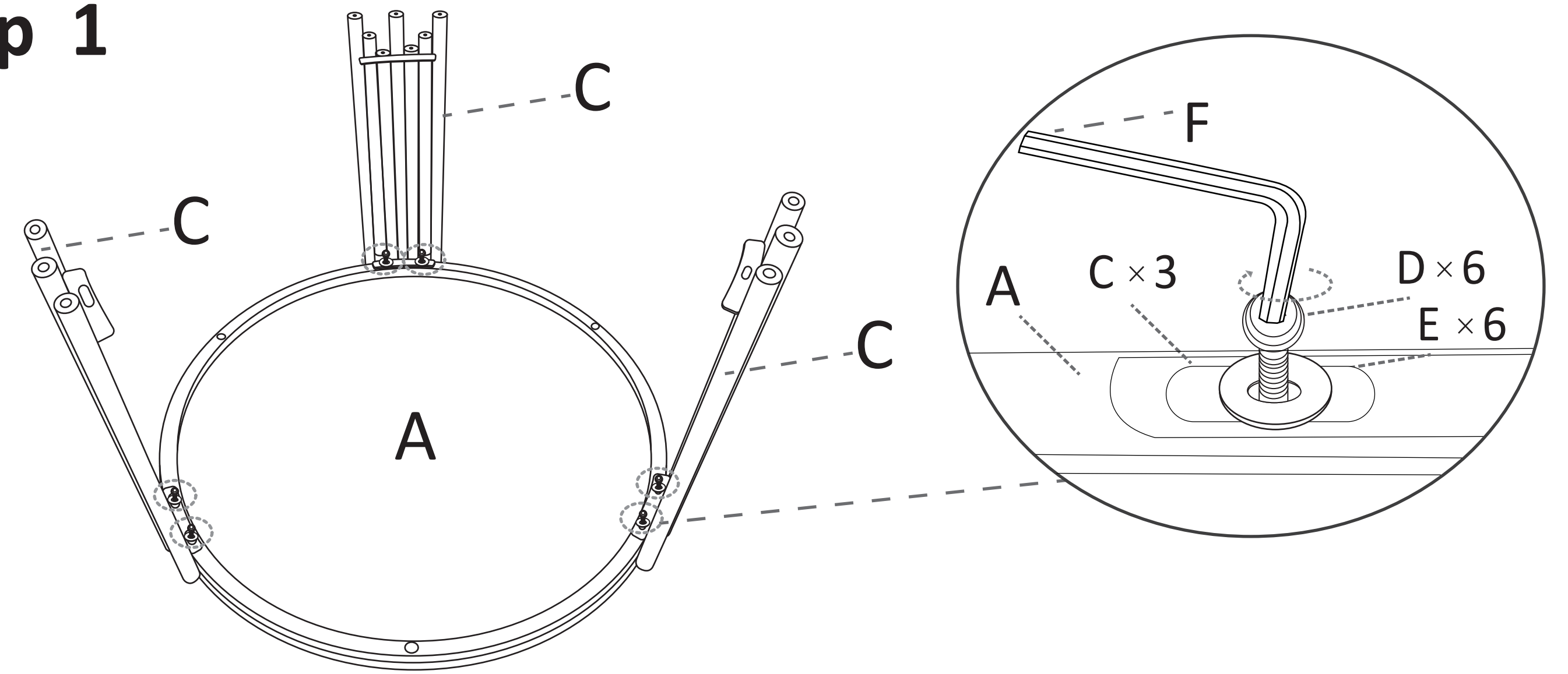


Assembly Instruction

Assemble on the pad to prevent scratching the product.
Do not tighten all screws before instructions prompt.

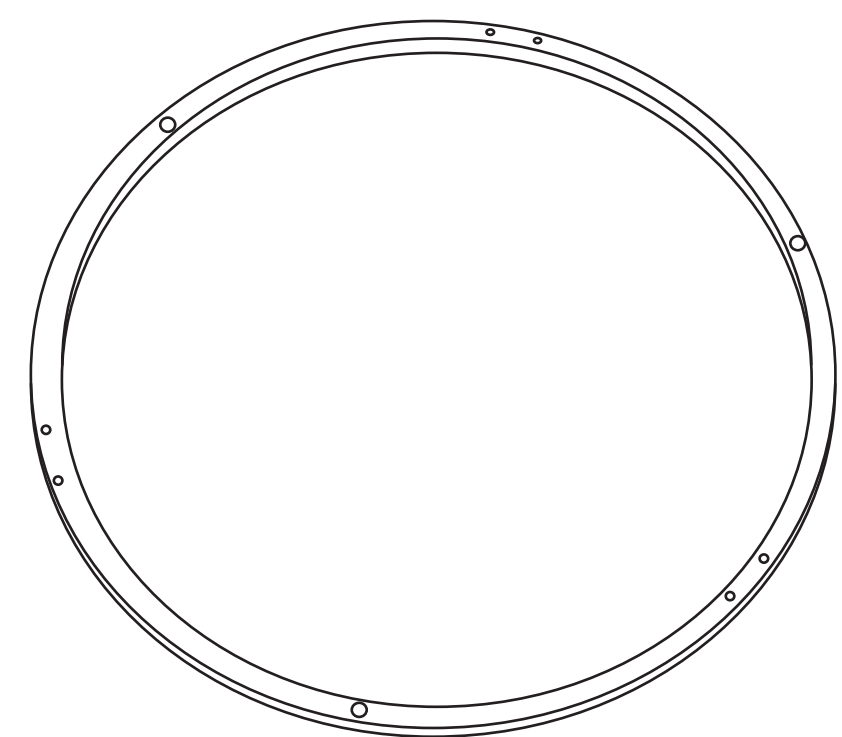


Step 1

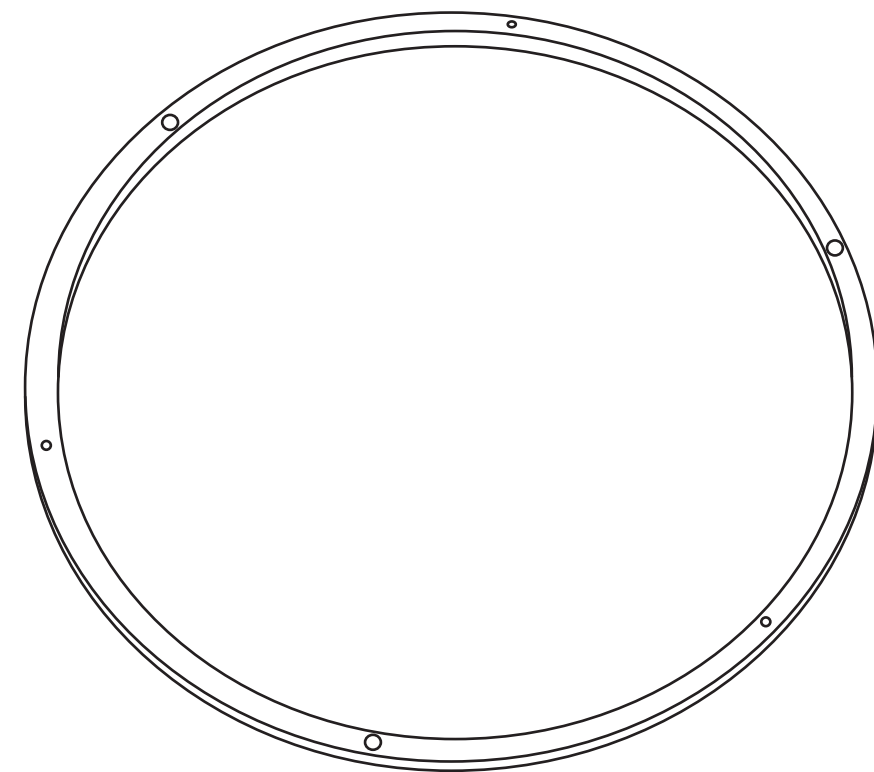


Parts List

Open the hardware check all parts QTY, thanks

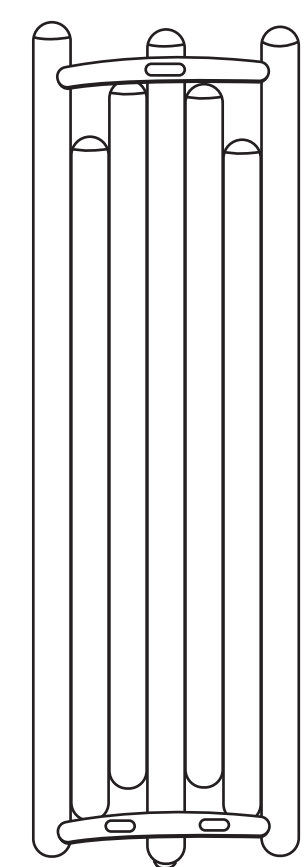
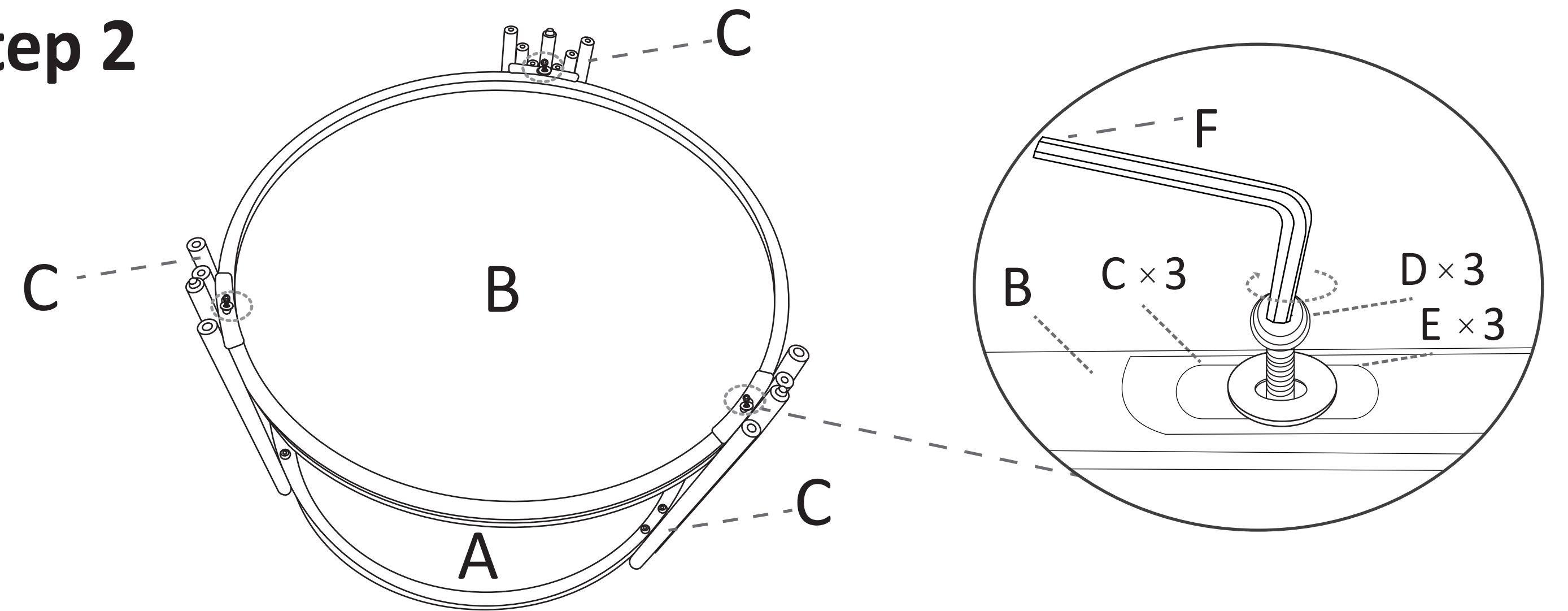


A

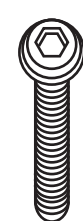


B

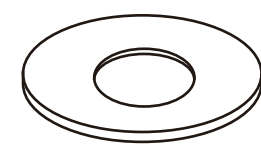
Step 2



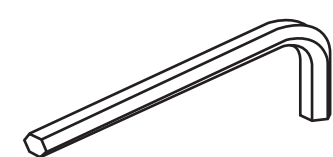
C × 3



D × 9



E × 9



F × 1

Step 3

