

Thank you for choosing a **Palace Imports** product.

Your complete satisfaction is our top priority.

Customer Service and Warranty Information

- **For Warranty Assistance:**

If you experience any issues or require additional information regarding your warranty, please do not contact the place of purchase. Instead, reach out directly to our Customer Service Team for prompt support.

- **Warranty Coverage:**

PALACE IMPORTS warrants its products to the original purchaser against defects in materials or workmanship. A defect is defined as any flaw that impairs the normal use of the product. This warranty is limited to the replacement of defective parts or components and is valid for one (1) year from the date of purchase.

- **Warranty Limitations:**

This warranty covers products used under normal household conditions. It does not apply to furniture used outdoors or damage resulting from improper assembly or disassembly, product modification, intentional damage, accidents, misuse, exposure to elements, or any labor or assembly costs.

- **Additional Terms:**

PALACE IMPORTS reserves the right to require proof of purchase to process any warranty claim. We are not liable for any incidental or consequential damages arising from the misuse of our products.

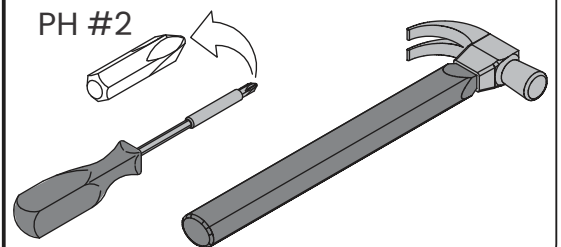
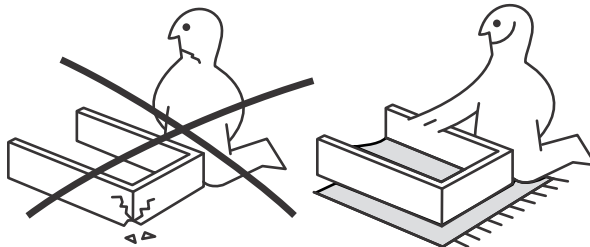
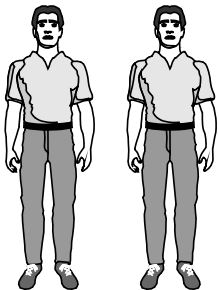
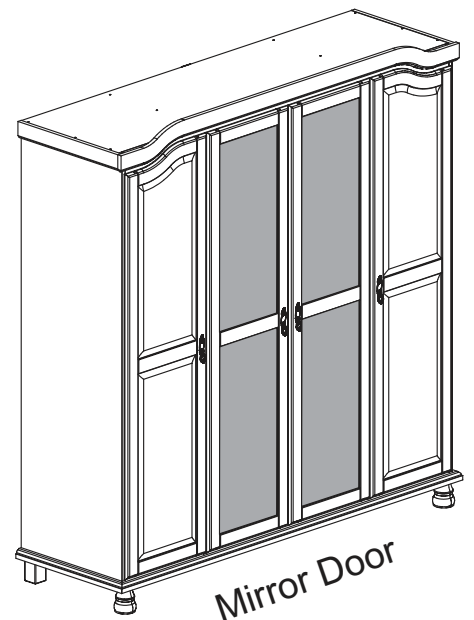
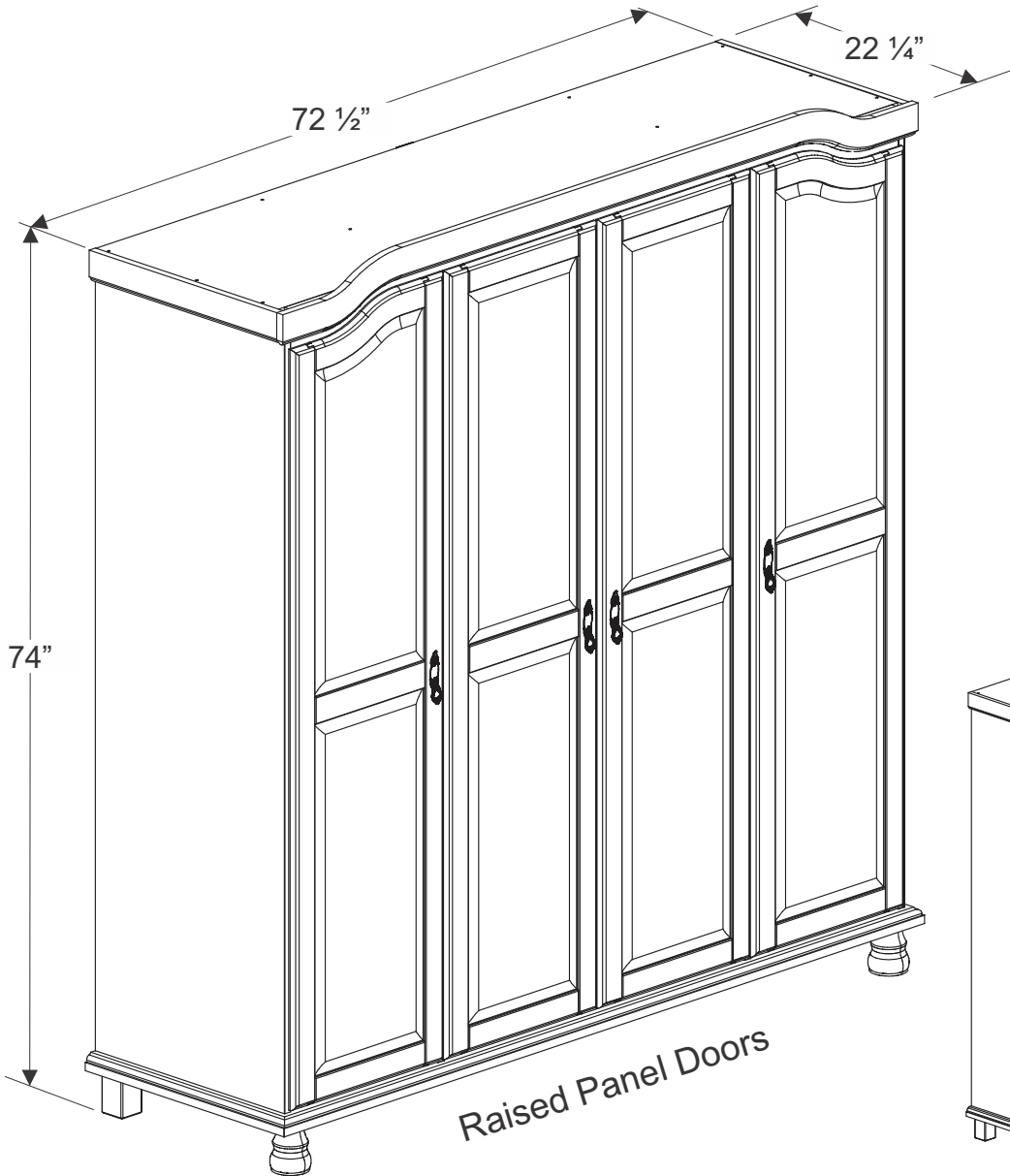
ASSEMBLY GUIDE

KYLE 4-DOOR WARDROBE

Compliant with Federal Law STURDY Act (Stop Tip-overs of Unstable, Risky Dressers on Youth). Passed 16 CFR 1262, ASTM F2057-23 Tests.

Raised Panel Doors
 Raised Panel Doors
 Raised Panel Doors
 Raised Panel Doors

- Mirrored Doors - White
 - Mirrored Doors - Java
 - Mirrored Doors - Black
 - Mirrored Doors - Espresso



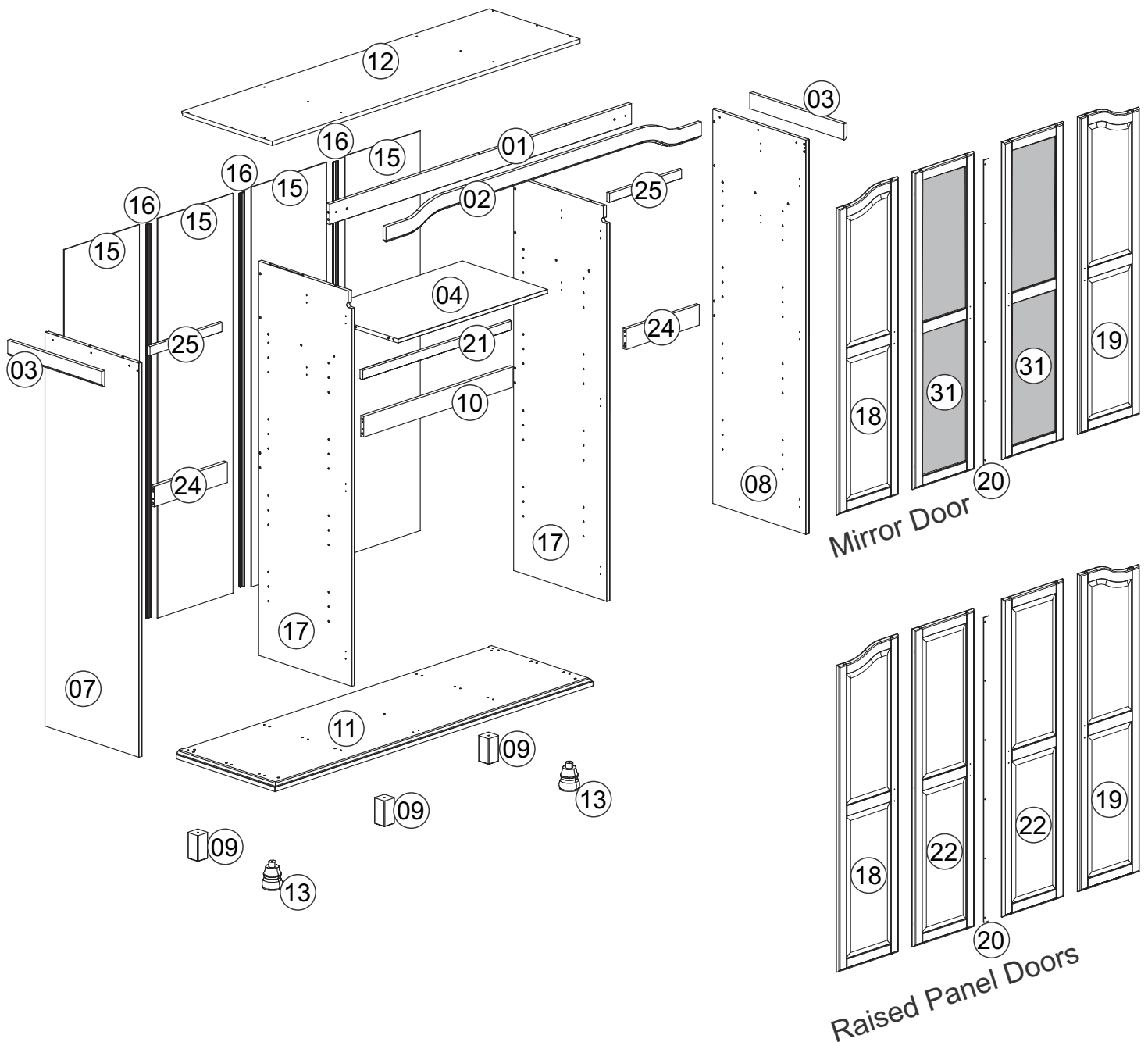
Before You Begin Assembly

- Carefully inspect the package contents. A complete parts checklist is provided below.
- If any parts are missing or damaged, please contact us for assistance.


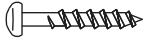
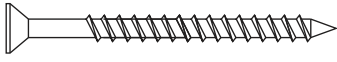

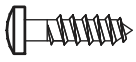
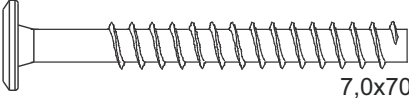

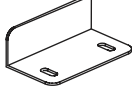
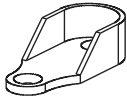

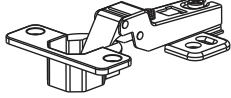
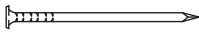
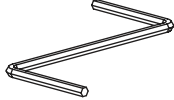

Assembly Tips


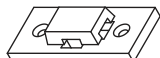

- Assemble the item on a flat, smooth surface. We recommend placing a blanket or protective covering underneath to prevent scratches.
- Use a power drill **only at a low-speed setting** to avoid damaging components.
- Assemble the product as close as possible to its final location to minimize the need for moving it later.
- Important: The hardware pack contains small parts that may pose a choking hazard.
Keep all small items out of reach of young children.

PARTS LAYOUT



Screws Are Illustrated at Actual Size for Accurate Reference

A1	 4,0x30	26+1
A7	 3,0x16	08+1
A16	 4,0x40	26+1
A42	 4,0x14	12+1
A44	 3,5x14	74+2
B19	 7,0x70	05
C2	 8,0x25	48+2
D3	 45x27x12	01
D10		06
D16	 17,5x17,5x13	03
F10		12
G1	 10x10	62
G8		01
H18		04

TIPOVER RESTRAINT KIT		
A47	 3,0x20	02+1
F8	 47x20x9	02
F15	 300mm	01

WARNING: CHOKING HAZARD

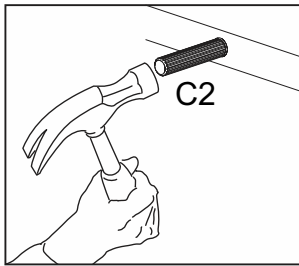
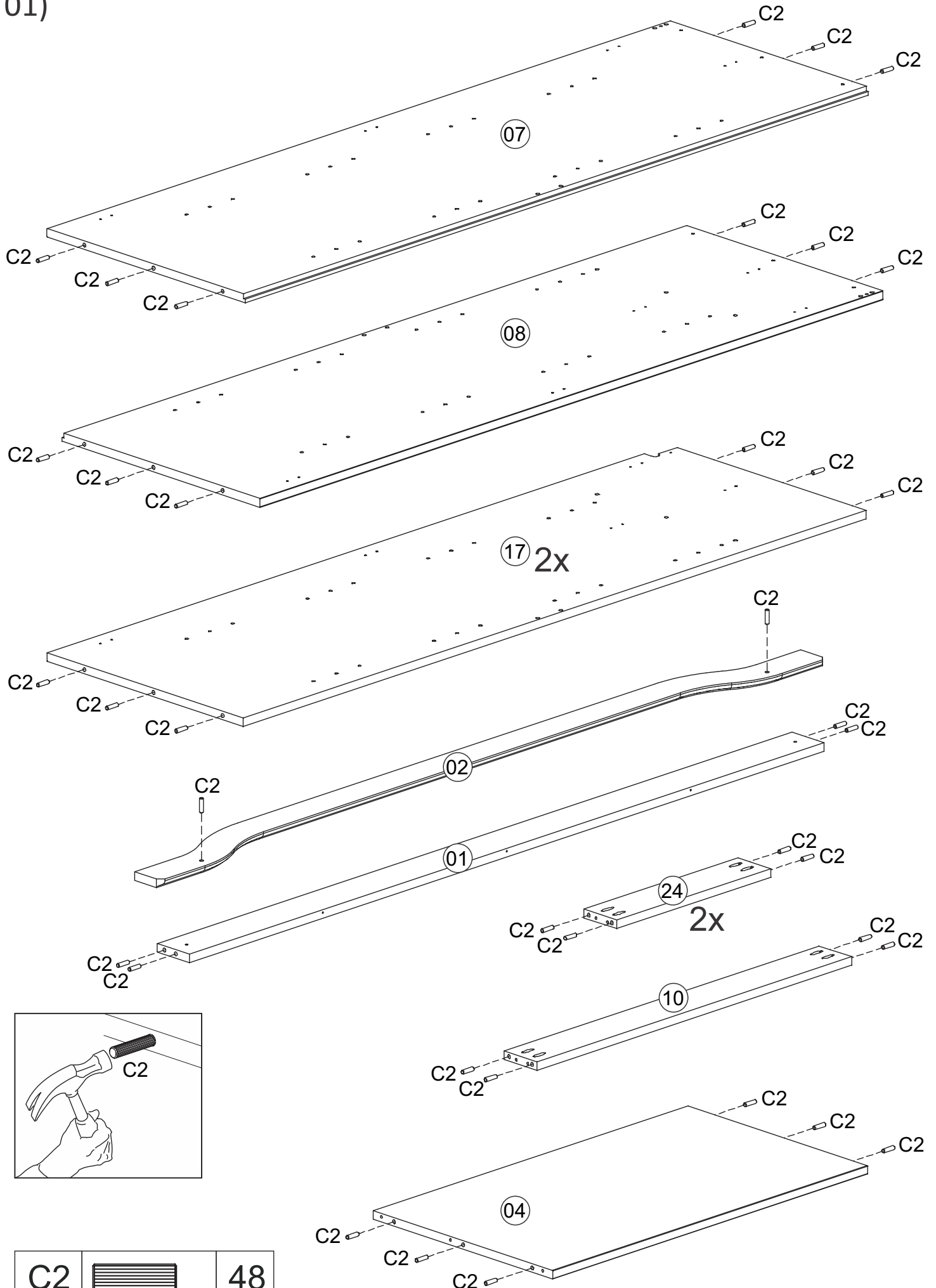
Contains small parts - choking hazard.
Adult supervision is required during assembly.
Not suitable for children under 3 years of age.


WARNING:

Important Safety Notice:

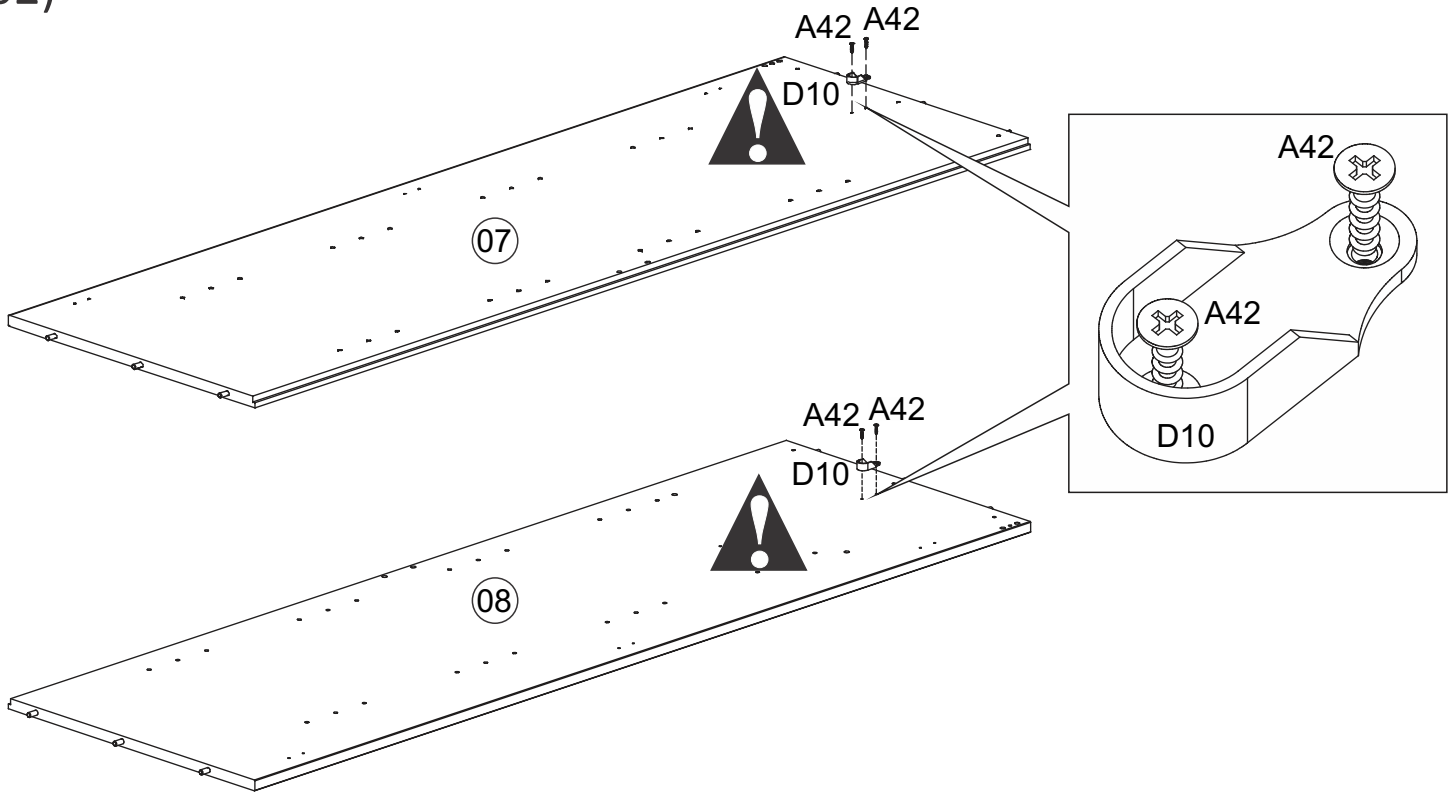
This furniture includes tip-over prevention hardware, which **MUST** be securely attached to the wall as outlined in the assembly instructions. Failure to do so may result in serious injury or death.

01)



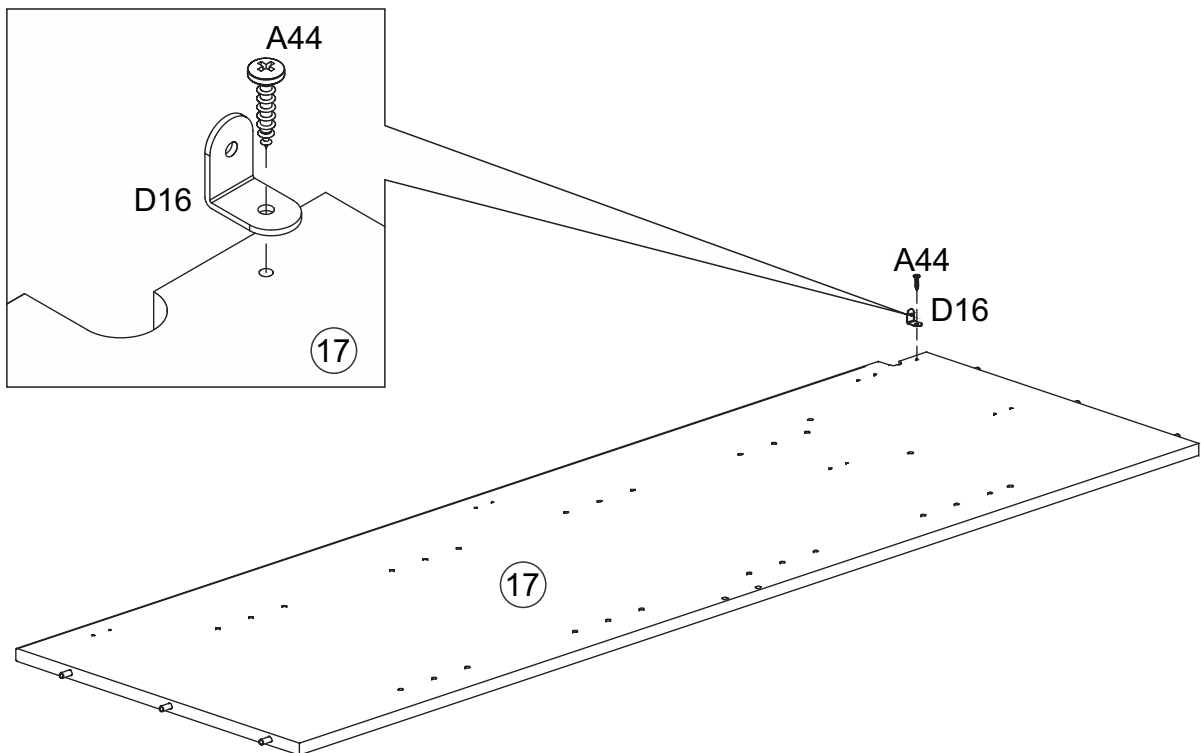
C2		48
	8,0x25	

02)



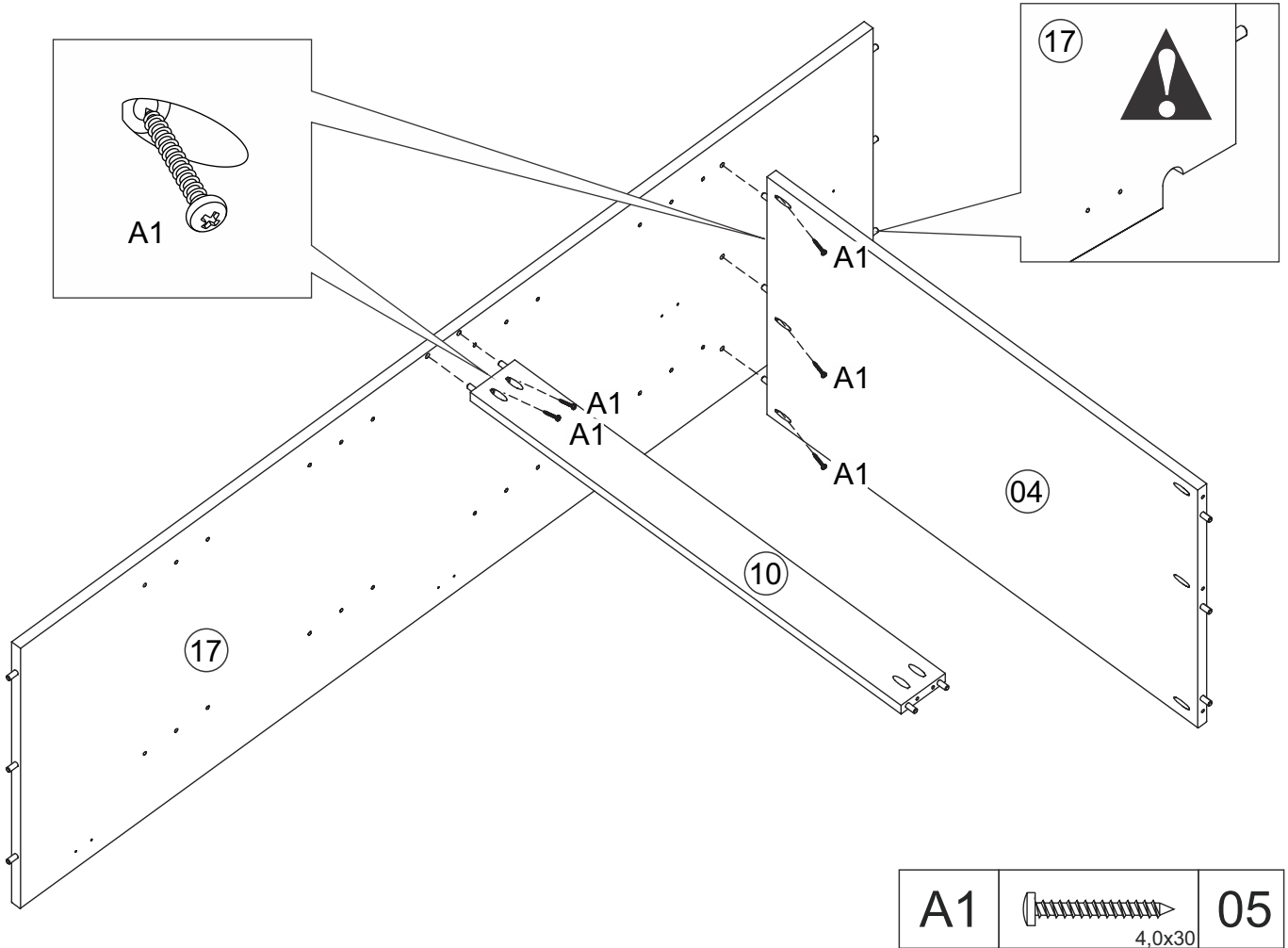
A42		04	D10		02
	4.0x14				

03)
2x

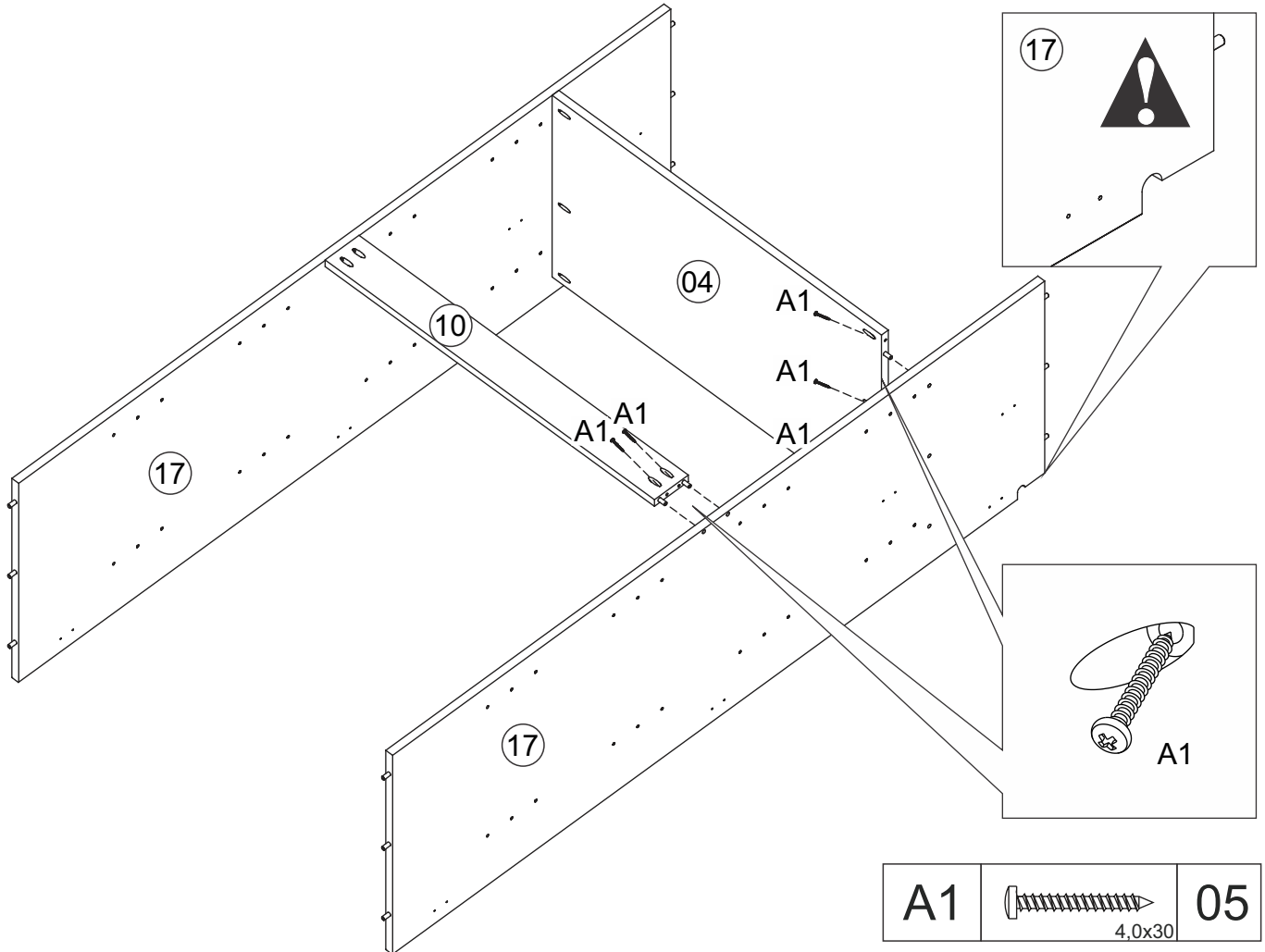


A44		02	D16		02
	3.5x14				

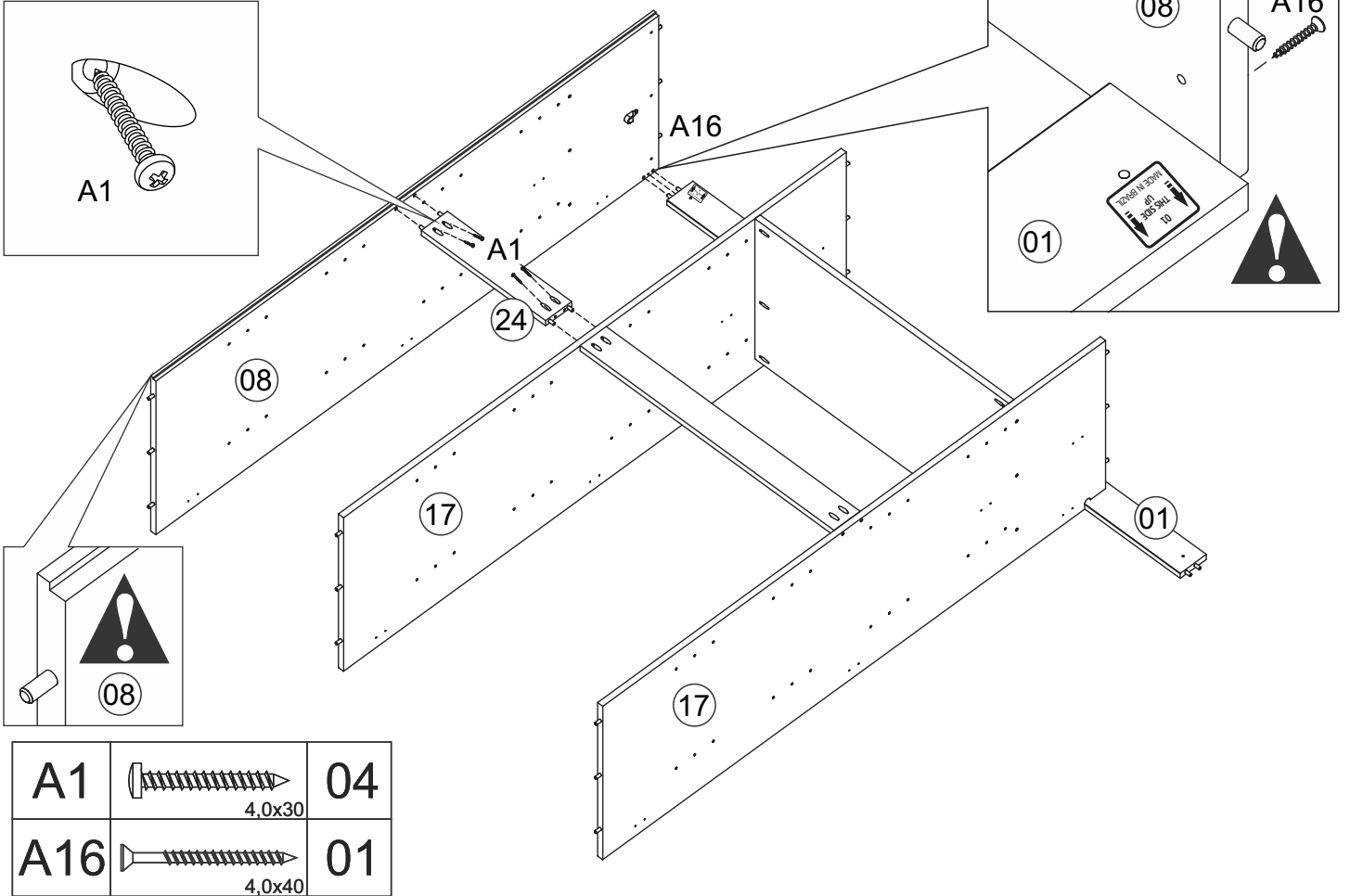
04)



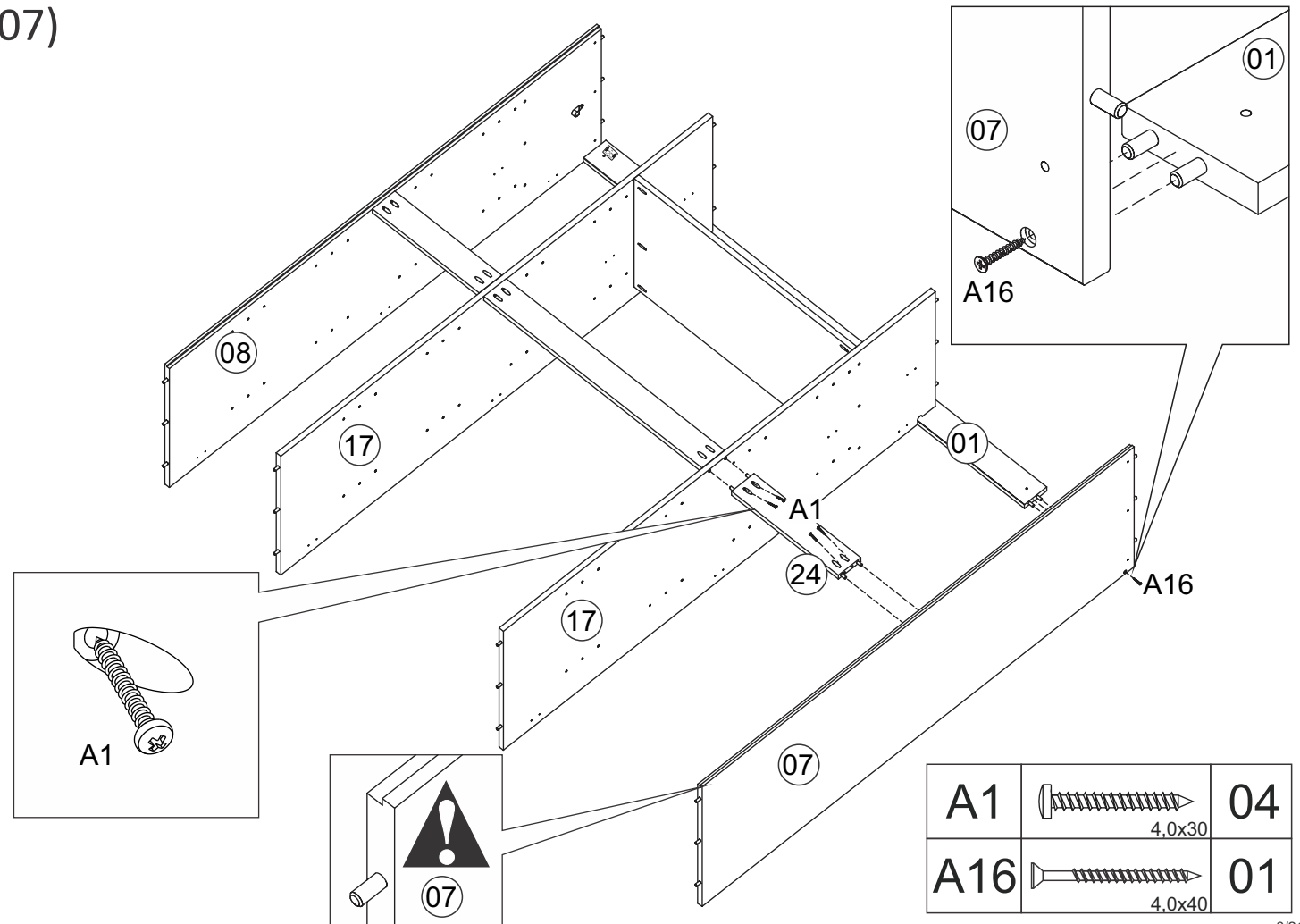
05)



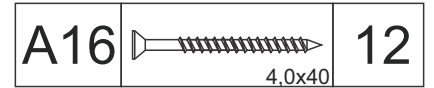
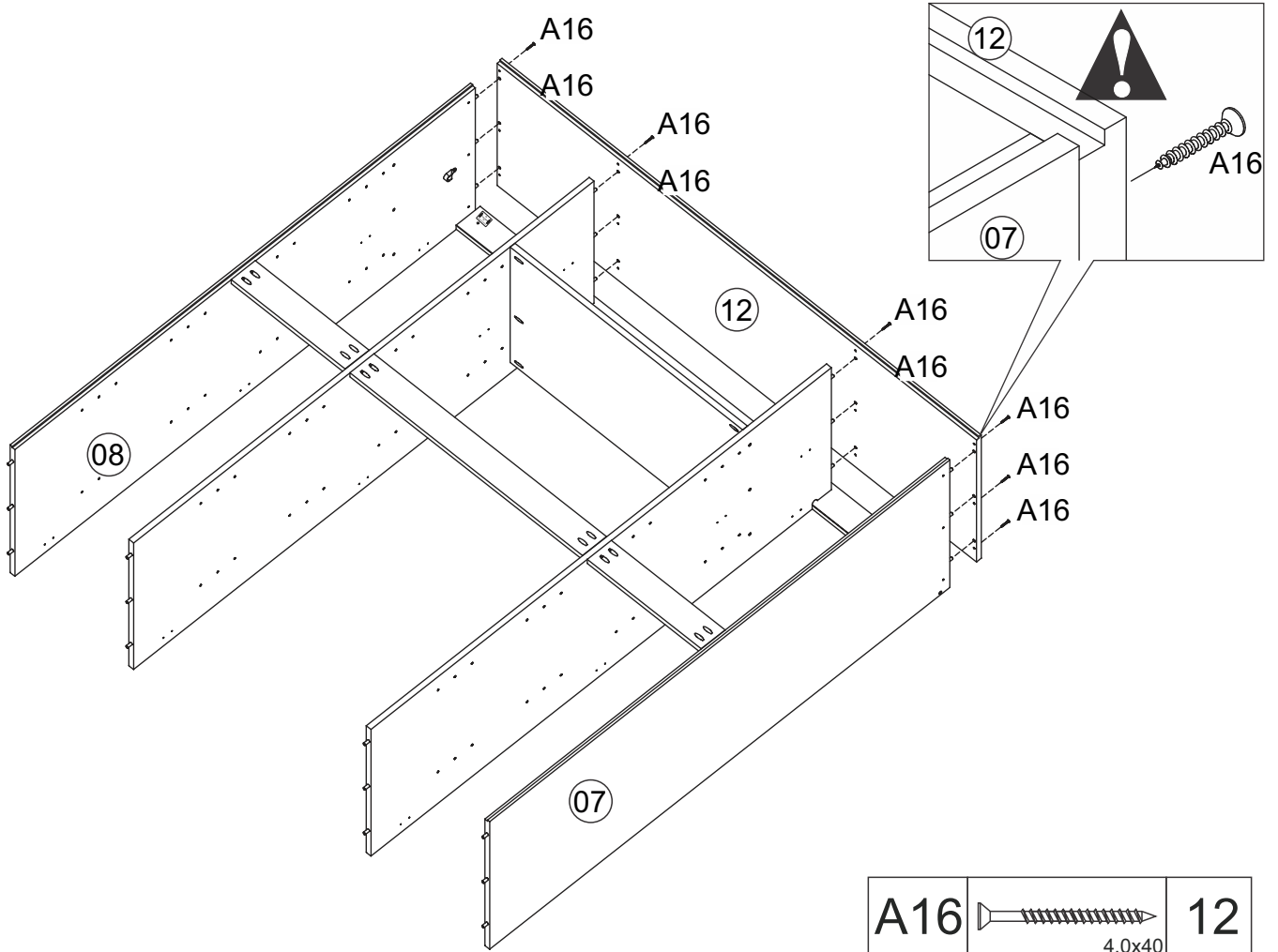
06)



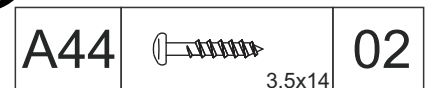
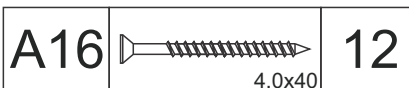
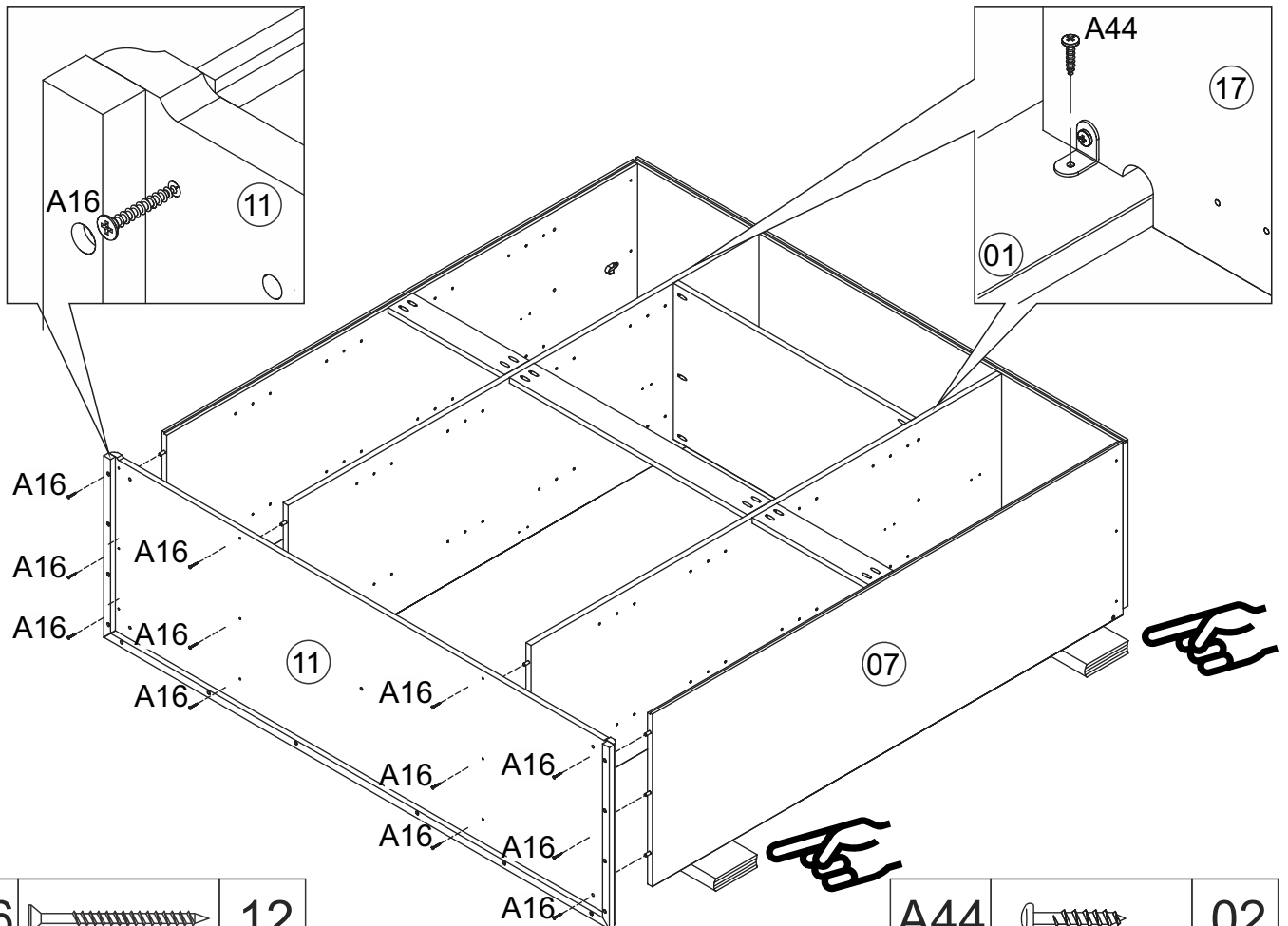
07)



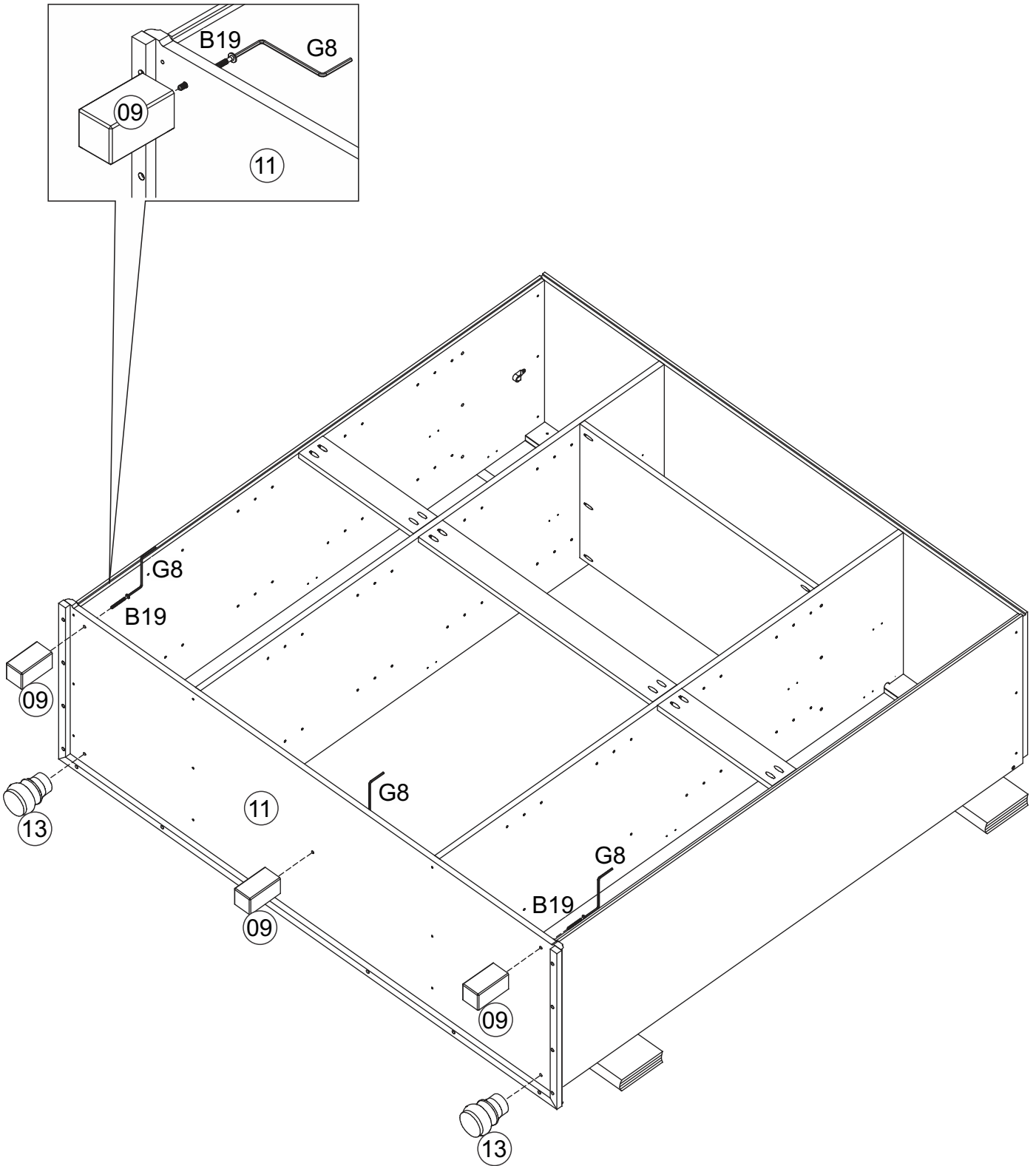
08)

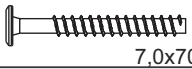



09)

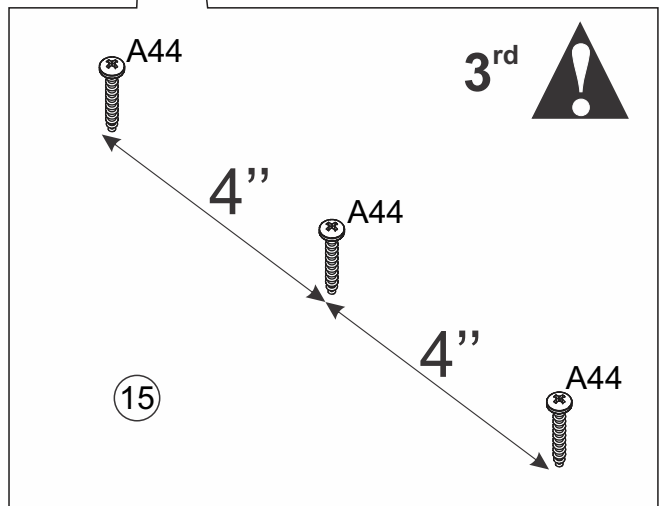
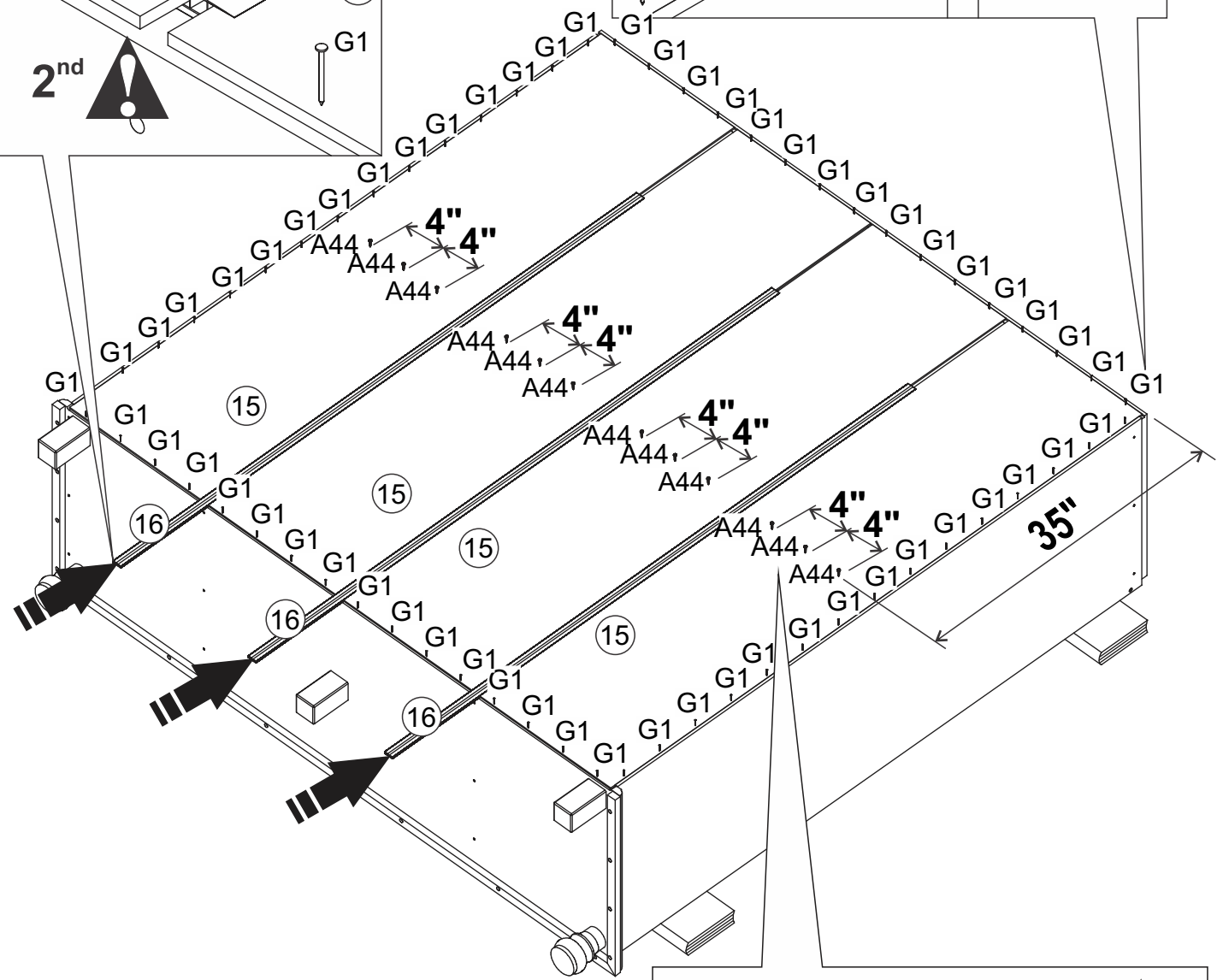
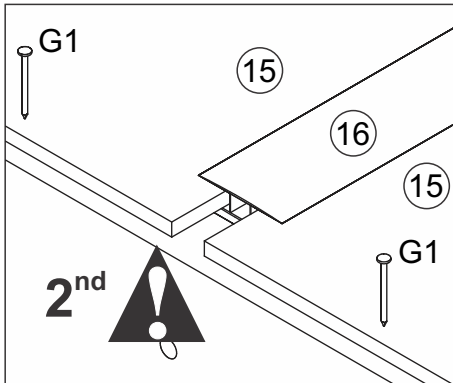
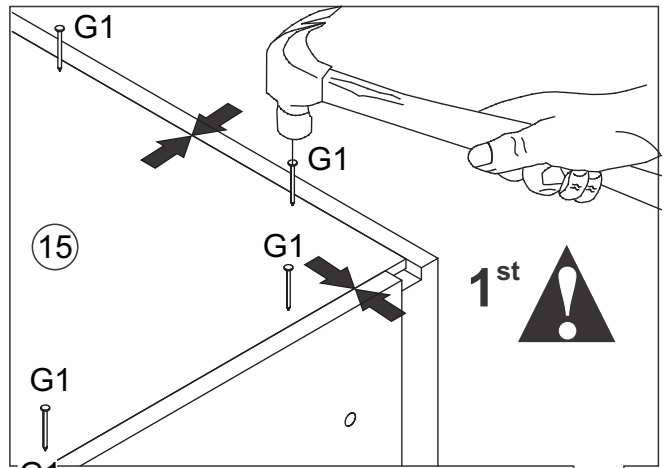


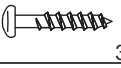
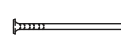
10)



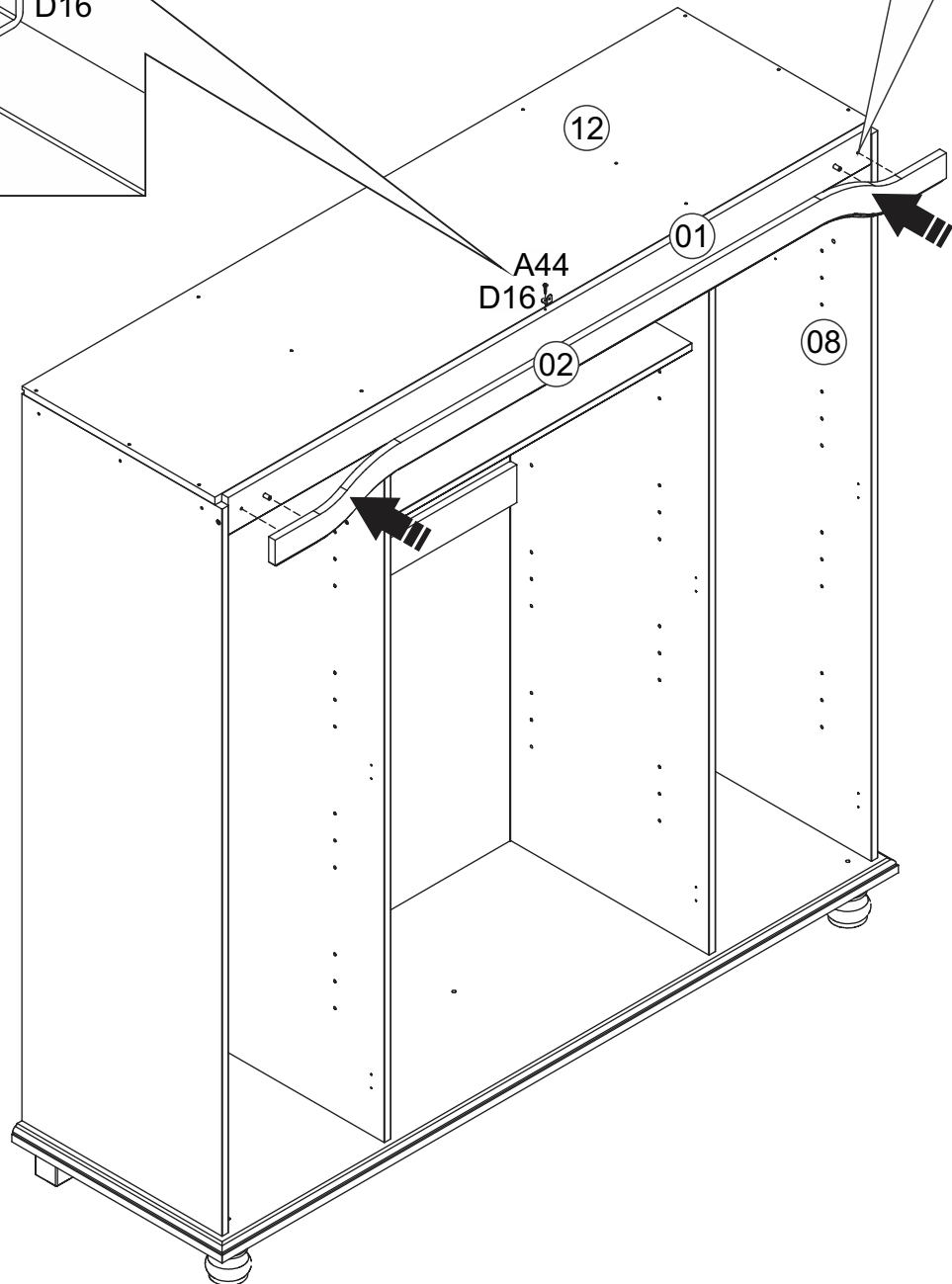
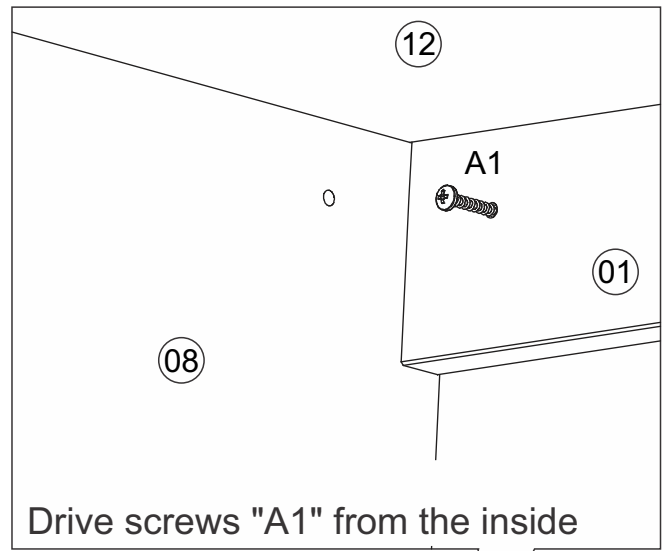
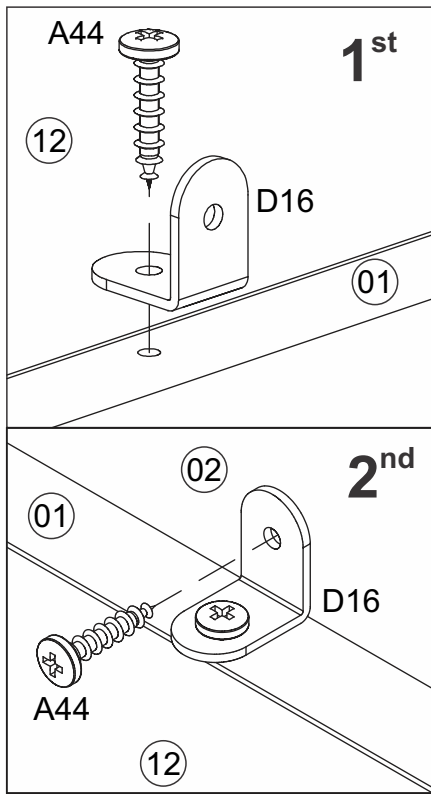
B19	 7,0x70	05
G8		01


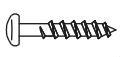

11)



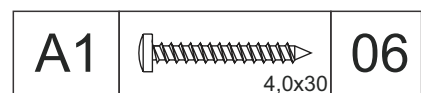
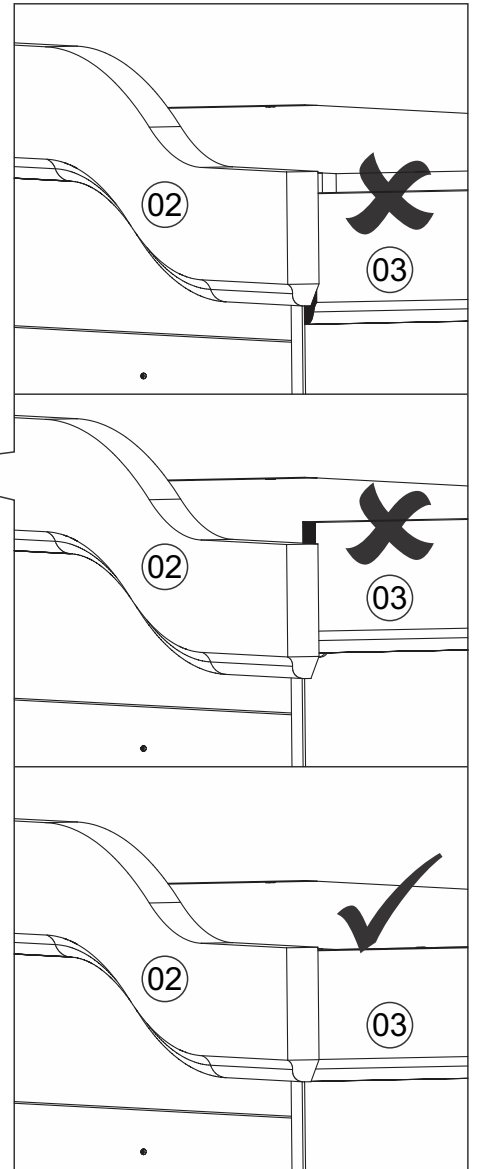
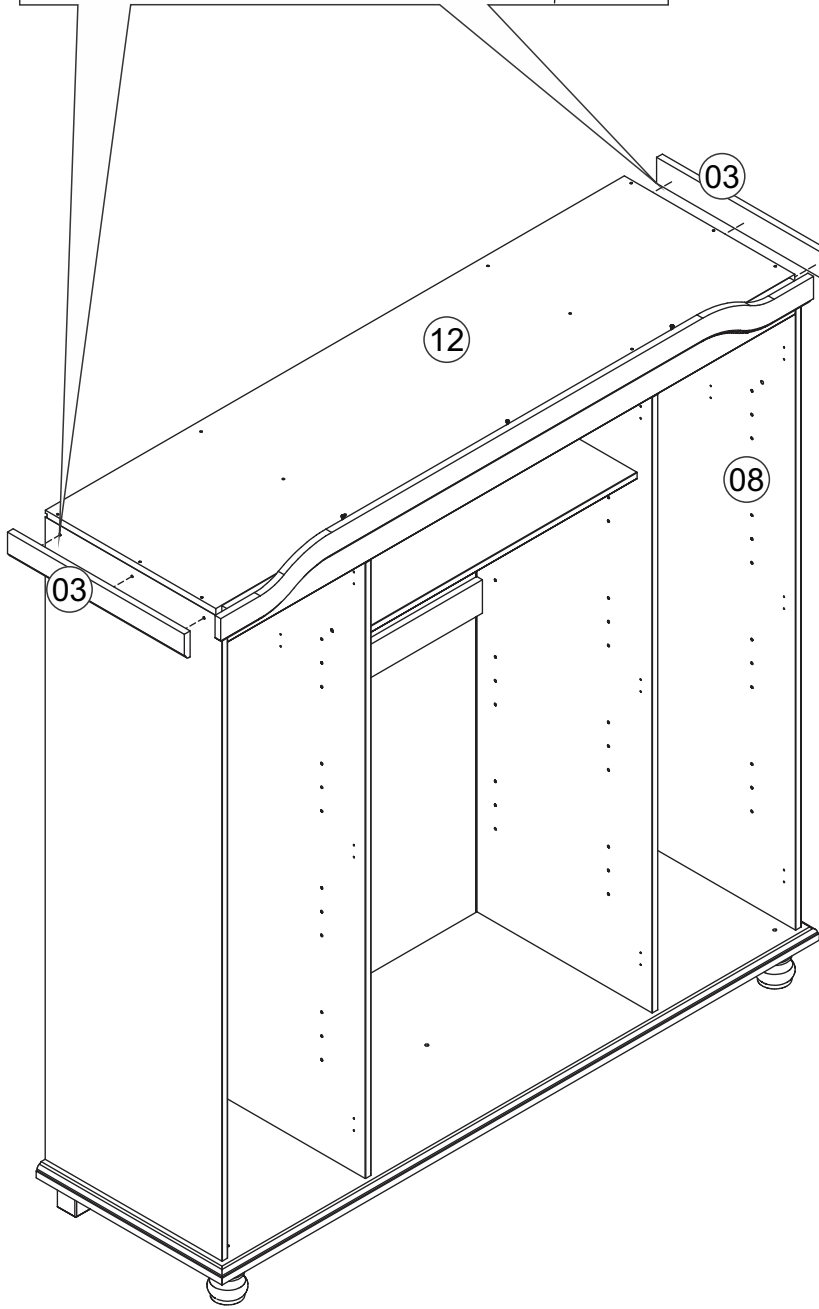
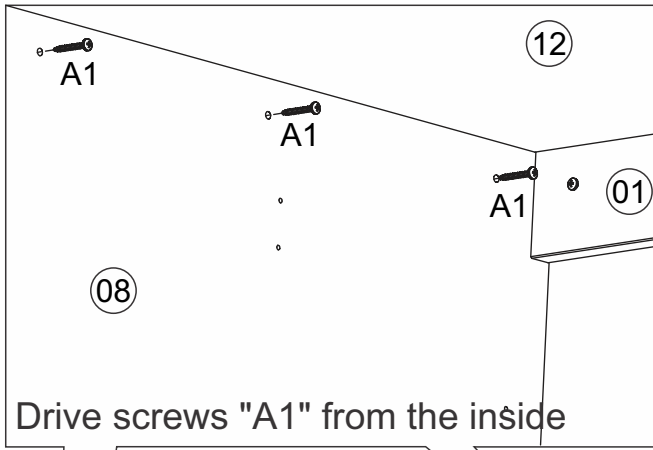
A44	 3.5x14	12
G1	 10x10	62

12)

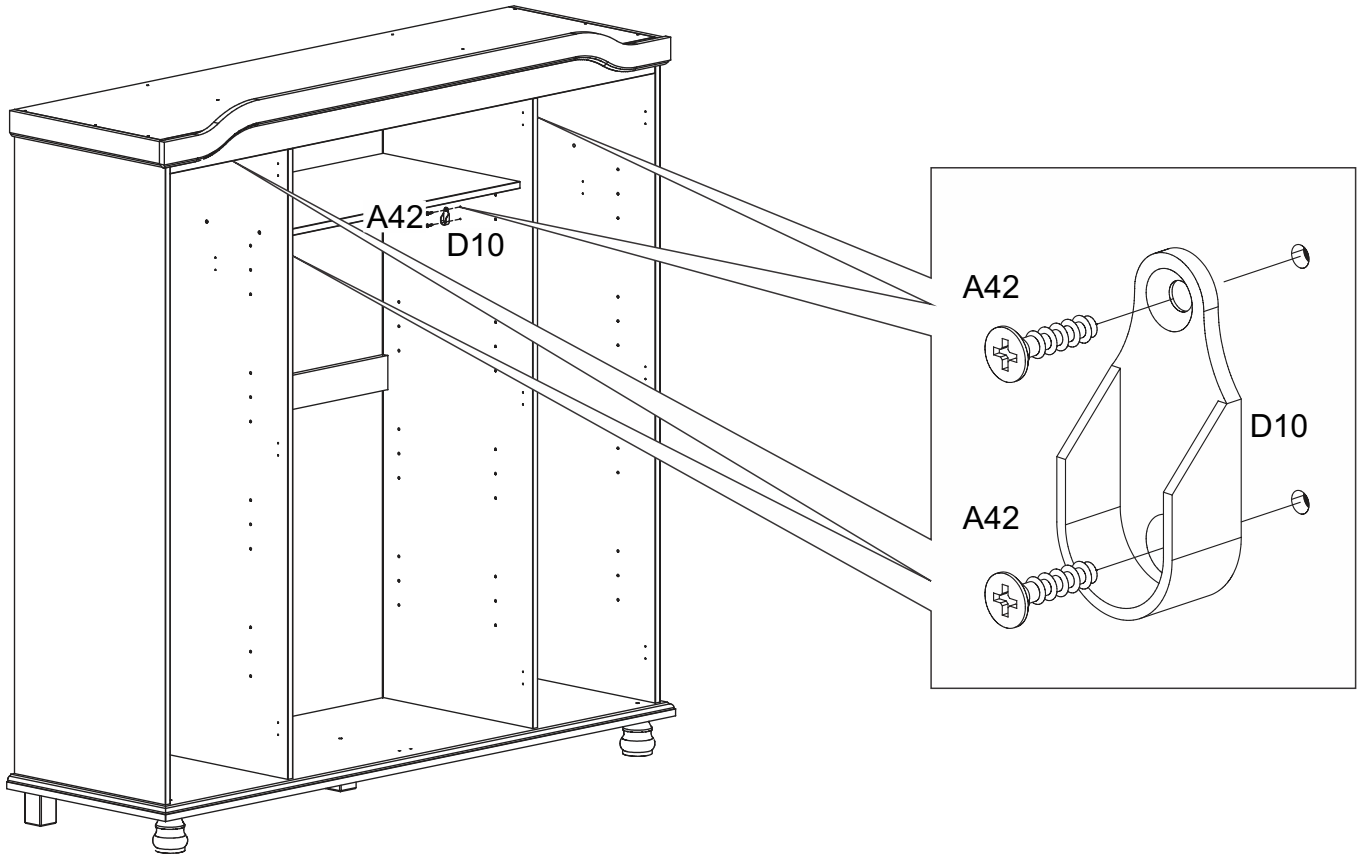


A1	 4,0x30	02	A44	 3,5x14	02	D16		01
----	---	----	-----	---	----	-----	---	----

13)

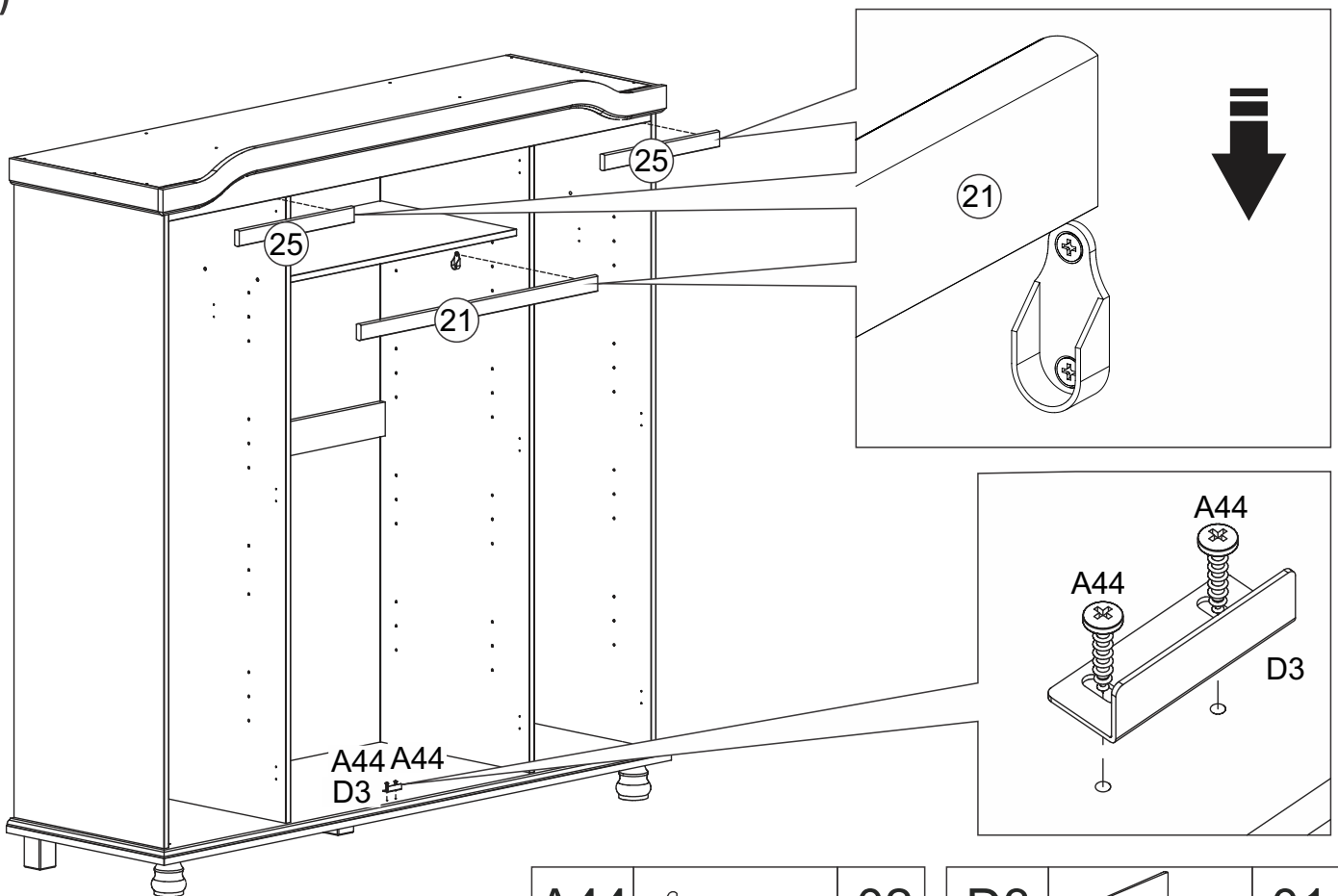


14)



A42		08	D10		04
	4.0x14				

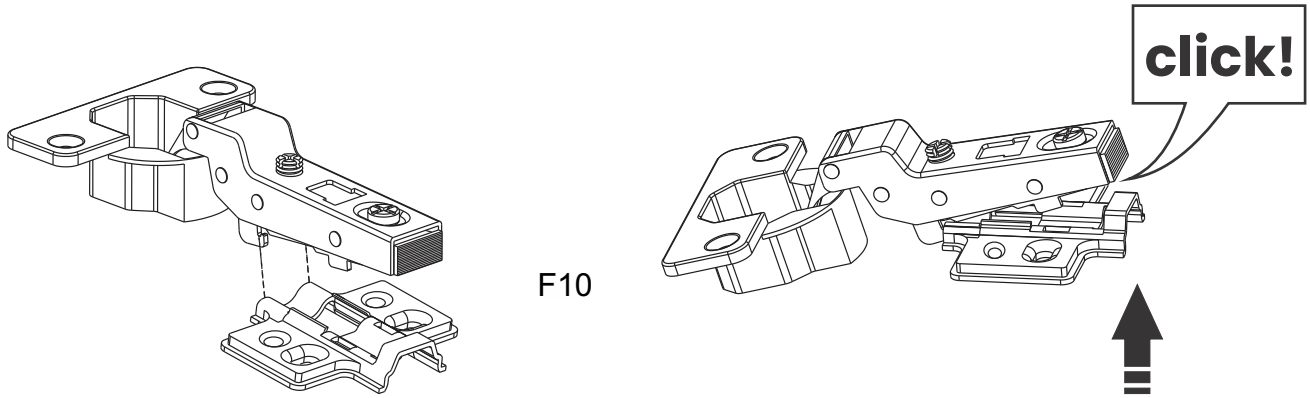
15)



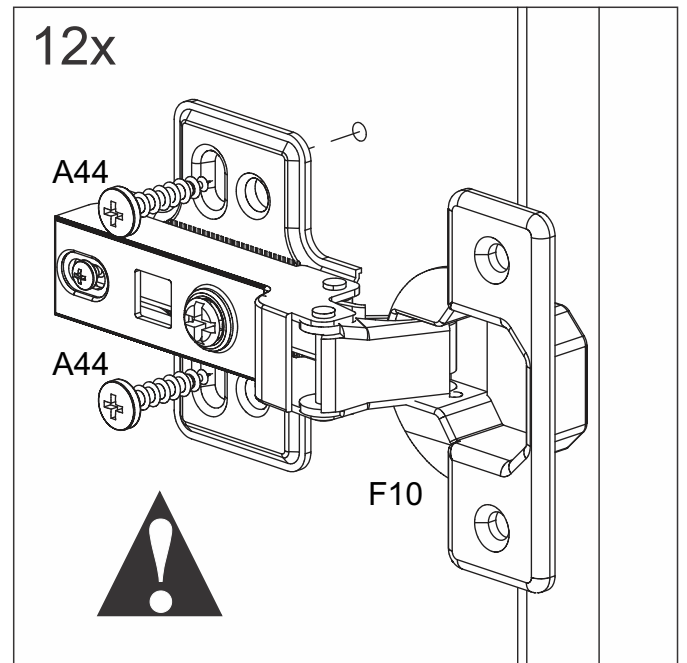
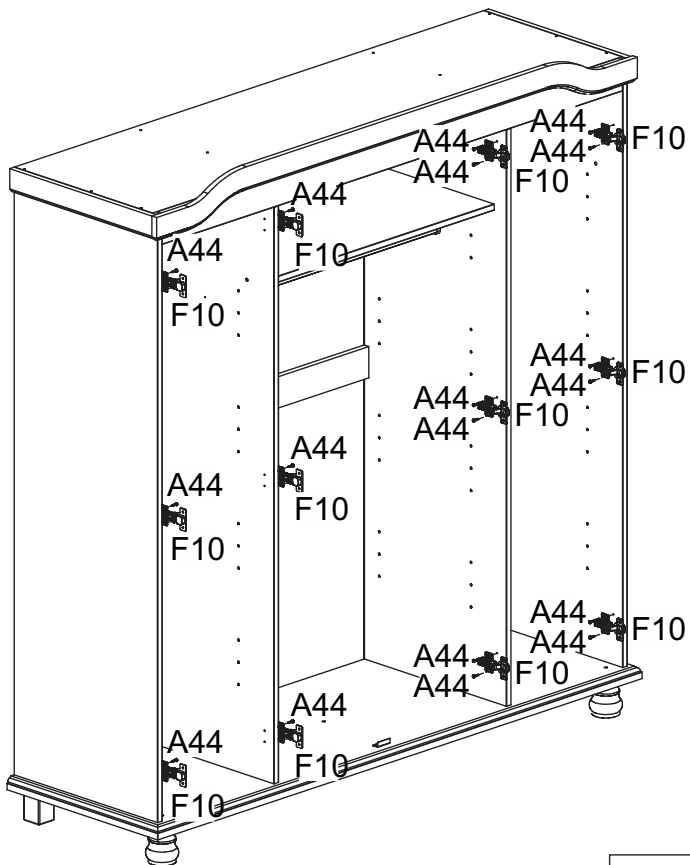
A44		02	D3		01
	3.5x14				

16)

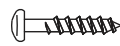
If the hinge (F10) is detached, attach it to the hinge plate by aligning and pushing it in until it clicks securely into place.



17)



A44



3,5x14

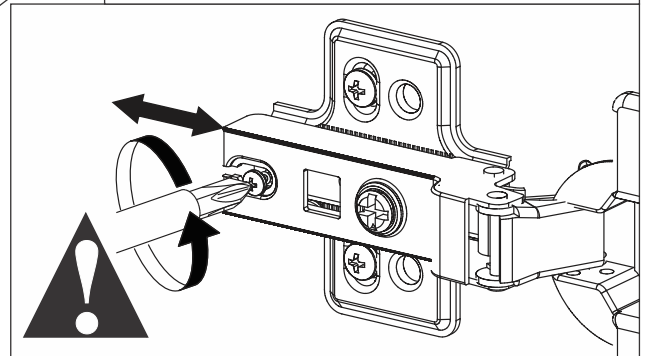
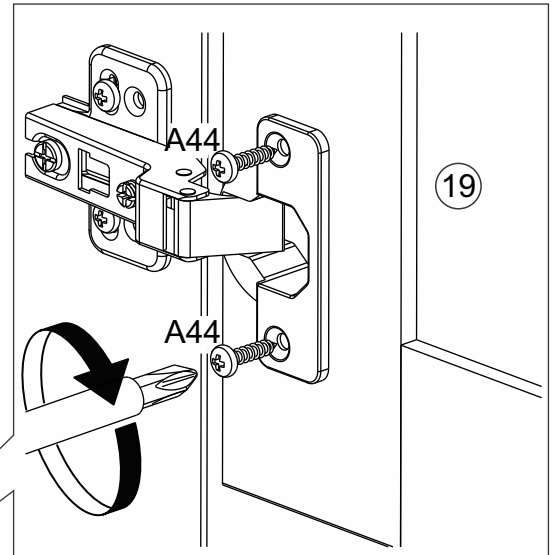
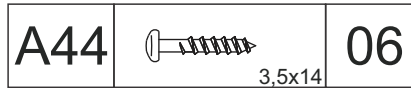
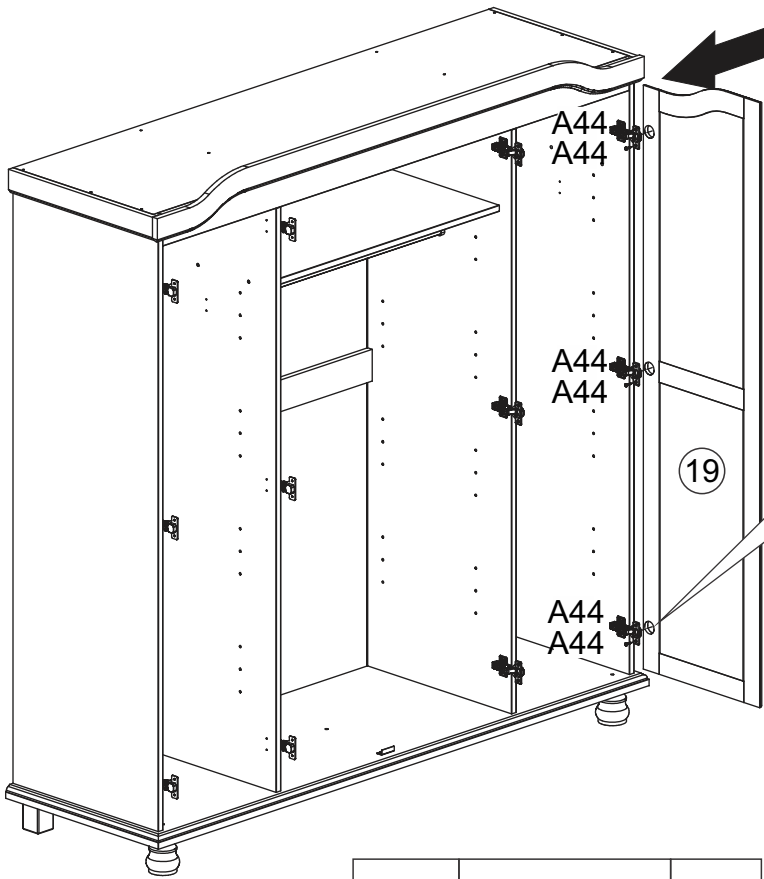
24

F10



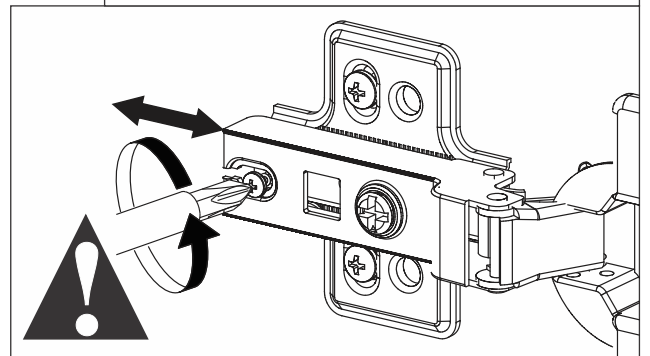
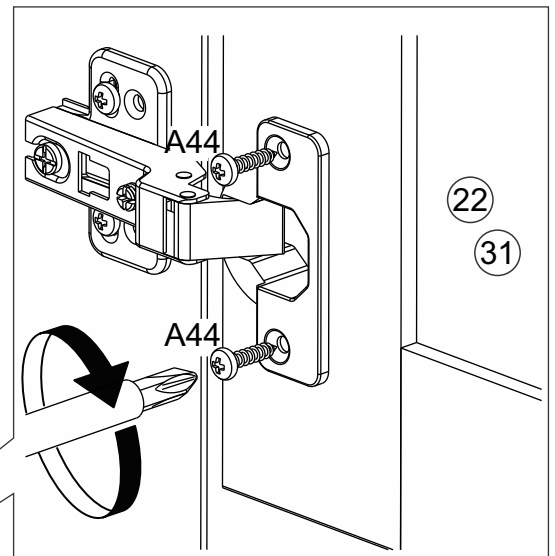
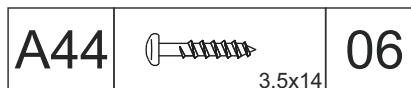
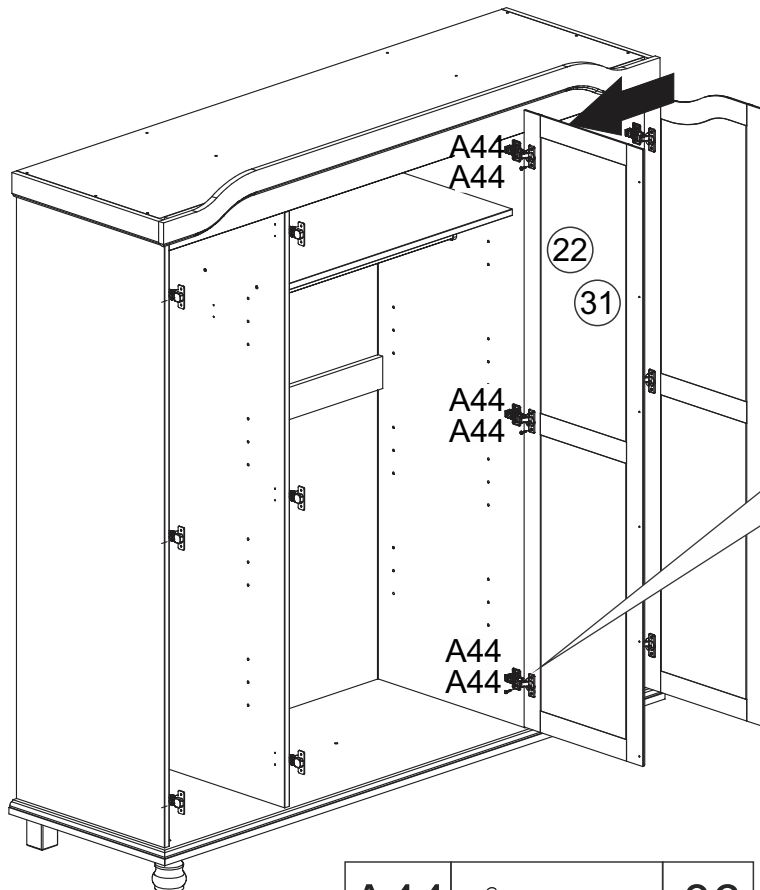
12

18)



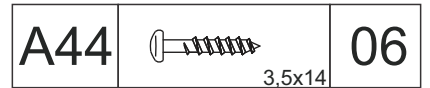
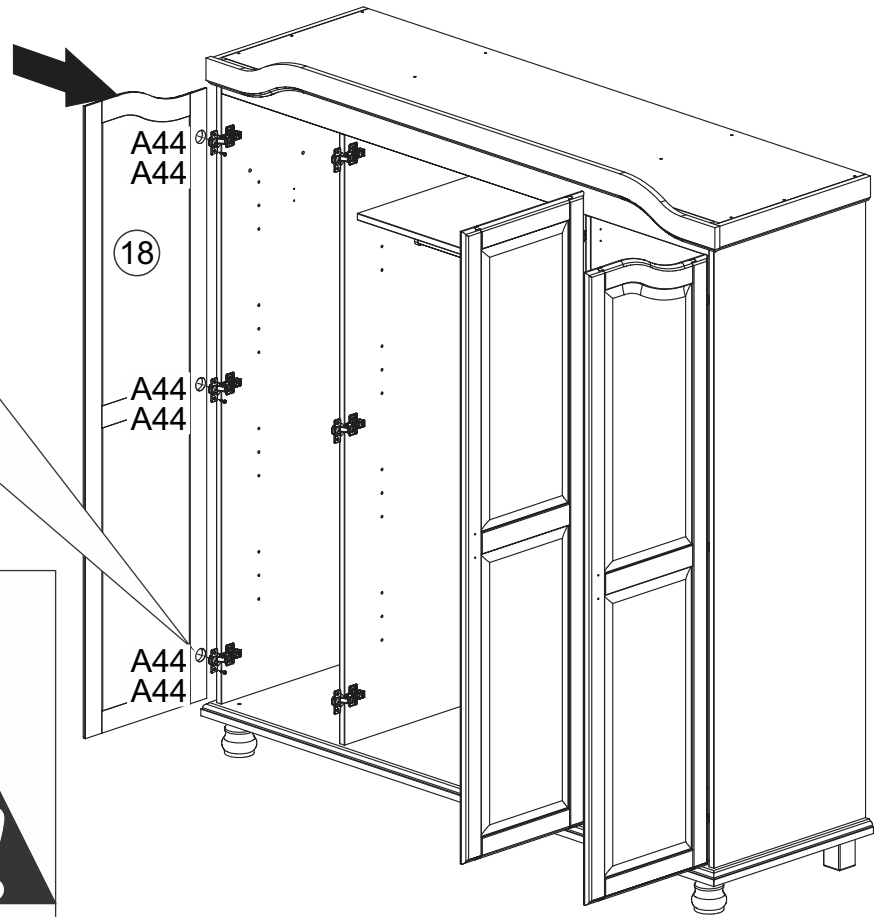
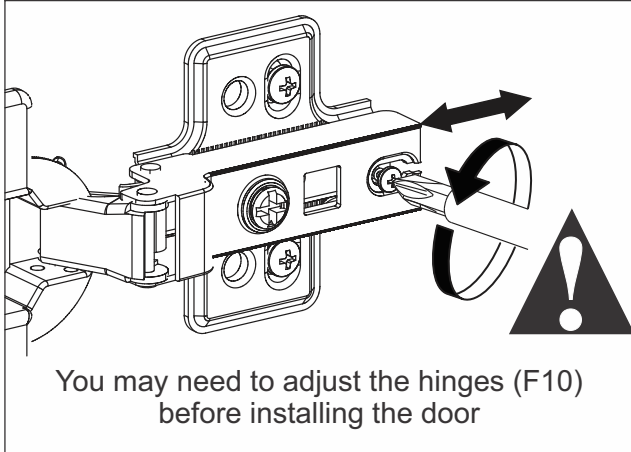
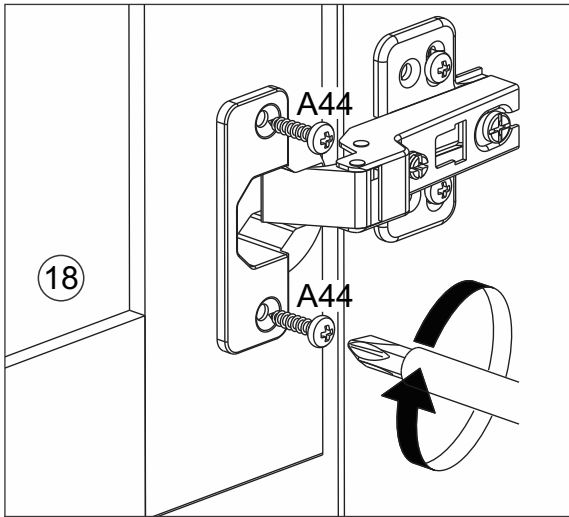
You may need to adjust the hinges (F10) before installing the door

19)

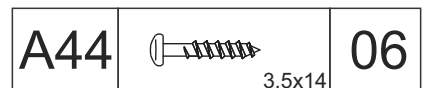
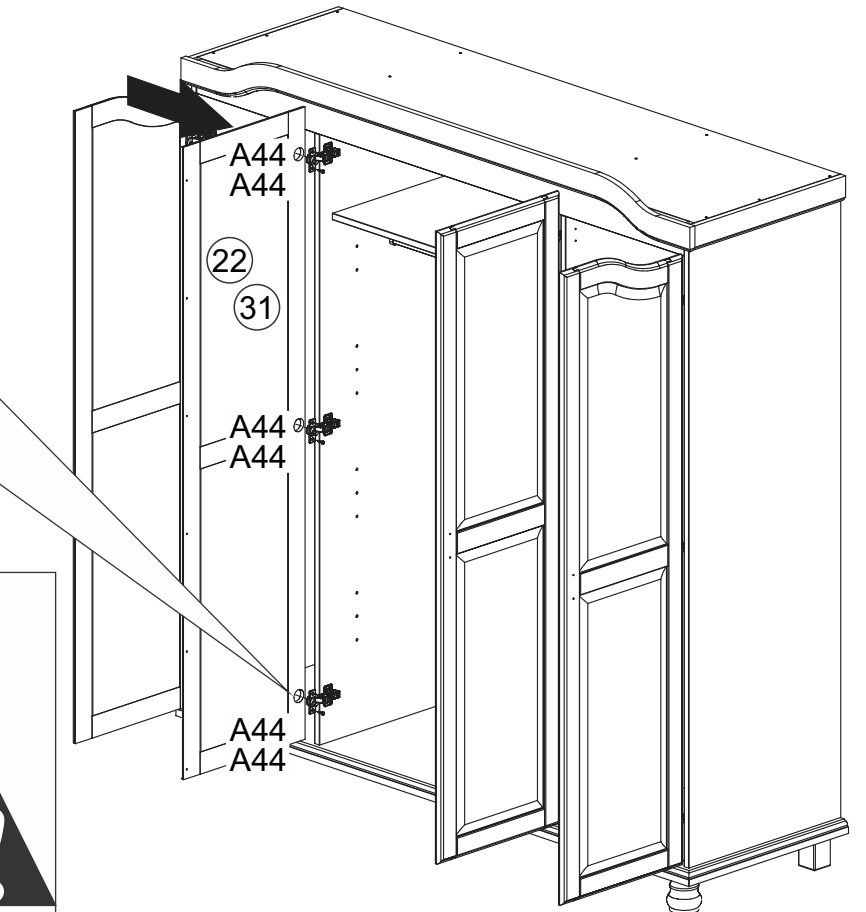
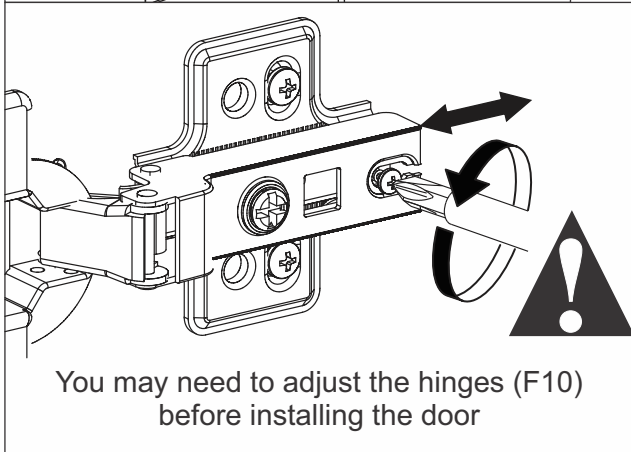
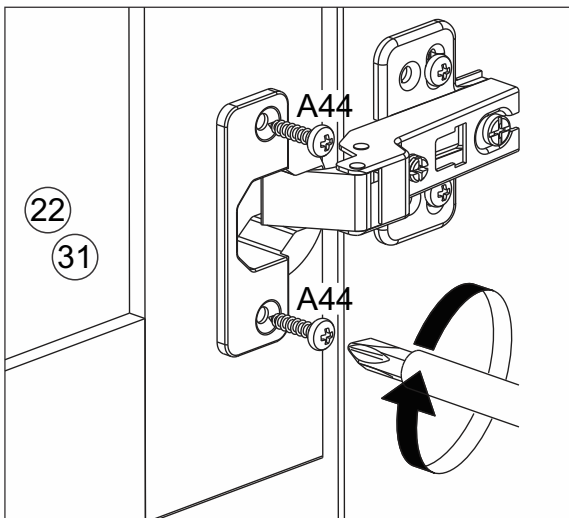


You may need to adjust the hinges (F10) before installing the door

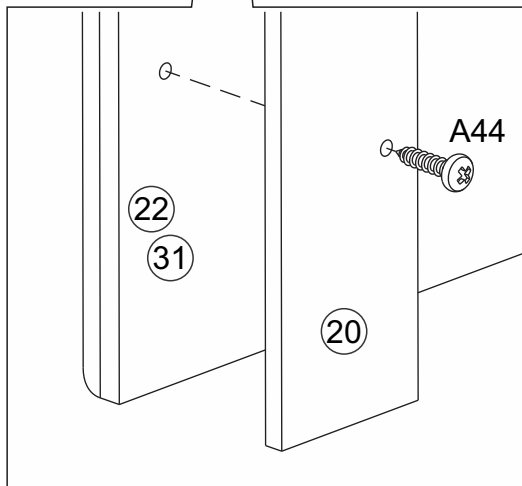
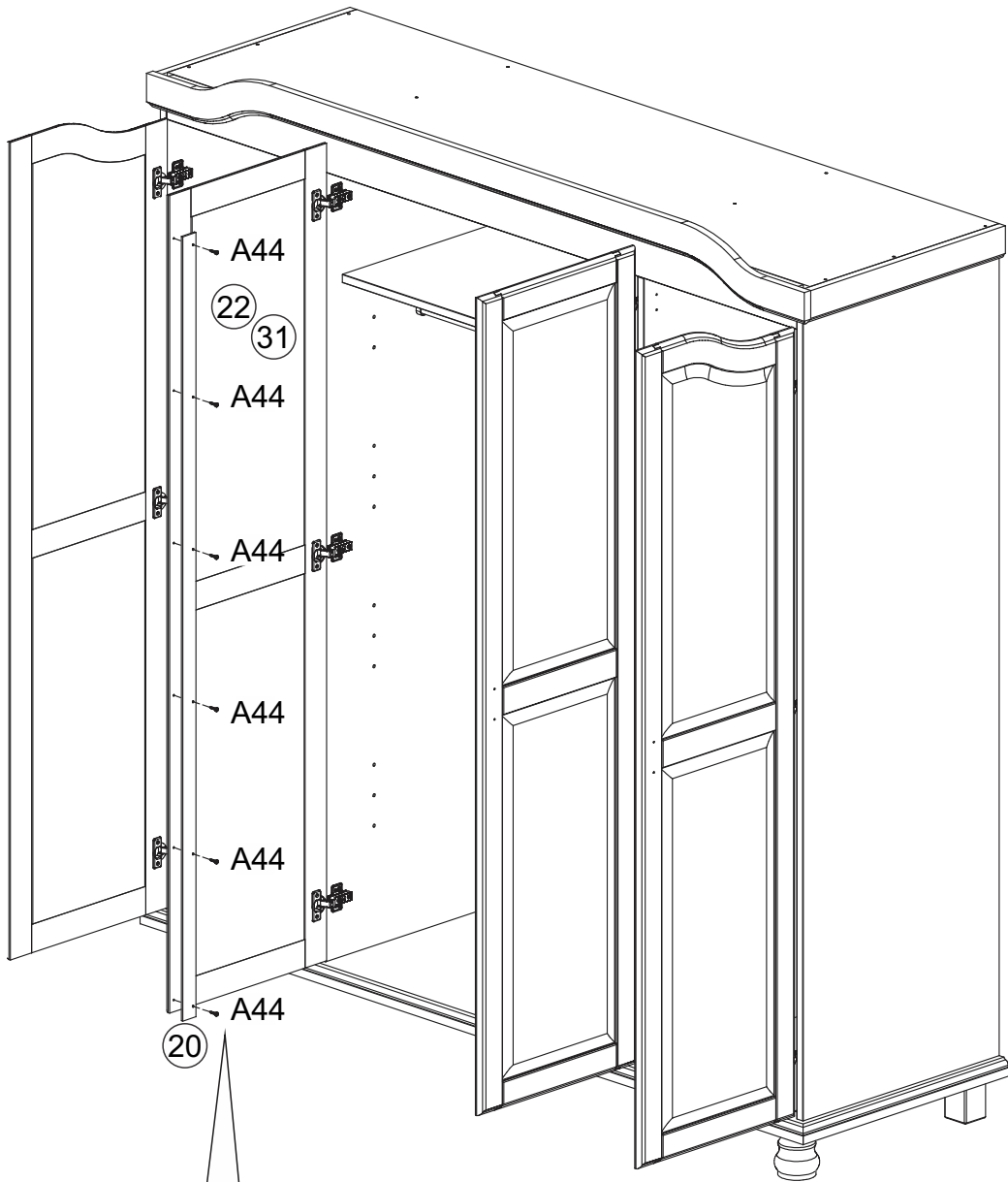
20)

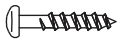


21)

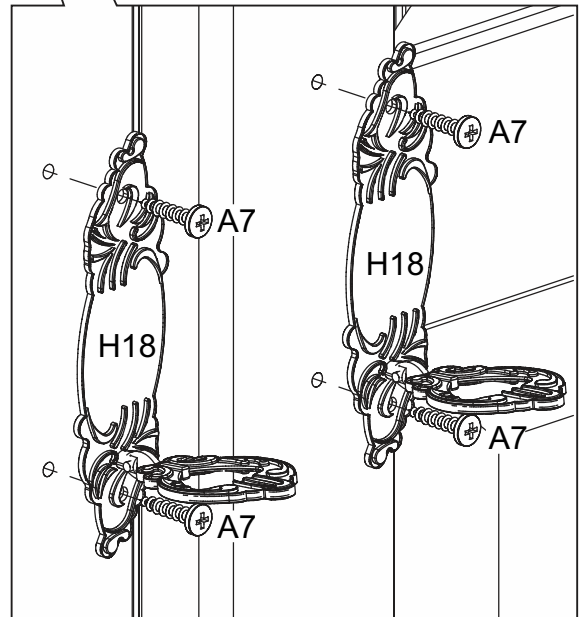
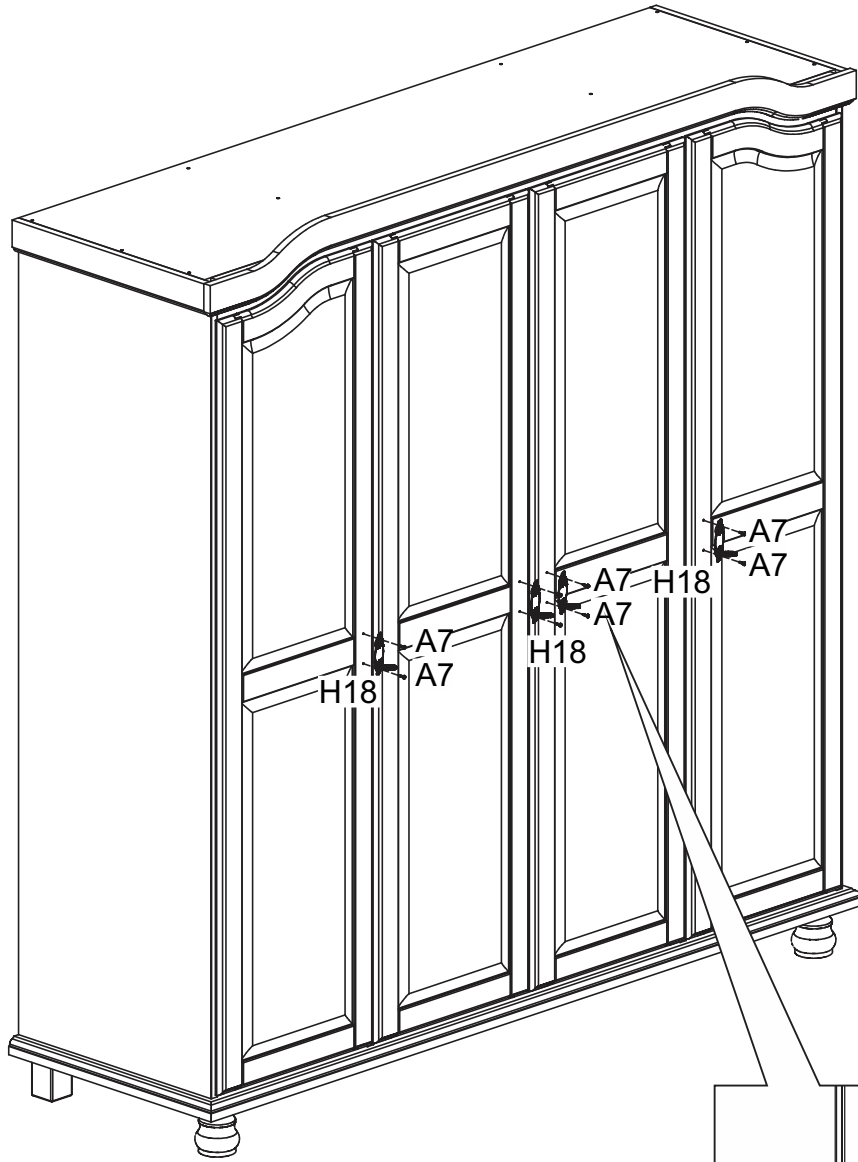




22)



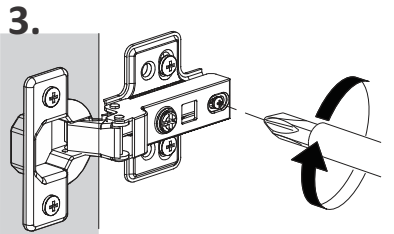
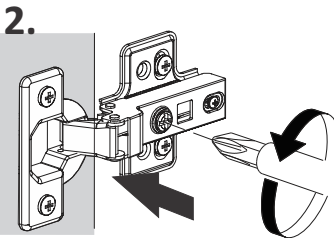
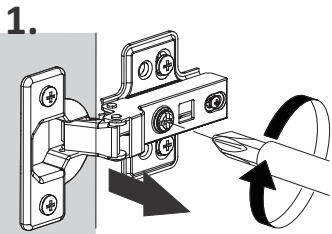
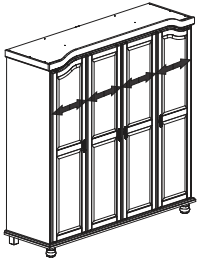
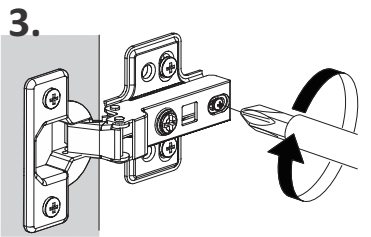
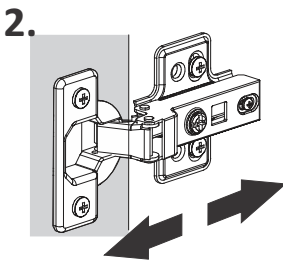
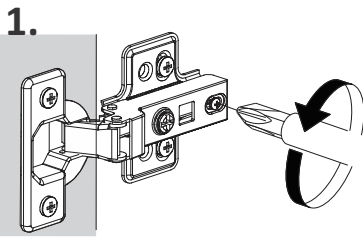
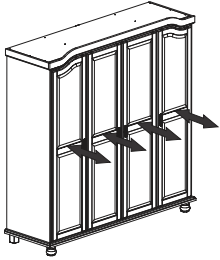
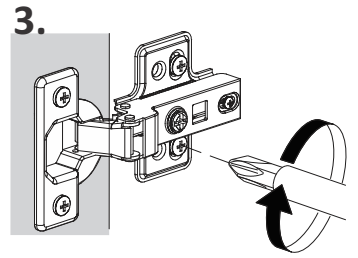
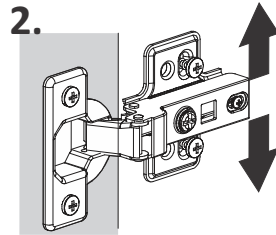
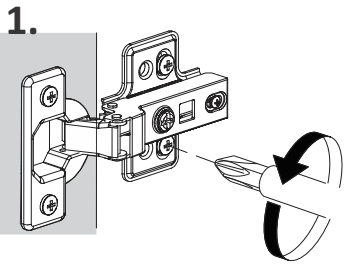
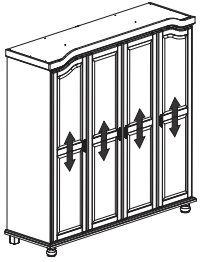
A44	 3,5x14	06
-----	---	----

23)

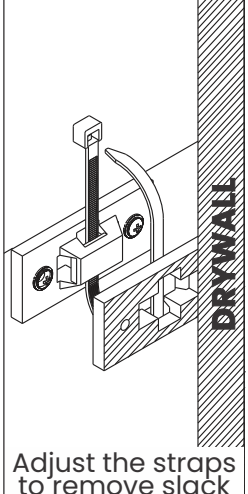
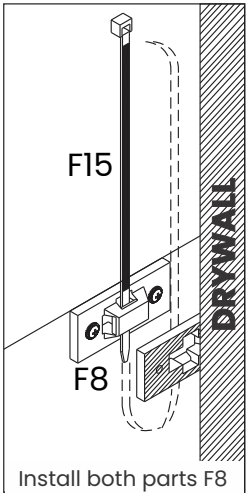
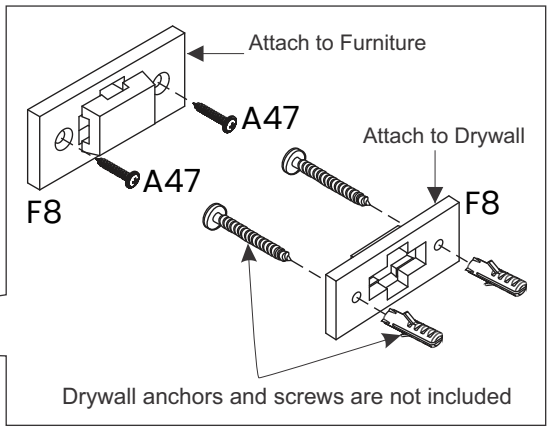
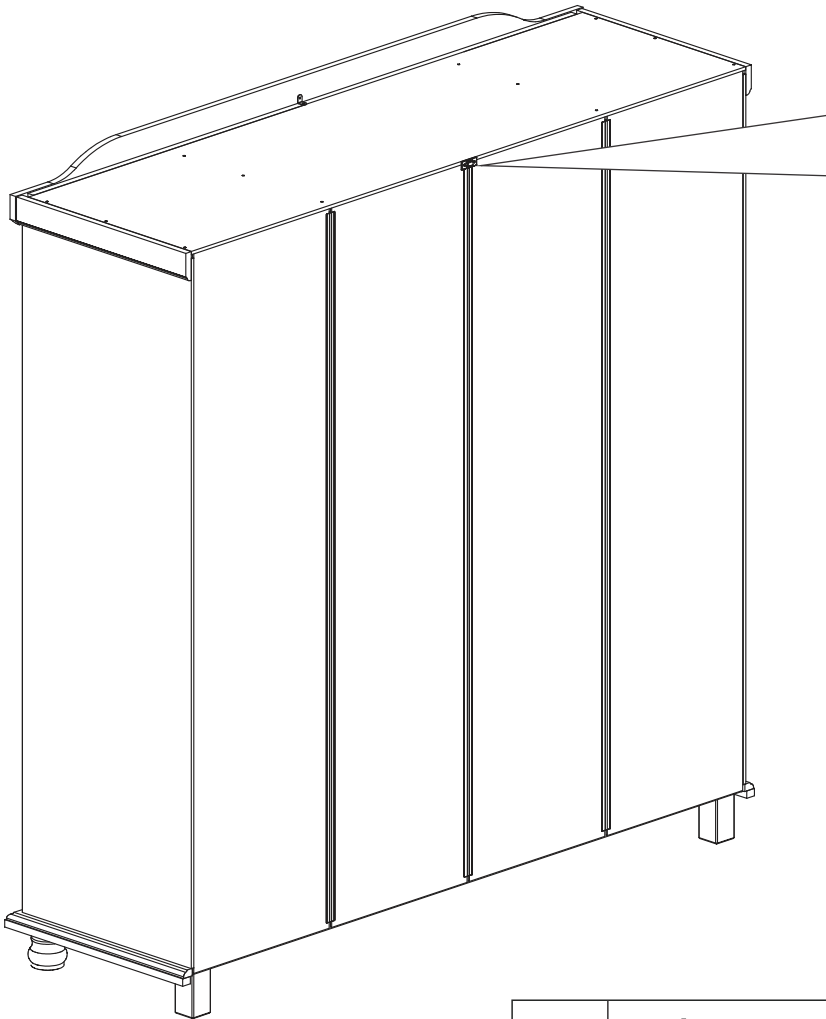
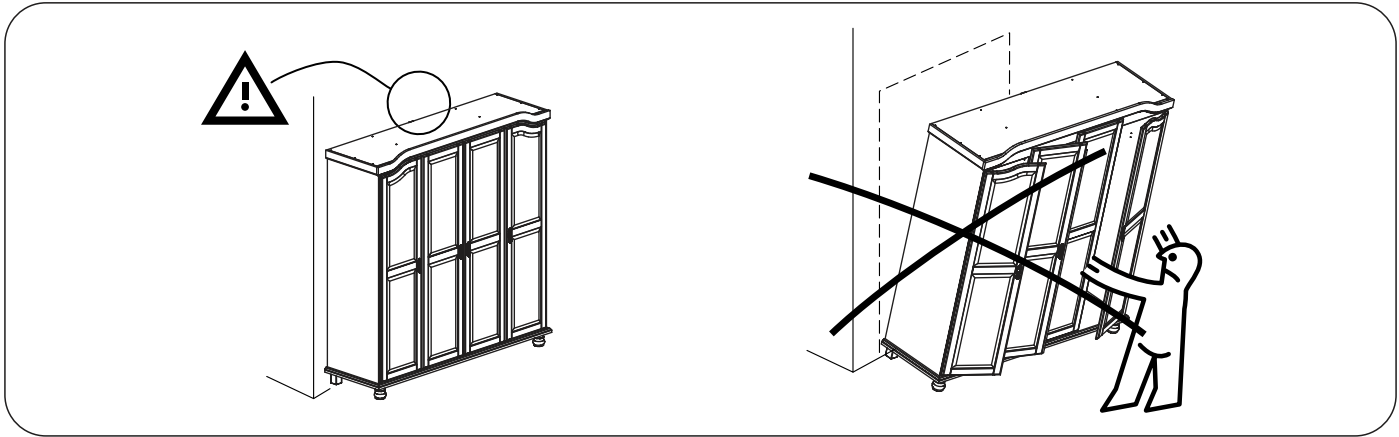


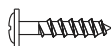
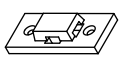

A7	 3.0x16	08
H18		04

24) HINGE ADJUSTMENT GUIDE.



25) Tip-over Restraint Kit Installation



A47	 3,0x20	2
F8		2
F15		1