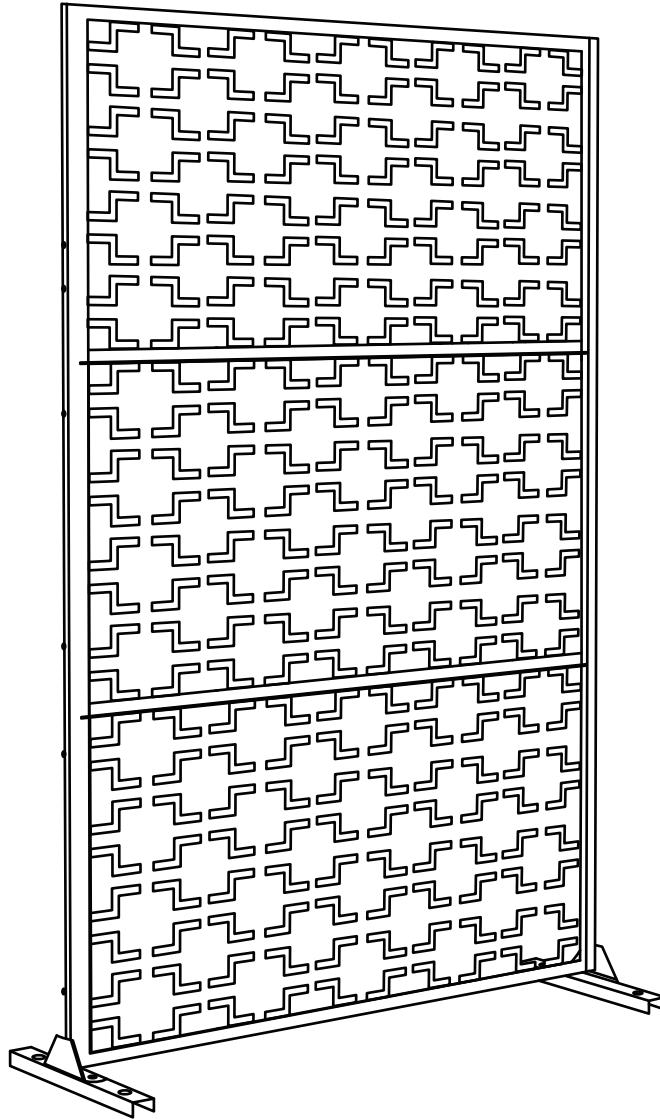


OUTDOOR PRIVACY SCREEN



After-sales mailbox:
Patiofurniture Serviceteam@outlook.com

NOTICE

Please keep these instructions for future reference.

Dear Customer

● Thank you for your purchase. When you receive the product, please make sure that all the parts are intact. Then follow the entire installation instructions to install!

● When you encounter the following issues :

A . The outer box is damaged

B . The product is damaged / bent / cracked while you open the box

C . The parts / accessories / assembly tools are missing

D . The instructions are not clear and can not be referred

E . The product has functional problems

F . Other aspects that you are not satisfied with

Please feel free to contact us for help. Our after-sales team service

(Patiofurniture Serviceteam@outlook.com) will reply within 24 hours and will do our best to resolve the problem for you.

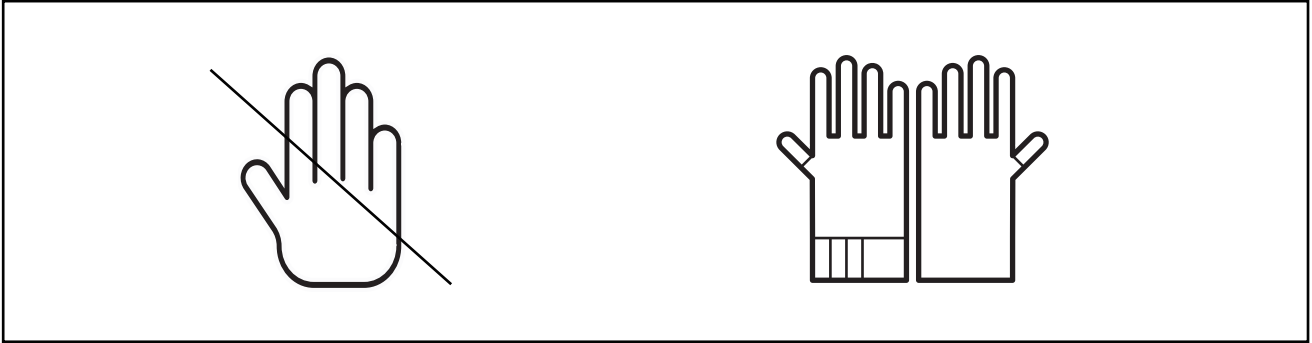




If the privacy screen will be used in a strong wind area, we highly recommend you using four Hex-Head Sleeve Anchors to fix the privacy screen on solid ground.

Before assembling, we recommend:

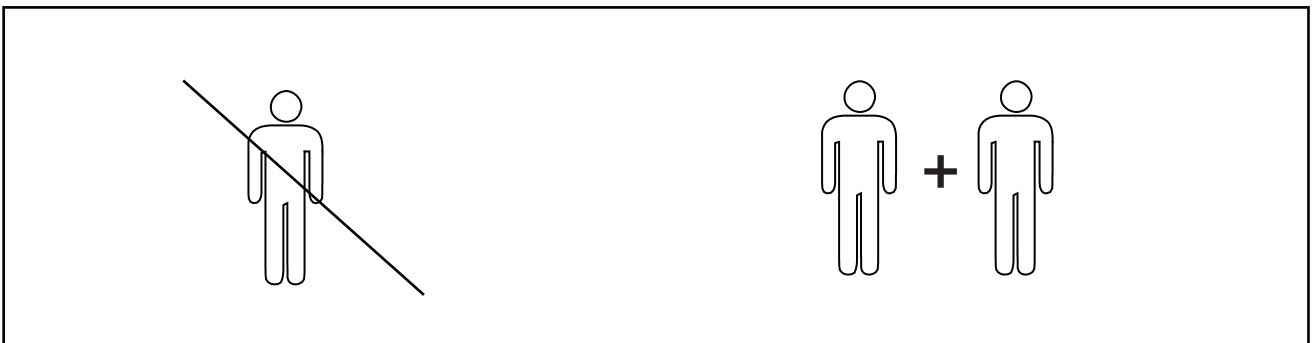
1. Wear Gloves.



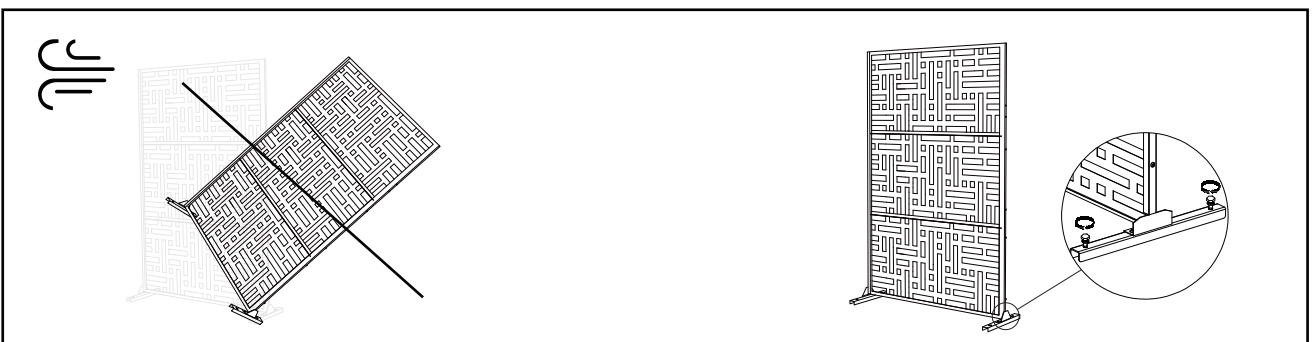
2. Don't assemble the privacy screen on a Hard Surface.



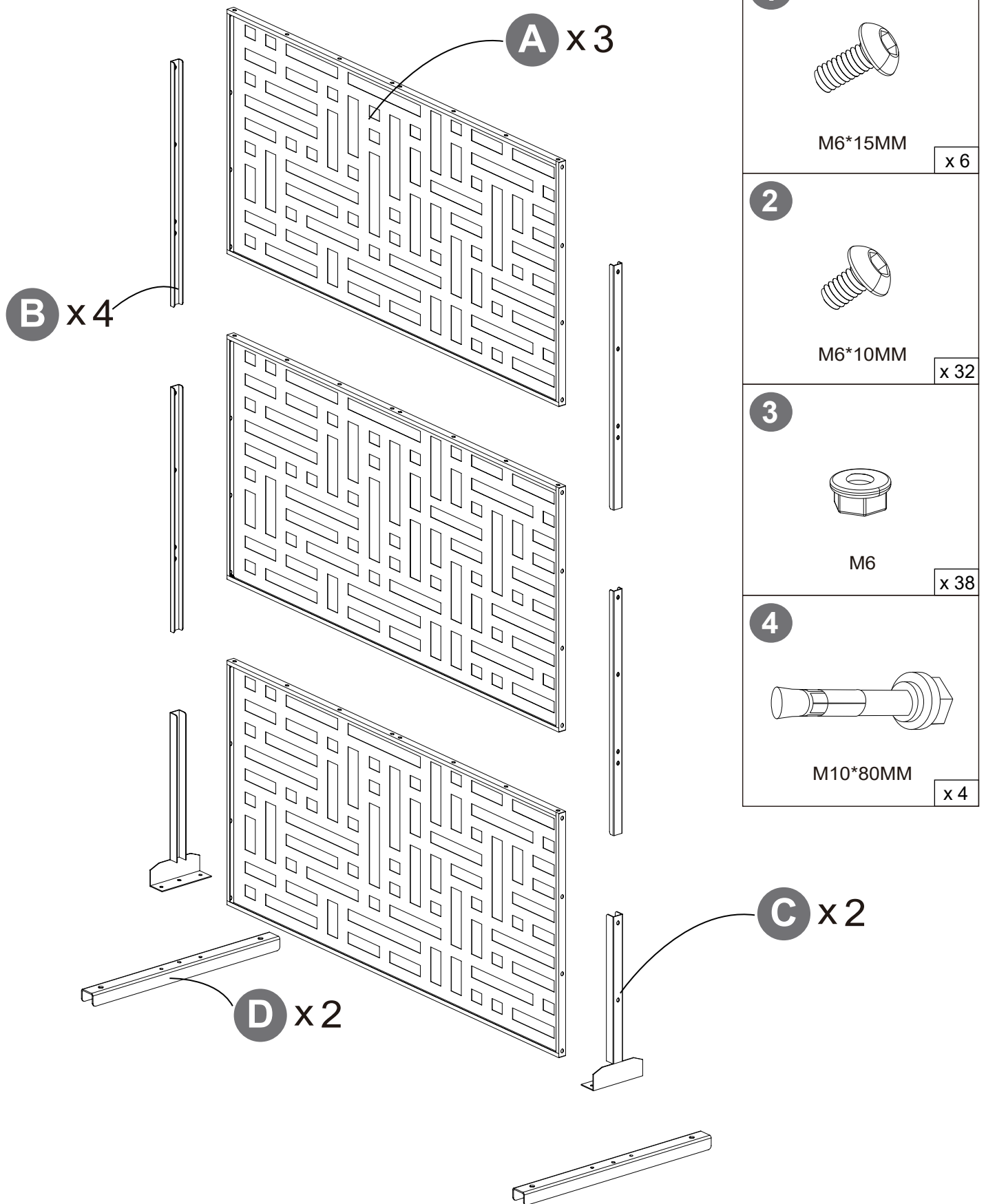
3. Ask for a Helping Hand.



4. Use Hex-Head Sleeve Anchors to fix the privacy screen on solid ground.



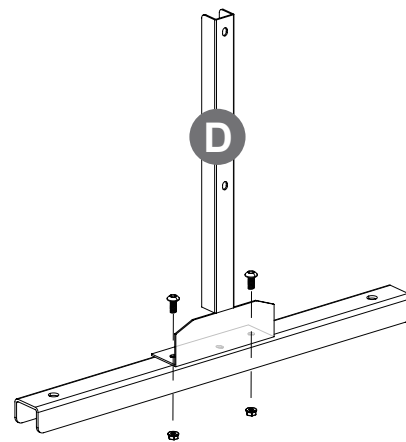
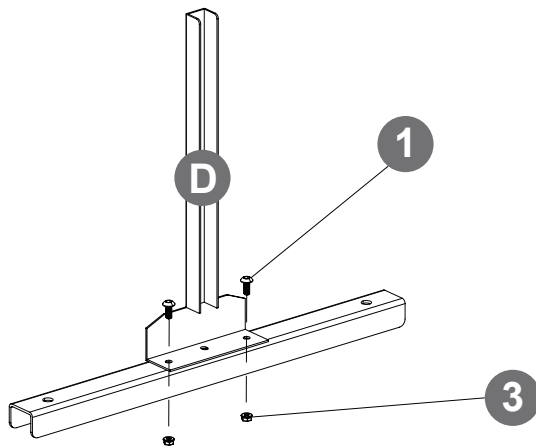
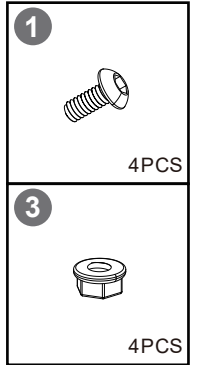
PART LIST



STEP

1

Installation Type 1



STEP

2

2

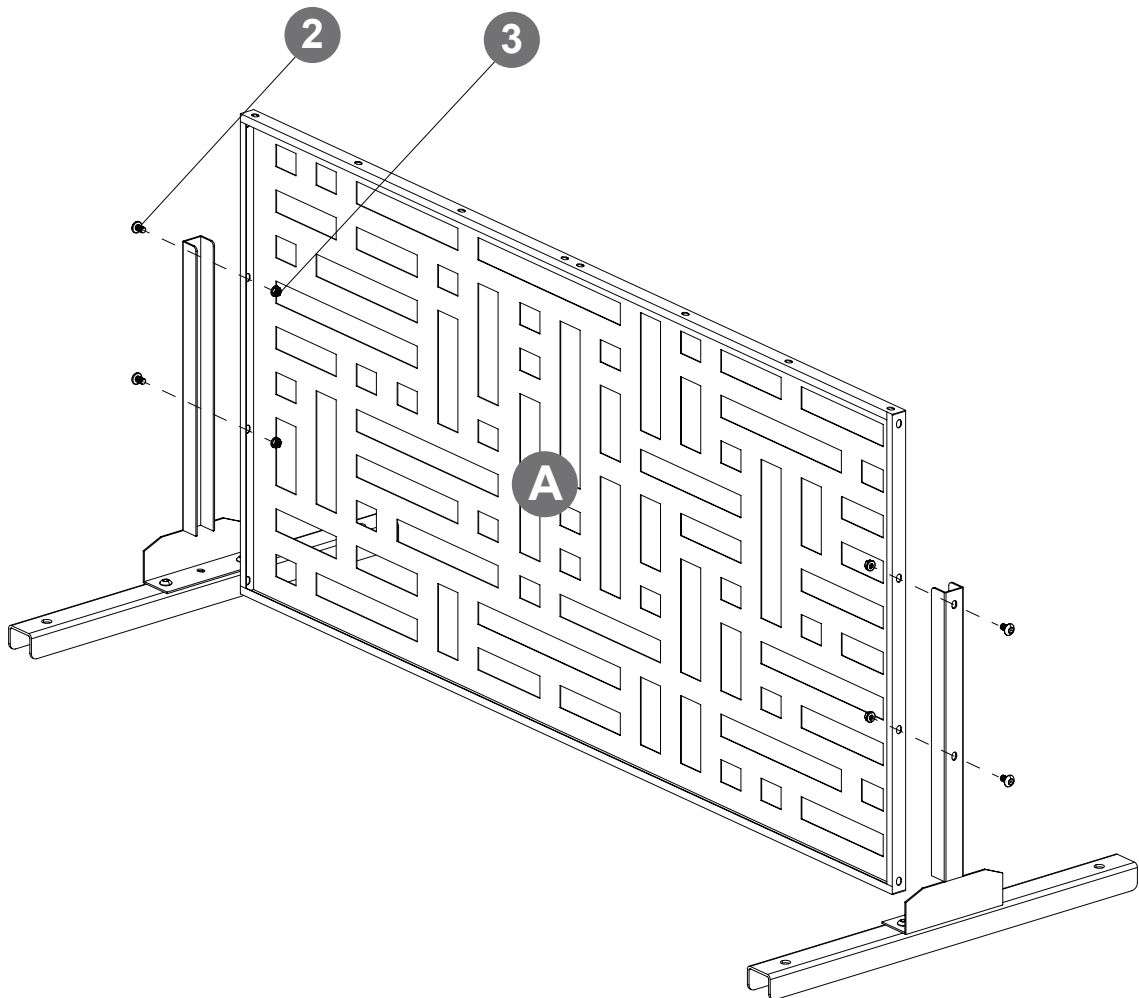


4PCS

3

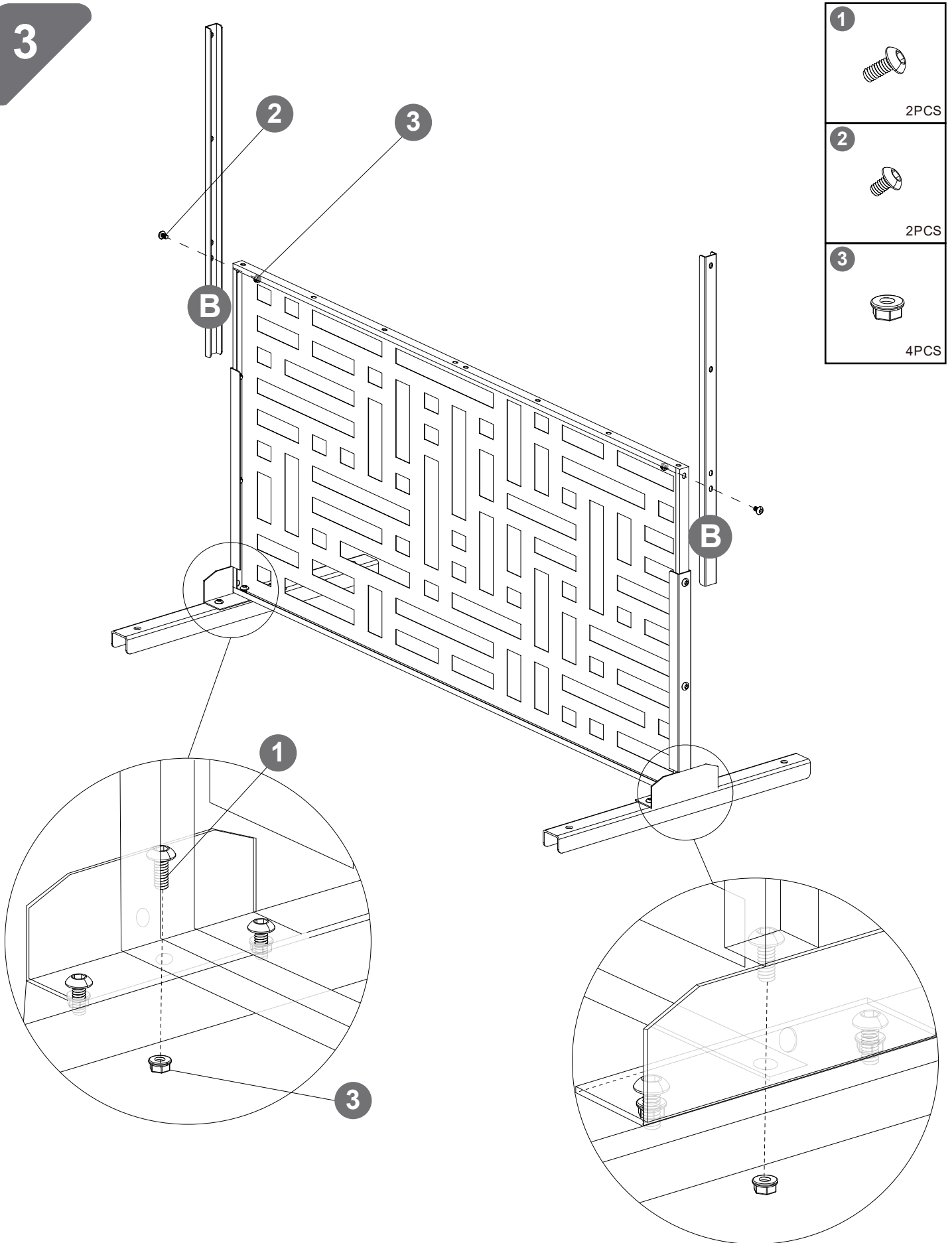


4PCS



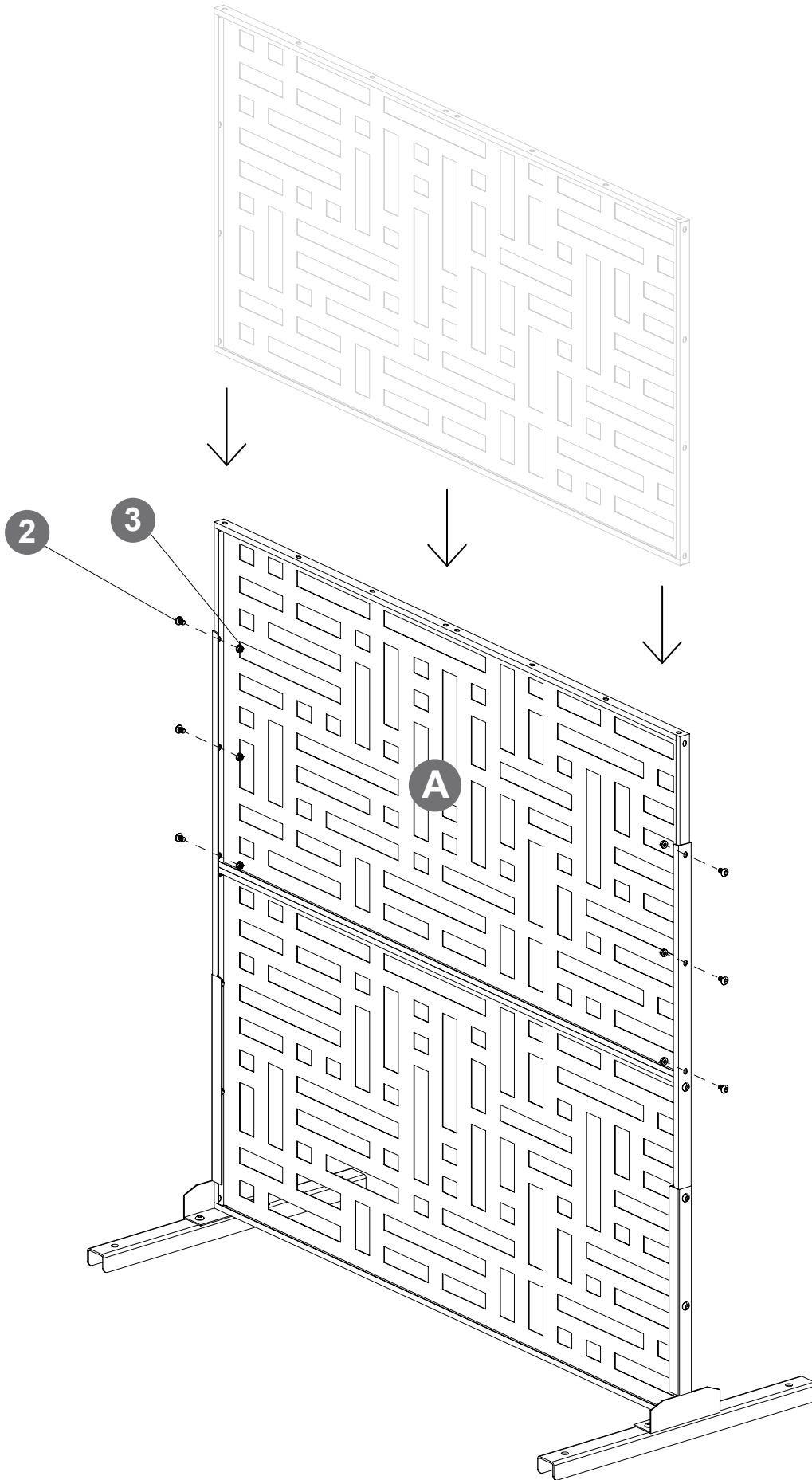
STEP

3



STEP

4



2



6PCS

3

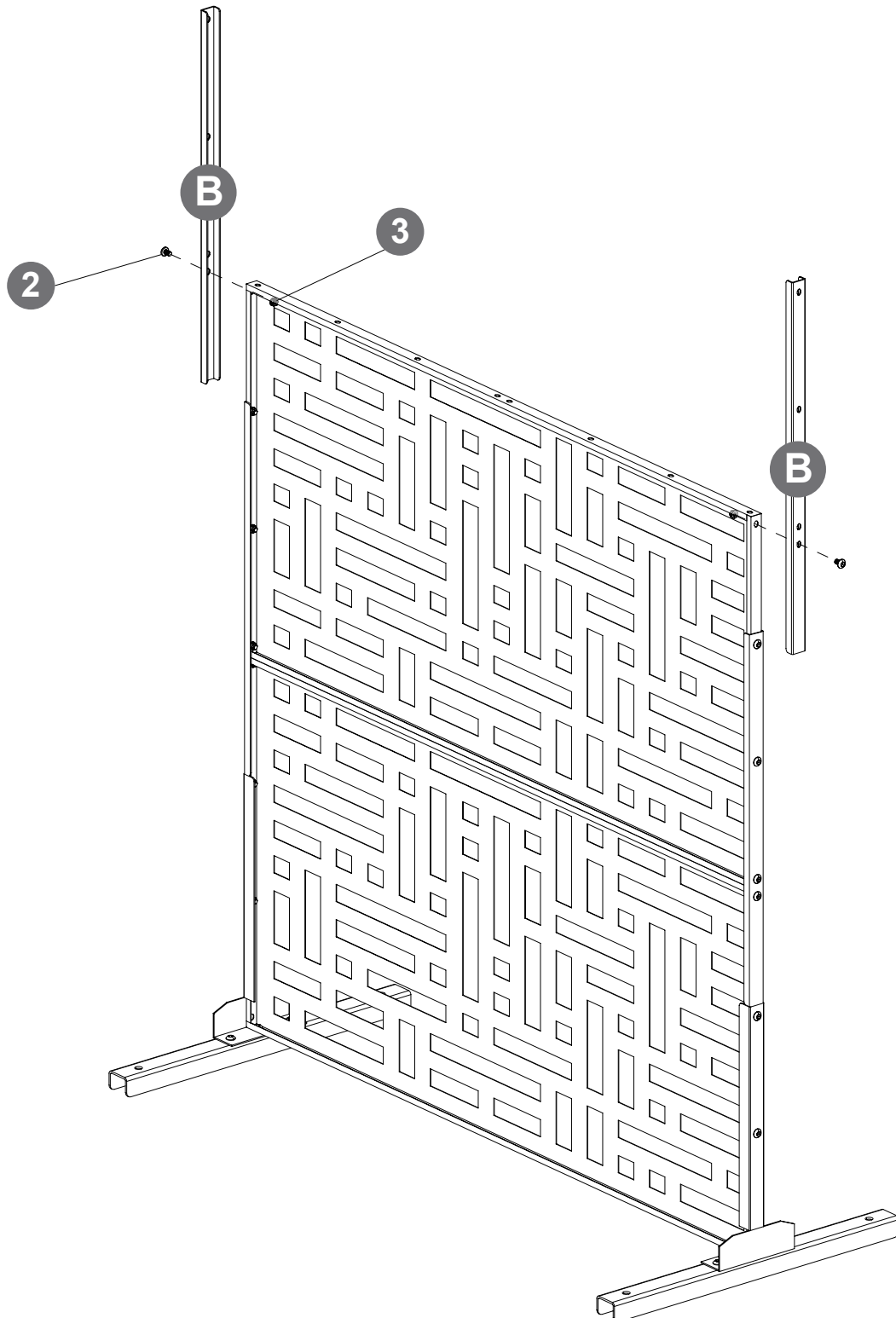
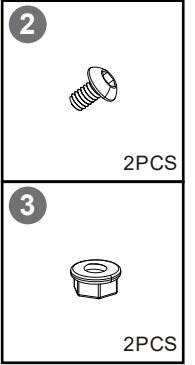


6PCS

7

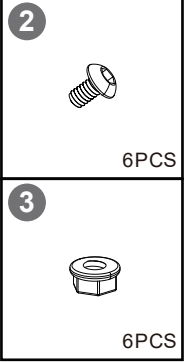
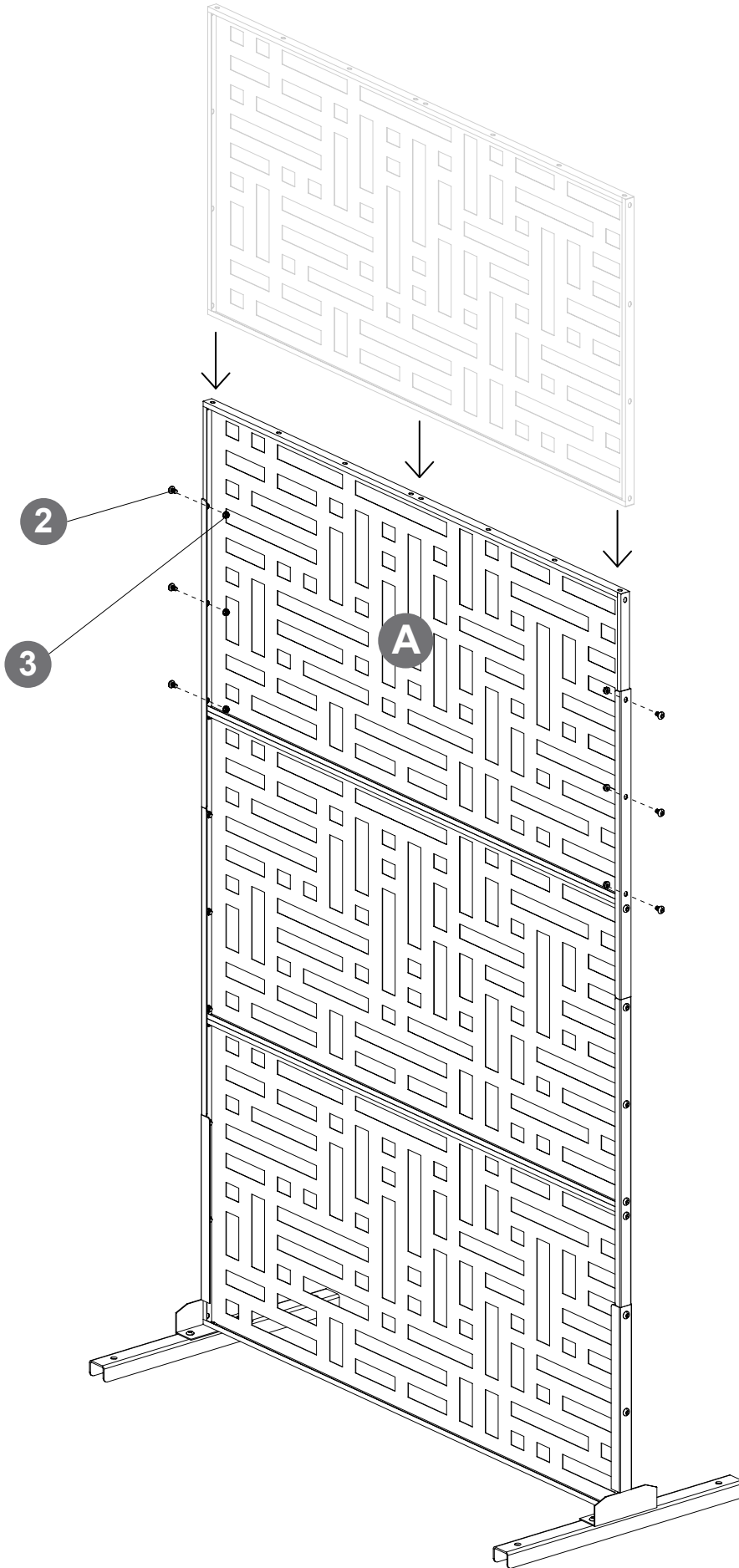
STEP

5



STEP

6

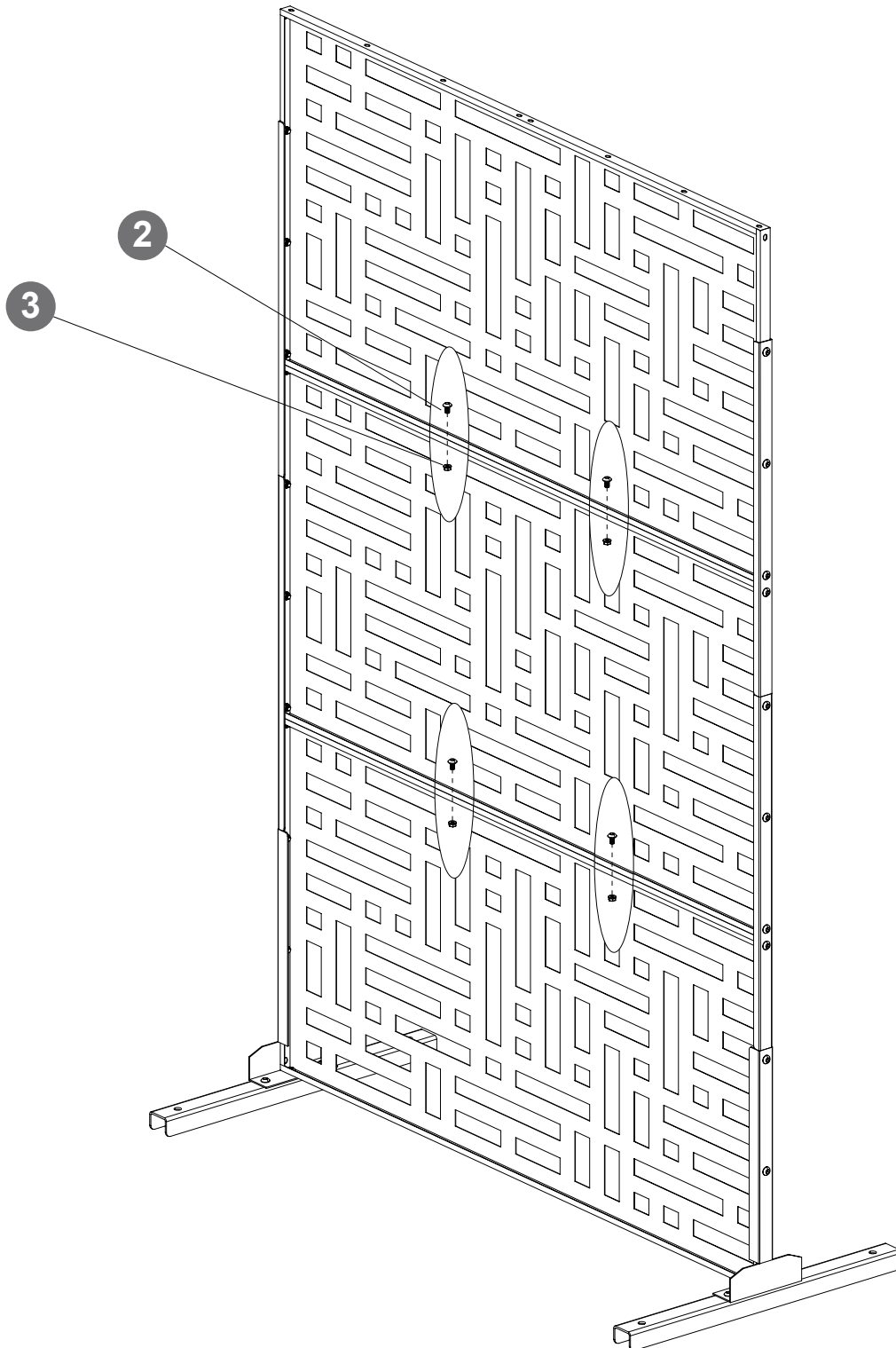
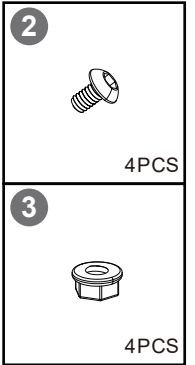


9

STEP

7

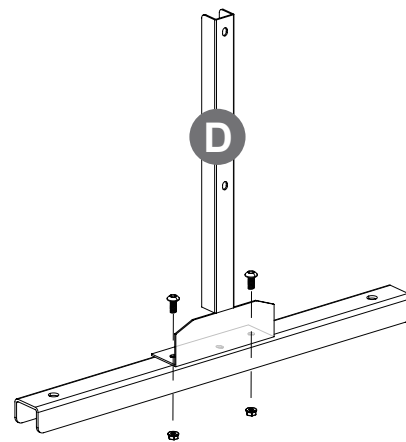
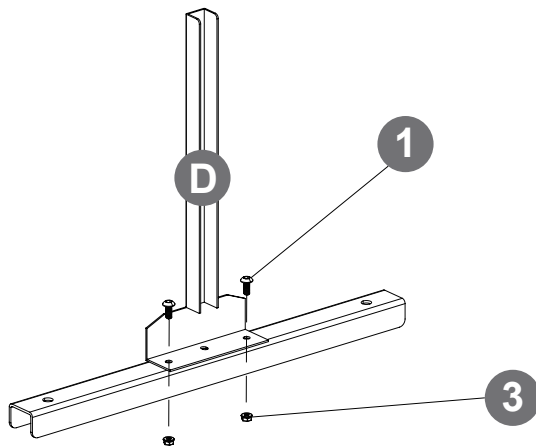
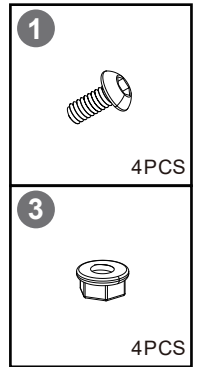
The purpose of the holes without screws between the privacy screen panels is for drainage.



STEP

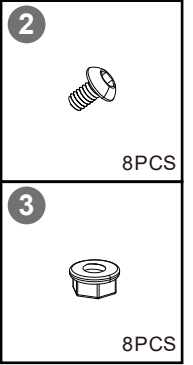
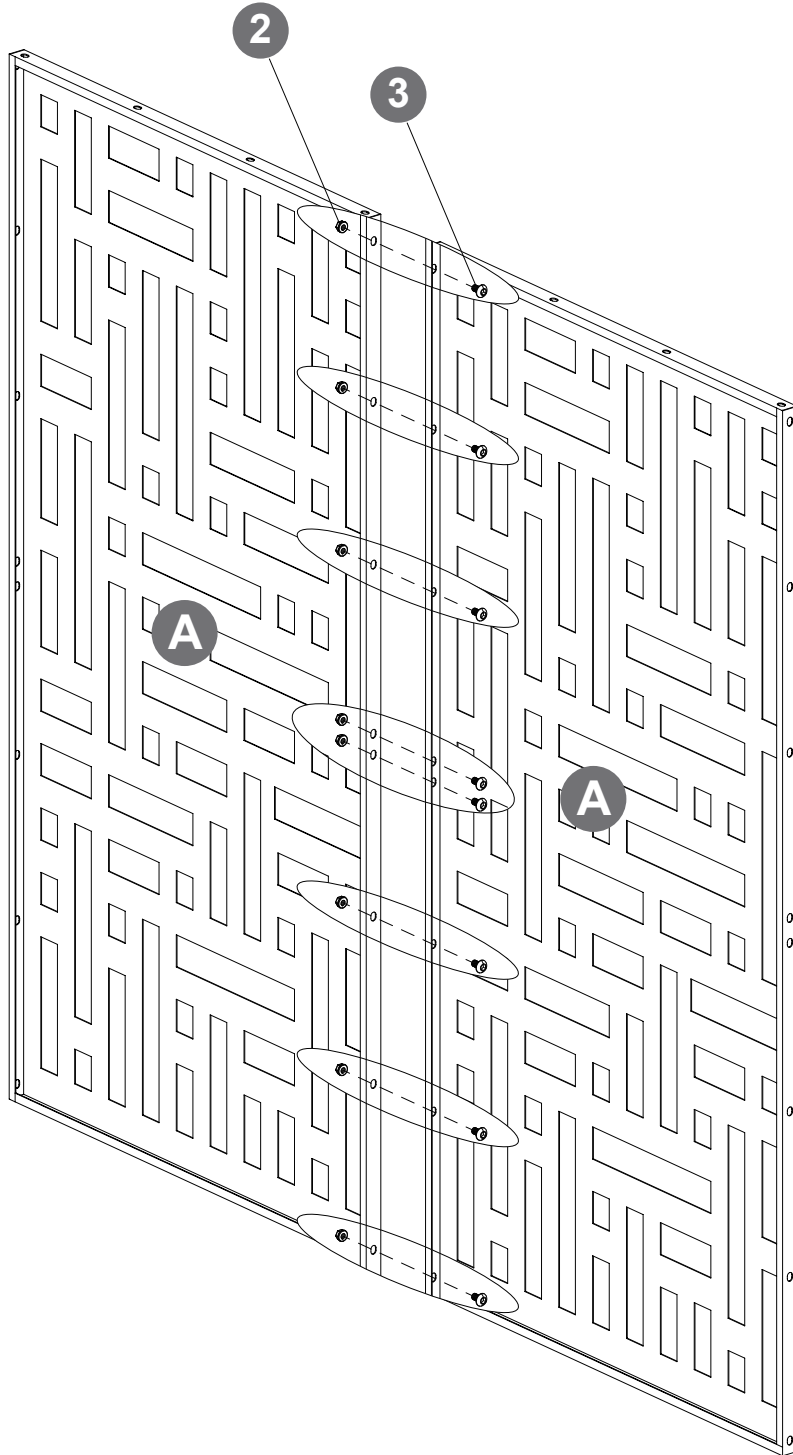
1

Installation Type 2



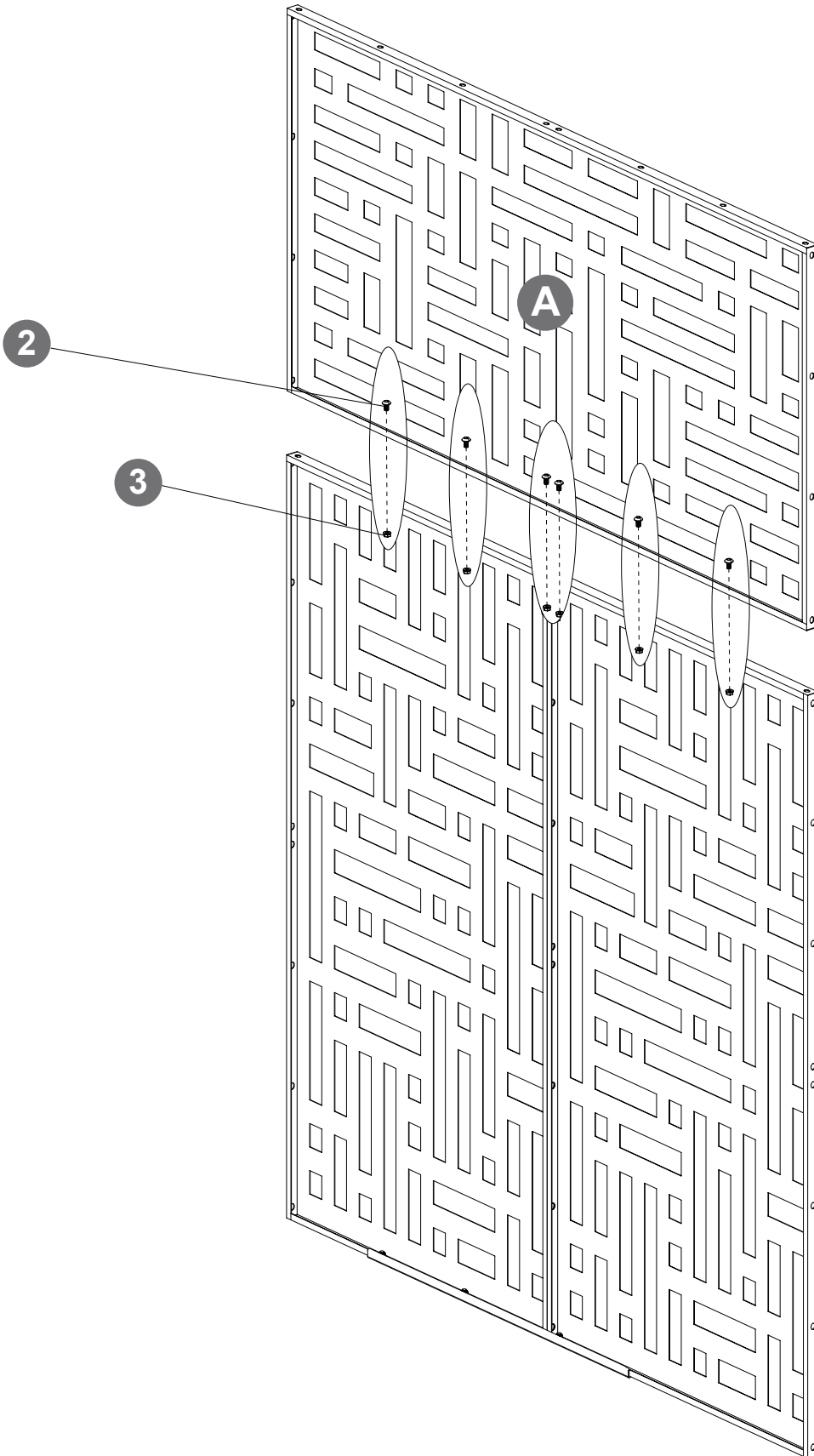
STEP

2



STEP

3



2



6PCS

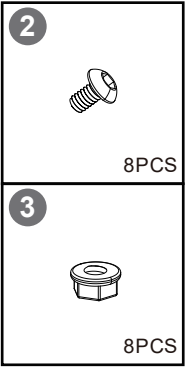
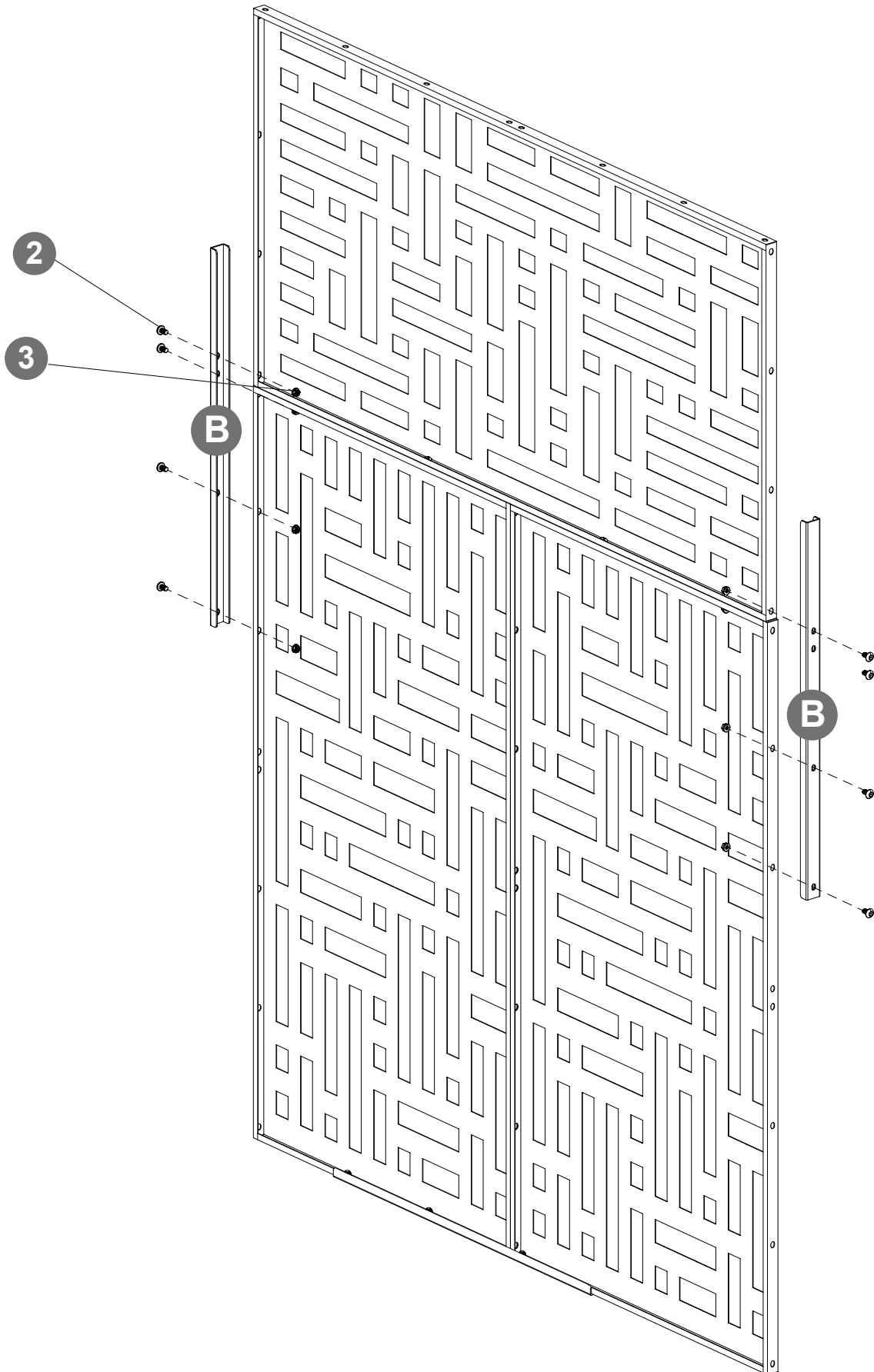
3



6PCS

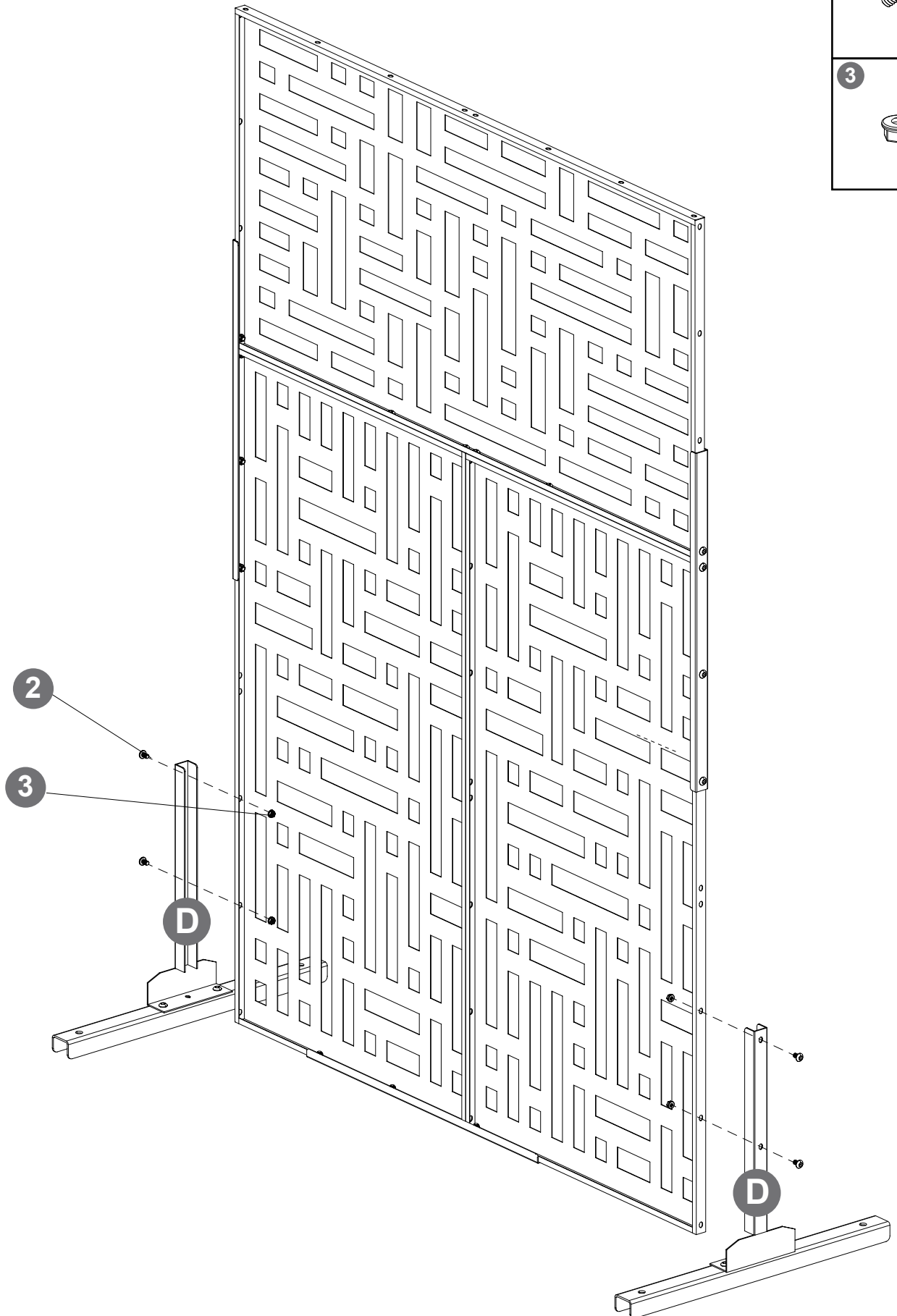
STEP



4



STEP

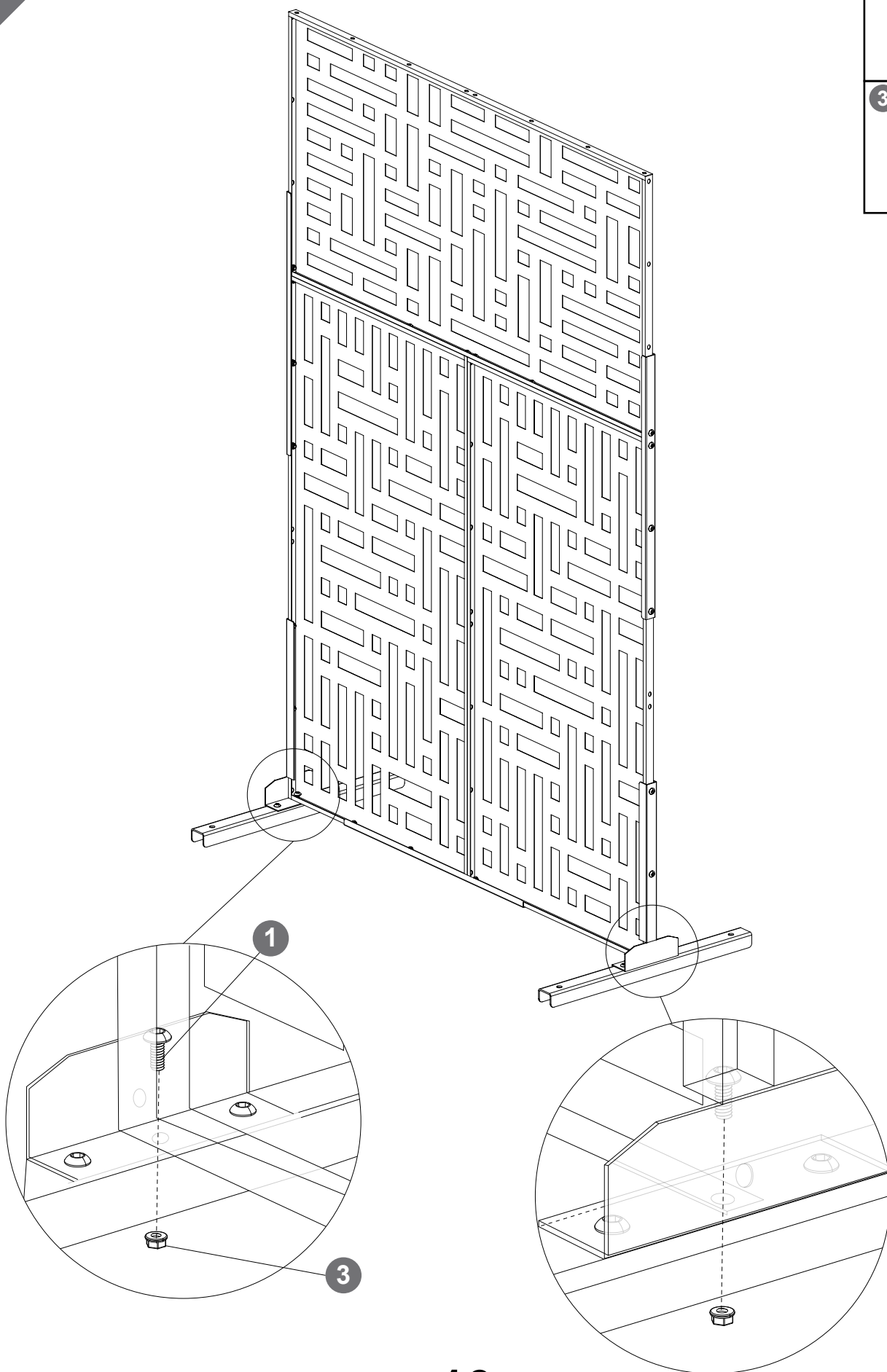
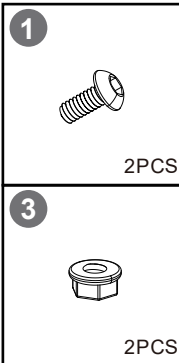
5



- 2

4PCS
- 3

4PCS

STEP

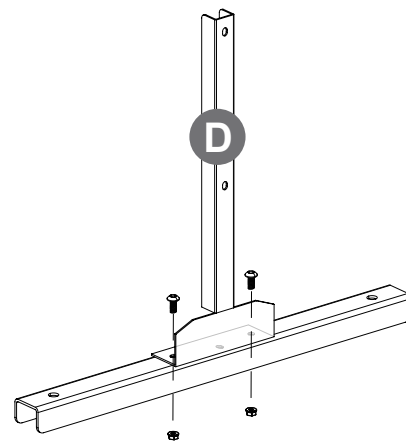
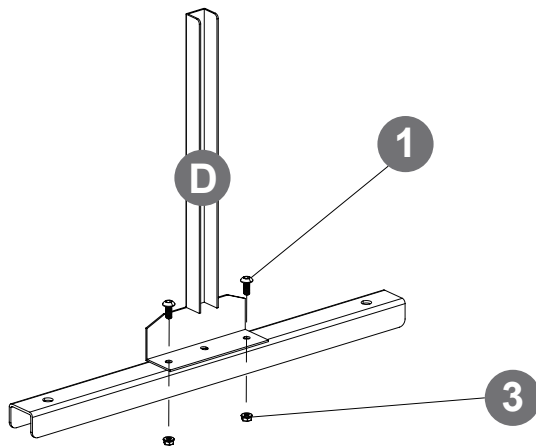
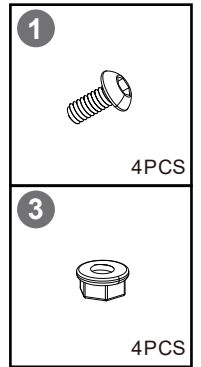
6



STEP



1

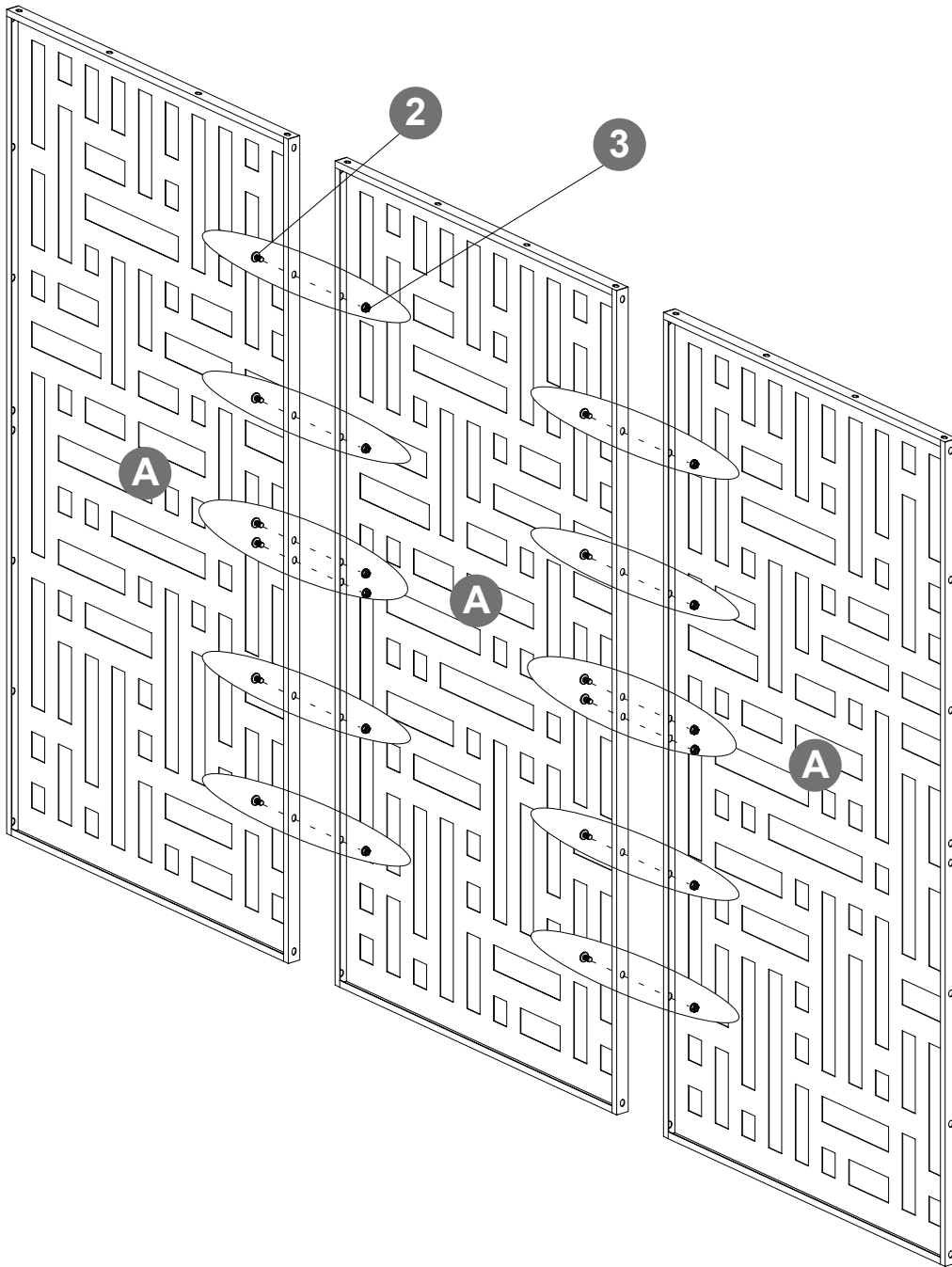
Installation Type 3



STEP

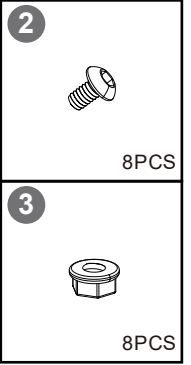
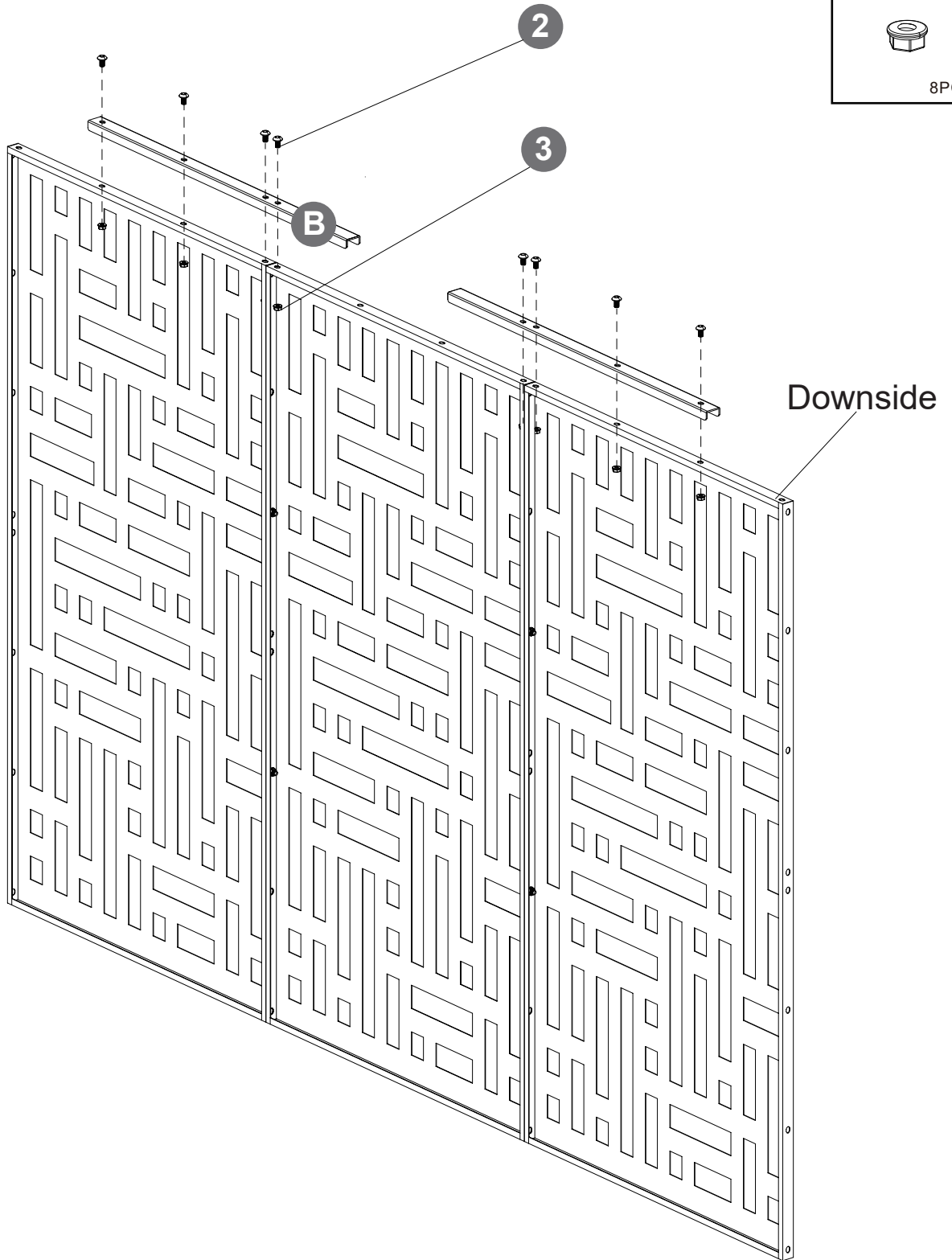
2

2		12PCS
3		12PCS



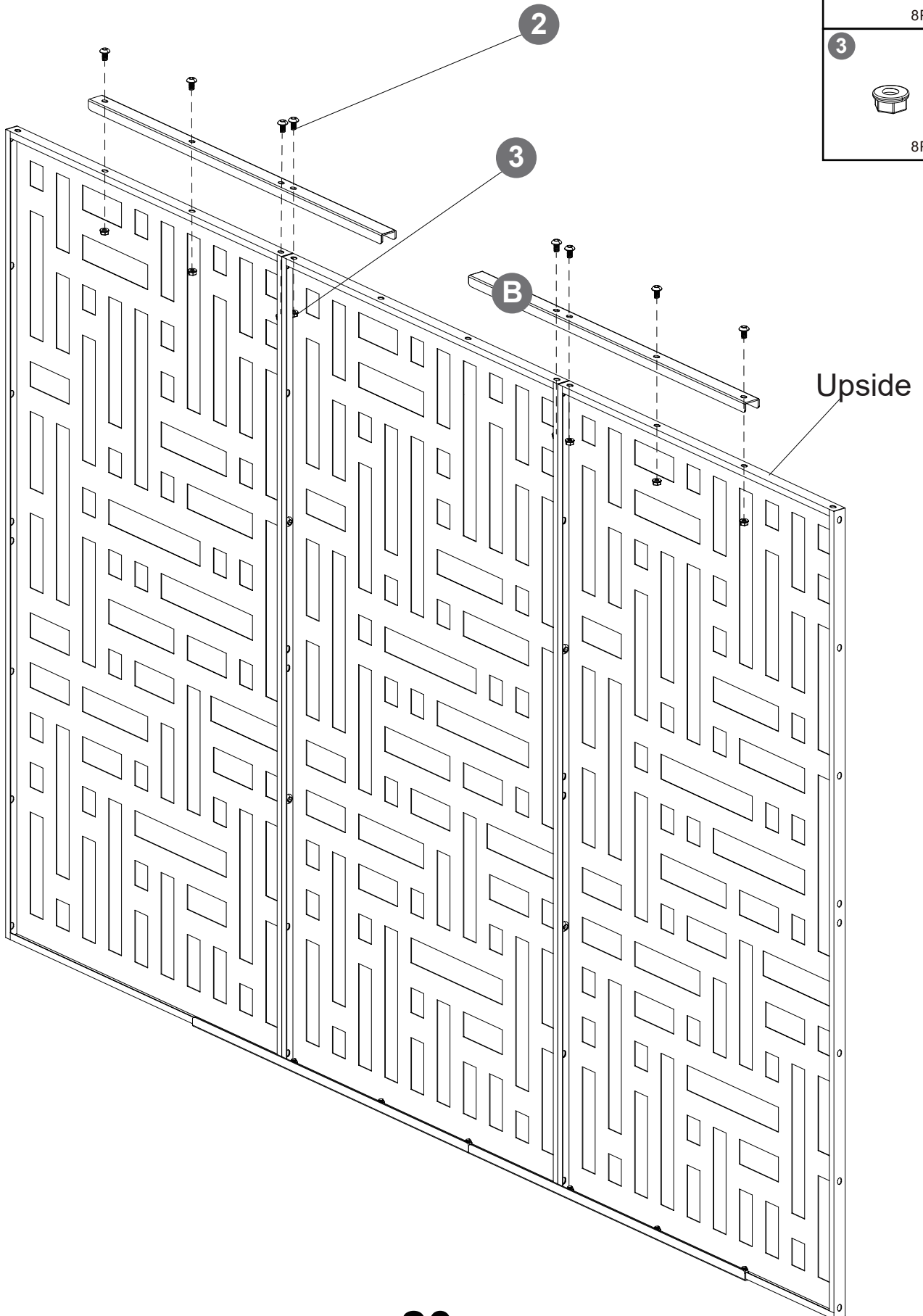
STEP

3



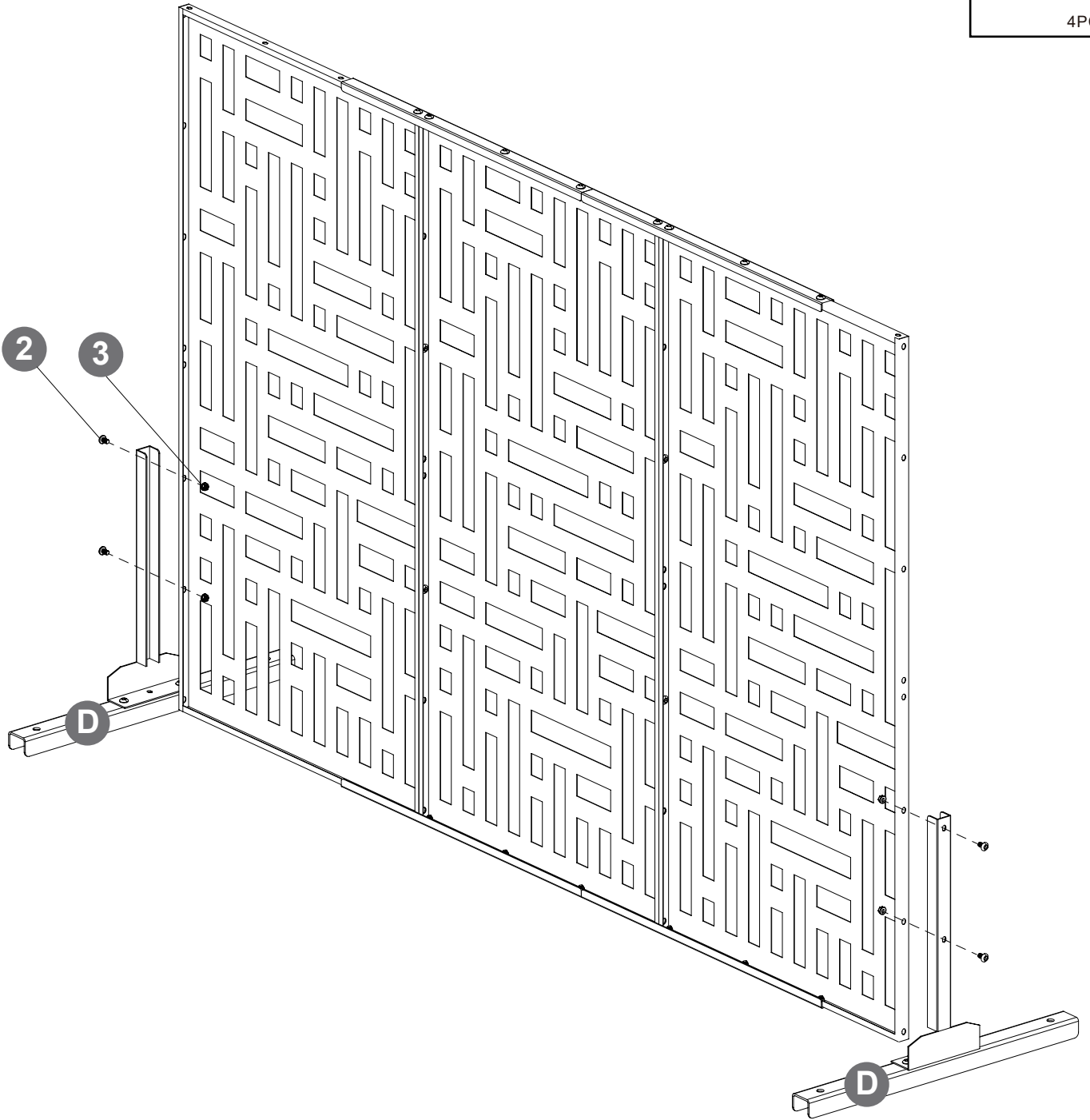
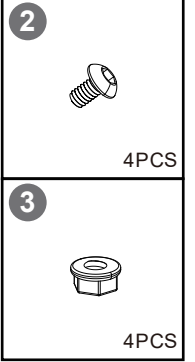
STEP

4



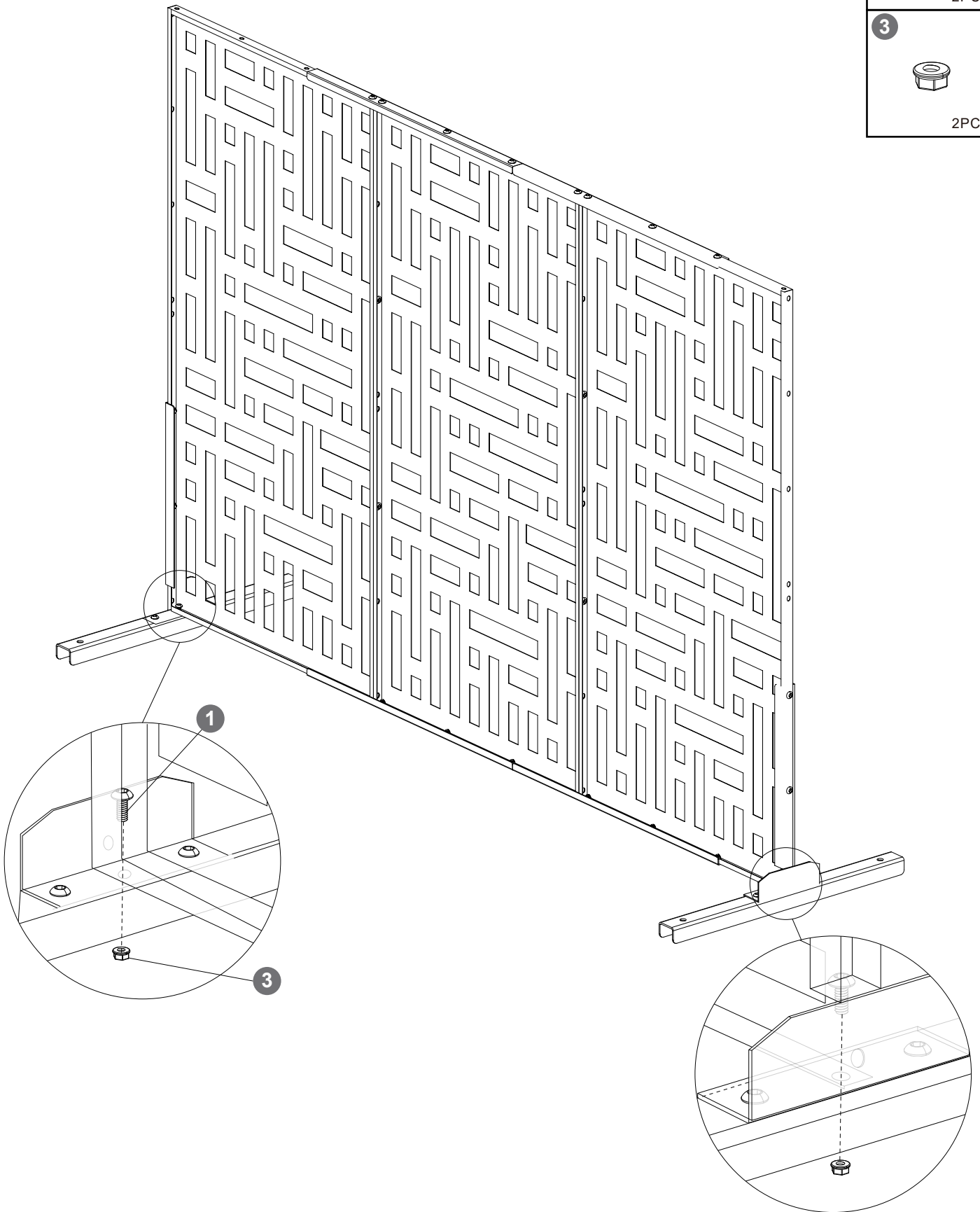
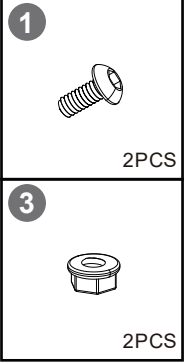
STEP

5



STEP

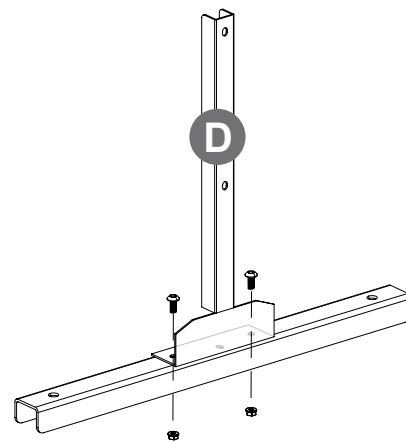
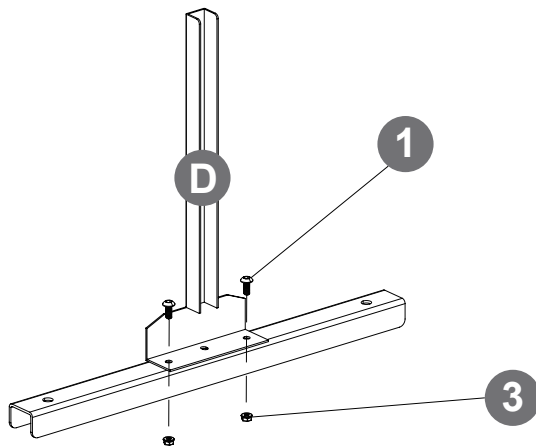
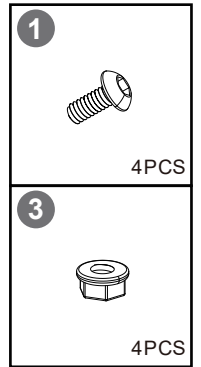
6



STEP

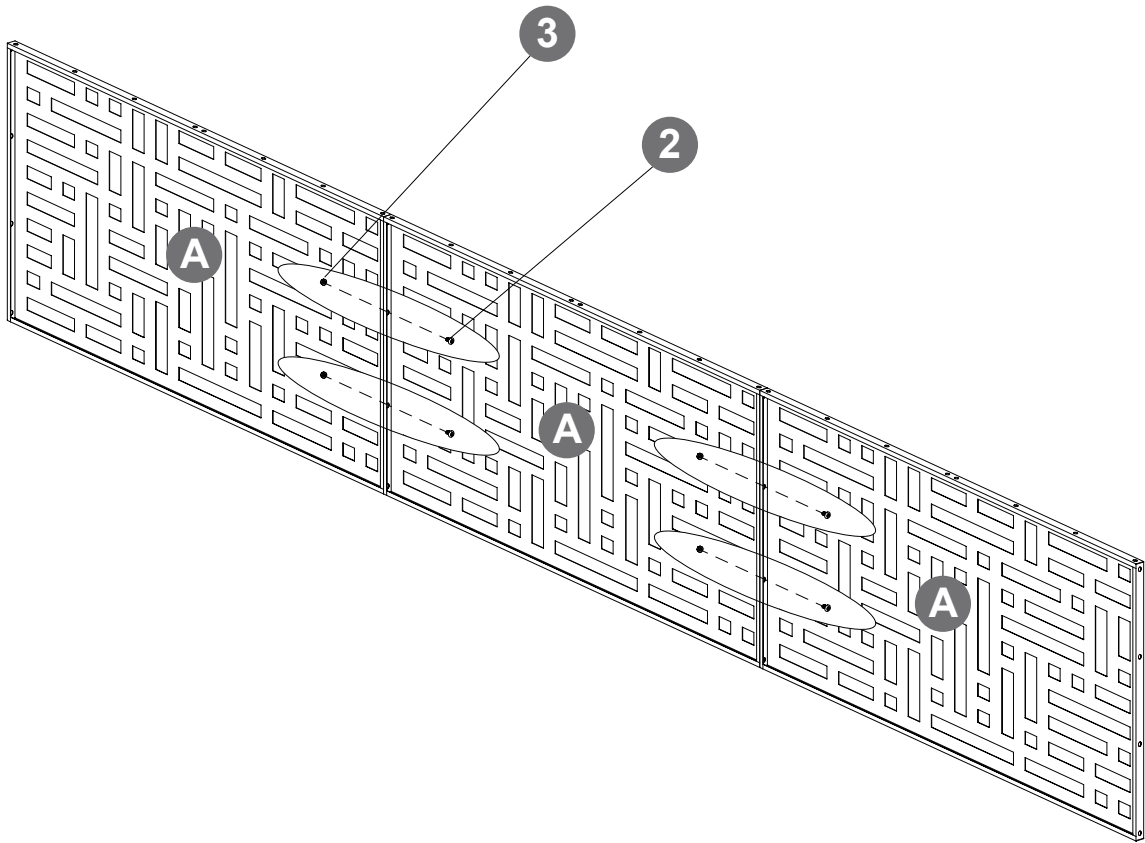
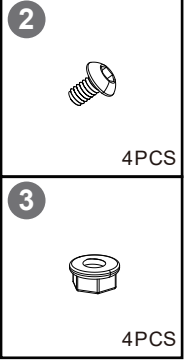
1

Installation Type 4



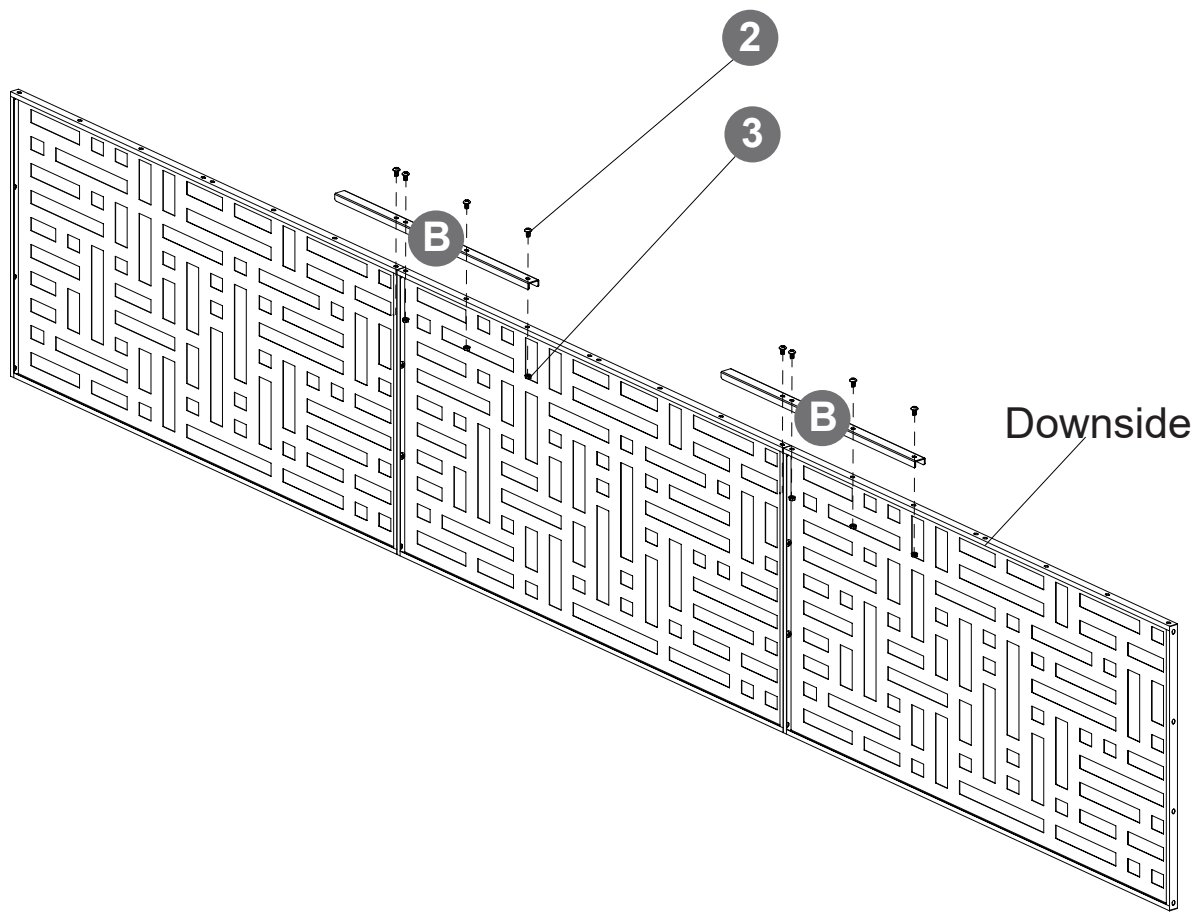
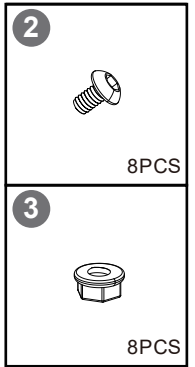
STEP

2



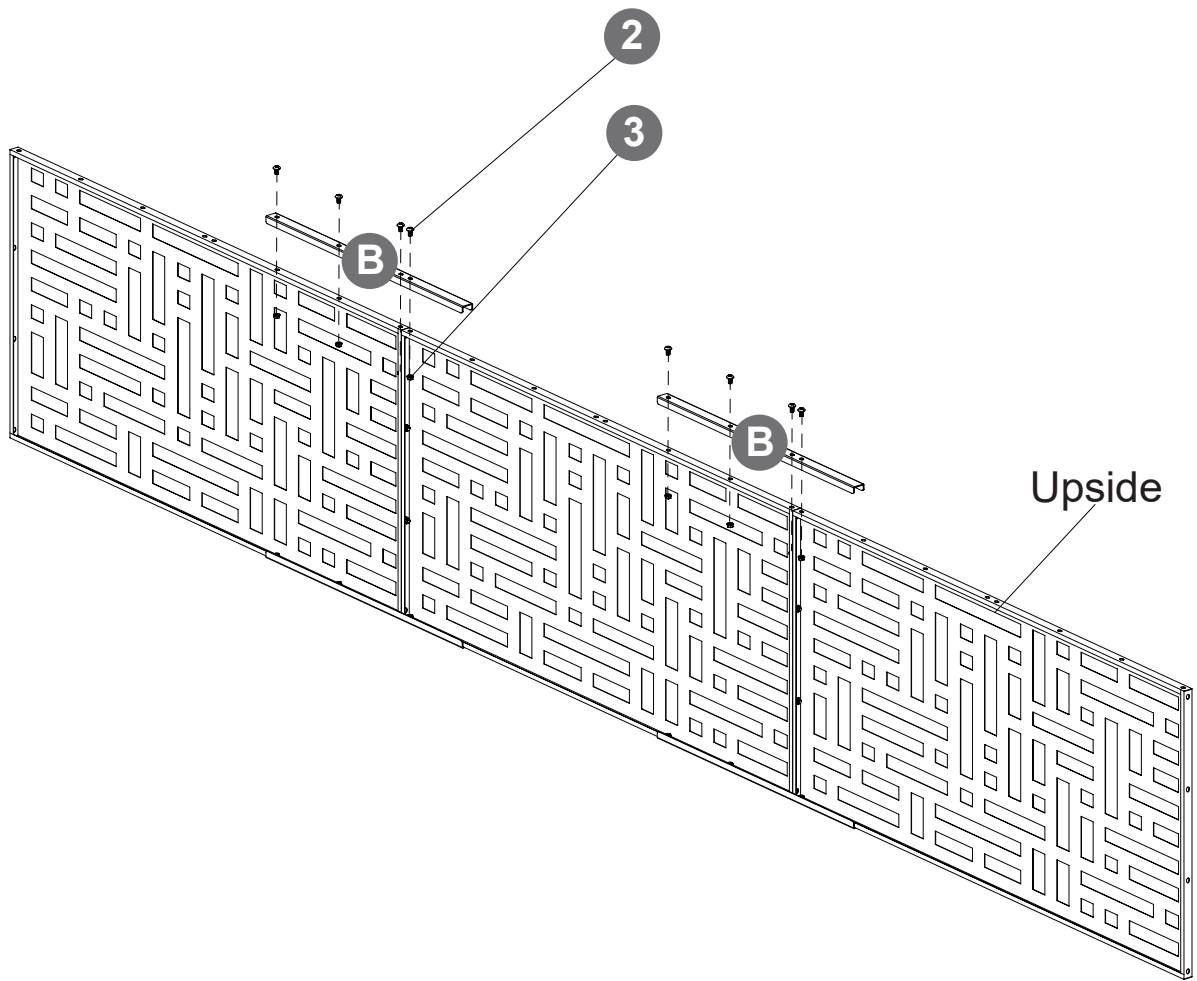
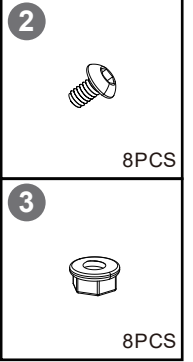
STEP

3



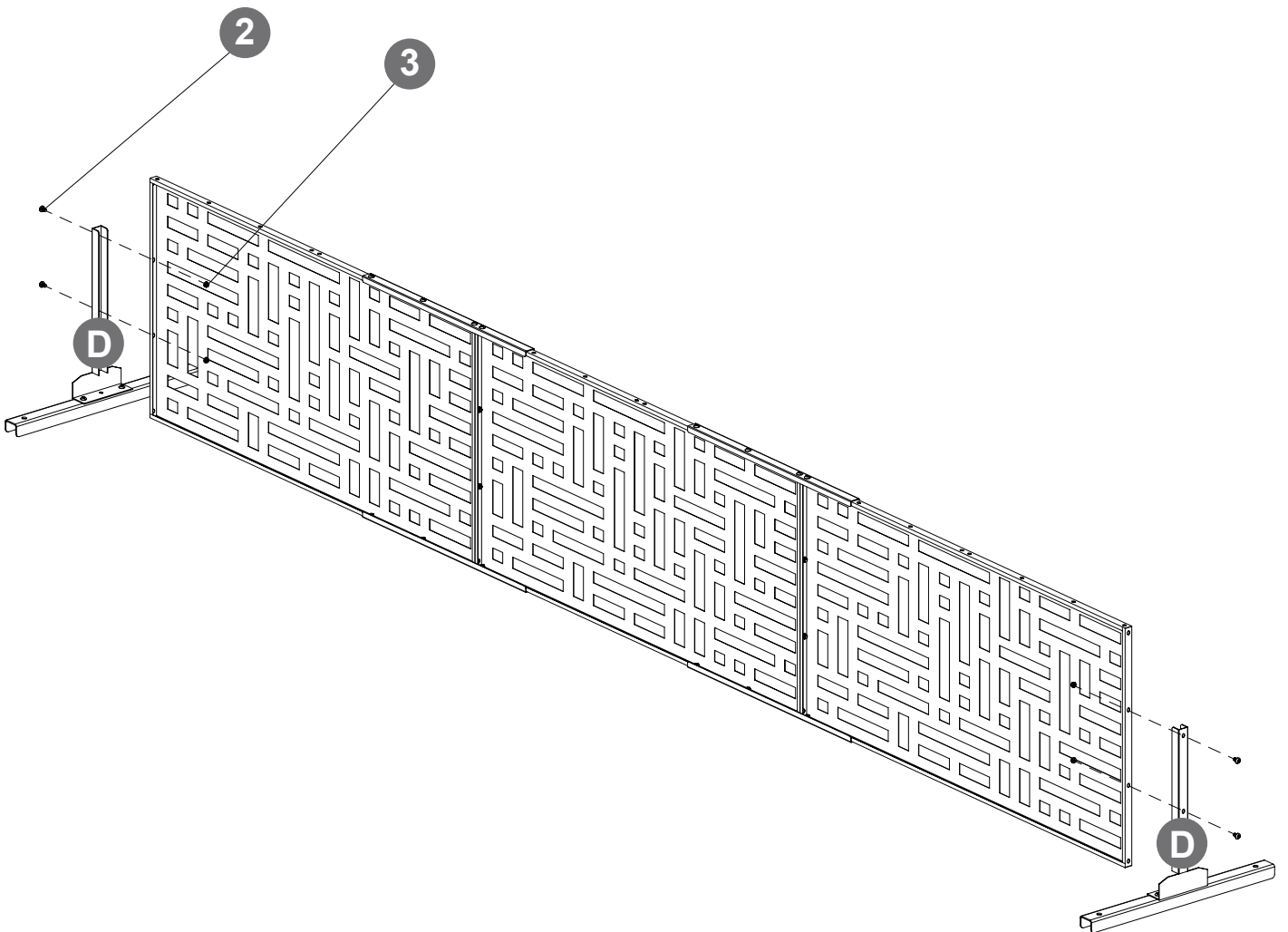
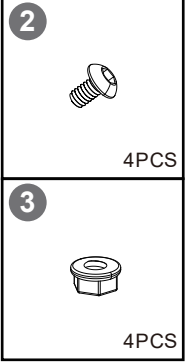
STEP

4



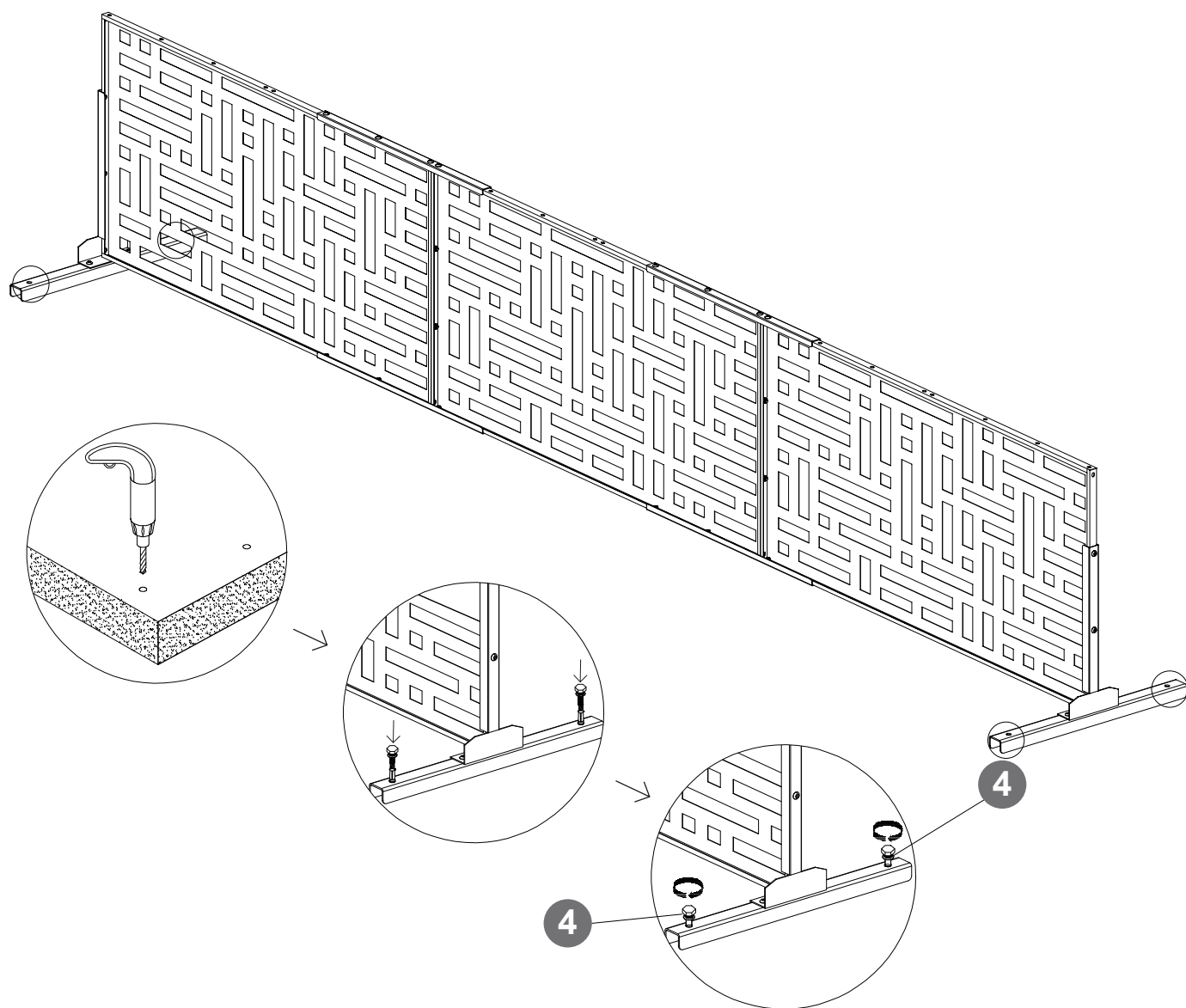
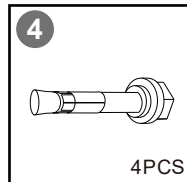
STEP

5



STEP

6



AFTER-SALE SERVICE

If you have any product suggestions or encounter any quality issues, please don't hesitate to reach out to us initially. Our customer support team will respond to you within 24 hours, and we are committed to providing you with solutions that meet your satisfaction.

Guaranteed Customer Service

Your shopping experience holds immense importance to us!

Not satisfied? **Contact us!**

Questions on your mind? **Contact us!**

Have any suggestions? **Contact us!**

Excited to show off how our smart pro enhances your home?

Share your photos with us!



Patiofurniture Serviceteam@outlook.com

