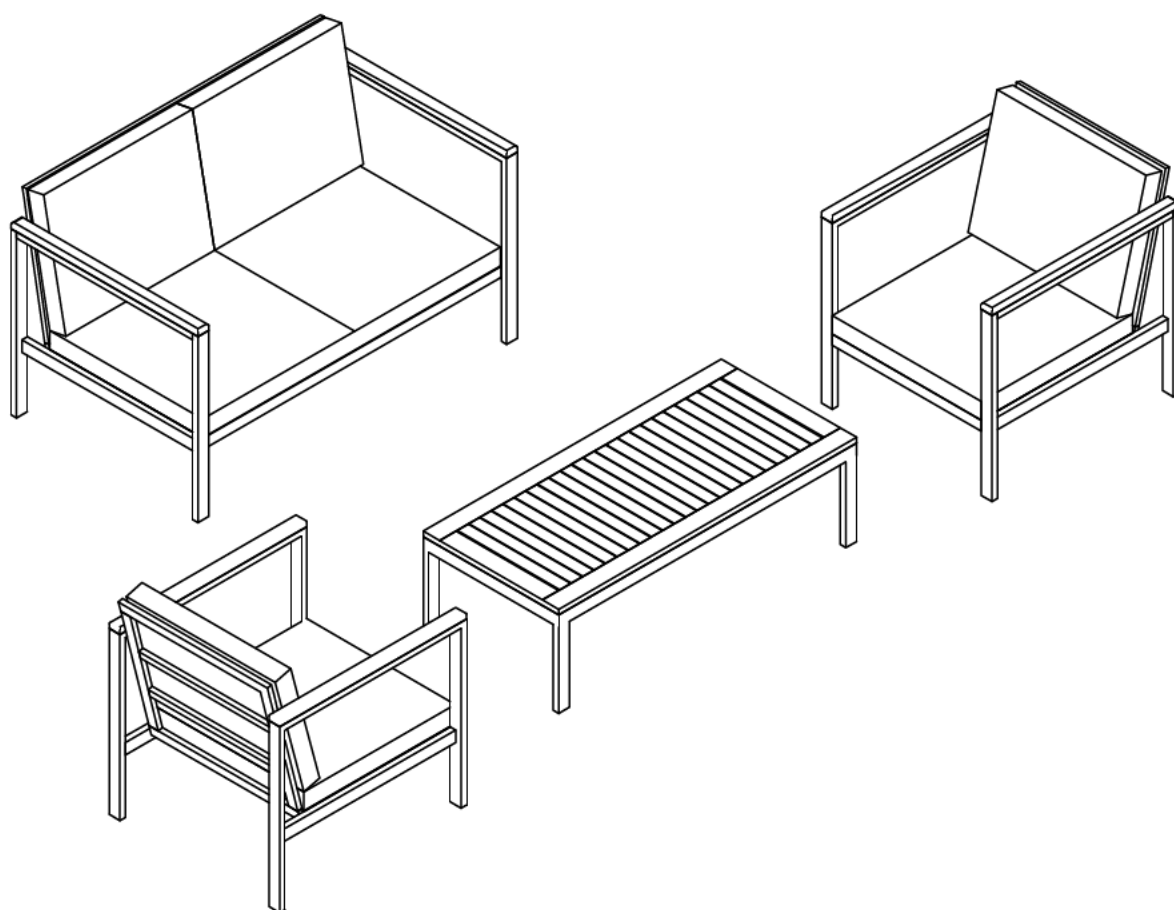


INSTRUCTION MANUAL

Conversation Sofa Set, Black with Oatmeal Cushions



CONTENTS

Safety and care advice	1
Components	2
Assembly instructions	4

⚠ SAFETY AND CARE ADVICE ⚠

PLEASE READ THESE INSTRUCTIONS CAREFULLY AND KEEP FOR FUTURE REFERENCE

- **Warning:** Please lift with care.
- Check you have all the components and tools listed on pages 2 and 3.
- Remove all fittings from the plastic bags and separate them into their groups.
- Keep children and animals away from the work area, small parts could choke if swallowed.
- Make sure you have enough space to lay out the parts before starting.
- Do not stand or put weight on the product, this could cause damage.
- Assemble the item as close to its final position (in the same room) as possible.

- Assemble on a soft level surface to avoid damaging the unit or your floor (use opened out unit carton).



- We do not recommend the use of power drill/drivers **for inserting screws**, as this could damage the unit. Only use hand screwdrivers.
- Dispose of all packaging carefully and responsibly.

CARE AND MAINTENANCE

- Only clean using a damp cloth and mild detergent, do not use bleach or abrasive cleaners.
- From time to time check that there are no loose screws on this unit.

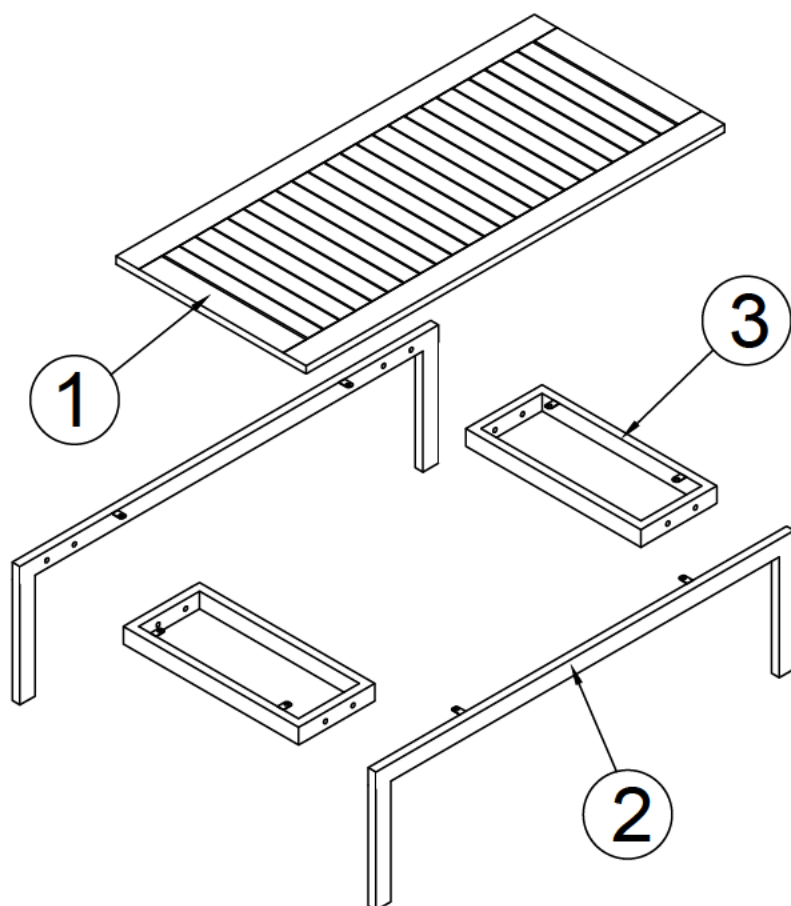
- This product should not be discarded with household waste. Take to your local authority waste disposal center.

Note *If required the next page can be cut out and used as reference throughout the assembly. Keep this page with these instructions for future reference.*

COMPONENTS

Please check you have all the panels listed below :

Please check you have all the panels listed below:

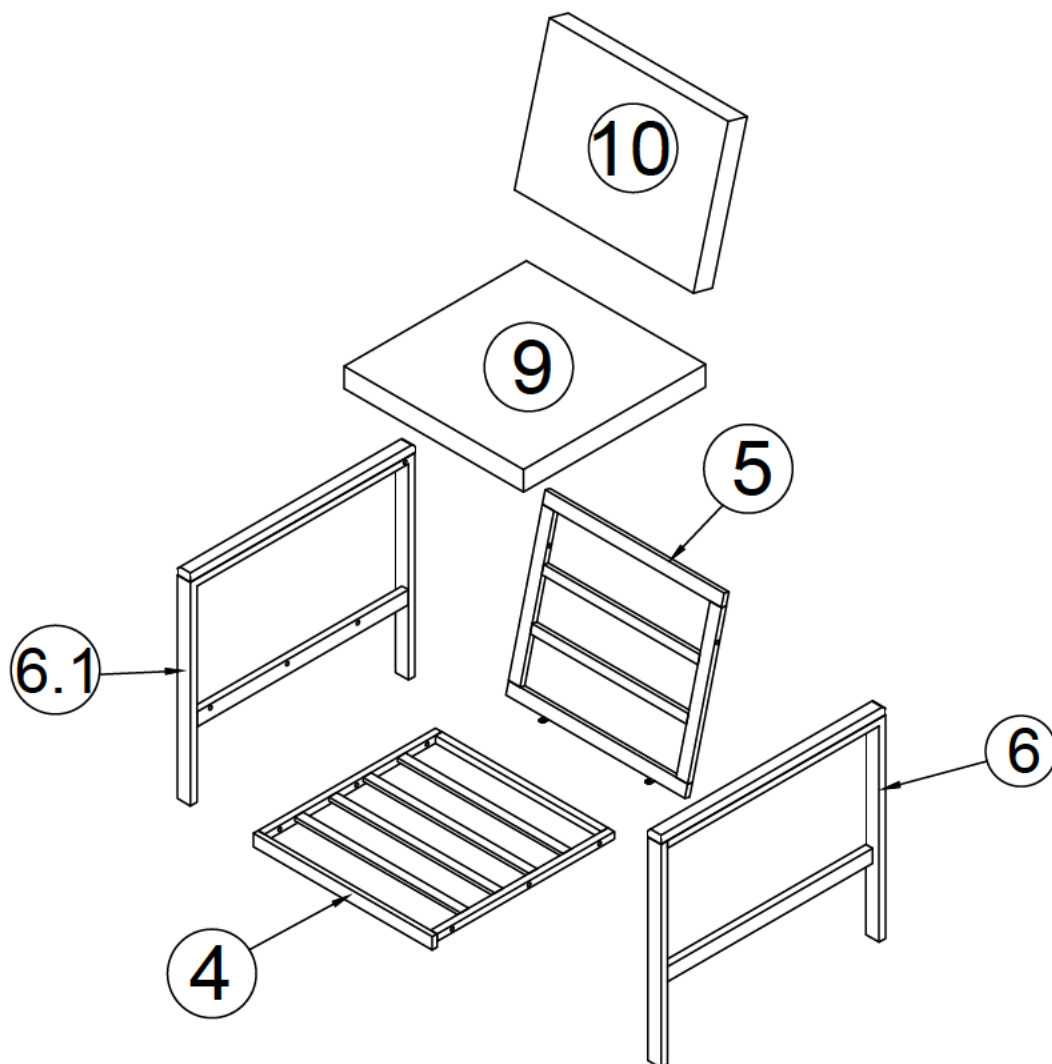
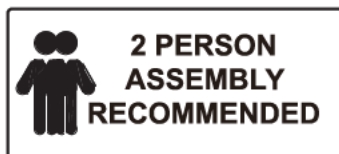


1	Table top	x1
2	Table legs	x2
3	Table bar	x2

COMPONENTS

Please check you have all the panels listed below :

Please check you have all the panels listed below:

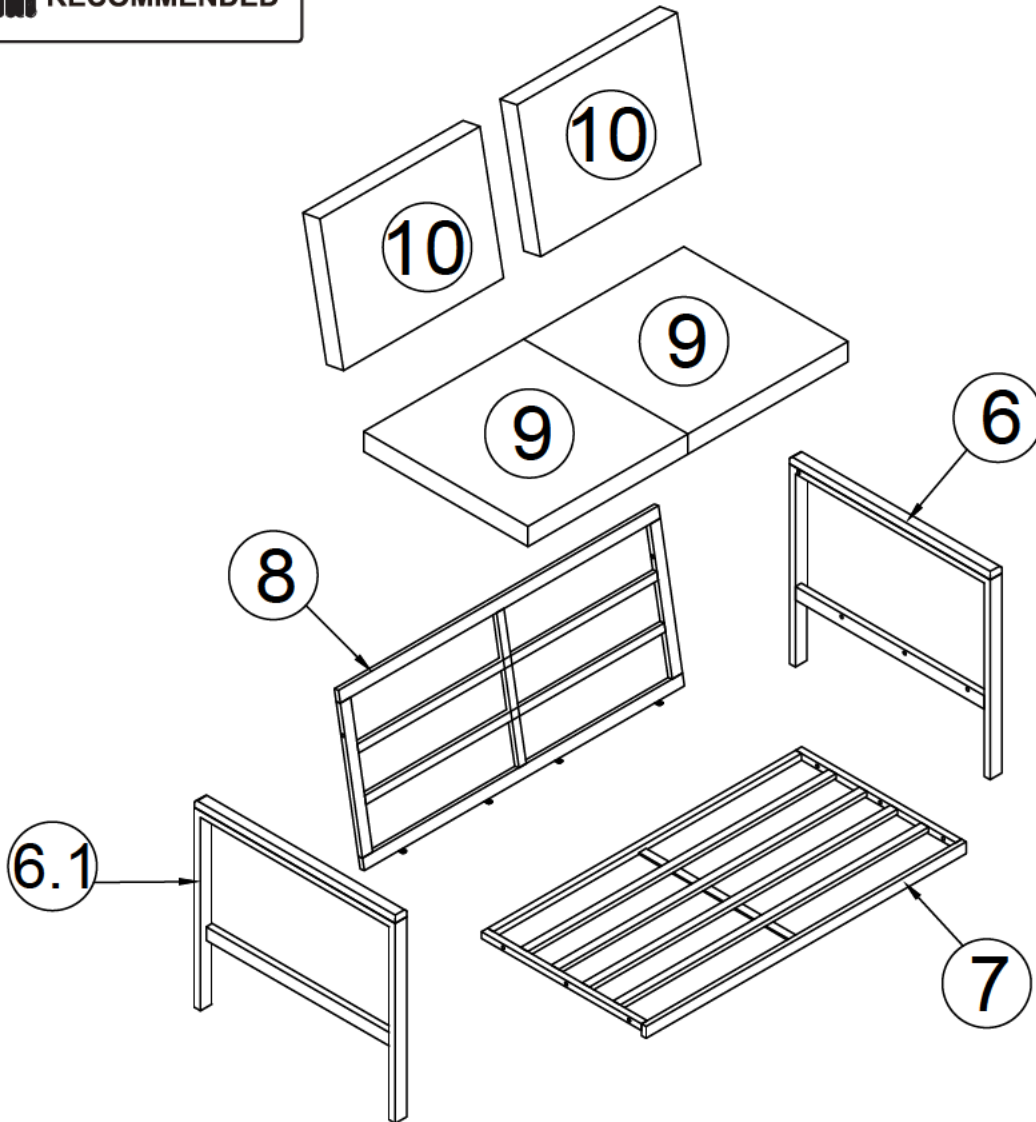


4	Chair seat	x2	6.1	Chair arm right	x2
5	Chair back	x2	9	Seat cushion	x2
6	Chair arm left	x2	11	Back cushion	x2

COMPONENTS

Please check you have all the panels listed below :

Please check you have all the panels listed below:



6	Arm chair left	x1	8	Back bench	x1
6.1	Arm chair right	x1	9	Seat cushion	x2
7	Seat bench	x1	10	Back cushion	x2

COMPONENTS

Please check you have all the panels listed below :

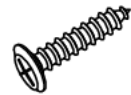
HARDWARE LIST

A



Allen Bolt M6*55 (6 pcs)

D



Screw Bolt M4*15 (8 pcs)

B



Allen Bolt M6*35 (26 pcs)

E



Washer M6*16*1.0 (40 pcs)

C



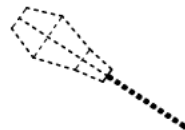
Allen Bolt M6*20 (8 pcs)

F



Allen Key K4 (1 pc)

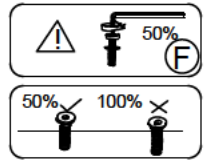
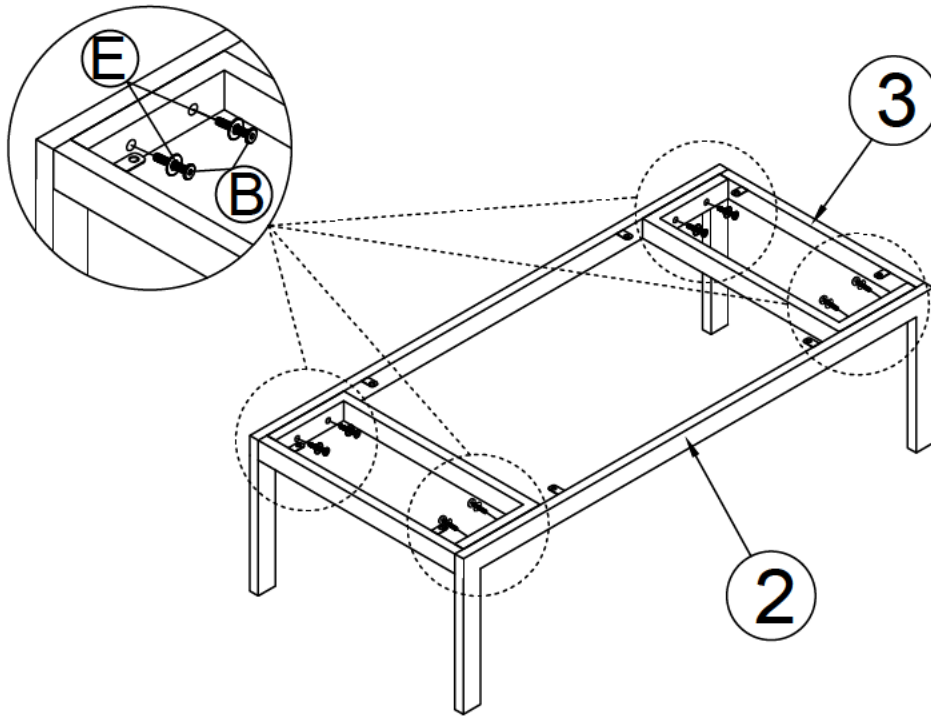
G



Screw driver x1pc (Not included)

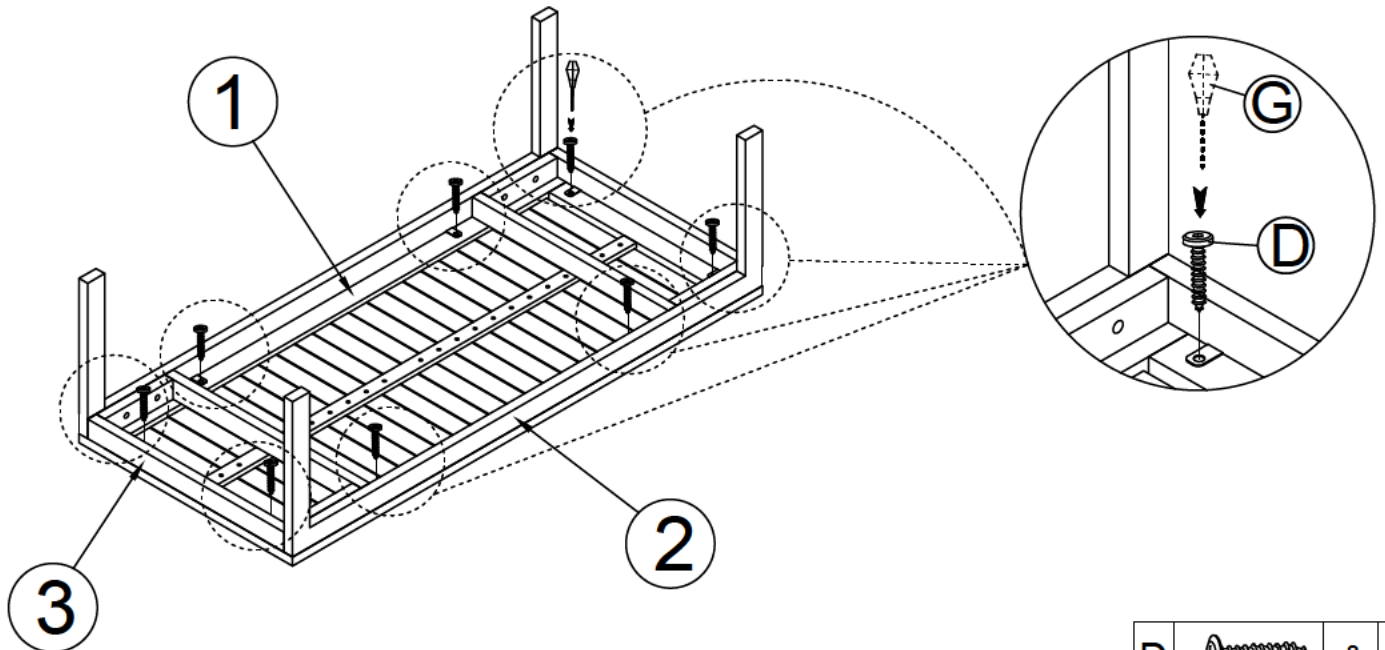
ASSEMBLY INSTRUCTIONS

STEP 1



B		8	
E		8	

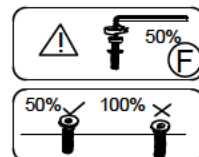
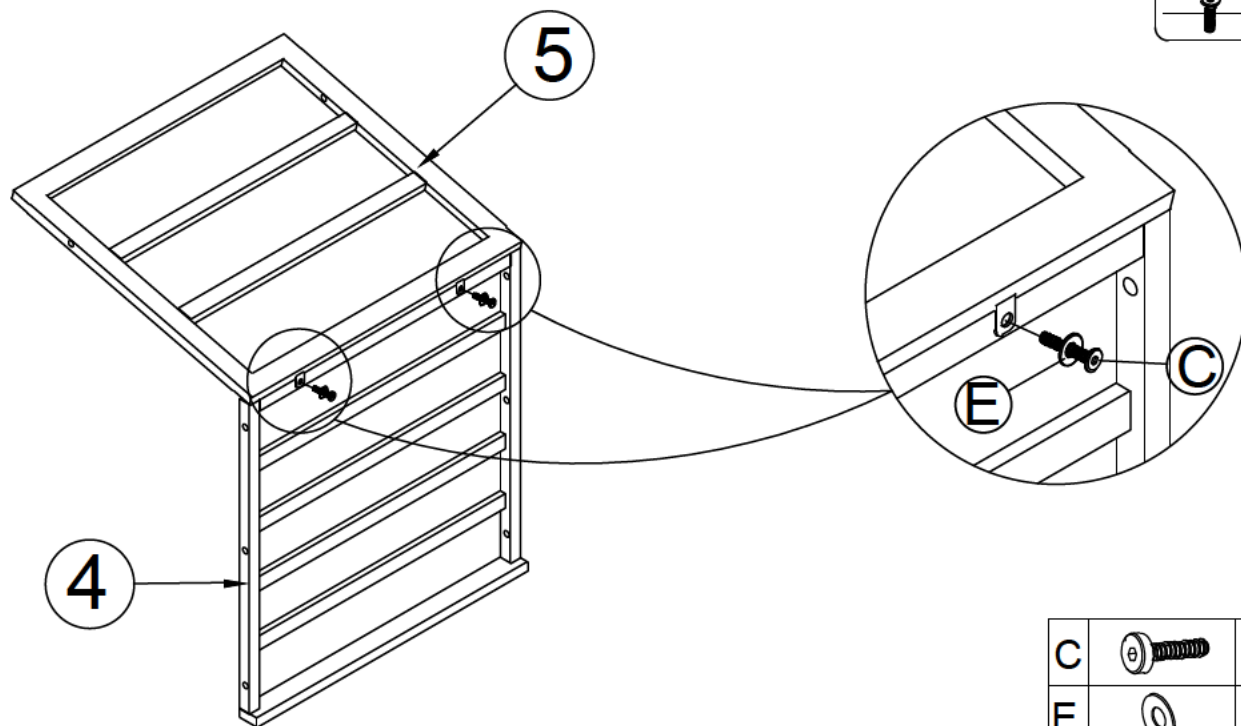
STEP 2



D		8	
G			

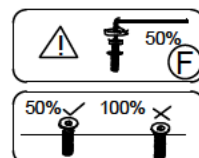
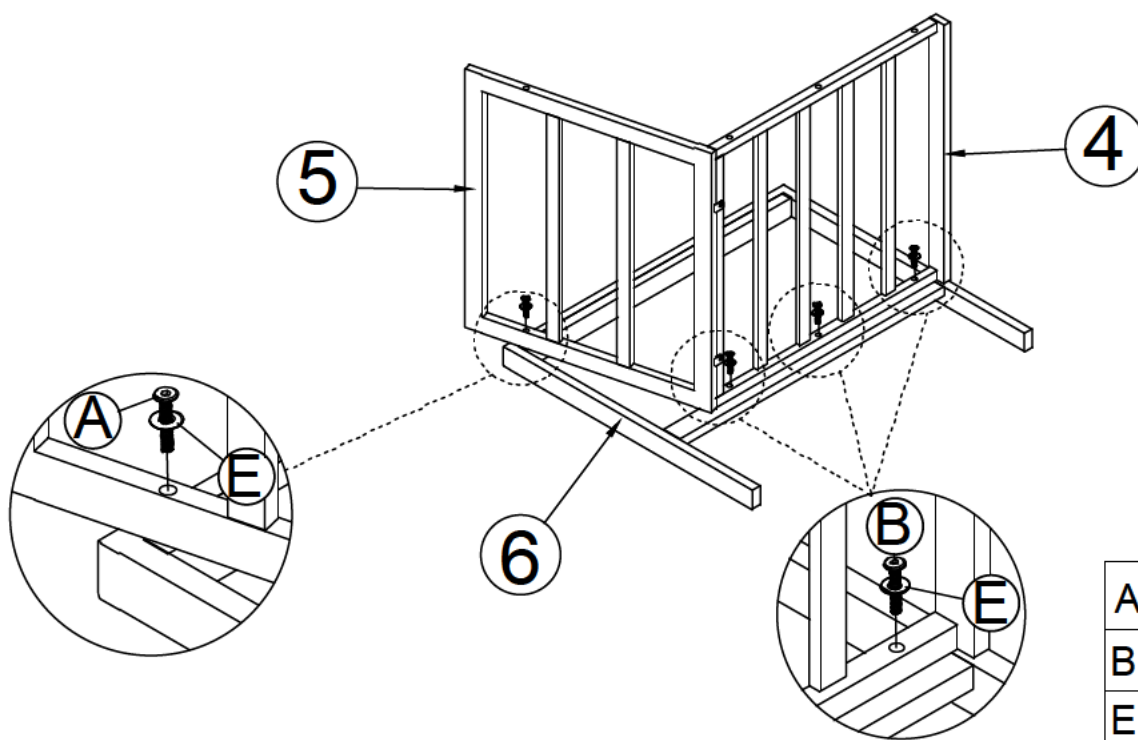
ASSEMBLY INSTRUCTIONS

STEP 3



C		2	
E		2	

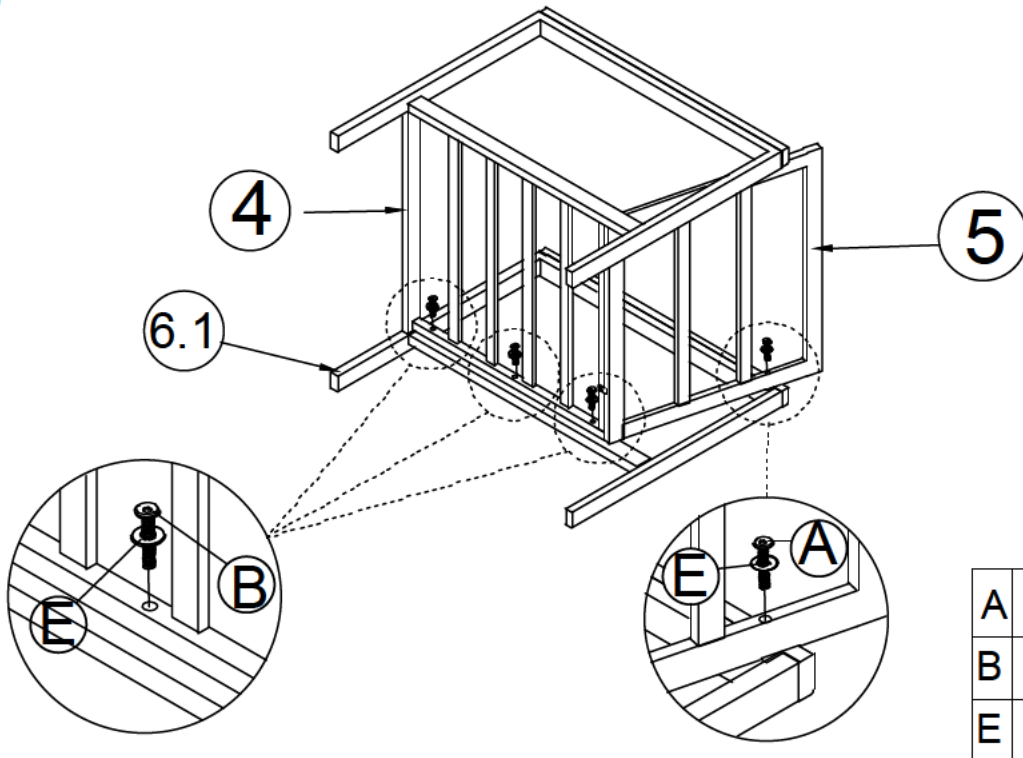
STEP 4



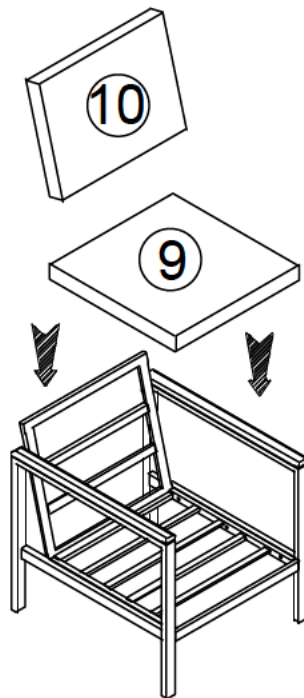
A		1	
B		3	
E		4	

ASSEMBLY INSTRUCTIONS

STEP 5

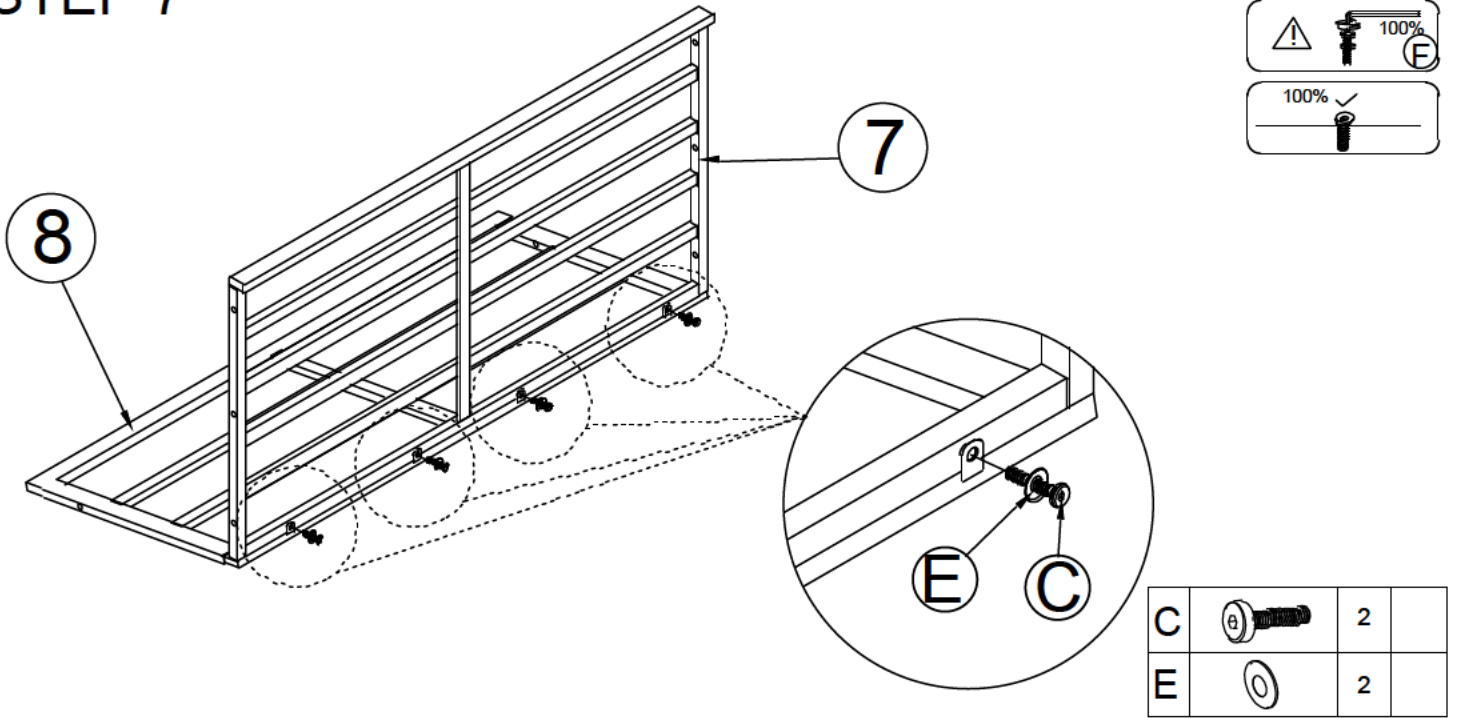


STEP 6

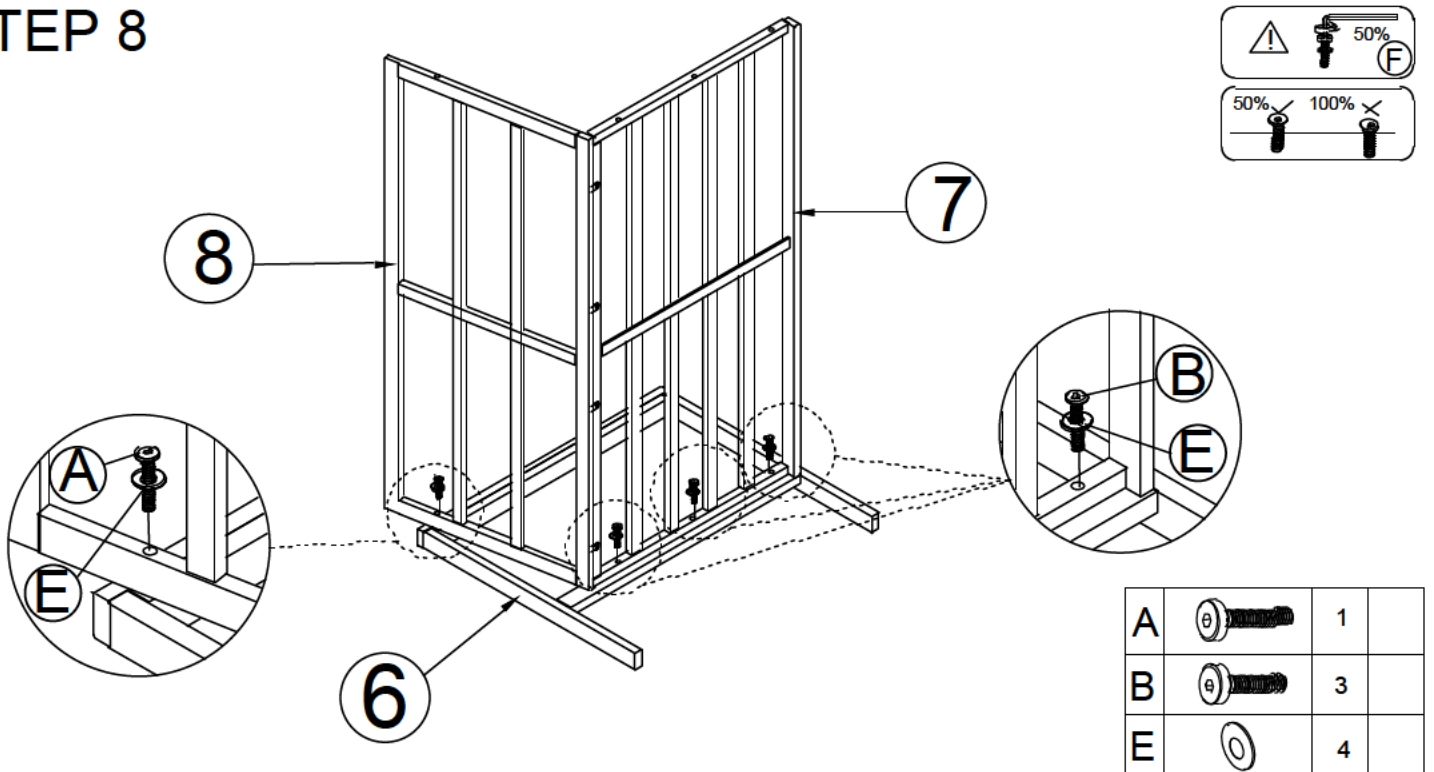


ASSEMBLY INSTRUCTIONS

STEP 7

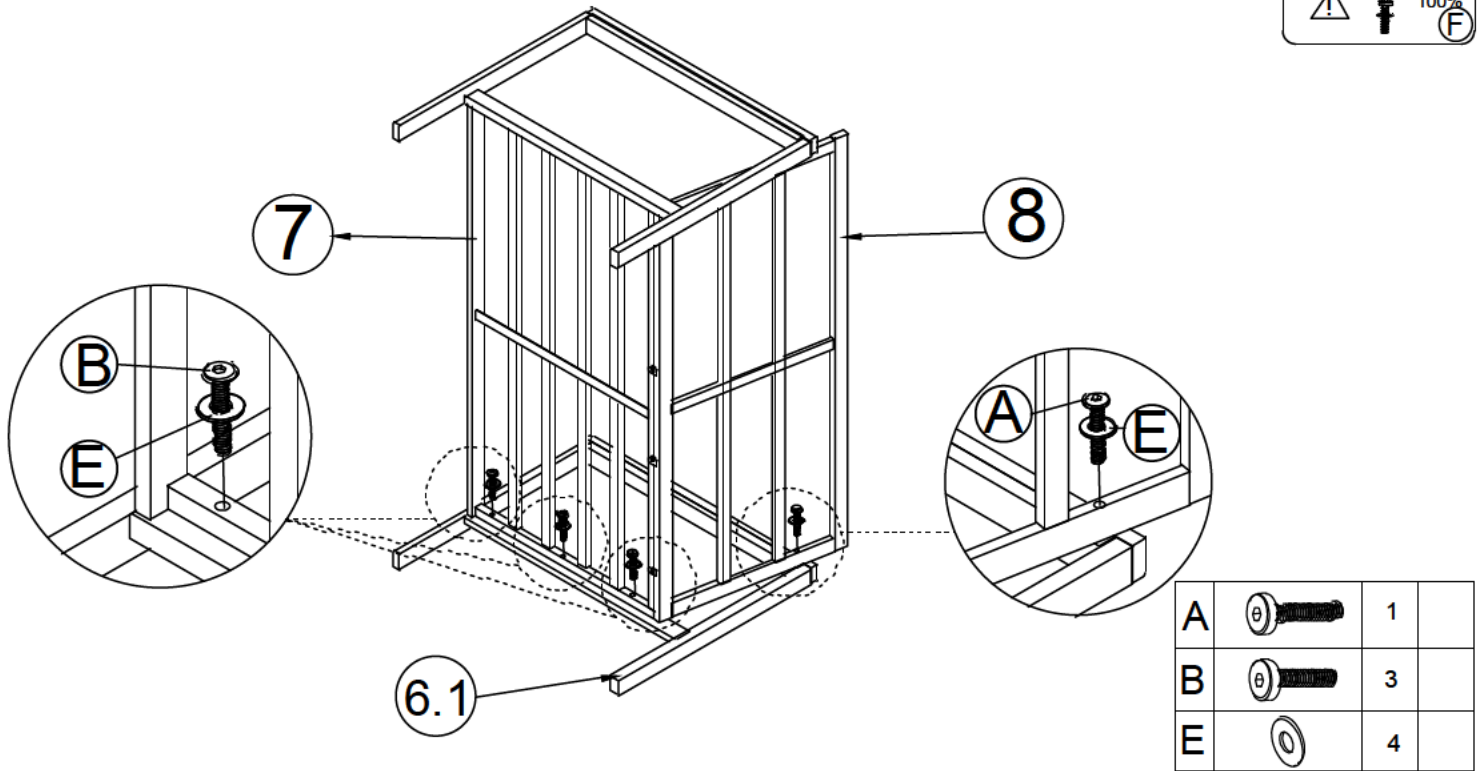
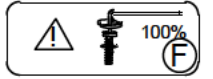


STEP 8

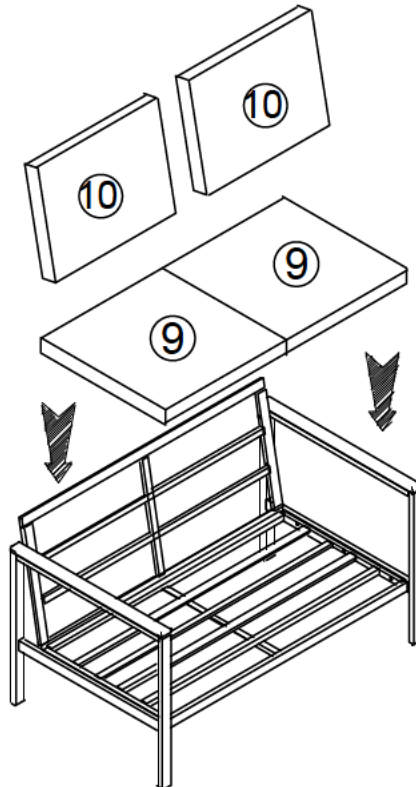


ASSEMBLY INSTRUCTIONS

STEP 9

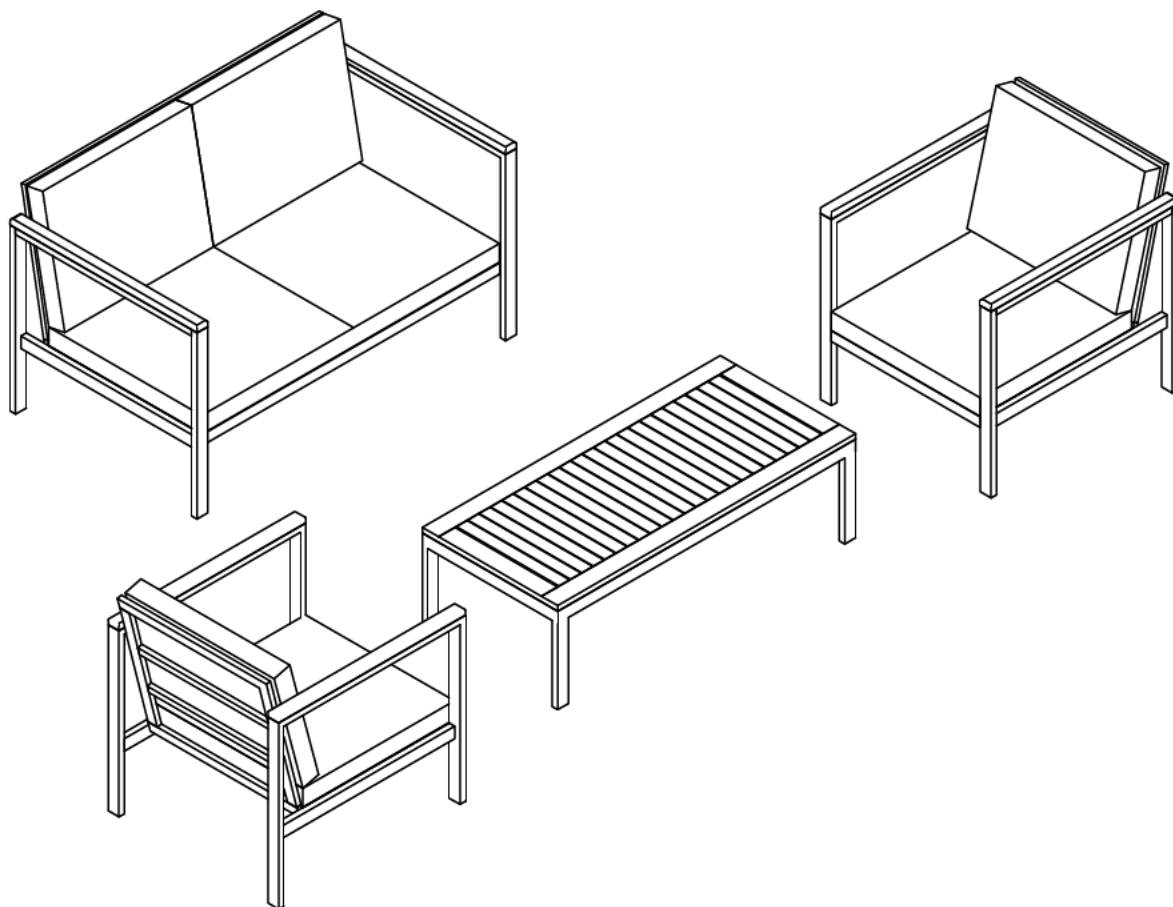


STEP 10



ASSEMBLY INSTRUCTIONS

STEP 11 Finish



Congratulations! Now you have finished assembling the product.