
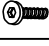


ASSEMBLY INSTRUCTIONS

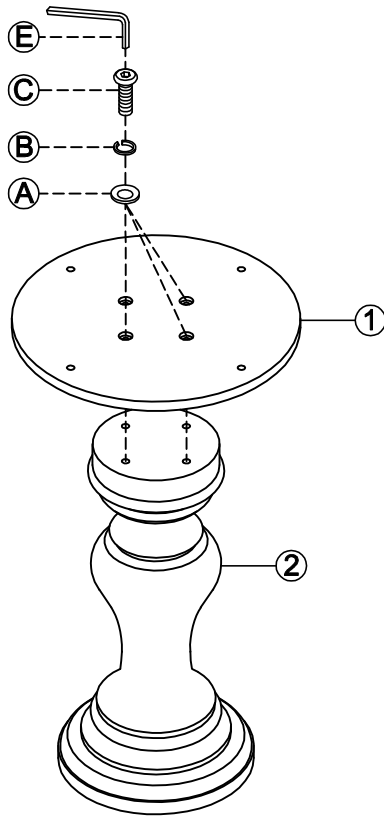
COMPONENT LIST

NO	Description	Q'TY
1	Plywood Top Plate	1 PC
2	Pedestal	1 PC
3	Wood Base	1 PC
4	Leg	4 PCS

HARDWARE PACK

NO	Drawing	Description	Q'TY
A		Flat Washer Ø5/16" *19mm	8PCS
B		Lock Washer Ø5/16"	8PCS
C		Bolt Ø5/16**35mm	4PCS
D		Bolt Ø5/16**57mm	4PCS
E		Allen Key 4mm	1PC

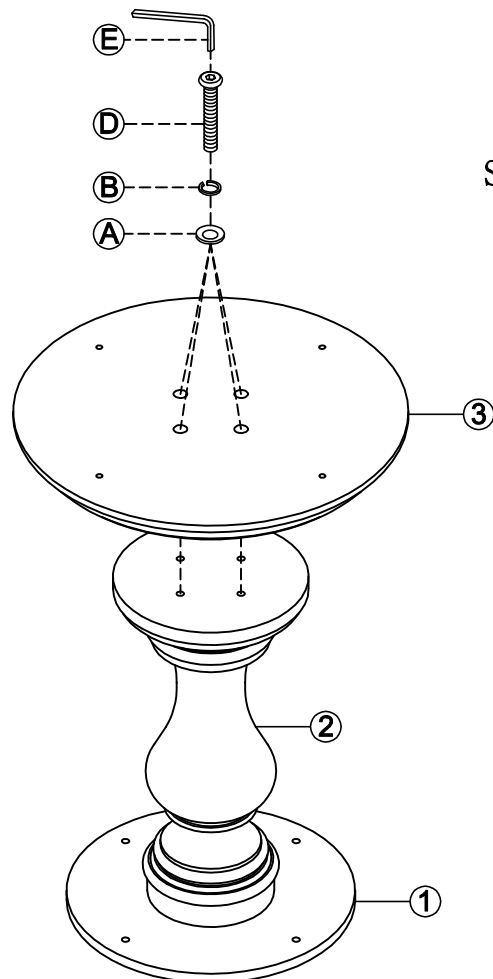
STEP 1



Place plywood plate on top of pedestal and screw A (Flat Washer)+B(Lock Washer) and D (Bolt) by E (Allen Key).

Place plywood plate on top of pedestal and screw A (Flat Washer)+B(Lock Washer) and C (Bolt) by E (Allen Key).

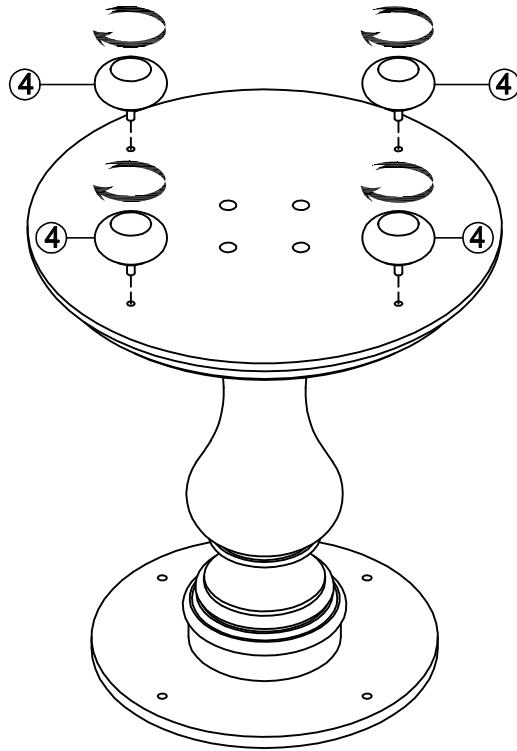
STEP 2



ASSEMBLY INSTRUCTIONS

STEP 3

Screw the legs to the bottom base.



STEP 4

Turn the pedestal upside down

