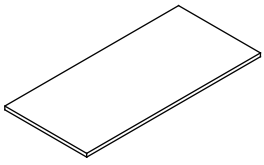
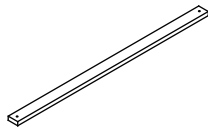


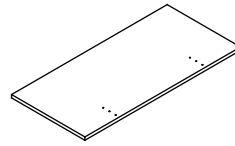
① x1



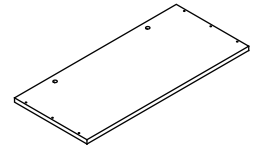
② x1



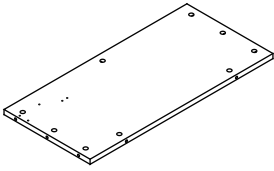
③ x1



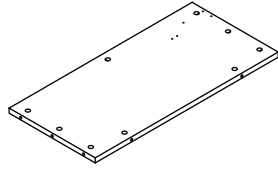
④ x2



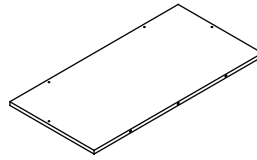
⑤ x1



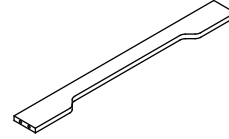
⑥ x1



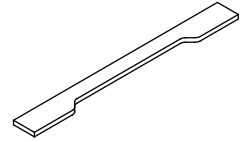
⑦ x2



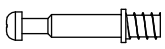
⑧ x2



⑨ x2



Ax34



Bx34



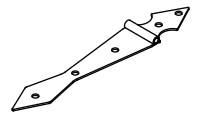
15*9.5mm

Cx7



φ8*30

Dx2

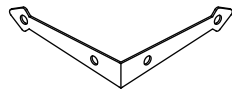


Ex58

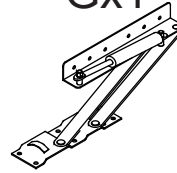


4*14mm

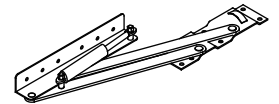
Fx8



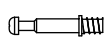
Gx1

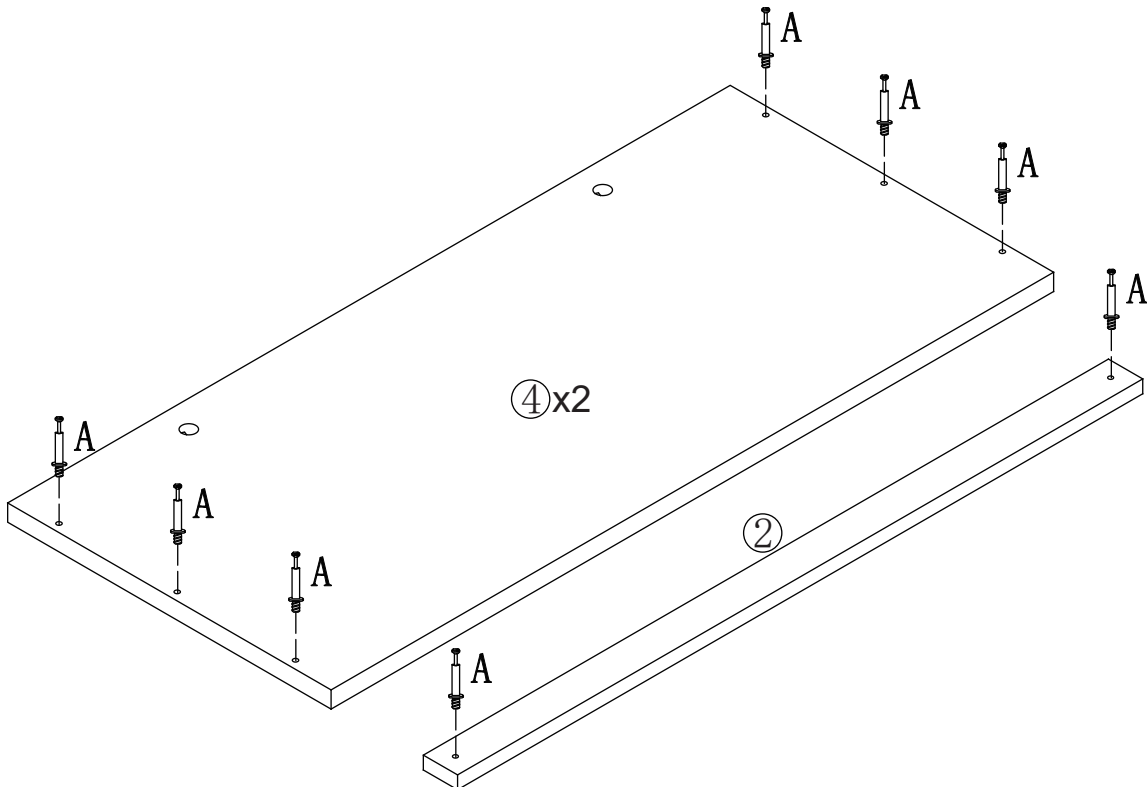


Hx1



STEP 1

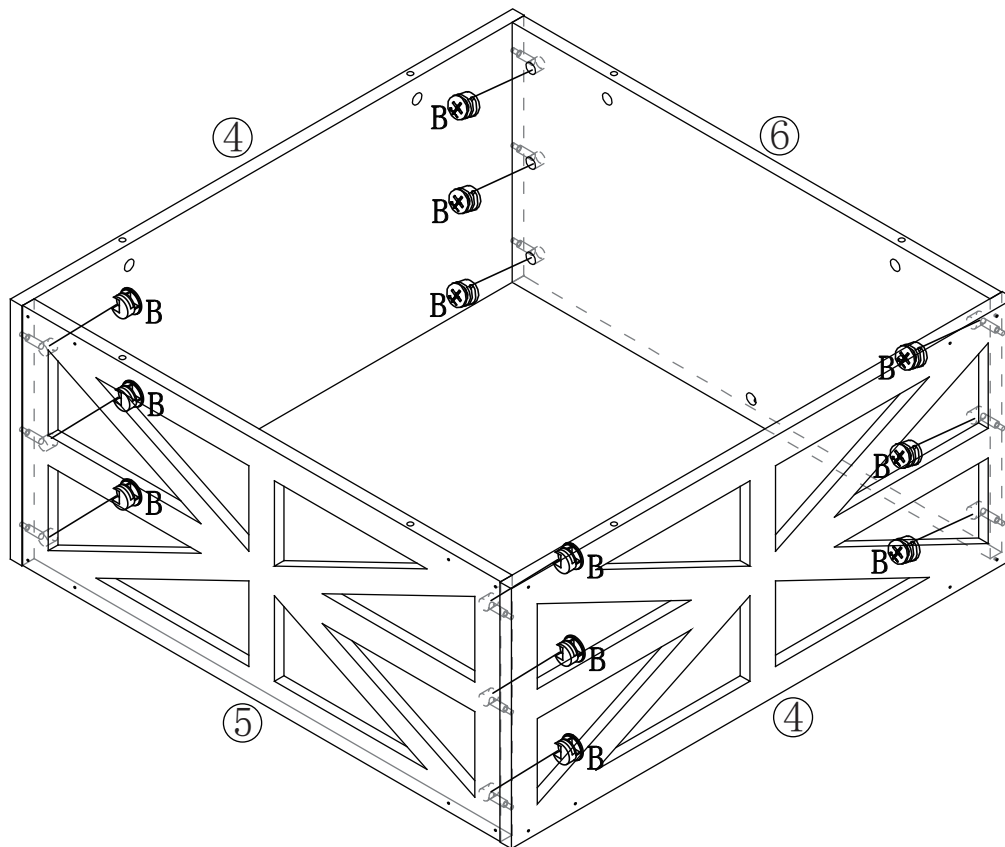
 Ax14



STEP 2



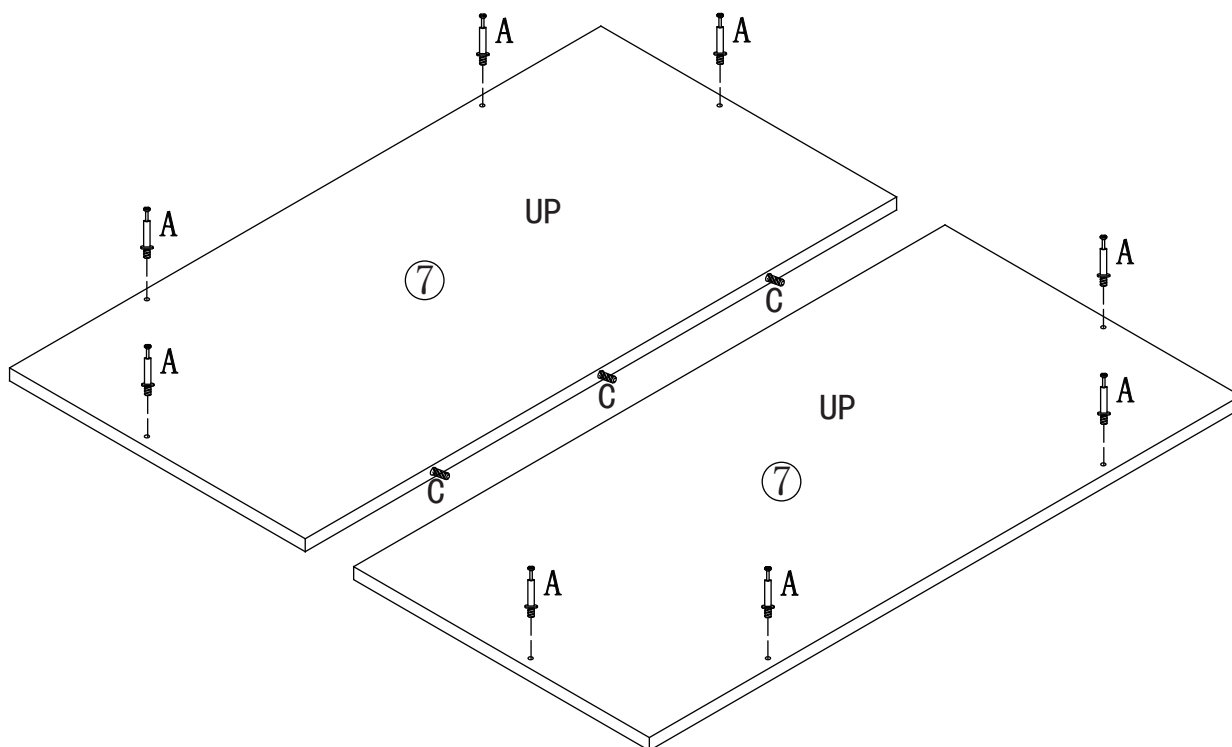
Bx12



STEP 3

 Ax8

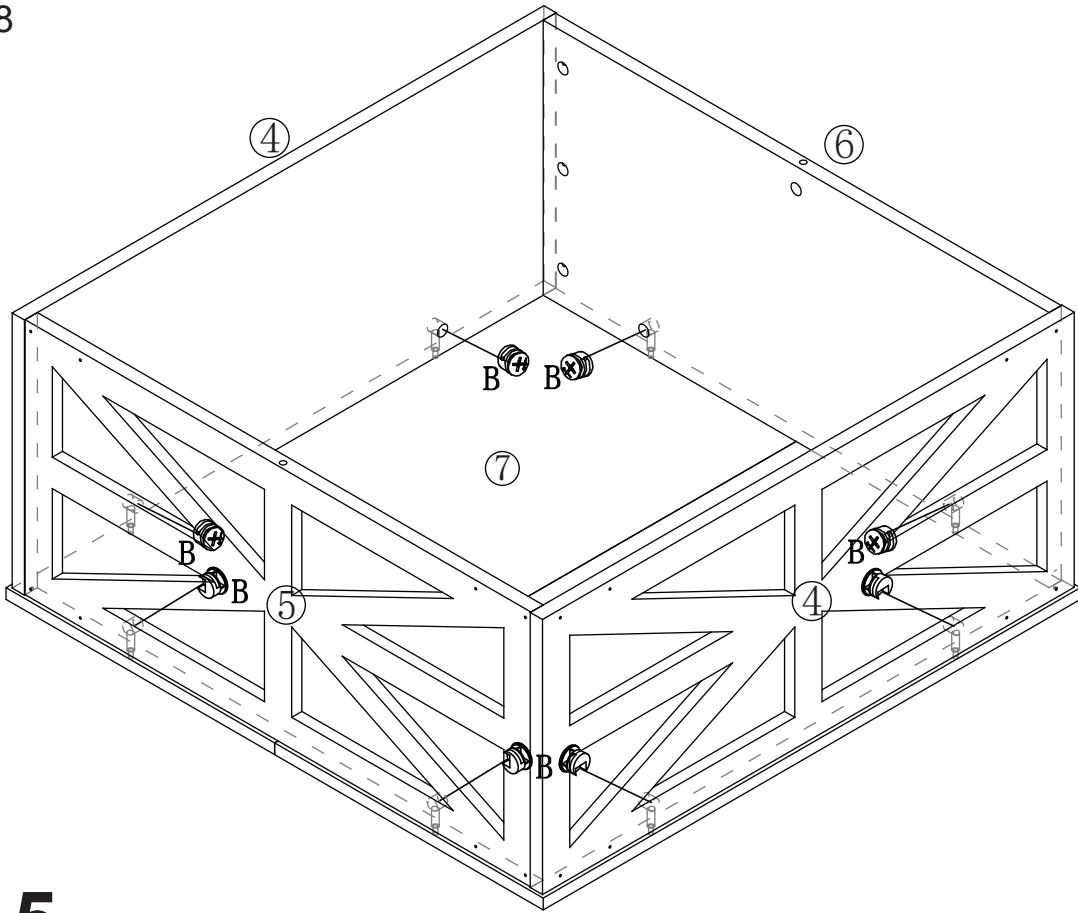
 Cx3



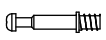
STEP 4



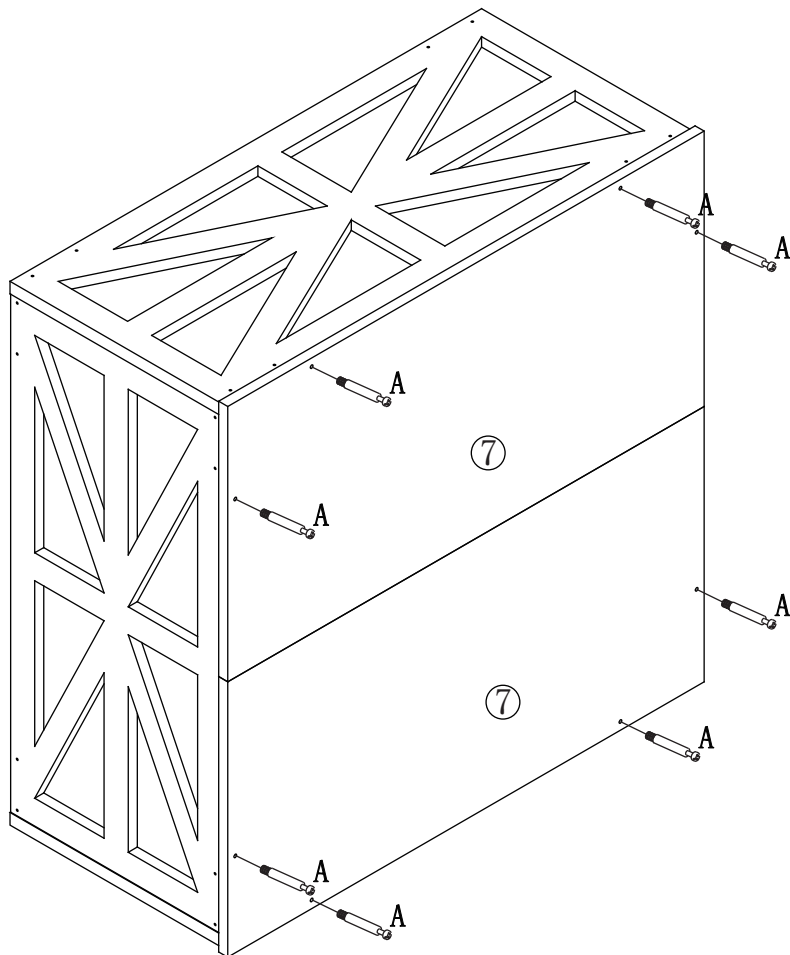
Bx8



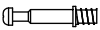
STEP 5



Ax8

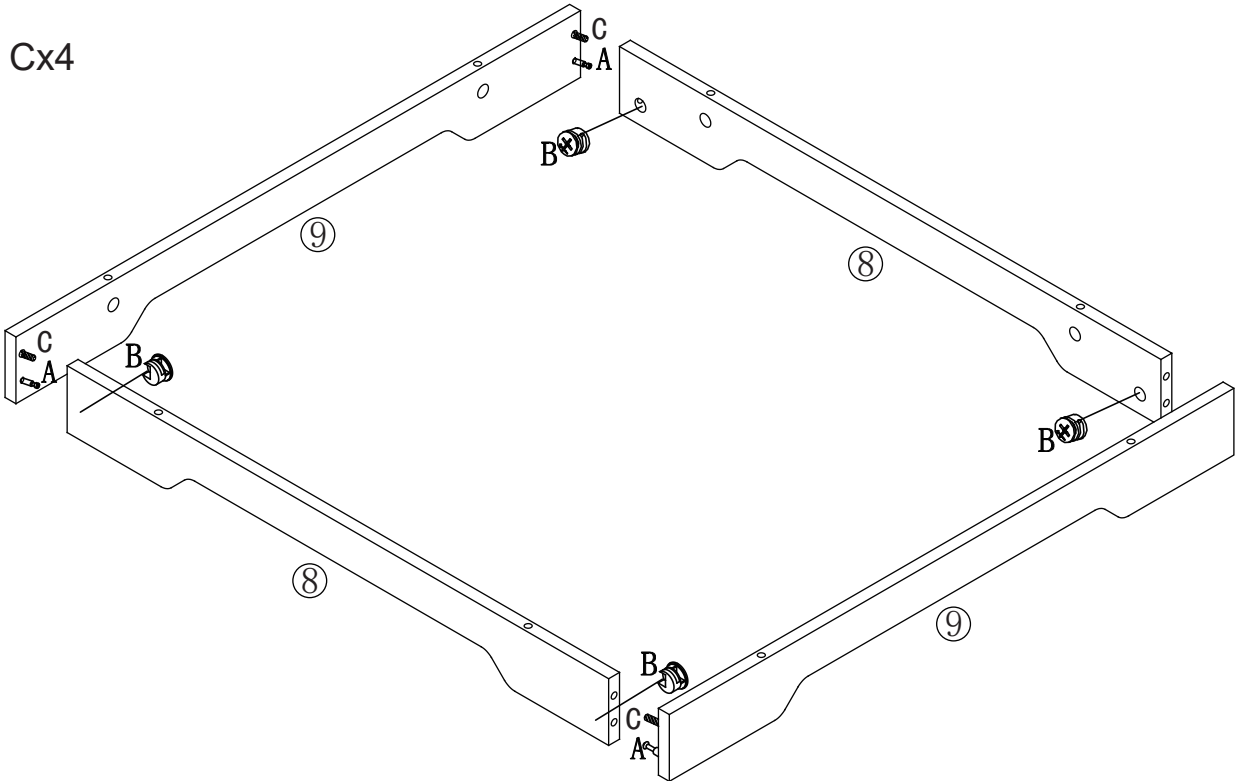


STEP 6

 Ax4

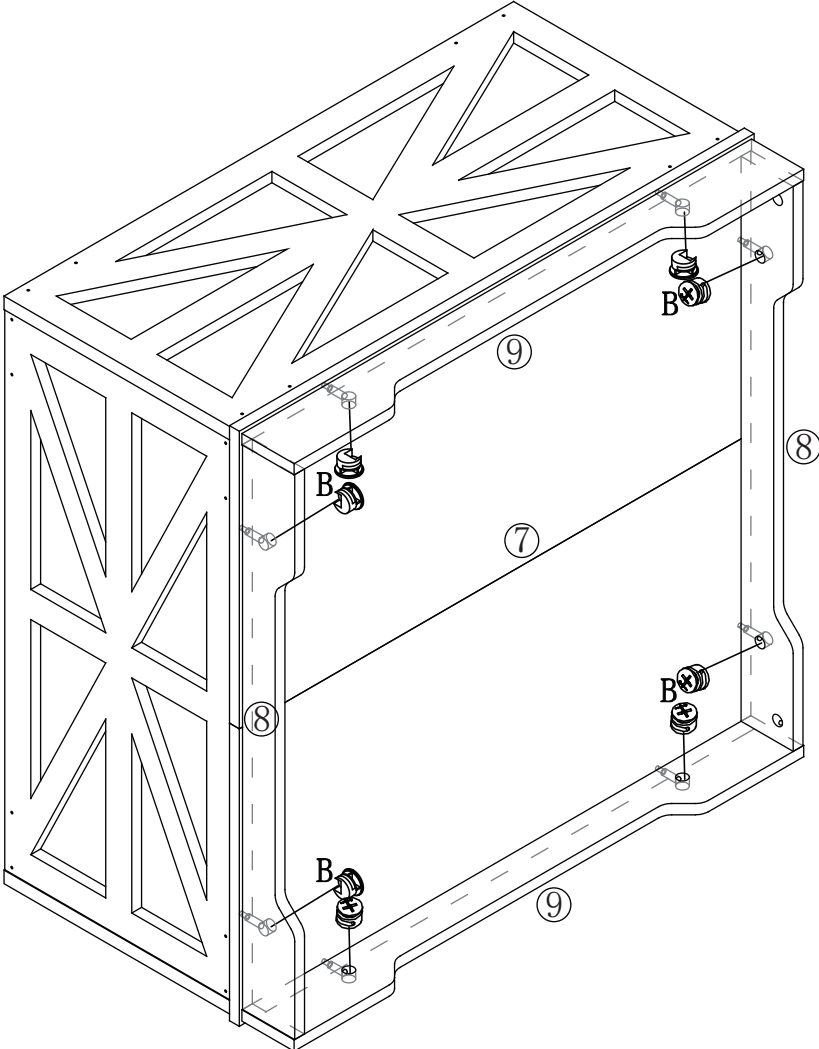
 Bx4

 Cx4

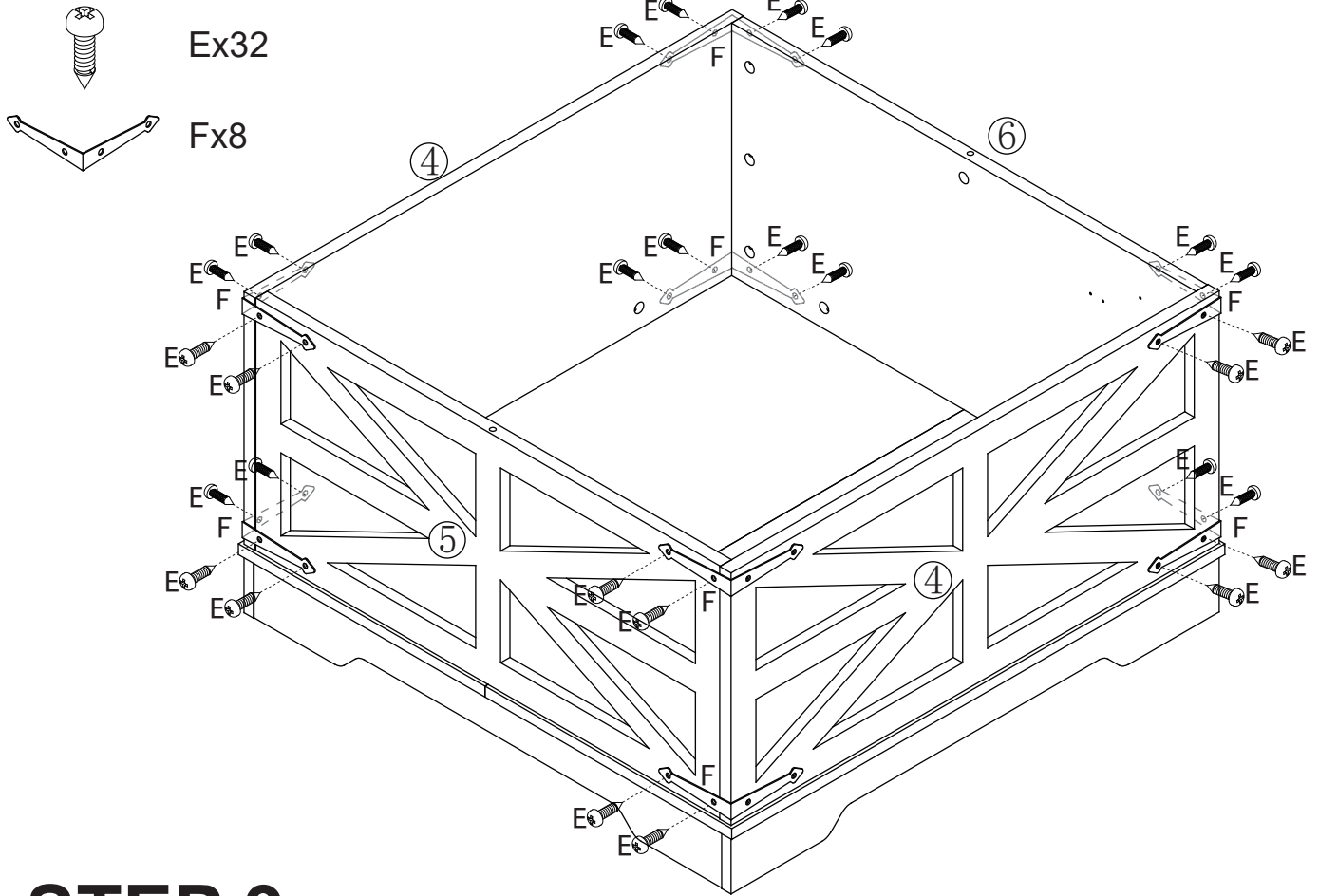


STEP 7

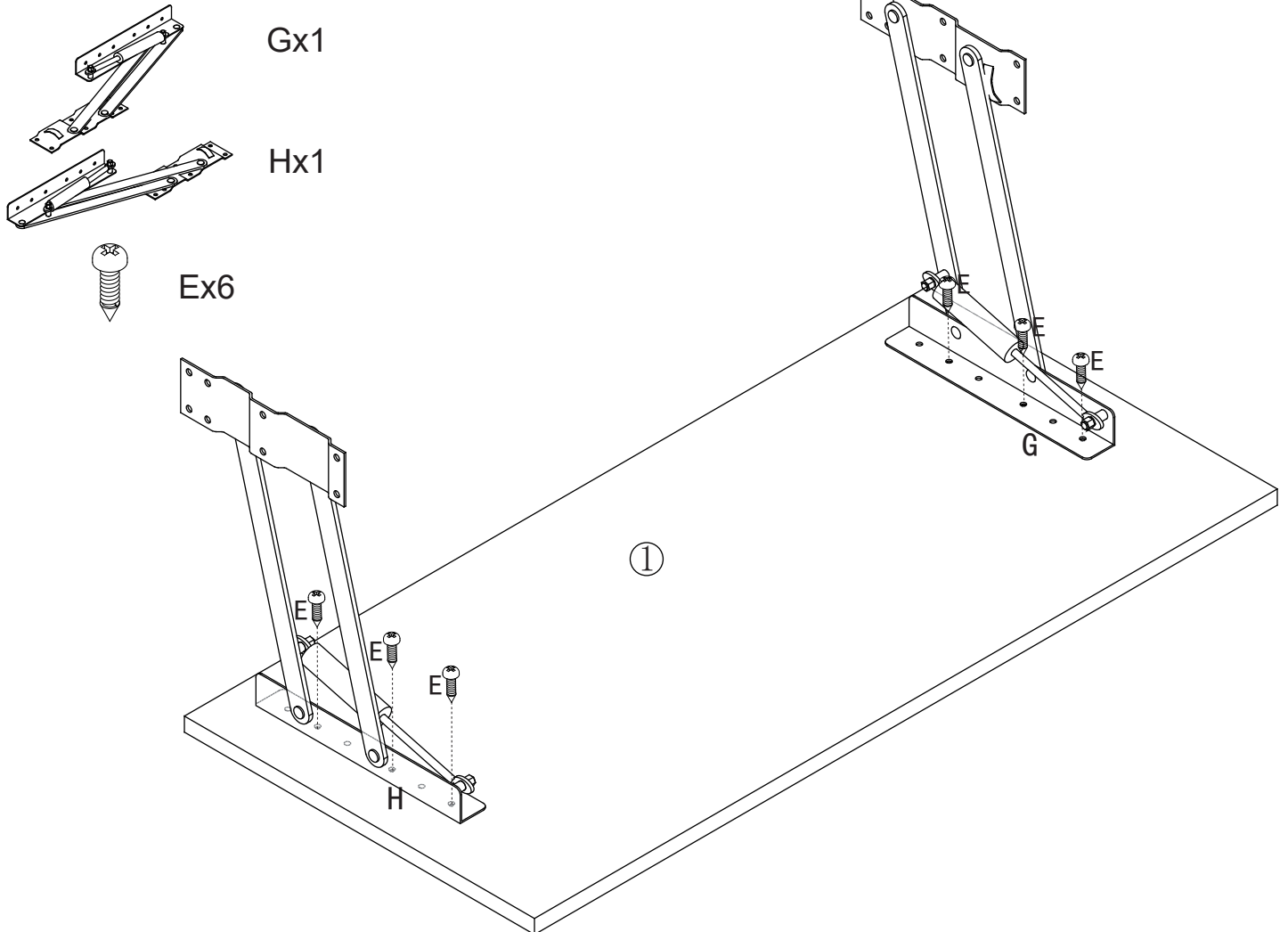
 Bx8



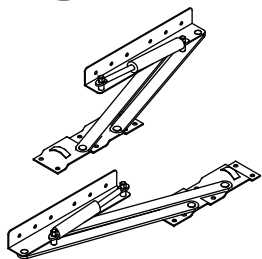
STEP 8



STEP 9



STEP 10

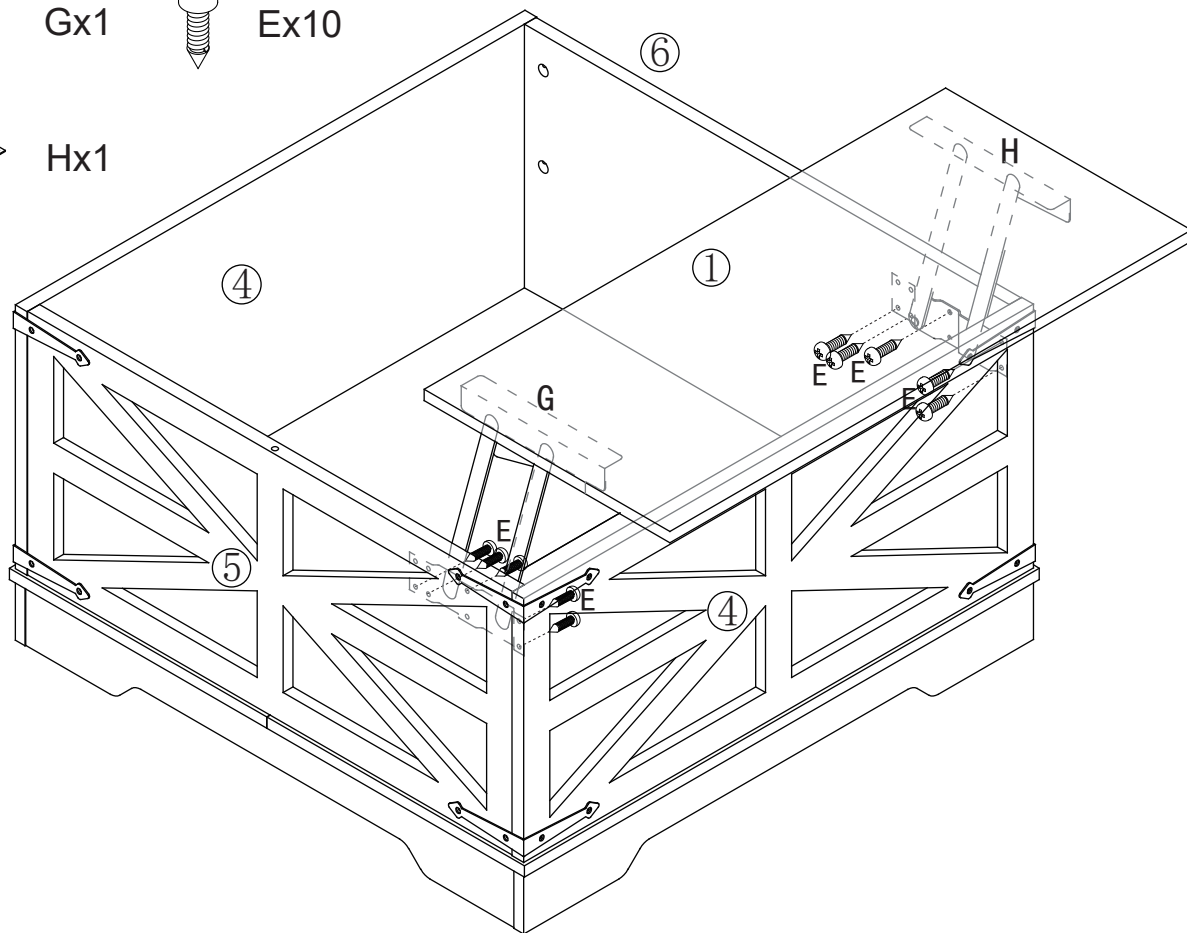


Gx1



Ex10

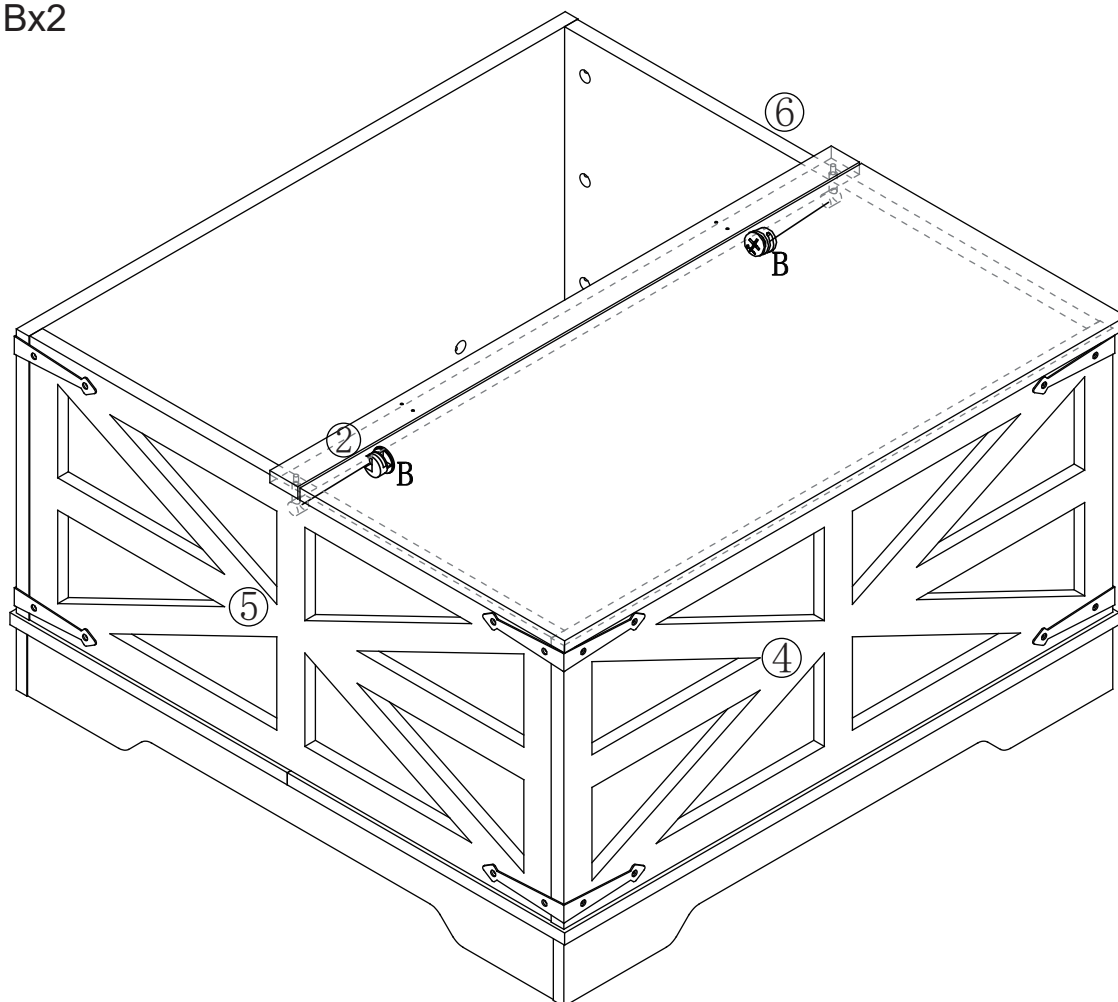
Hx1



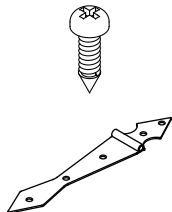
STEP 11



Bx2

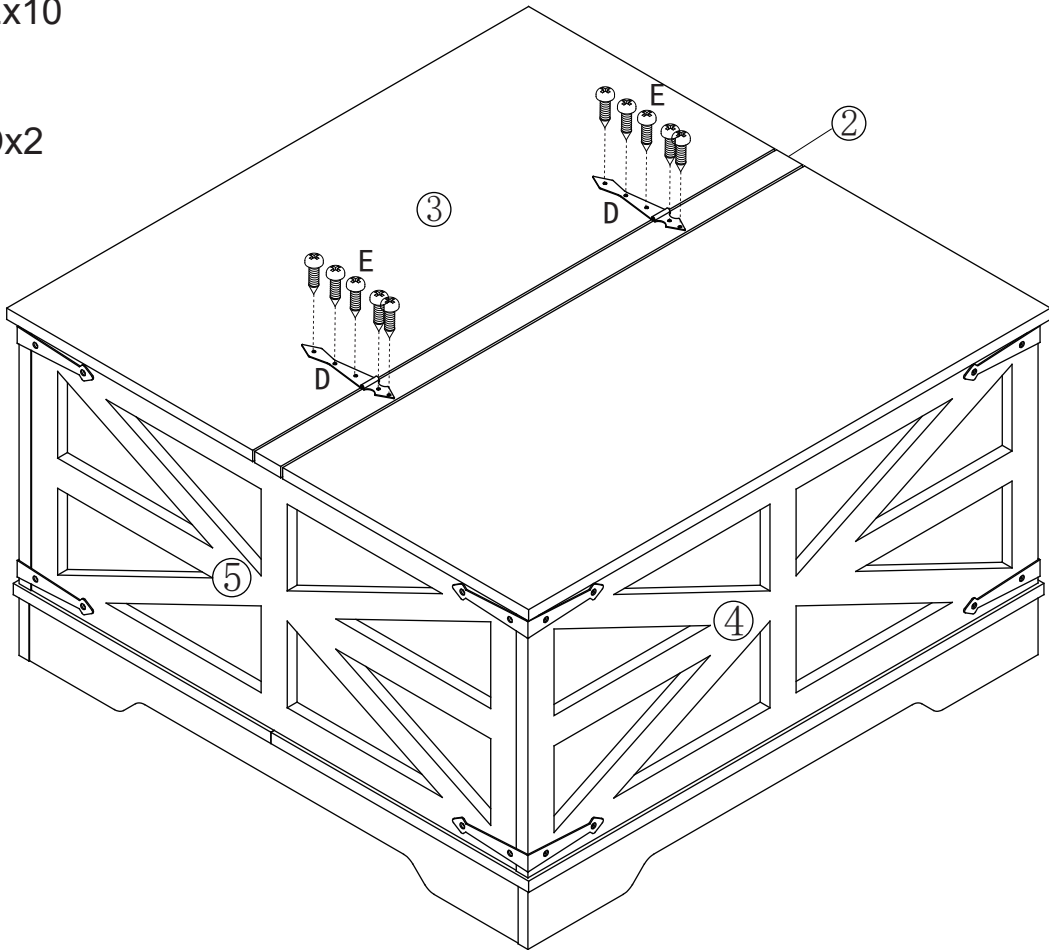


STEP 12



Ex10

Dx2



FINISH

