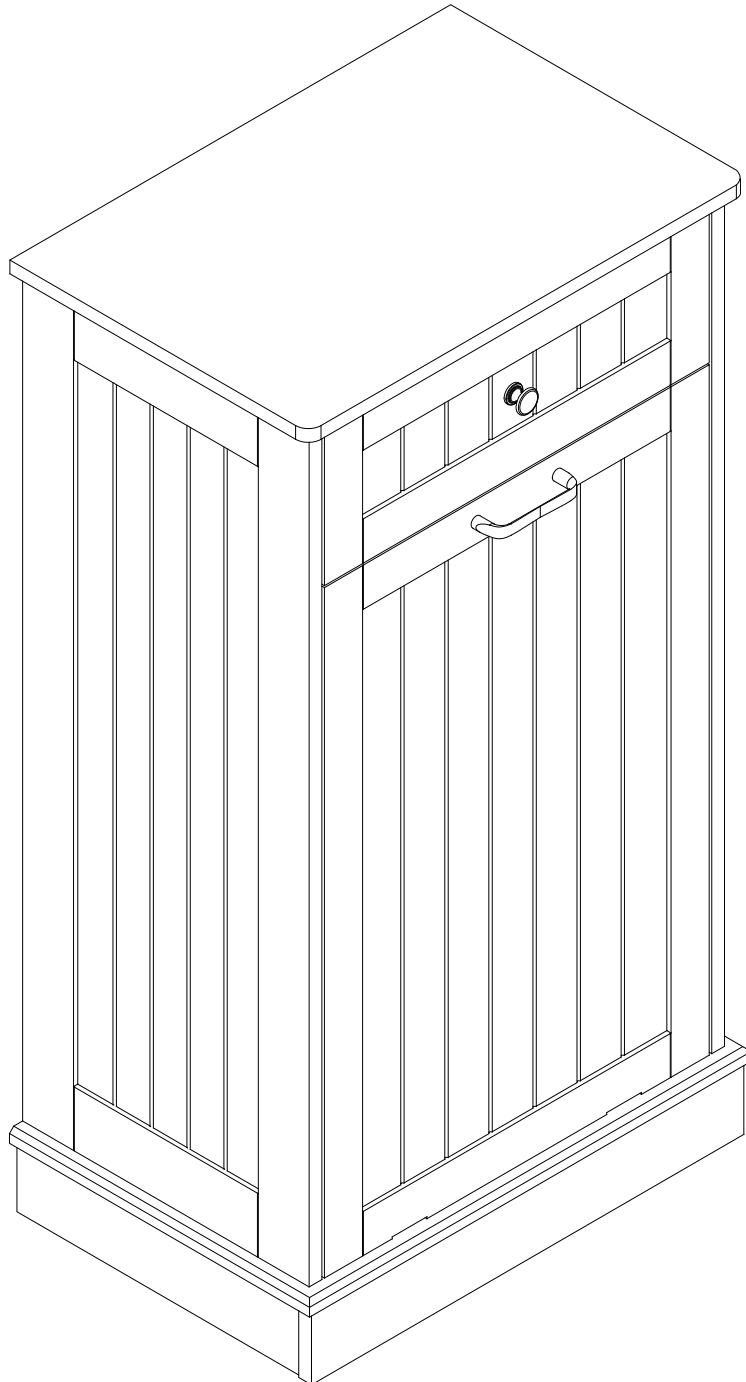
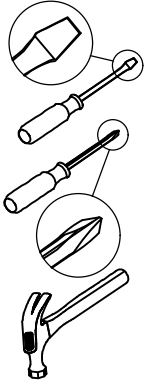

NYX08-072



As this item contains many parts, please read the installation instruction carefully before installation . Please use tools properly and carefully.

Before You Start



- ✓ Read through each step carefully and follow the proper order
- ✓ Separate and count all your parts and hardware
- ✓ Give yourself enough room for the assembly process
- ✓ Have the following tools: Flat Head Screwdriver, #2 Phillips Head Screwdriver and Hammer
- ✓ Caution: If using a power drill or power screwdriver for screwing, please be aware of to slow down and stop when screw is tight. Failure to do so may result in stripping the screw. (Assembly speed can be increased by using electric screwdriver)

Helpful Hints

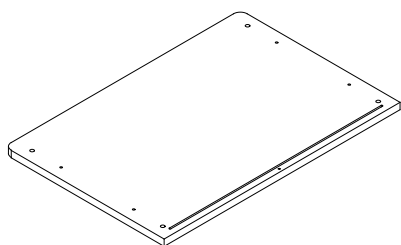
PEOPLE NEEDED FOR ASSEMBLY: 1-2

- Open your item in the area you plan to keep it to avoid excessive heavy lifting.
- Identify, sort and count the parts before attempting assembly.
- Compression dowels are lightly tapped in with a hammer.
- Slides are labeled with an **R** (right) and **L** (left) for proper placement.
- Make sure to always face the point on the top of the Cam Lock towards the outer edge.
- If there is a back panel in the package, please install it to make sure your unit is complete and sturdy.
- Please fix all the screws provided for the back panel which can enhance product stability. If it is difficult to fix it when tightening, it can be fixed with the help of a hammer and then tightened.
- Do NOT use harsh chemicals or abrasive cleaners on this item.
- Never push, pull, or drag your furniture.

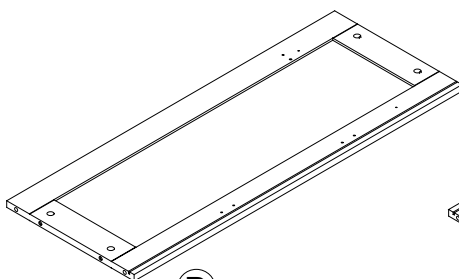


Board Identification

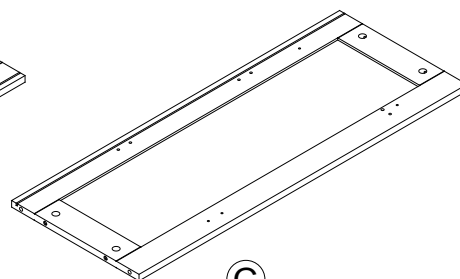
Not actual size



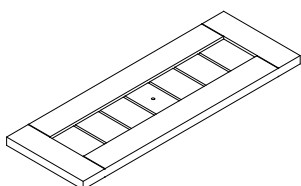
(A)
TOP
Qty:1



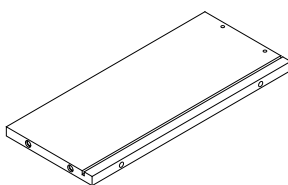
(B)
UPPER LEFT SIDE PANEL
Qty:1



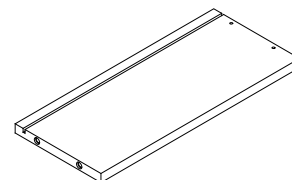
(C)
UPPER RIGHT SIDE PANEL
Qty:1



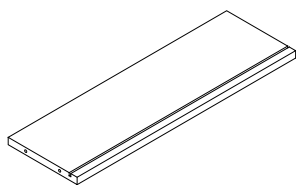
(D)
DRAWER FRONT
Qty:1



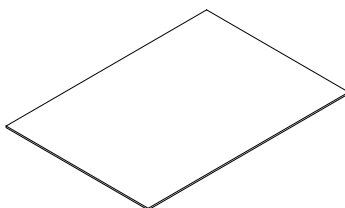
(E)
LEFT DRAWER SIDE
Qty:1



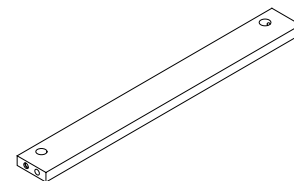
(F)
RIGHT DRAWER SIDE
Qty:1



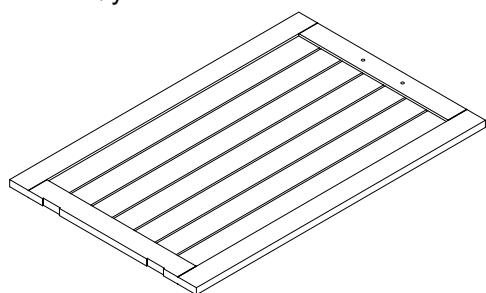
(G)
DRAWER BACK
Qty:1



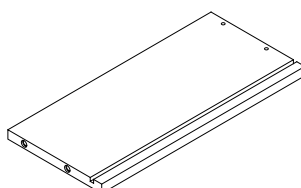
(H)
DRAWER BOTTOM
Qty:1



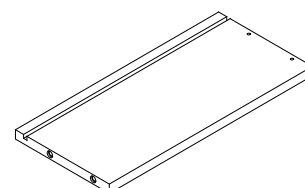
(I)
DRAWER BOTTOM SLAT
Qty:1



(J)
DOOR
Qty:1



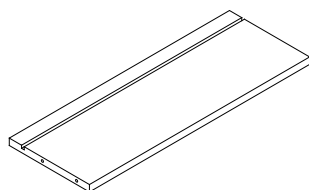
(K)
INNER LEFT SIDE PANEL
Qty:1



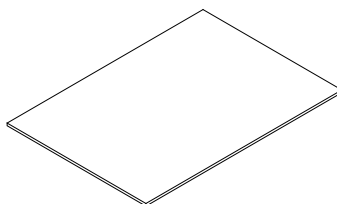
(L)
INNER RIGHT SIDE PANEL
Qty:1

Board Identification

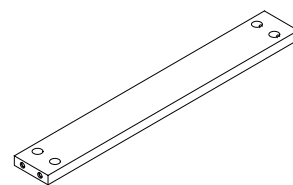
Not actual size



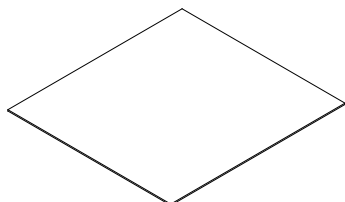
Ⓜ
INNER BACK PANEL
Qty:1



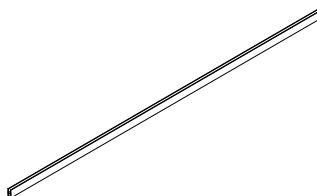
Ⓝ
INNER BOTTOM
Qty:1



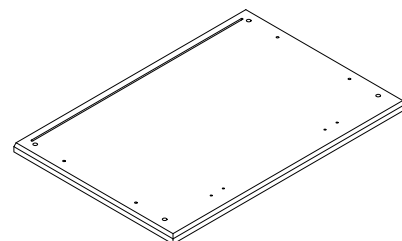
Ⓞ
BACK SLAT
Qty:1



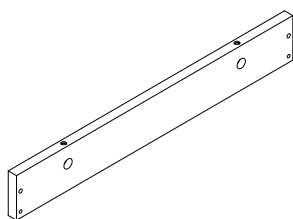
Ⓟ
BACK PANEL
Qty:2



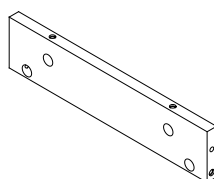
Ⓠ
BACK PANEL CONNECTING STRIP
Qty:1



Ⓡ
BOTTOM
Qty:1

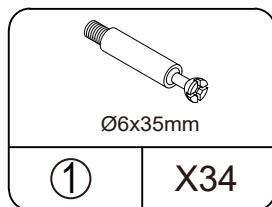


Ⓢ
LOWER FRONT/BACK PANEL
Qty:2

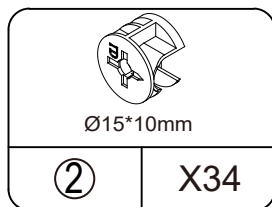


Ⓣ
LOWER LEFT/RIGHT SIDE PANEL
Qty:2

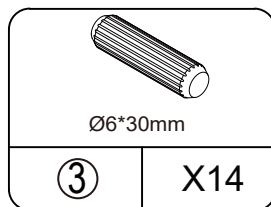
Part List



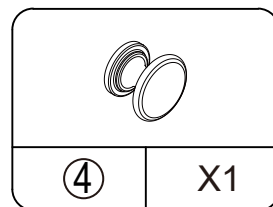
CAM BOLT
spare:2



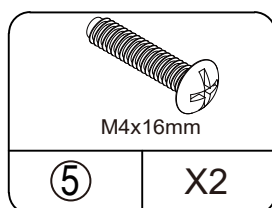
CAM LOCK
spare:2



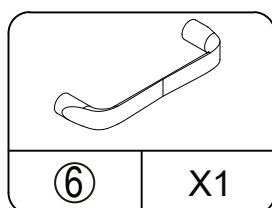
WOOD DOWEL
spare:1



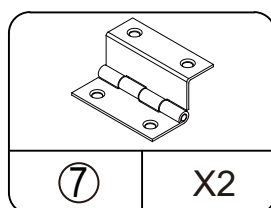
KNOB



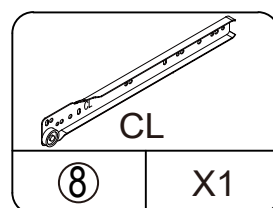
BOLT



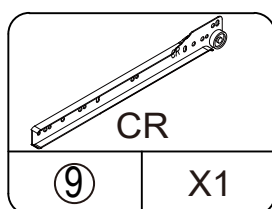
KNOB



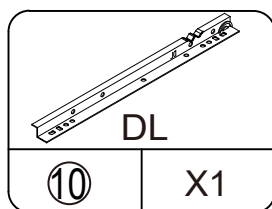
HINGE



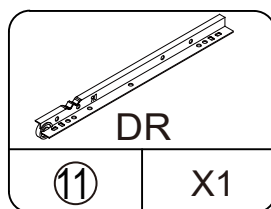
LEFT CABINET MEMBER



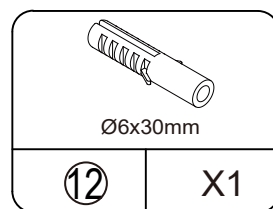
RIGHT CABINET MEMBER



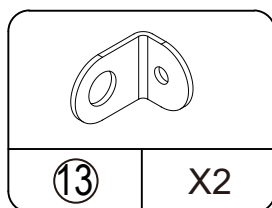
LEFT DRAWER RUNNER



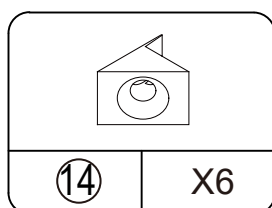
RIGHT DRAWER RUNNER



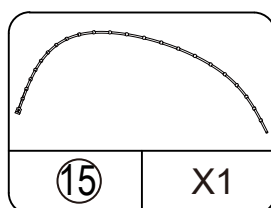
ANCHOR BOLT



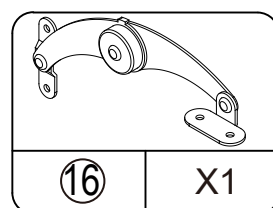
L SHAPE METAL PLATE



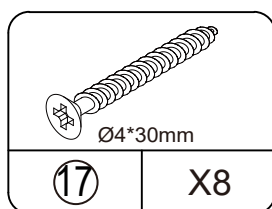
BACK PANEL BUTTON



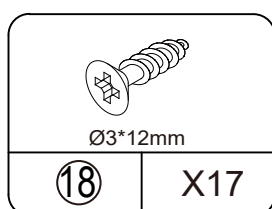
STRIP



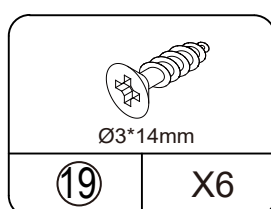
HINGE



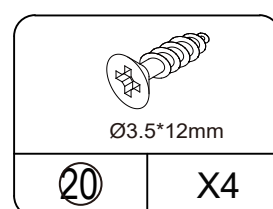
SCREW



SCREW

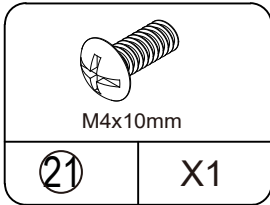


SCREW

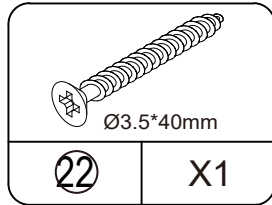


SCREW

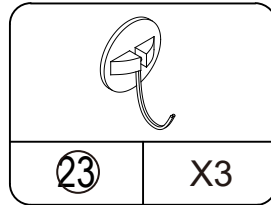
Part List



BOLT



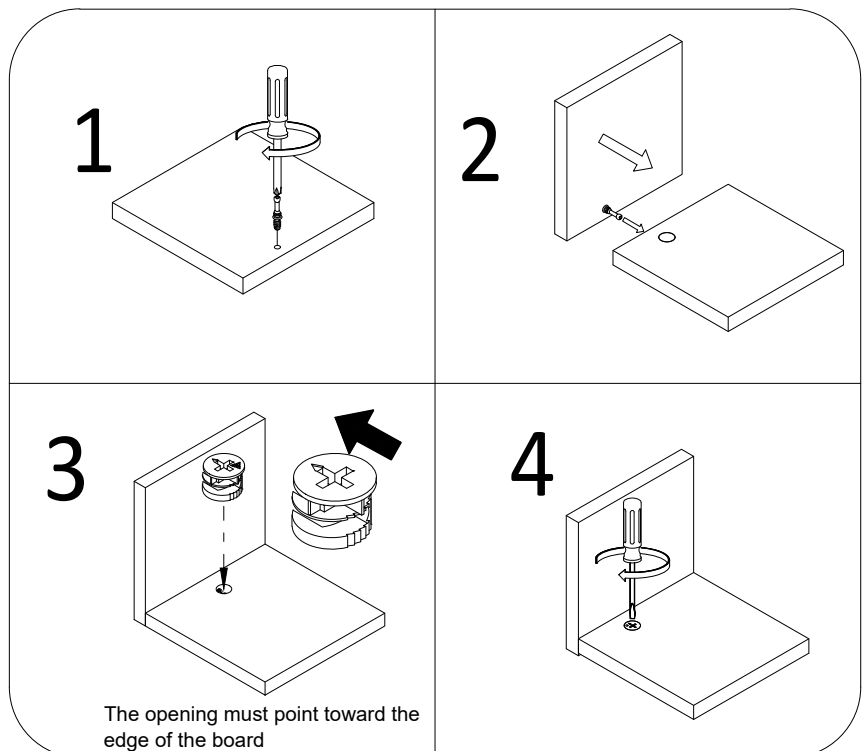
SCREW



hook

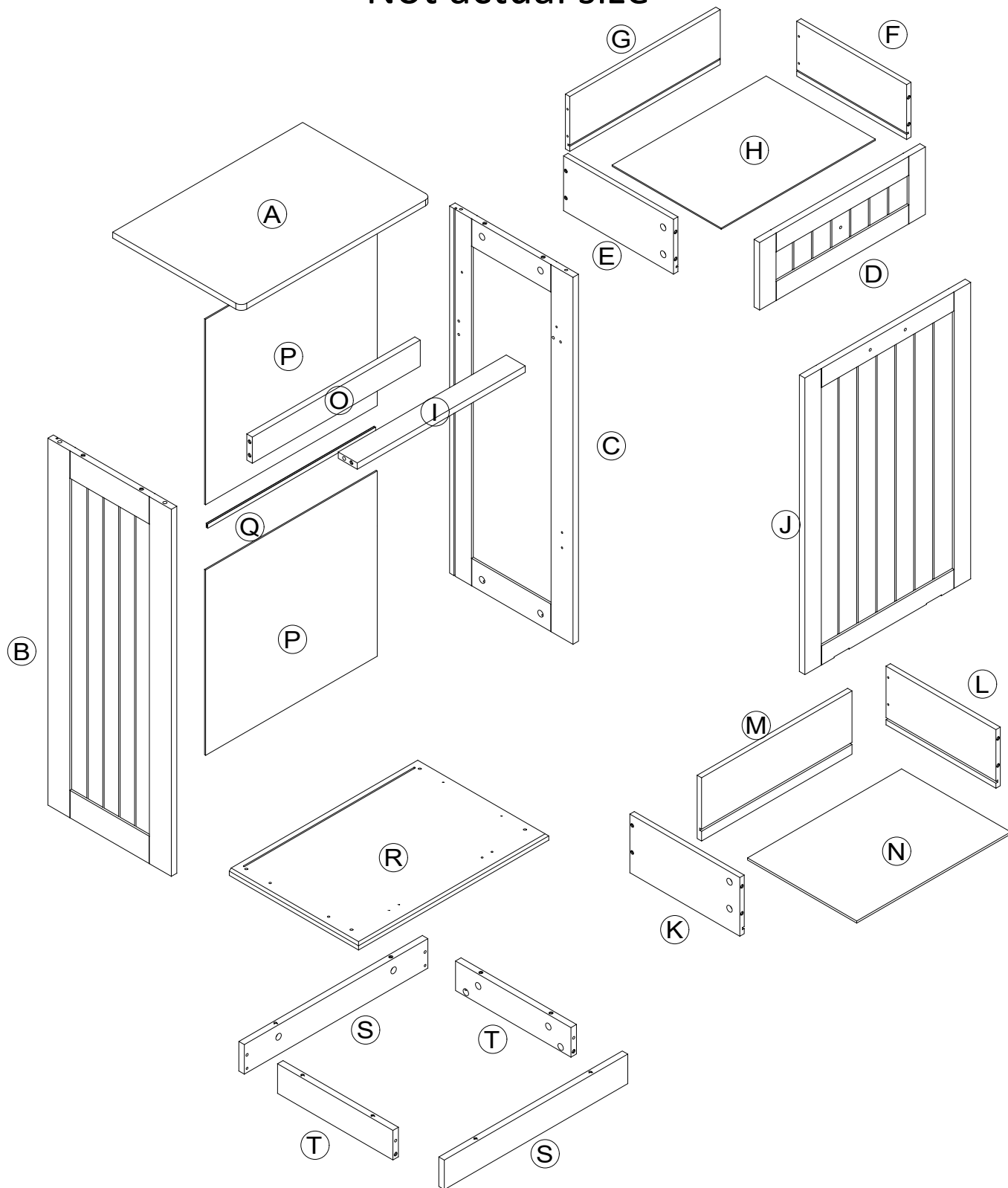
Cam Lock Fastening System

Insert the cam bolt into the hole first, then insert the cam lock and lock it.

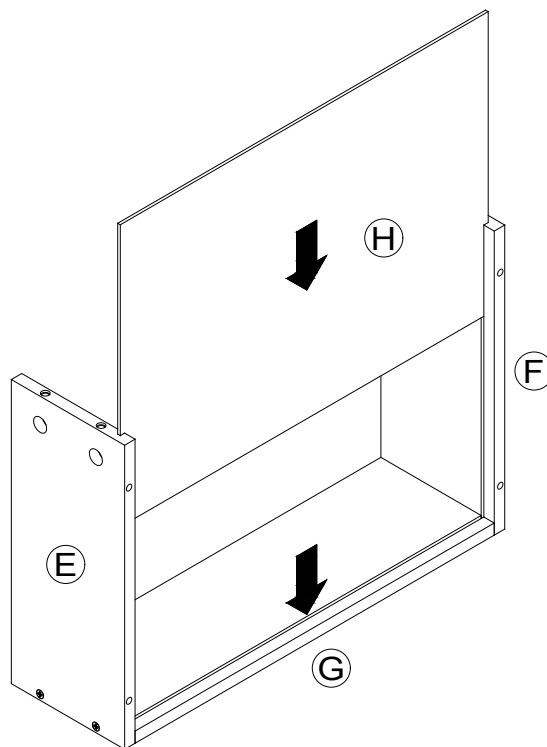
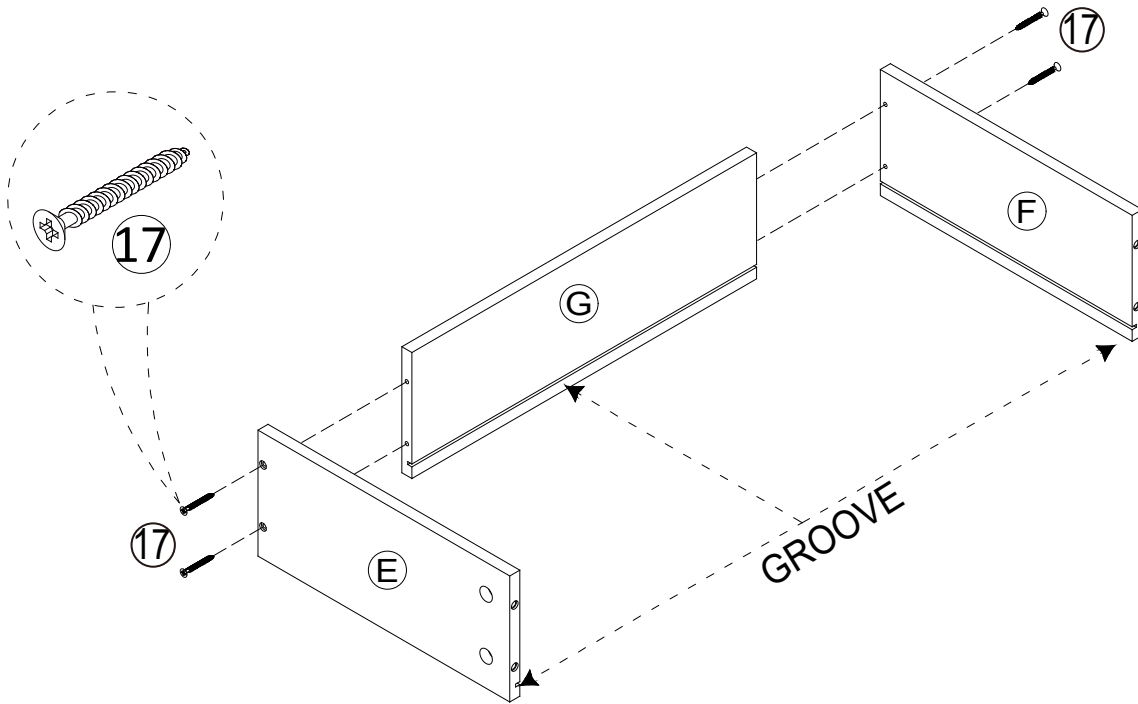
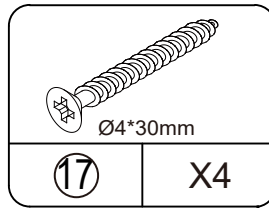
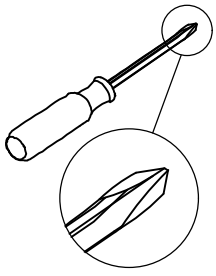


Board Identification

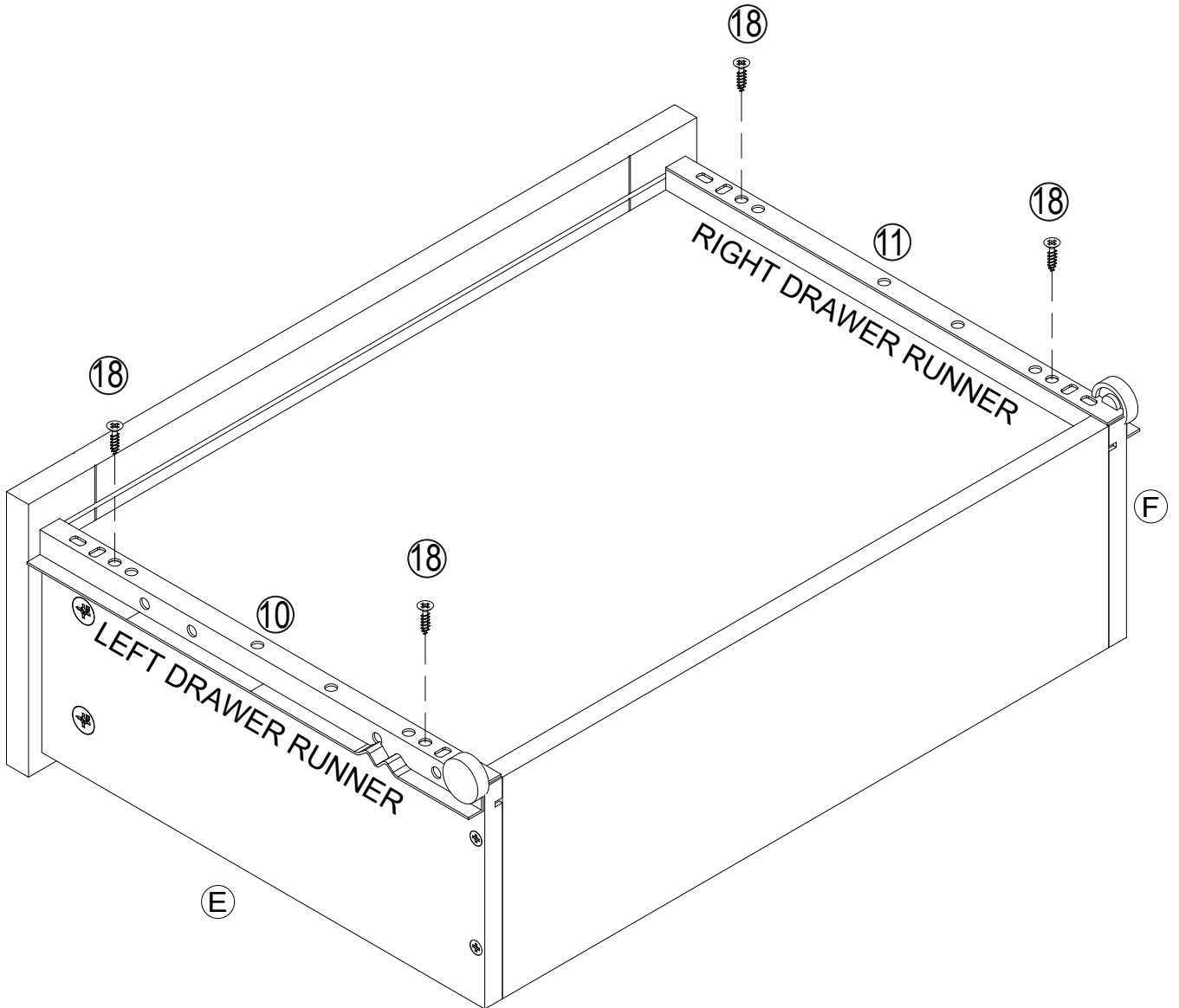
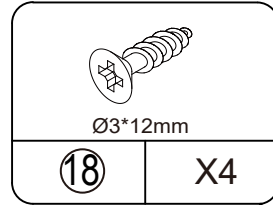
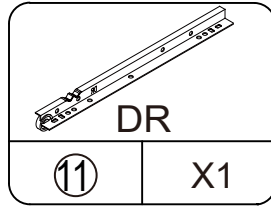
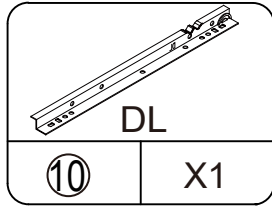
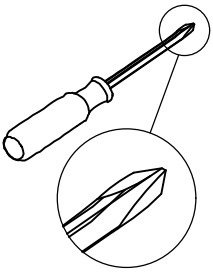
Not actual size



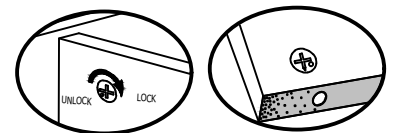
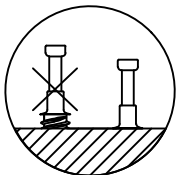
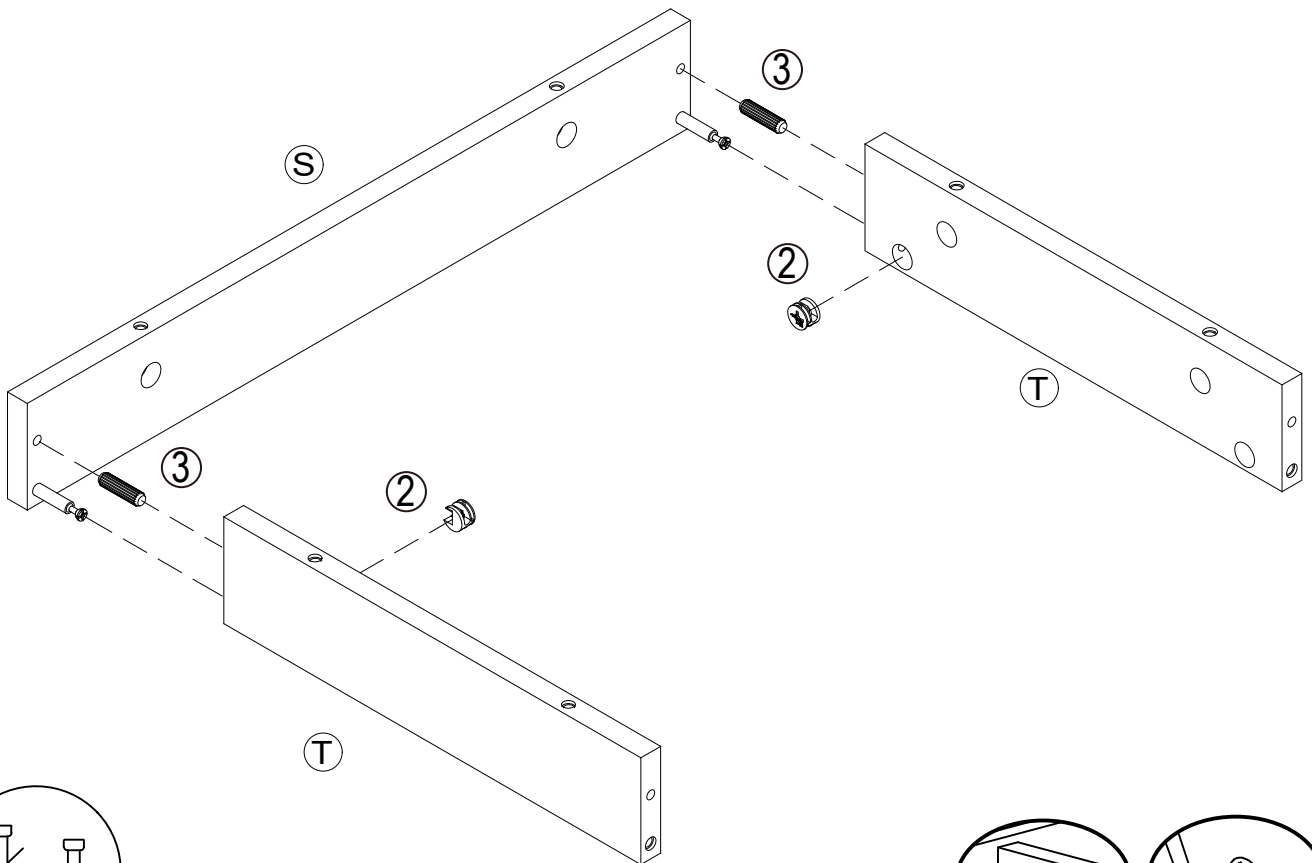
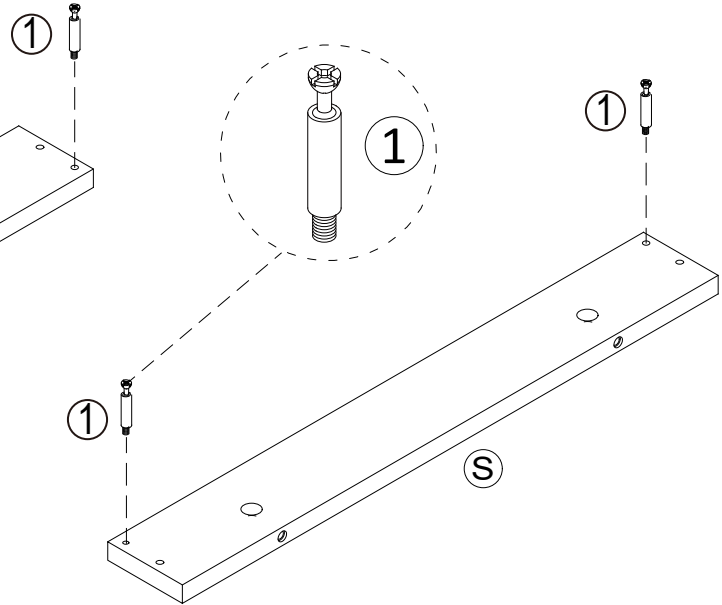
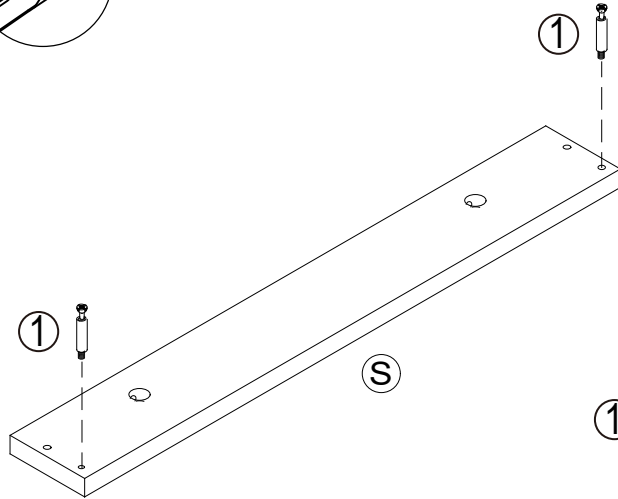
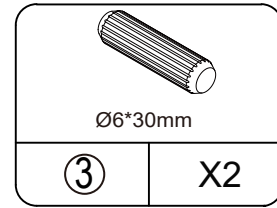
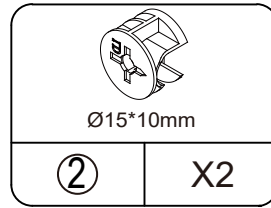
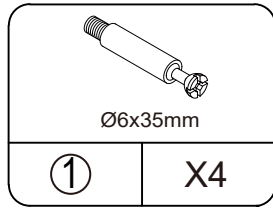
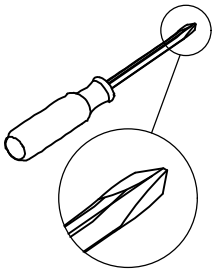
STEP 1



STEP 3

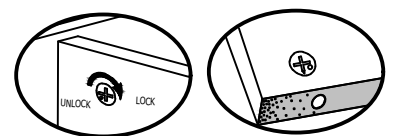
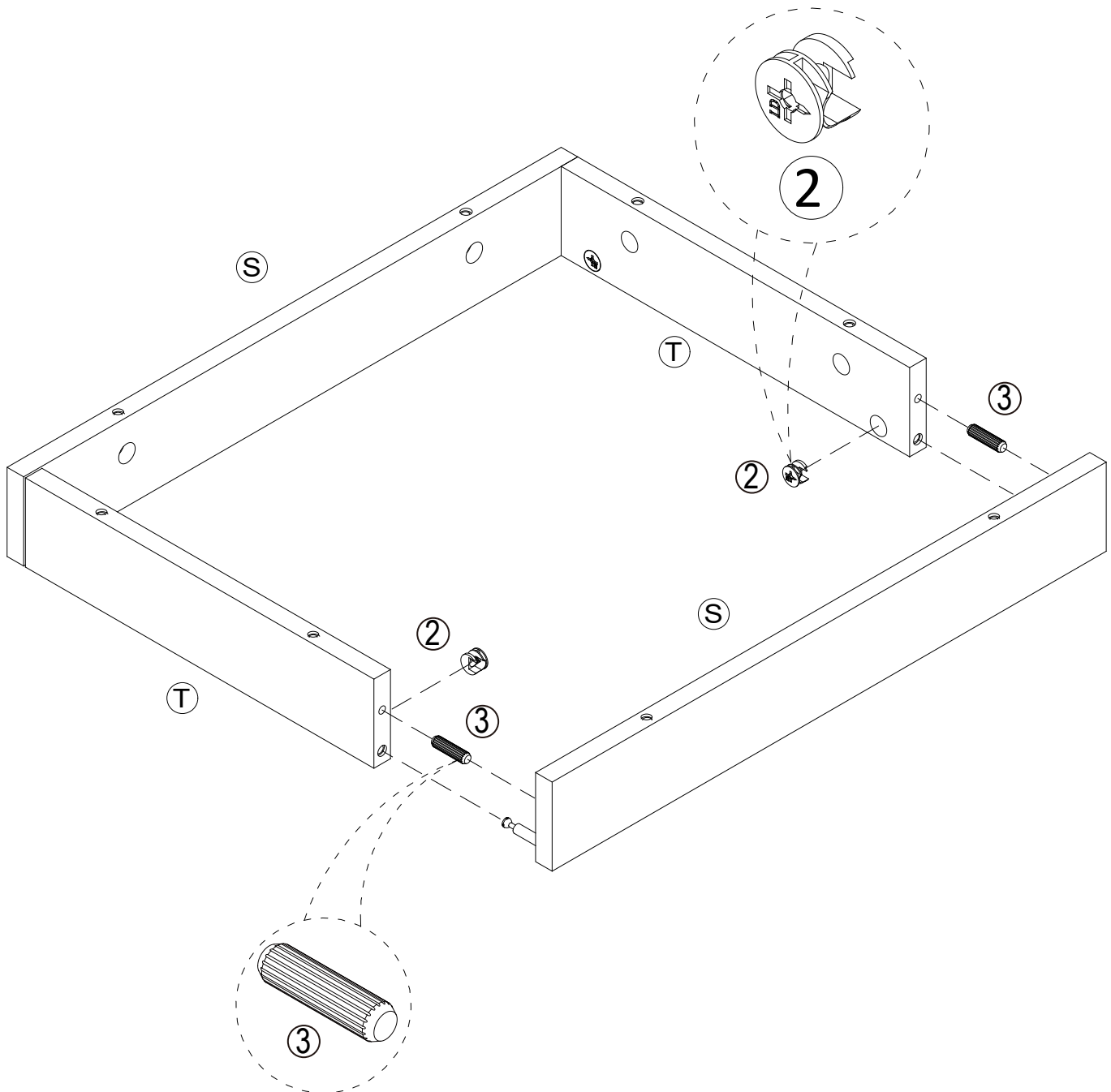
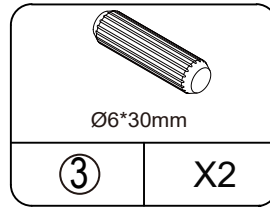
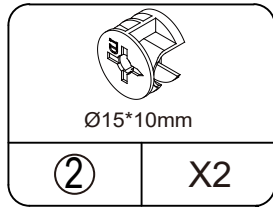
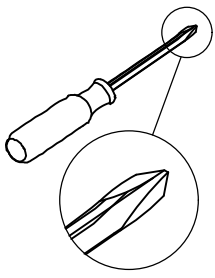


STEP 4

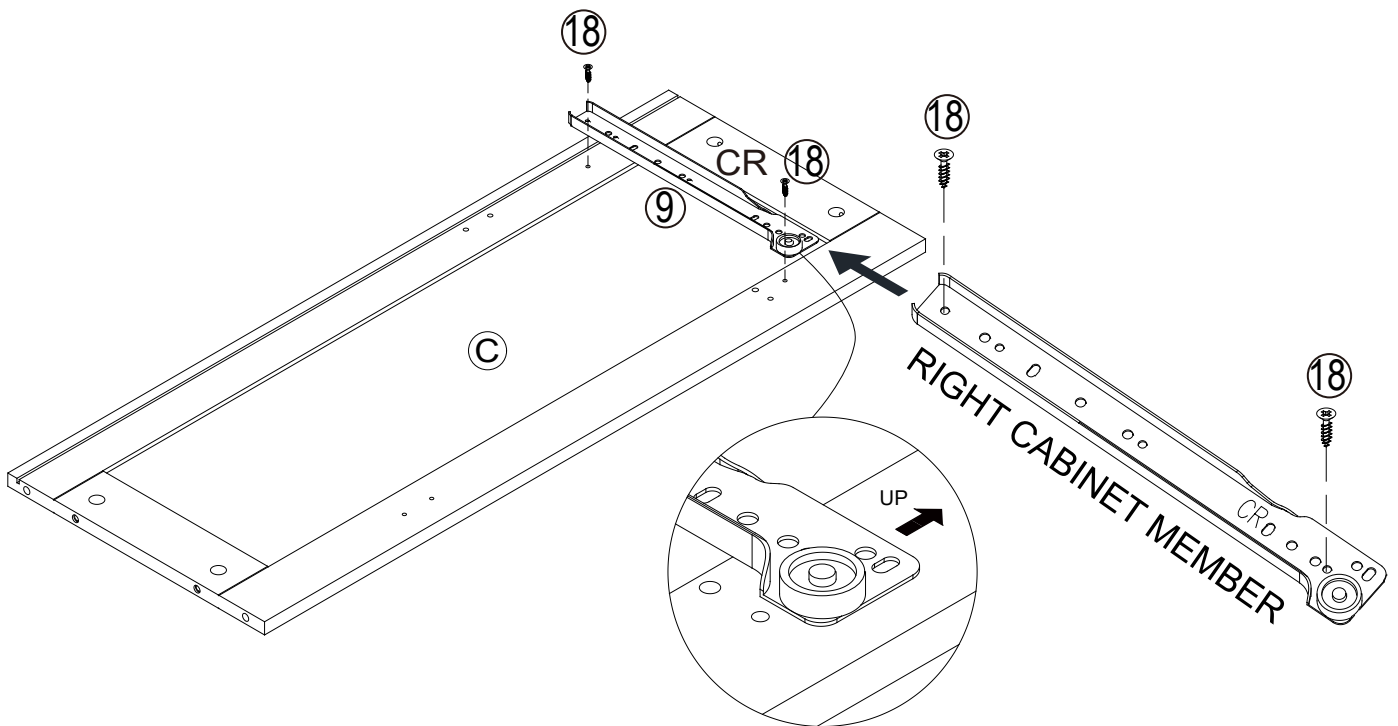
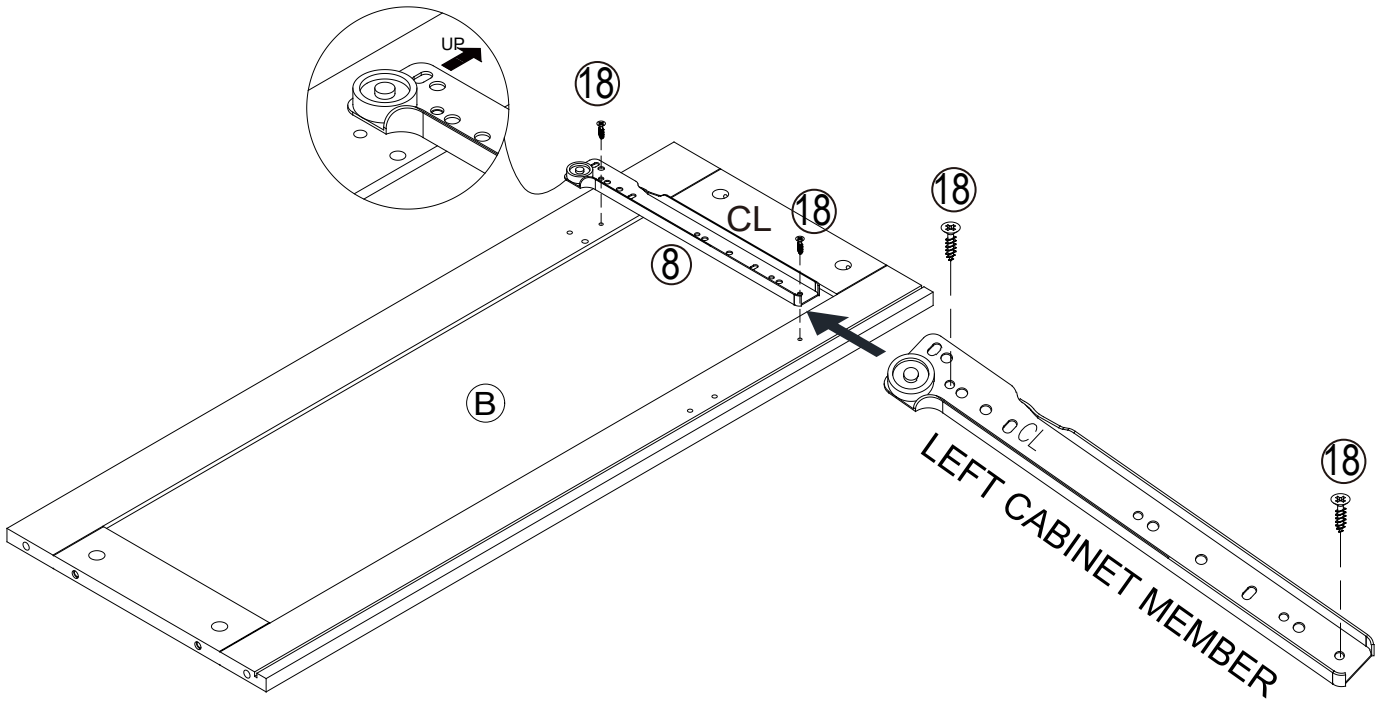
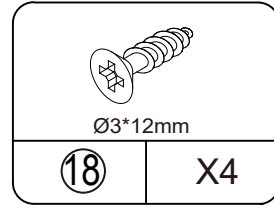
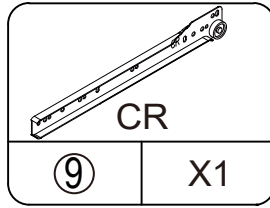
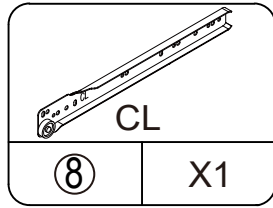
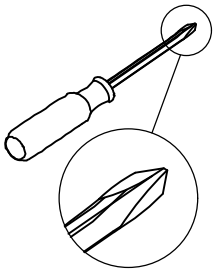


Proper orientation of CAM LOCK

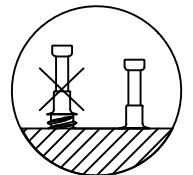
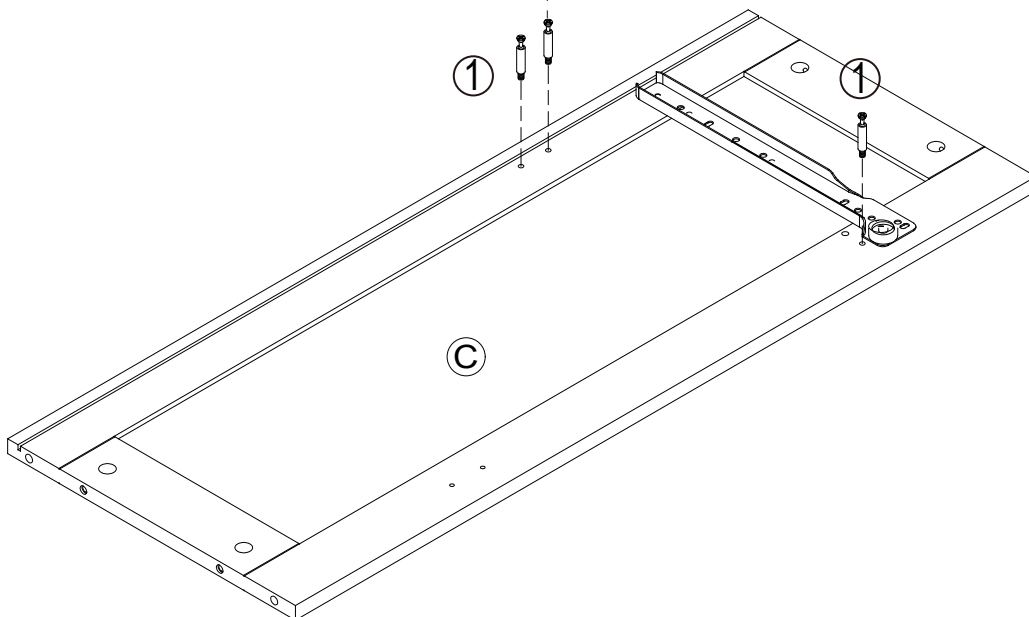
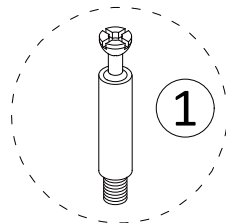
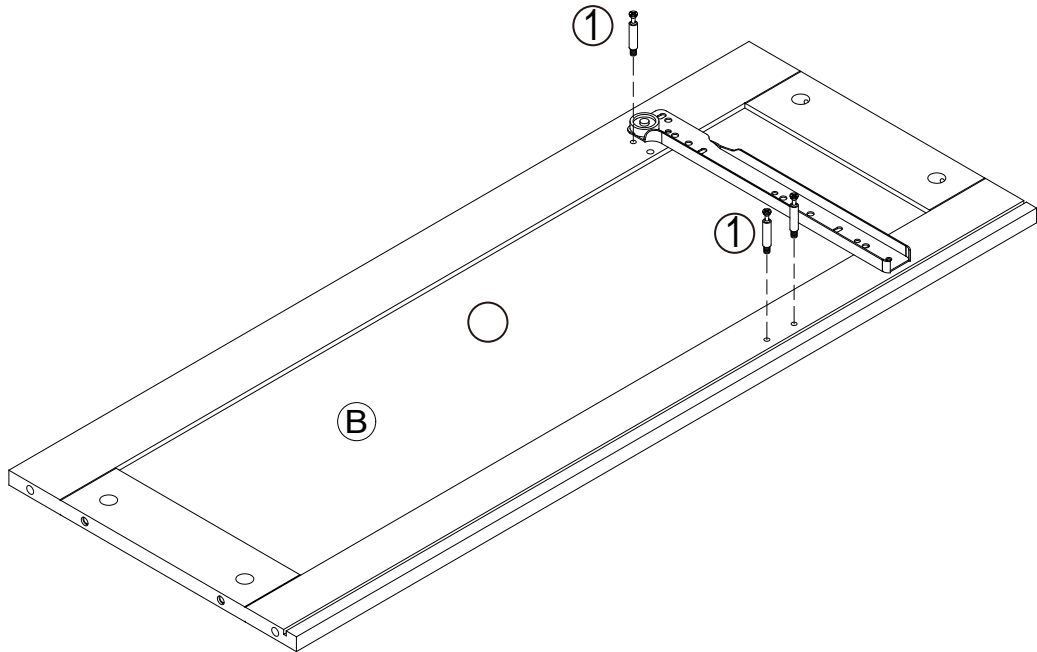
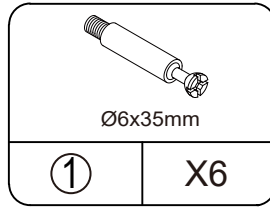
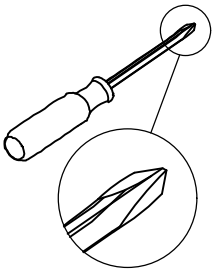
STEP 5



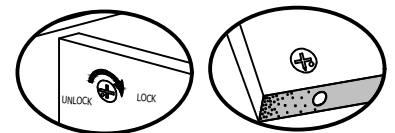
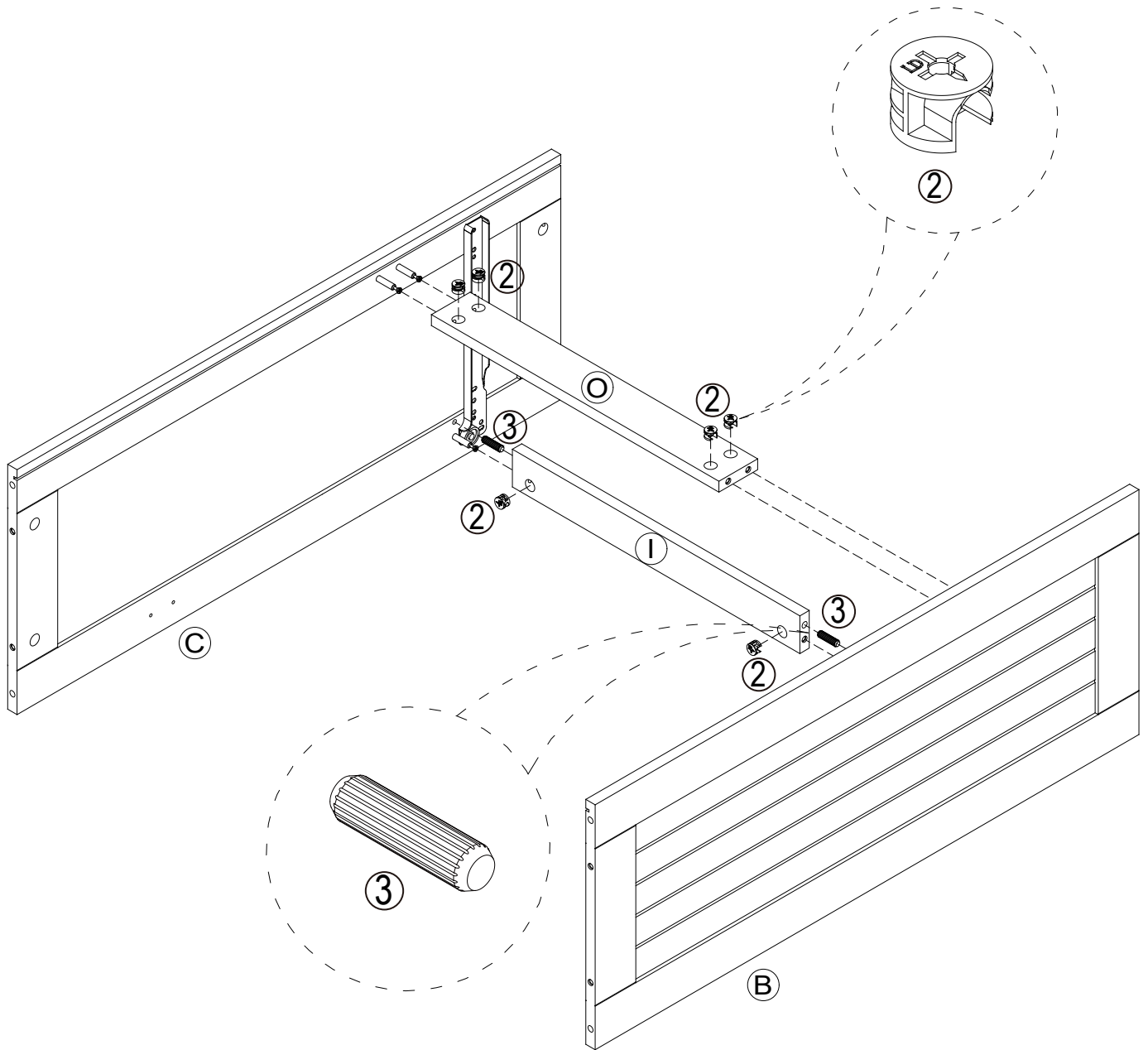
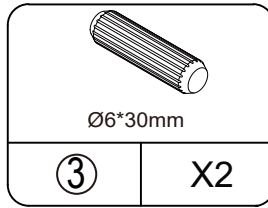
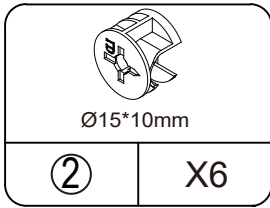
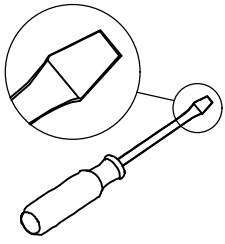
STEP 7



STEP 8

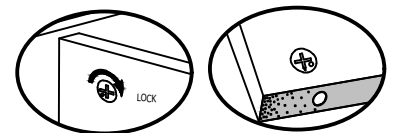
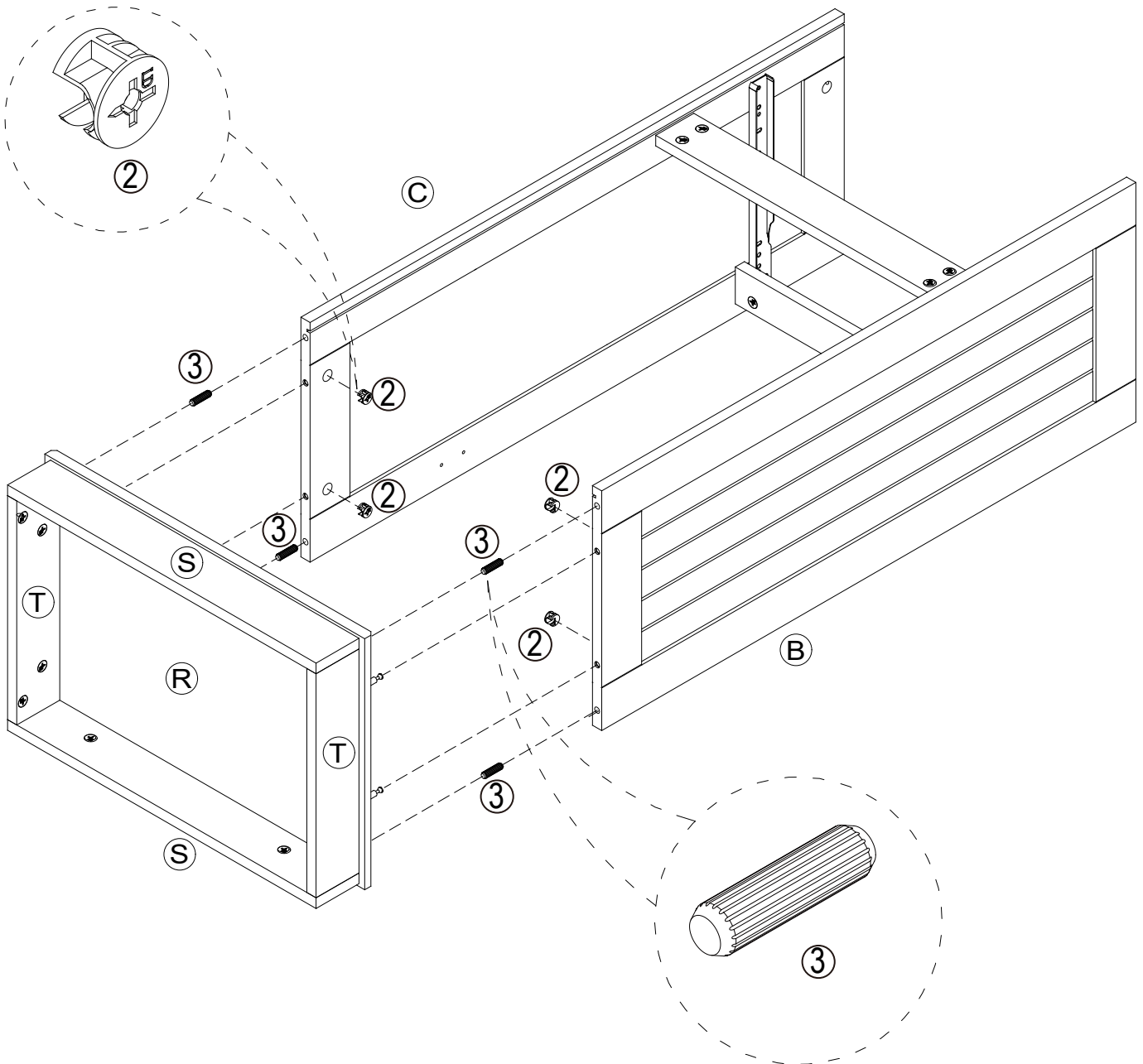
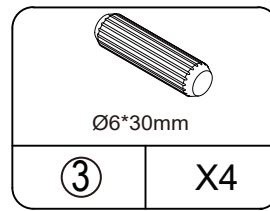
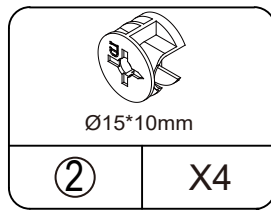
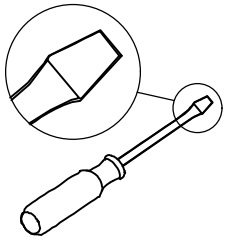


STEP 9



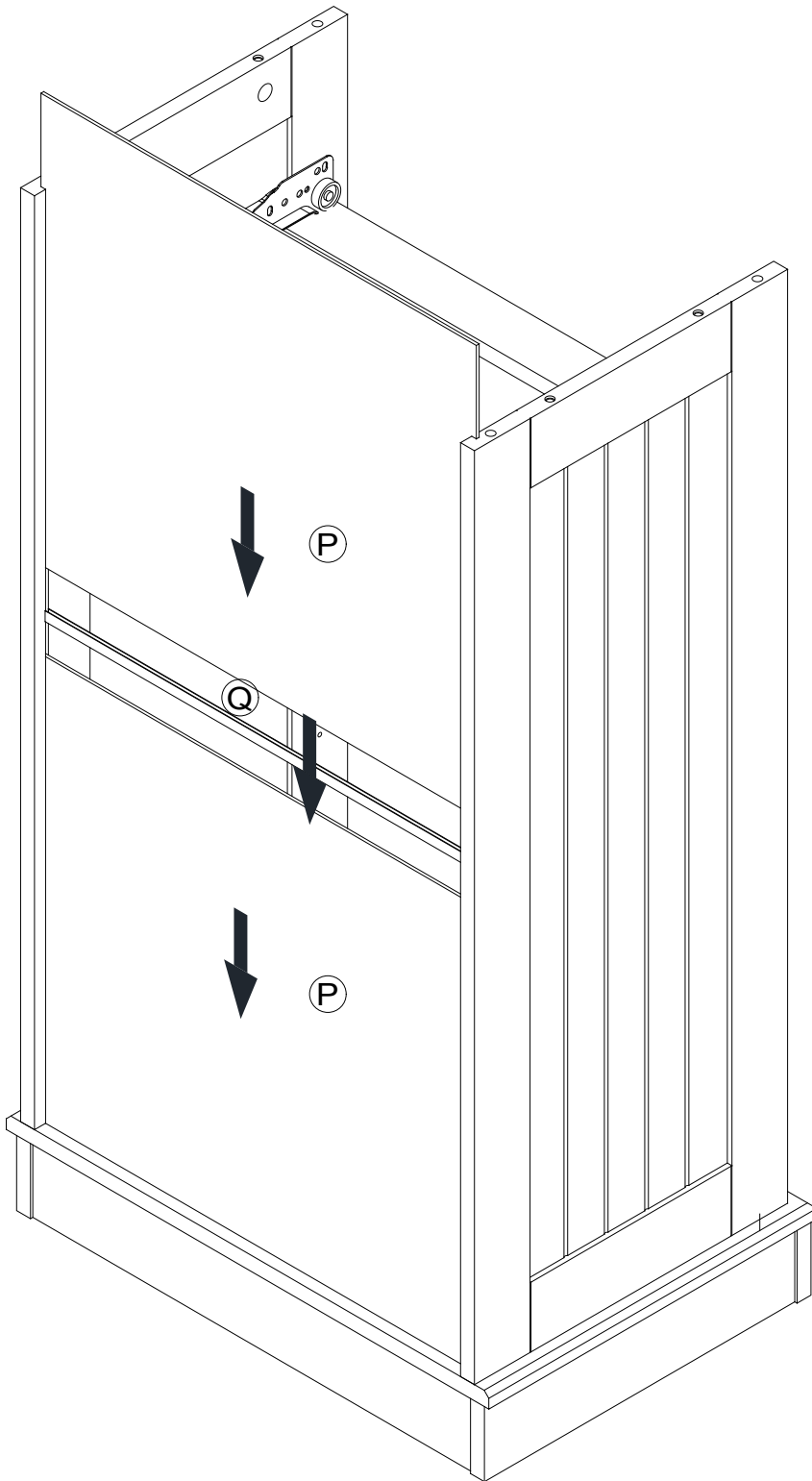
Proper orientation of CAM LOCK

STEP10

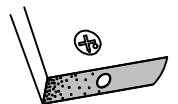
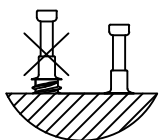
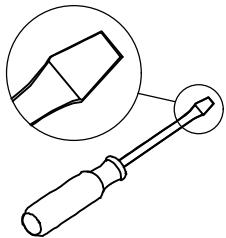
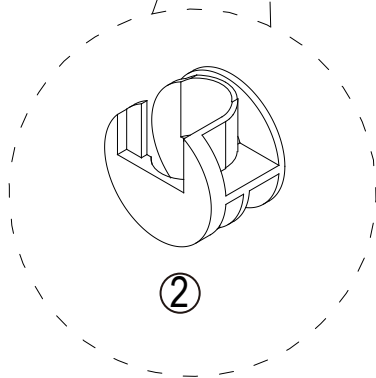
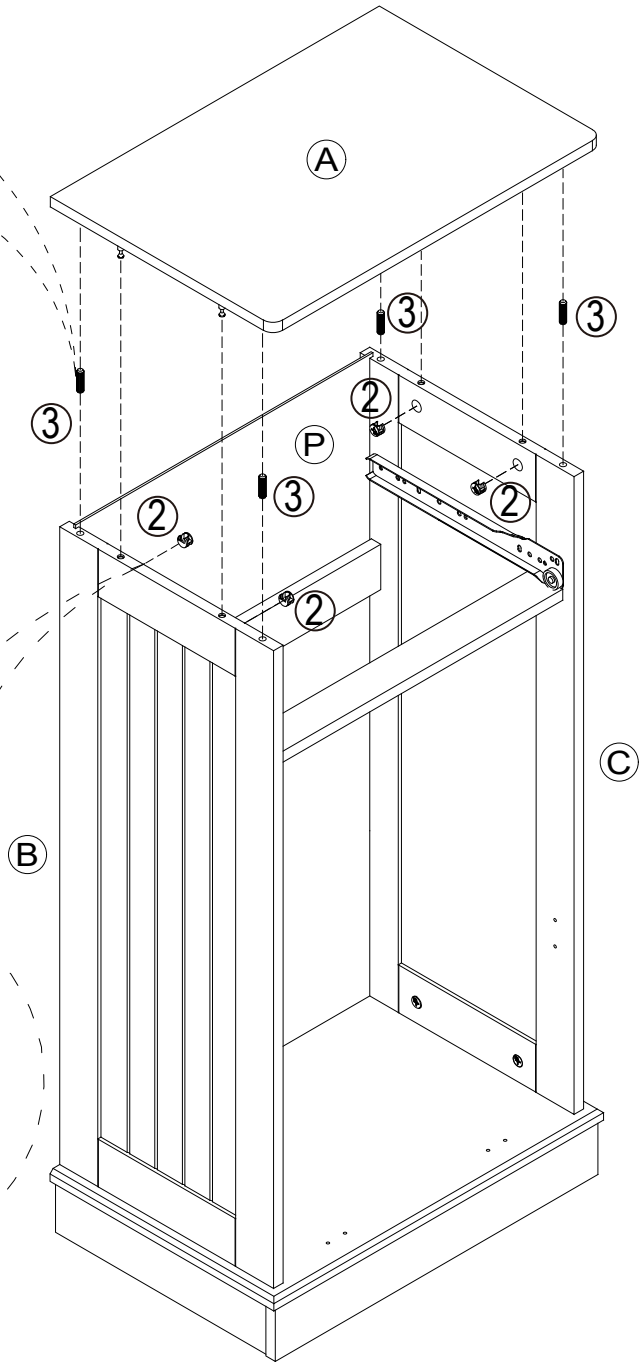
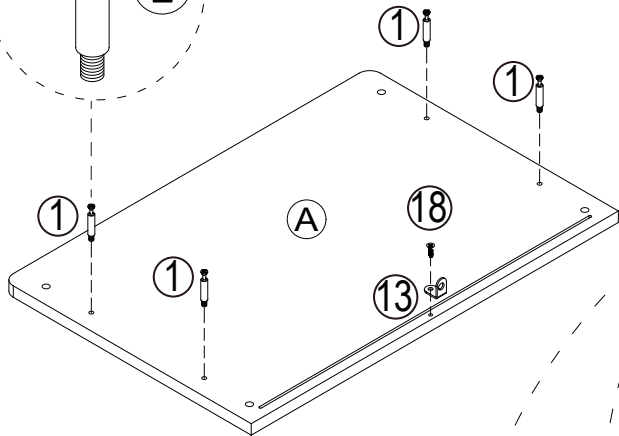
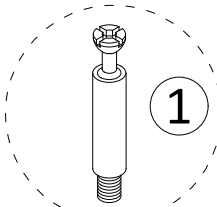
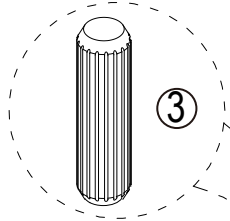
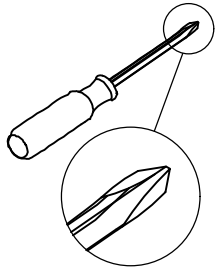
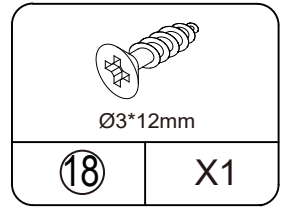
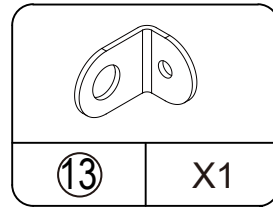
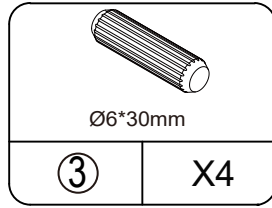
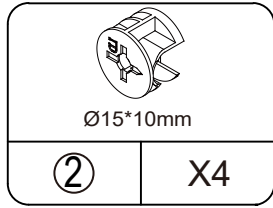
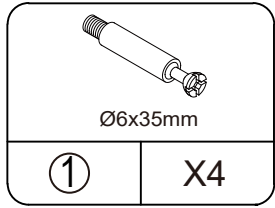


Proper orientation of CAM LOCK

STEP 11

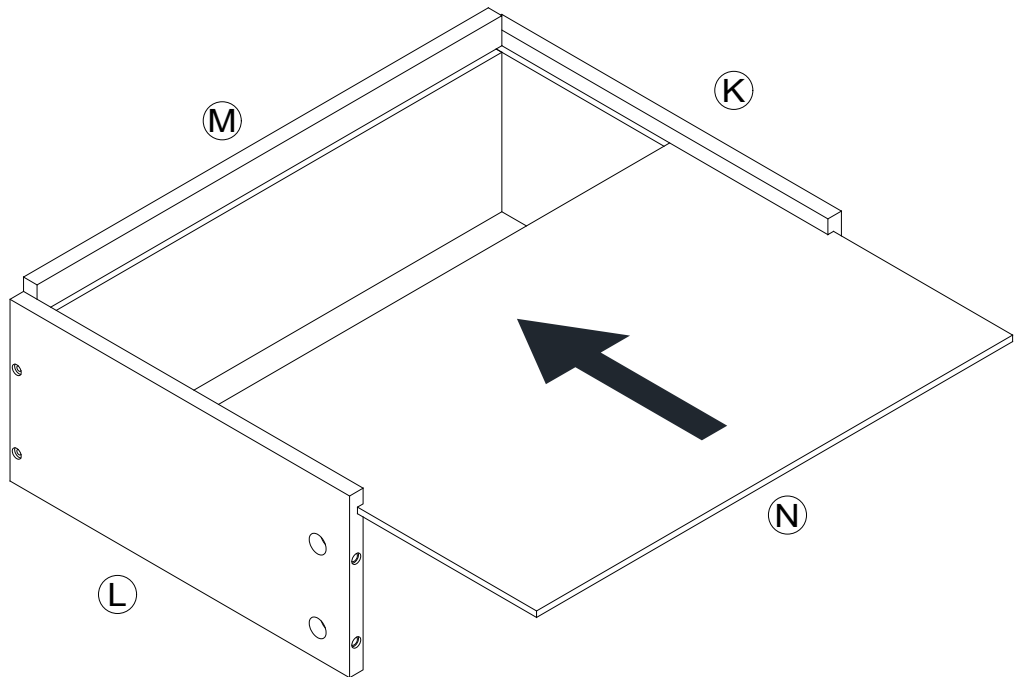
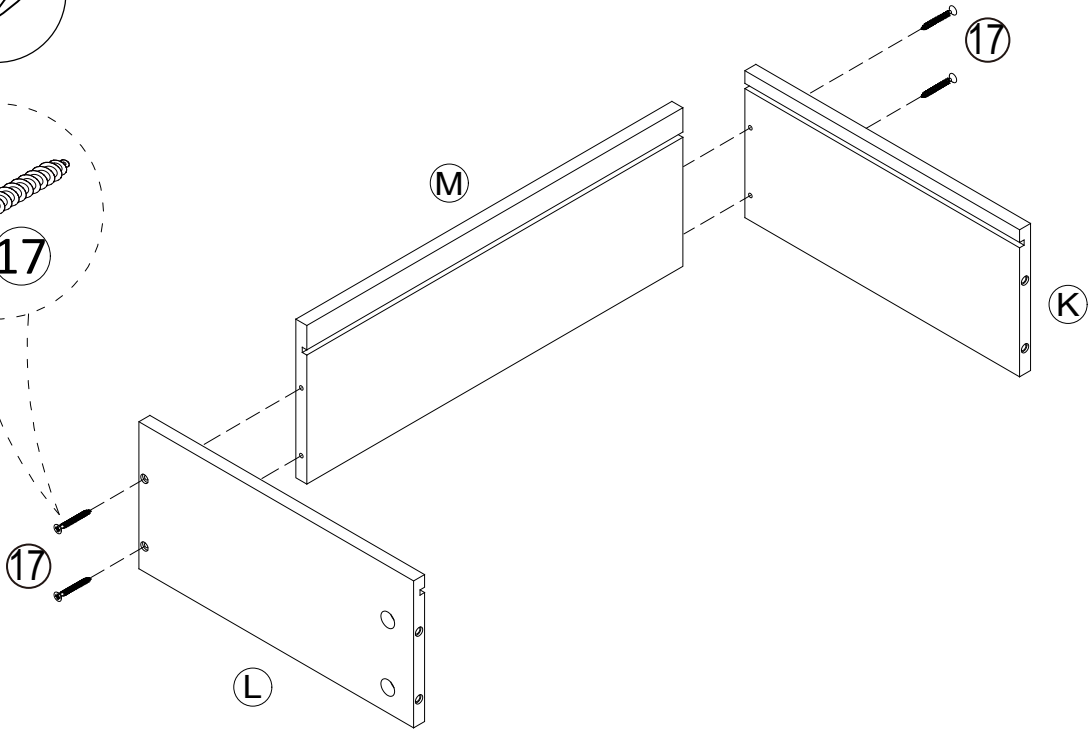
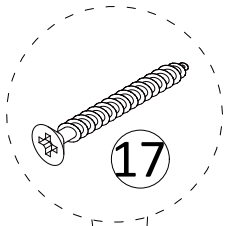
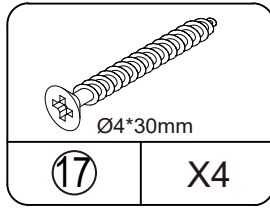
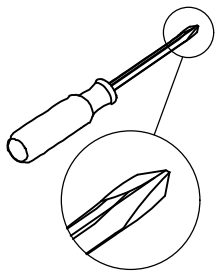


STEP 12

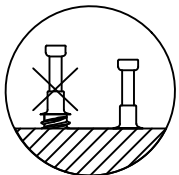
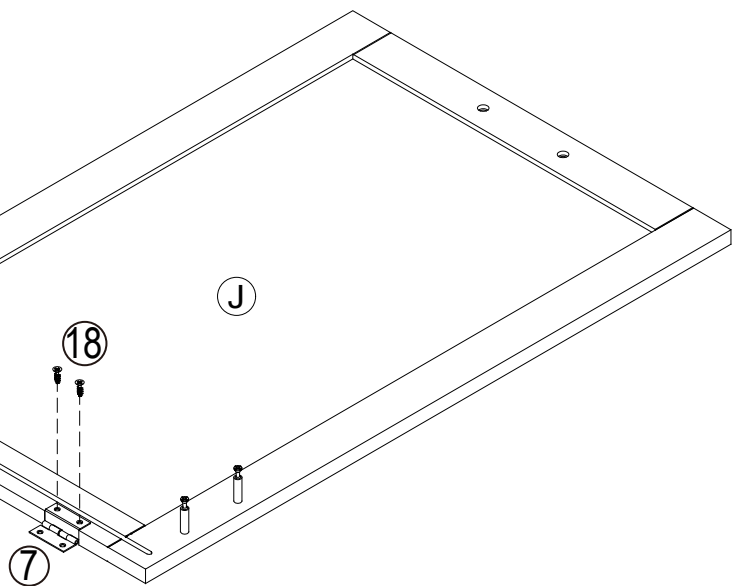
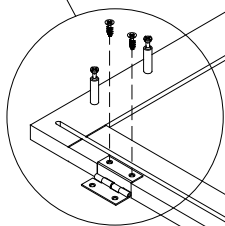
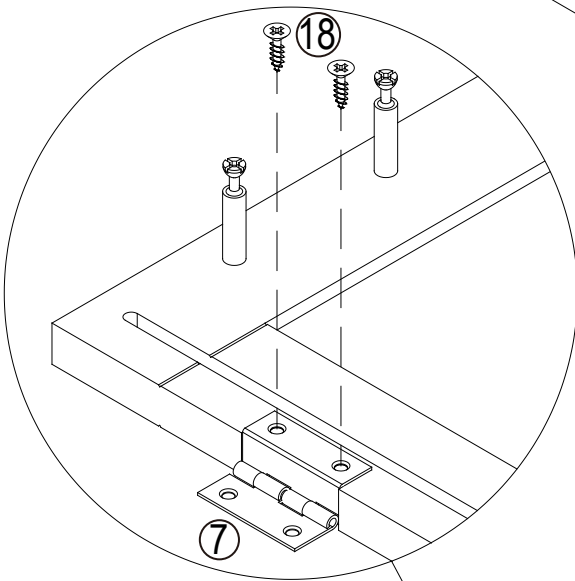
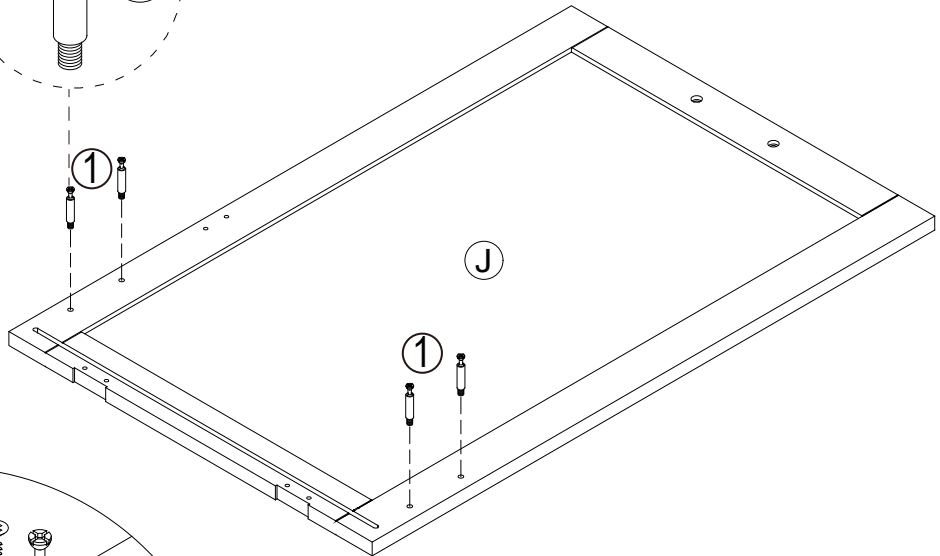
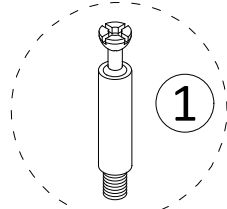
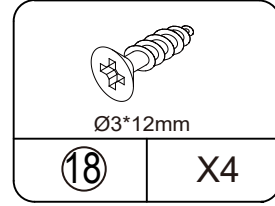
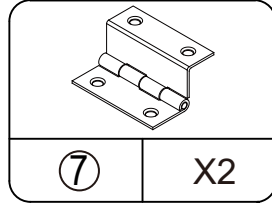
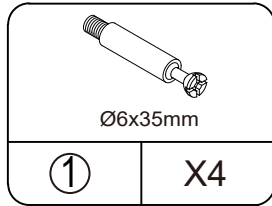
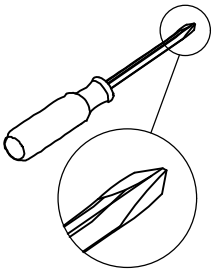


Proper orientation of CAM LOCK

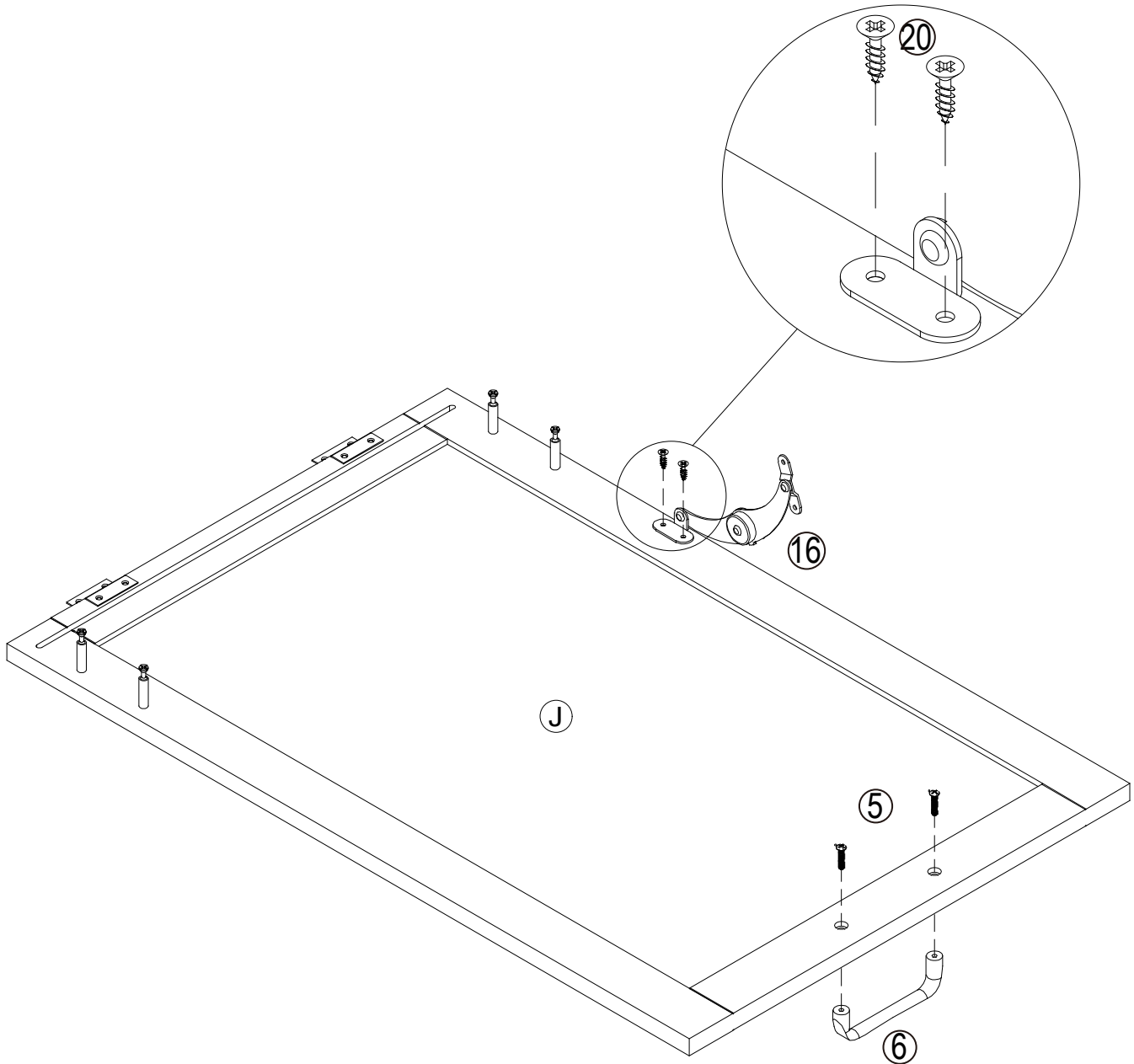
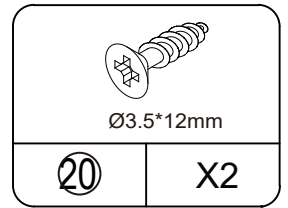
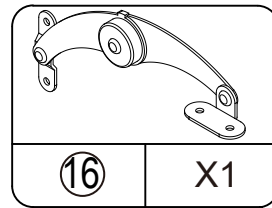
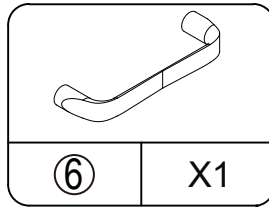
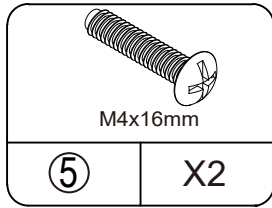
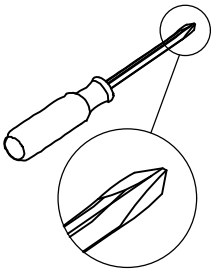
STEP 13



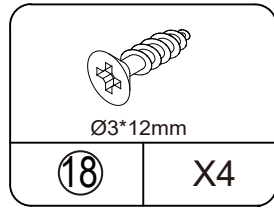
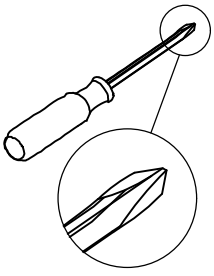
STEP14



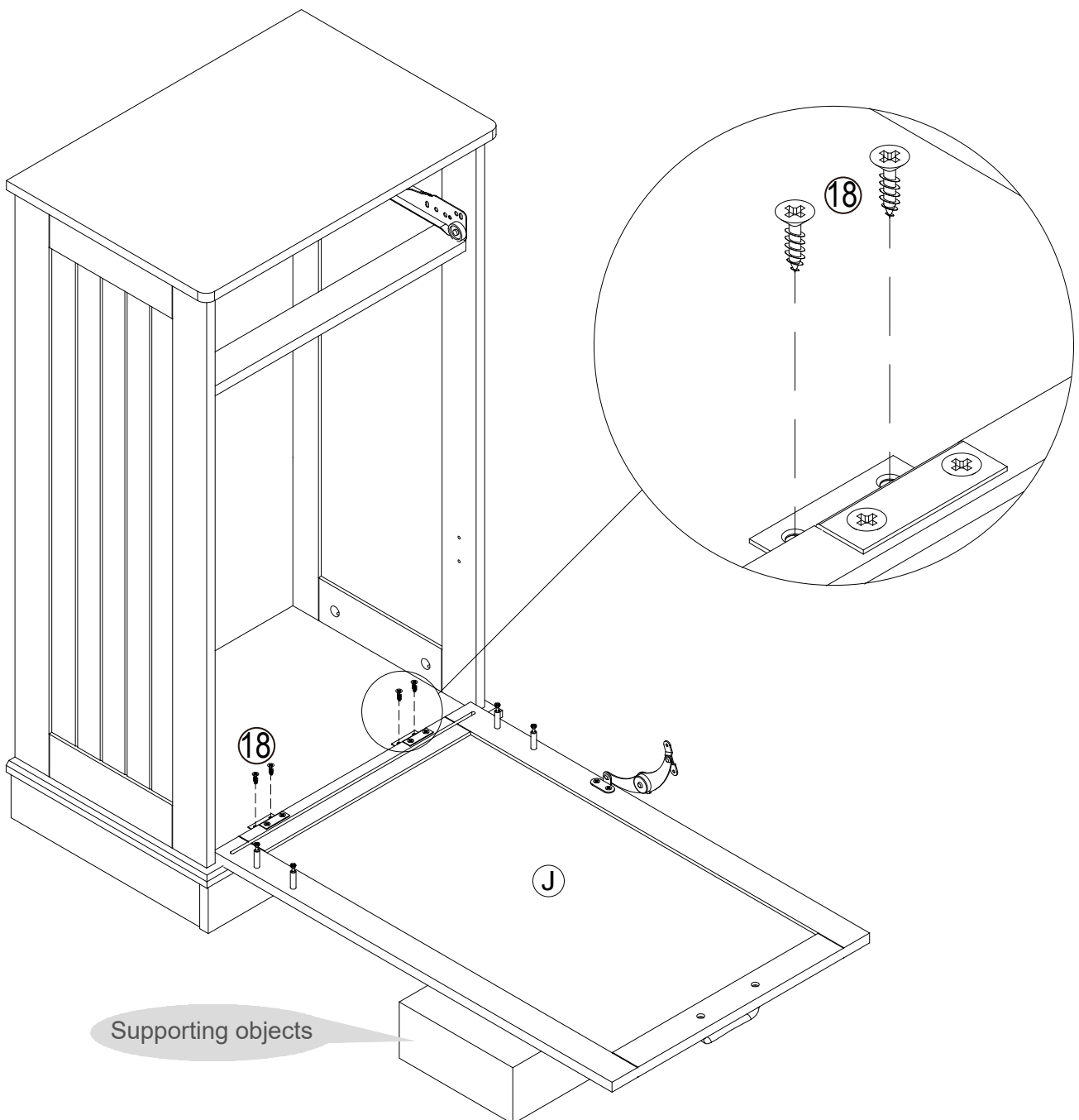
STEP15



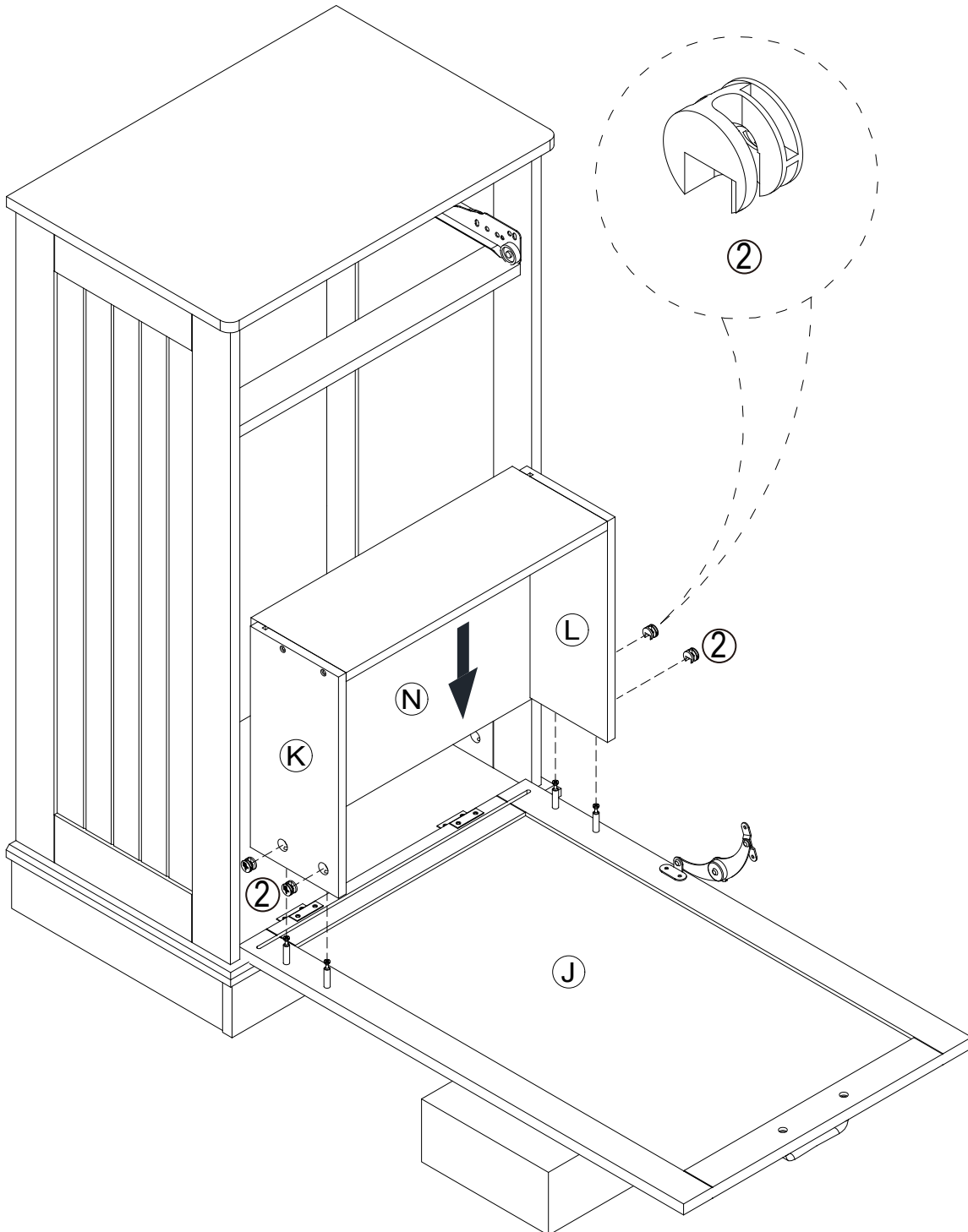
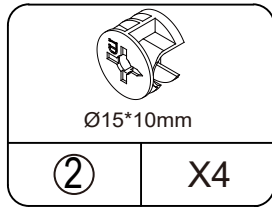
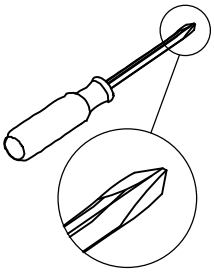
STEP16



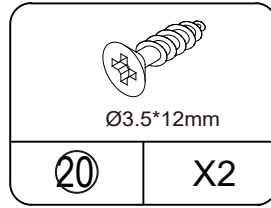
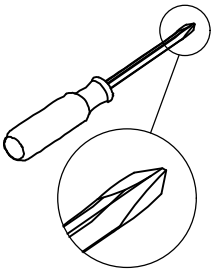
Find an object to pad under the door panel. Keeping the door panel level is more suitable for your installation.



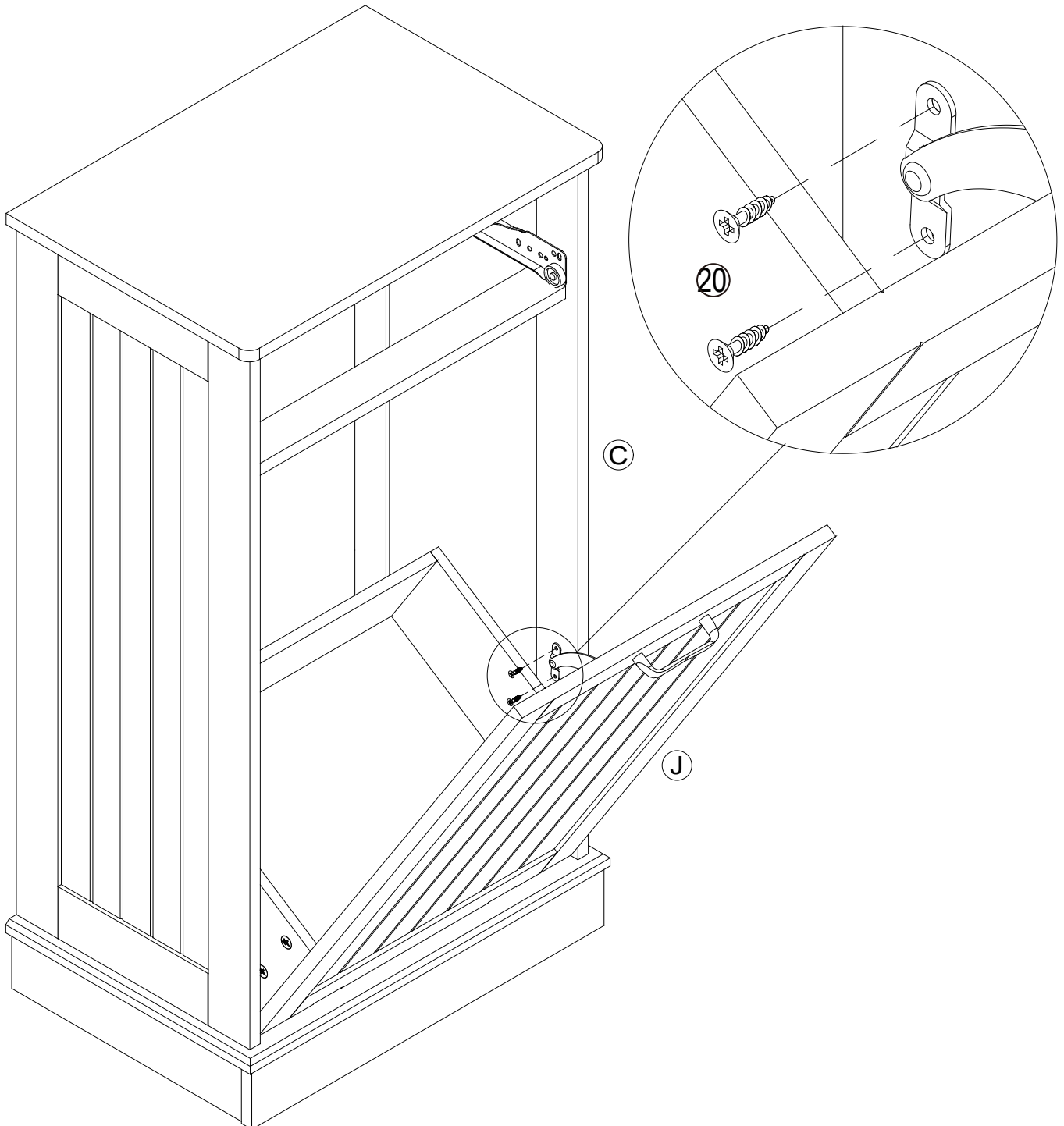
STEP 17



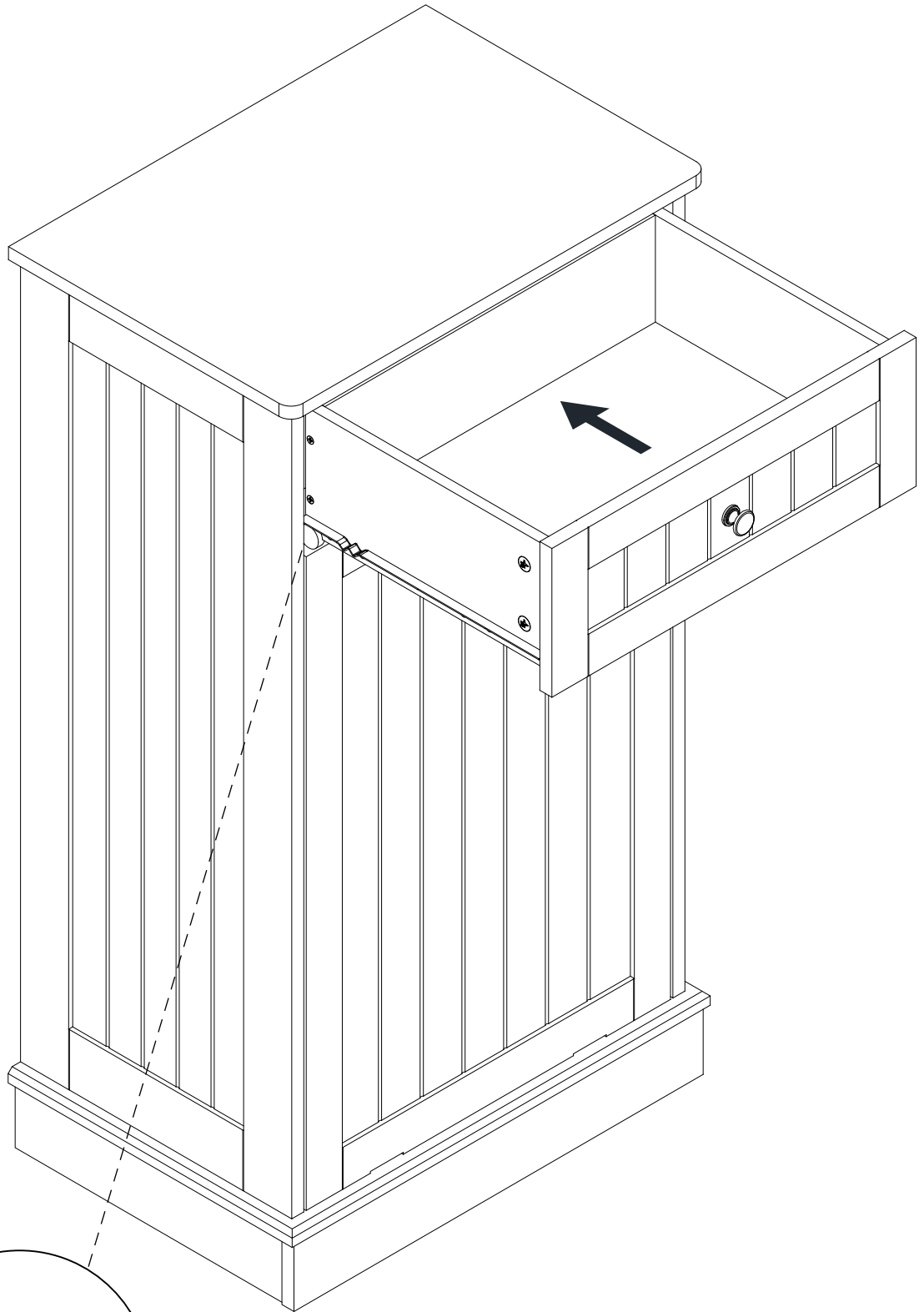
STEP18



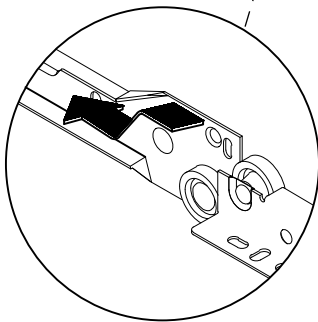
THIS STEP REQUIRES 2 PEOPLE



STEP 19

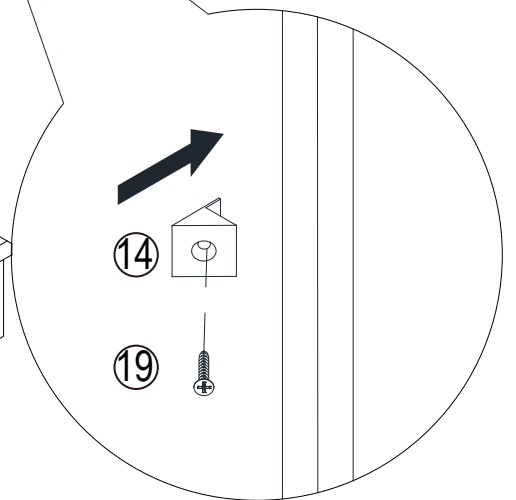
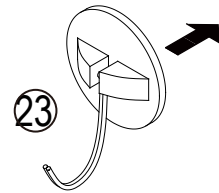
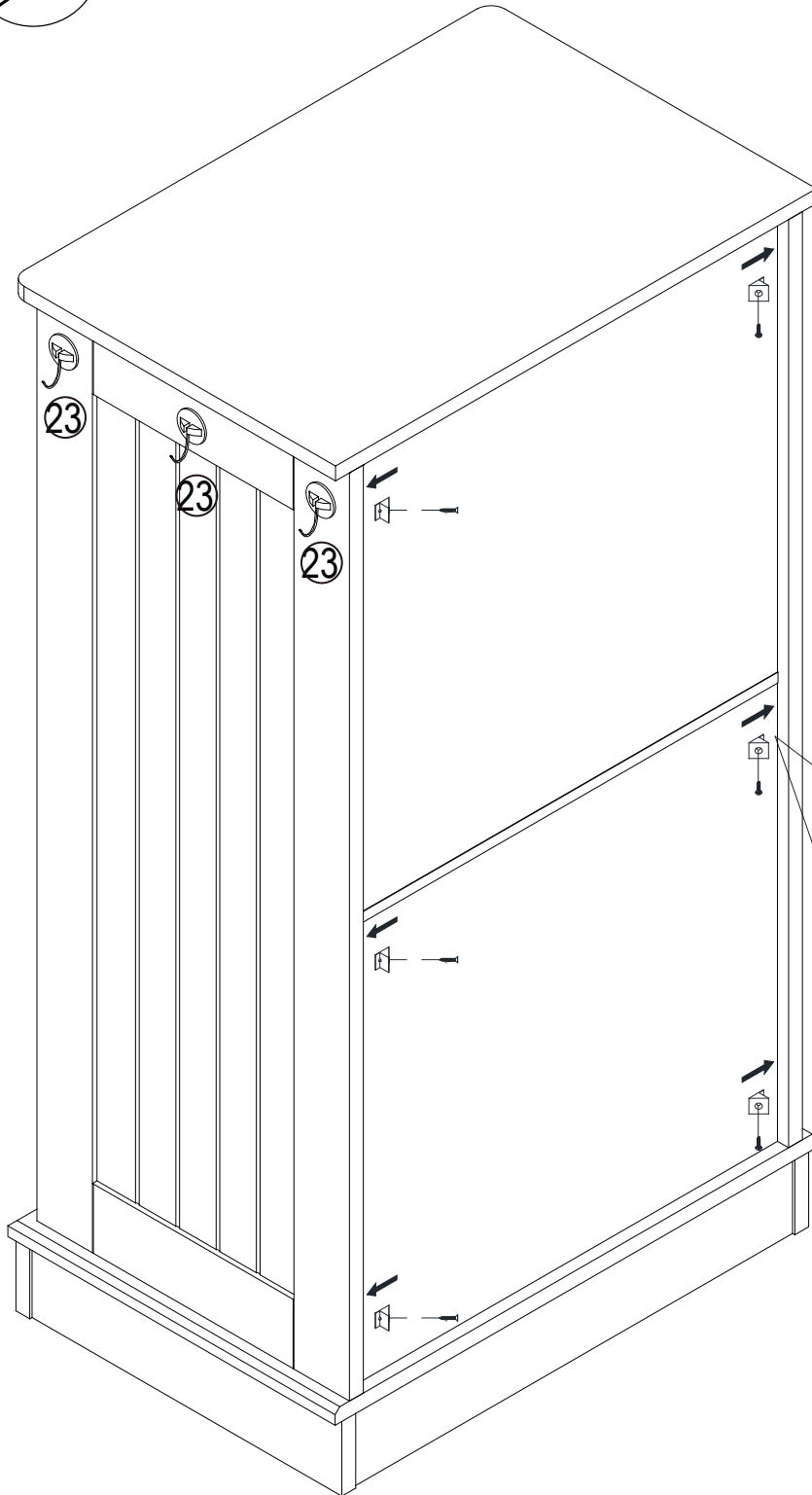
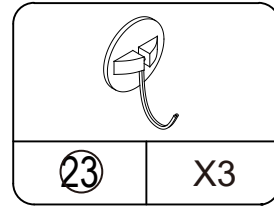
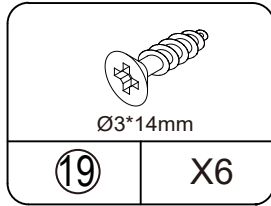
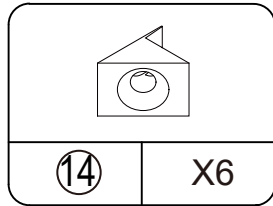
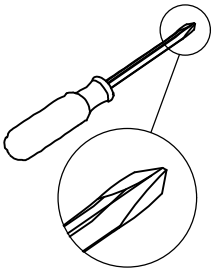


Cabinet Slide



Drawer Slide

STEP 20



STEP21

