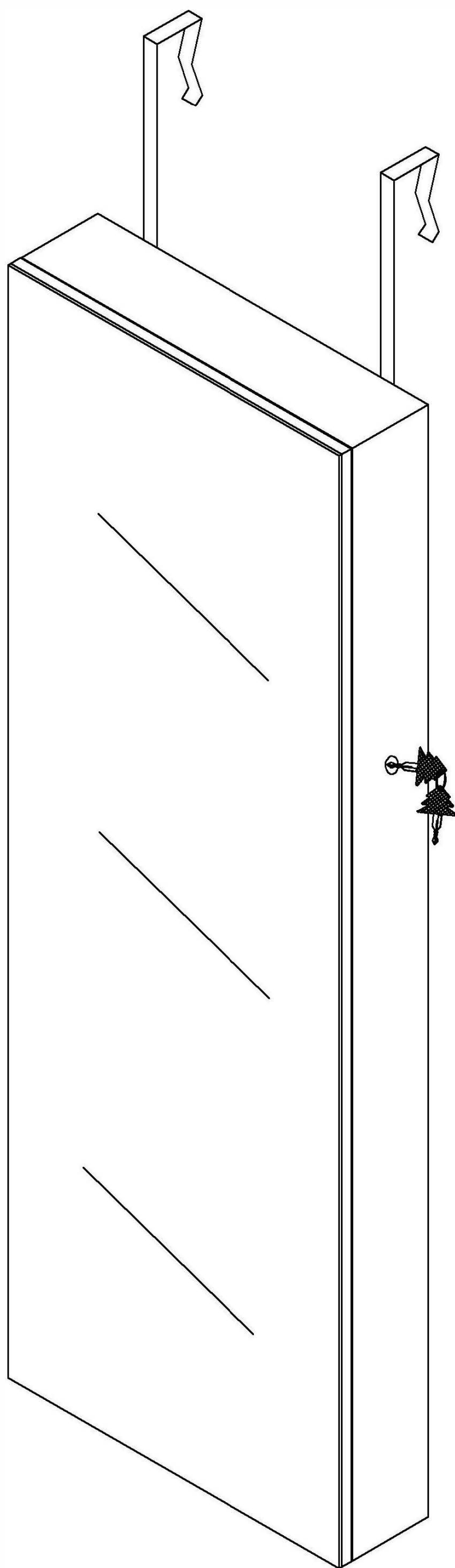


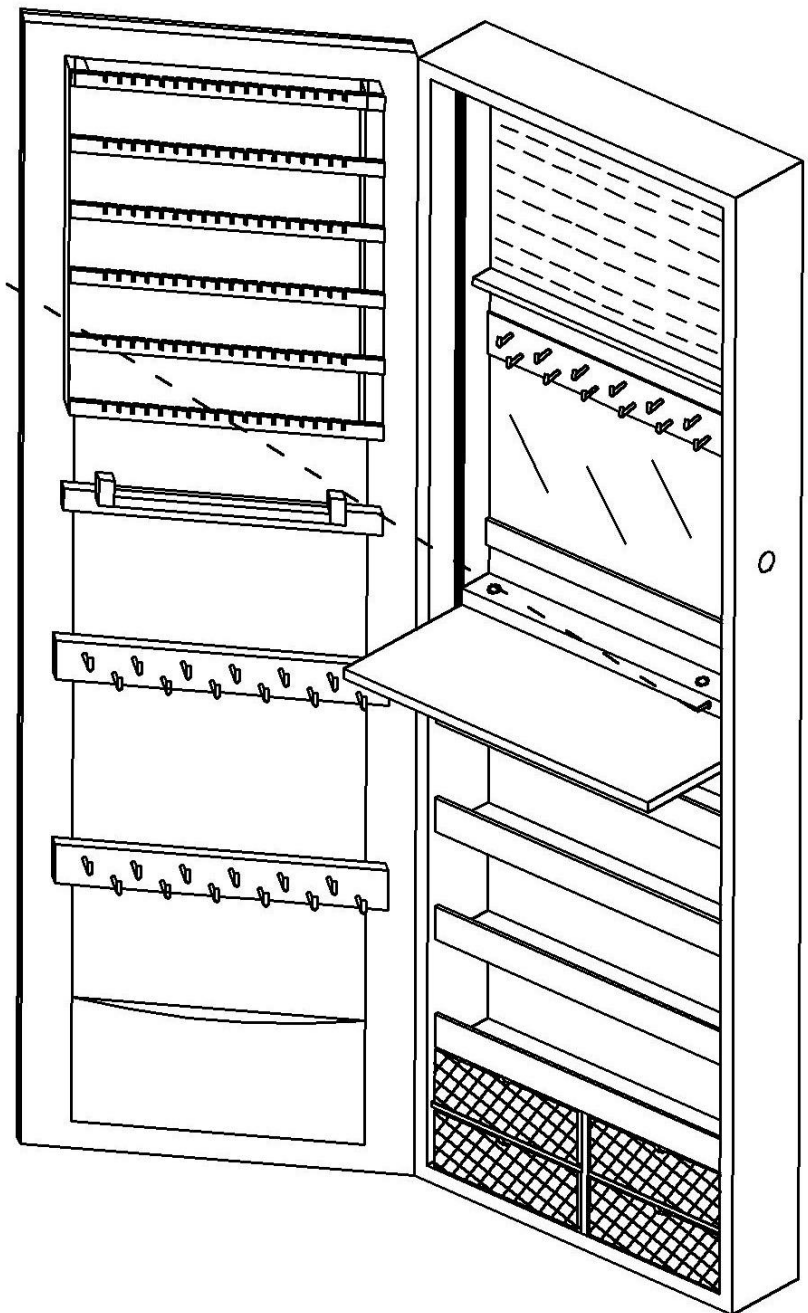
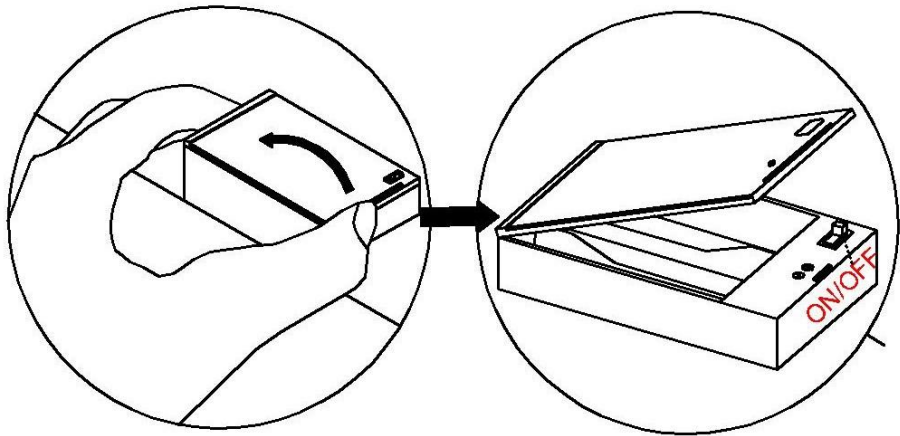
MIRROR JEWELLERY CABINET






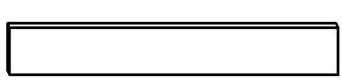
A		screw(6*16mm)	4 Pcs
B		The key	1 Pcs
C		Hook	2 Pcs
D		Self tapping wire(4x45mm)	2 Pcs
E		Colloidal granules	2 Pcs
F		Sponge gasket	4 Pcs
G		Adhesive Velcro	1 Pcs

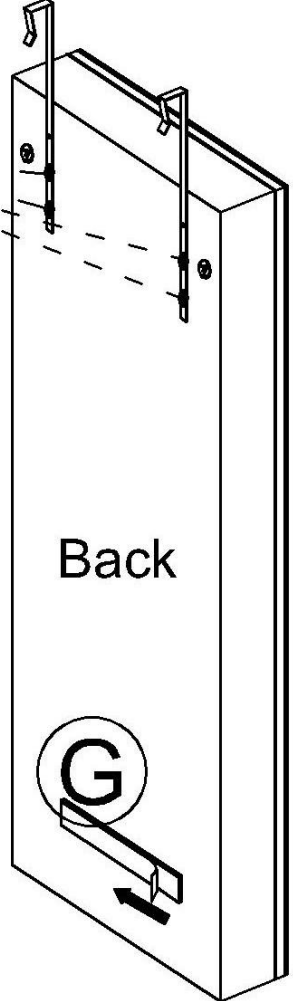
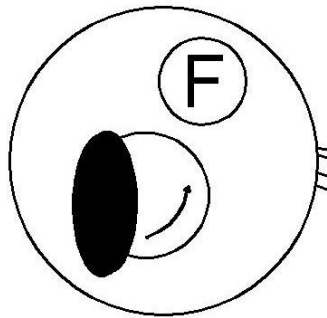
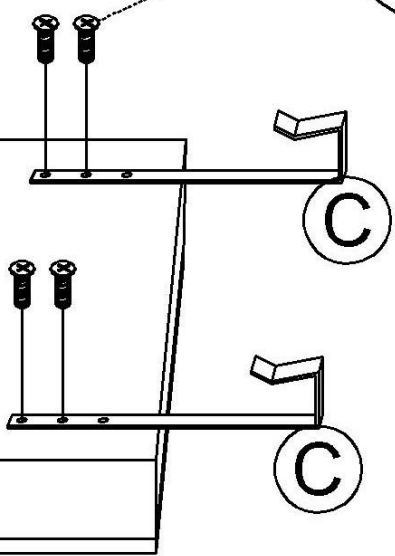
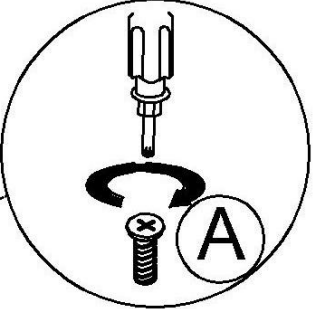
Battery installation

(Tip: use 3 AA Batteries)




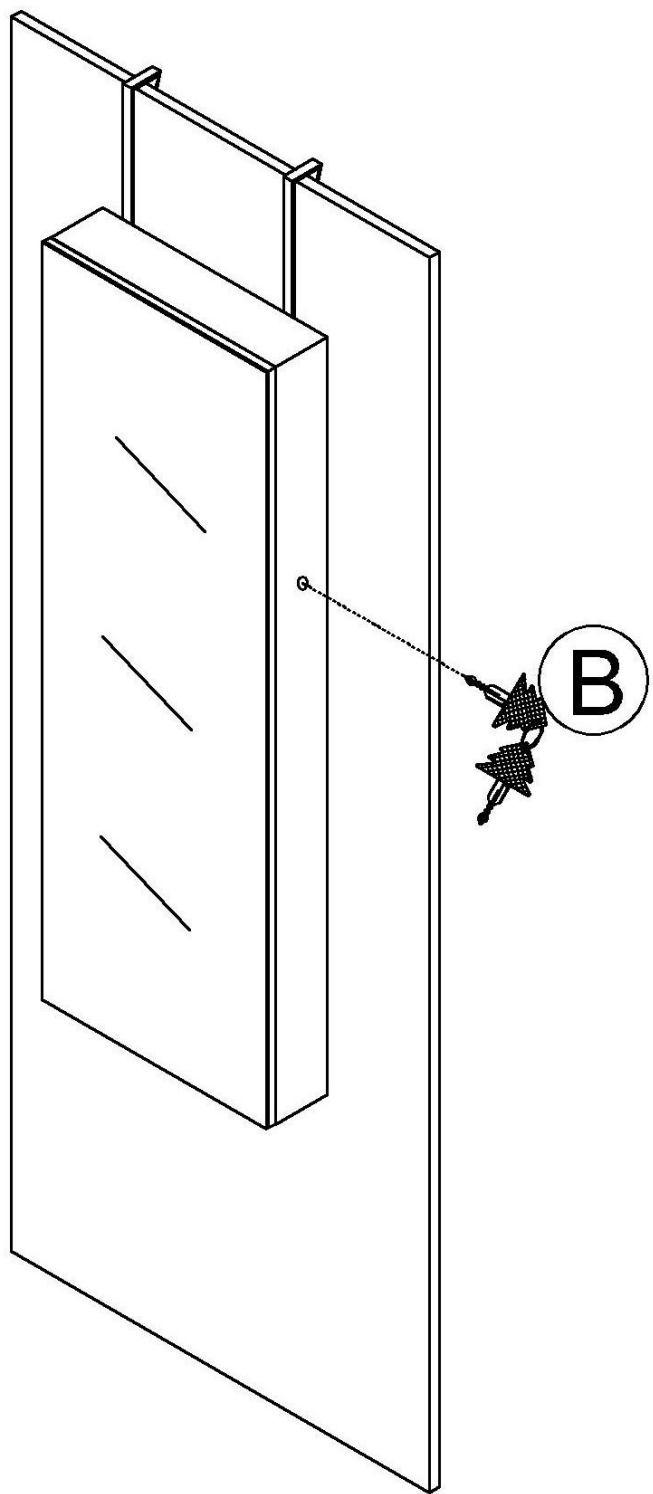
Over The Door

(A)		x 4
(C)		x 2
(F)		x 4
(G)		x 1



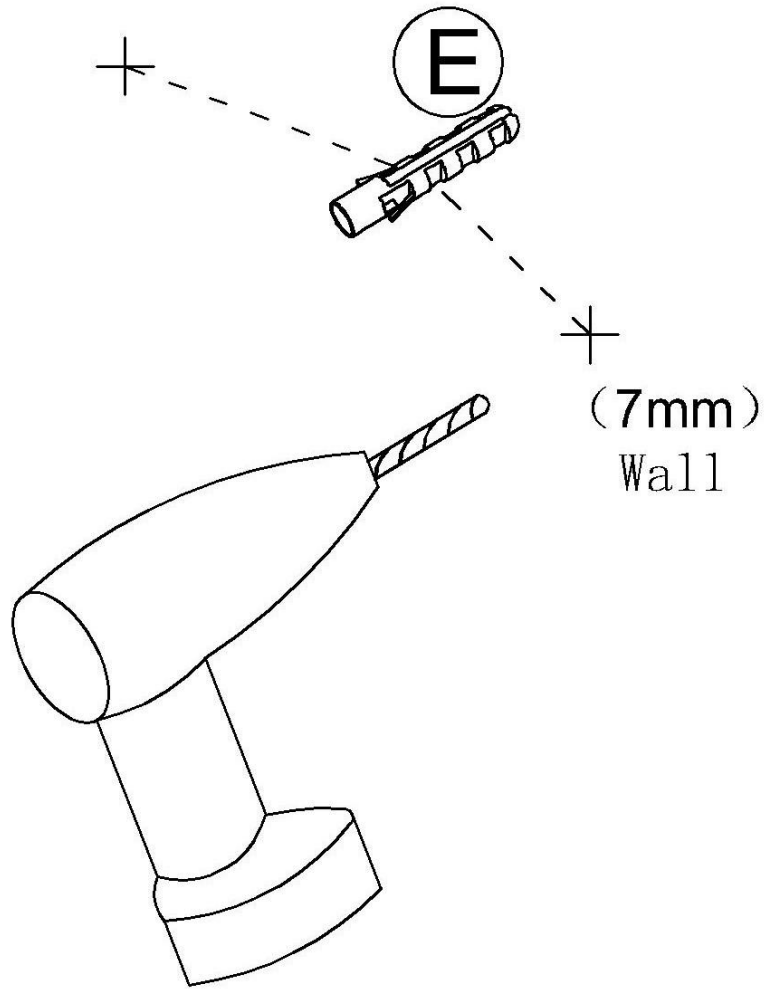
Fixed on the door to prevent swaying.

(B)		x 1
-----	---	-----

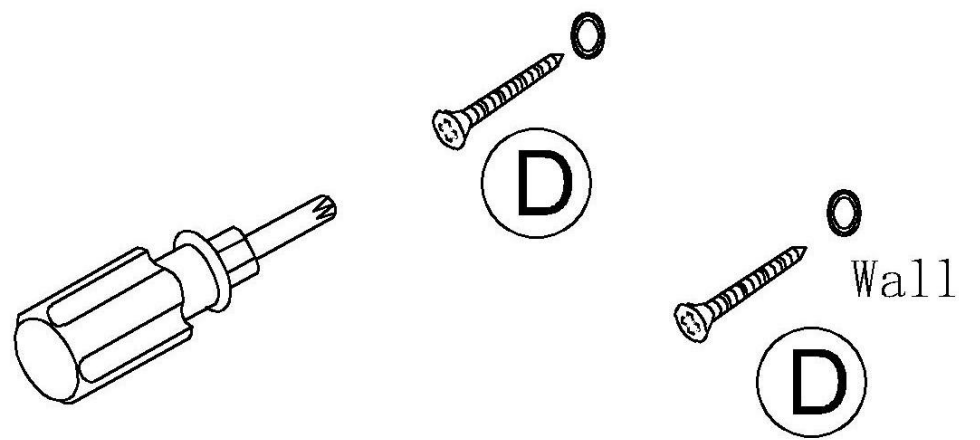
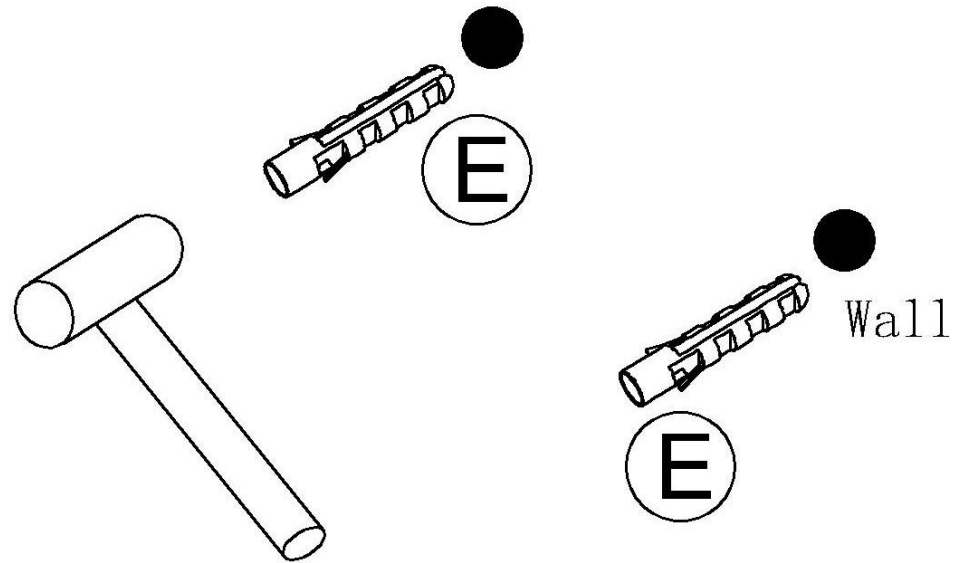


Wall Mount

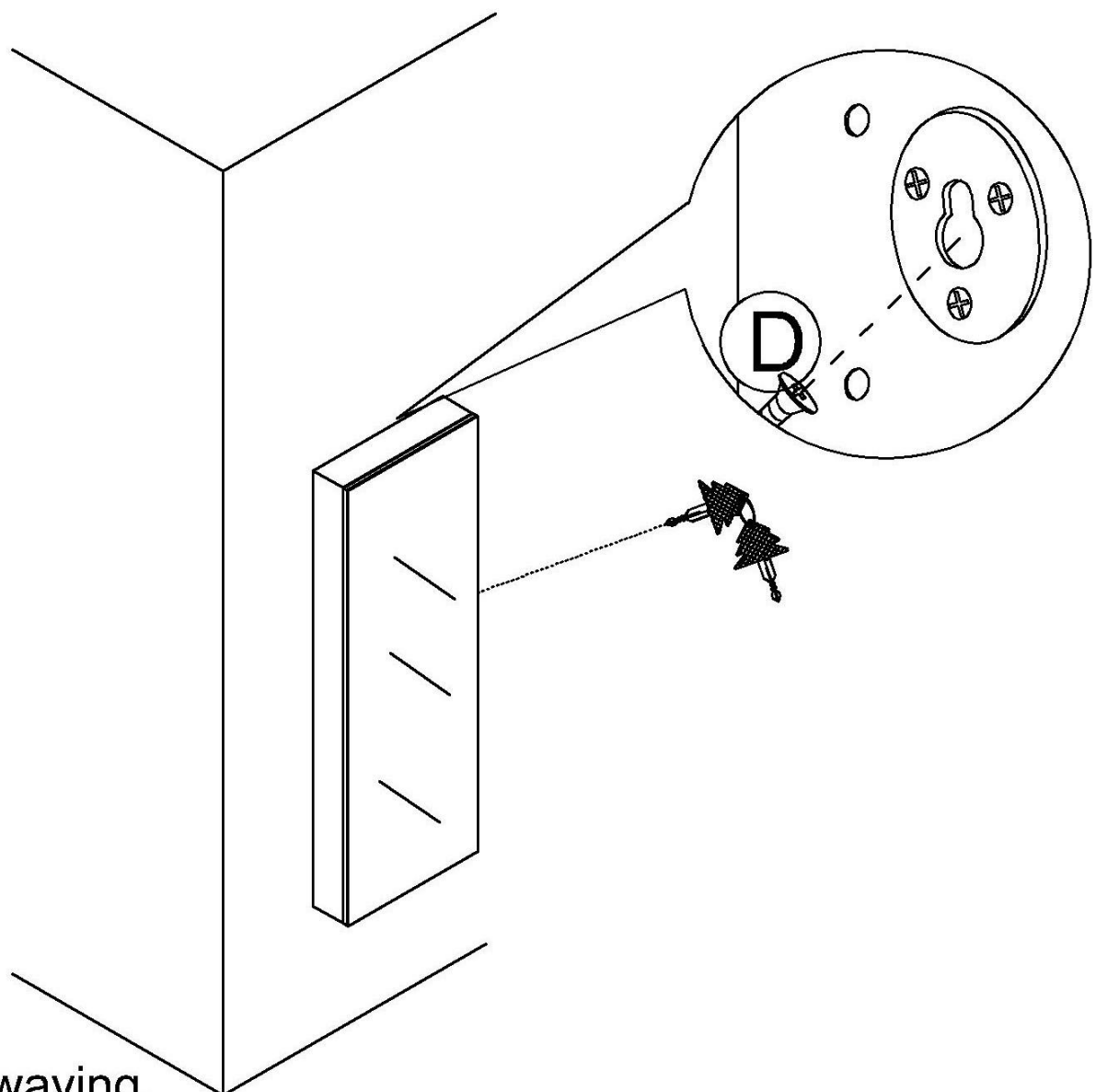
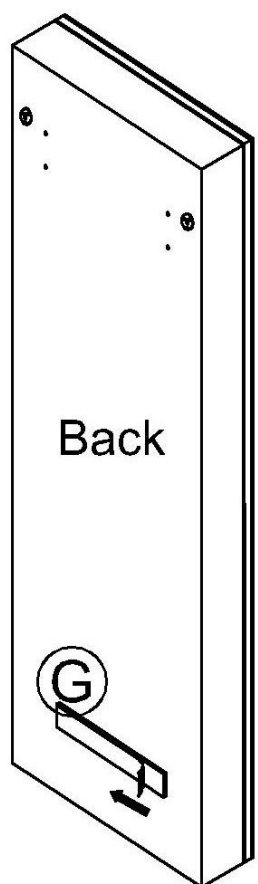
(Tip: Please use your own tools)



(E)		x 2
(D)		x 2



(B)		x 1
(G)		x 1



Fixed on the door to prevent swaying.