







# ASSEMBLY INSTRUCTIONS

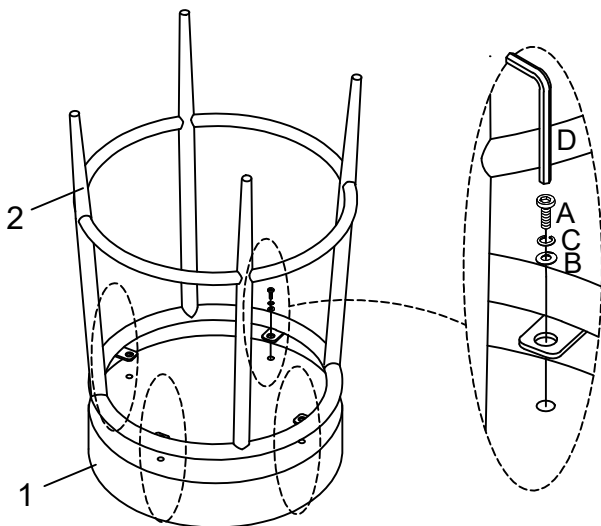
## HARDWARE LIST

NO.	SKETCH	DESCRIPTION	QTY
A		Bolt(1/4"x7/8")	4 PCS
B		Washer(1/4")	4 PCS
C		Spring washer(1/4")	4 PCS
D		Allen wrench(4mm)	1 PC

## PARTS LIST

NO.	SKETCH	DESCRIPTION	QTY
1		Seat	1 PC
2		Metal Base	1 PC

### Step 1

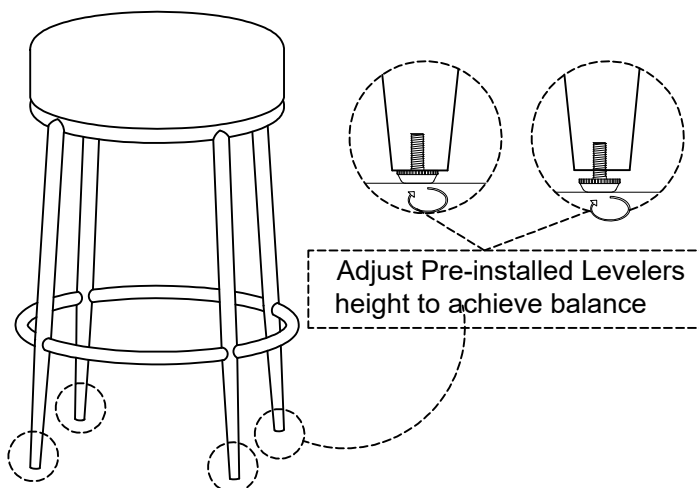


### Assembly Instructions:

To ensure stability, place the Seat(1) on a smooth, flat surface to prevent tipping. Align the screw holes of the seat and base with the backrest facing rearward. Install washers (B) and spring washers (C) onto bolts (A), insert them diagonally into aligned holes, and tighten securely with an Allen wrench (D).

### Step 2

Rotate the base and adjust the height with four legs until the seat is stable and does not shake. Gently press the four corners to ensure a firm contact.



### Step 3

Check that all bolts are tightened and the seats are stable without shaking.

