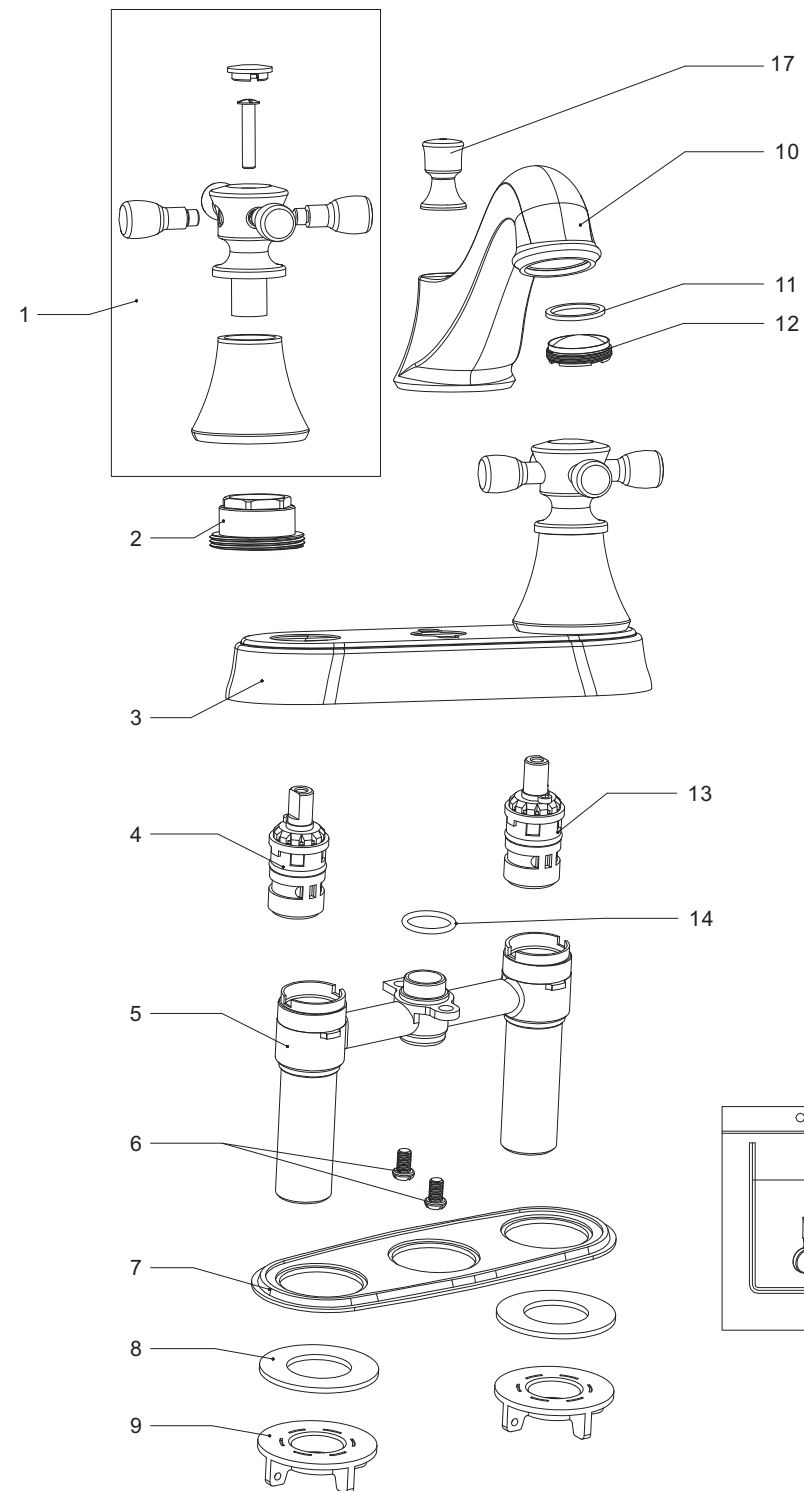
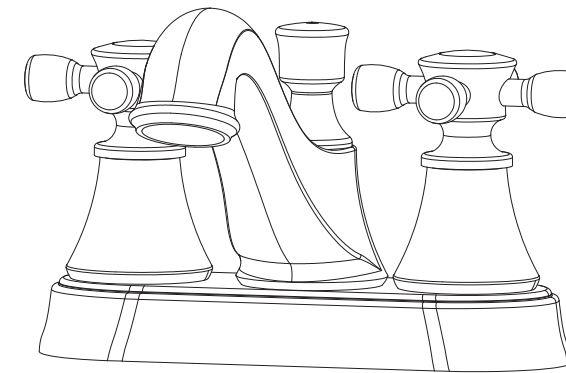


Step 4 Parts list



NO.	PART NAME
1	Handle assembly
2	Lock nut
3	Plate
4	Cartridge(hot water)
5	Shank
6	Screw
7	Gasket
8	Washer
9	Lock nut
10	Spout
11	Washer
12	Aerator
13	Cartridge(cold water)
14	O-ring
15	Allen key
16	Aerator wrench
17	Diverter cover

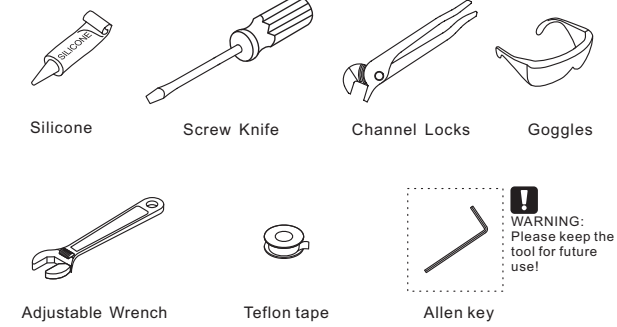


TWO HANDLE LAVATORY FAUCET



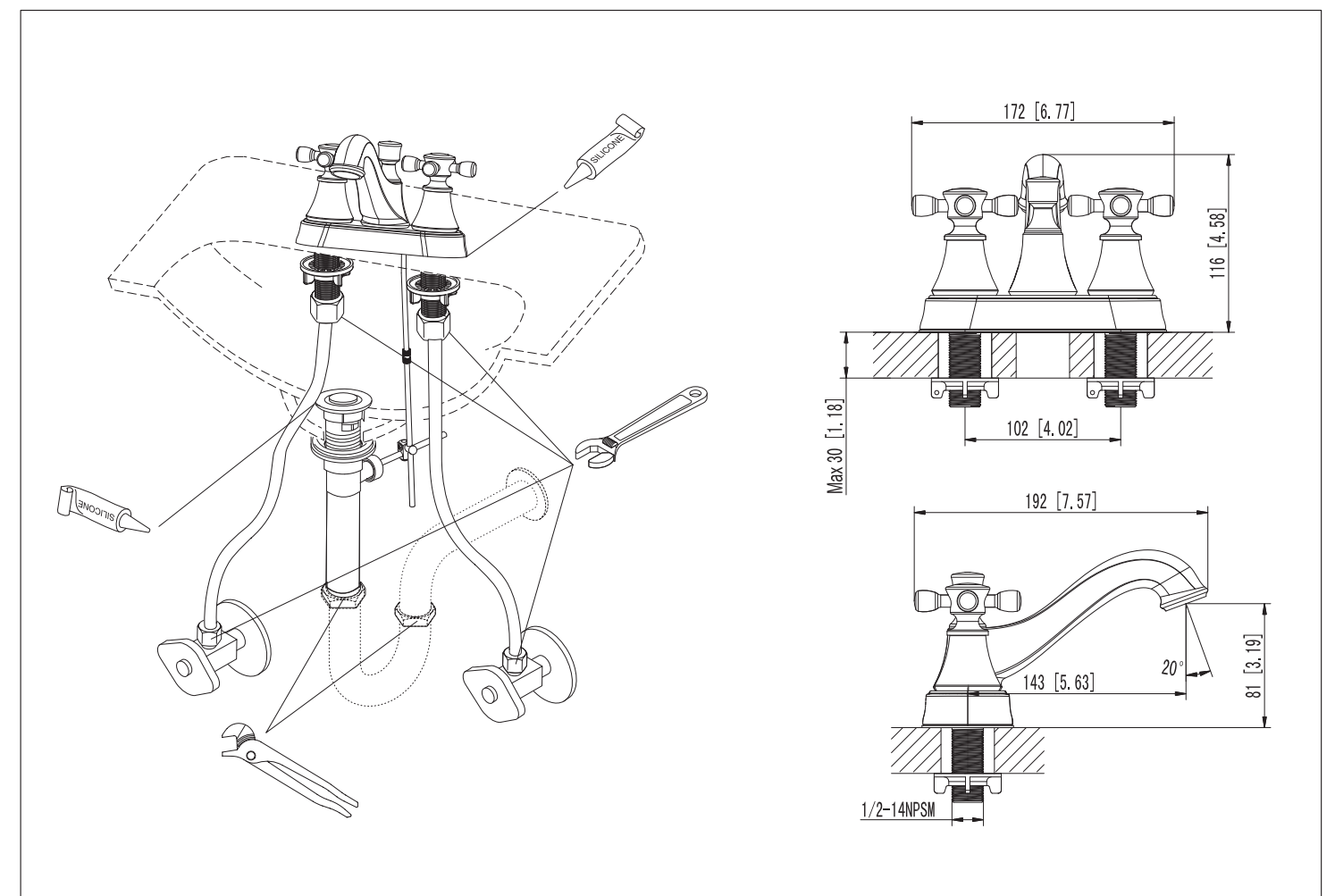
ASME A112.18.1/CSA B125.1

RECOMMENDED TOOLS



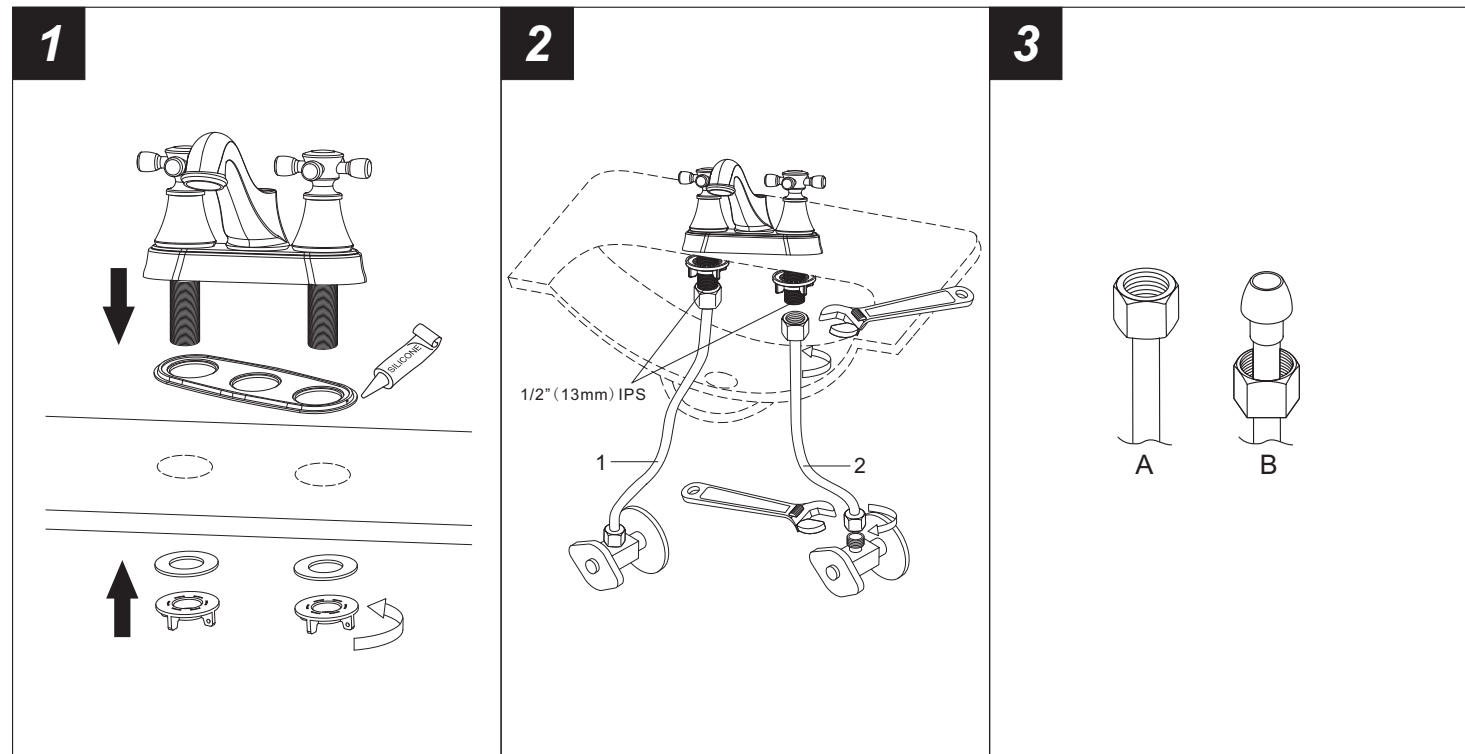
**Attention:**  
for easy installation, you will need:  
1. To read all the installation instruction completely before beginning.  
2. To read all the warning, attention and maintenance information.  
3. To purchase the proper supply lines.

The tools might be applied to the following places:



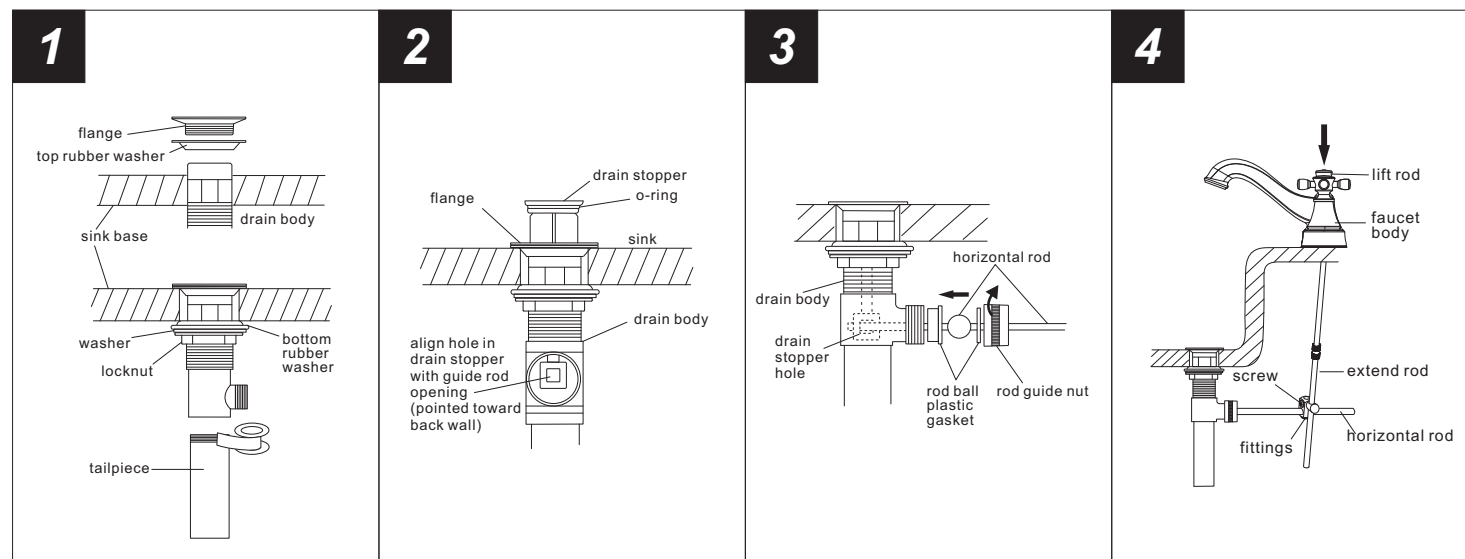
## Step 1 Faucet and pop-up installation

### Faucet installation



1. Place the faucet and gasket on the basin, from underside of basin, assemble the washer and lock nut, tighten the lock nut by hand. **If the basin is uneven, please use silicone under the gasket.**
2. Connect the supply lines to the faucet and secure the nuts by adjustable wrench.  
**Warning: Supply line #1 is for hot water, supply line #2 is for cold water, don't mix up.**
3. You can use 1/2" IPS faucet connections **A**, or use the coupling nuts with 3/8" O.D. ball-nose risers **B**.  
**Warning: The supply lines mentioned in the previous step are not included. Please purchase them from the plumbshop.**

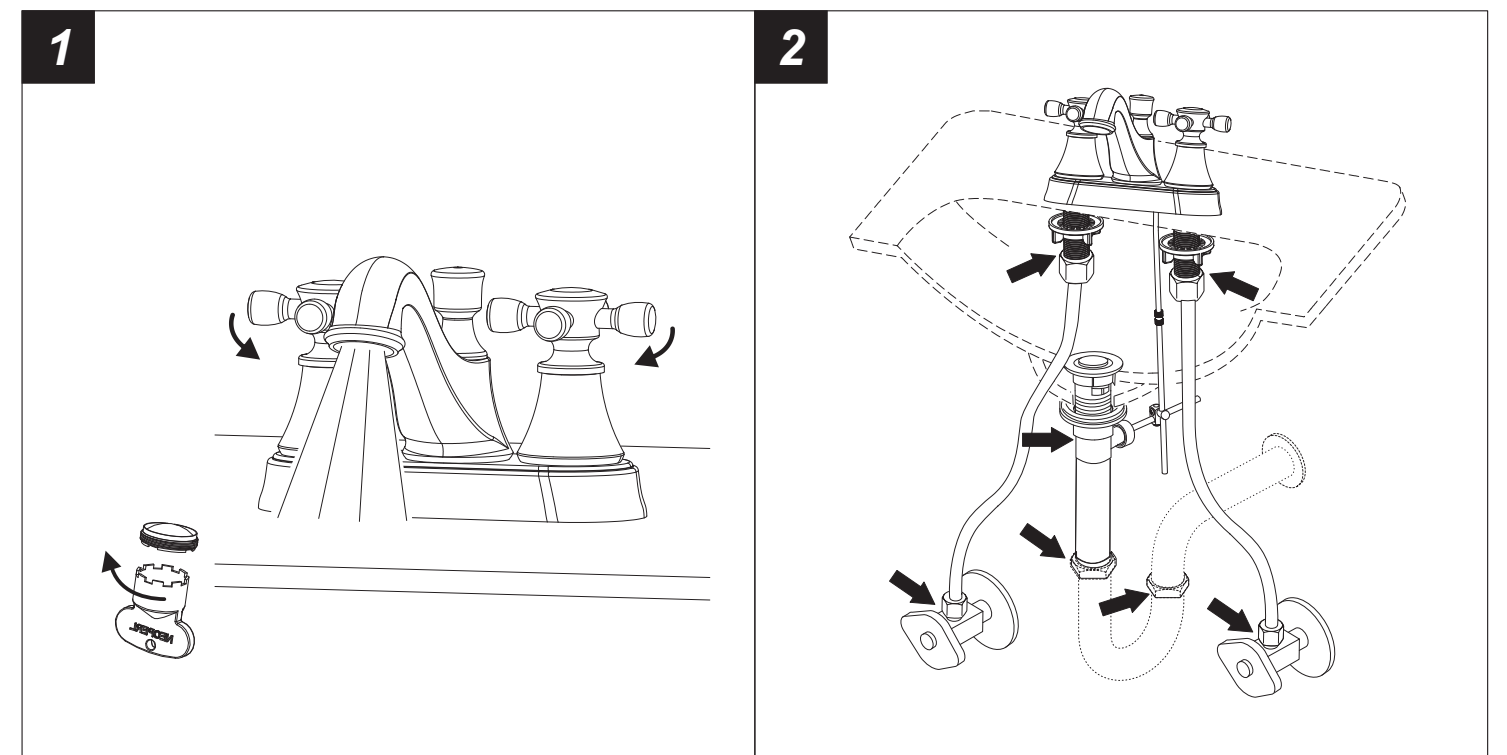
### Pop-up installation



1. Remove pop-up drain stopper, and flange with top rubber washer for pop-up assembly. Insert drain body from underneath of sink drain hole. Replace flange and top rubber washer back to drain body. Tighten flange as far as possible. Remove and put silicone along bottom of. (Optional) Slide bottom rubber washer on drain body up against bottom of sink. Tighten washer and locknut firmly against base for tight seal. Remove tailpiece from drain body, add Teflon tape, replace tailpiece.
2. Replace pop-up drain stopper to drain body with o-ring in place, and align stopper hole with guide rod opening (pointed toward back wall).
3. Remove rod guide nut and rod ball plastic gasket. Insert horizontal rod into drain body and through hole in drain stopper. Replace rod guide nut with rod ball plastic gasket and tighten it.

4. Insert lift rod through hole on faucet body. Connect extend rod to lift rod. Attach horizontal rod to extend rod using fittings, tighten screw.

## Step 2 Checking and testing



1. Remove the aerator by aerator wrench. Turn the faucet handle all the way on, turn on hot and cold water supply and flush water lines for one minute. Reinstall aerator by aerator wrench.
2. Check all connections at arrows for leaks, re-tighten it if necessary.

**!**  
**BUT DON'T OVERTIGHTEN**

## Step 3 Cleaning and care

Daily cleaning and care are required in order to keep the product shining and properly working.

- 1 Clean it with water and dry it with soft cloth.
- 2 Clean the product with gentle liquid or glass cleaner.
- 3 Don't use acid cleaner.
- 4 Don't clean with abrasive material, abrasive paper or knife.