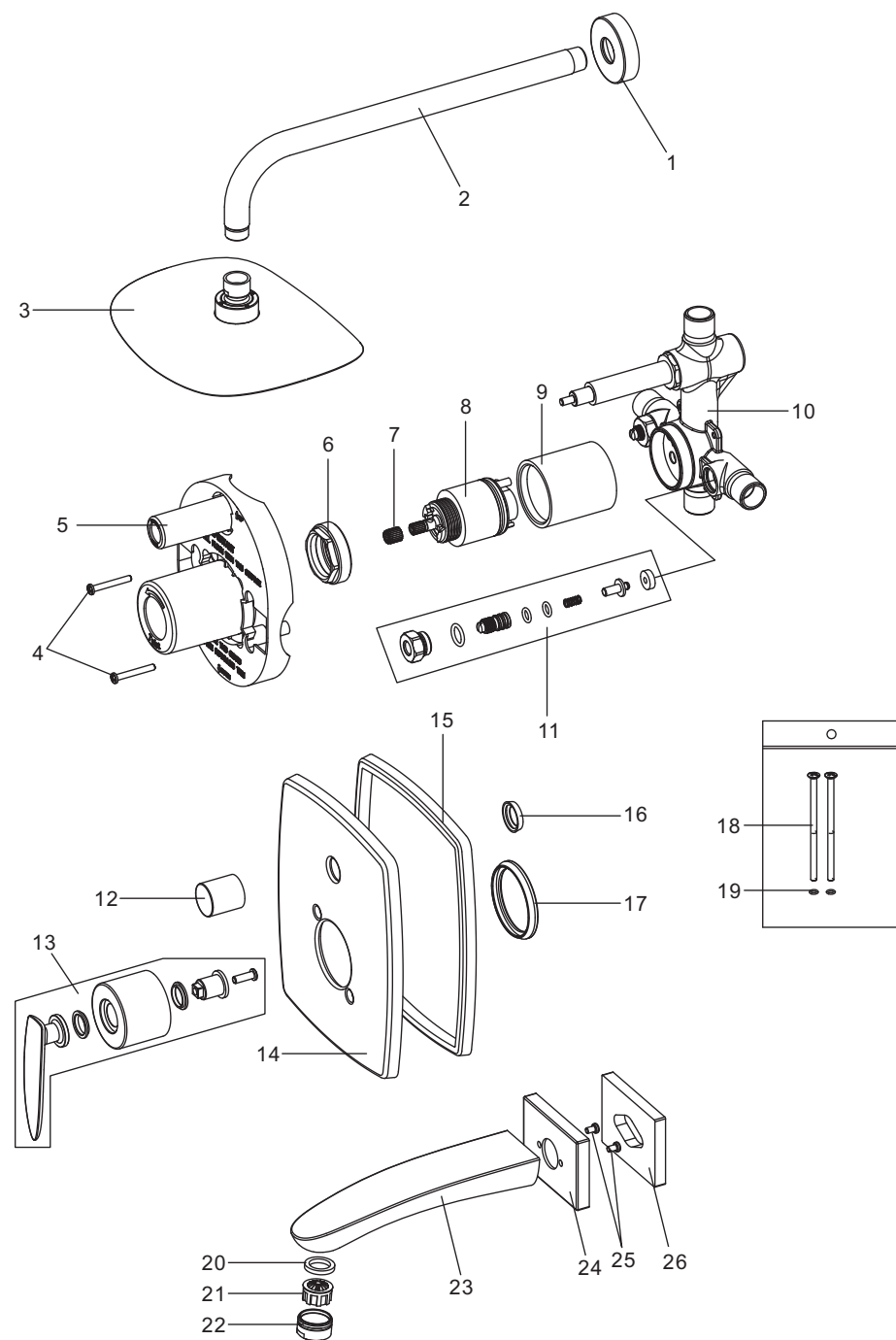
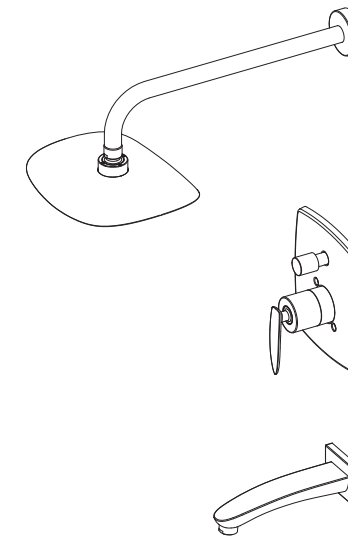


Step 4 Parts list



NO.	PART NAME
1	Flange
2	Shower arm
3	Shower head
4	Screw
5	Protect cover
6	Cartridge locknut
7	Handle adapter
8	Cartridge
9	Sleeve
10	Body
11	Check valve
12	Knob
13	Handle
14	Trim plate
15	Joint
16	Joint
17	Joint
18	Screw
19	O-ring
20	Aerator washer
21	Aerator
22	Aerator collar
23	Spout
24	Flange
25	Screw
26	Joint

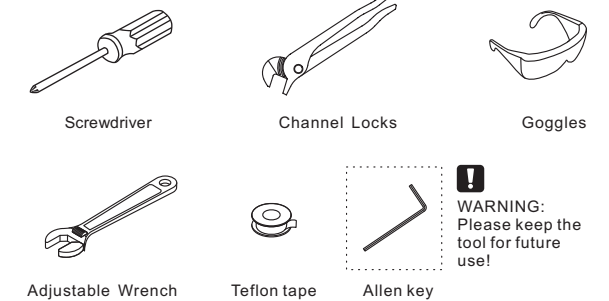


**SINGLE HANDLE PRESSURE
BALANCED TUB & SHOWER SET**



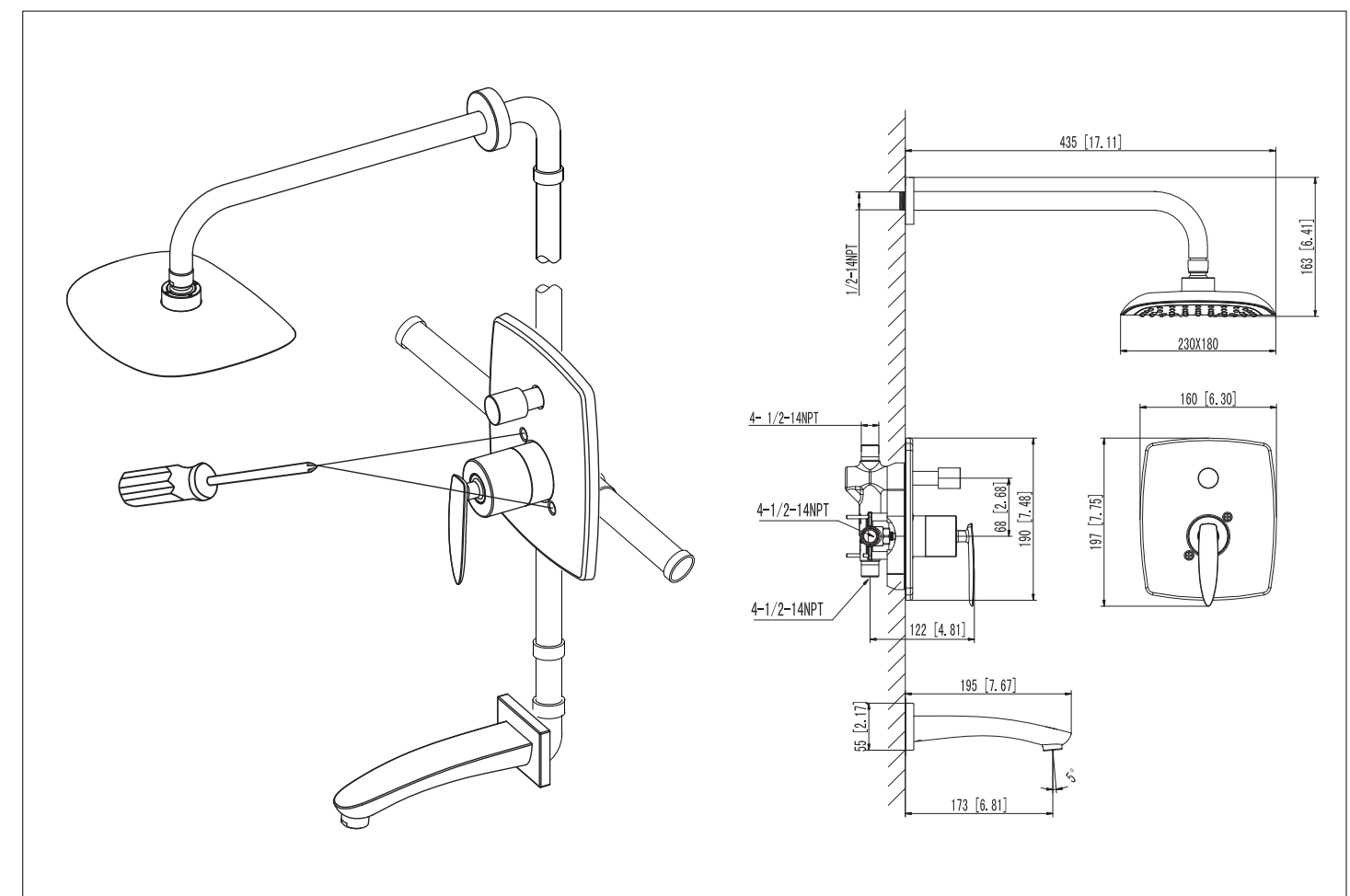
ASME A112.18.1/CSA B125.1

RECOMMENDED TOOLS

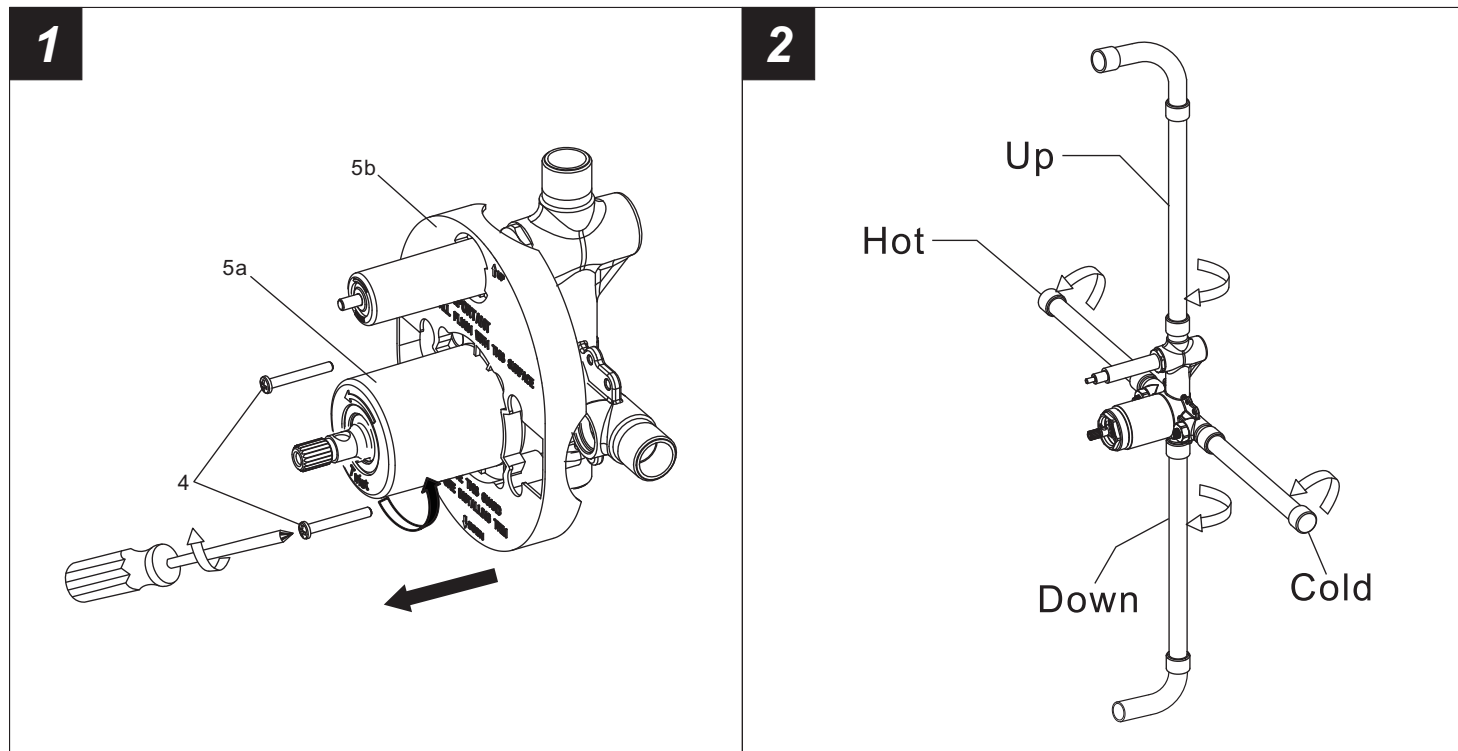


Attention:
for easy installation, you will need:
1. To read all the installation instruction completely before beginning.
2. To read all the warning, attention and maintenance information.

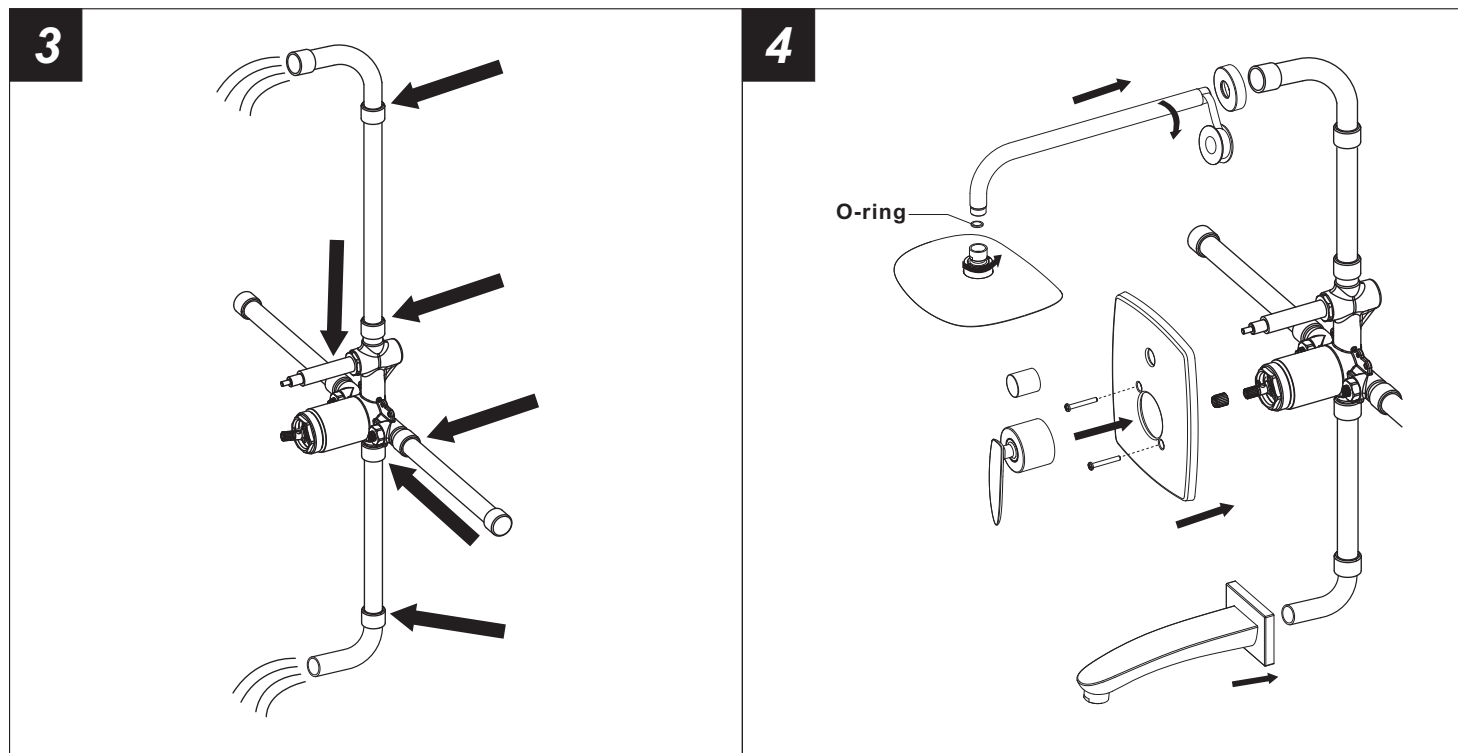
The tools might be applied to the following places:



Step 1 Faucet installation

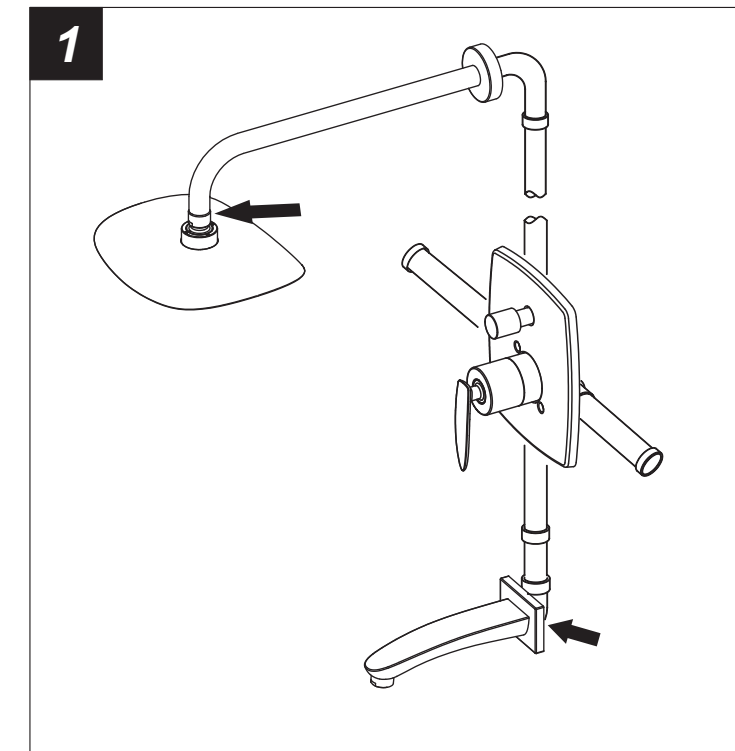


1. Remove the protect cover #5a and take out the screw #4 with the screwdriver, then remove the protect cover #5b.
2. Connect pipes with faucet as photo, pay attention to the connection of hot and cold water supply pipe.



3. Let the water run for one minute. Check all connections for leakage.
4. Apply teflon tap to the shower arm, put flange and connect it to water supply pipe, after fixing the shower arm, screw the shower head to the shower arm. ATTENTION: don't forget the o-ring between the shower arm and the shower head. Put the handle adapter on the cartridge. Put the trim plate, fix it with screws, tighten them with screw driver. Put the knob, and fix the handle to cartridge locknut. Install spout, see diagram for visual.

Step 2 Checking and testing



Check all connections at arrows for leaks, re-tighten it if necessary.

!
BUT DON'T OVERTIGHTEN

Step 3 Cleaning and care

Daily cleaning and care are required in order to keep the product shining and properly working.

- 1 Clean it with water and dry it with soft cloth.
- 2 Clean the product with gentle liquid or glass cleaner.
- 3 Don't use acid cleaner.
- 4 Don't clean with abrasive material, abrasive paper or knife.