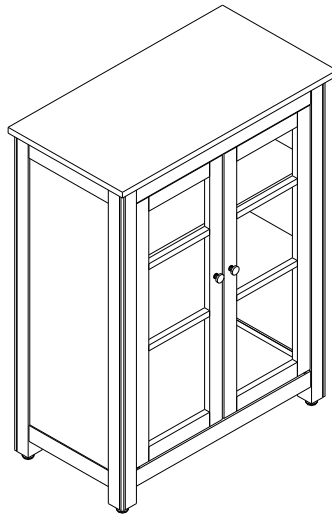


# Pie Safe

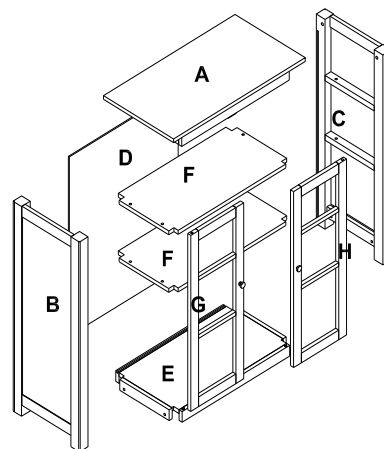


Thank you for purchasing our Pie Safe / Bookcase. Assembly of this product requires a phillips screwdriver. It is helpful to have a second person available during the assembly of this product.

Lay out parts on a non-abrasive surface to avoid scratching finish.

NO.	DRAWING	DESCRIPTION	QTY.
A		TOP	1
B		SIDE PANEL-L	1
C		SIDE PANEL-R	1
D		BACK	1
E		BOTTOM	1
F		SHELF	2
G		DOOR-L	1
H		DOOR-R	1

NO.	DRAWING	DESCRIPTION	QTY.
I		M6*35MM BOLT	8
J		M6*30MM BOLT	8
K		M6*40MM BOLT	2
L		M6*60MM BOLT	2
M		METAL KNOB	2
N		KNOB SCREW	2
O		LEVELER	4
P		WRENCH	1
Q		ANTI-TIP BAG	1



STEP 1

Identify and count all parts using diagram above.

---

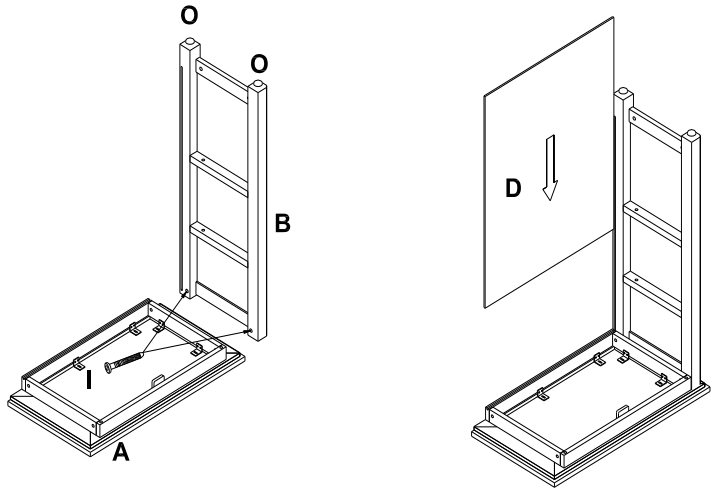
STEP 2

Identify and count hardware.

STEP 3

Lay Top Panel (A) upside down on non-abrasive surface. Attach Left Side Panel (B) to Top Panel (A) using 2 M6 \* 35MM Bolts (I). Use Wrench (P) to install Bolts.

Position Back Panel (D) in to grooves on Left Side Panel (B) and in Back Rail on Top (A).

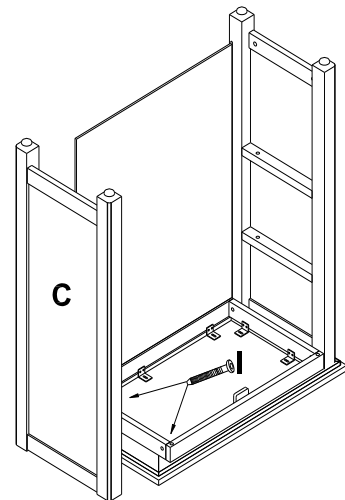


**Do not over tighten Bolts at this time. Assemble Loose.**

---

STEP 4

Align groove in Right Side Panel (C) with Back Panel. Attach Right Side Panel (C) to top panel (A) using 2 M6 \* 35MM Bolts (I). Use Wrench (P) to install Bolts.

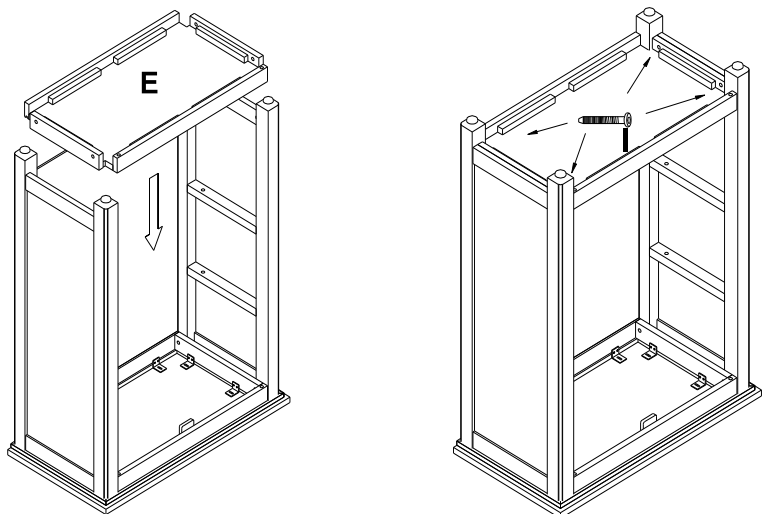


**Do not over tighten Bolts at this time. Assemble Loose.**

---

STEP 5

Position Bottom Panel (E) between the Left and Right Ends. Align the Groove in the Bottom with the Back Panel. Attach bottom panel (E) to Right and Left End Panels (B) and (C) with 4 M6 \* 35MM Bolts (I). Use Wrench (P) to install Bolts.

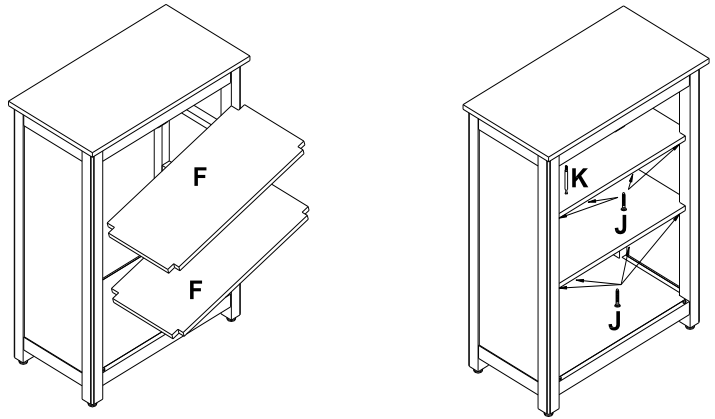


**Do not over tighten Bolts at this time. Assemble Loose.**

## STEP 6

Position partially assembled case upright. Place 2 Shelves (F) in to the case. NOTE: Threaded inserts in the shelves should be facing down and aligned with the thru holes in the shelf supports on the Left and Right Ends inside the case. Attach the Shelves to the Shelf Supports on the Left and Right Ends using 4 M6 30MM Bolts (J). Use Wrench (P) to install and tighten Bolts

**At this point tighten all assembly bolts.**



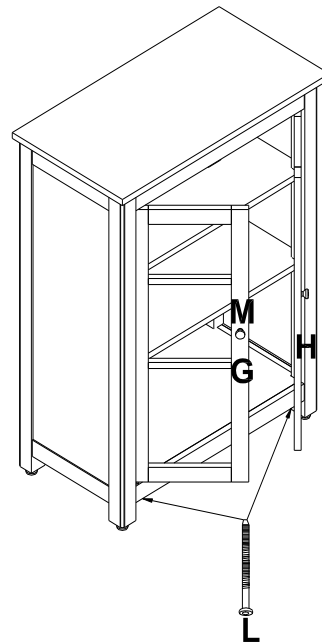
## STEP 7

Insert 2 M6 \* 40MM Bolts (K) in to the threaded inserts on the bottom side of top rail on Top (A). These are the pivot bolts for the Left & Right Doors.

**Step 7A:** Attach Left Door (G) by aligning the Hole in top edge of door with the Pivot Bolt on underside of top rail. Secure the door in place by threading 1 M6 \* 60MM bolt (L) thru the threaded insert in the front bottom rail and in to the hole in the bottom edge of Door (G). Use Wrench (P) to install this bolt. Thread completely in so that door is secure and swings freely.

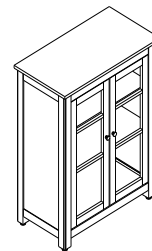
**Step 7B:** Repeat 7A for the Right Hand Door (H)

**Step 7C:** If doors are mis-aligned, you will need to level the case. You can level the case by extending levelers (O) in the bottom of each leg until case is level and doors are aligned.



## STEP 8

Attach Metal Knob (M), to left & right hand doors (G) & (H) using Knob Screw (N).



## CARE

Clean with a non abrasive cloth using a mild soap. Make sure to wipe dry.