



IMPORTANT

- MORE THAN TWO ADULTS REQUIRED
- PLEASE NOTE THE PRE-INSTALLED ACCESSORIES (**#5 leg screws**) NEED TO BE REMOVED FIRST PLEASE COLLECT THEM INTO THE PASTIC BAG TO PREVENT LOSS
- PLEASE CONFIRM THE **TOP SIDE & BOTTOM SIDE** FROM **PART#A** BEFORE YOU GOING TO **STEP 3**

1
M4



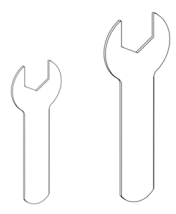
X2

2
M6



X1

3



X1

X1

4

M 8 X 50MM



X4

5

M 8 X 20MM

Installed in PART#E



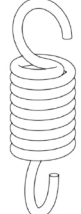
X4

6



X4

7



X2

8



X2

9



X2

10

M 6 X 15MM



X16

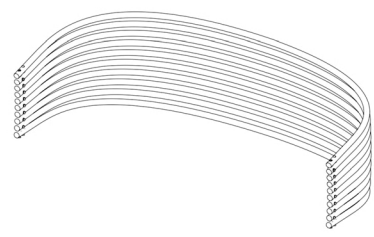
11

M 6 X 25MM



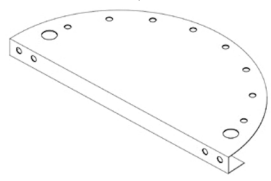
X8

A



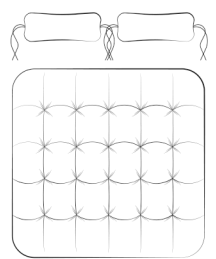
X1

B



X2

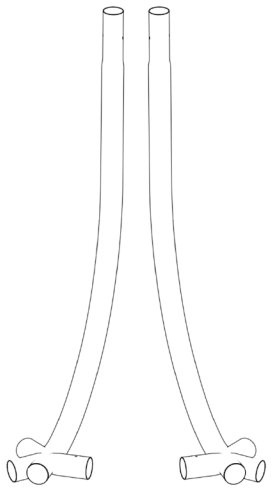
C



X1

D(r)

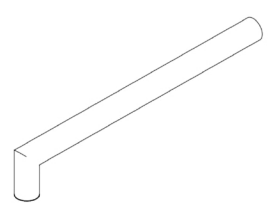
D(l)



X1

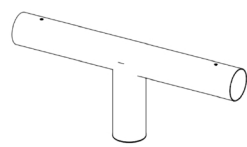
X1

E



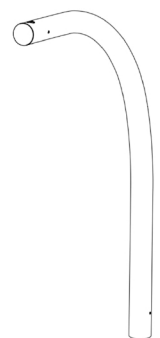
X4

F



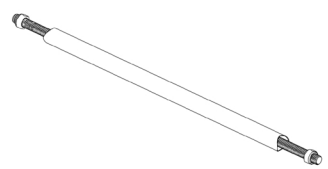
X1

H



X2

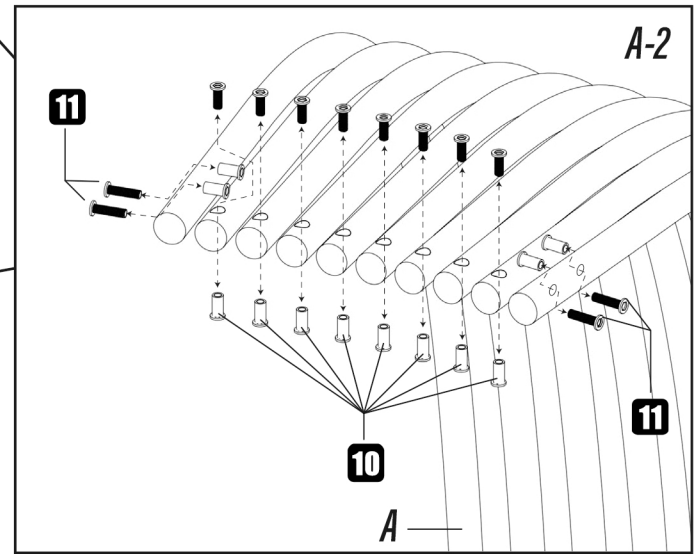
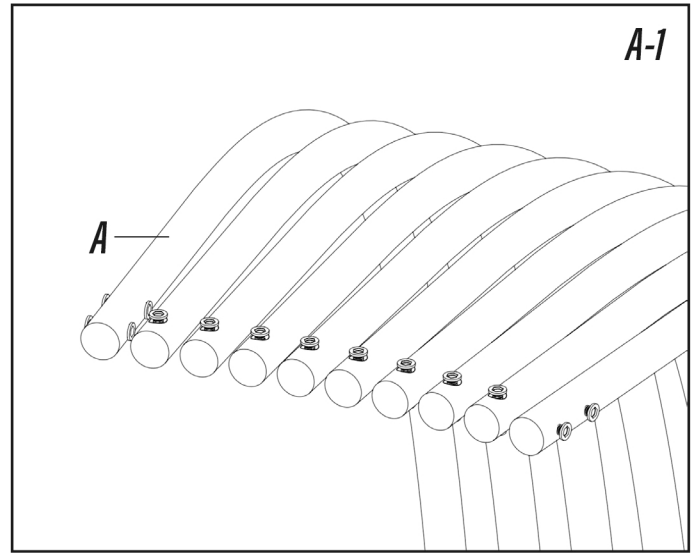
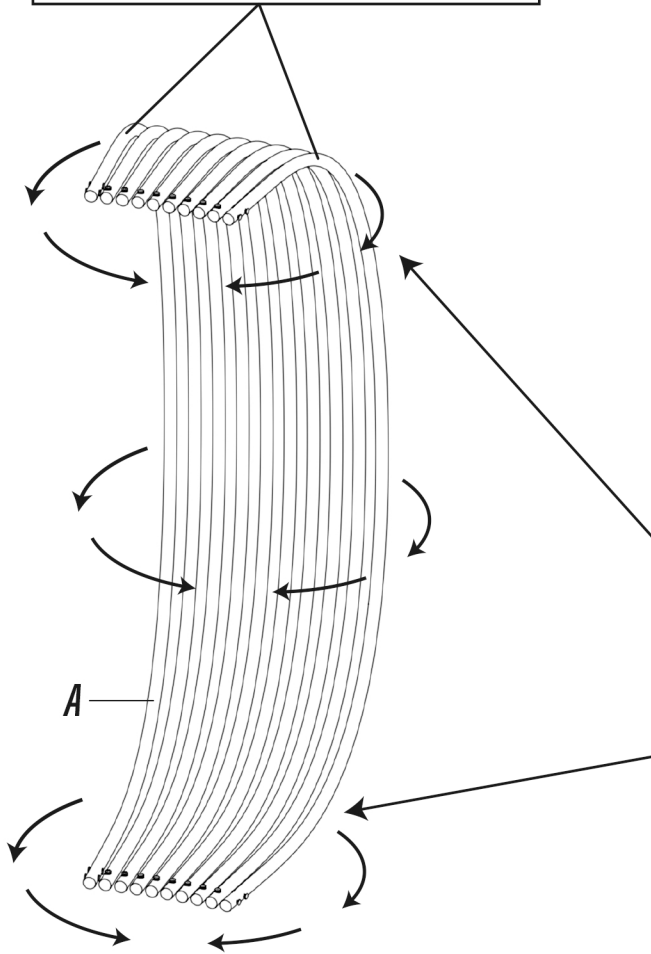
I



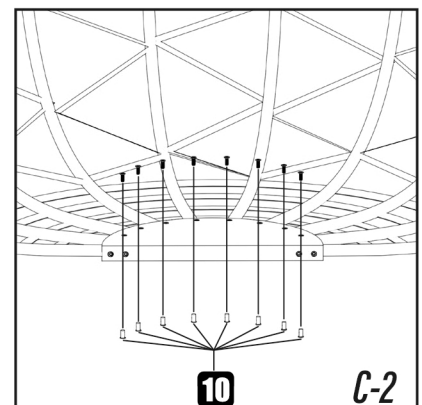
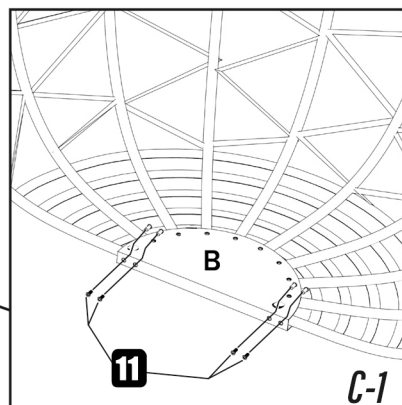
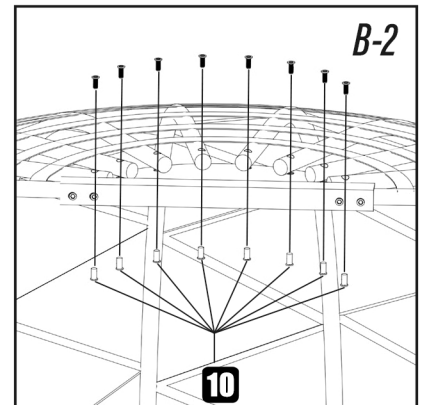
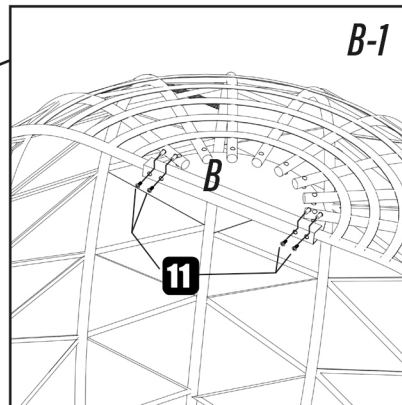
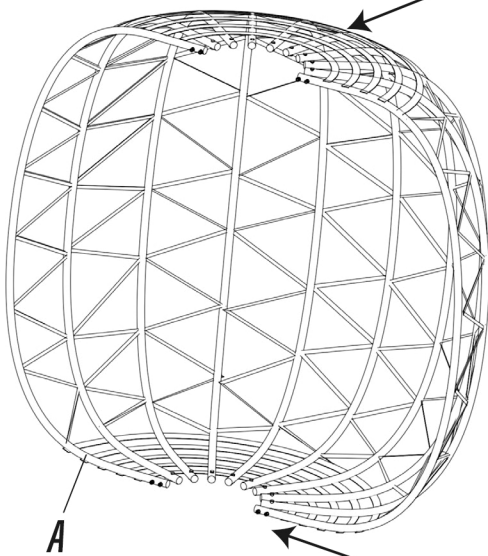
X1

1

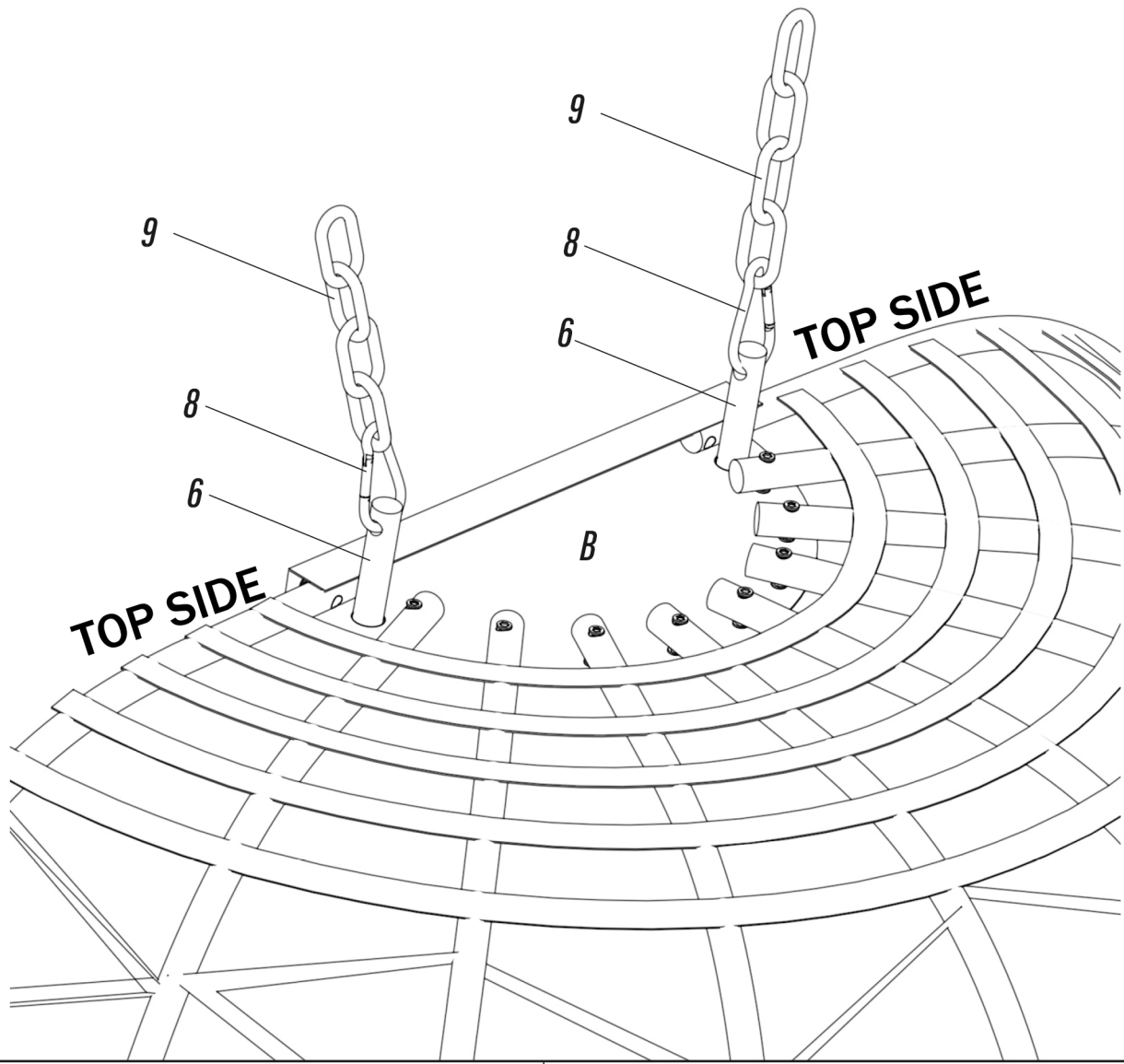
NO#**10** screws using for this 2 outside rods
Please confirm the TOP side & BOTTOM side first



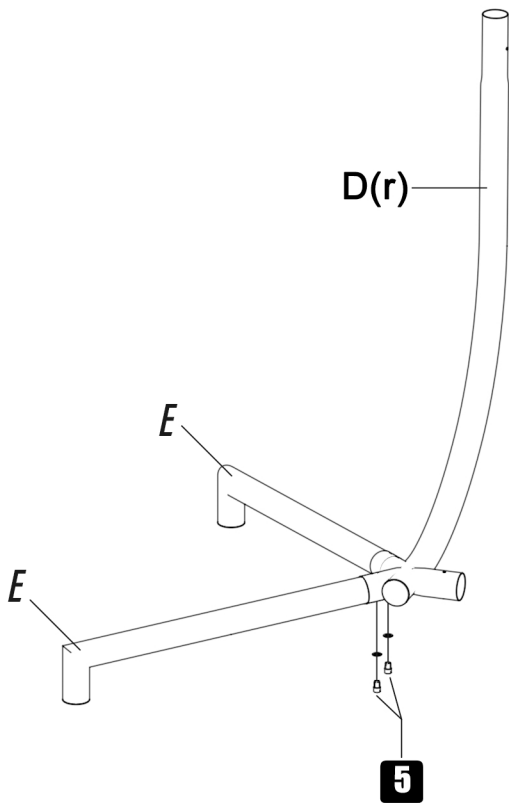
2



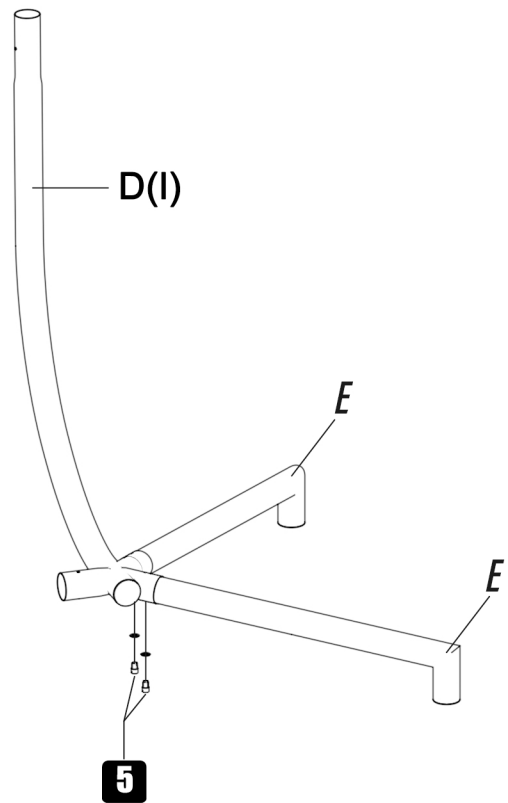
3



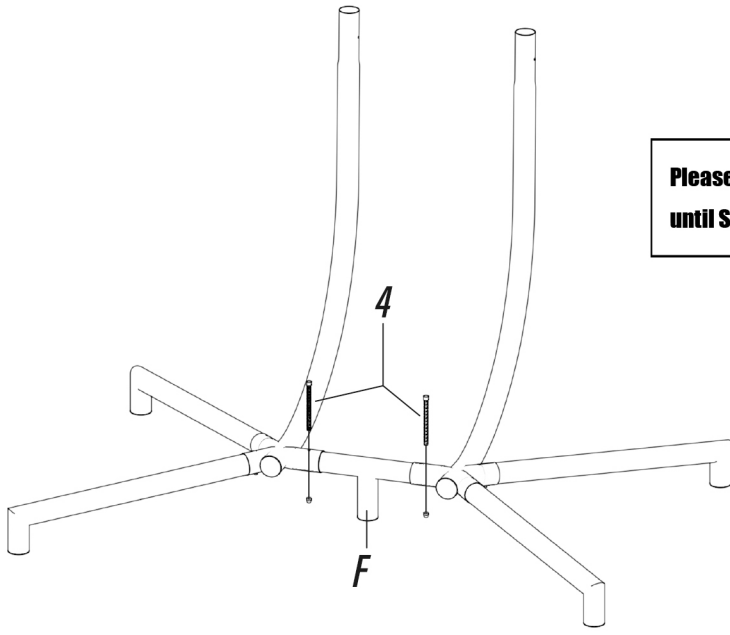
4



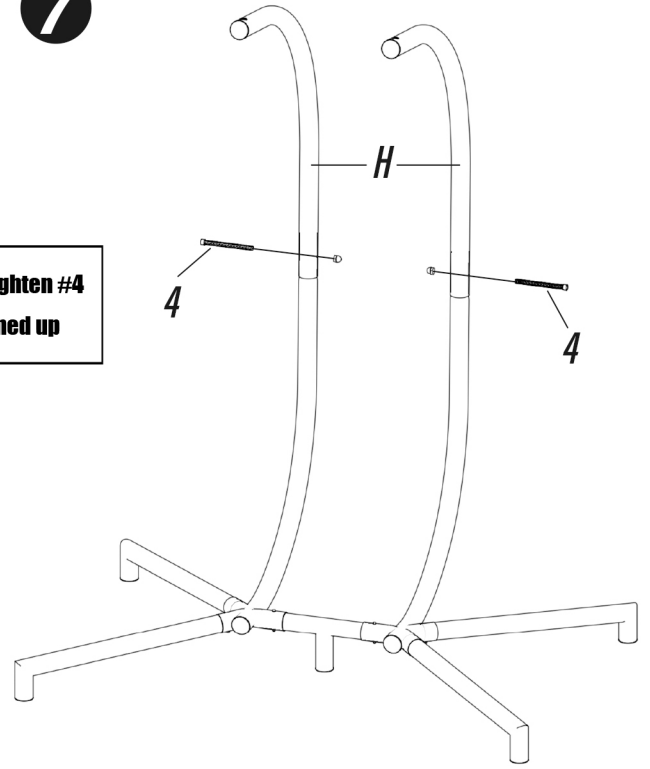
5



6

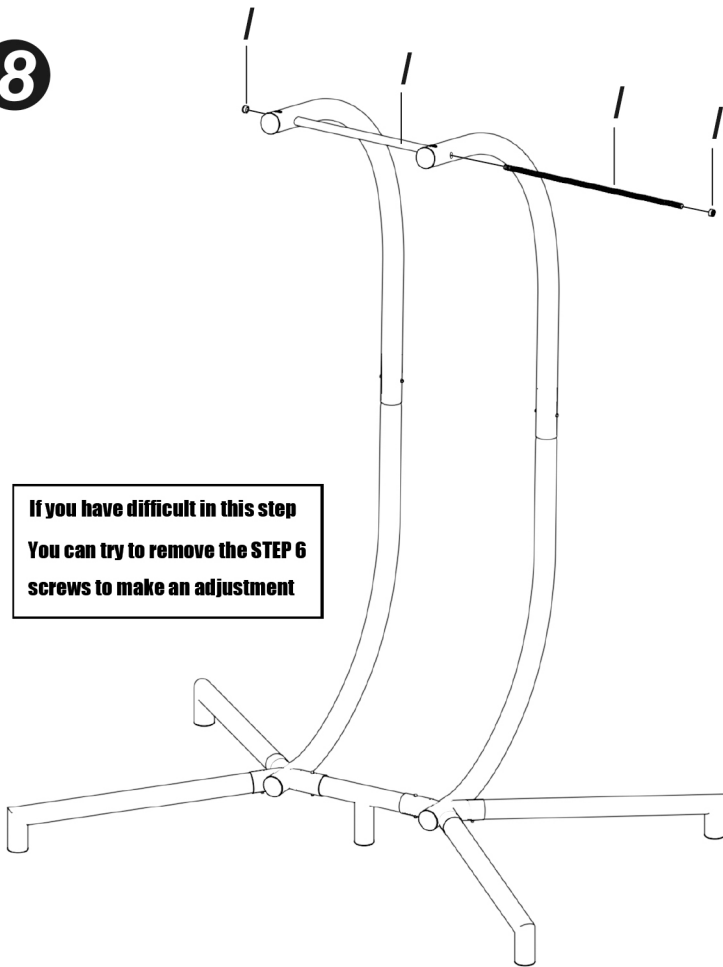


7



Please DO NOT tighten #4 until STEP 8 aligned up

8



**If you have difficult in this step
You can try to remove the STEP 6
screws to make an adjustment**

9

