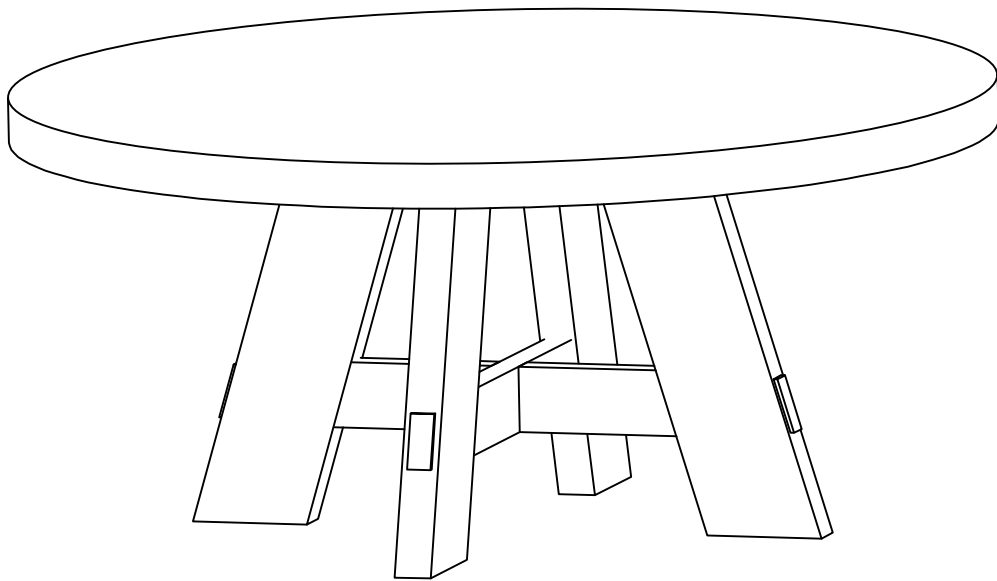


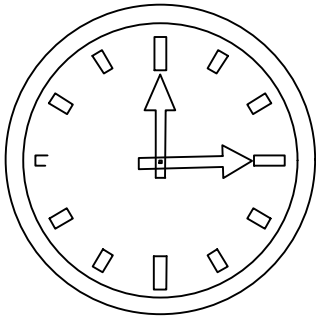
Assembly Instructions

5712831 - ROUND DINING TABLE

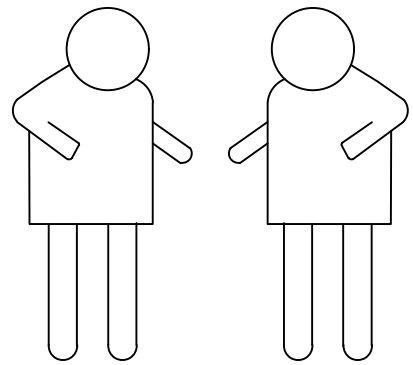
**Product Issues? Please Call Us Before Contacting Your Retailer At
1-800-549-3300, email customerservice@mshome.co, or visit www.mshome.co
We can help with Assembly Issues, Part Requests, Damages, & All Other
Product Related Questions**



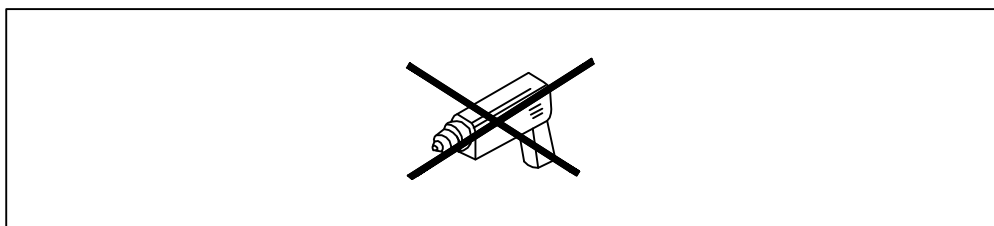
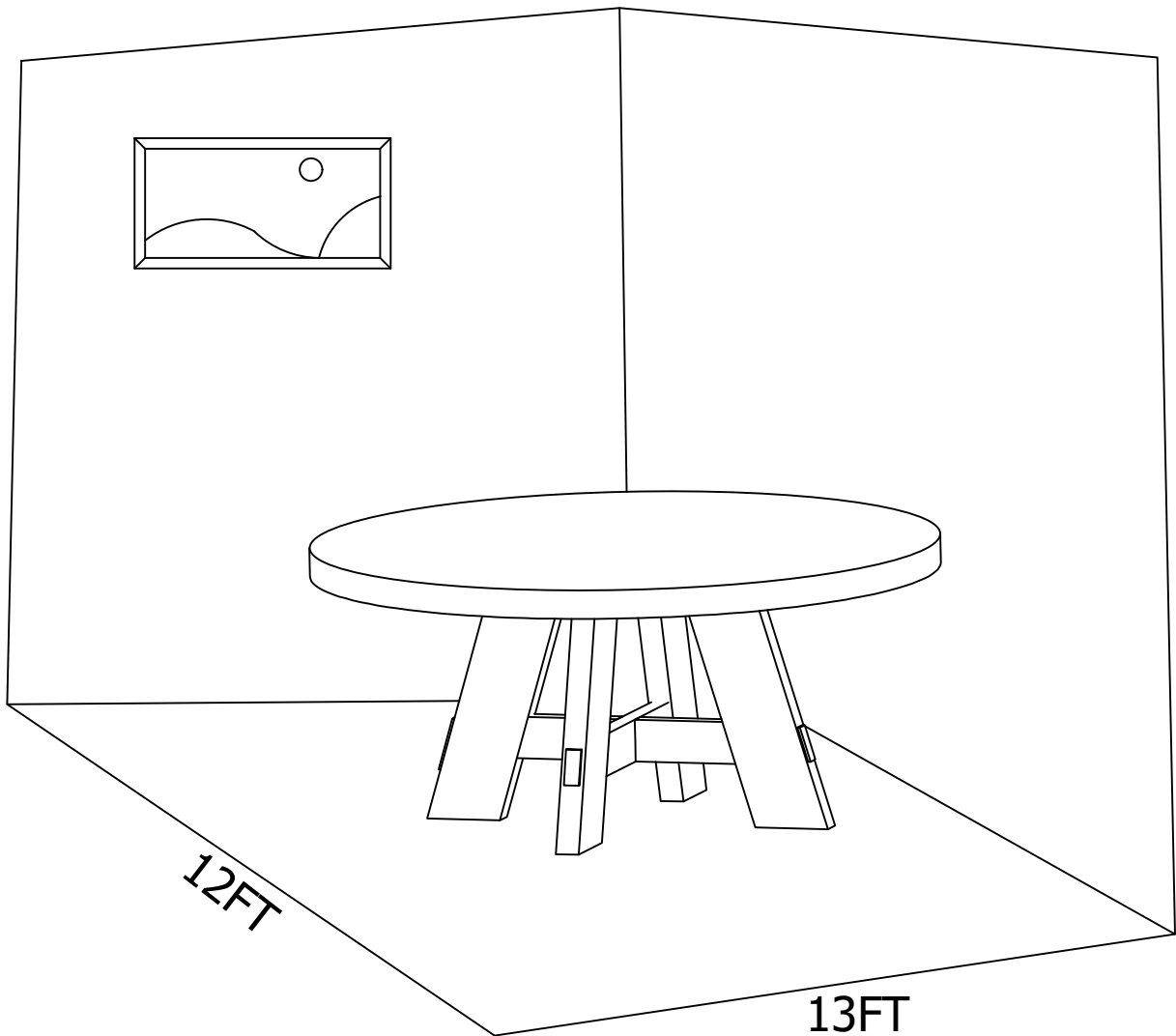
MSH-USA



15 min



Two People Required



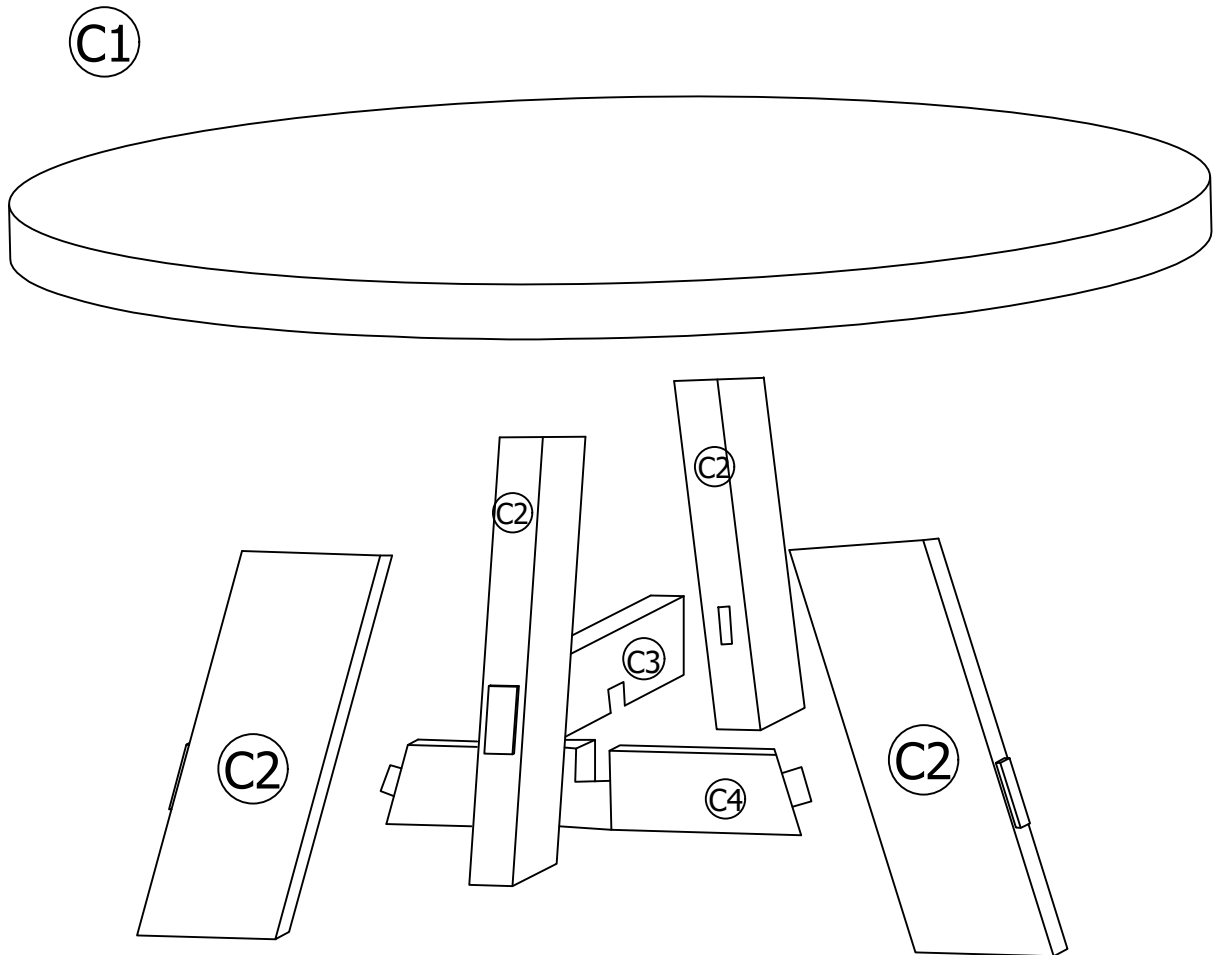
Replacement parts:

C1-top X1


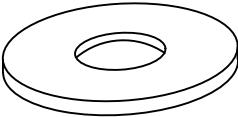
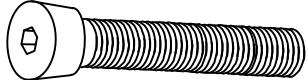
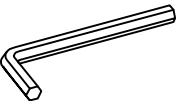

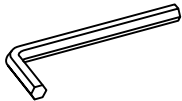
C2-leg X4

C3-Top Stretcher X1

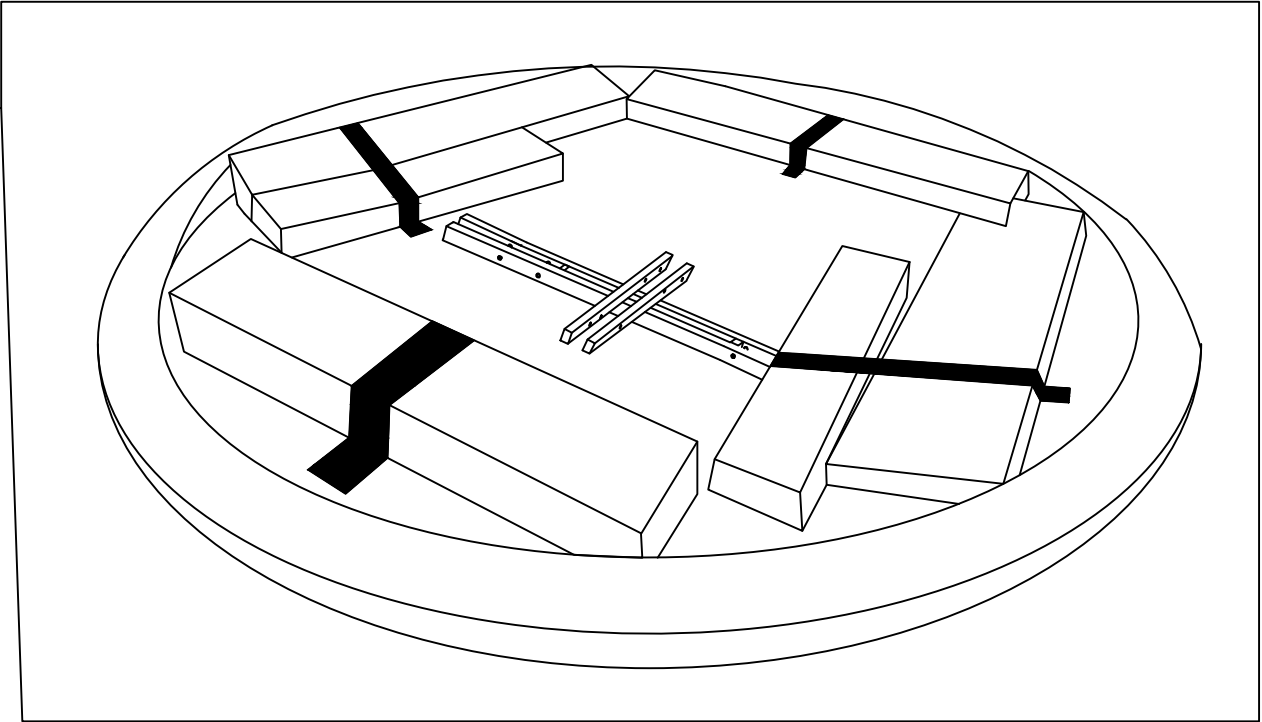
C4-Bottom Stretcher X1



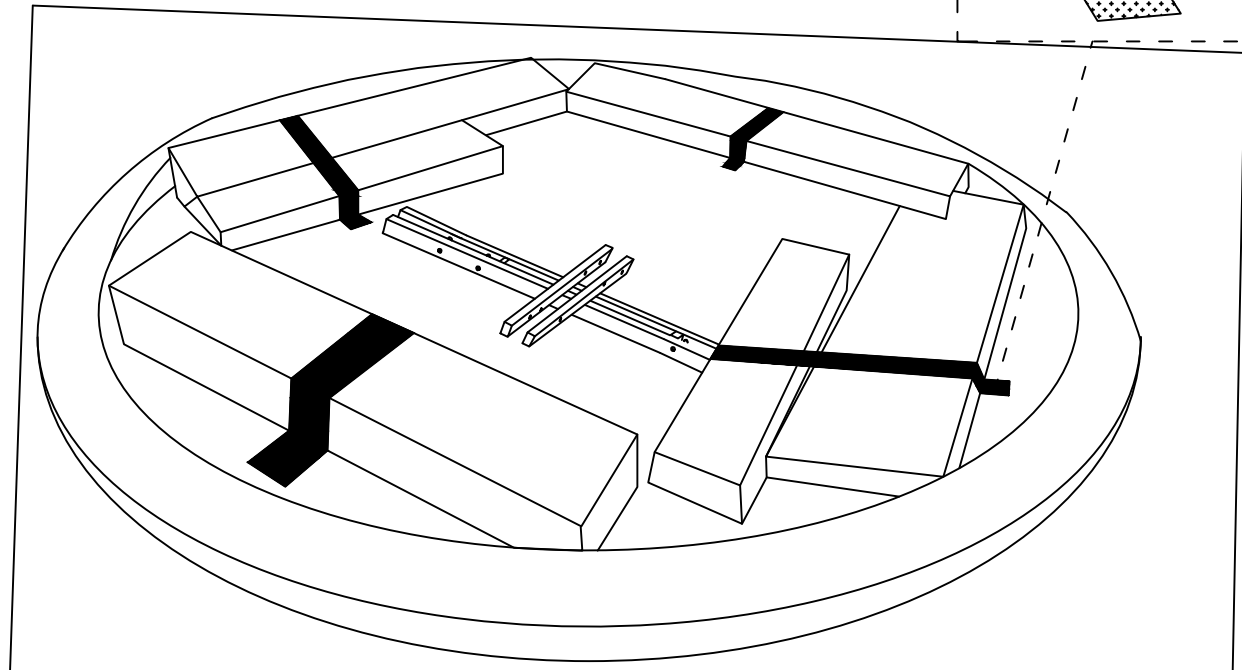
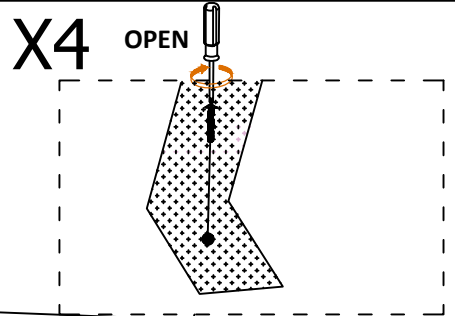
Hardware Pack :

<p>A</p> 	<p>B</p> 	<p>C</p> 
<p>Ø6X20(MM) 4PCS</p>	<p>Ø8X20(MM)16PCS</p>	<p>Ø8X50(MM)16PCS</p>
<p>D</p> 	<p>E</p> 	<p>F</p> 
<p>Allen Key M4</p>	<p>Ø8X16(MM) 16PCS</p>	<p>Allen key M6</p>
<p>3-9</p>		

1

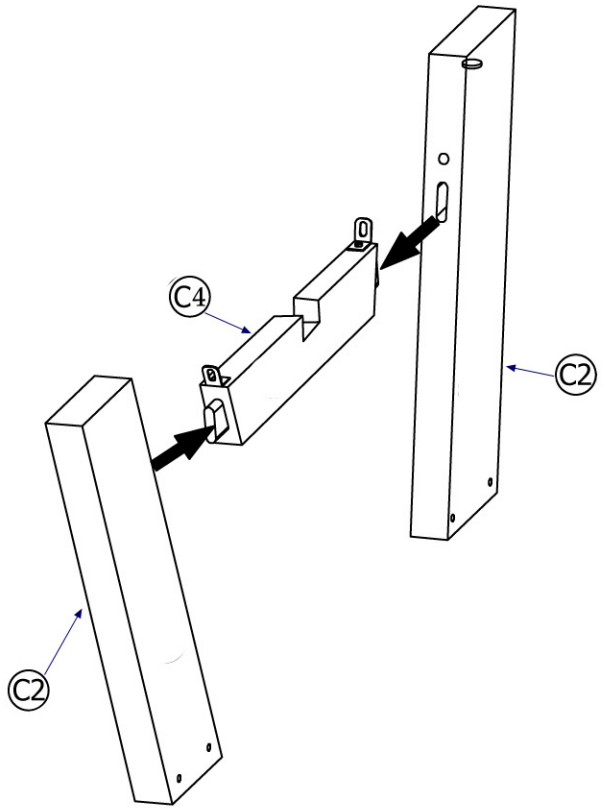


2

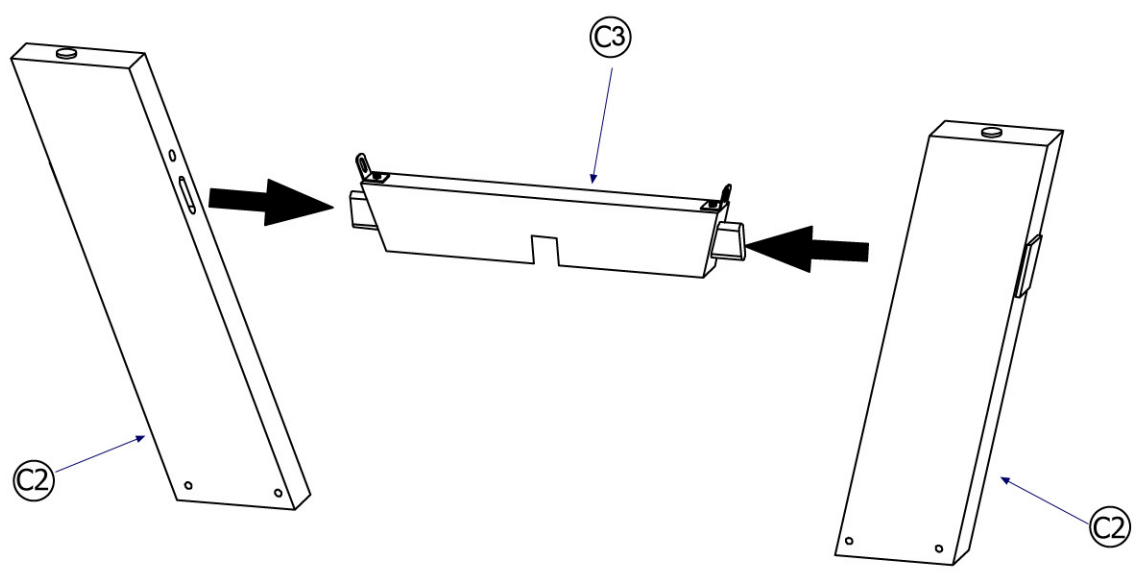


4-9

3

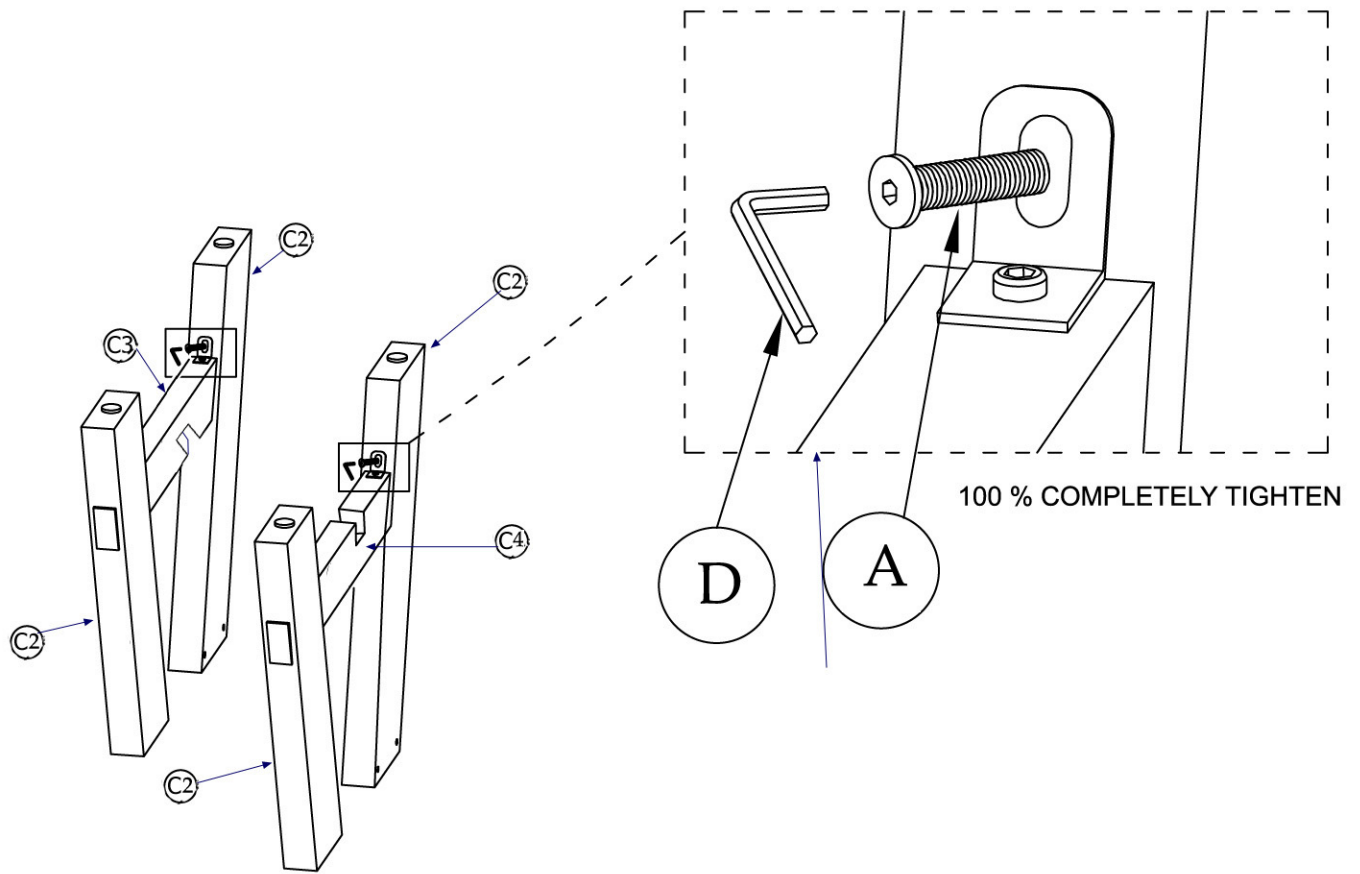


4

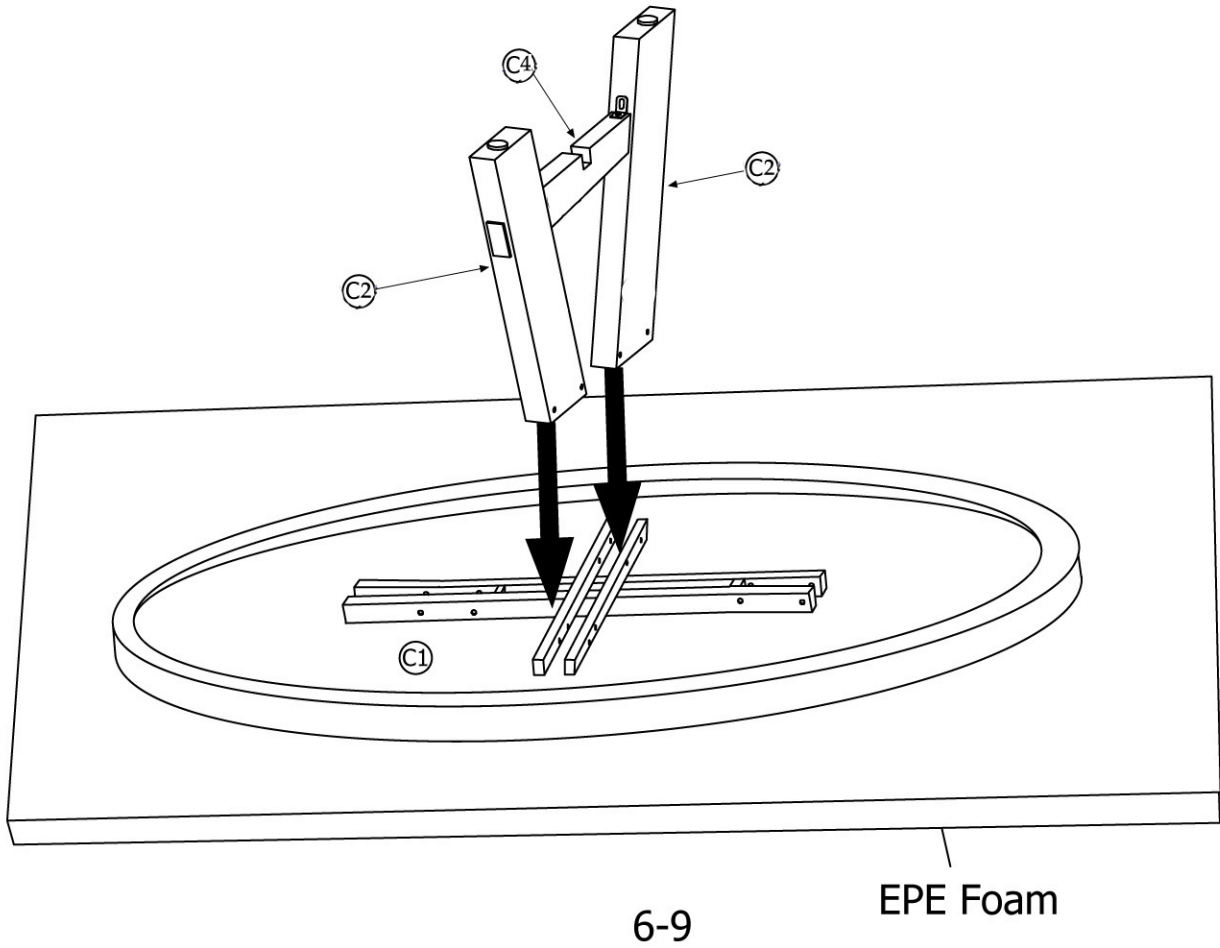


5

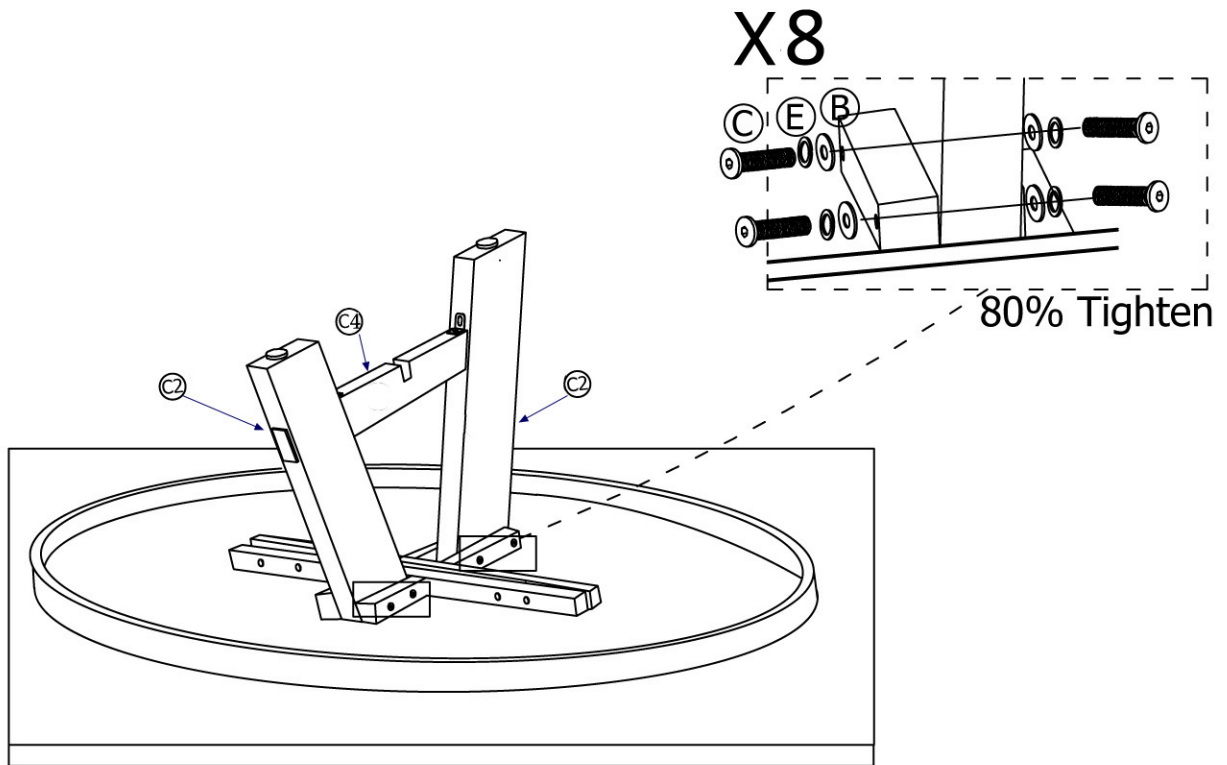
X4



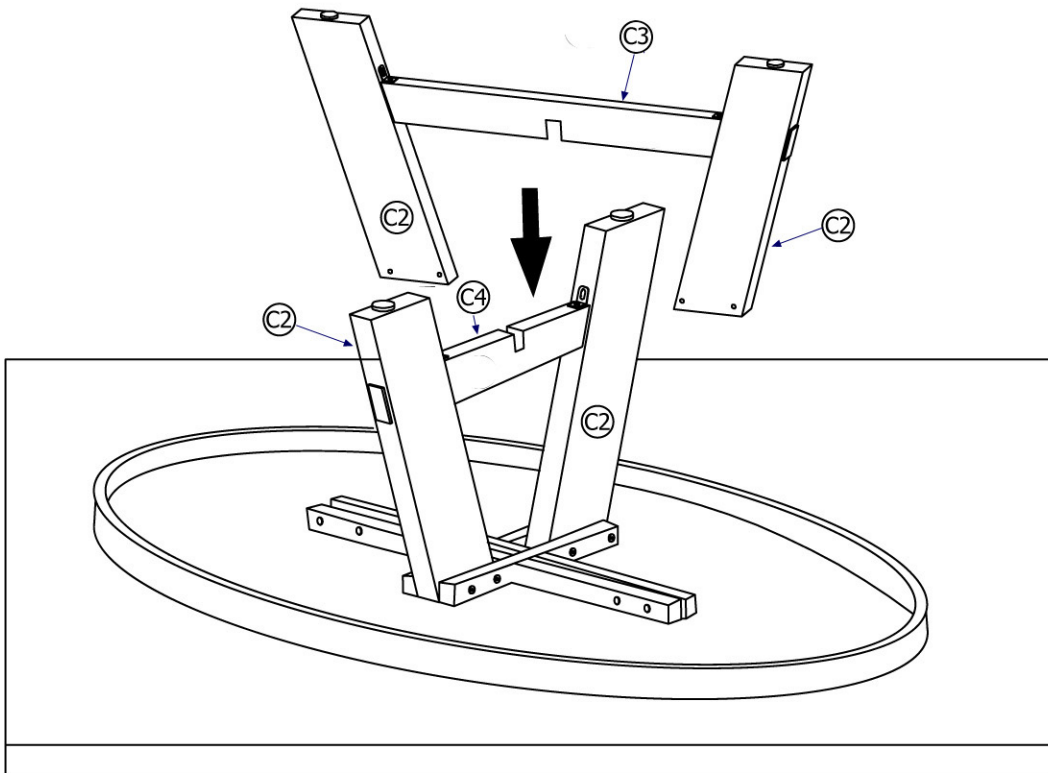
6



7



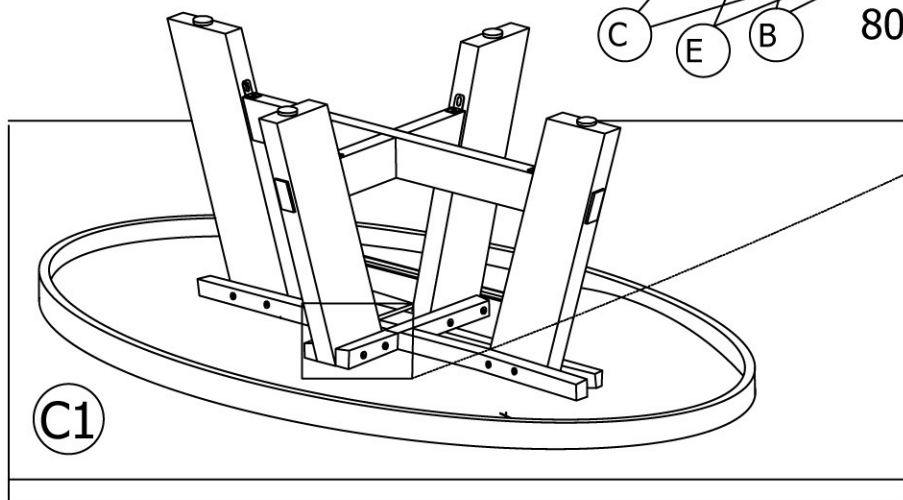
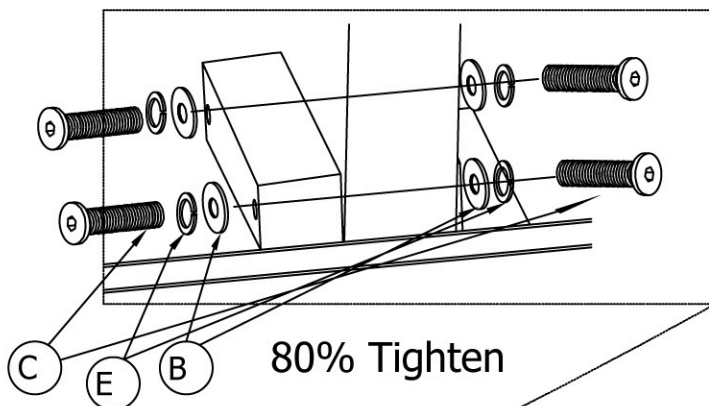
8



Put the second leg on the first leg, as the image shows.

9

X8



10

X4

