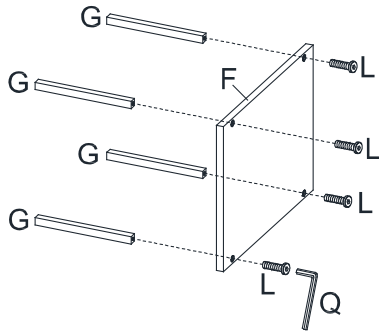


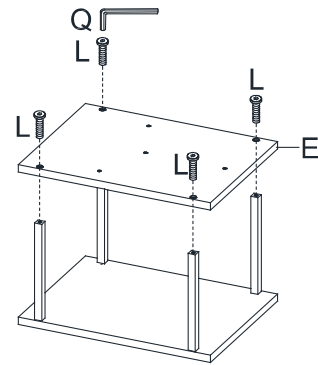
ASSEMBLY INSTRUCTION

A×1PC	B×1PC	C×1PC	D×1PC	E×1PC	F×1PC	G×4PCS	H×2PCS		
I×2PCS	J×1PC	K×1PC	L×21PCS	M×1PC	N×1PC	O×1PC	P×2PCS	Q×1PC	R×1PC

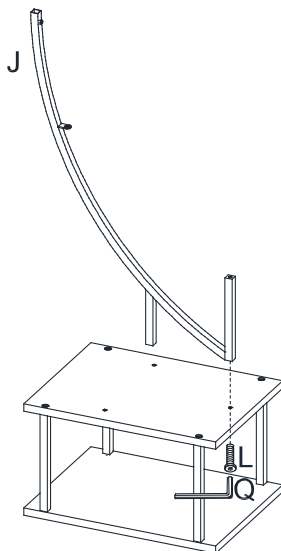
Step 1



Step 2

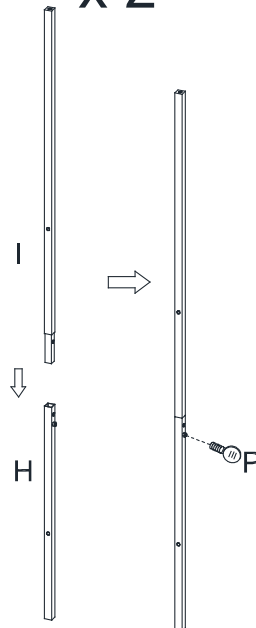


Step 3

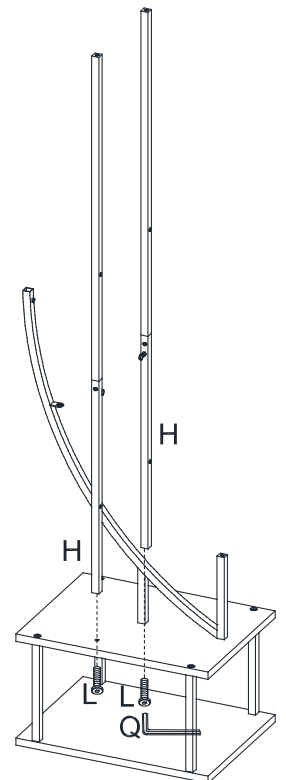


Step 4

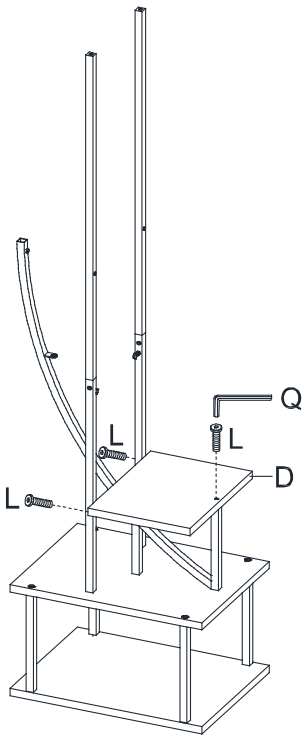
Step 4-1 x 2



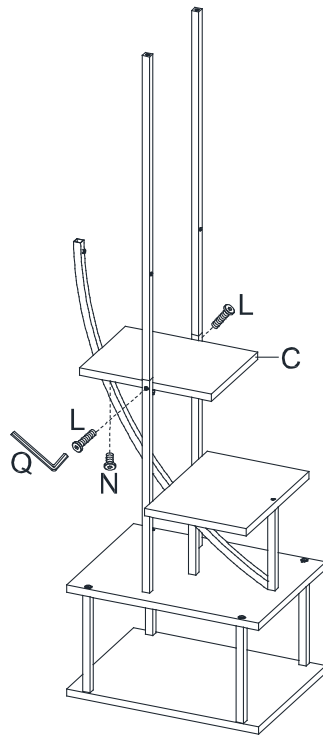
Step 4-2



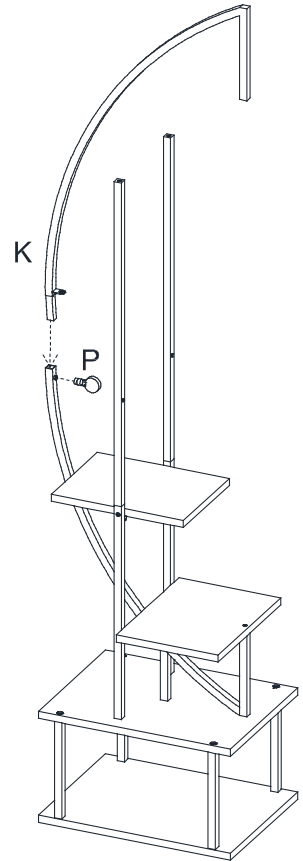
Step 5



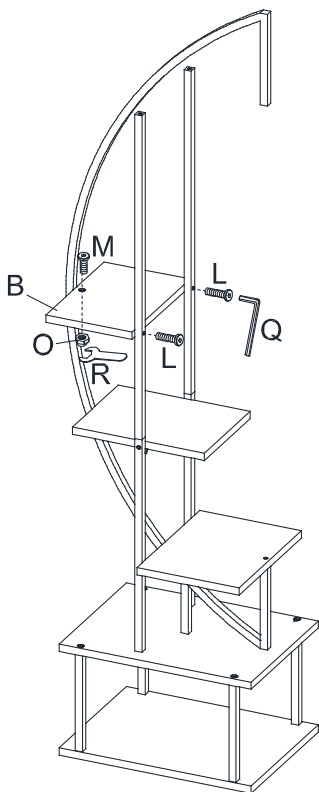
Step 6



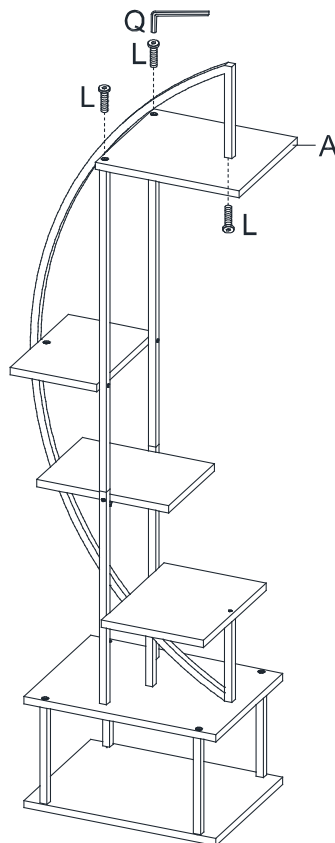
Step 7



Step 8



Step 9



Step 10

