

# ASSEMBLY INSTRUCTION

MODEL NUMBER:

## NOTES:

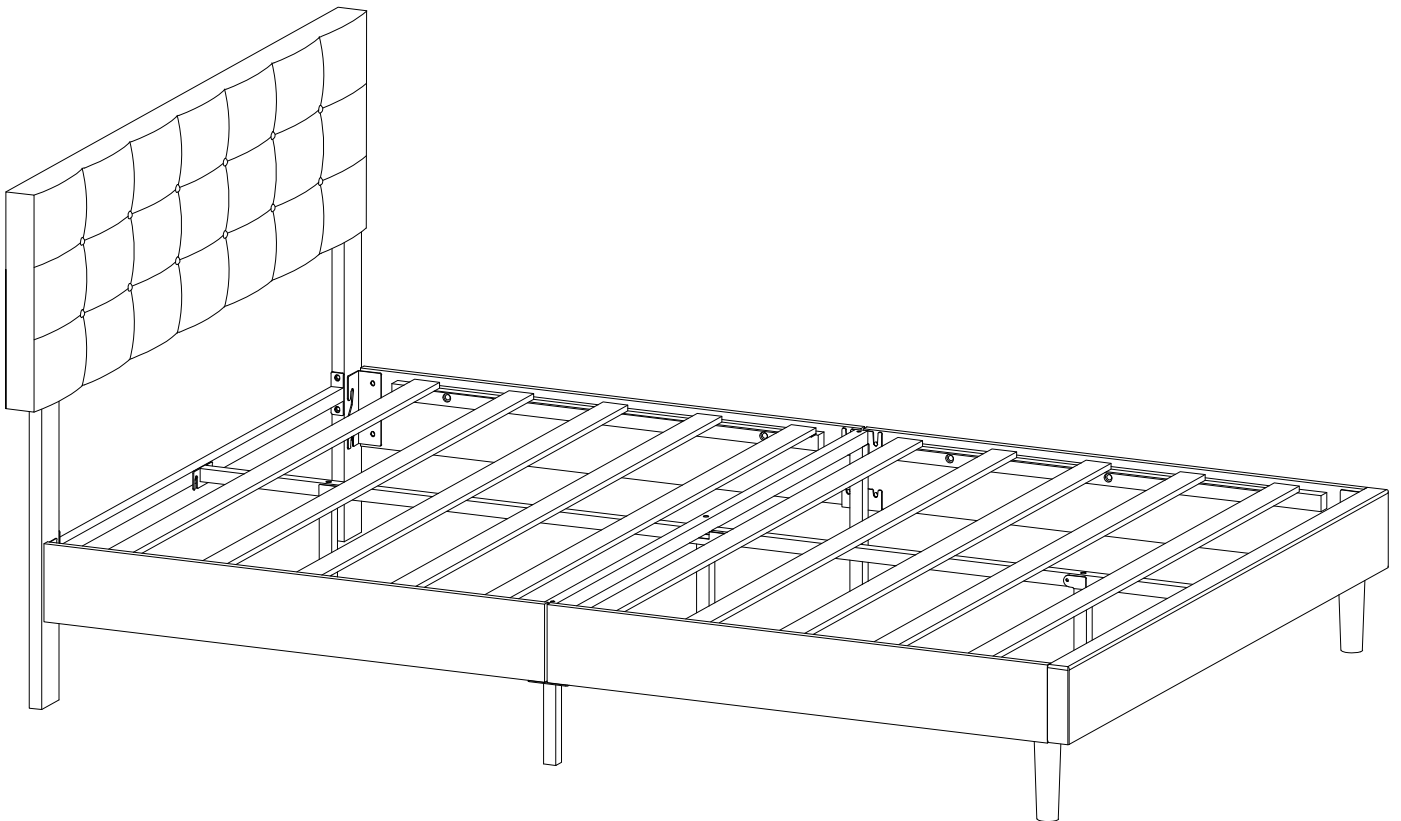
- Do not skip any step.
- Do not fully tight screws until all the bed parts are assembled.

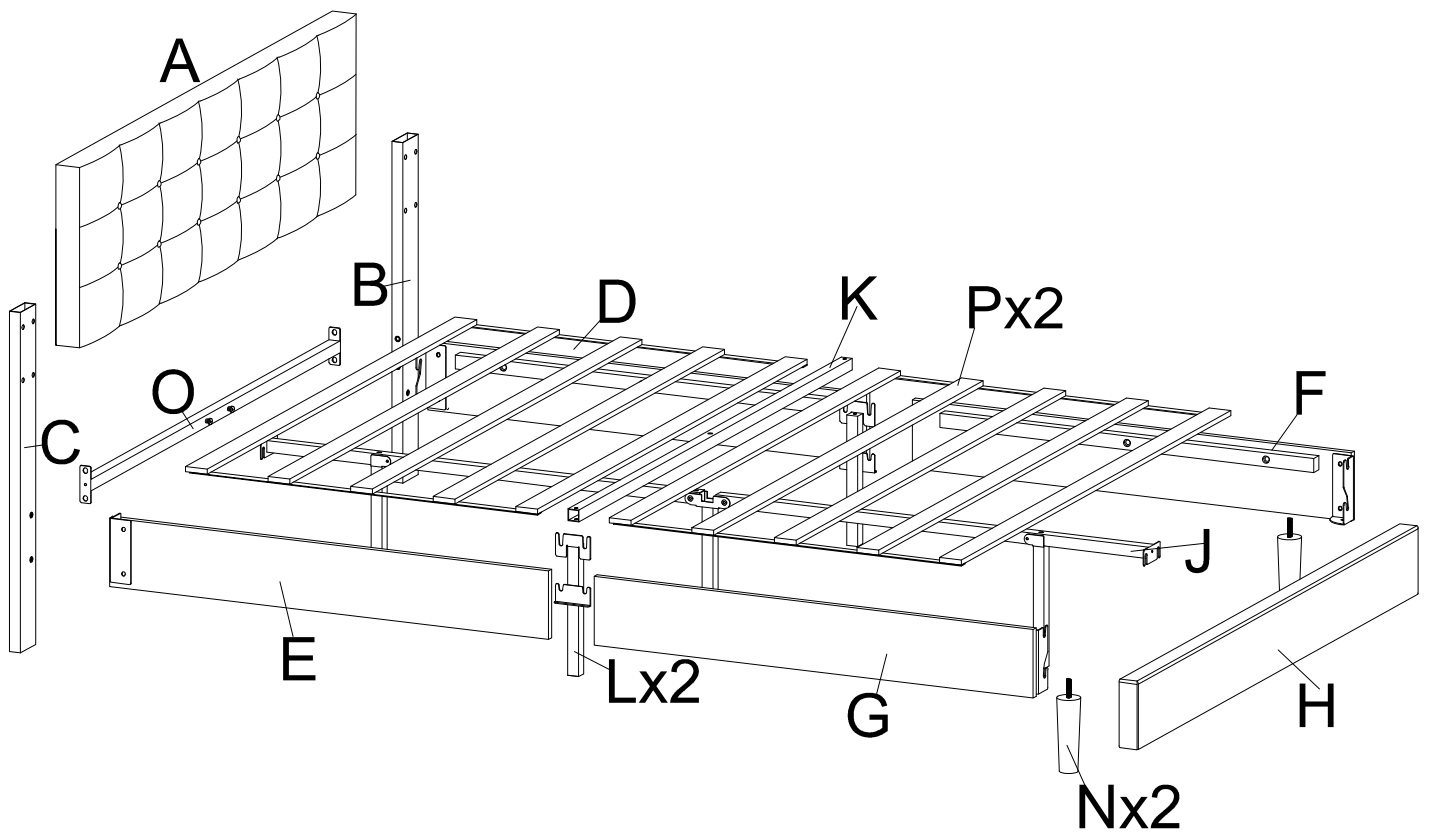
## WARNING:

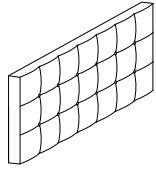
- WARNIND FOR YOUNG CHILDREN-This product contains small components,please ensure that they are kept away from small children while assembling.

## Warranty Information:

- We warranty this product to be free from defects in materials.This warranty covers one year from the date of original purchase.If u have any query about bed,pls contact our after -sale support email:



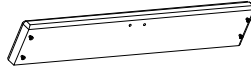


**A**

1PC

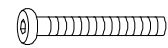
**H**

Comes with four (gg) screws



1PC

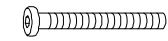
aa



M8x50

1

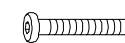
bb



M8x40

10

dd



M6x35

2

ee



5mm

1

ff



M8x15

4

gg



M8x25

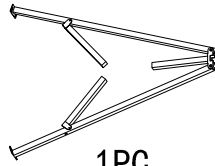
2

**B**

Comes with two (ff) screws



1PC

**J**

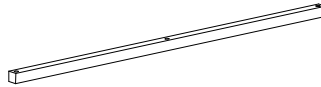
1PC

**C**

Comes with two (ff) screws



1PC

**K**

1PC

**D**

Comes with two (ff) screws



1PC

**L**

2PCS

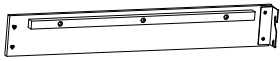
ii



1

**E**

Comes with two (ff) screws



1PC

**N**

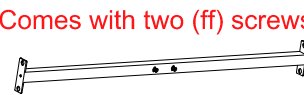
2PCS

**F**

Comes with two (ff) screws



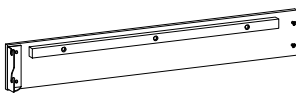
1PC

**O**

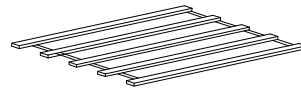
1PC

**G**

Comes with two (ff) screws



1PC

**P**

2PCS

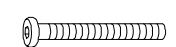
SPARE

aa



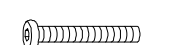
1

bb



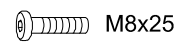
1

dd



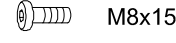
1

gg

M8x25  
Screws on the board

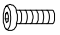

2

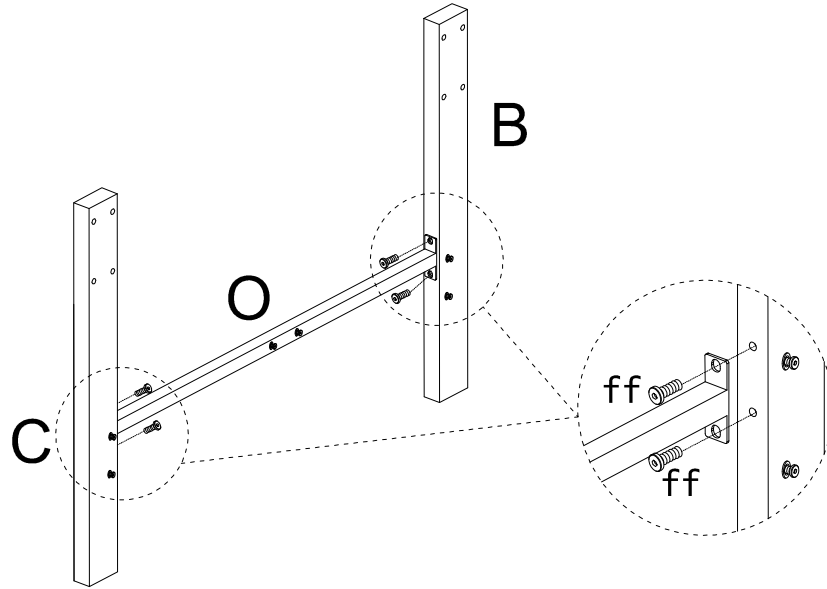
ff

M8x15  
Screws on the board

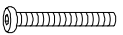

3

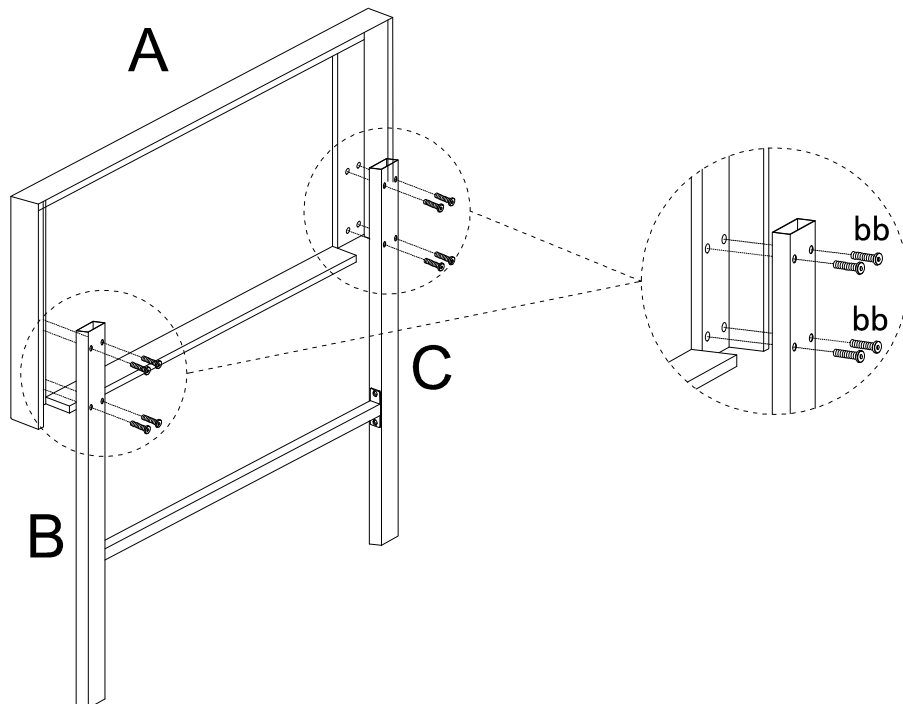
Step 1

ff		M8x15	4
ee		5mm	1





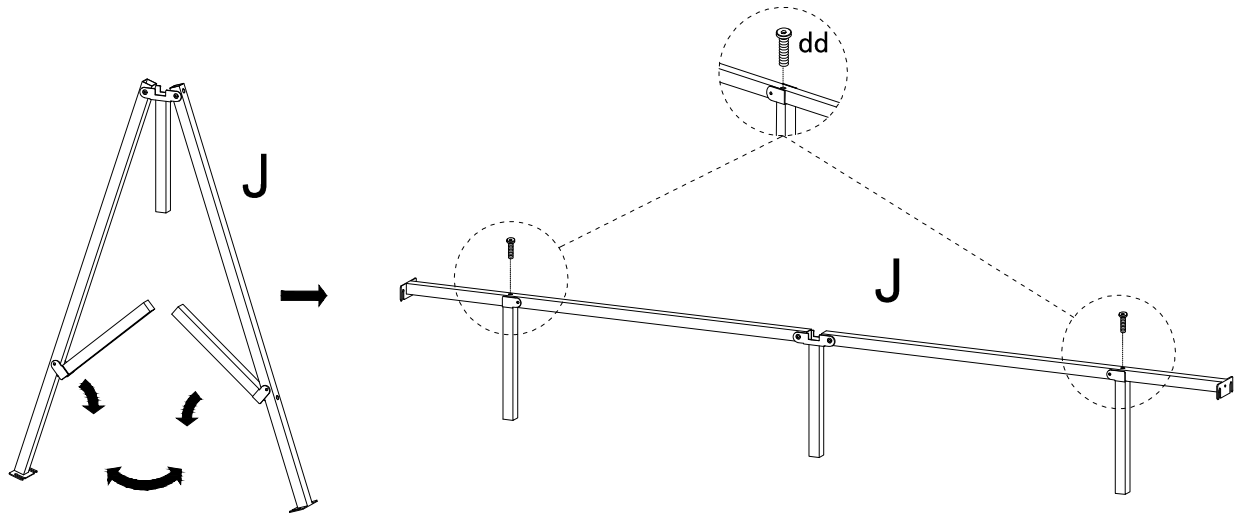
Step 2

bb		M8x40	8
ee		5mm	1

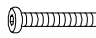



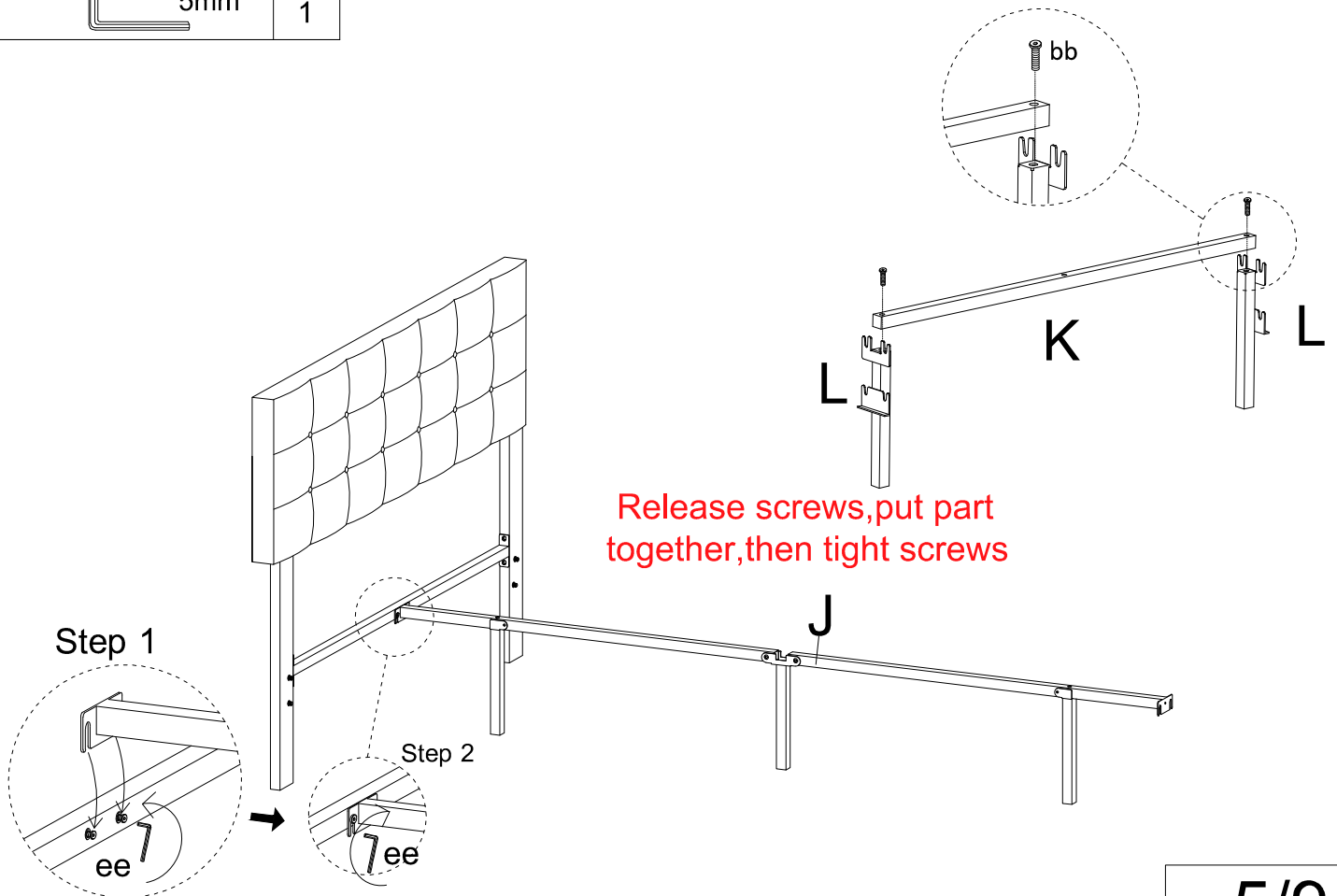
# Step 3

dd		M6x35	2
ee		5mm	1

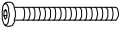



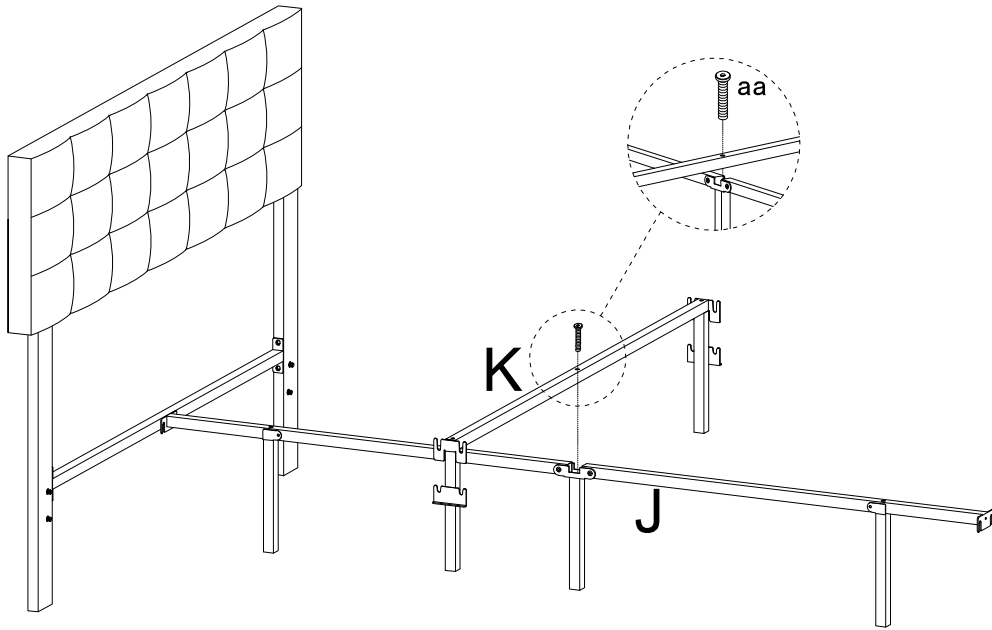
# Step 4

bb		M8x40	2
ee		5mm	1




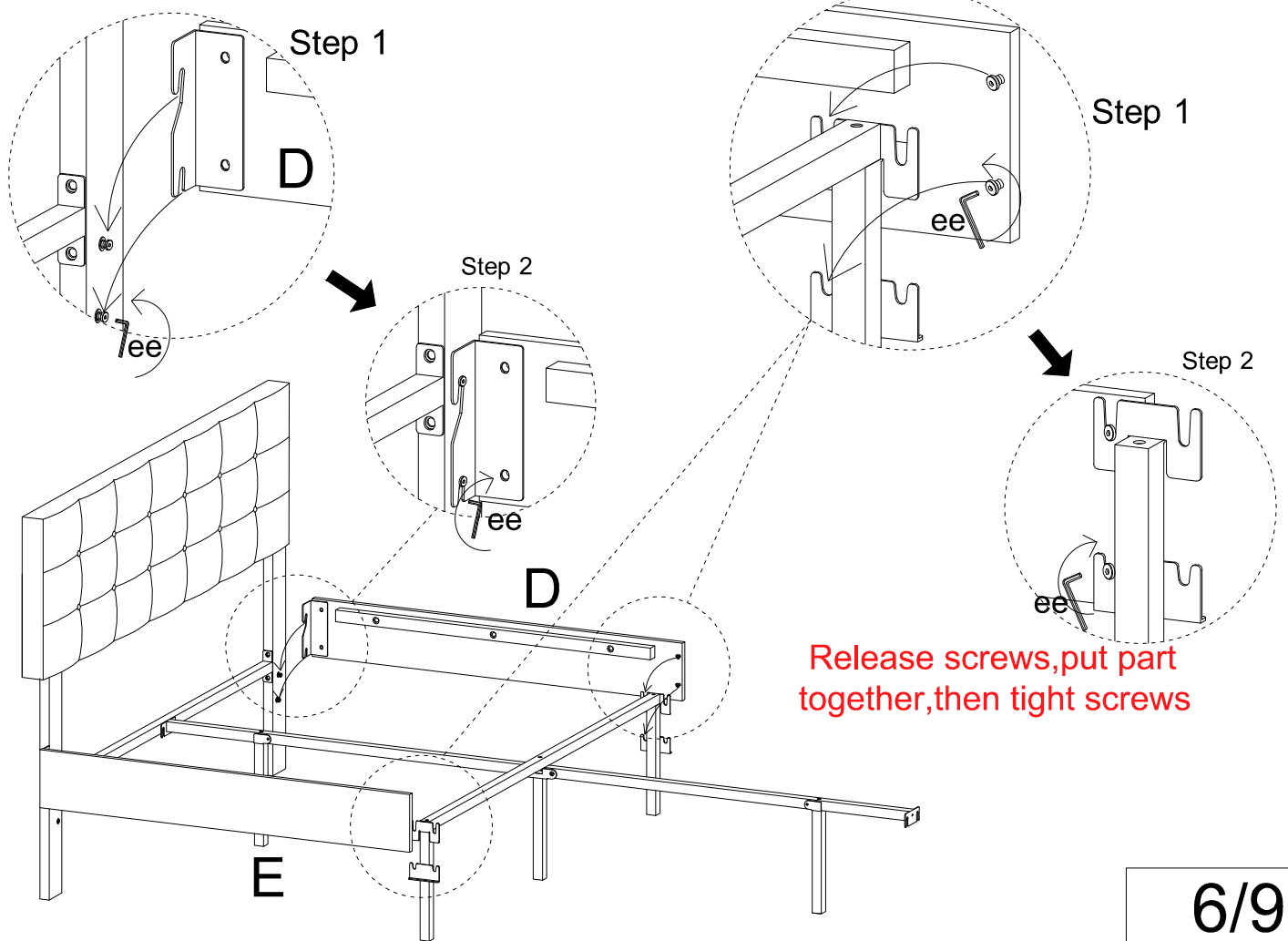
# Step 5

aa		M8x50	1
ee		5mm	1



# Step 6

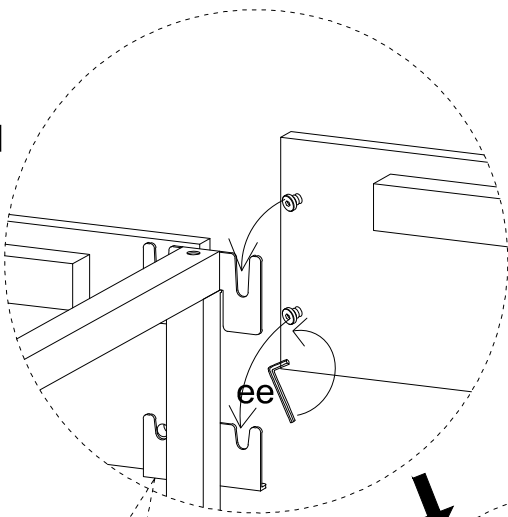
ee		5mm	1
----	---	-----	---



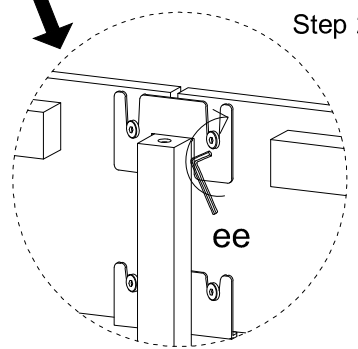
ee 5mm 1

# Step 7

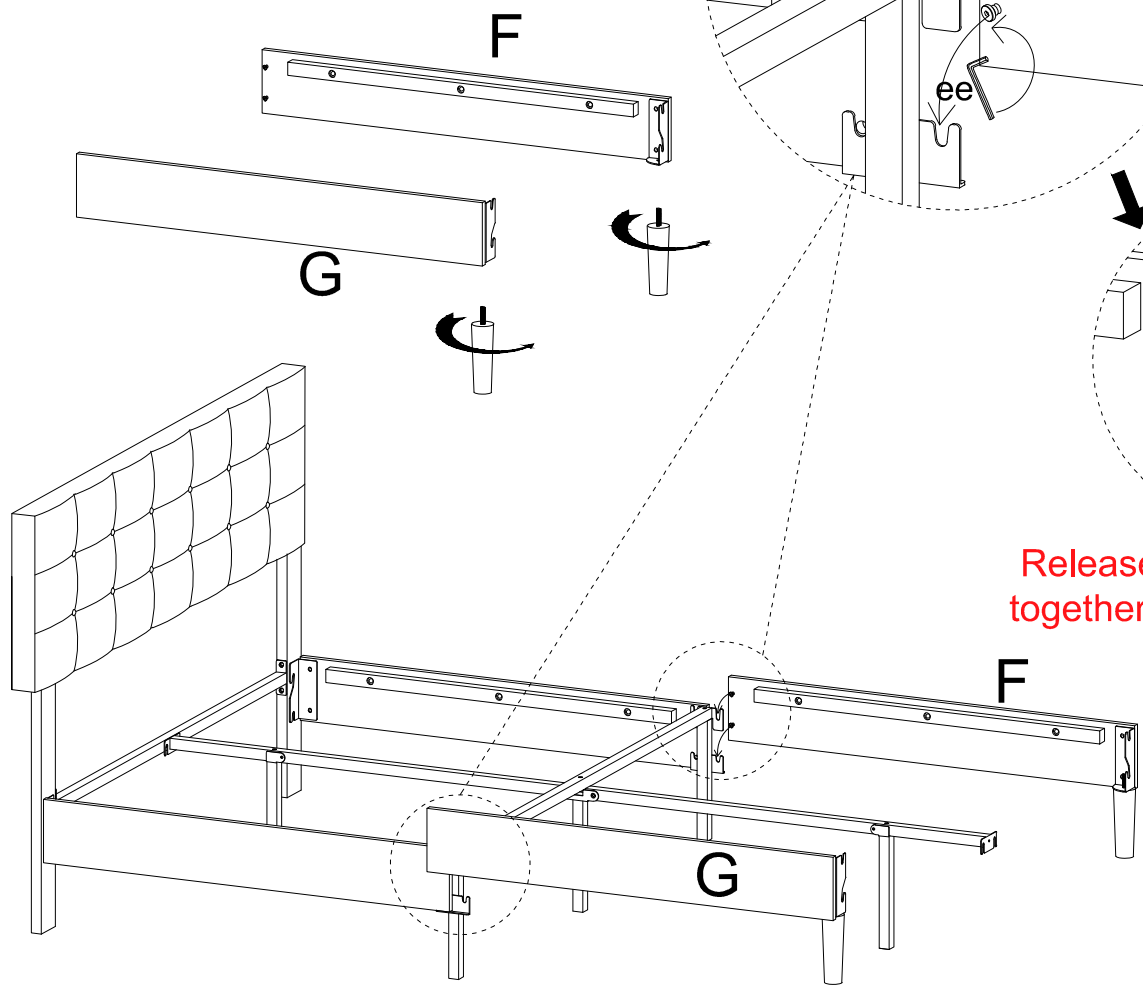
## Step 1



## Step 2



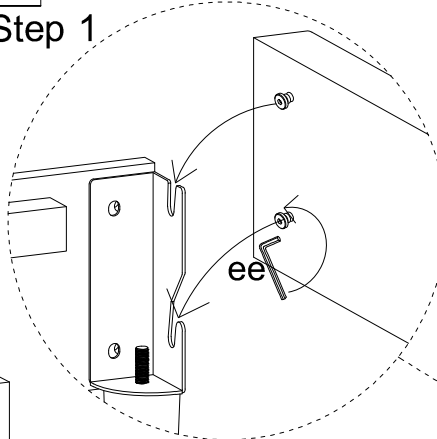
Release screws, put part together, then tight screws



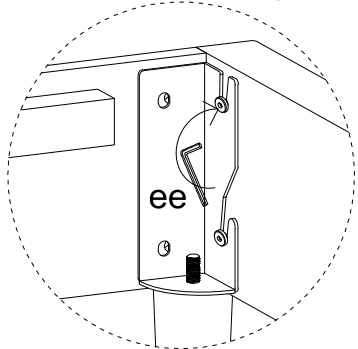
ee 5mm 1

# Step 8

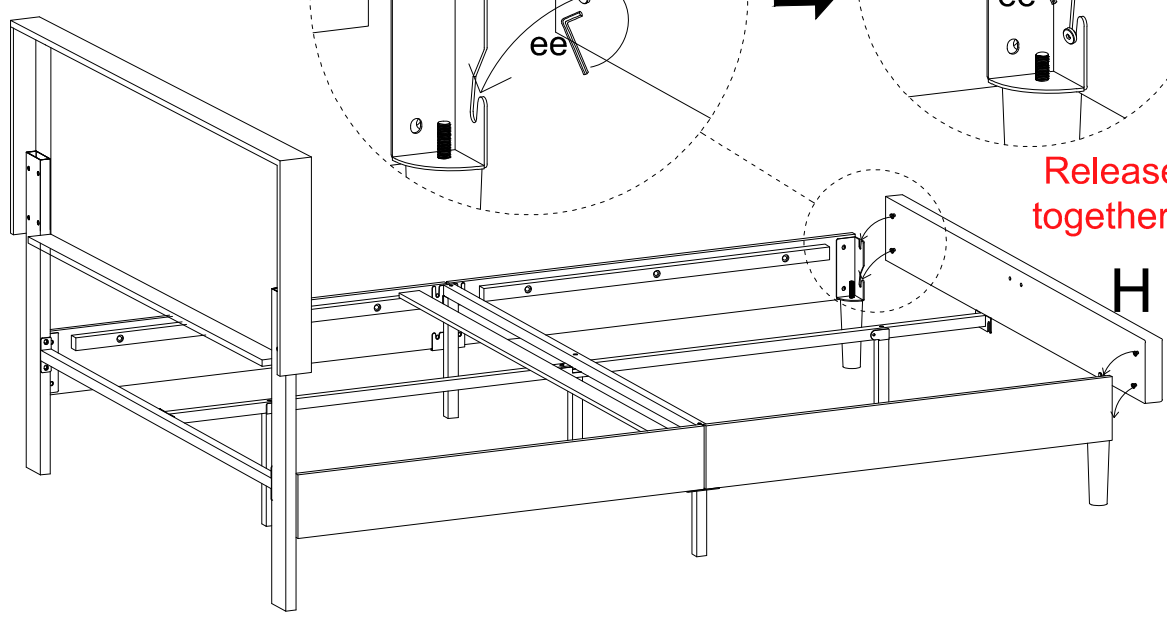
## Step 1

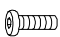




## Step 2



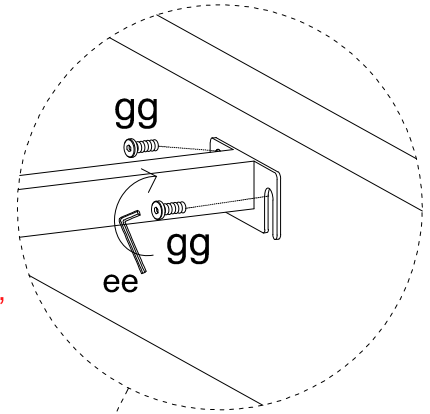
Release screws, put part together, then tight screws



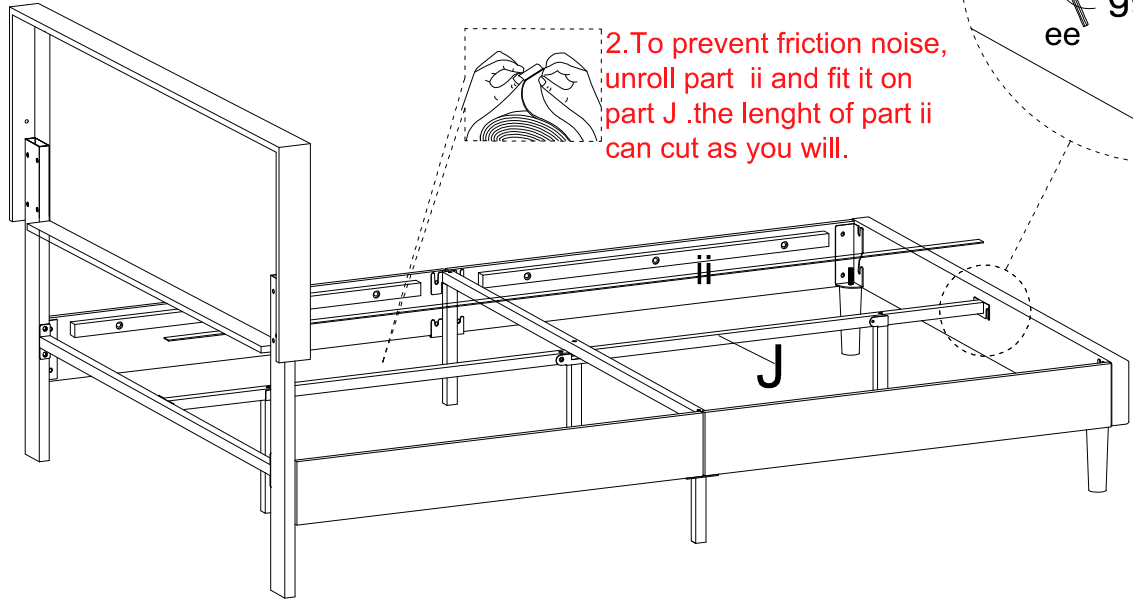
gg		M8x25	2	ee		5mm	1
ii			1				

# Step 9

1. Tighten screw gg



2. To prevent friction noise, unroll part ii and fit it on part J. the length of part ii can cut as you will.



# Step 10

