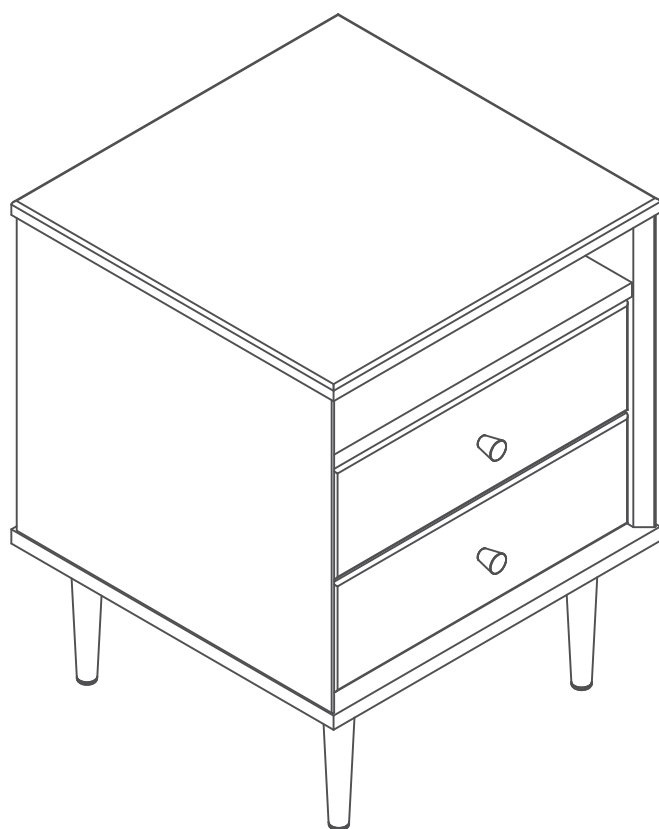


Night Stand
Table de chevet
Mesa de noche



Get ready for assembly!
Préparez-vous à l'assemblage!
Prepárese para el montaje!



WARRANTY / GARANTIE / GARANTÍA

5-year Warranty on furniture manufactured by us and 1 year warranty on other furniture and décor accesories.

Our furniture is like family to us. And we never turn our back on family.

Our commitment to our furniture -- and to you -- doesn't end the minute you've purchased the piece. We offer a 5-year warranty on all of our manufactured furniture pieces.

1. We provides the original buyer with a warranty covering "defects" on furniture parts and workmanship for a period of 5 years from the date of purchase for products manufactured by us. We offer a 1-year warranty from the date of purchase to the original buyer on the products and decor accessories identified and presented with this warranty. The 1-year warranty covers defects on parts and workmanship.

2.The word defect" as used in this warranty is defined as any imperfection that may impair the use of the product for which it was intended.

3.This warranty is s trictly limited to the repair or replacement of defective components and parts. This warranty excludes all other direct or indirect charges and expenses according to the limit permitted by law in your state/province.

4.In the event can not replace a part its responsibility can not exceed the value or cost of production of that part or the replacement retail value of the defective item,

5.This warranty only applies under conditions of normal domestic use. It does not cover defects resulting from intentional damage, negligence, abuse, commercial use, product modification, accidents, exposure to the elements,or maintenance that does not comply with the guidelines in the assembly guide.

The warranties offered by us do not apply to the products of our partners on the Local showcase section of the web site ; each of those partners/ manufacturers sell its products on our web platform but offer its own warranty and details can be found on the product page of applicable products.

10-year Warranty on Workplace products BIFMA tested and 5-year / 2-year on height-adjustable working tables

1. Our provides the original buyer with a warranty covering "defects" on furniture parts and workmanship for a period of 10 years from the date or purchase Workplace BIFMA tested products.

2. Our Furniture provides the original buyer of a height-adjustable table with a 5-year warranty from the date of purchase on the structure elements and a 2-year warranty on the electronic components. This warranty covers defects on parts and workmanship.

3. The word "defect" as used in this warranty is defined as any imperfection that may impair the use of the product for which it was intended.

4. This warranty is strictly limited to the repair or replacement of detective components and parts. This warranty excludes all other direct or indirect charges and expenses according to the limit permitted by law in your state/province.

5. In the event can not replace a part its responsibility can not exceed the value or cost of production of that part or the replacement retail value of the defective item,

6. This warranty only applies under conditions of normal use. It does not cover defects resulting from intentional damage, negligence, abuse, product modification, accidents,exposure to the elements, or maintenance that does not comply with the guidelines in the assembly guide.

7. When applying this warranty reserves the right to ask for the proof of purchase of the original buyer.

8. This warranty is only valid on purchases made at authorized retailers in Canada, the U.S.A. and Mexico.

30-day return policy on décor accessories

If you are not completely satisfied with a non-furniture item you purchased, please contact us within 30 days of delivery to arrange for the exchange of, or a refund on, your unused item. We will send a courier over to take the item from your home. You will be charged a return shipping fee equal to 15% of the cost of the items returned. We reserves the right to refuse a return or an exchange if any condition is not met.

We do not accept:

Returns unless the item is unused and in its original packaging.

Returns or exchanges on bedding (comforters, duvet covers, coverlets, bedsheets, pillows, duvets, and crib sets) that has been opened or used, or on any product that has been modified, altered or washed.

Returns on any mattress or stuffed/upholstered products without their legal label.

1

Let's get handy!

Mettons-nous au travail ! / ¡ Vamos a ponernos prácticos !

01



02



03



04

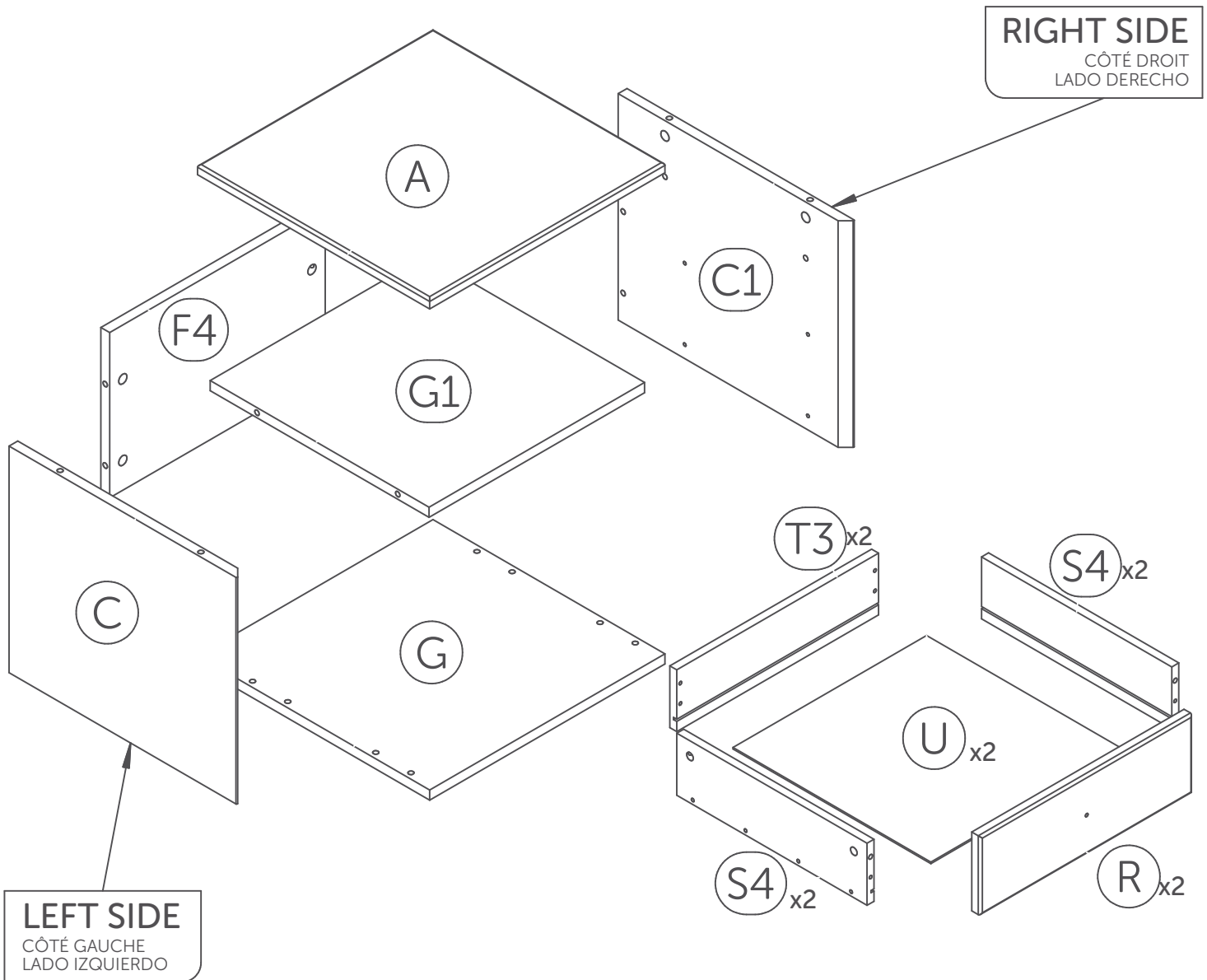
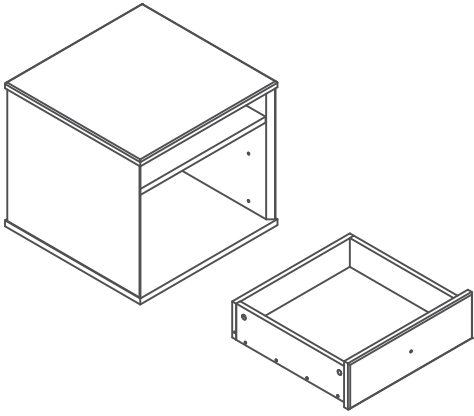


05

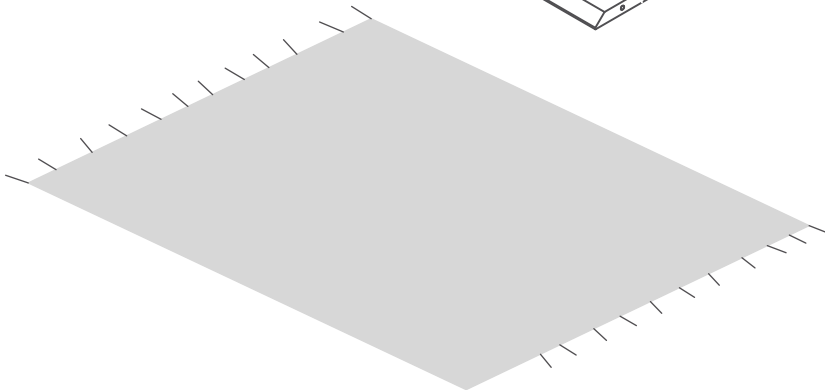
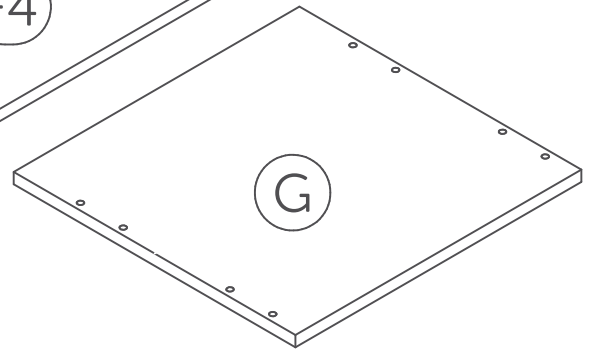
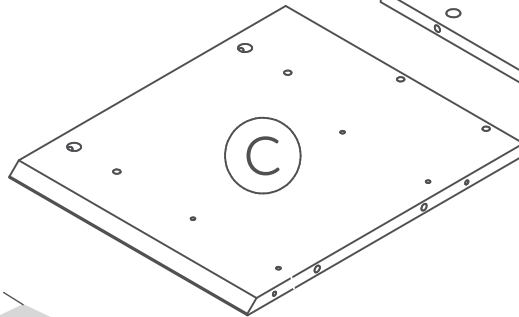
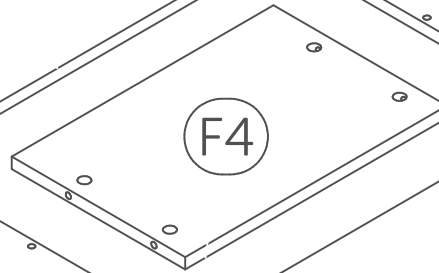
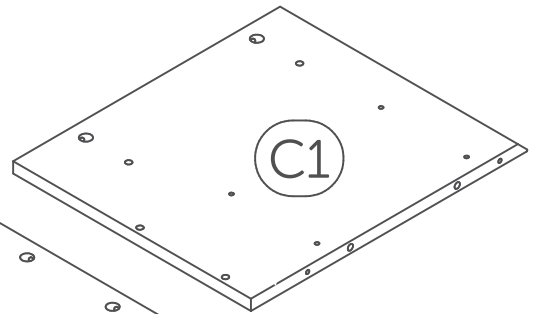
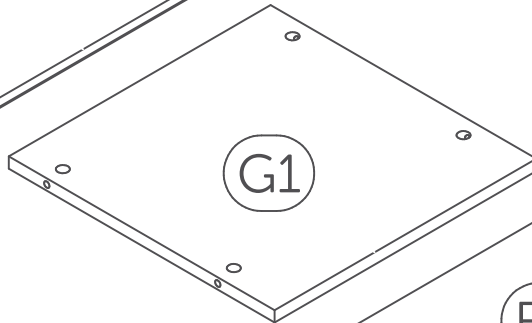
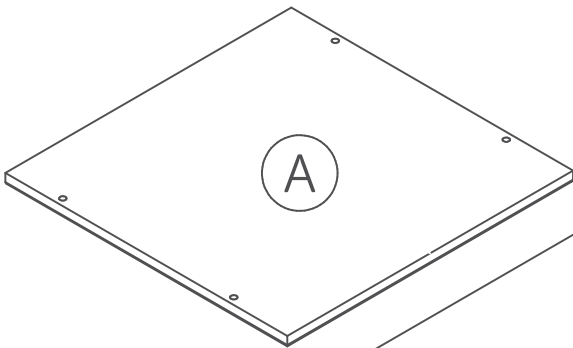
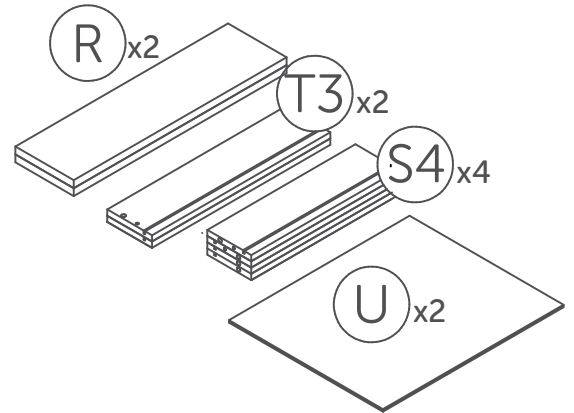
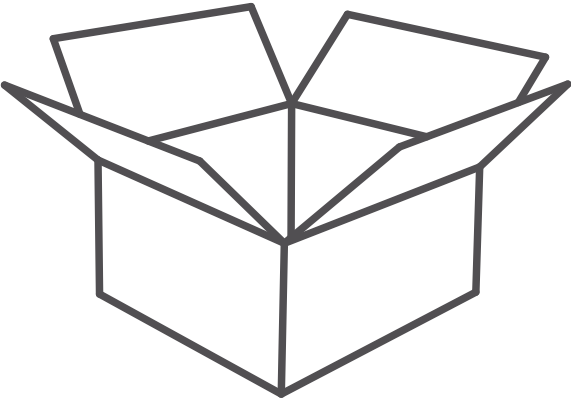


2

Collect the pieces together
Rassembler les morceaux ensemble
Poner las piezas juntas

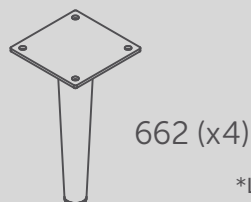
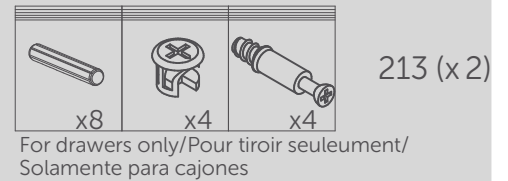
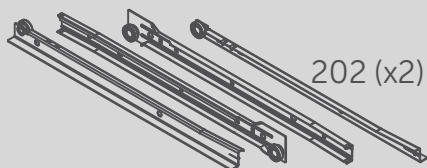
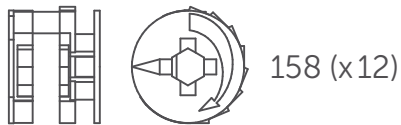
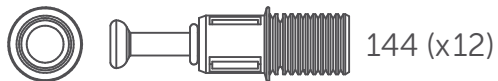
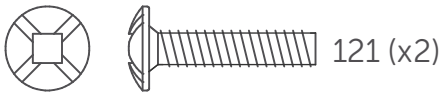
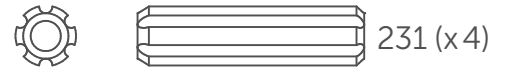
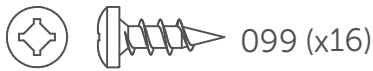
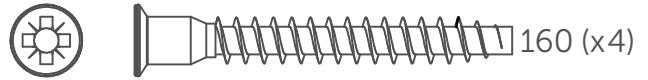


The image may differ depending on model
L'image peut différer selon le modèle
La imagen variará dependiendo del modelo



3

Collect the hardware Rassembler la quincaillerie Reunir los artículos de ferretería



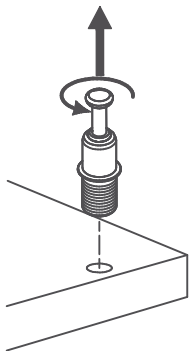
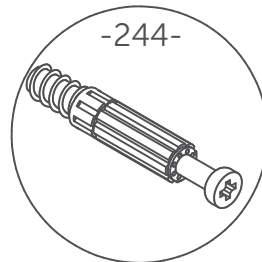
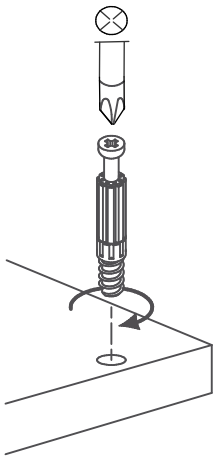
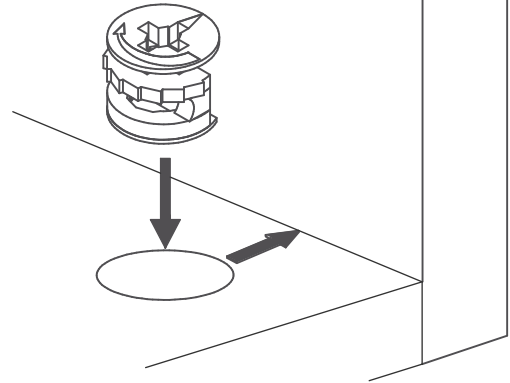
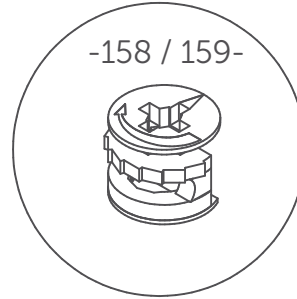
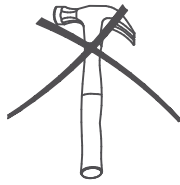
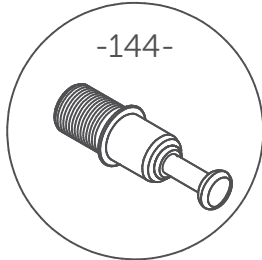
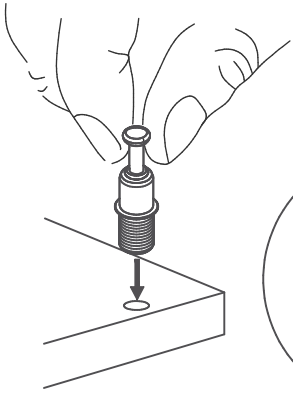
*Hardware package may have spare parts.
*Le sac de quincaillerie peut contenir des pièces de remplacement.
*La bolsa de herraje puede contener piezas adicionales de repuesto.

4

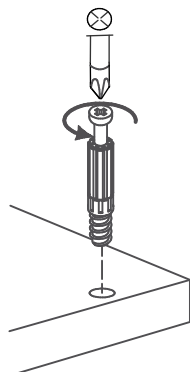
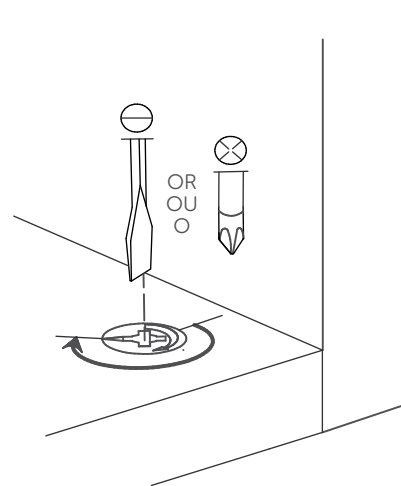
Things to remember for assembly

À retenir lors de l'assemblage

A recordar durante el ensamblaje

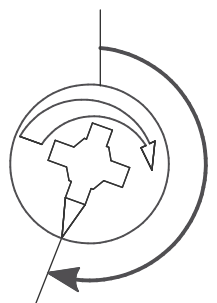


To remove: Twist and pull
Pour enlever: Tourner et tirer
Para retirar: Girar y tirar

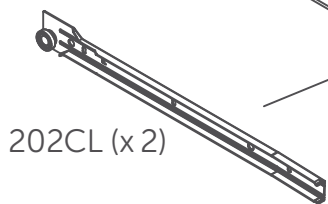
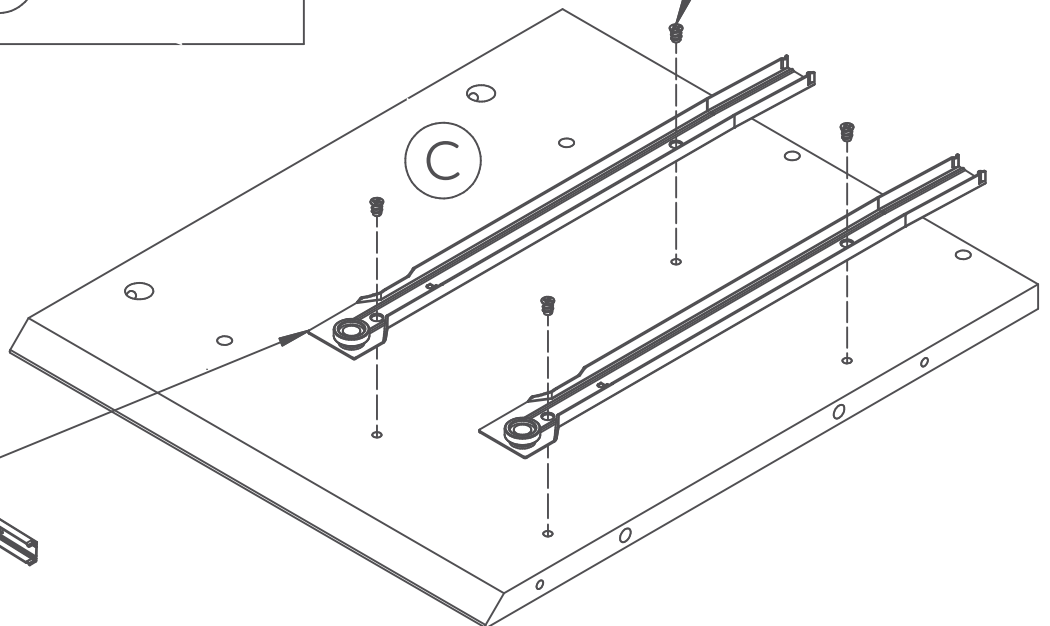
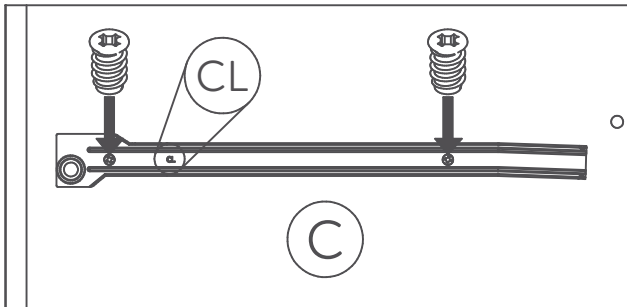
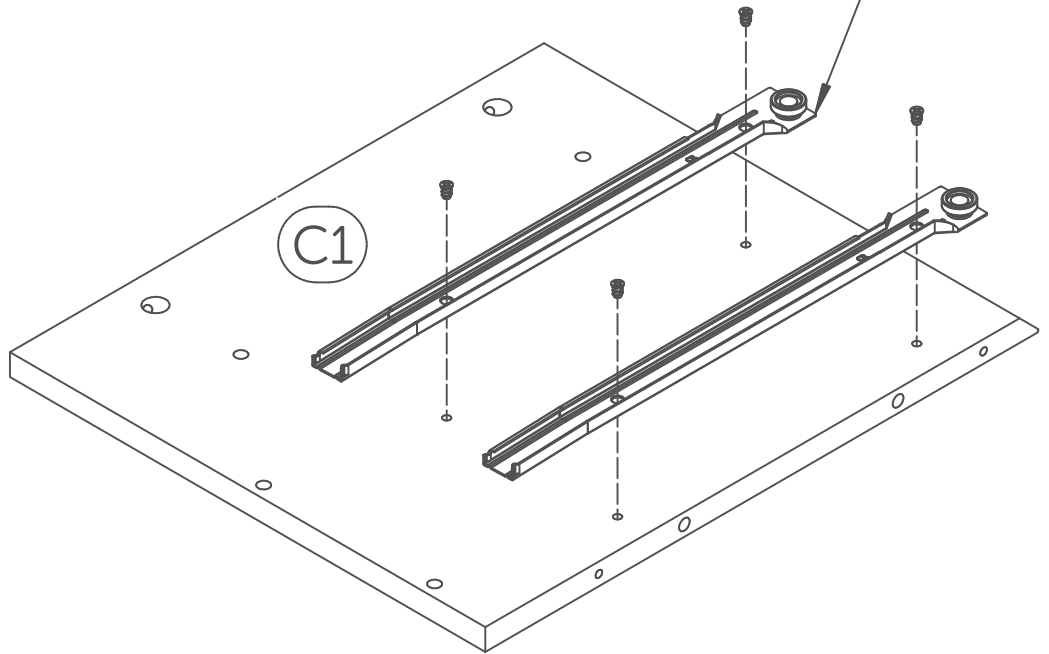
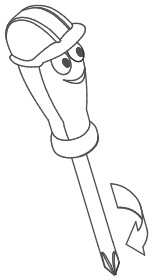
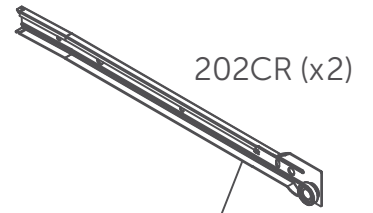
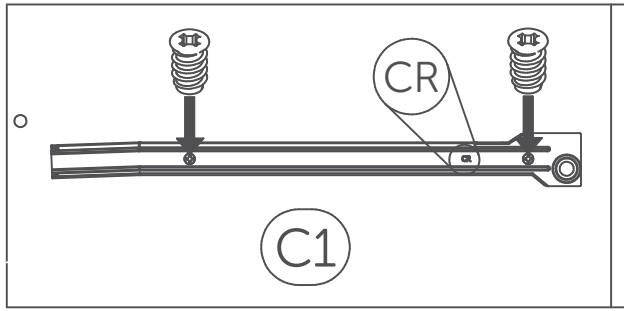


To remove: unscrew
Pour enlever: dévisser
Para retirar: desatornillar

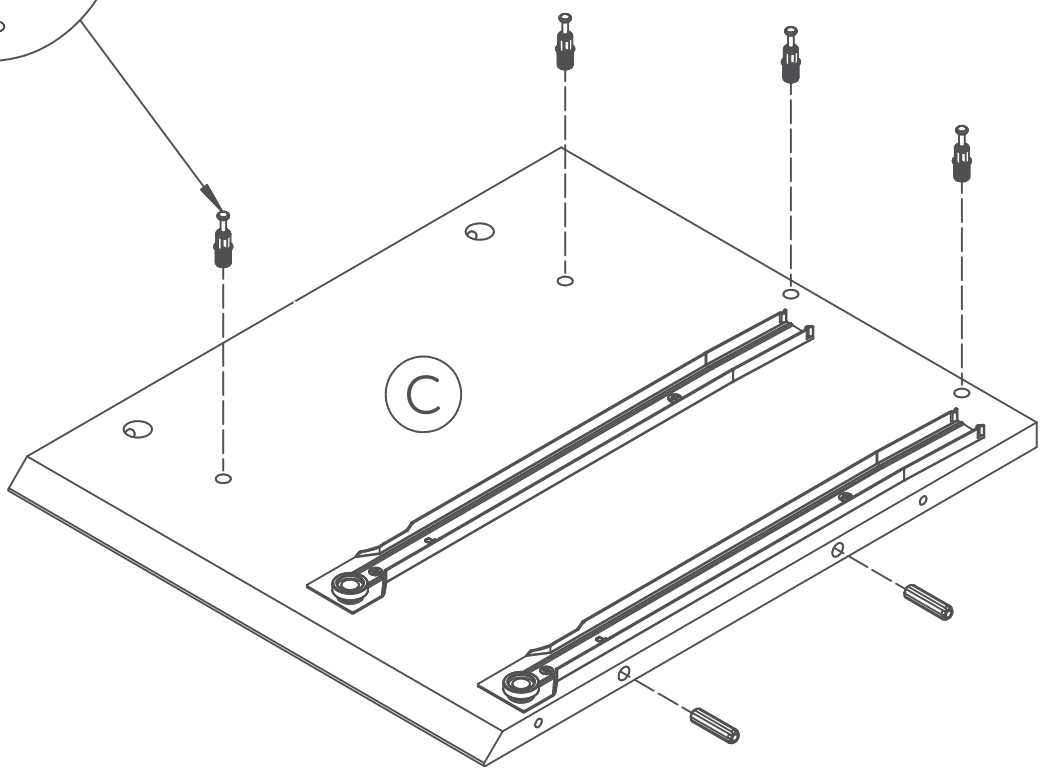
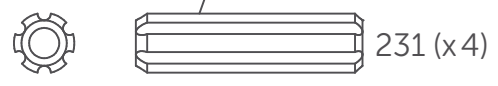
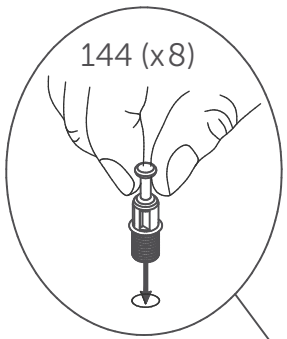
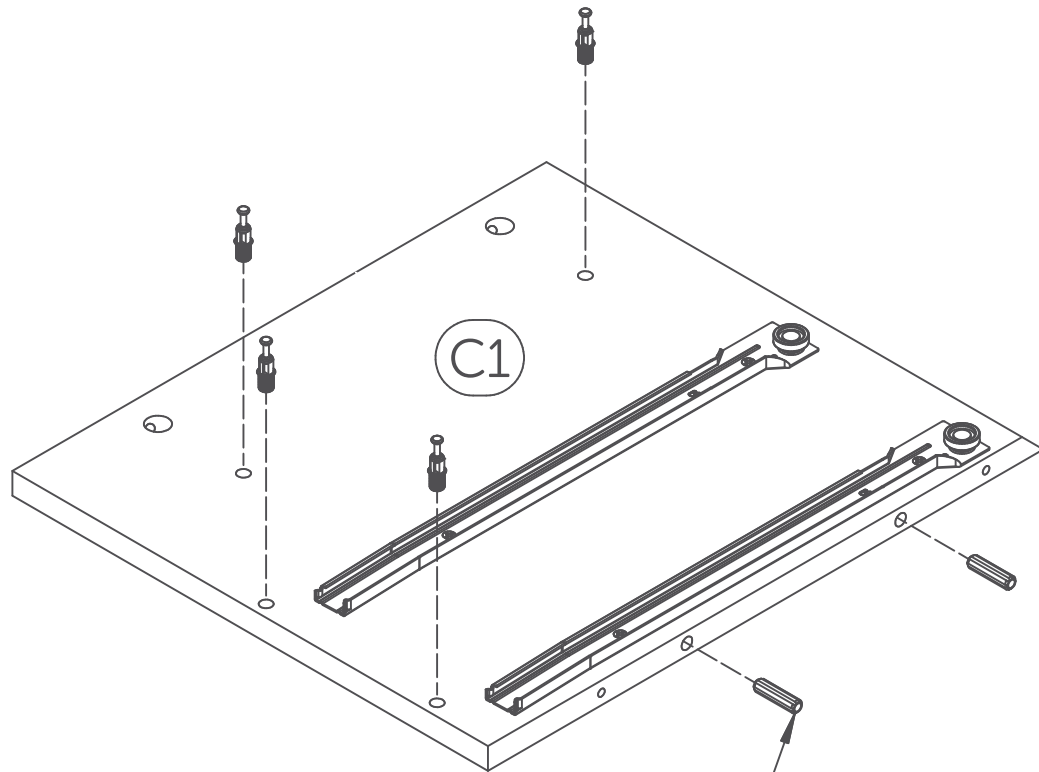
Screw past the halfway point
Visser plus qu'un demi tour
Atornillar más de media vuelta



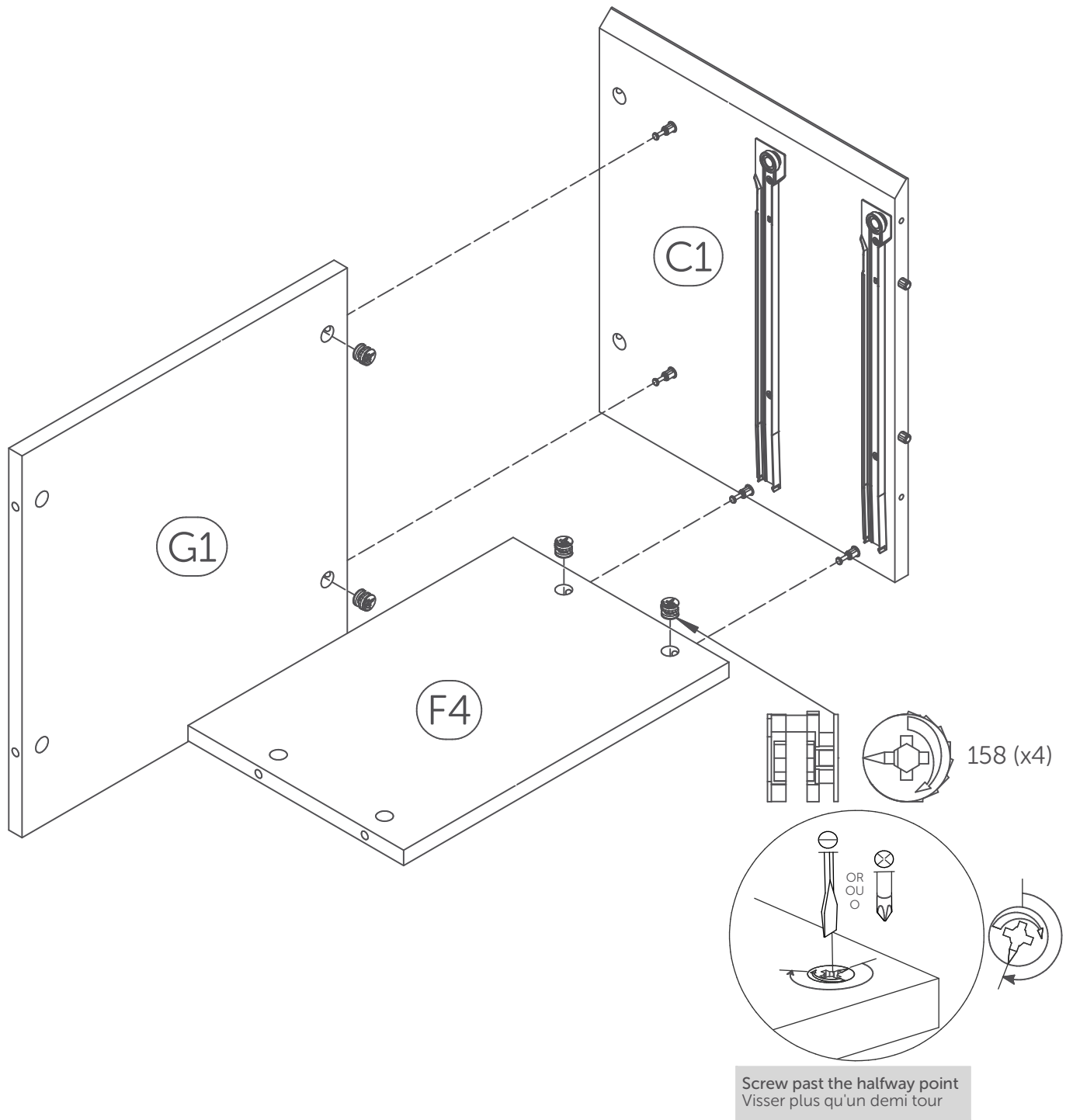
5

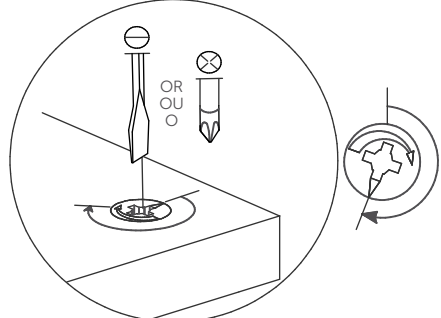
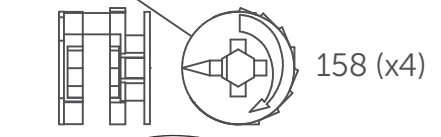
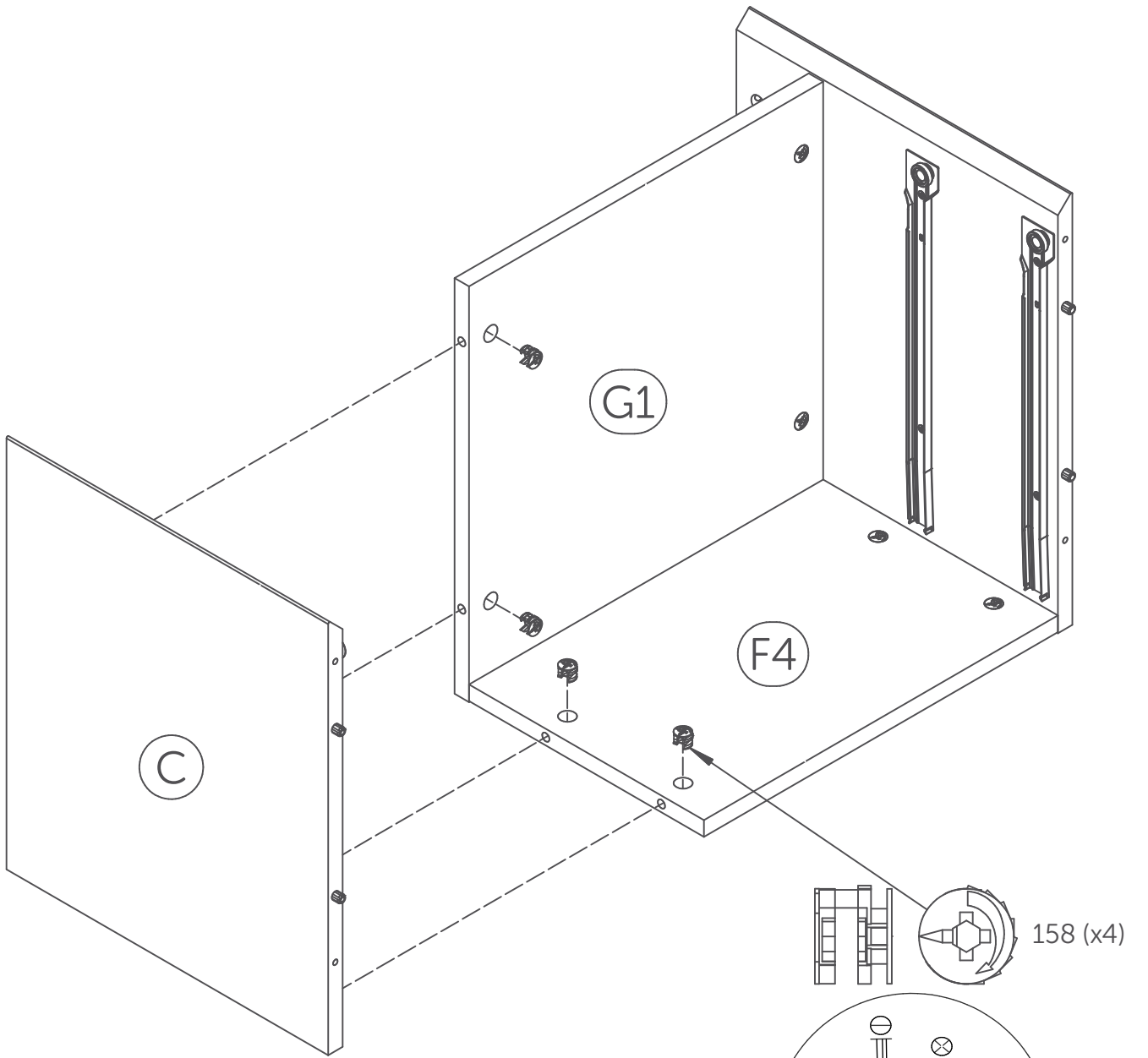


6



7

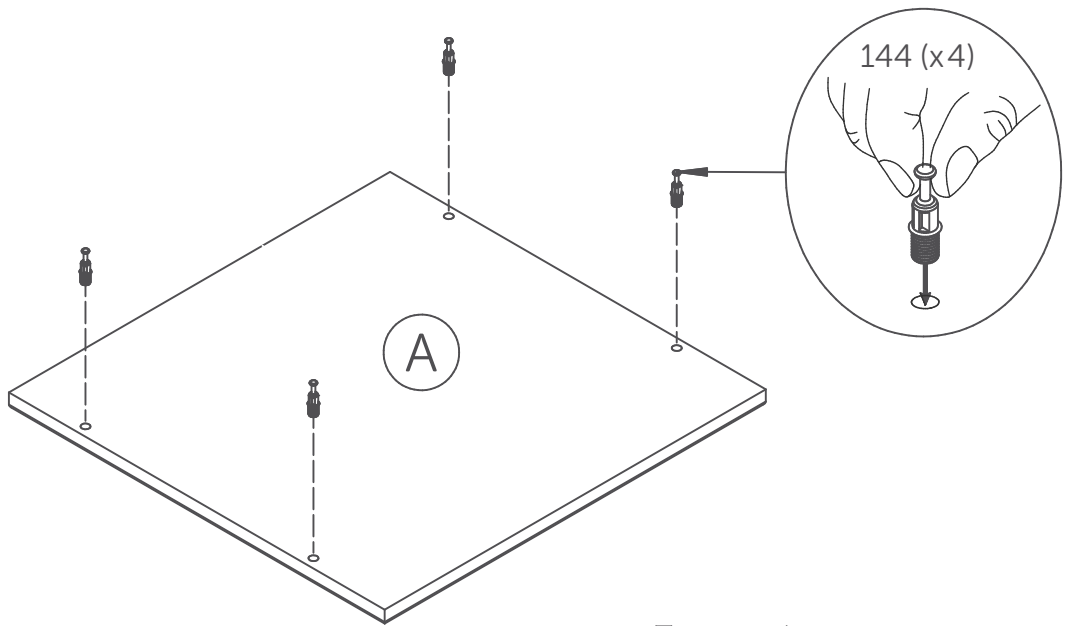




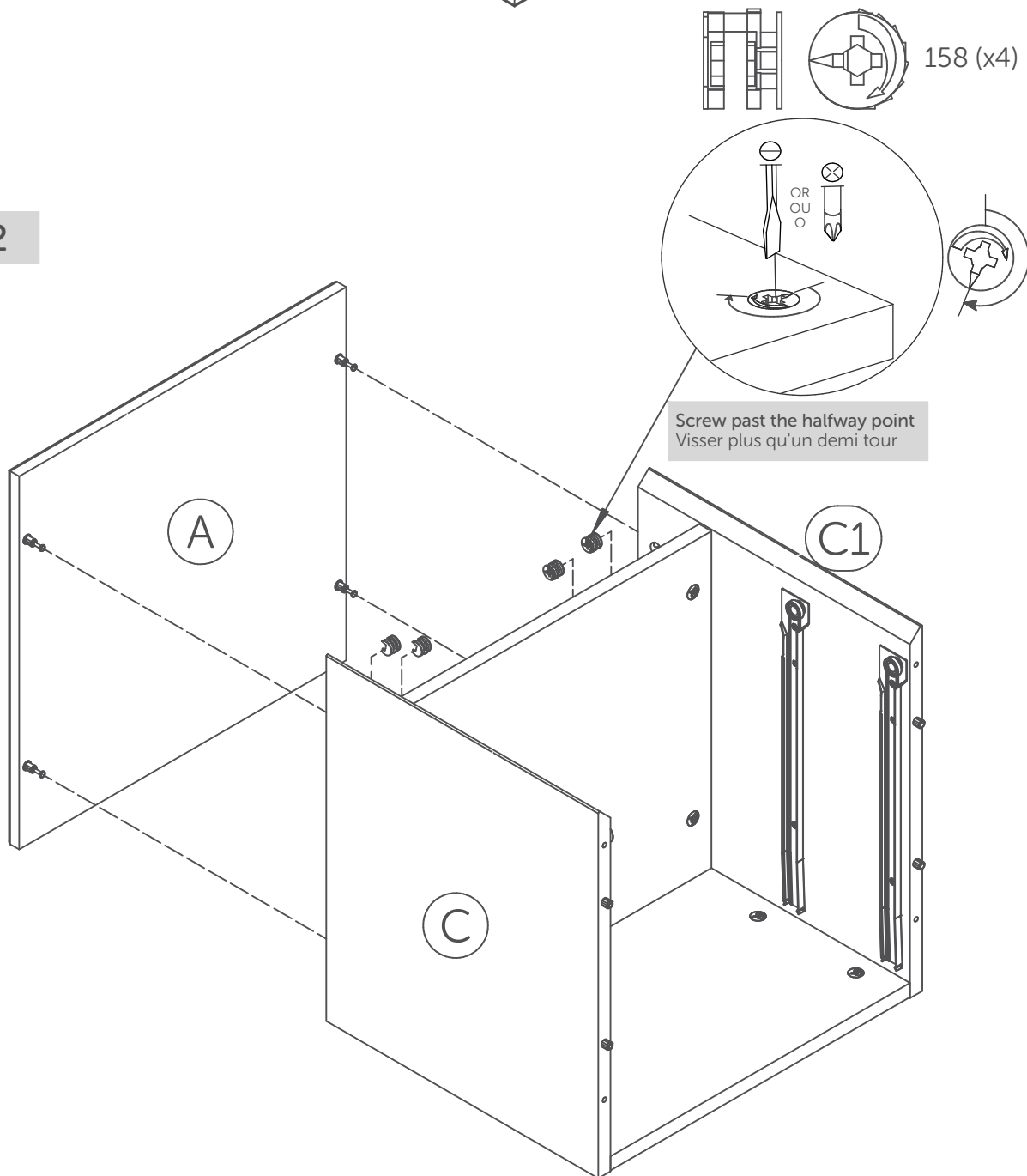
Screw past the halfway point
Visser plus qu'un demi tour

9

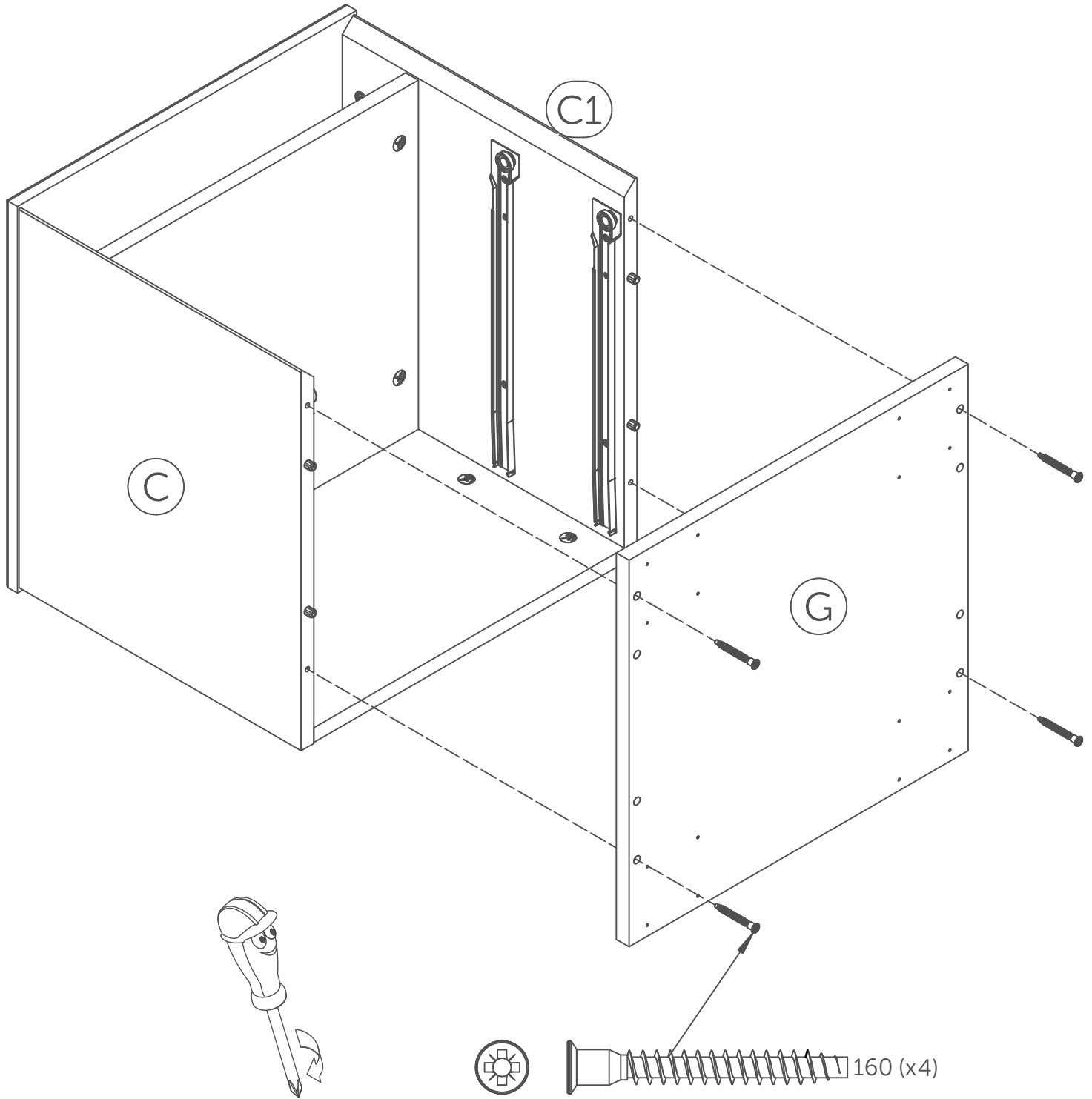
9.1



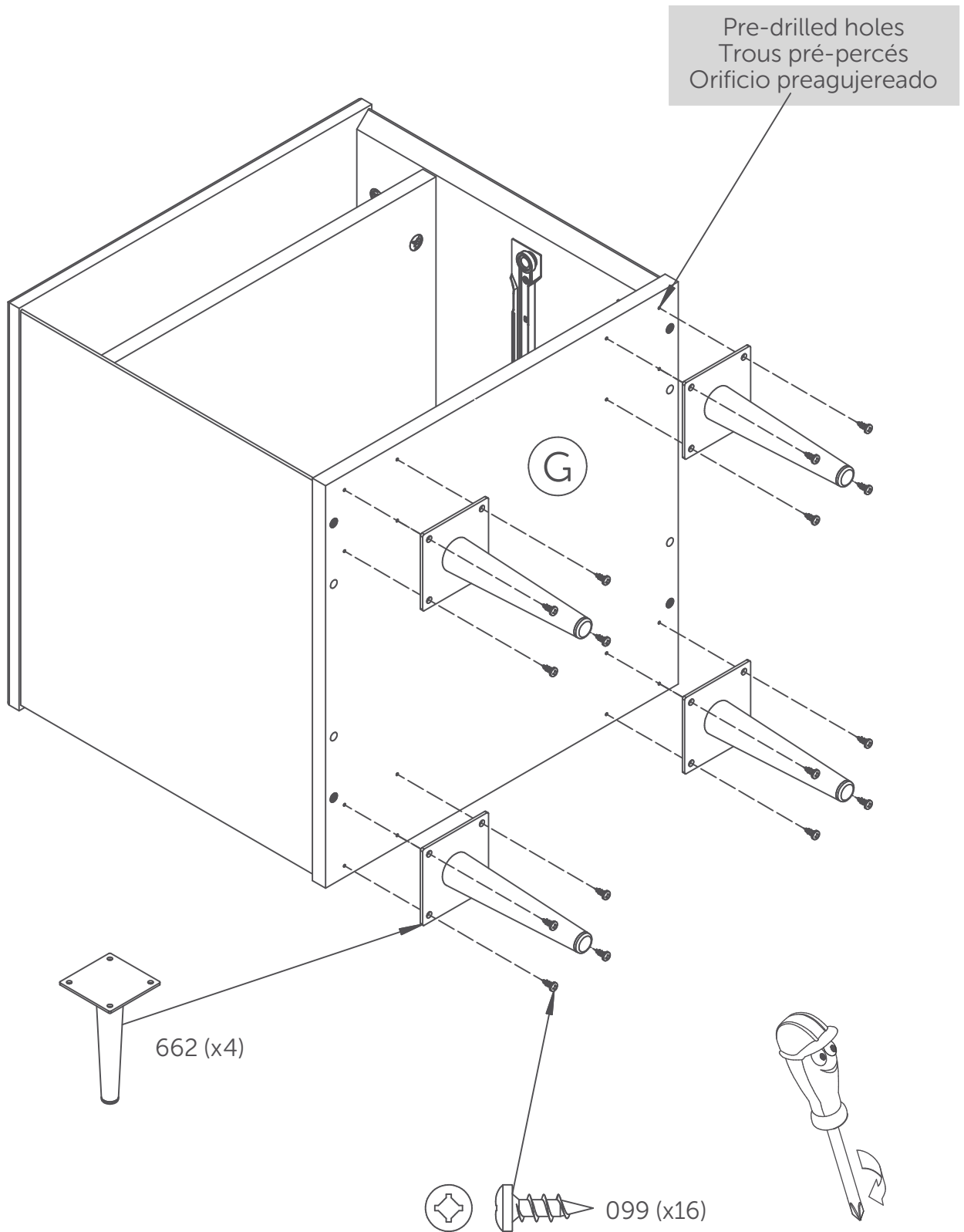
9.2

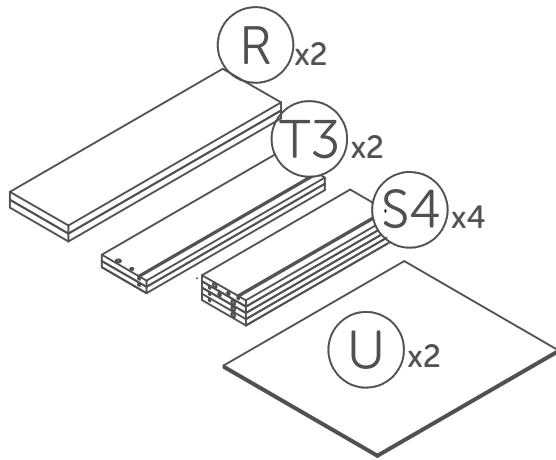


10

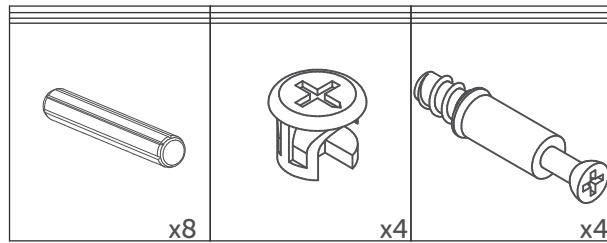


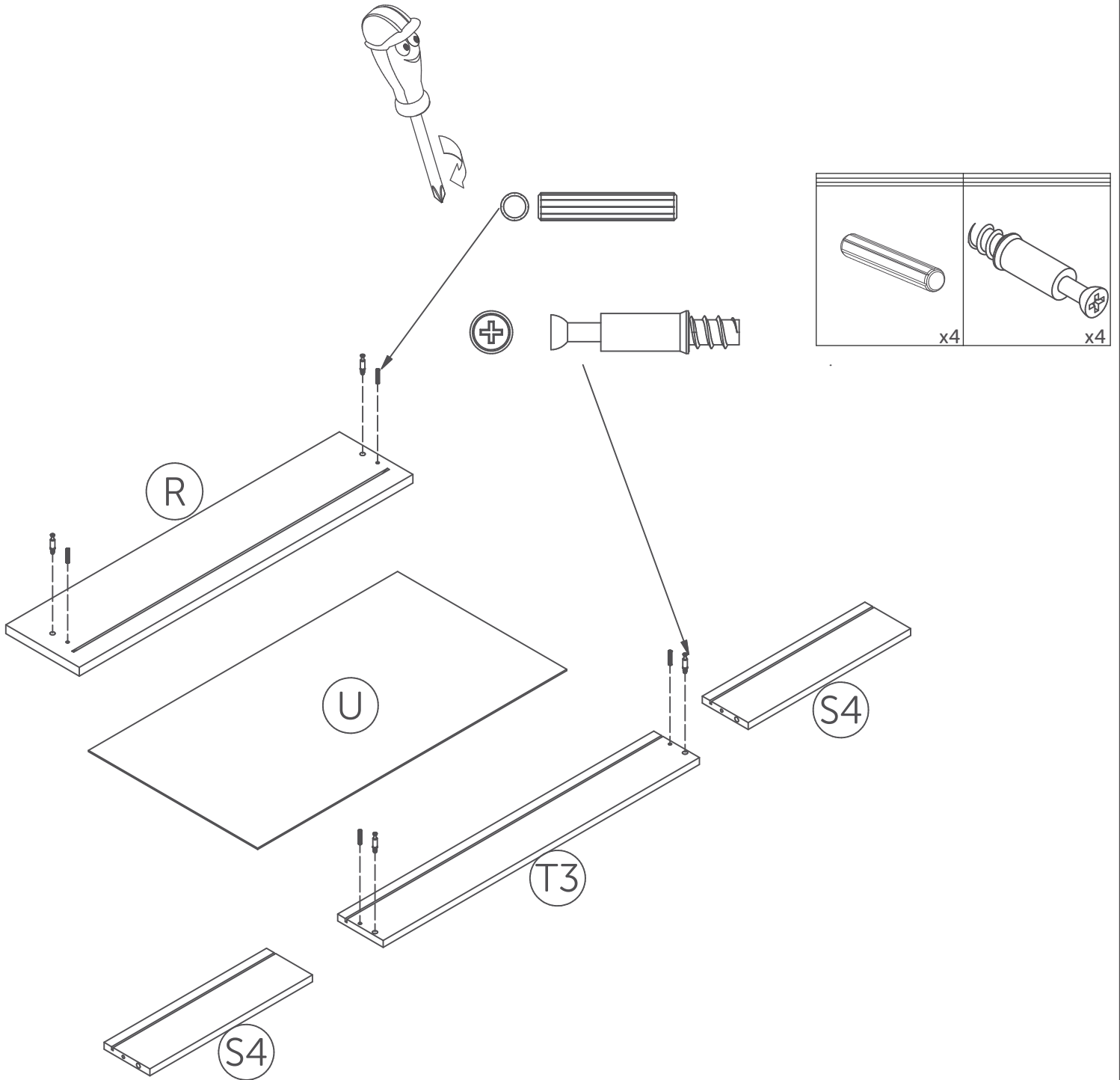
11





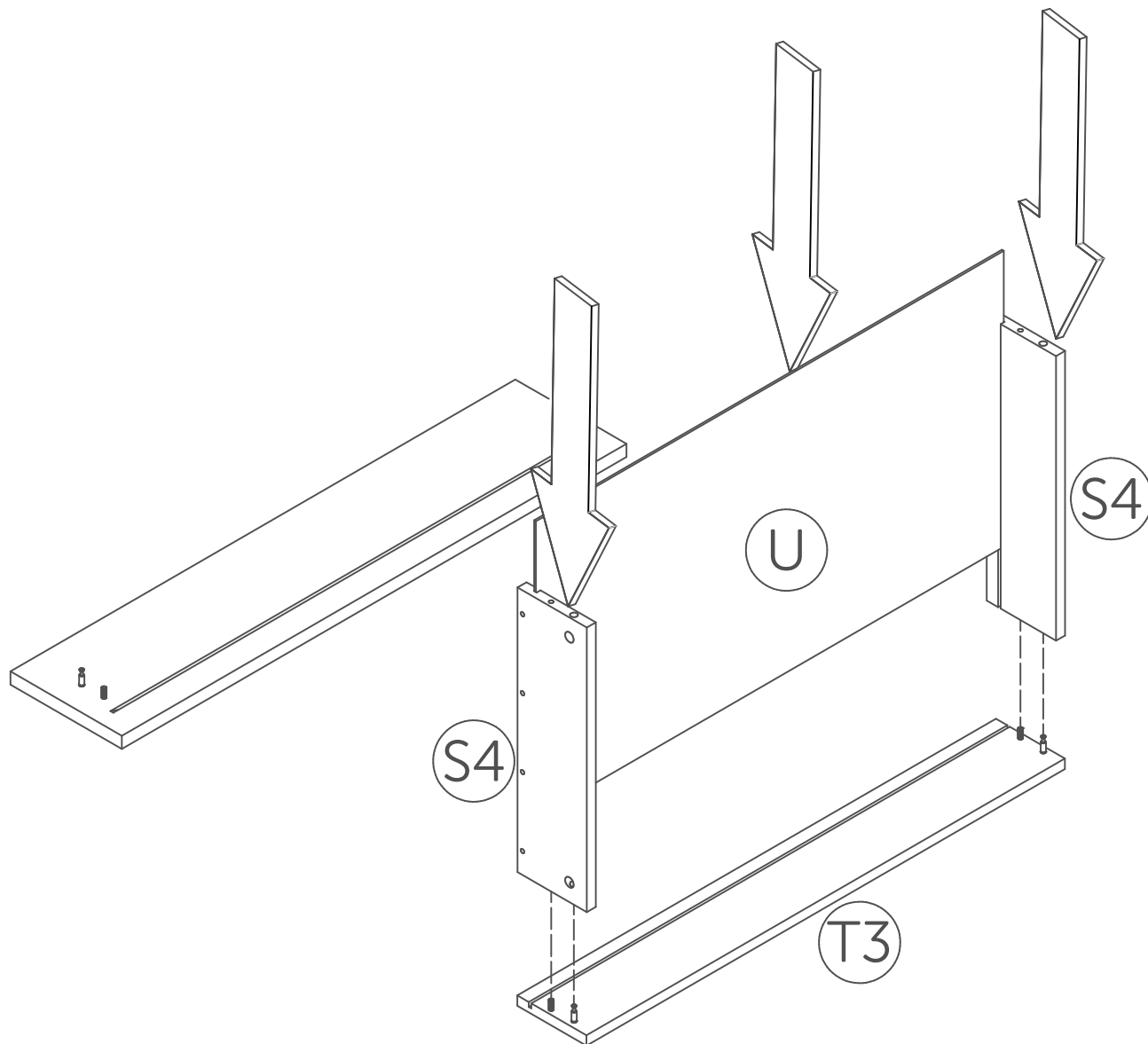
213x2





14

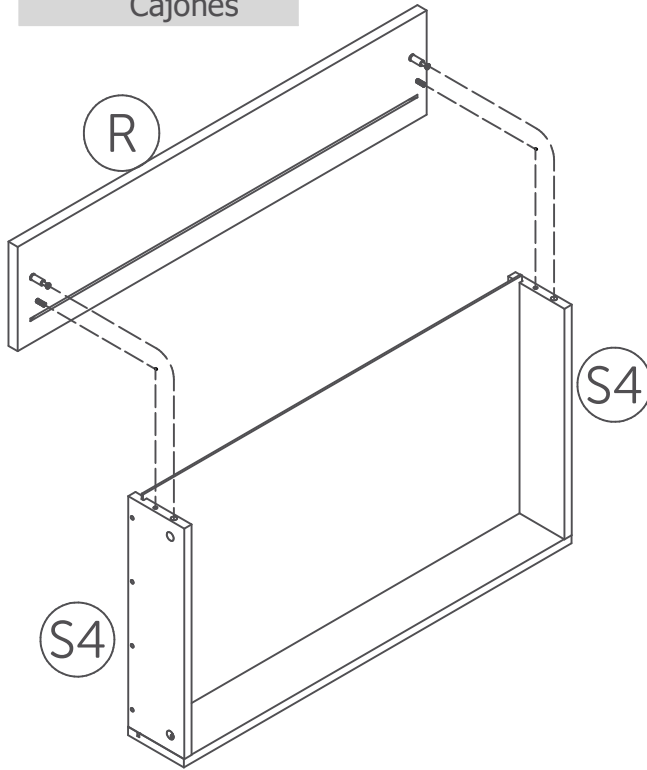
2x Drawers
Tiroirs
Cajones



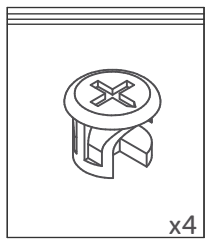
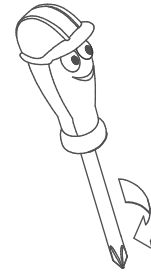
The image may differ depending on model
L'image peut différer selon le modèle
La imagen variar dependiendo del modelo

15

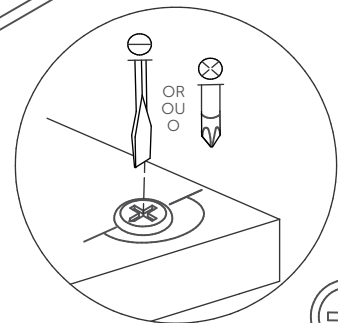
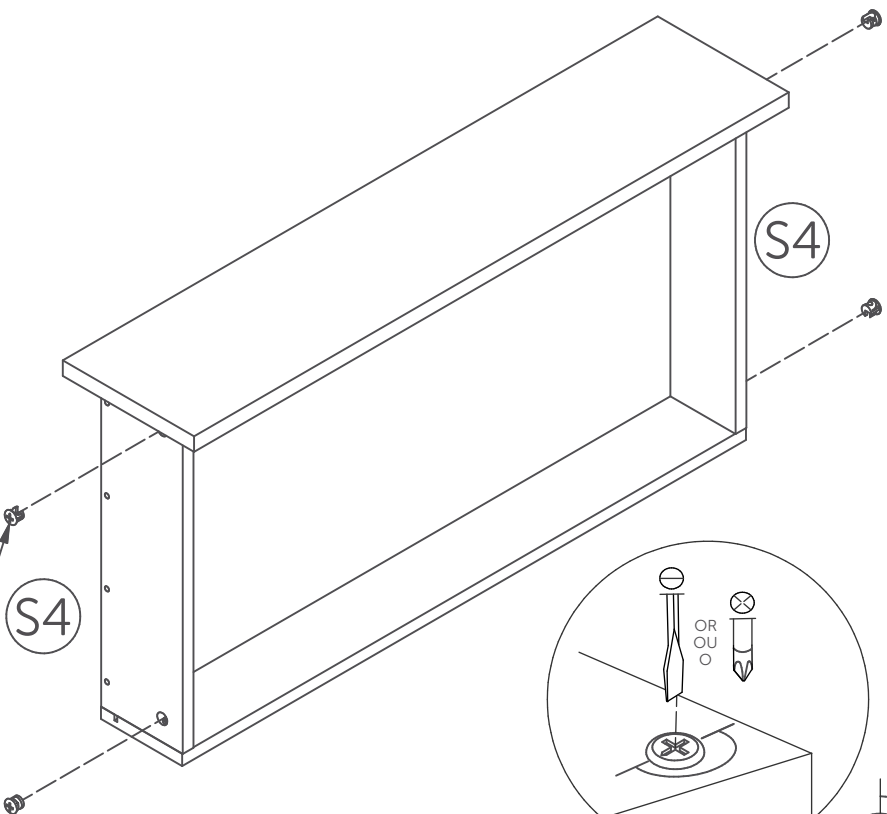
2x Drawers
Tiroirs
Cajones

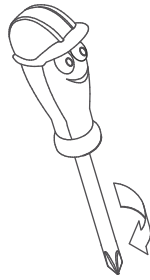


The image may differ depending on model
L'image peut différer selon le modèle
La imagen variar dependiendo del modelo



hardware needed for one drawer
Quincaillerie nécessaire pour un tiroir
Ferratería necesaria por cajón





092 (x4)

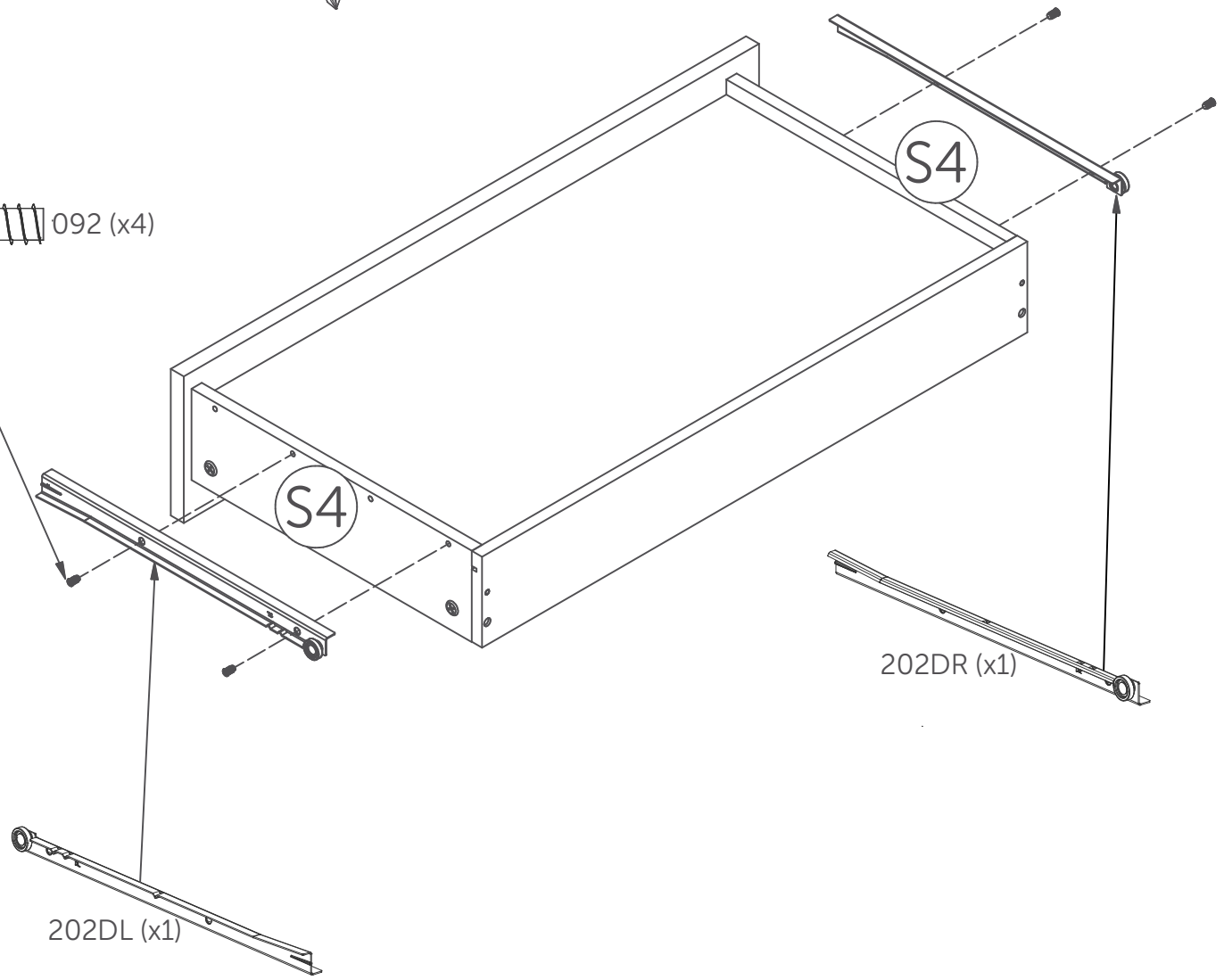
S4

S4

202DR (x1)

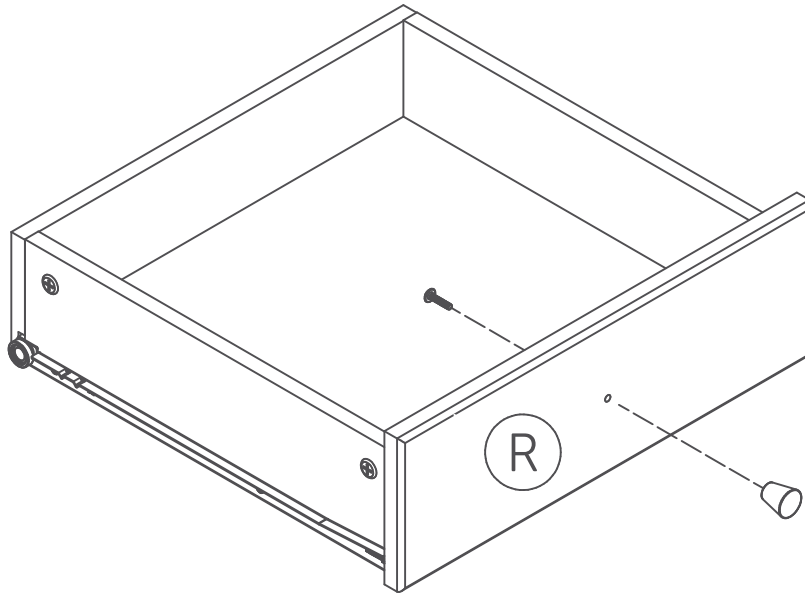
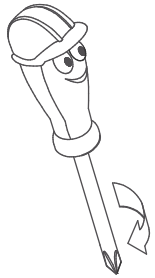
202DL (x1)

The image may differ depending on model
L'image peut différer selon le modèle
La imagen variará dependiendo del modelo

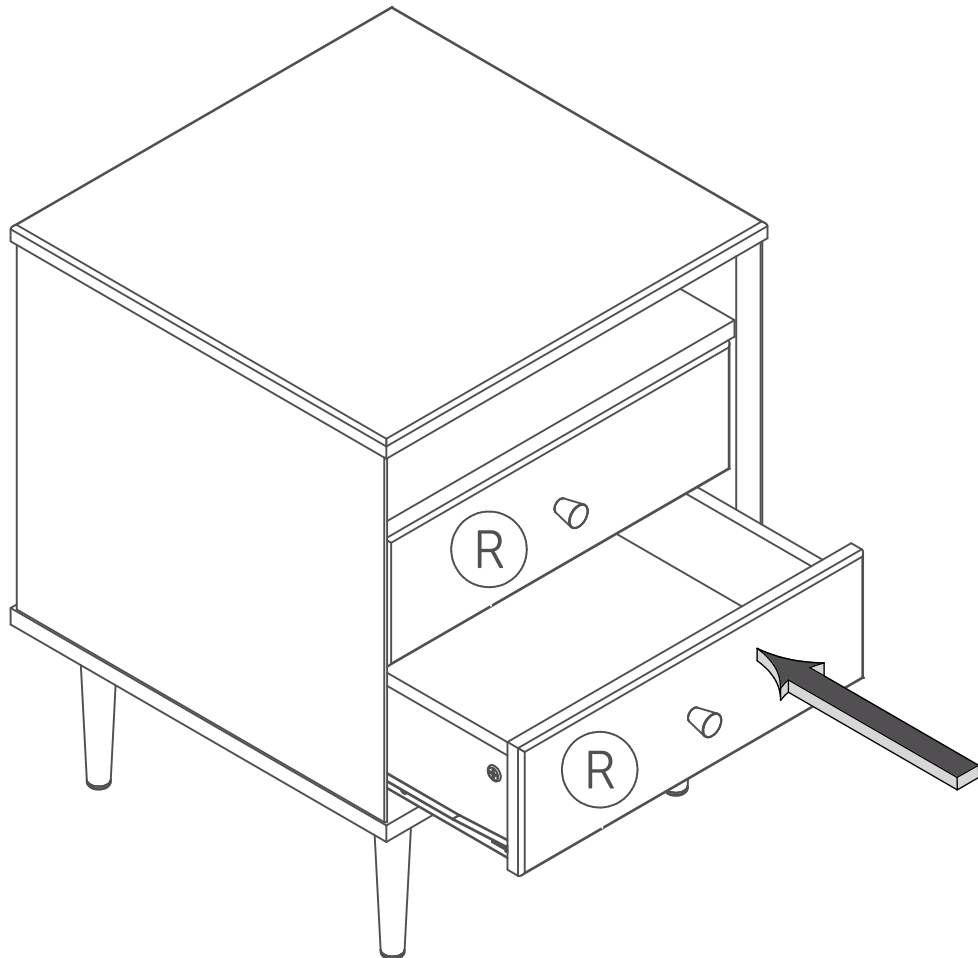


17

17.1

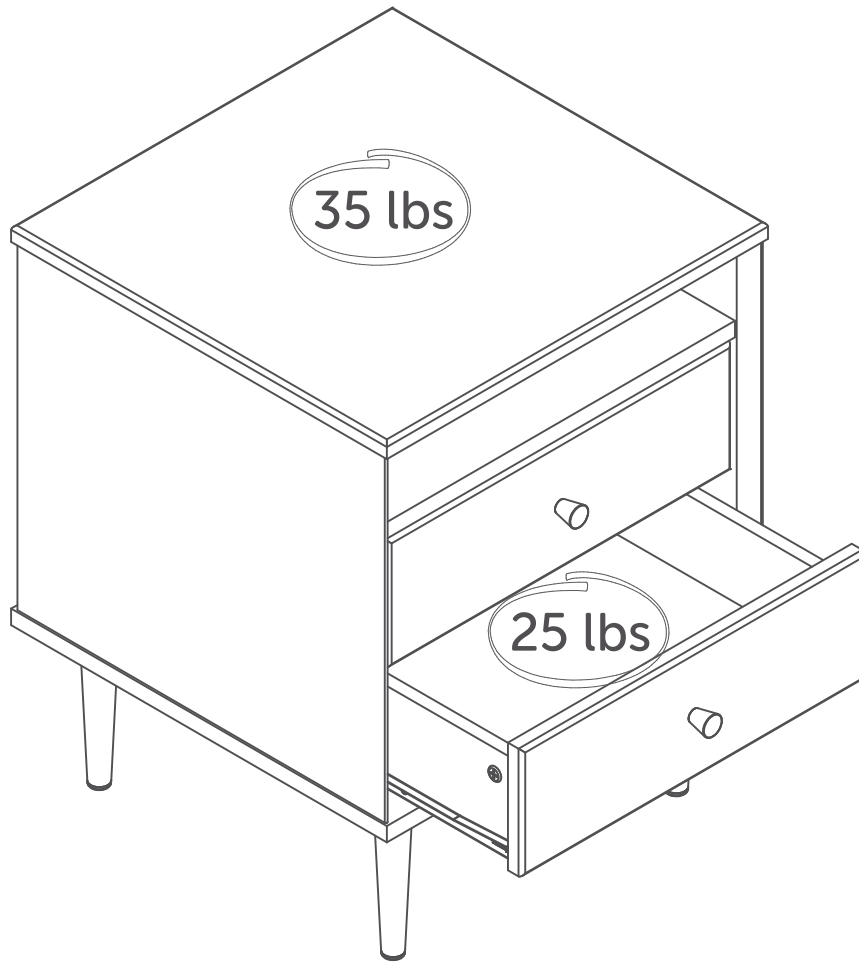


17.2



18

WEIGHT / POIDS / PESO



MAINTENANCE TIPS CONSEILS D'ENTRETIEN / CONSEJOS DE MANTENIMIENTO



Never let liquids or damp cloths sit on this furniture.

Ne jamais laisser de liquide ou linge humide sur le meuble.

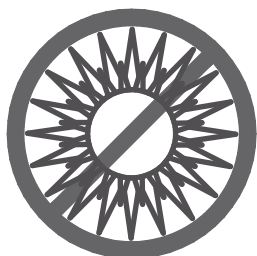
Nunca deje un líquido o un trapo húmedo sobre el mueble.



Never use chemical cleaning products. They can damage the finish. For cleaning, use only a slightly damp cloth and wipe dry.

Ne jamais utiliser de produits nettoyants à base de produits chimiques, cela va endommager le fini. Utiliser seulement un linge légèrement humide.

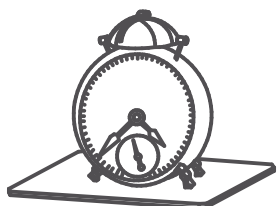
Nunca utilice limpiadores a base de químicos, estos dañaran el acabado. Use sólo un paño húmedo.



To avoid dulling of the finish, do not place furniture in direct sunlight.

Ne pas placer le meuble directement au soleil pour prévenir le ternissement.

No exponga el mueble directamente al sol para prevenir empañamiento.



Do not put plastic or rubber rings under appliances. Use cloth or felt protectors.

Évitez de déposer des appareils avec des rondelles de plastique ou de caoutchouc. Utilisez un protecteur en tissu ou en feutre.

Evite apoyar aparatos con redondeles de plástico o de goma. Utilizar un protector de tela o de fieltro.



To clean, use a soft or slightly damp cloth, then wipe with a clean, dry cloth.

Pour nettoyer, utilisez un linge doux ou légèrement humecté. Essuyez par la suite avec un linge propre et sec.

Para limpiar, utilice un trapo suave o ligeramente humedecido. Seque luego con un trapo limpio y seco.