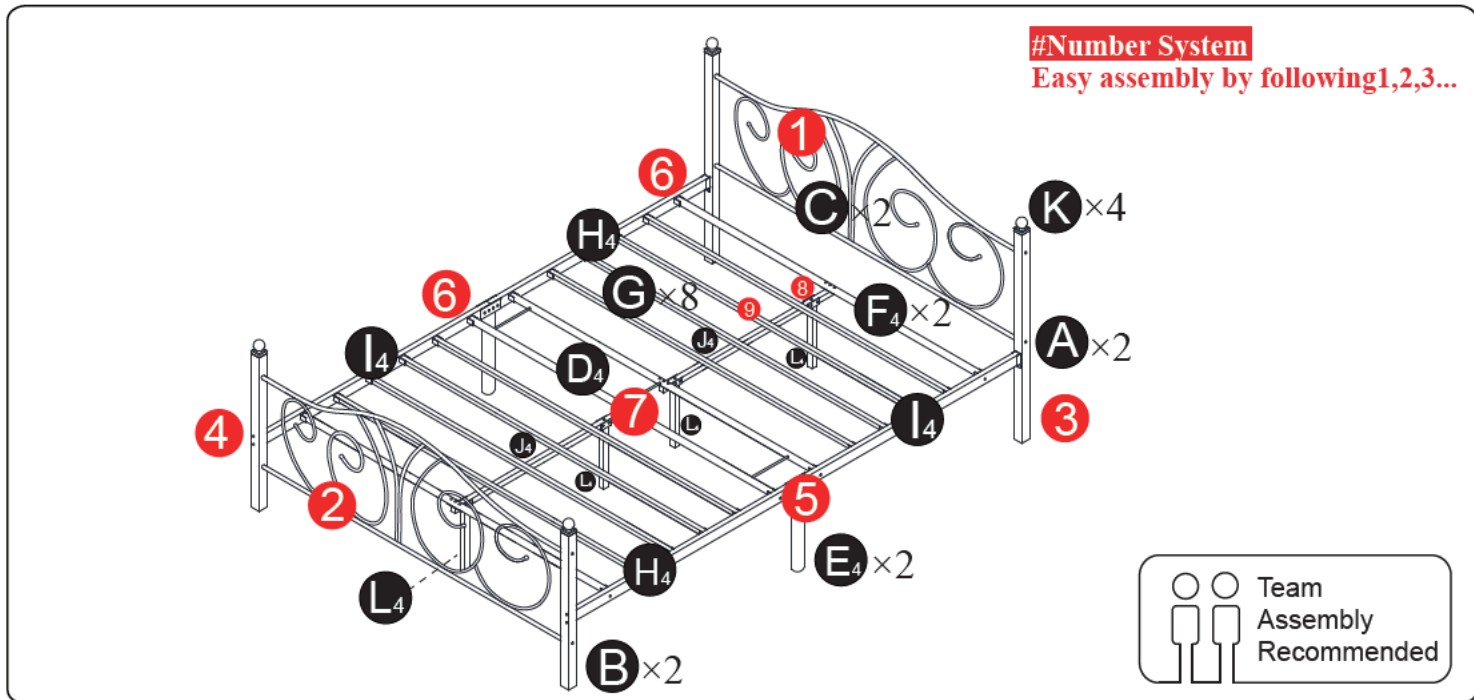


# Bed Frame Installation Manual



**Components**

- ..... **A** x2
- ..... **B** x2
- ..... **C** x2
- ..... **D** x1
- ..... **E** x2
- ..... **F** x2
- ..... **G** x8
- ..... **H** x2
- ..... **I** x2
- ..... **J** x2
- ..... **K** x4

**Screws & Tools**

|   |  |         |     |
|---|--|---------|-----|
| ① |  | M8x50mm | x8  |
| ② |  | M8x35mm | x8  |
| ③ |  | M6x60mm | x8  |
| ④ |  | M6x40mm | x20 |
| ⑤ |  | M6x30mm | x12 |
| ⑥ |  | M6x15mm | x4  |
| ⑦ |  |         | x16 |
| ⑧ |  | M8      | x12 |
| ⑨ |  | M6      | x16 |
| ⑩ |  | M5      | x1  |
| ⑪ |  | M13/M10 | x1  |

..... **L** x4

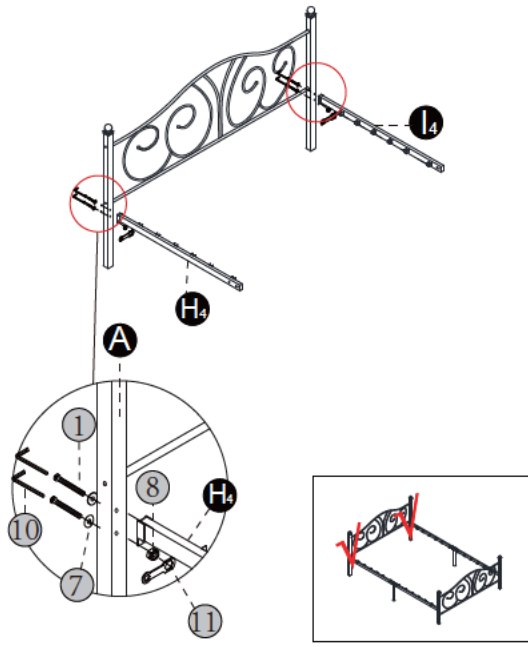
## 1 Headboard assembly

**Note:**  
In this step, do not tighten screw ③

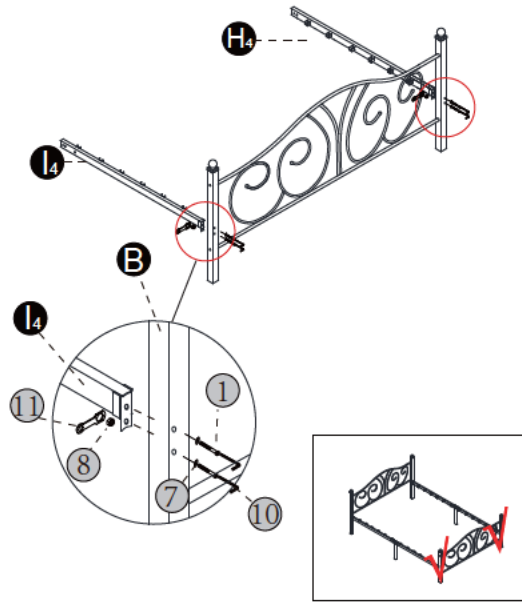
## 2 Footboard assembly

**Note:**  
In this step, do not tighten screw ③

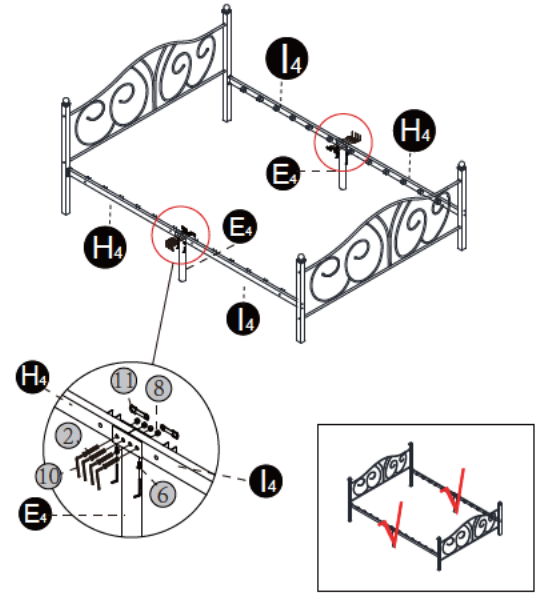
**3** Connect **H<sub>4</sub>** & **L<sub>4</sub>** to headboard



**4** Connect **H<sub>4</sub>** & **L<sub>4</sub>** to footboard

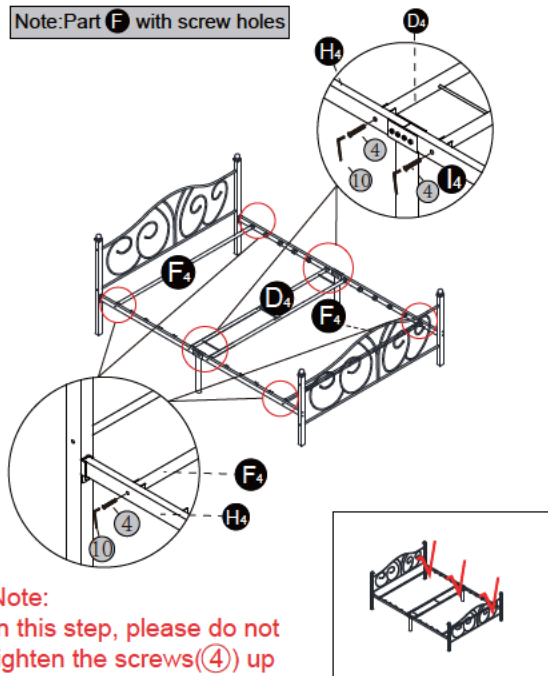


**5** Connect **E<sub>4</sub>** to **H<sub>4</sub>** & **L<sub>4</sub>**

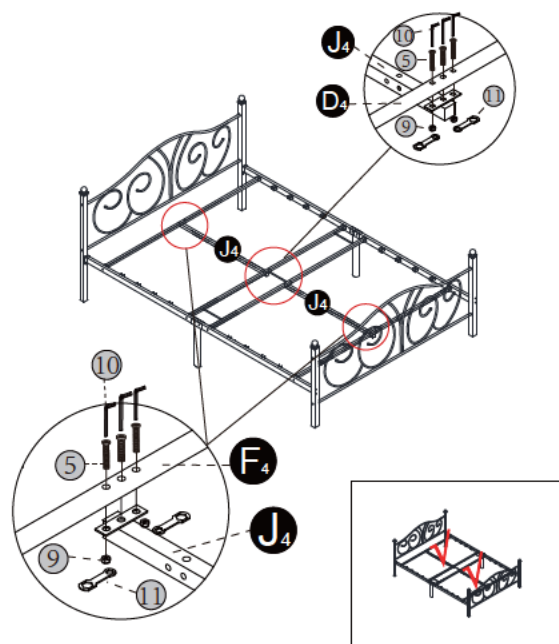


**6** Connect **D<sub>4</sub>** & **F<sub>4</sub>** to **H<sub>4</sub>** & **L<sub>4</sub>**

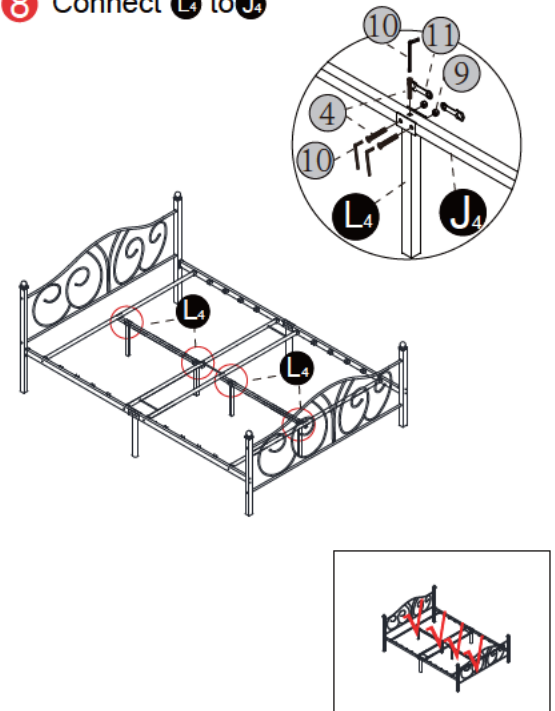
Note: Part **F** with screw holes



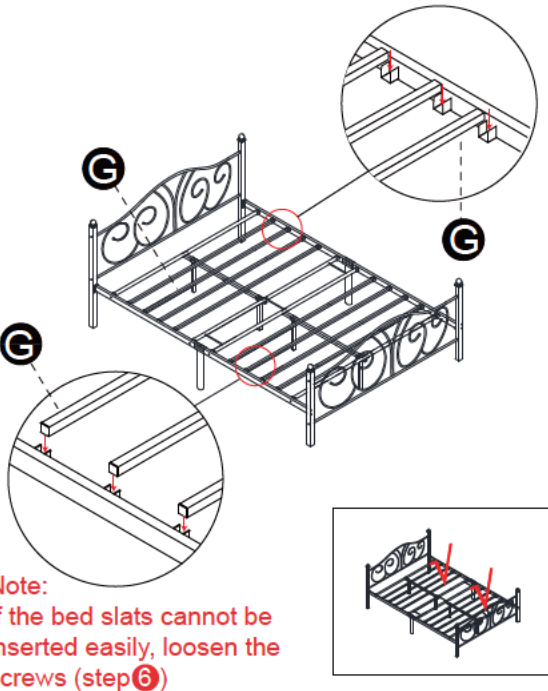
**7** Connect **J<sub>4</sub>** to **D<sub>4</sub>** & **F<sub>4</sub>**



**8** Connect **L<sub>4</sub>** to **J<sub>4</sub>**



**9** Assemble bed slats



**10** Check and tighten all screws

