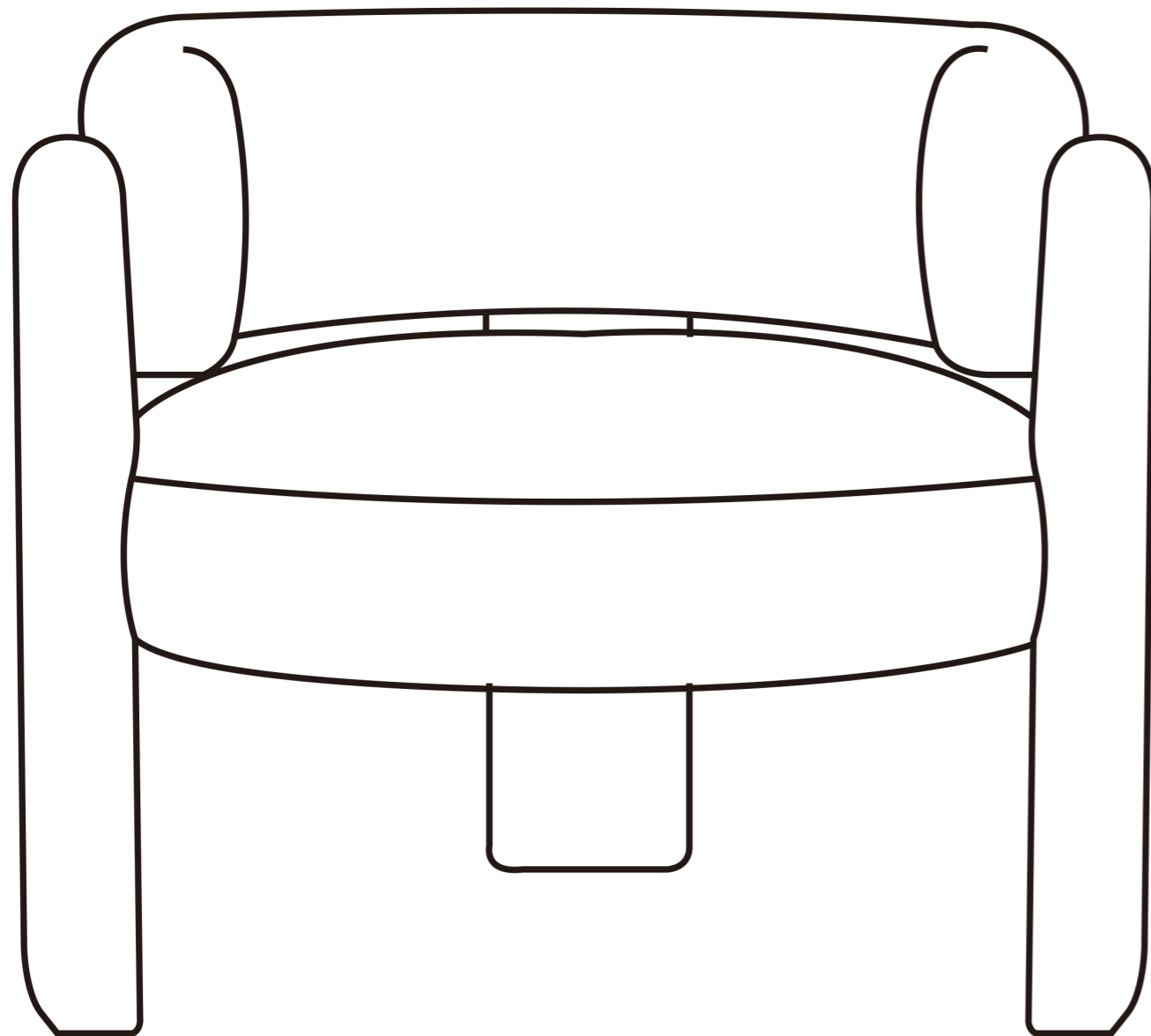


INSTRUCTION MANUAL



ASSEMBLY GUIDE

- Before enjoy the comfort chair, you have to put it together. This Assembly Guide will take you through the basic assembly process. To make sure your assembly goes smoothly, please follow the assembly instructions, **and especially the important safety information.**
- Before you begin, please check if there are any missing parts from the package. Should there be any issues, please don't hesitate to drop us an email and we'll help you out ASAP.
- To prevent misalignments, keep the screws loose and do not tighten them until they are all in their correct positions. Avoid overtightening or forcing the screws, as this could cause them to break, strip, or damage the threads of the holes.

*Using an electric drill can damage the chair. Please re-tighten bolts manually



Package List



(A)*1 Backrest



(B)*1 Seat Cushion



(C)*3 Metal parts



(D)*3 Metal parts

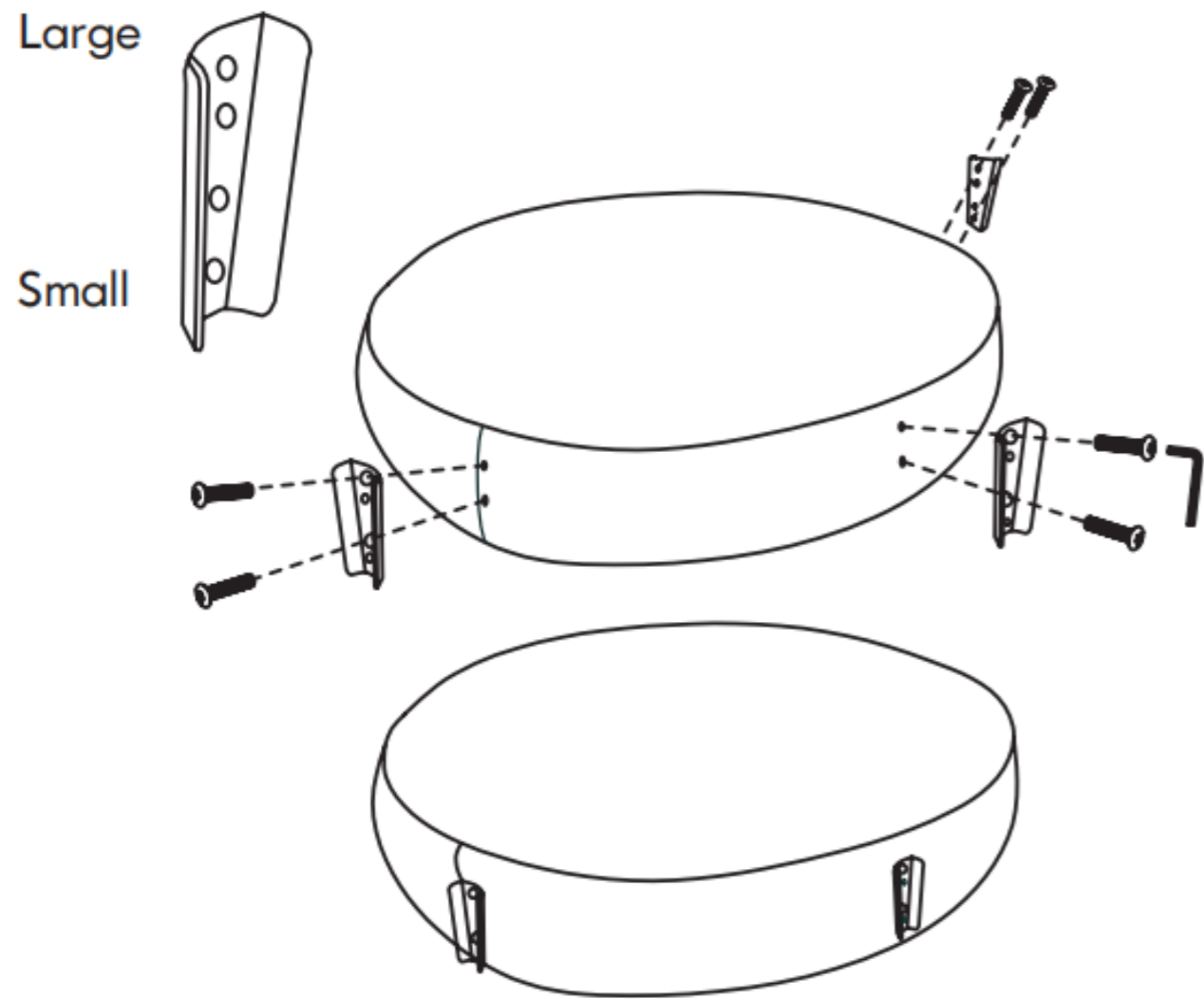


(E)*6 Bolts
M6x25mm

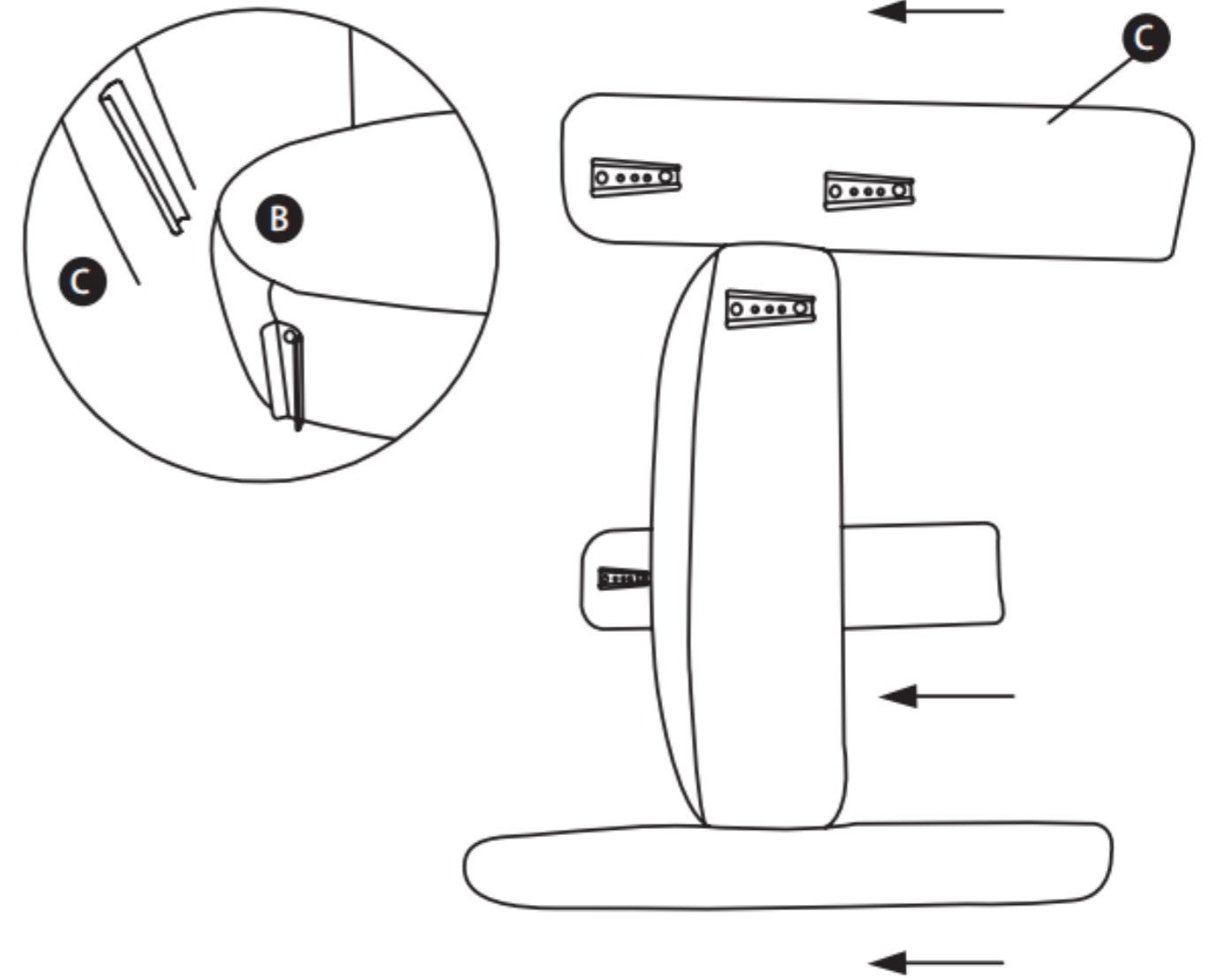


(F)*1 Wrench

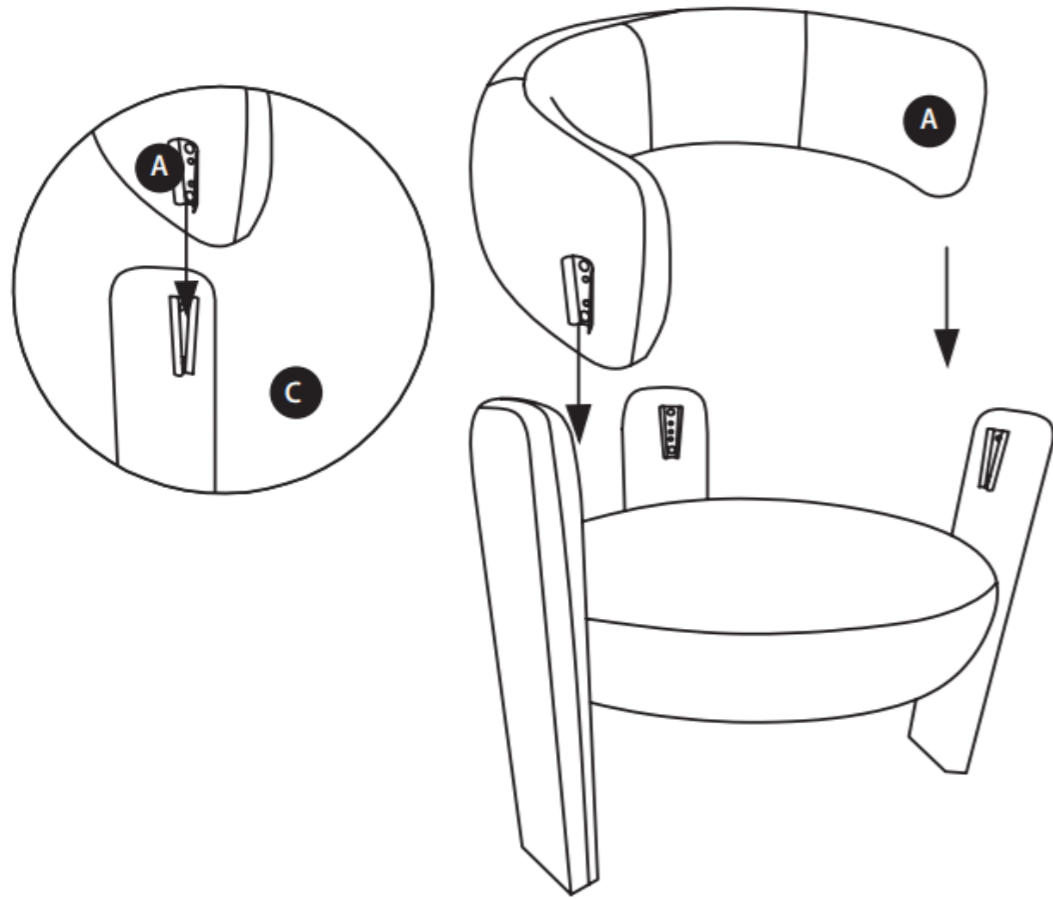
Assembly Instruction



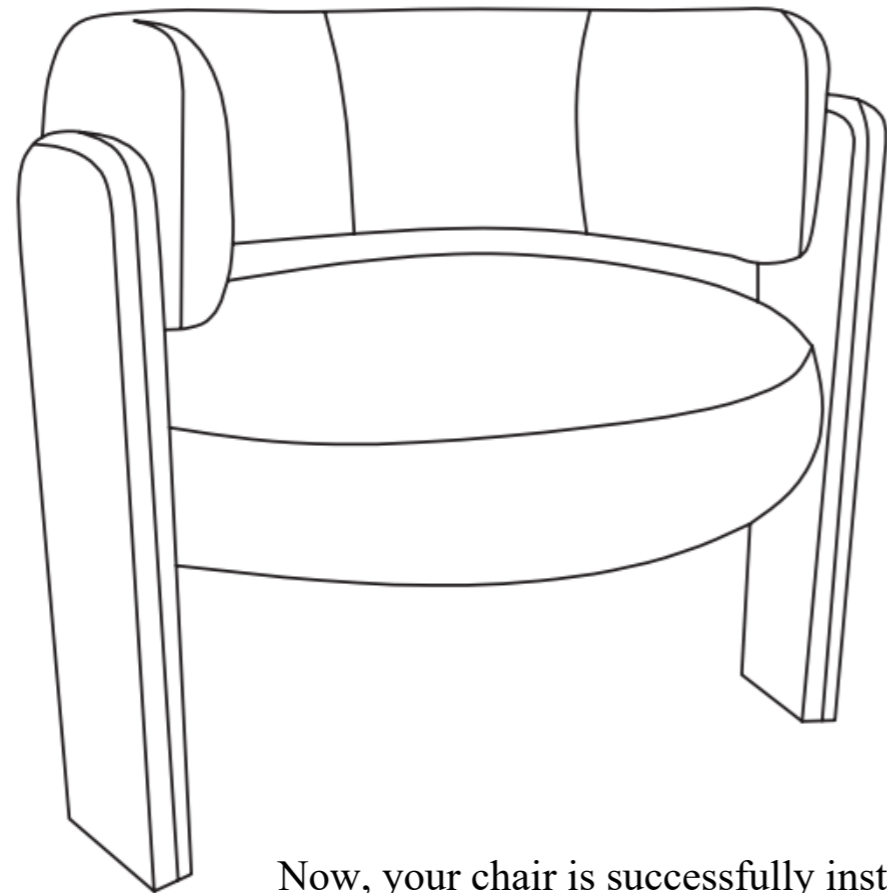
1



2



3



4

Now, your chair is successfully installed.

SAFETY AND MAINTENANCE

- Do not stand on the chair, Do not use the chair as stepladder.
- Use this product for seating one person at a time.
- Do not use the chair unless all bolts and screws are firmly secured.
- Avoid contact with sharp objects to prevent puncturing the fabric.
- Every 6 months, check all bolts and screws to ensure they are tight.
- To clean, spot clean only using a damp towel and mild cleaner, first test on a small, obscure area of fabric.

SAFETY INFORMATION

