

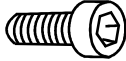


ASSEMBLY INSTRUCTIONS

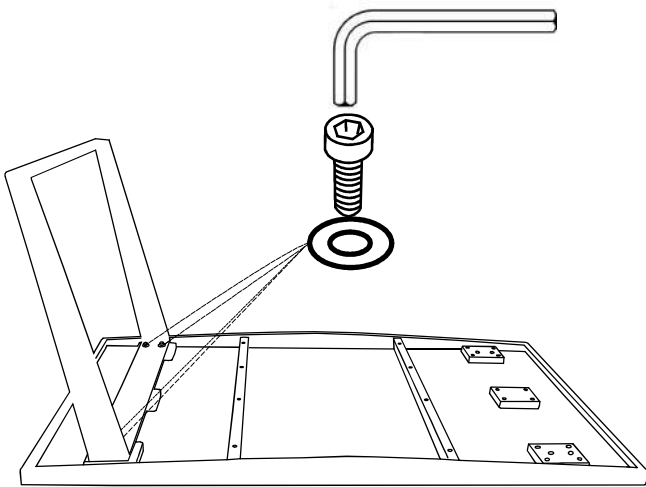
Lakewood Dining Table

STEPS:-

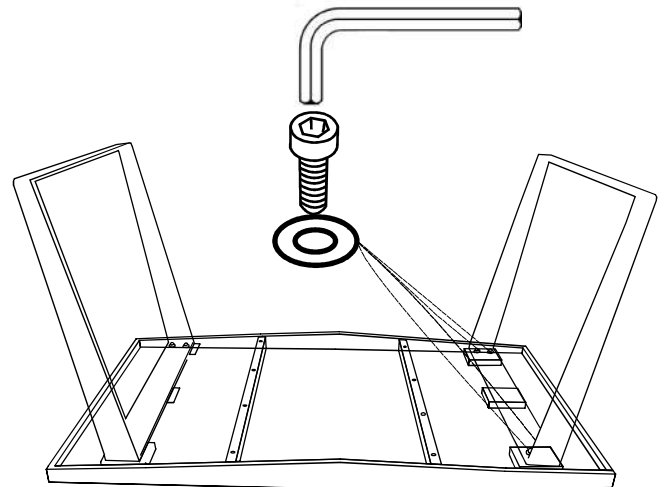
1. Unpack the both Iron Legs and Wooden Top.
2. Screw Iron Legs at Back & Front with the help of LN Key (As per picture)

HARDWARE

1.  = x8
2.  = x8
3.  = x1



Step 1



Step 2

ASSEMBLED PRODUCT

