

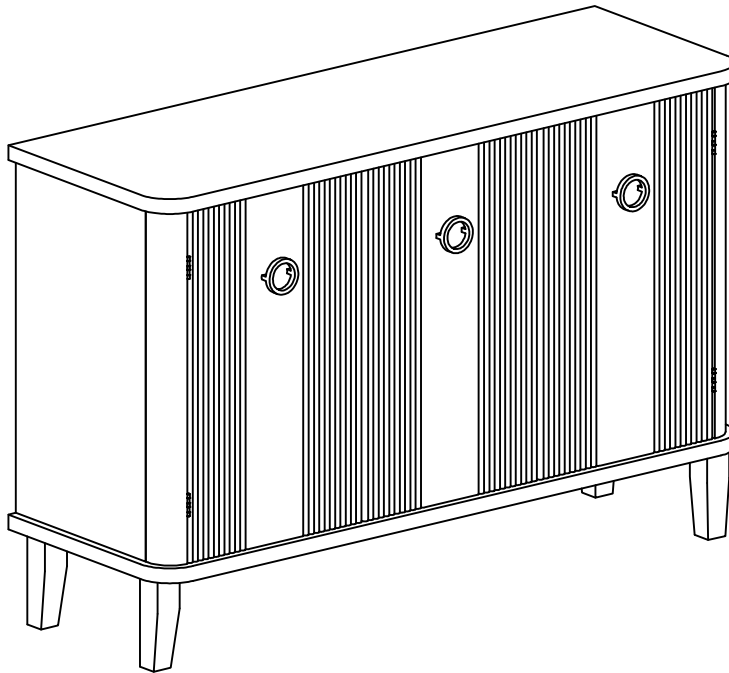
Assembly Instructions


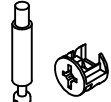
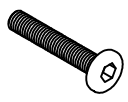

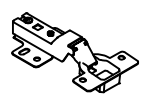







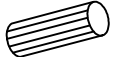

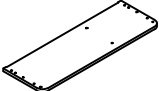
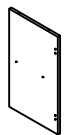
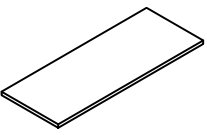
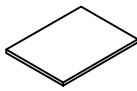
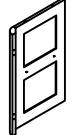




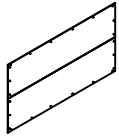



ITEM NO:N711P170564K-B-V
CABINET

Thank you for purchasing this quality product. Besure to check all packing material scarefully for small parts, which may have come loose inside the carton during shipment. I dentify and countall items and compare with the PARTSLIST and/or HARDWARELIST shown below.

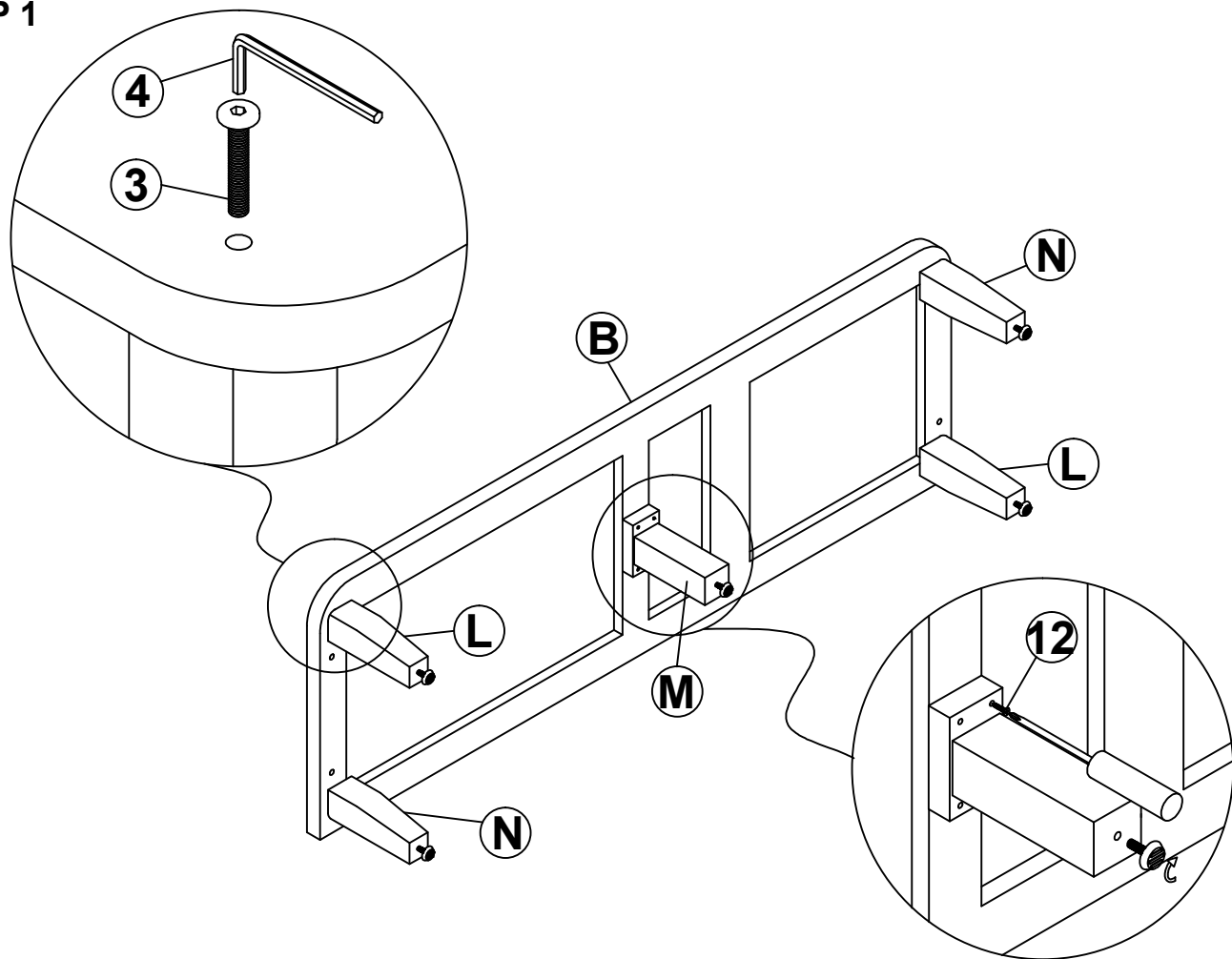
Caution: Please read their structions thoroughly before assembly.

- 1.We recommend that you assemble this product with the assistance of another person; this will make the assembly easier,and will helpe liminate damage to the product or injury to persons during assembly.
- 2.Please do not over tighten screws o rbolts until the assembly is completed.
- 3.Please putall parts on a non-abrasive floor before assembly,and follow the assembly steps to assemble your newly purchased product correctly and effcently.

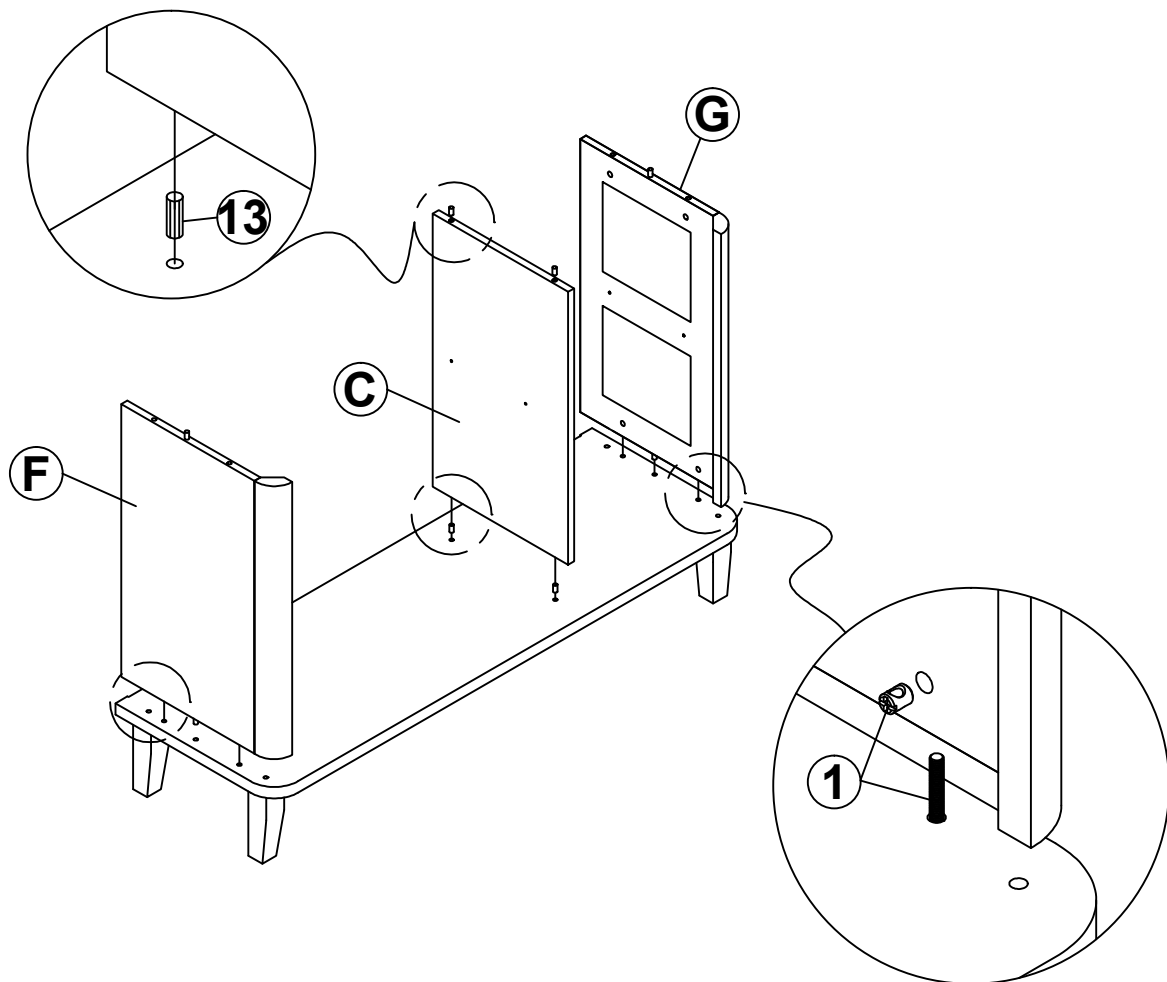


 ① : 4 SETS	 ② : 4 SETS	 ③ 1/4"x35mm: 4 PCS	 ④ : 1 PC	 ⑤ : 2 PCS	 ⑥ 3x15mm:20 PCS	 ⑦ : 8 PCS
 ⑧ 3x12mm:8 PCS	 ⑨ :3 PCS	 ⑩ 5/32"x20mm: 6 PCS	 ⑪ 3x15mm: 26 PCS	 ⑫ 4x30mm: 4 PCS	 ⑬ 8x30mm: 4 PCS	
 ①A : 1 PC (Top)	 ①B : 1 PC (Bottom)	 ①C : 1 PC	 ①D : 1 PC	 ①E : 1 PC	 ①F : 1 PC (Left)	 ①G : 1 PC (Right)
 ①H : 1 PC (Left)	 ①I : 1 PC (Midle)	 ①J : 1 PC (Right)	 ①K : 1 PC	 ①L : 2 PCS (Left)	 ①M : 1 PC (Midle)	 ①N : 2 PCS (Right)

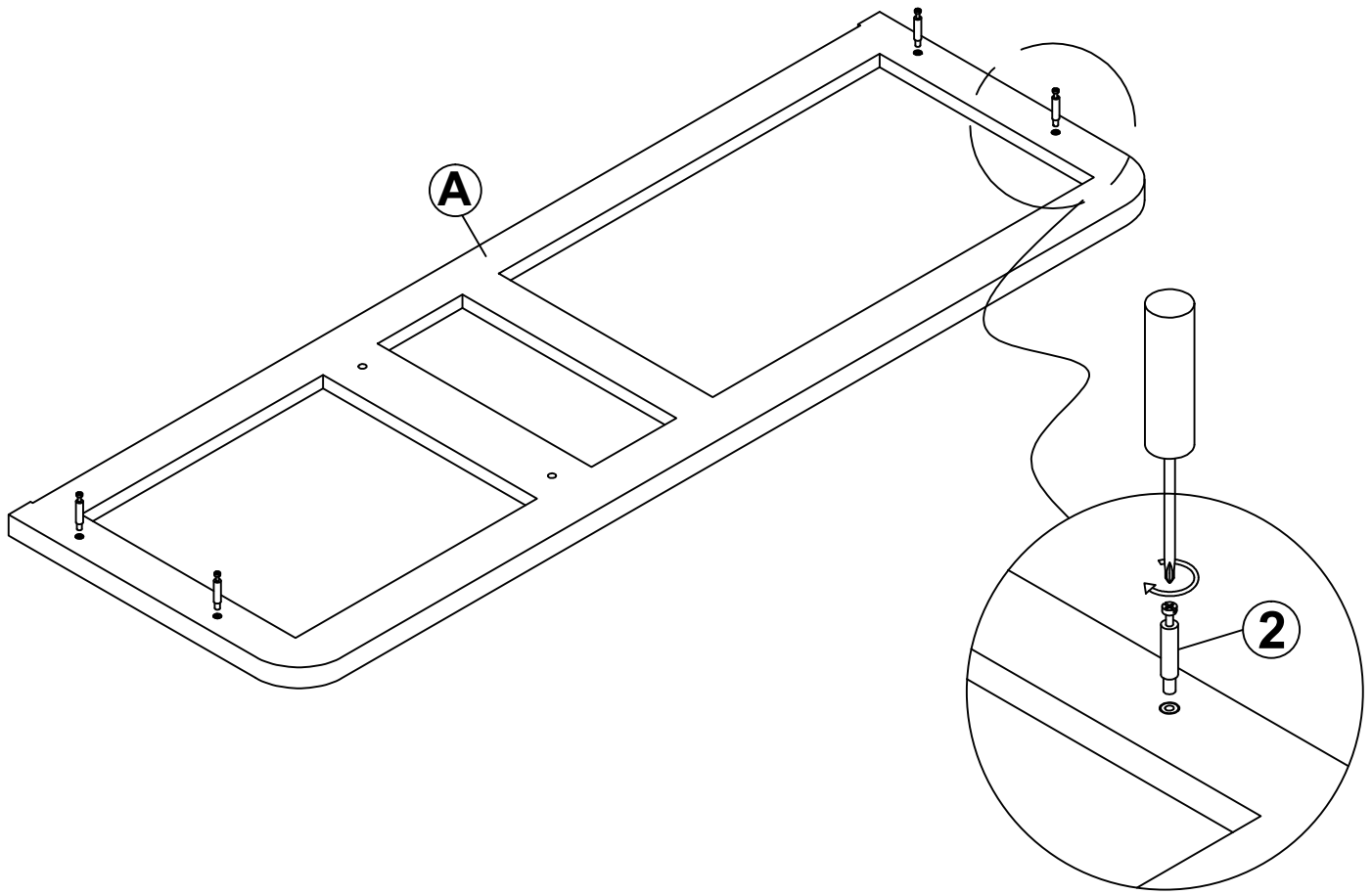
STEP 1



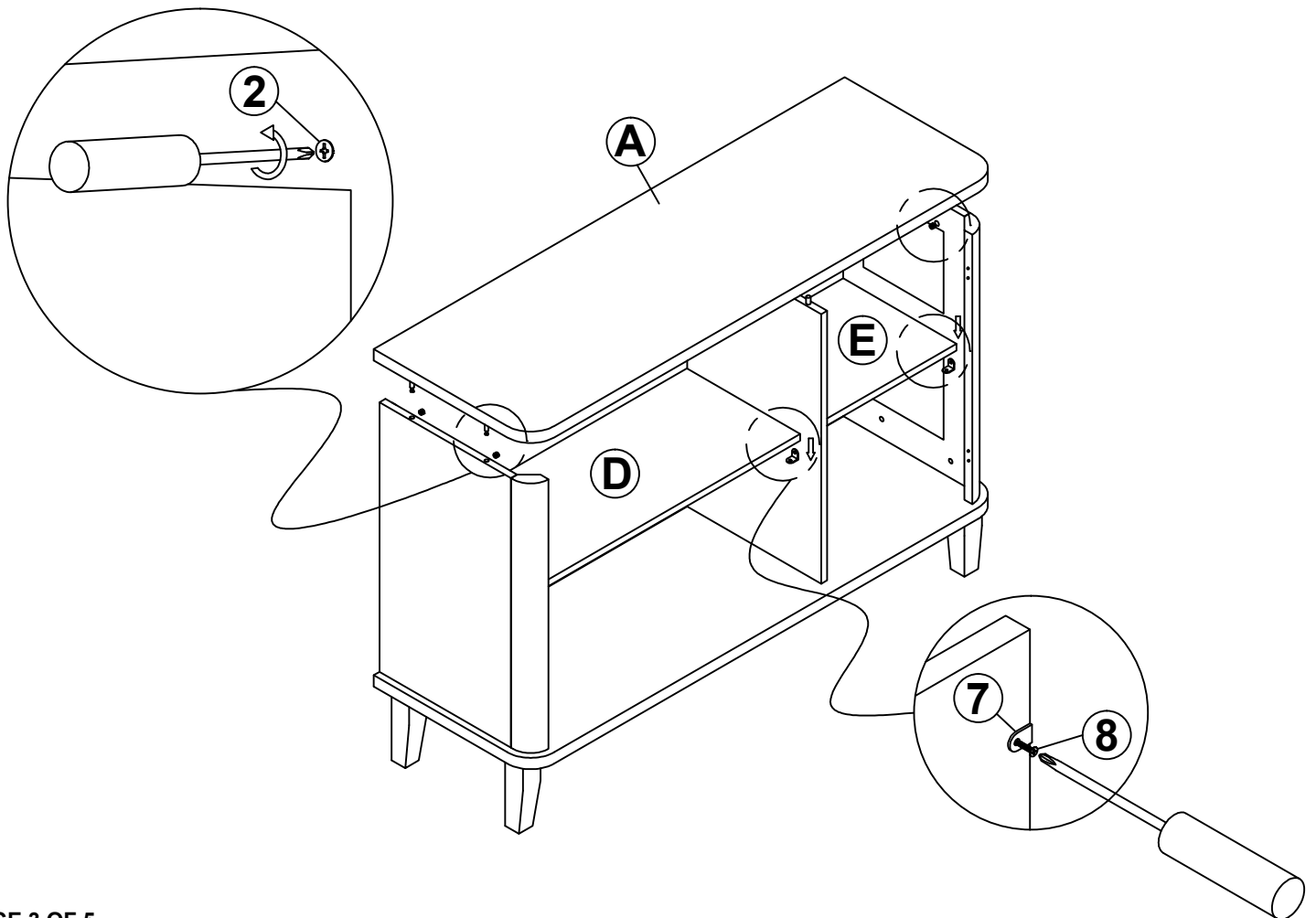
STEP 2



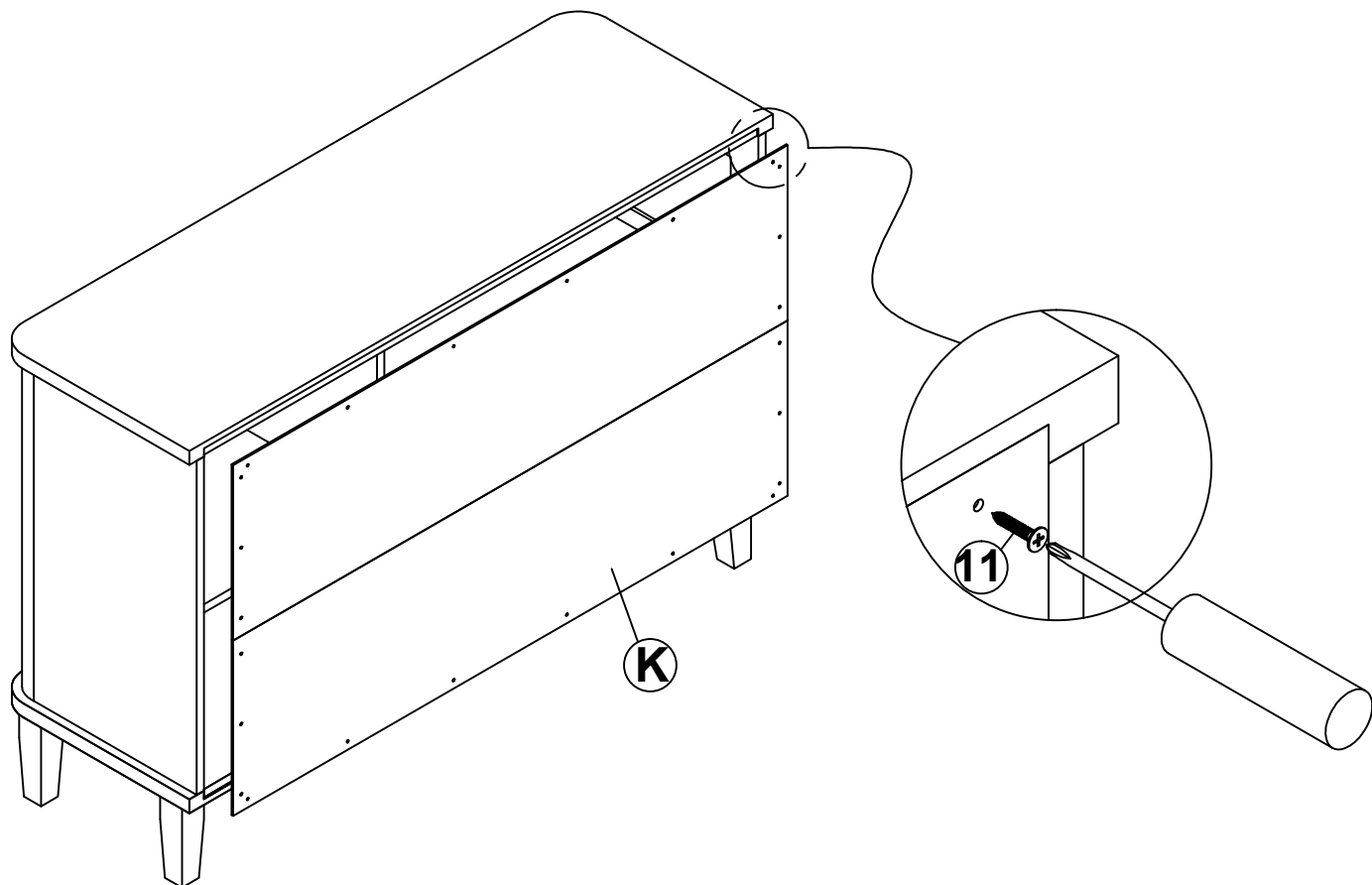
STEP 3



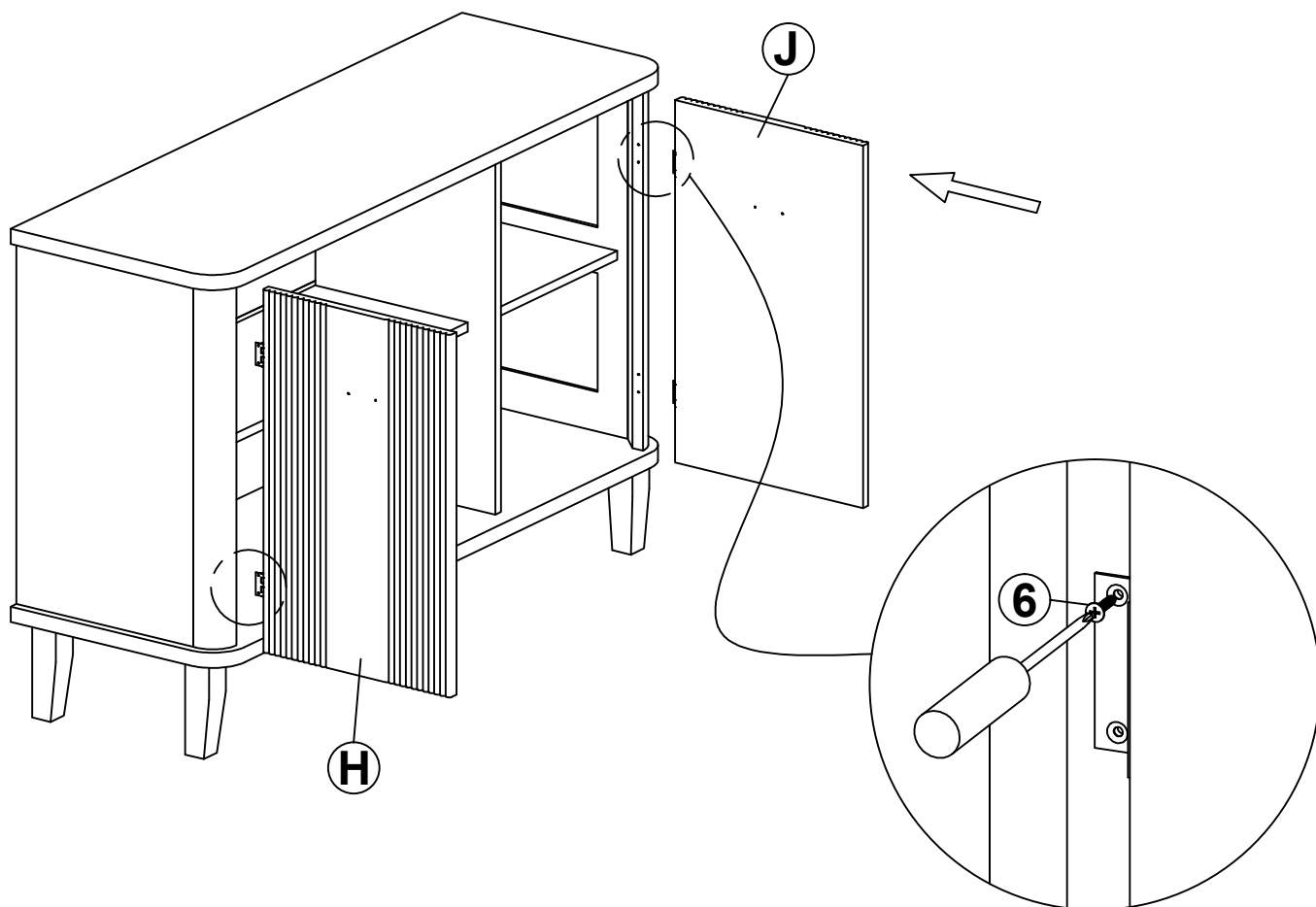
STEP 4



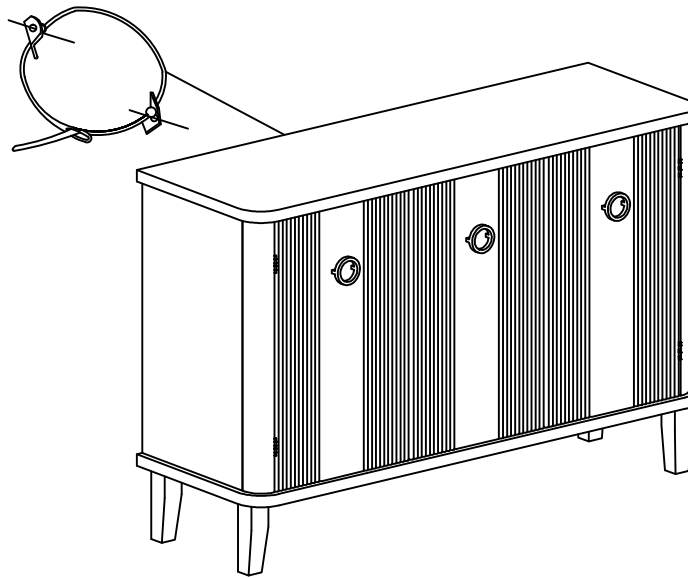
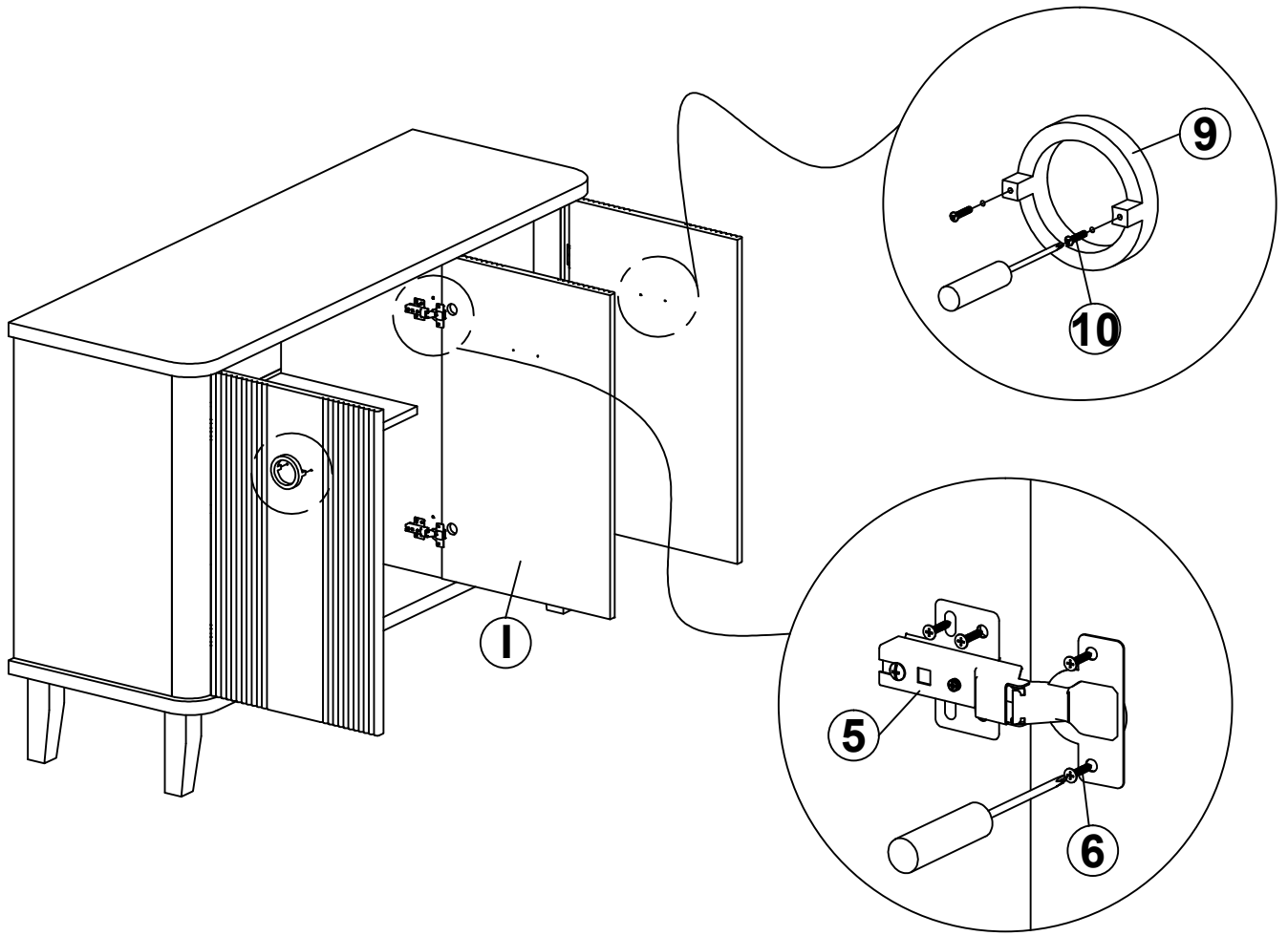
STEP 5



STEP 6

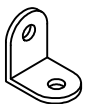


STEP 7



Part Enclosed/Material Fourni/Partes incluidas
Installation Instructions

The tip restraint must be attached to a wall stud using the 2" screw enclosed



X2



X1



X1



X1