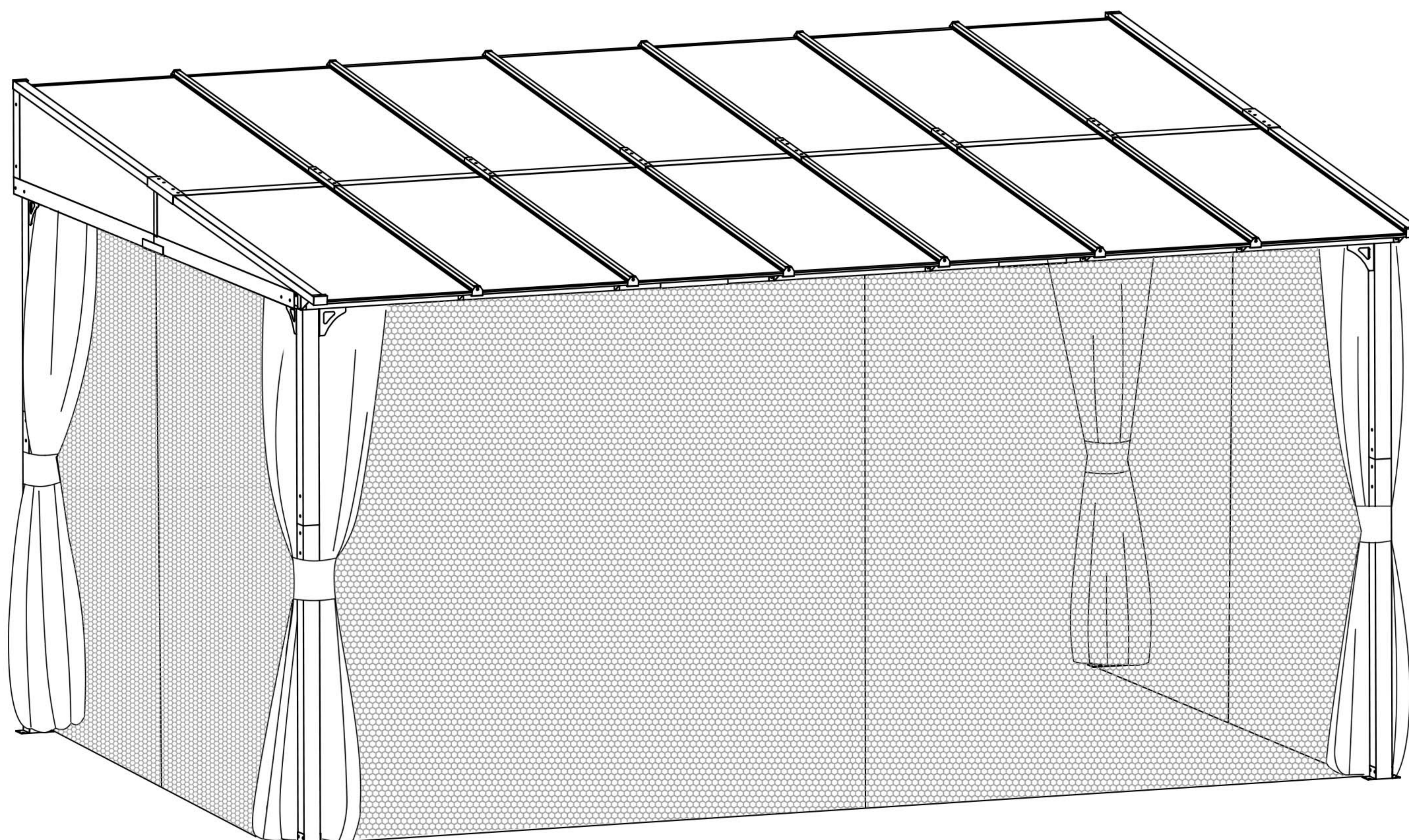


PC Roof
Wall Mounted Gazebo 10X13FT

SKU: BPYWM24G057-1
BPYWM24G057-2

ASSEMBLY INSTRUCTIONS



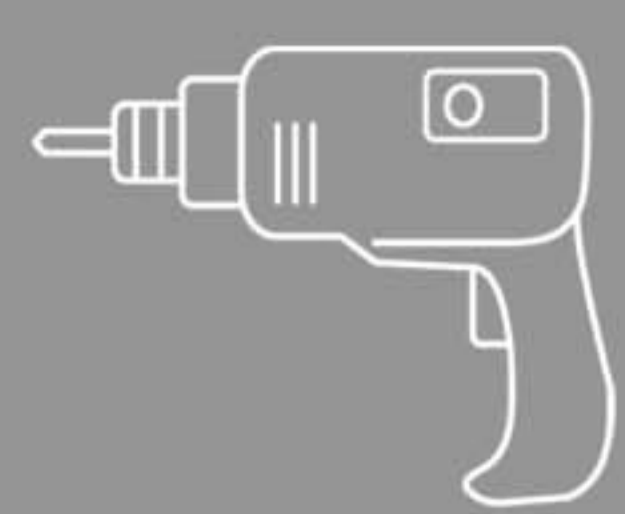
Please check the number of parts in the following accessory catalogue when unpacking. We have sent you more small parts for spare. If there is any missing or any questions about the installation. Please feel free to contact us. We will reply within 24 hours.



E-mail: cs.helper01@gmail.com

TOOLS RECOMMENDED

*NOTE: The recommended tools are not included in boxes and need to be prepared by yourself.



DRILL



RUBBER Mallet



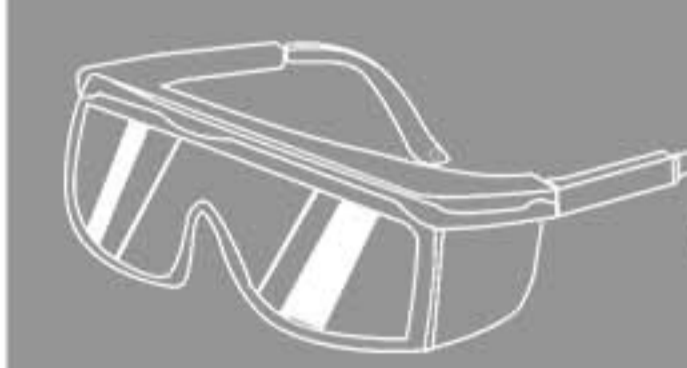
STEPLADDER
(6.5Ft Or More)



SAFETY HAT



GLOVES



SAFETY GOGGLES

ATTENTIONS



Since it is easy to lose many small accessories during the installation, please collect all the screw accessories before the assembly is completed



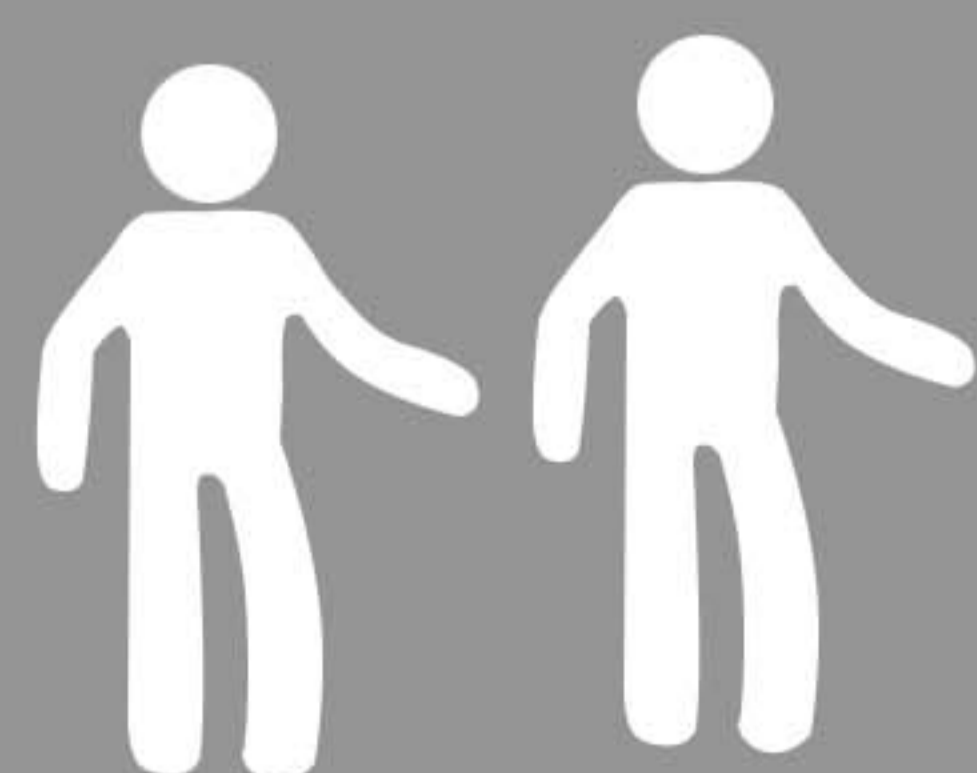
To better align the screws for practical situations, do not fully tighten screws initially



Please reinforced the Gazebo and do not use in heavy winds or inclement weather



Make sure all screws are tightened before use and check all screws, buckles and straps every 90 days

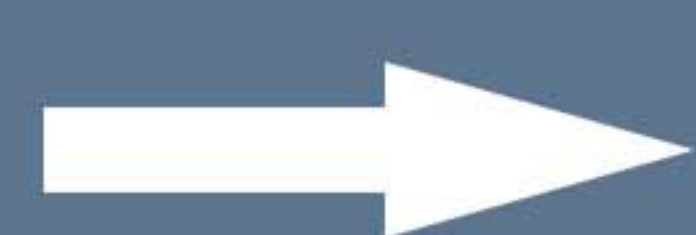


Two or more people are required for assembly



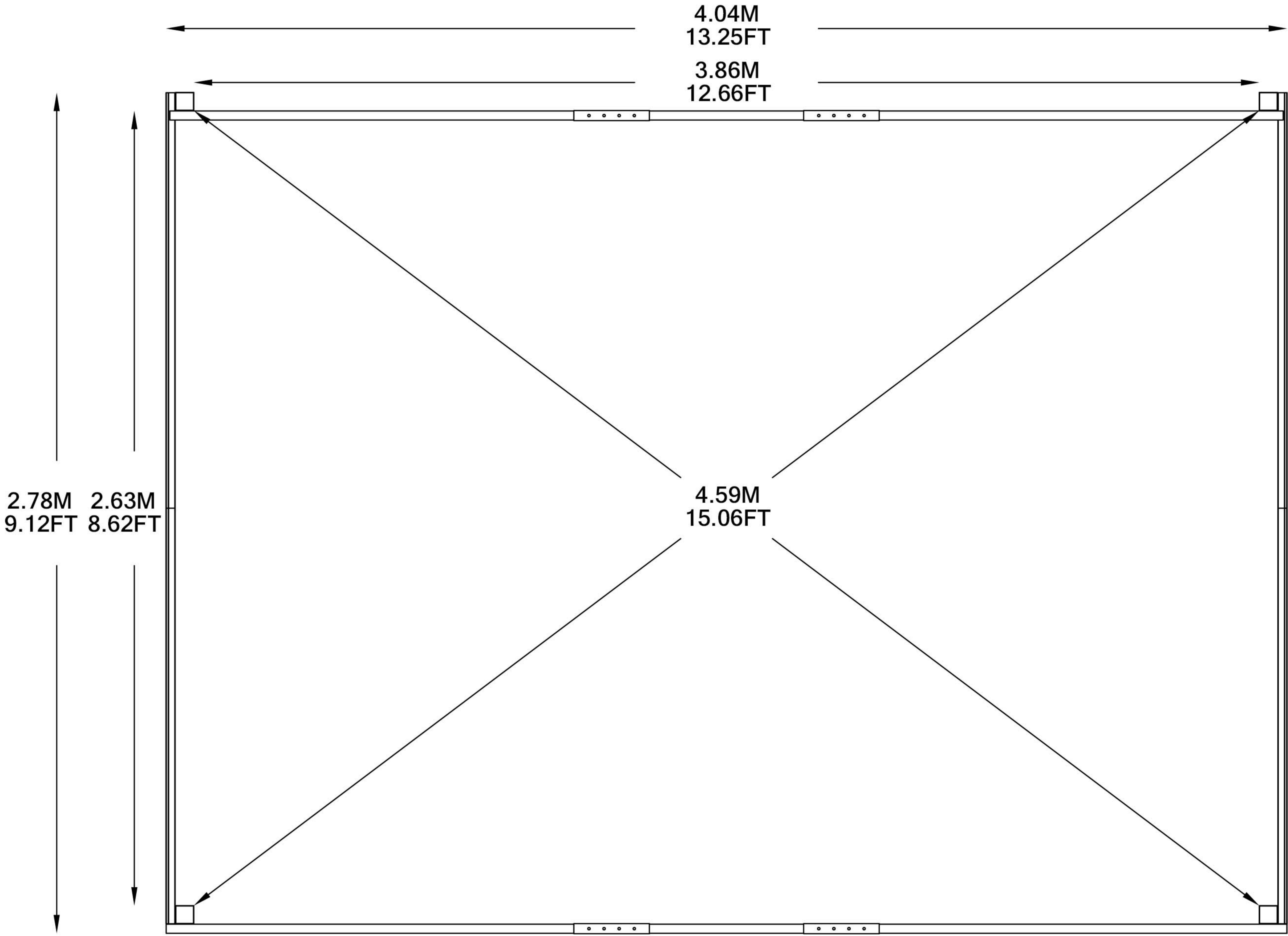
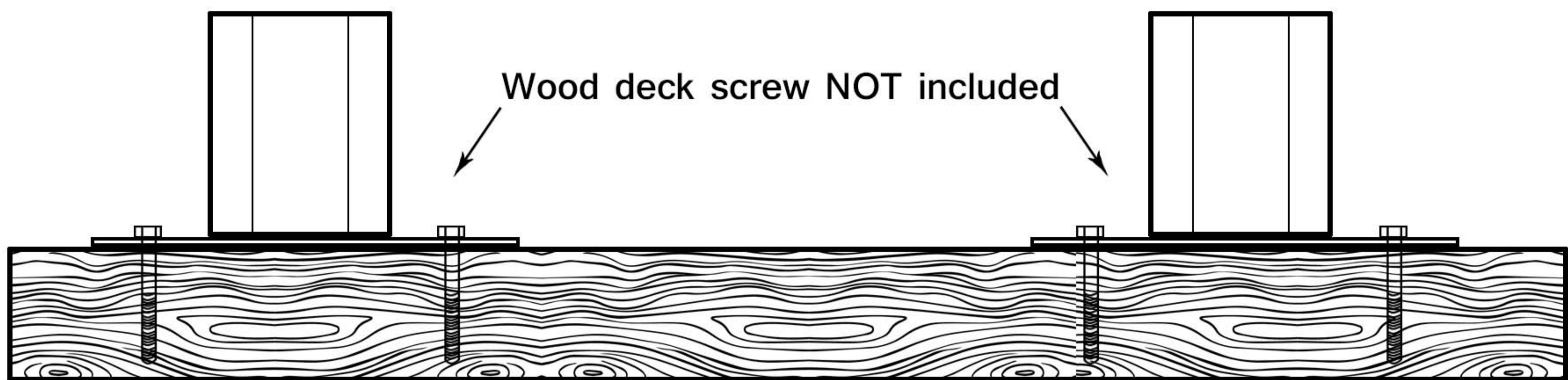
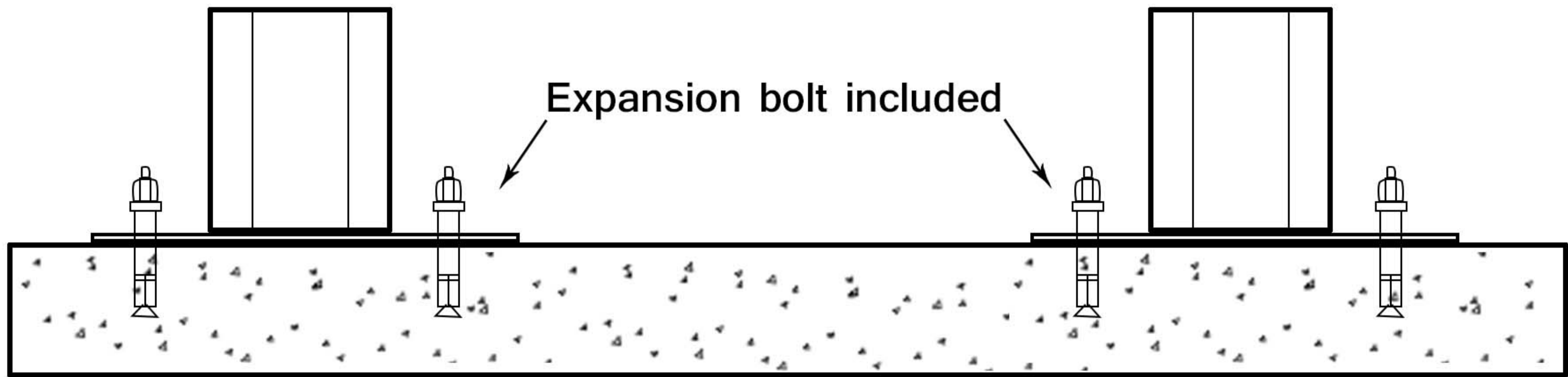
Please clear the snow off the roof in time for the heavy snowfall and do not use it

Please take care of the screws and contact the after-sales service if there is any problem with the installation or parts.



Permanent Installation Examples

Our supporting expansion screws can only be used for cement floors, customers need to bring their own special screws if they are used for wood floors

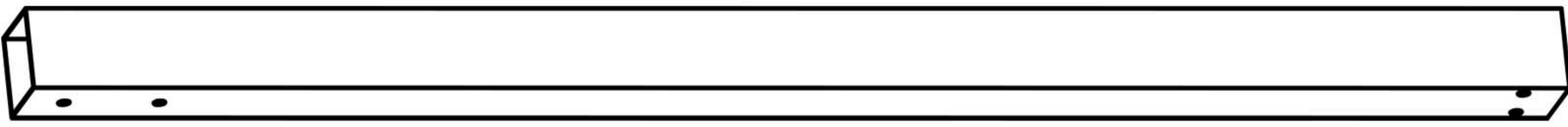
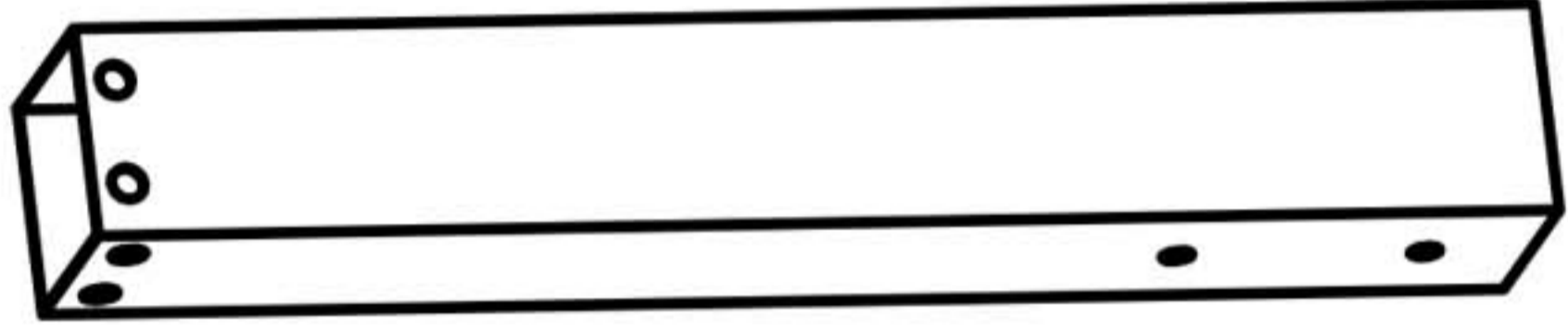
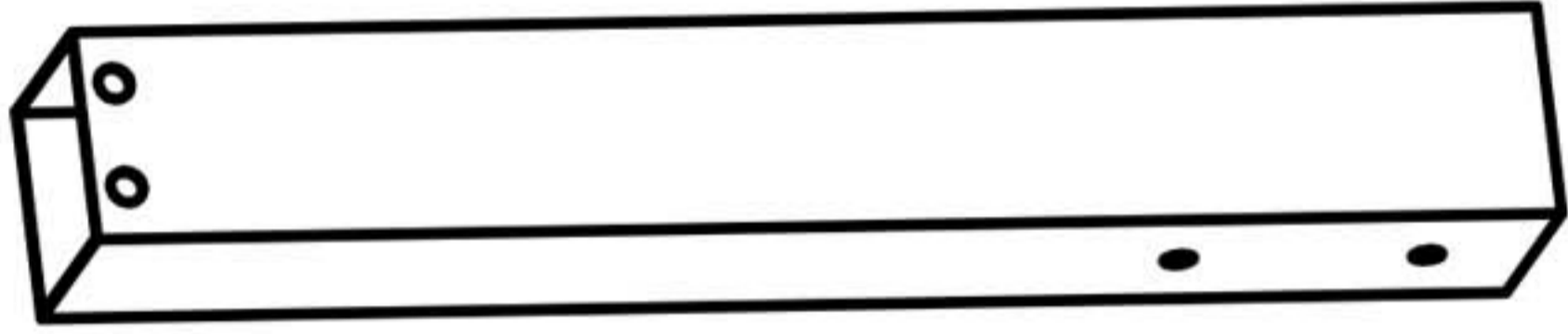
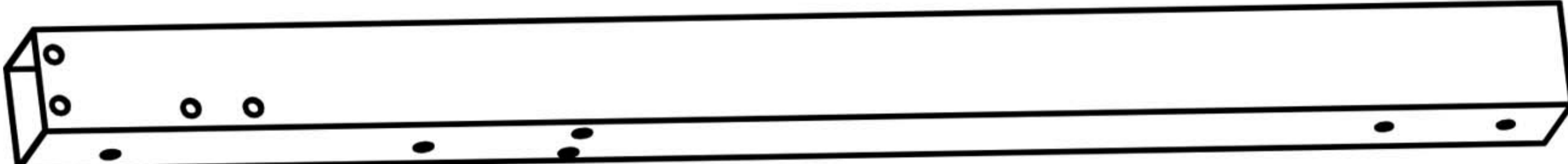
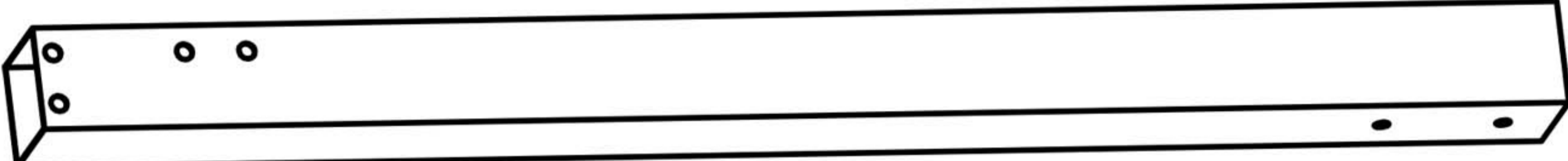


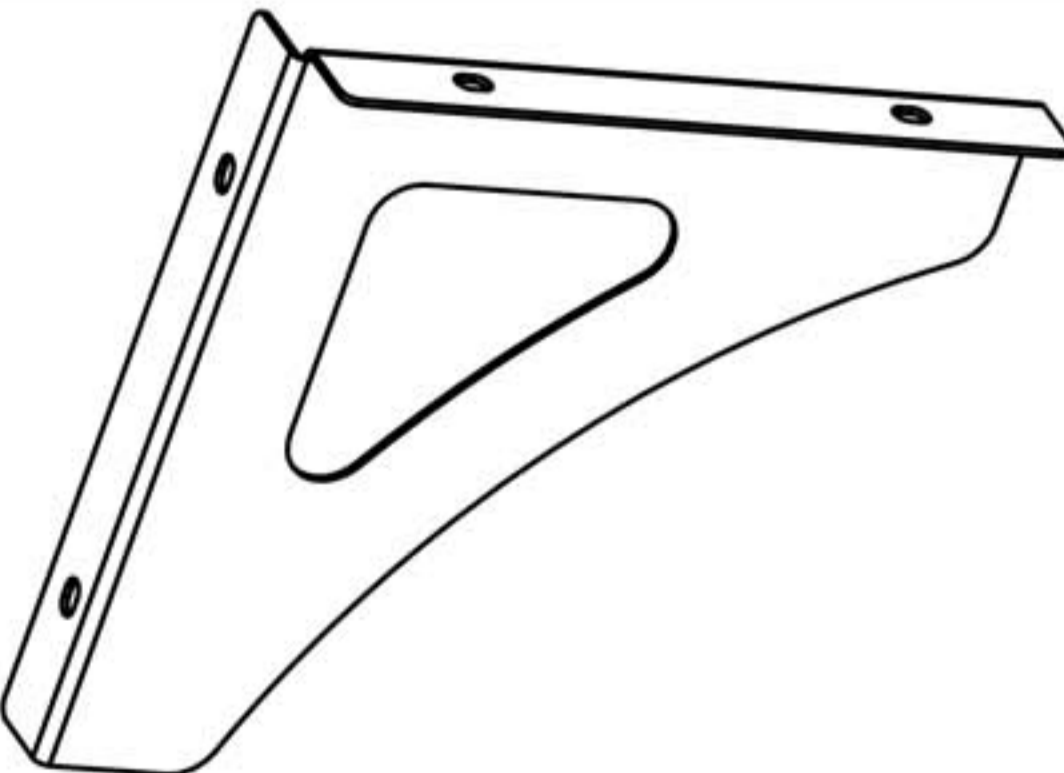
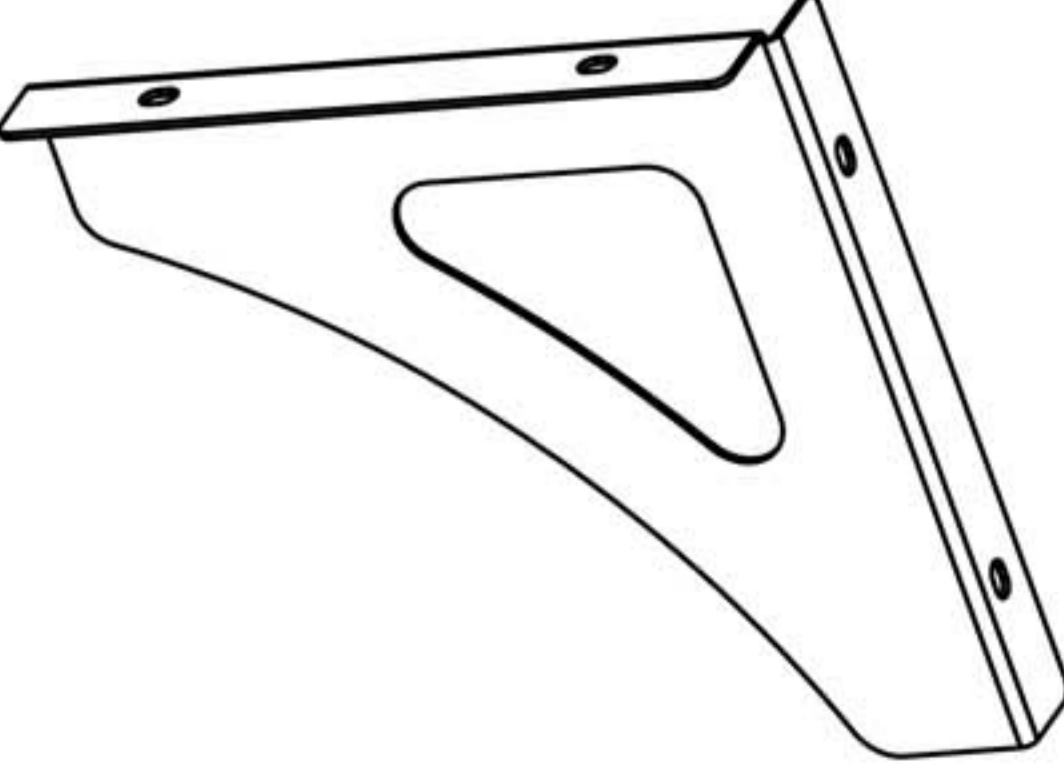


Please take care of the screws and contact the after-sales service if there is any problem with the installation or parts.

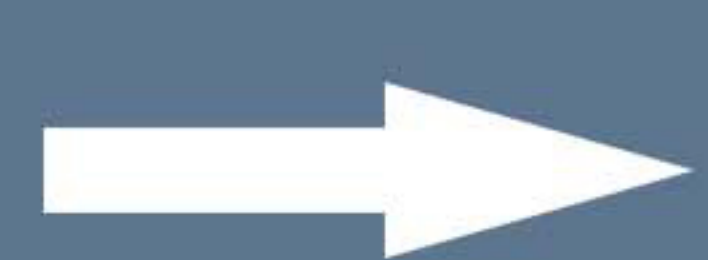
➔ ✉ E-mail: cs.helper01@gmail.com

ACCESSORY CATALOGUE

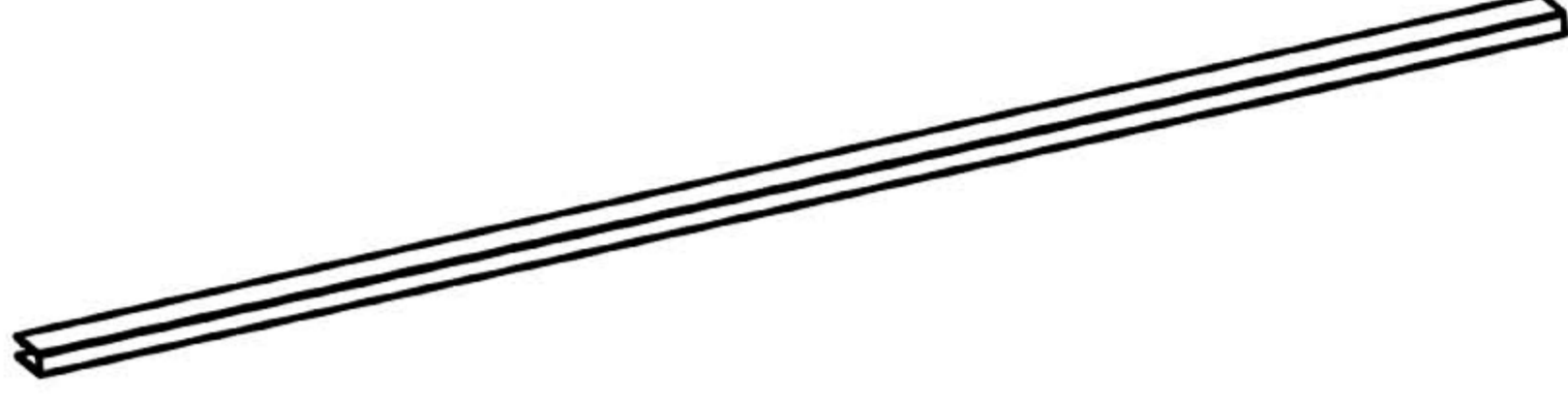
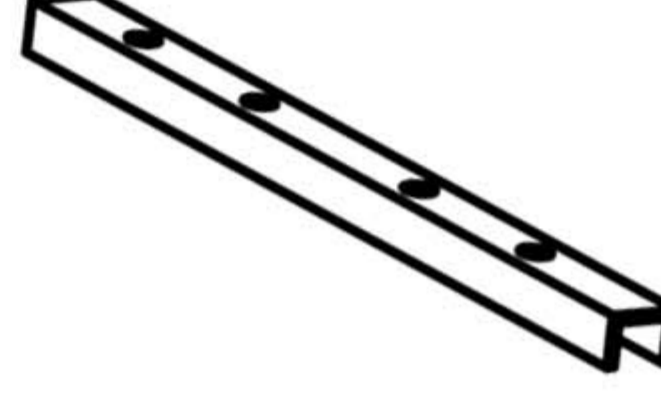

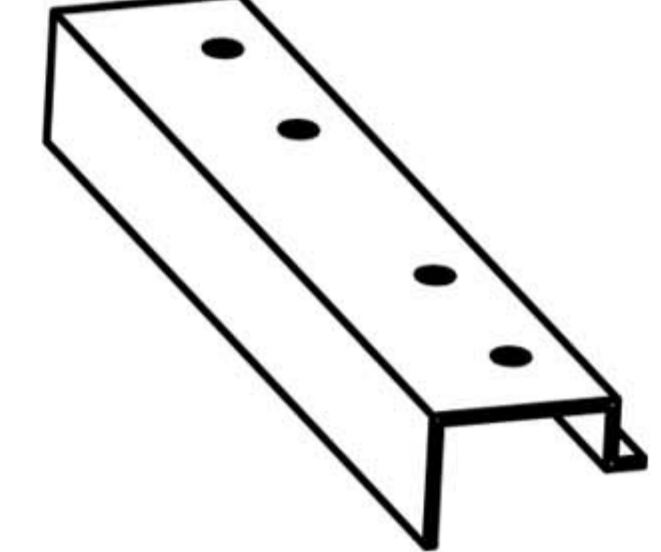

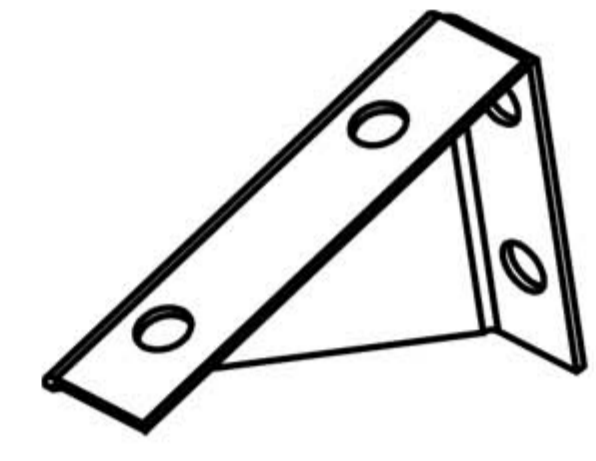
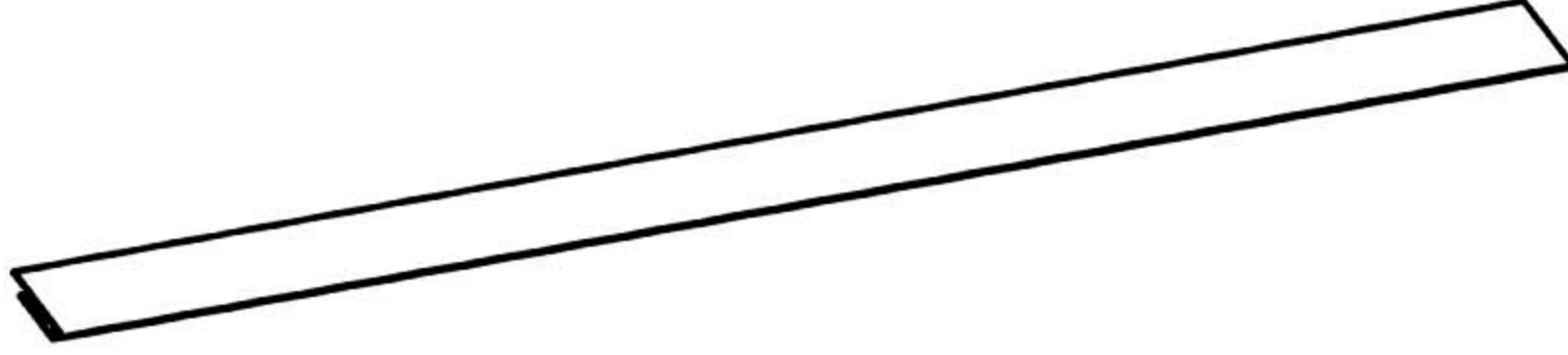
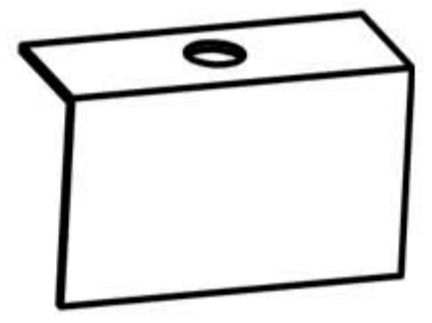
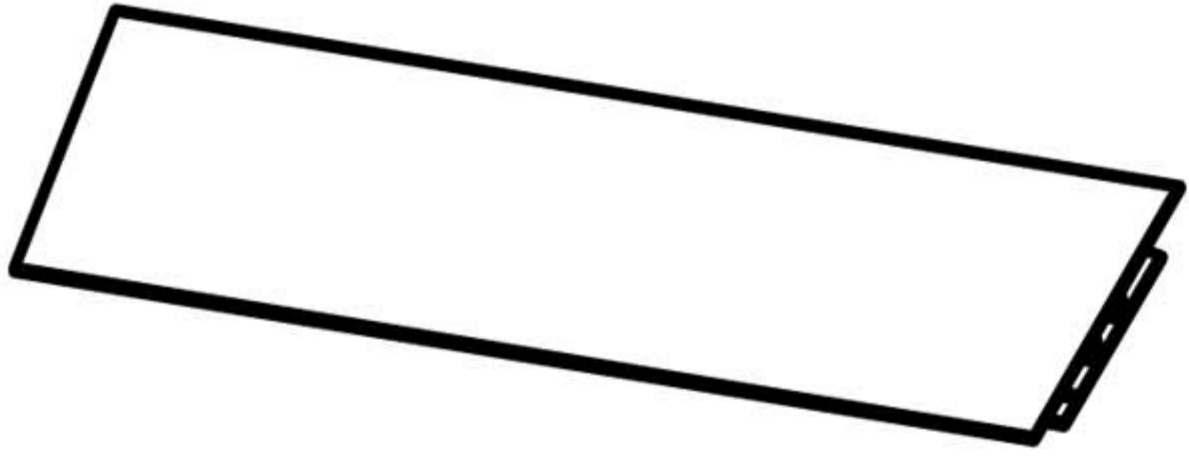
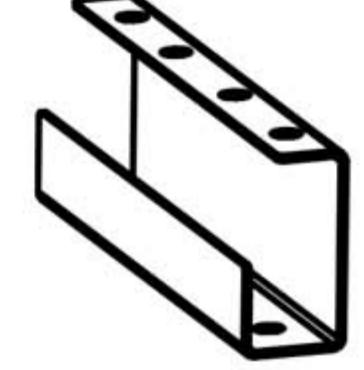

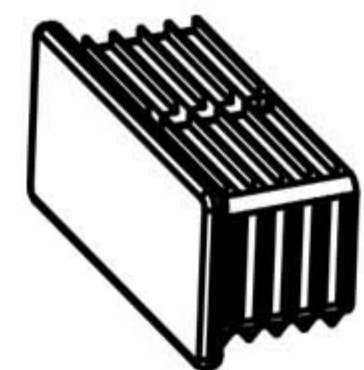
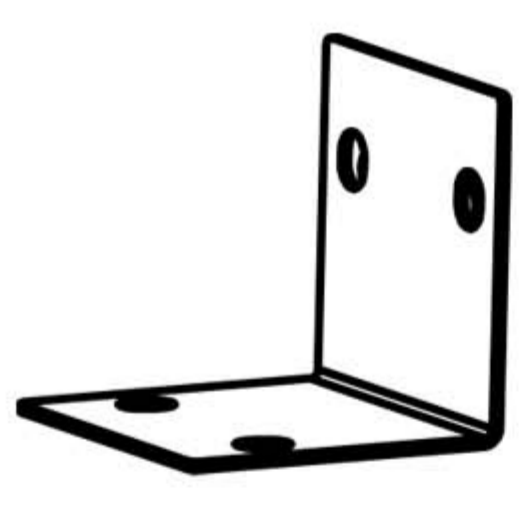
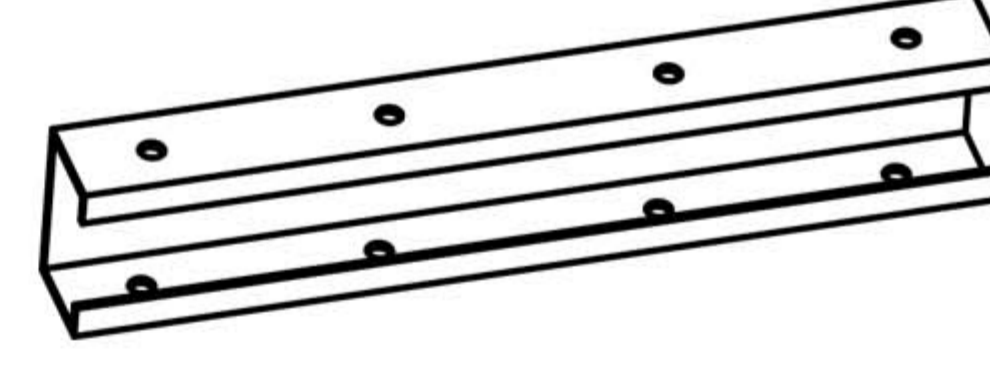

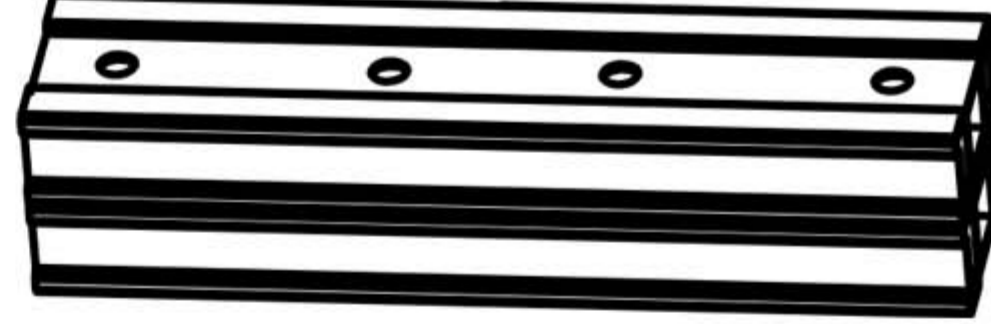
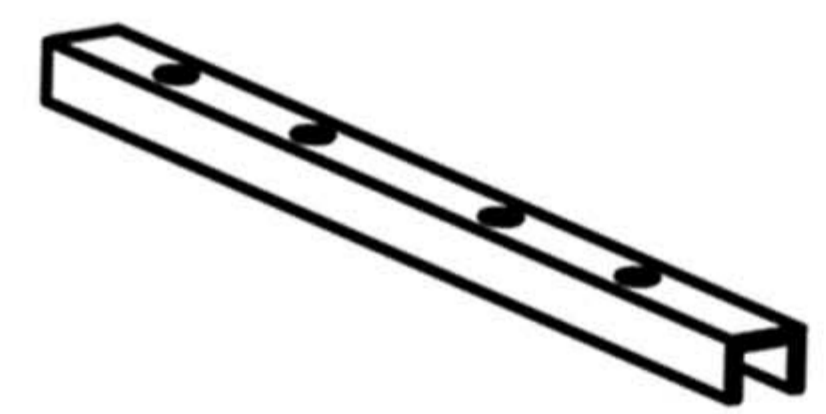
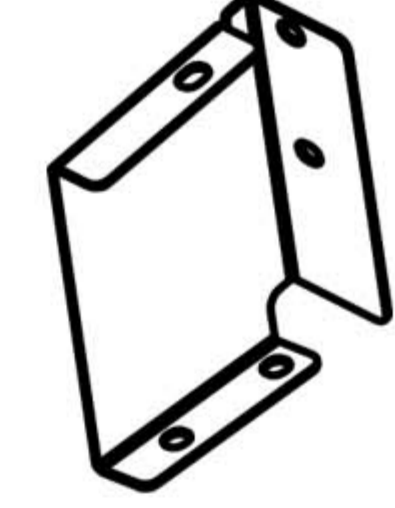
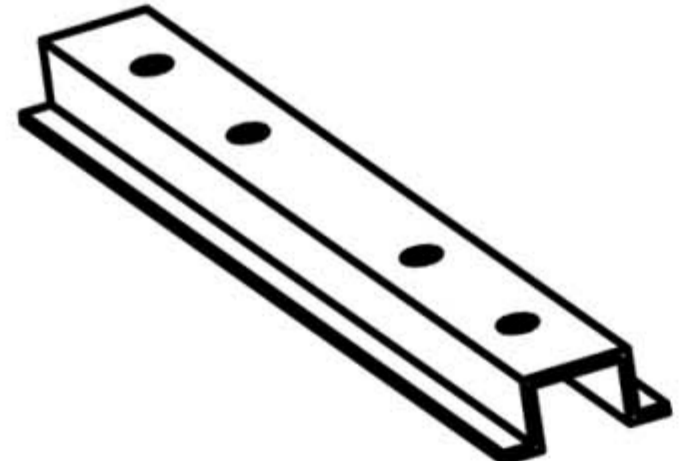
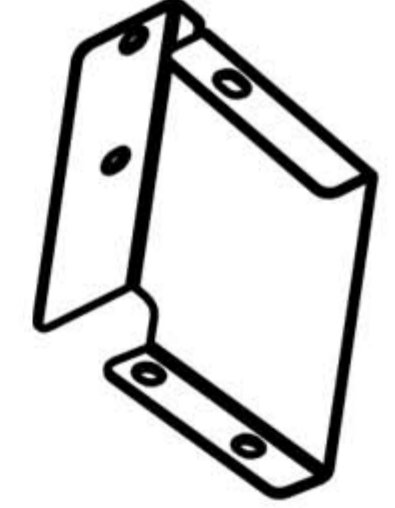
BOX 1 SKU: BPYWM24G057-1

Item no.	Reference Image	Qty.
A		4
A1		1
A2		1
A3		1
A4		1
D		2
D1		2
F		4
F1		4

Please take care of the screws and contact the after-sales service if there is any problem with the installation or parts.




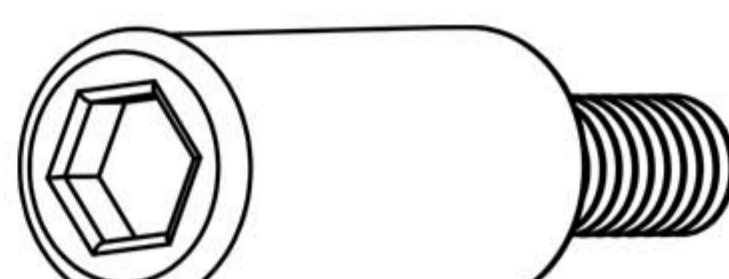

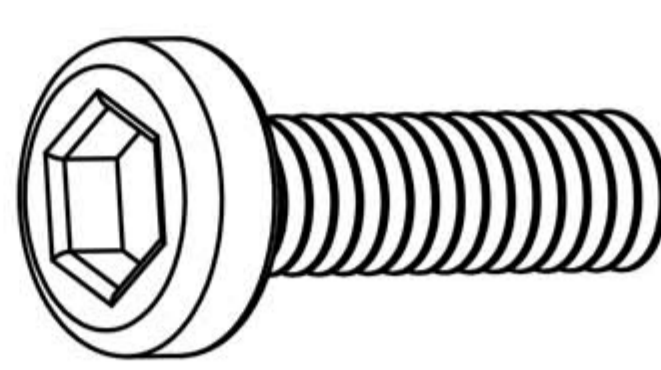
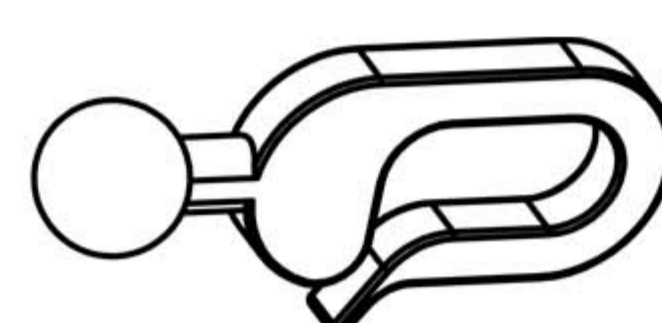

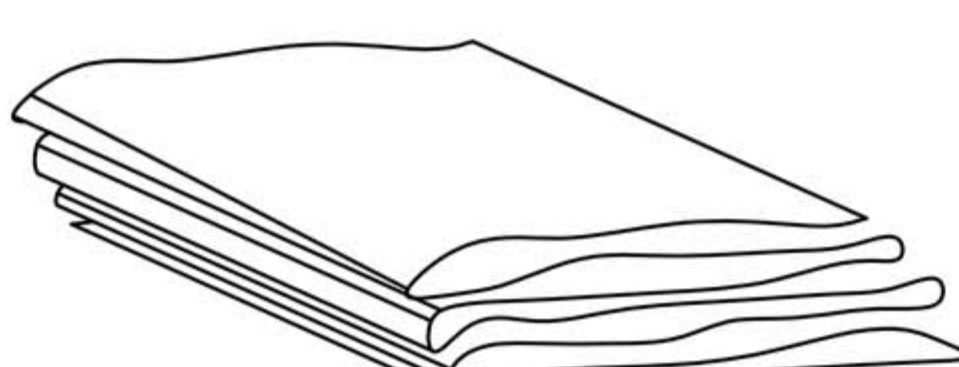
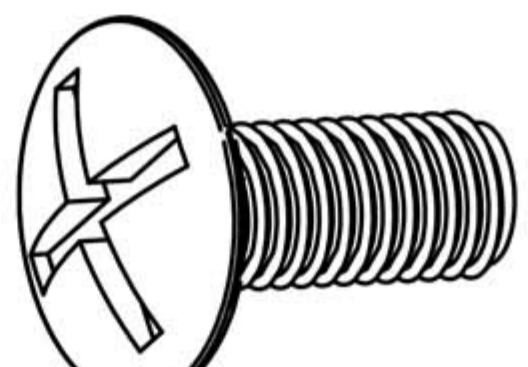
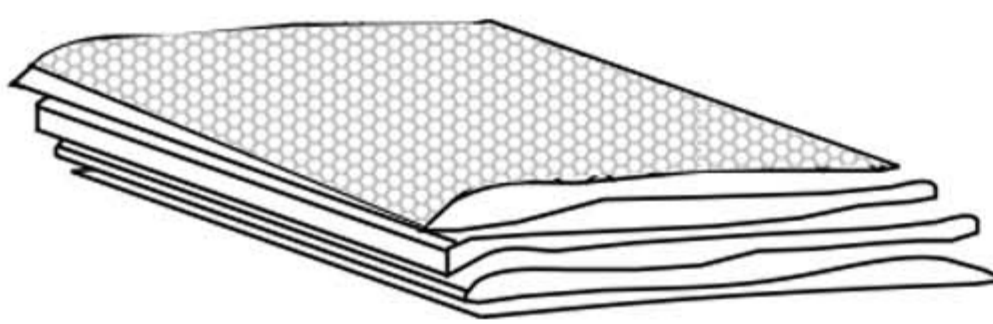

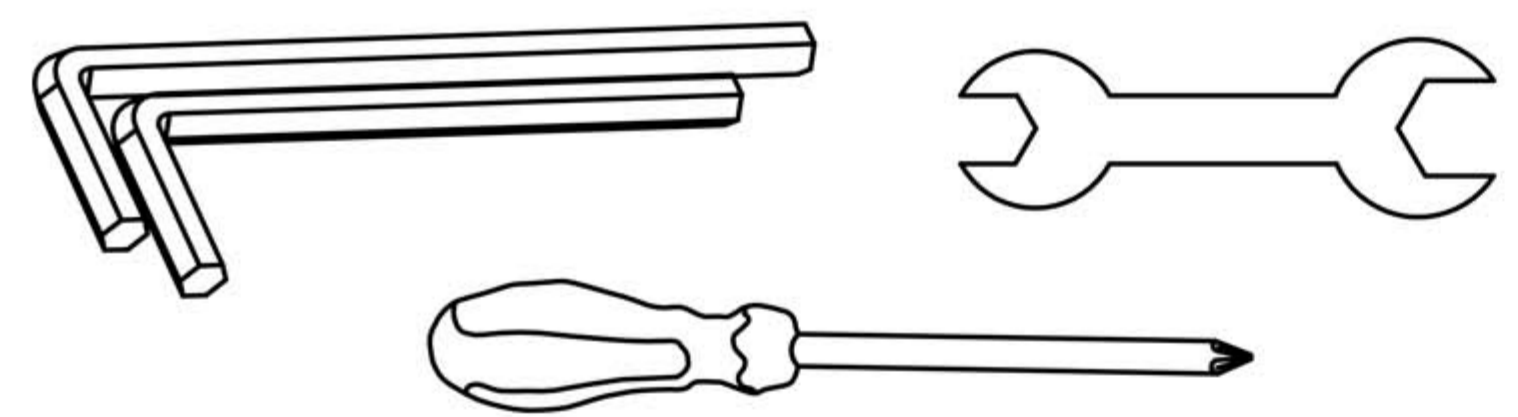
ACCESSORY CATALOGUE

Item no.	Reference Image	Qty.	Item no.	Reference Image	Qty.
G		14	M3		2
G1		1	M4		2
G2		1	M5		16
I		7	M6		4
I1		1	M7		2
I2		1	M8		12
L		8	P		4
M		12	P1		4
M1		6	R1		1
M2		6	R2		1

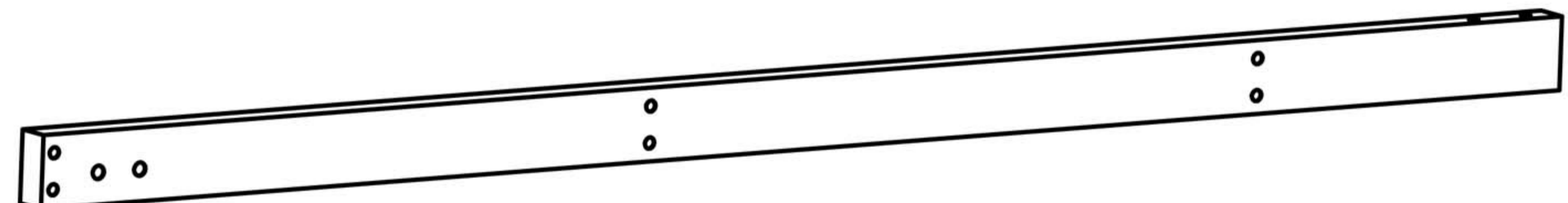
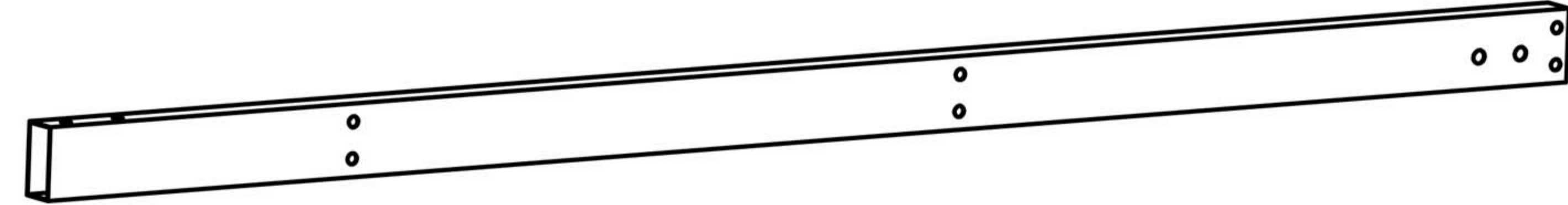
Please take care of the screws and contact the after-sales service if there is any problem with the installation or parts.

➔ ✉ E-mail: cs.helper01@gmail.com

ACCESSORY CATALOGUE

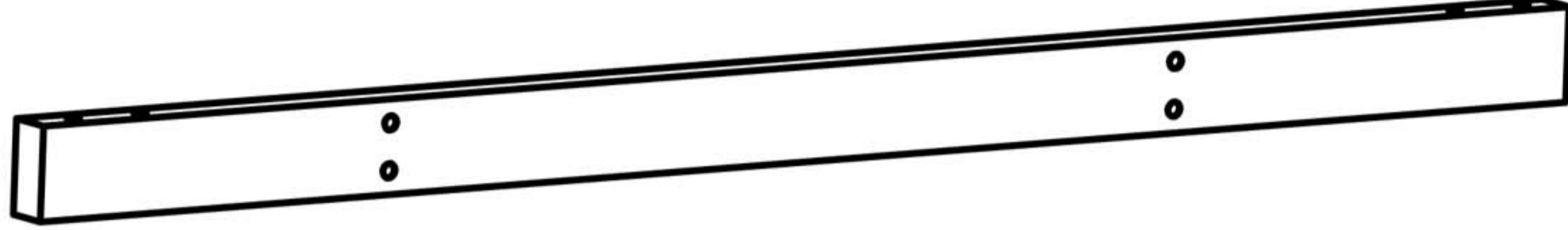
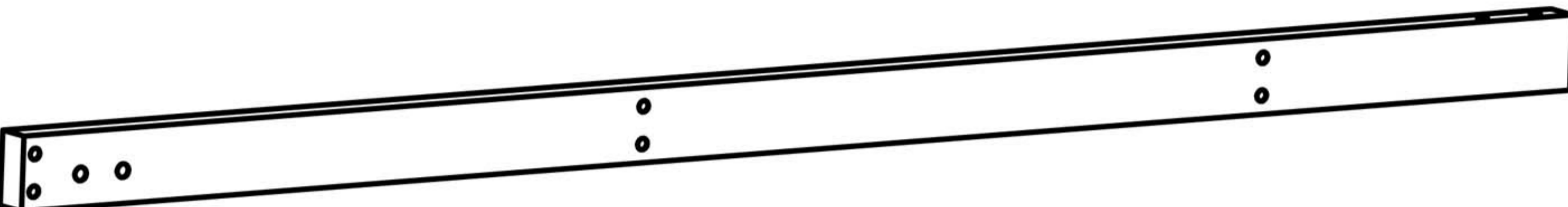
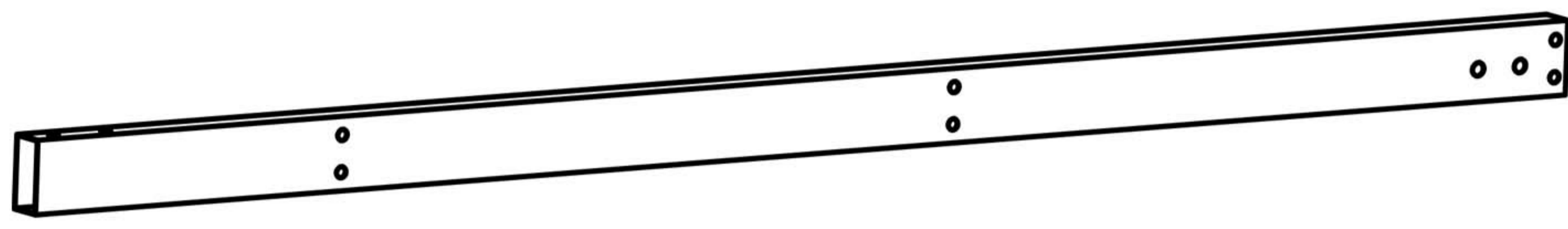
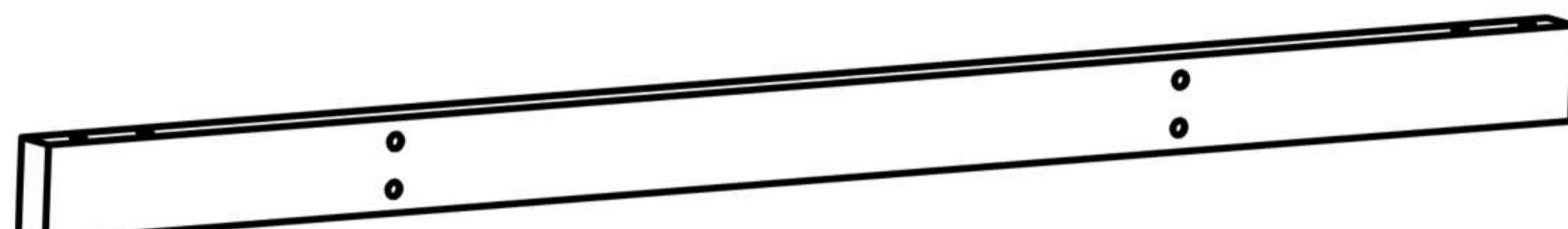
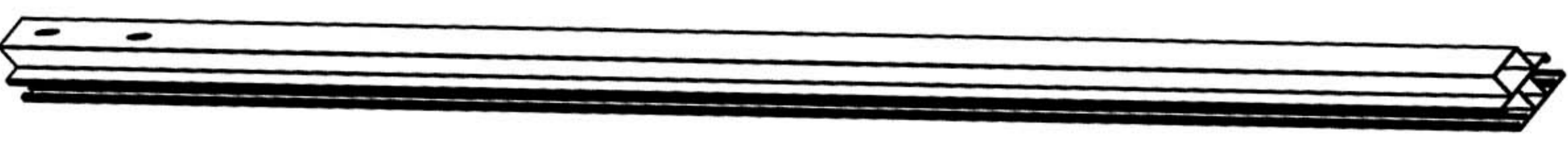

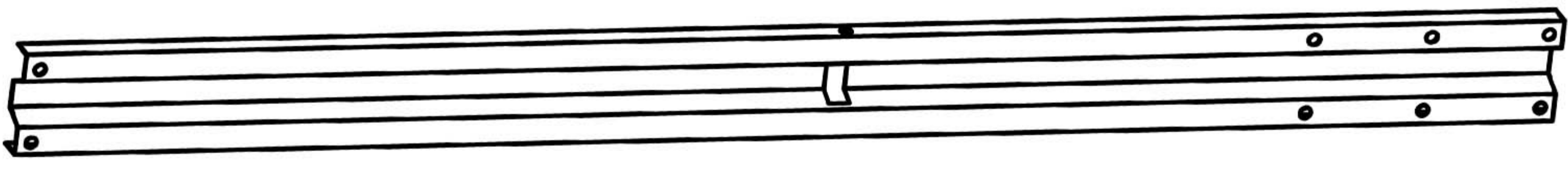


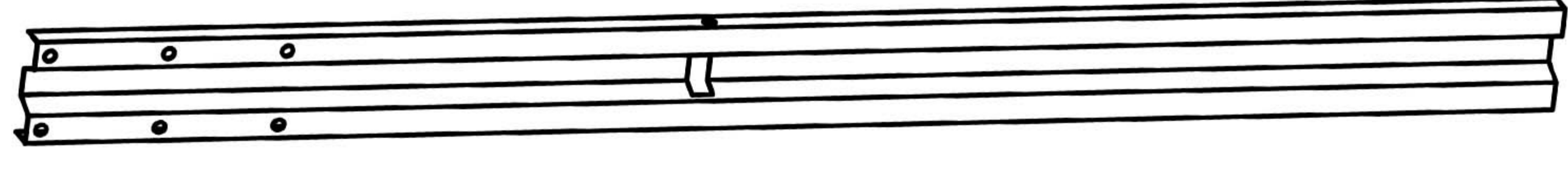
Item no.	Reference Image	Qty.	Item no.	Reference Image	Qty.
S		4	X	 M6X40mm	20
W		4	X1	 M6X15mm	198
Q		52	X2	 M6X15mm	22
Z		1	X3	 M5X15mm	70
Z1		1	1		8
2		1			

BOX 2 SKU: BPYWM24G057-2

Item no.	Reference Image	Qty.
B		1
B1		1

Please take care of the screws and contact the after-sales service if there is any problem with the installation or parts.

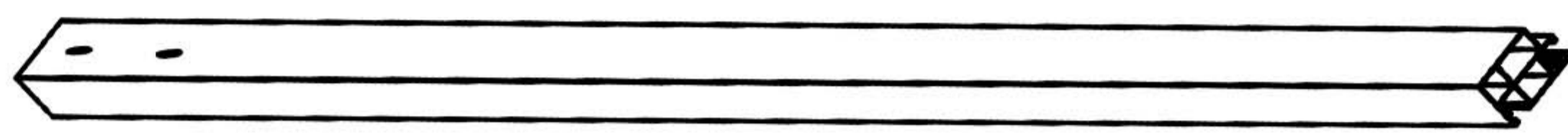
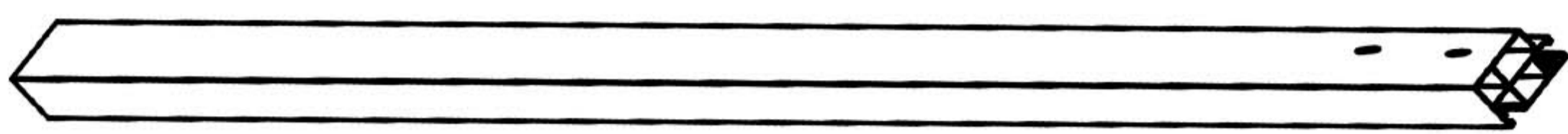


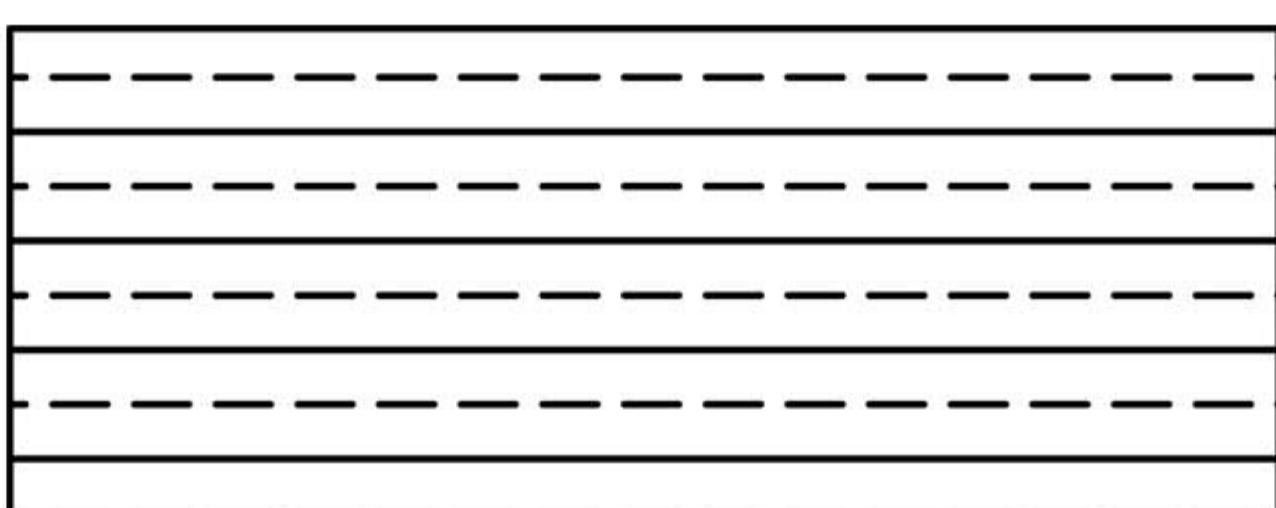
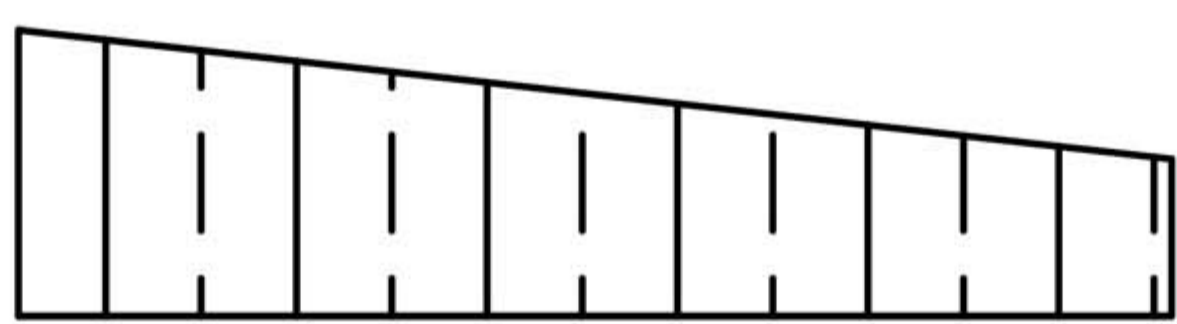

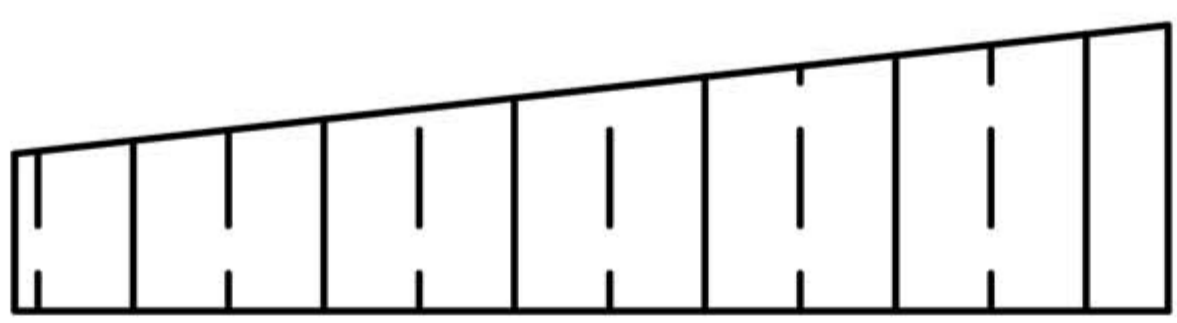
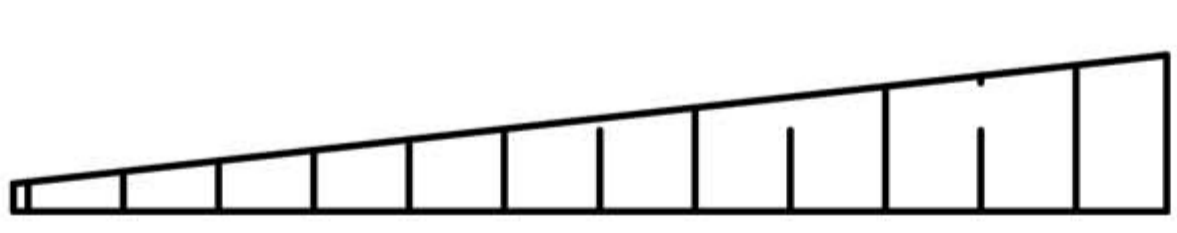
ACCESSORY CATALOGUE

Item no.	Reference Image	Qty.
B2		1
C		1
C1		1
C2		1
K		6
K1		6
N1		1
N2		1
N3		1
N4		1

Please take care of the screws and contact the after-sales service if there is any problem with the installation or parts.

➔ ✉ E-mail: cs.helper01@gmail.com

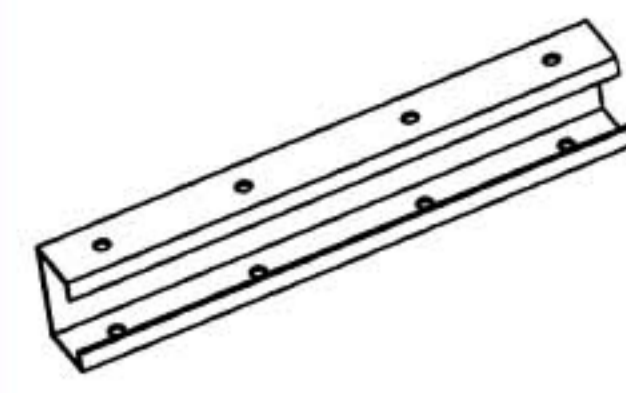
ACCESSORY CATALOGUE

Item no.	Reference Image	Qty.
E		1
E1		1
E2		1
E3		1
Y		14
Y1		1
Y2		1
Y3		1
Y4		1

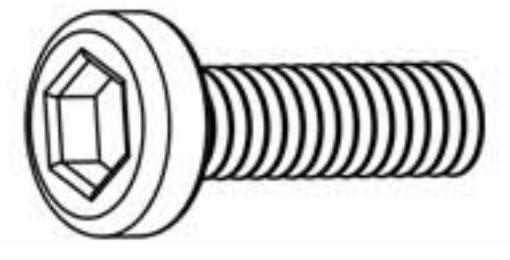
Please take care of the screws and contact the after-sales service if there is any problem with the installation or parts.

STEP 1

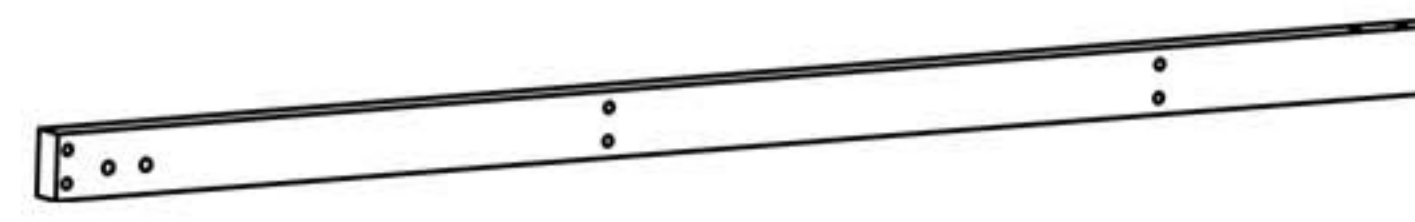
Parts required



P 4pcs



X1 32pcs



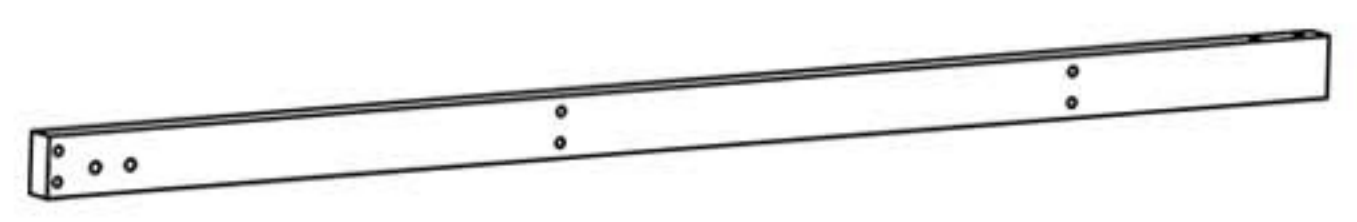
C 1pcs



C1 1pcs



C2 1pcs




B 1pcs

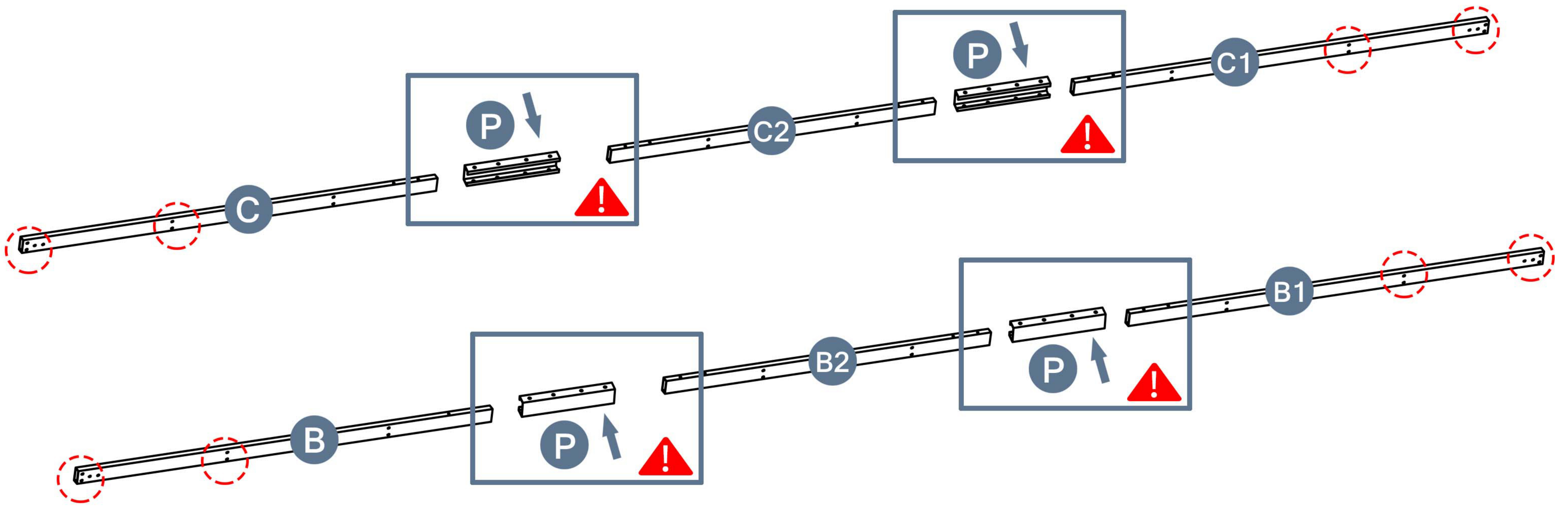



B1 1pcs

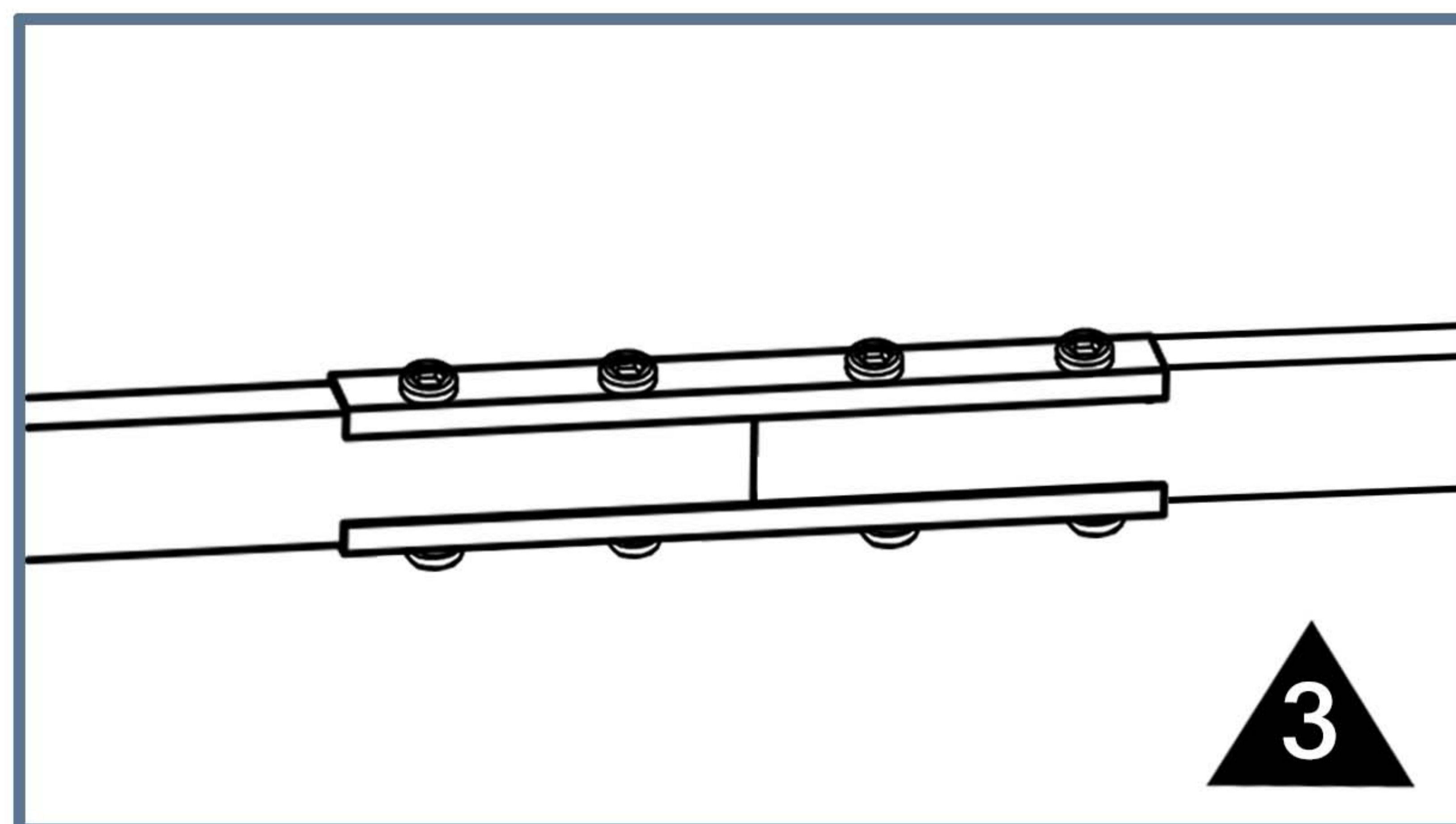
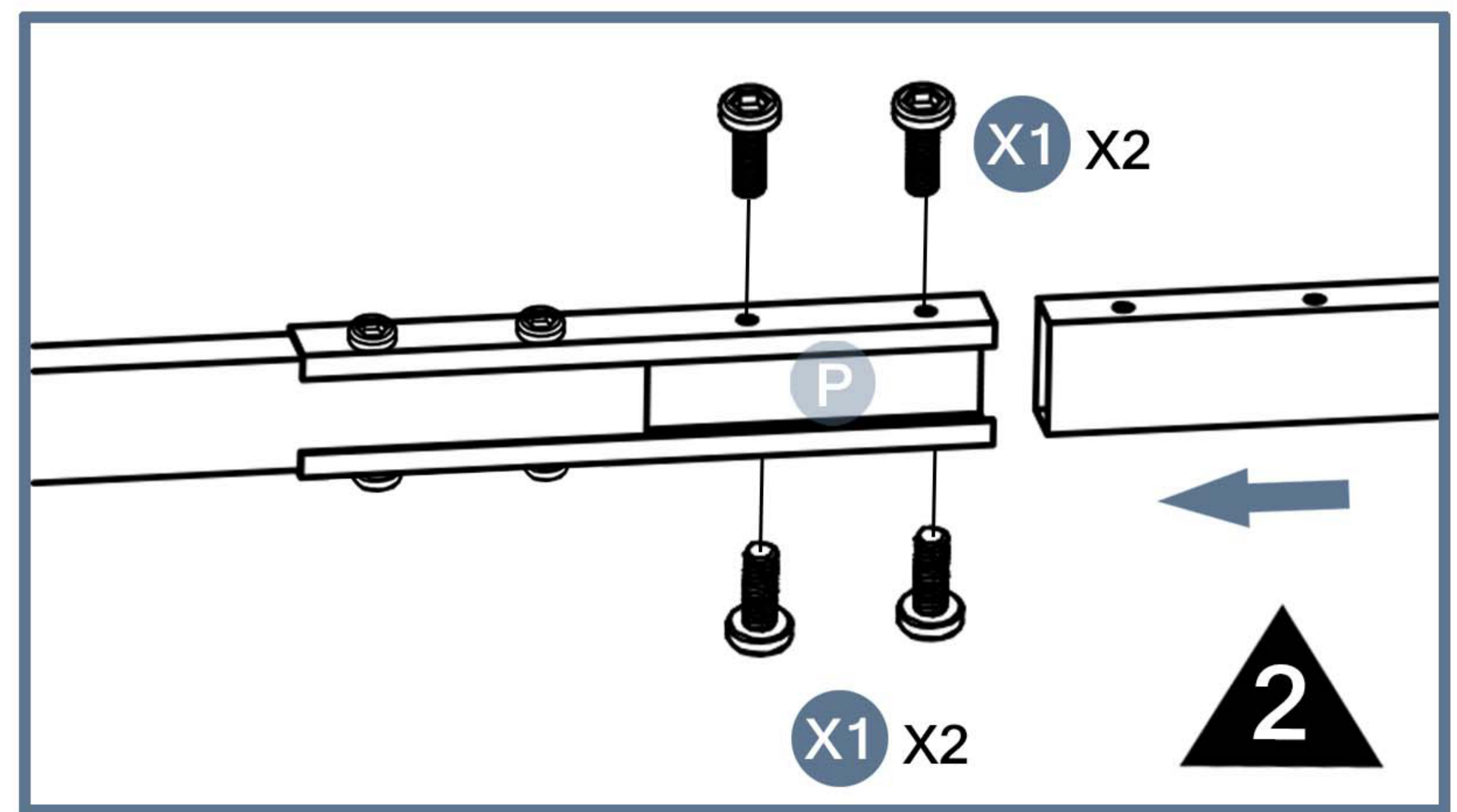
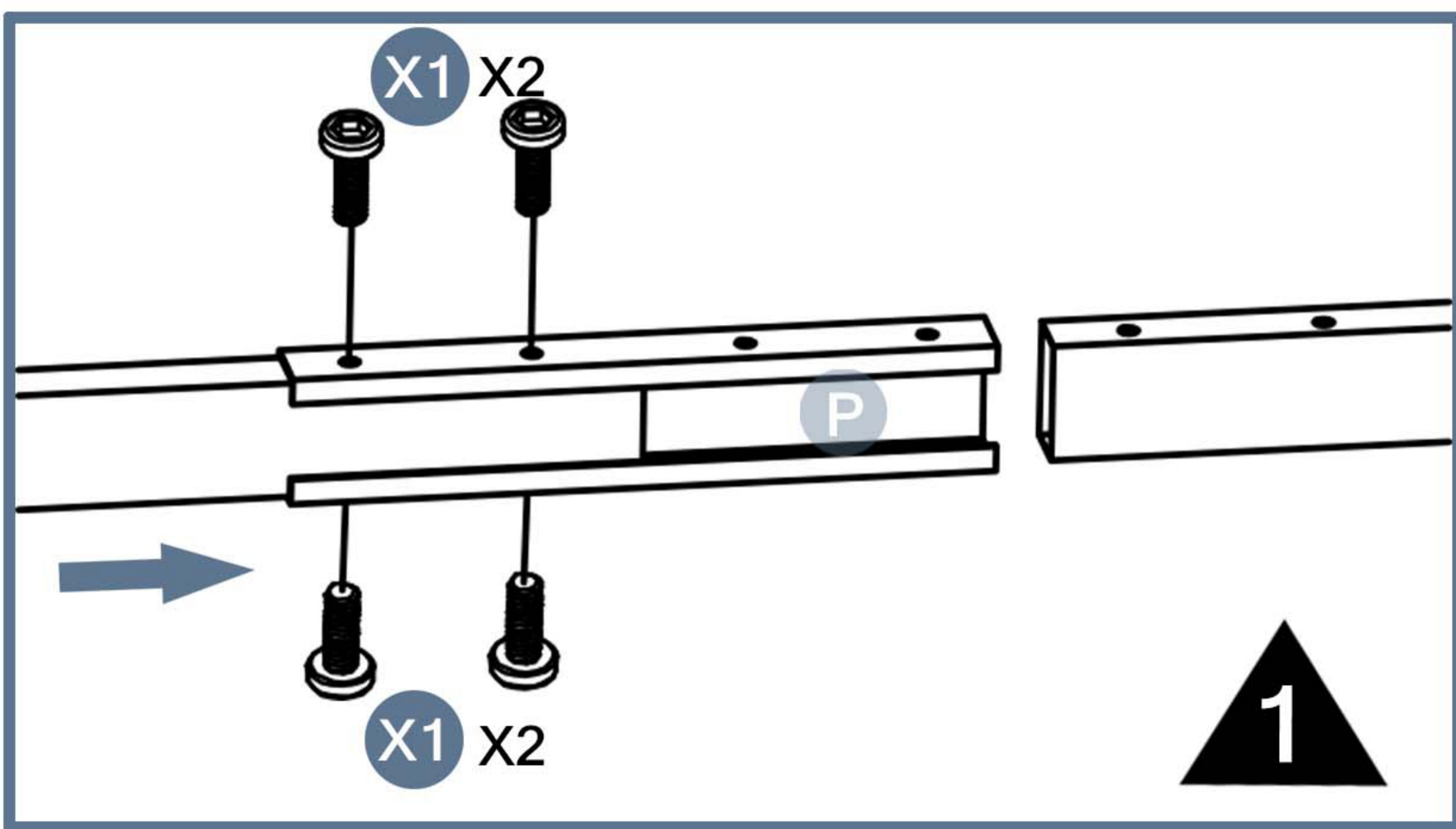


B2 1pcs

 Please note the orientation of the hole.



 Pay attention to the direction of P and pipe.

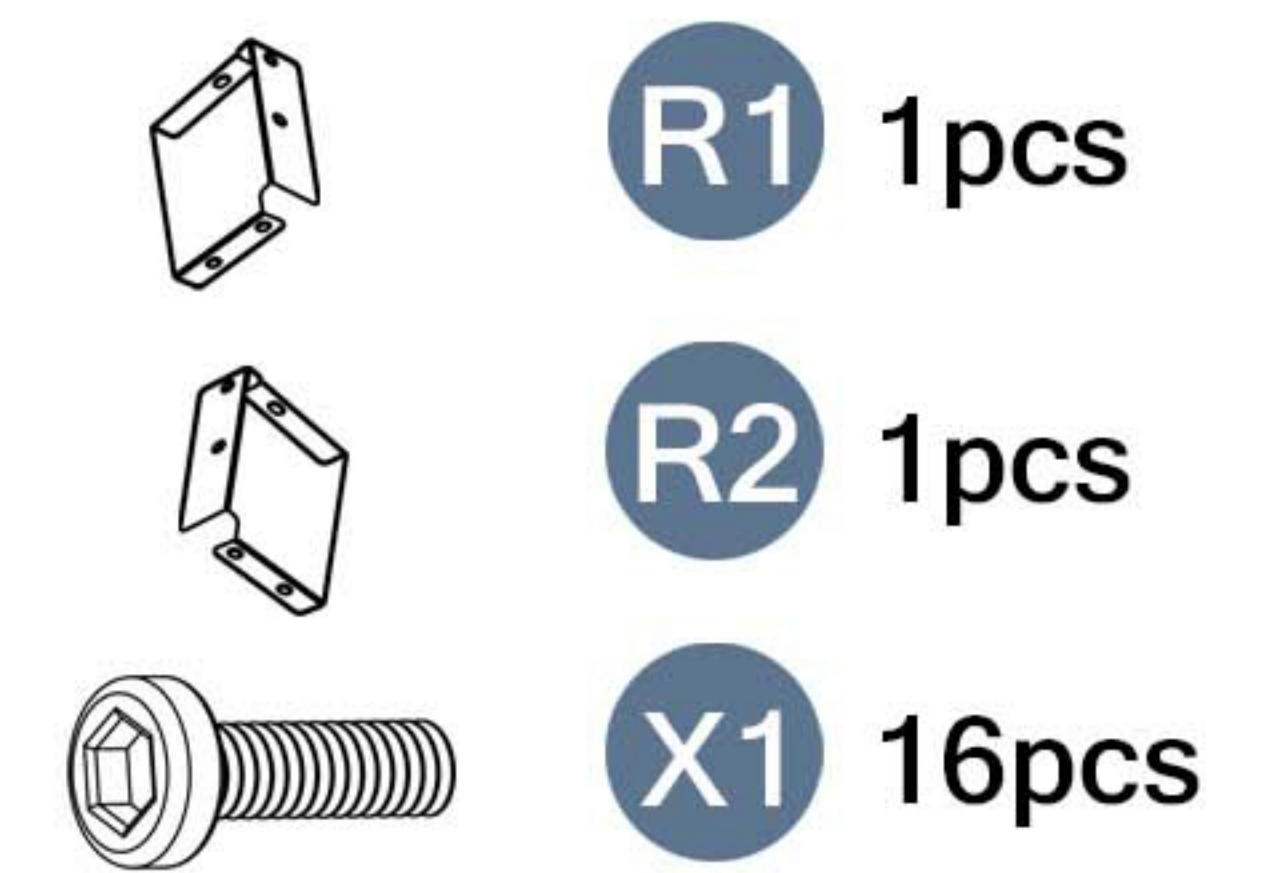
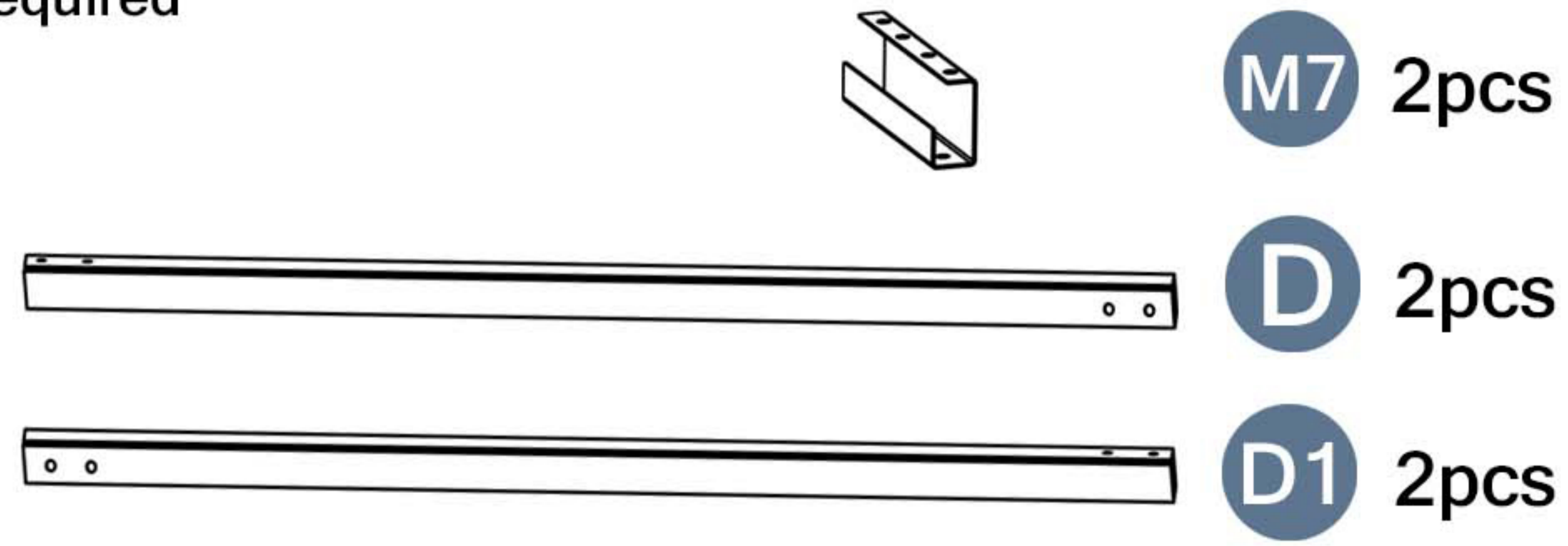


Please take care of the screws and contact the after-sales service if there is any problem with the installation or parts.

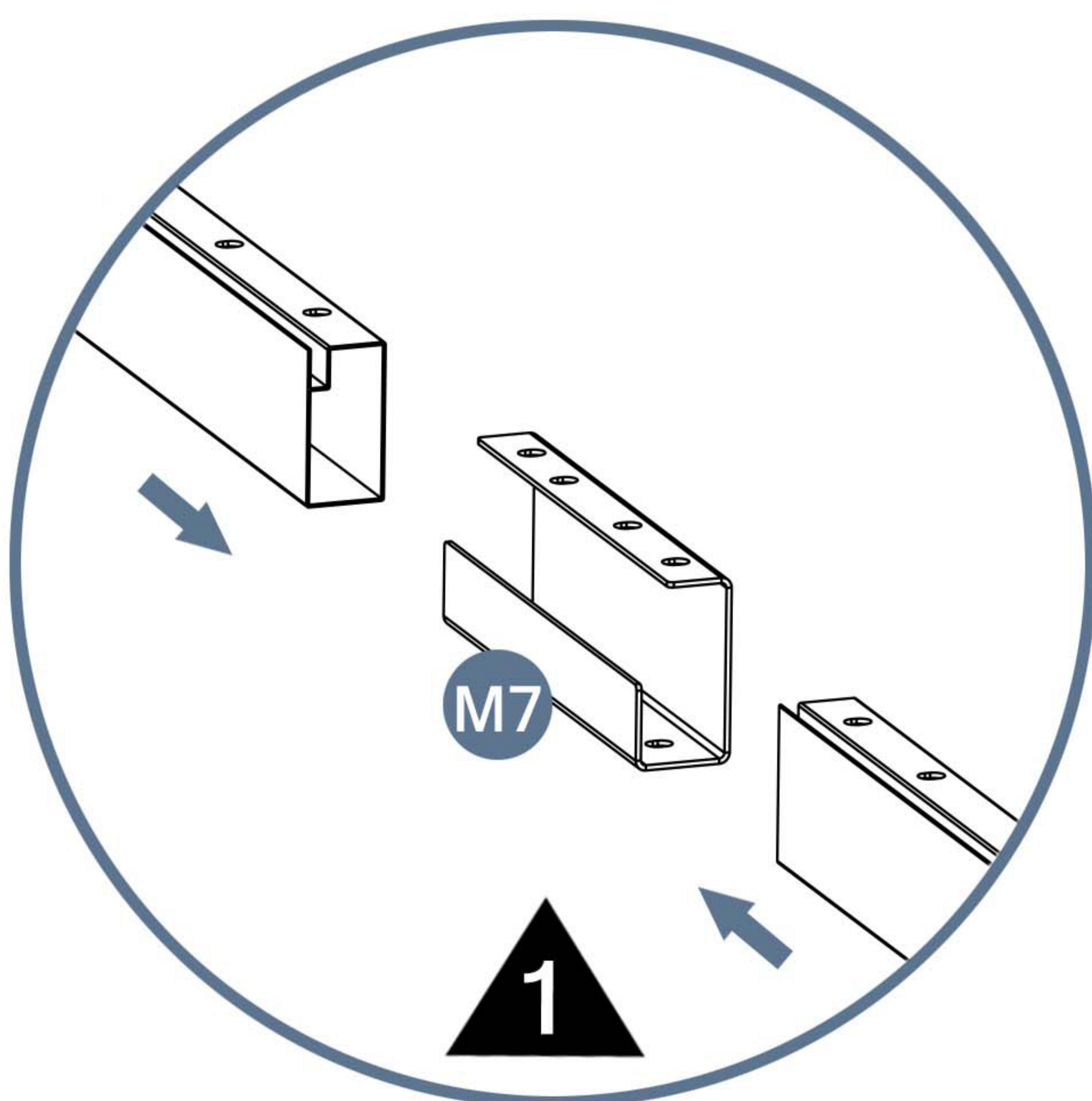
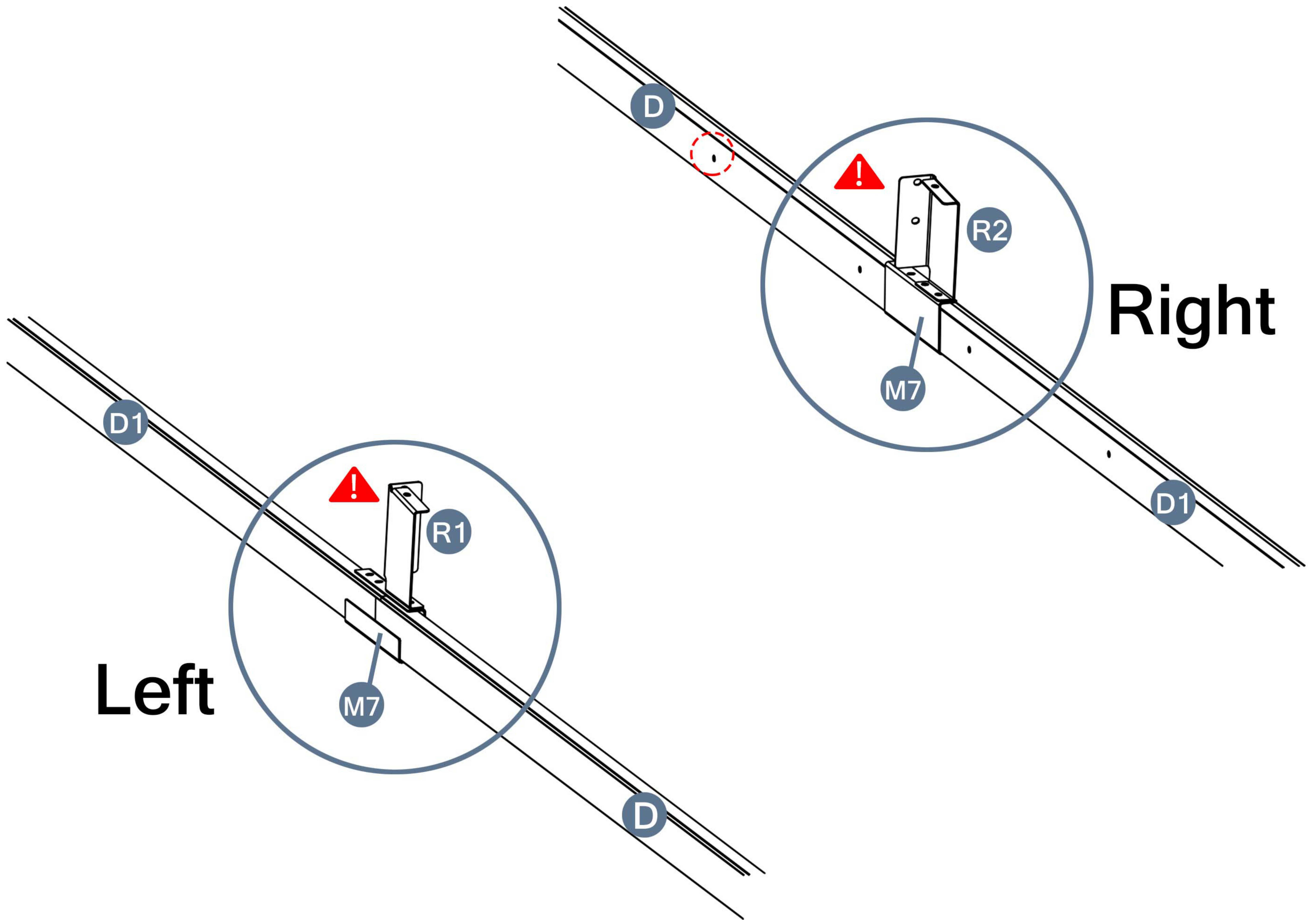
  E-mail: cs.helper01@gmail.com

STEP 3

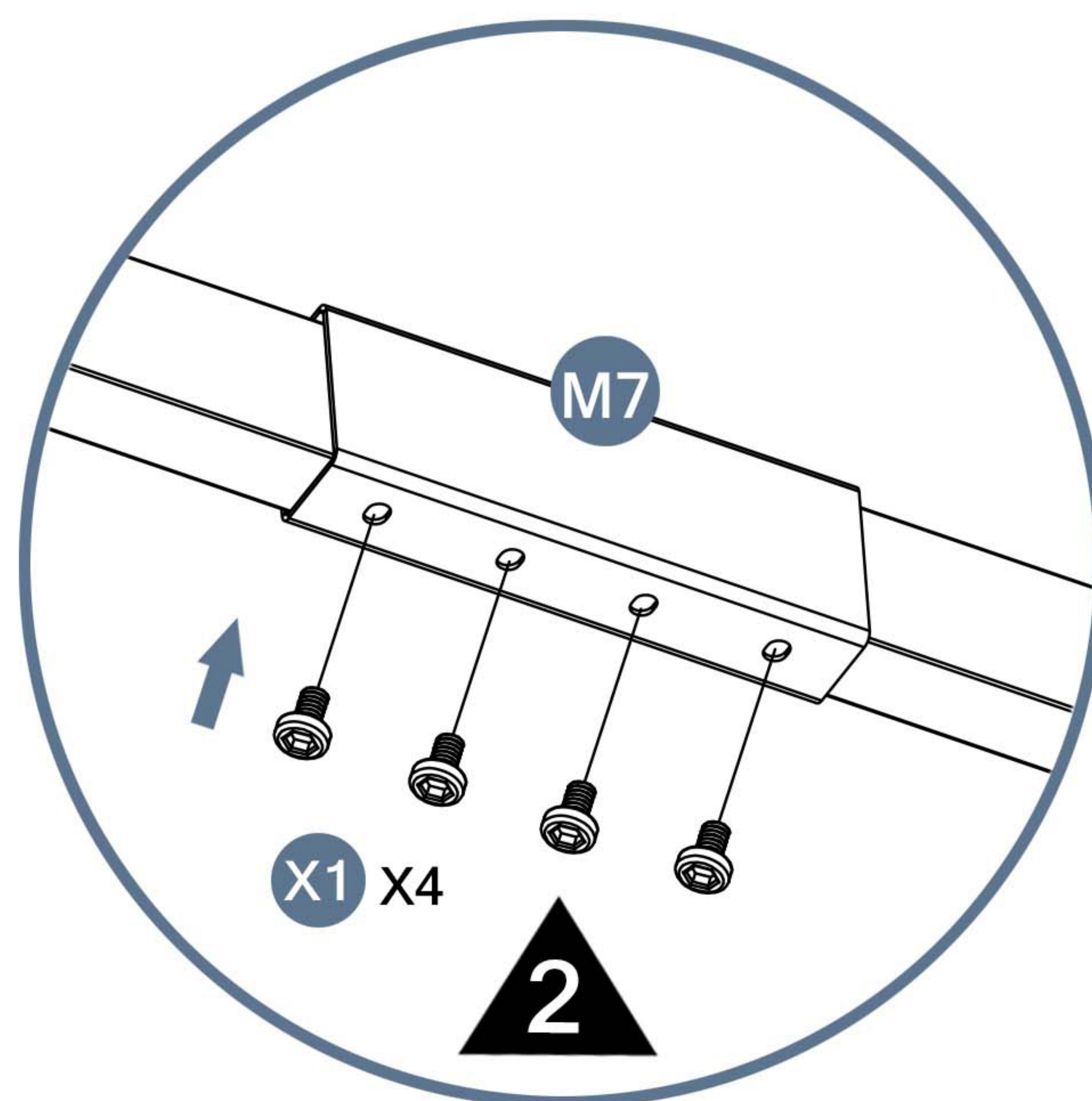
Parts required



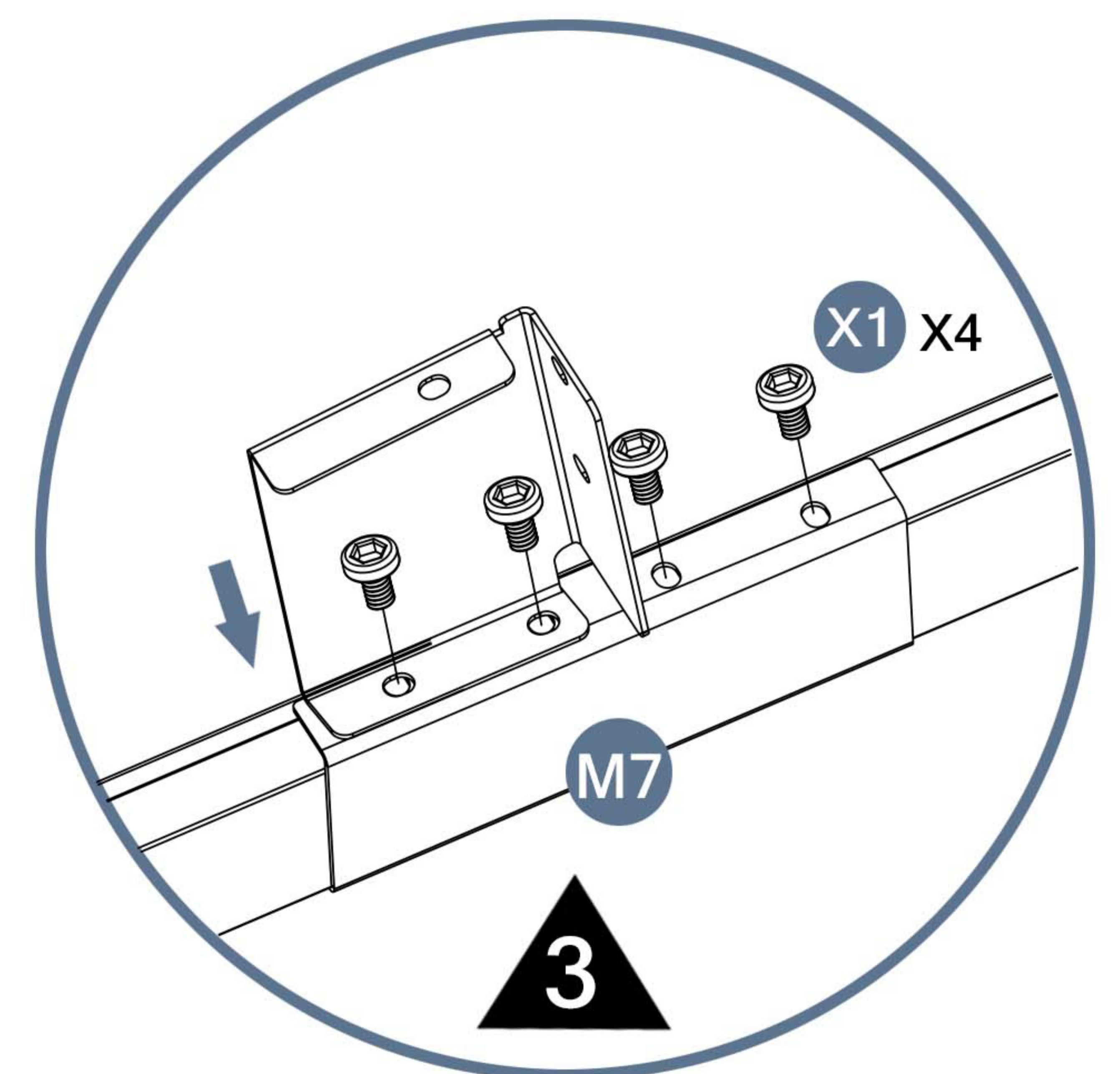
- ⚠ Note the orientation of R1 and R2
- ⦿ Please note the orientation of the hole.



M7 Open your mouth to the outside



From the bottom up



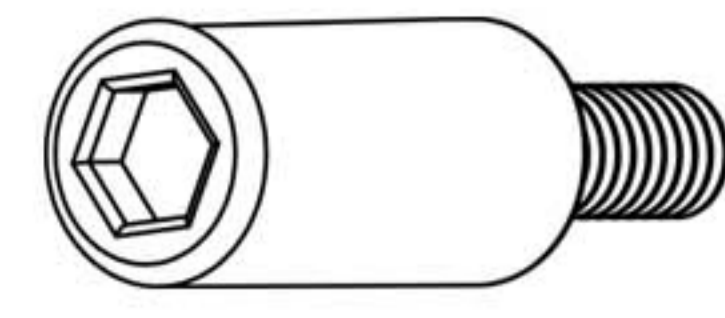
From top to bottom

Please take care of the screws and contact the after-sales service if there is any problem with the installation or parts.

➔ ✉ E-mail: cs.helper01@gmail.com

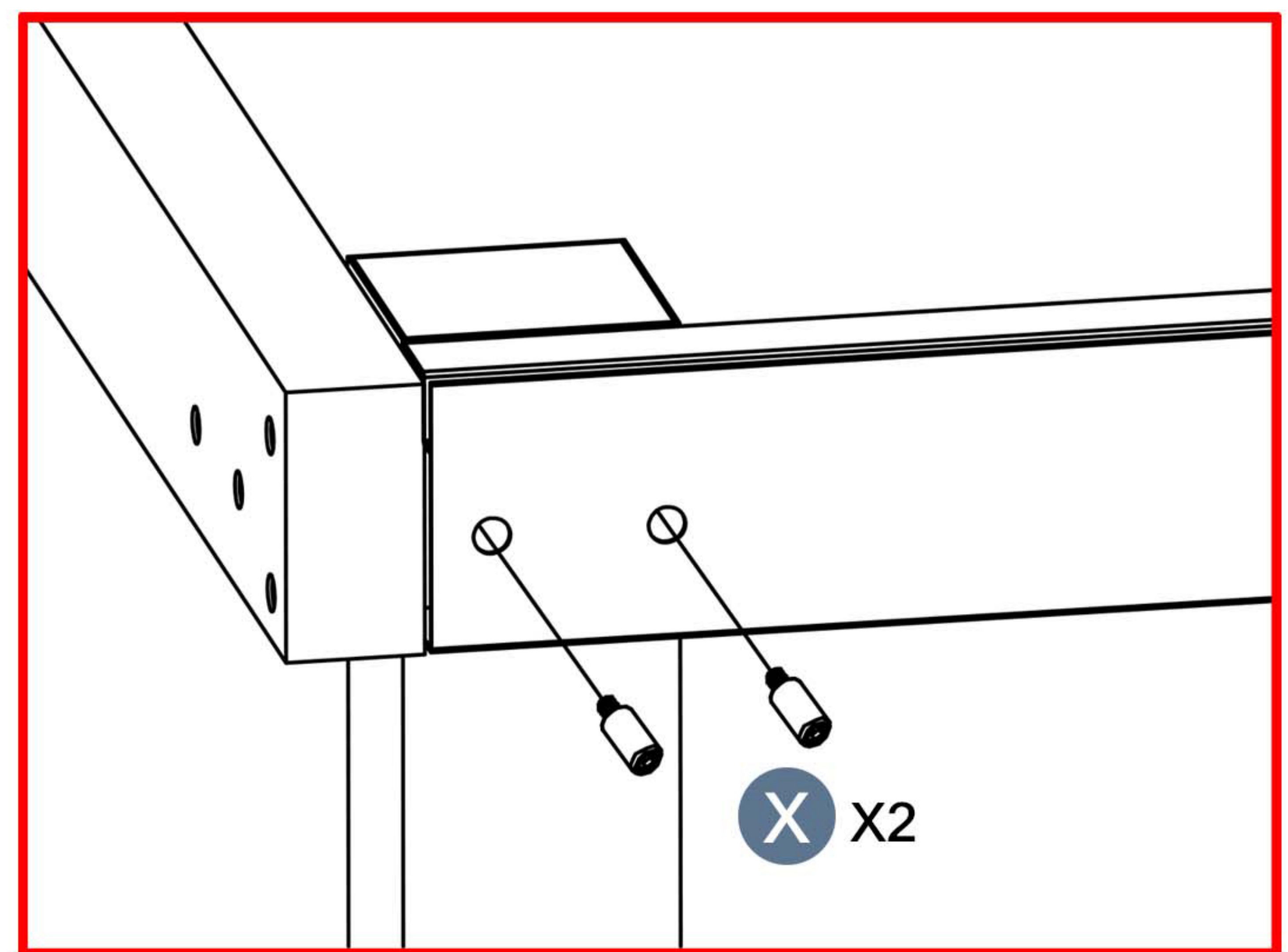
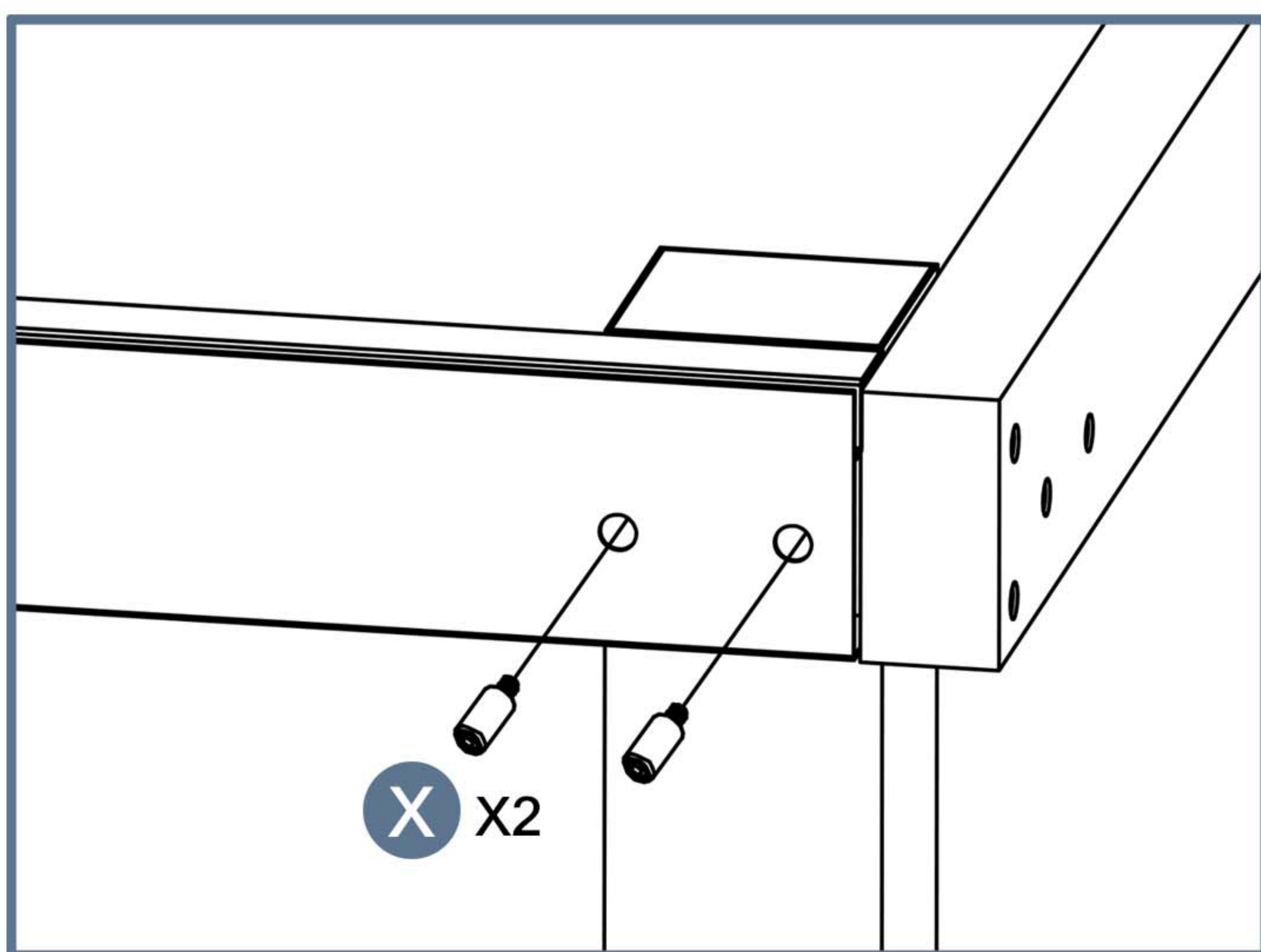
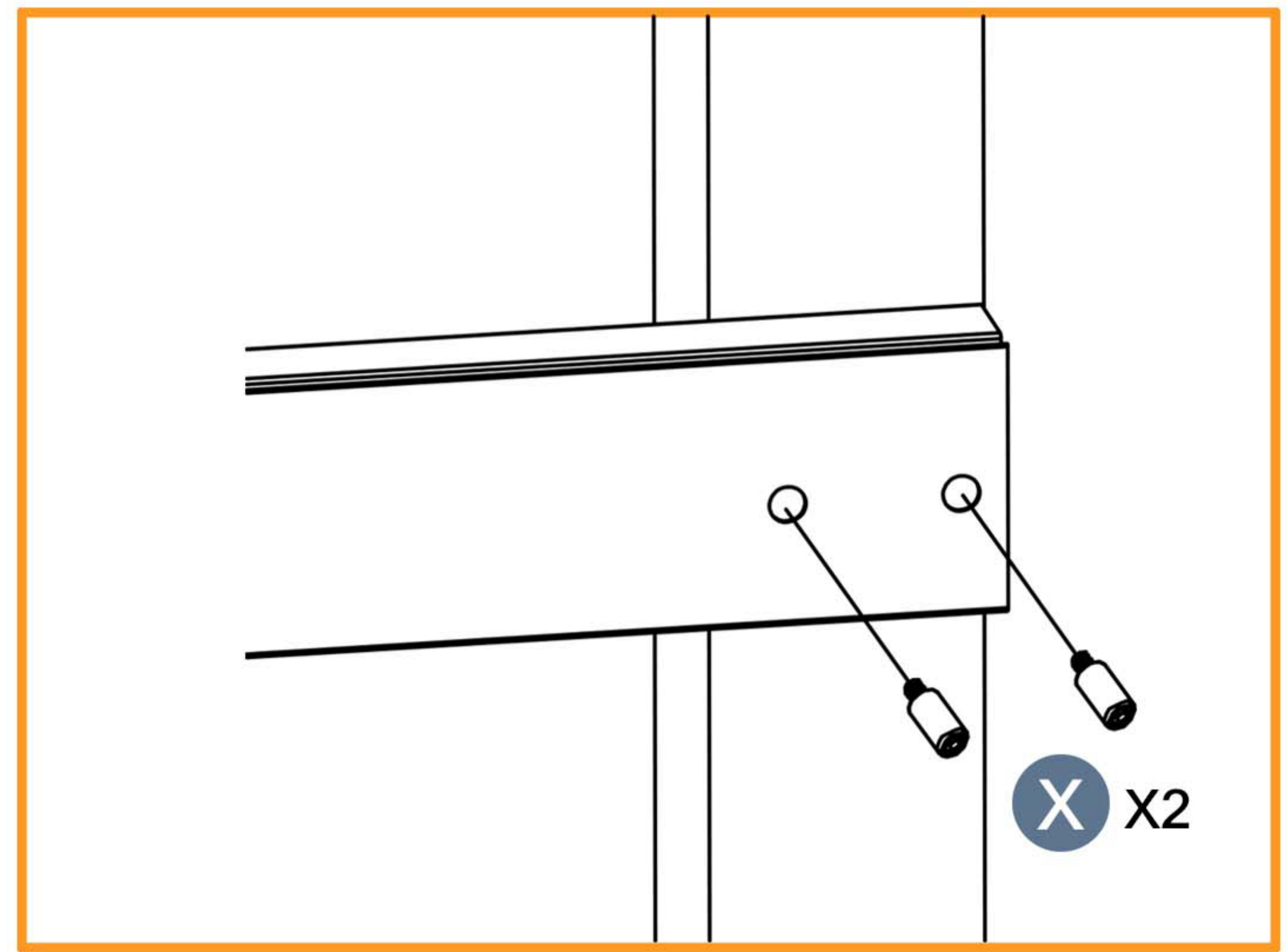
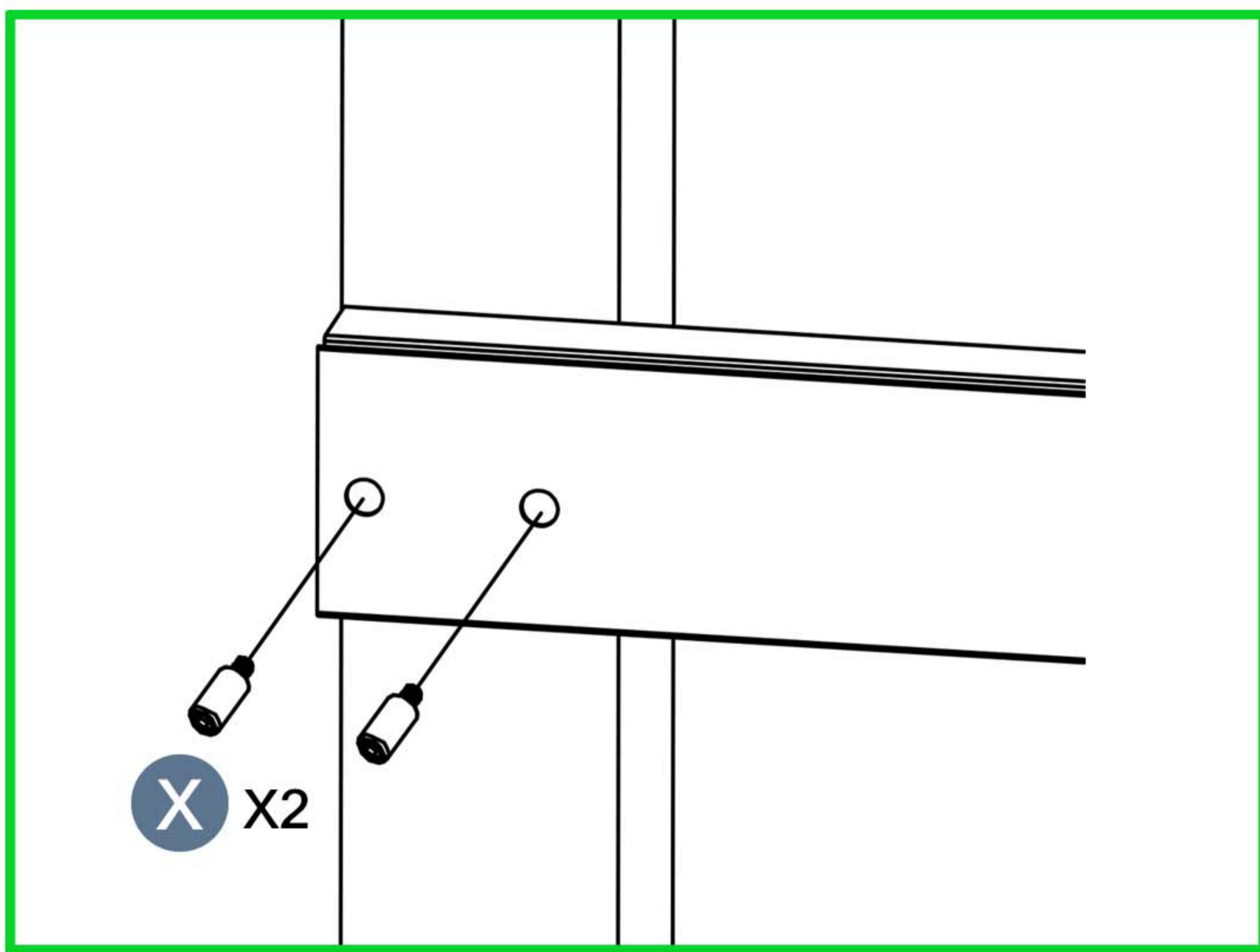
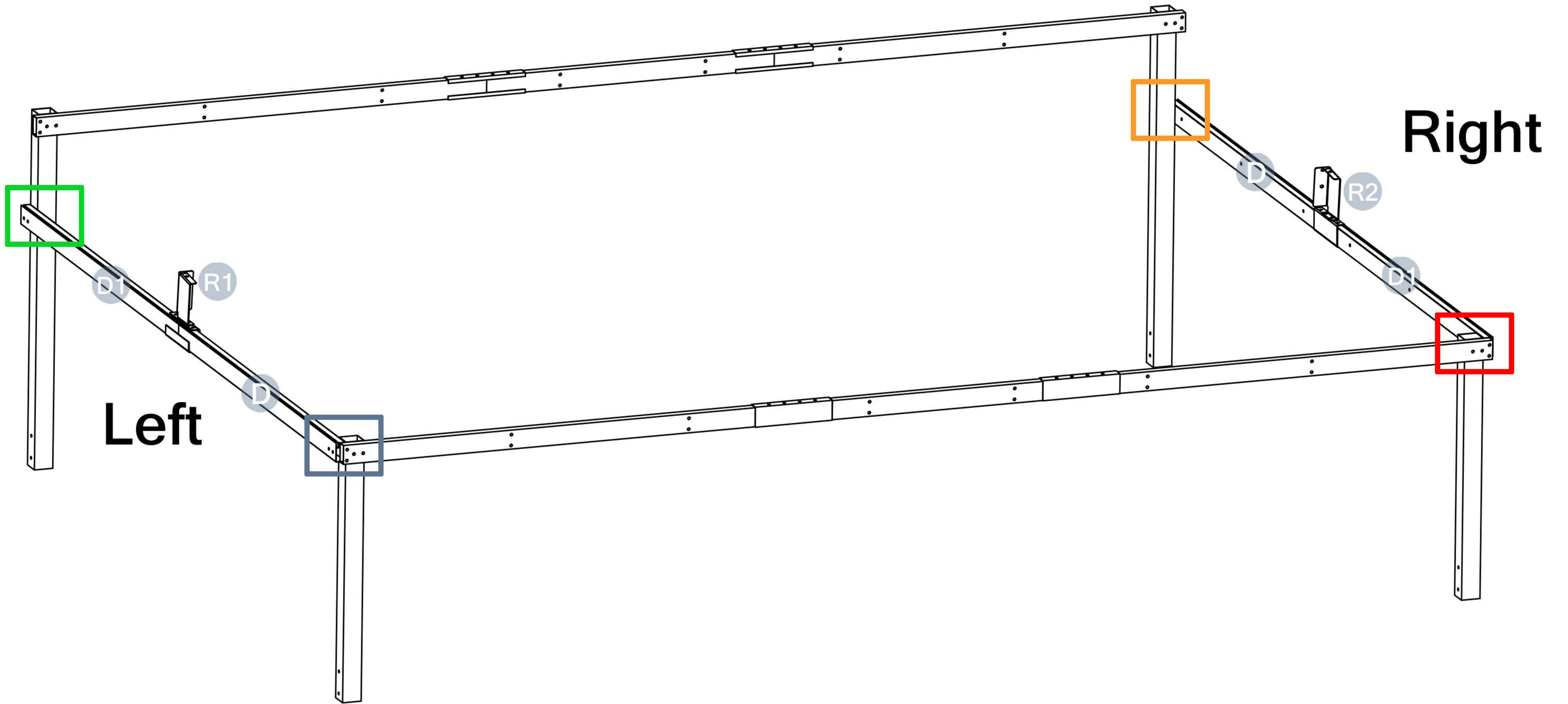
STEP 4

Parts required



X

8pcs



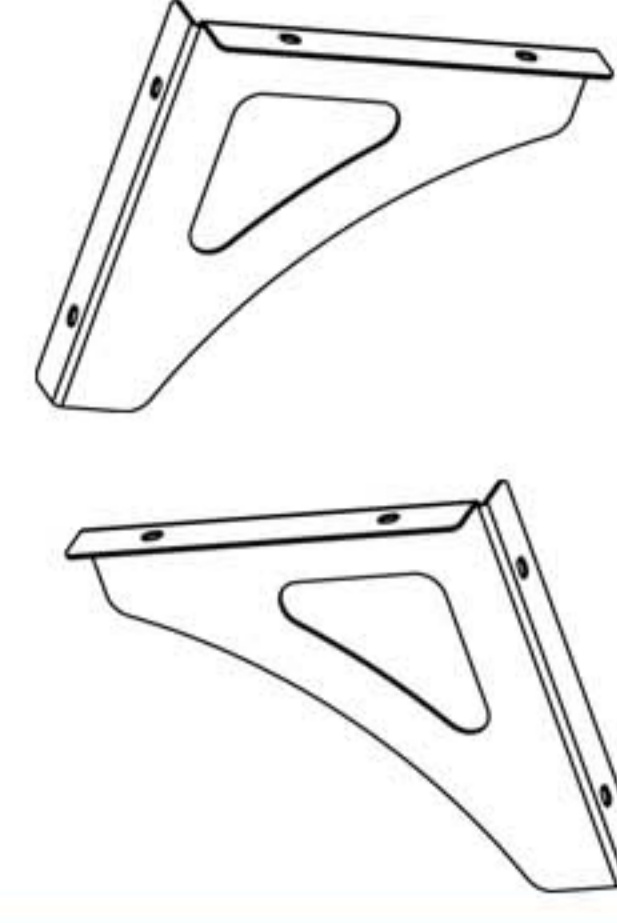
Please take care of the screws and contact the after-sales service if there is any problem with the installation or parts.



E-mail: cs.helper01@gmail.com

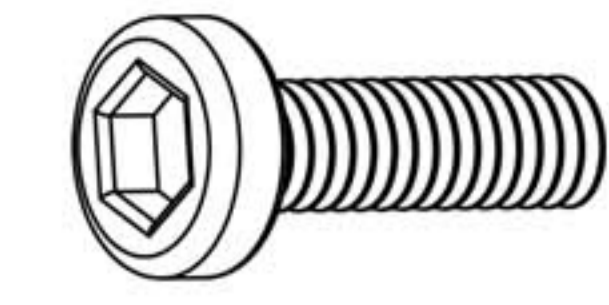
STEP 5

Parts required

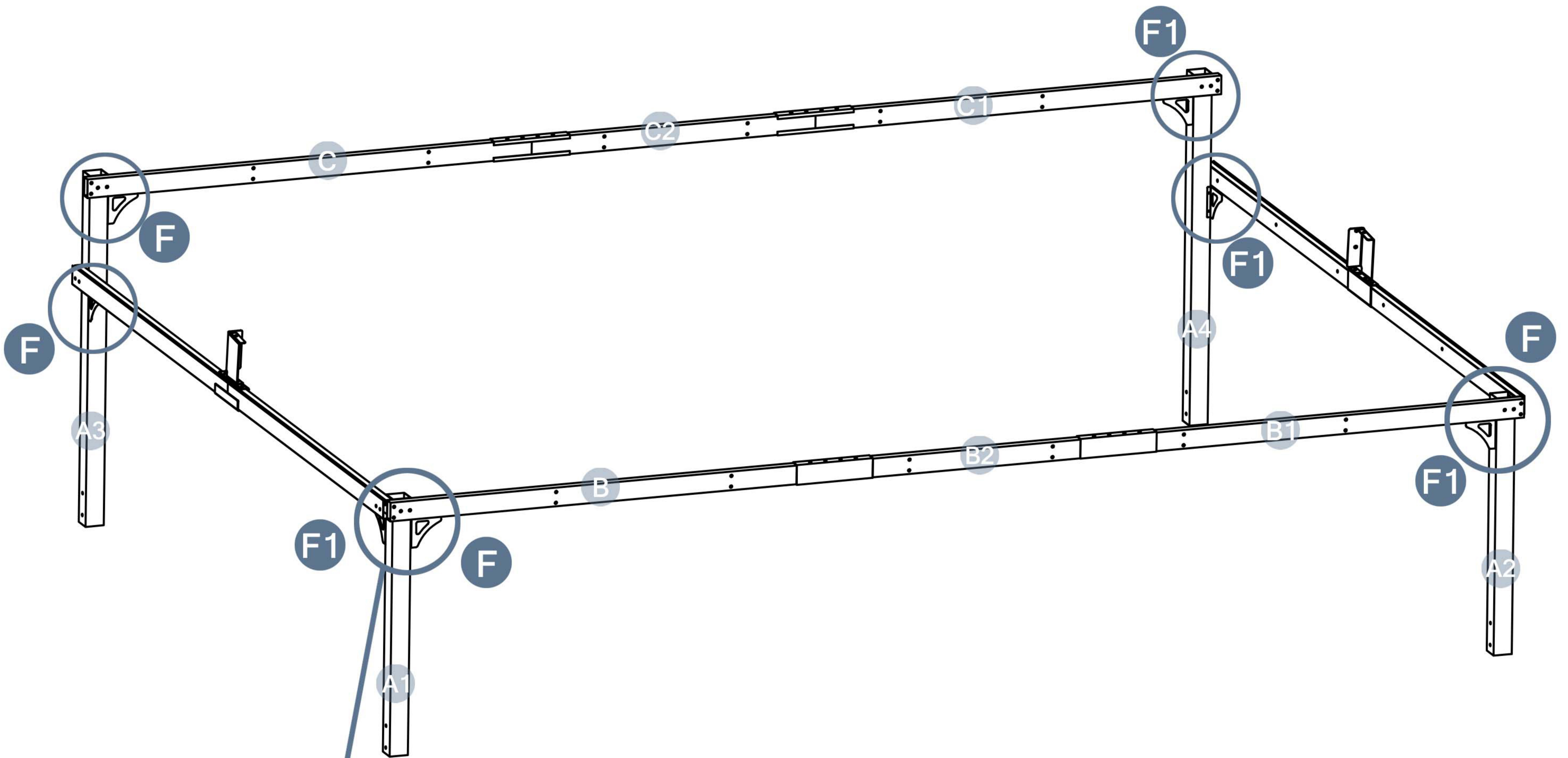


F 4pcs

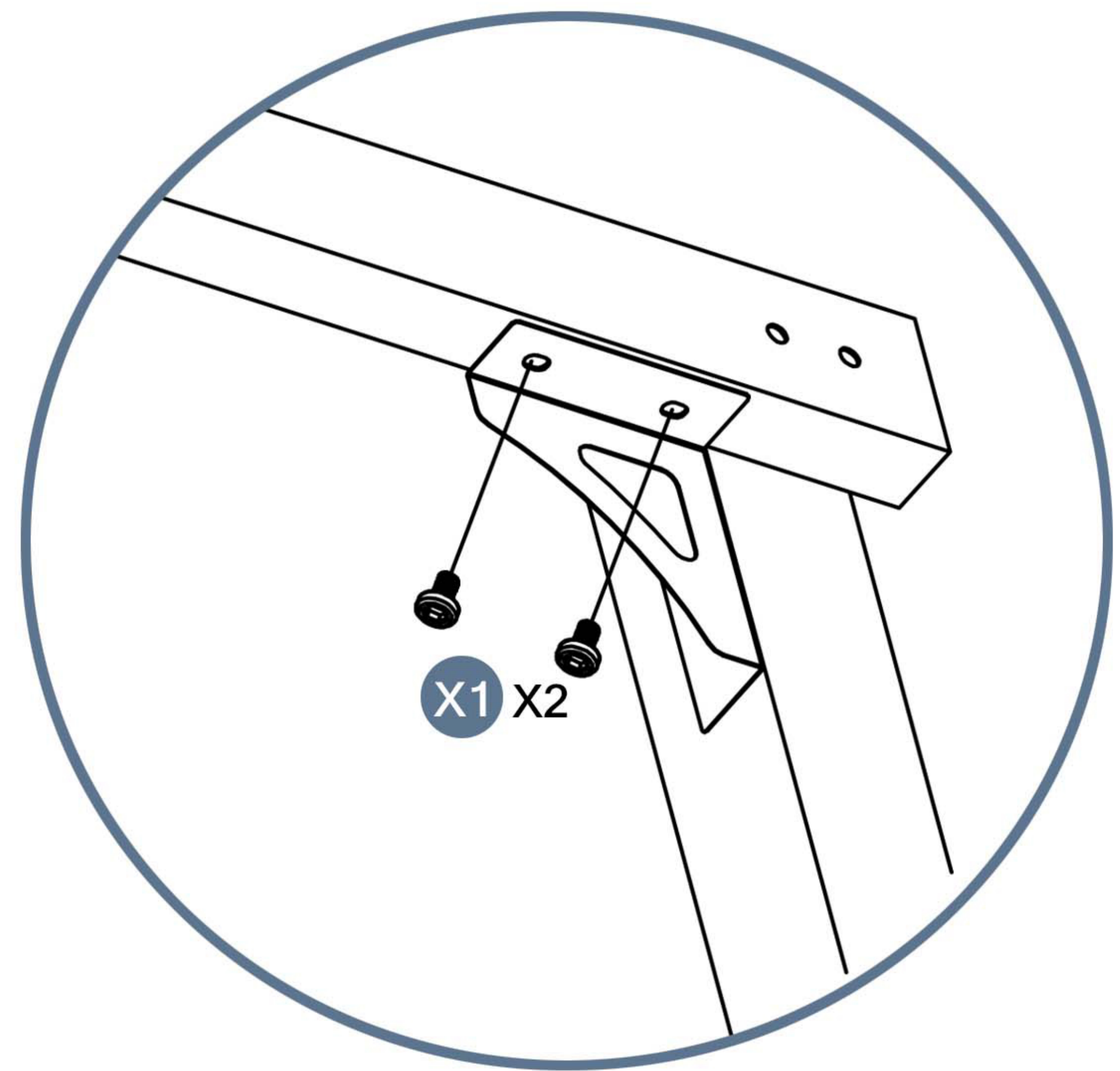
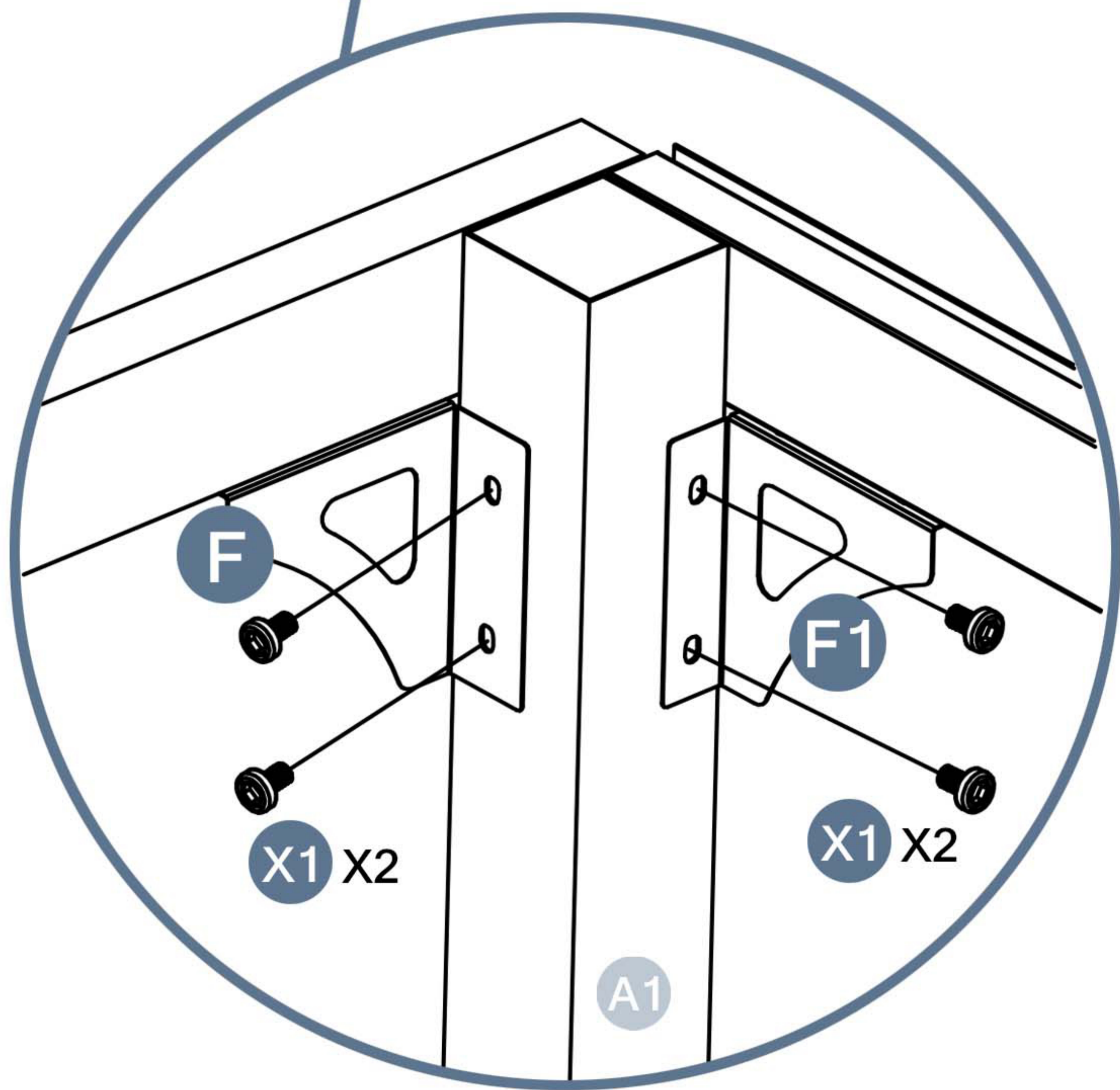
F1 4pcs



X1 32pcs



⚠ Pay attention to the direction of F and F1

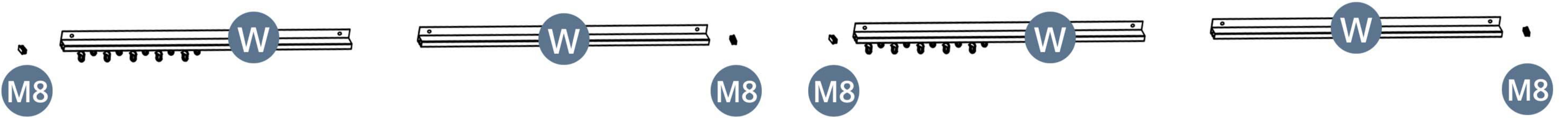
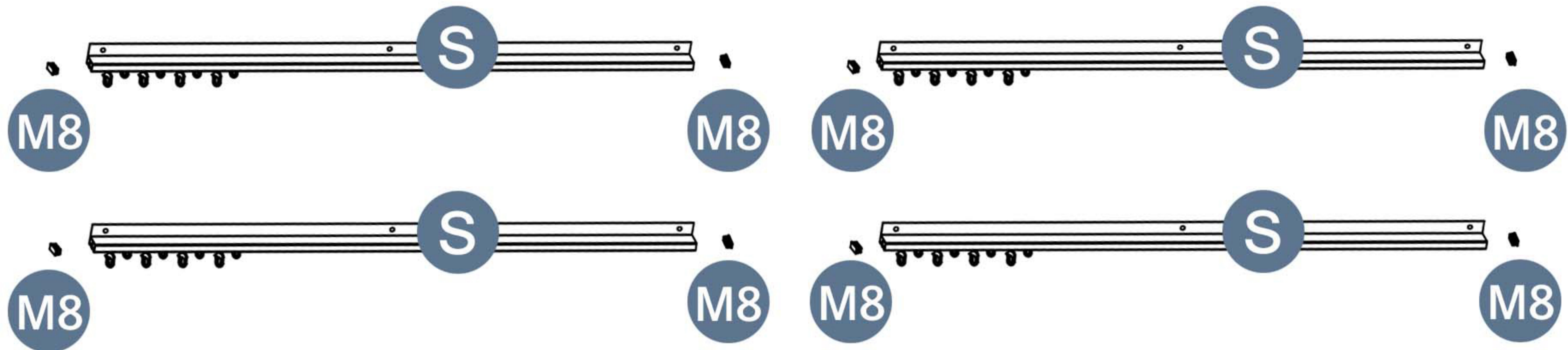
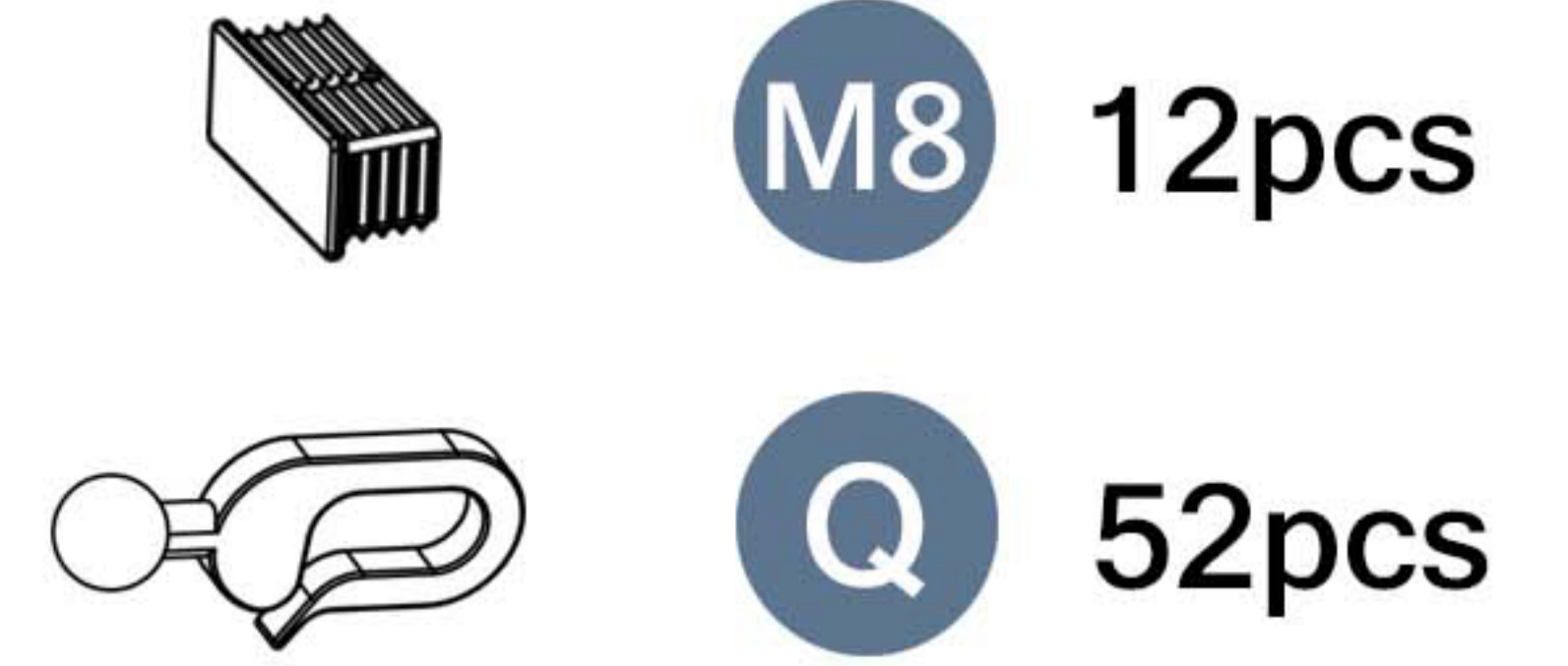
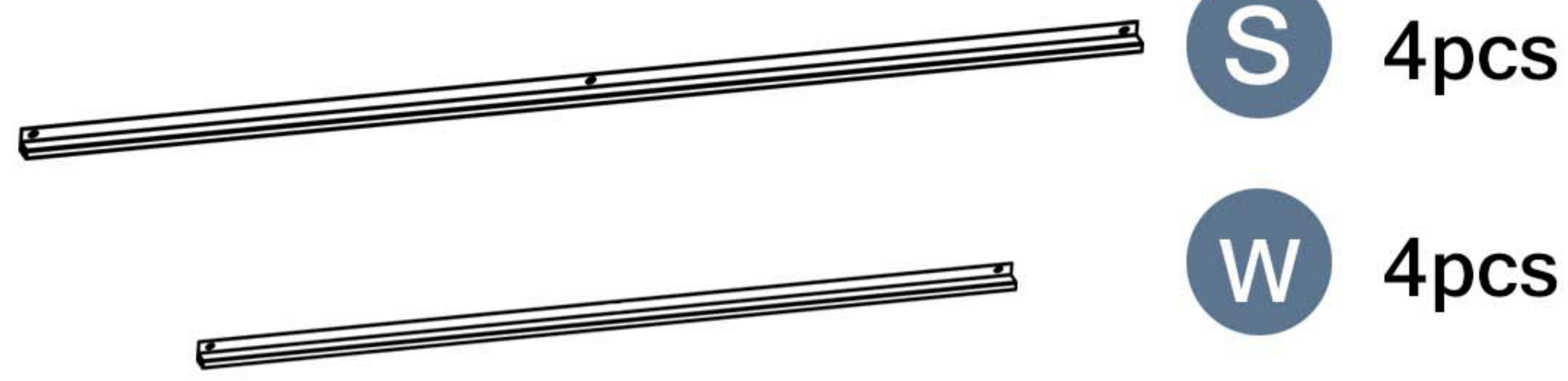


Please take care of the screws and contact the after-sales service if there is any problem with the installation or parts.

➔ ✉ E-mail: cs.helper01@gmail.com

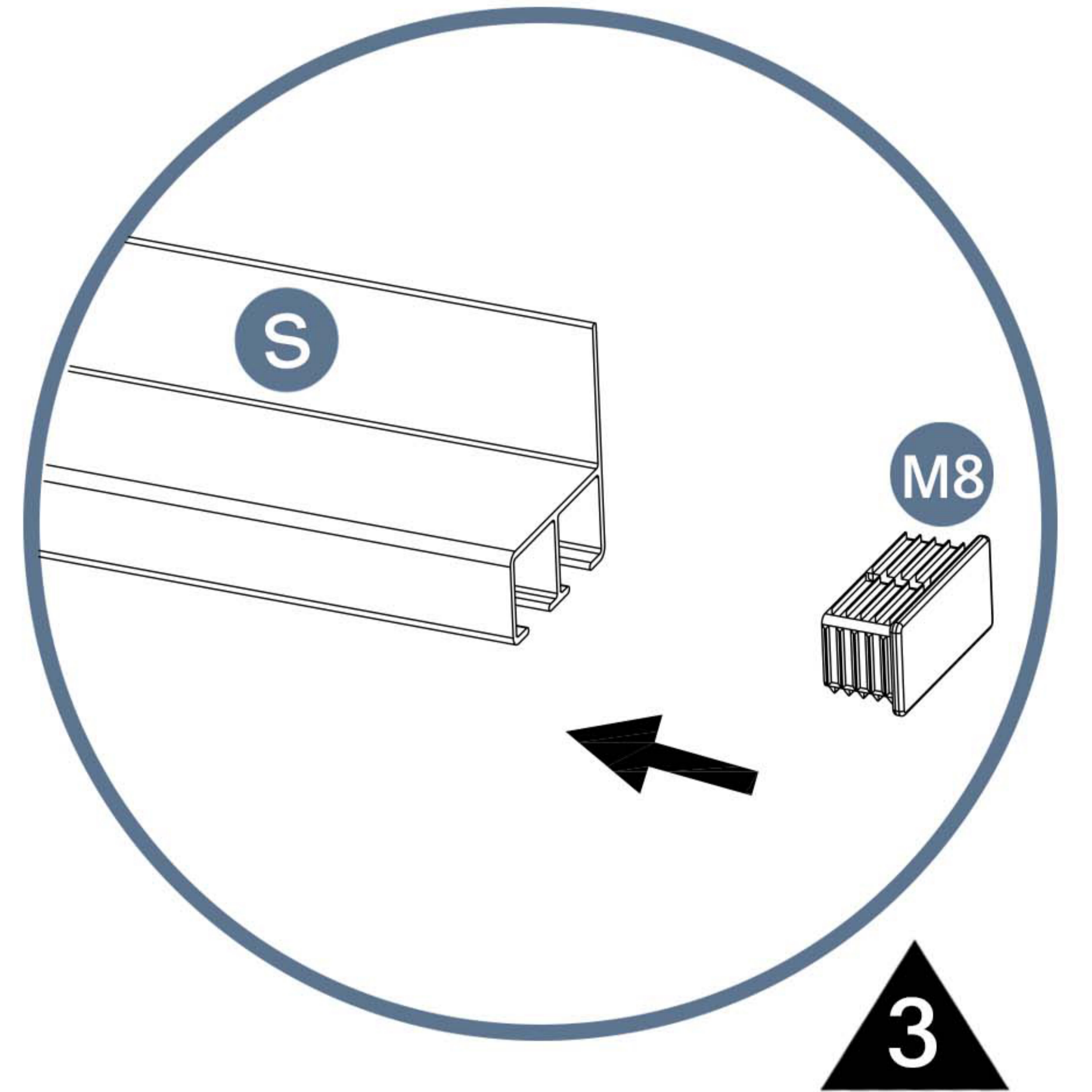
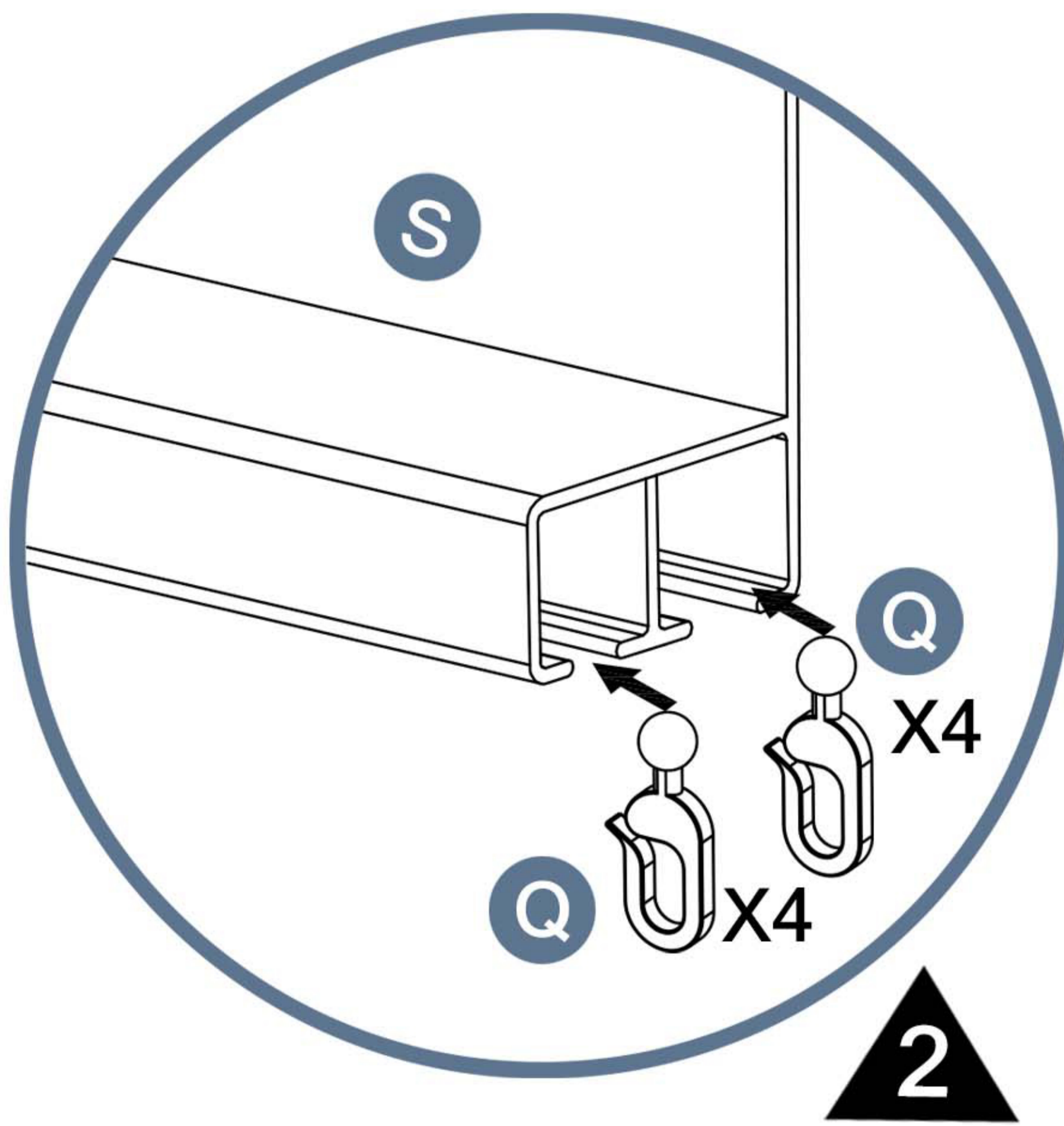
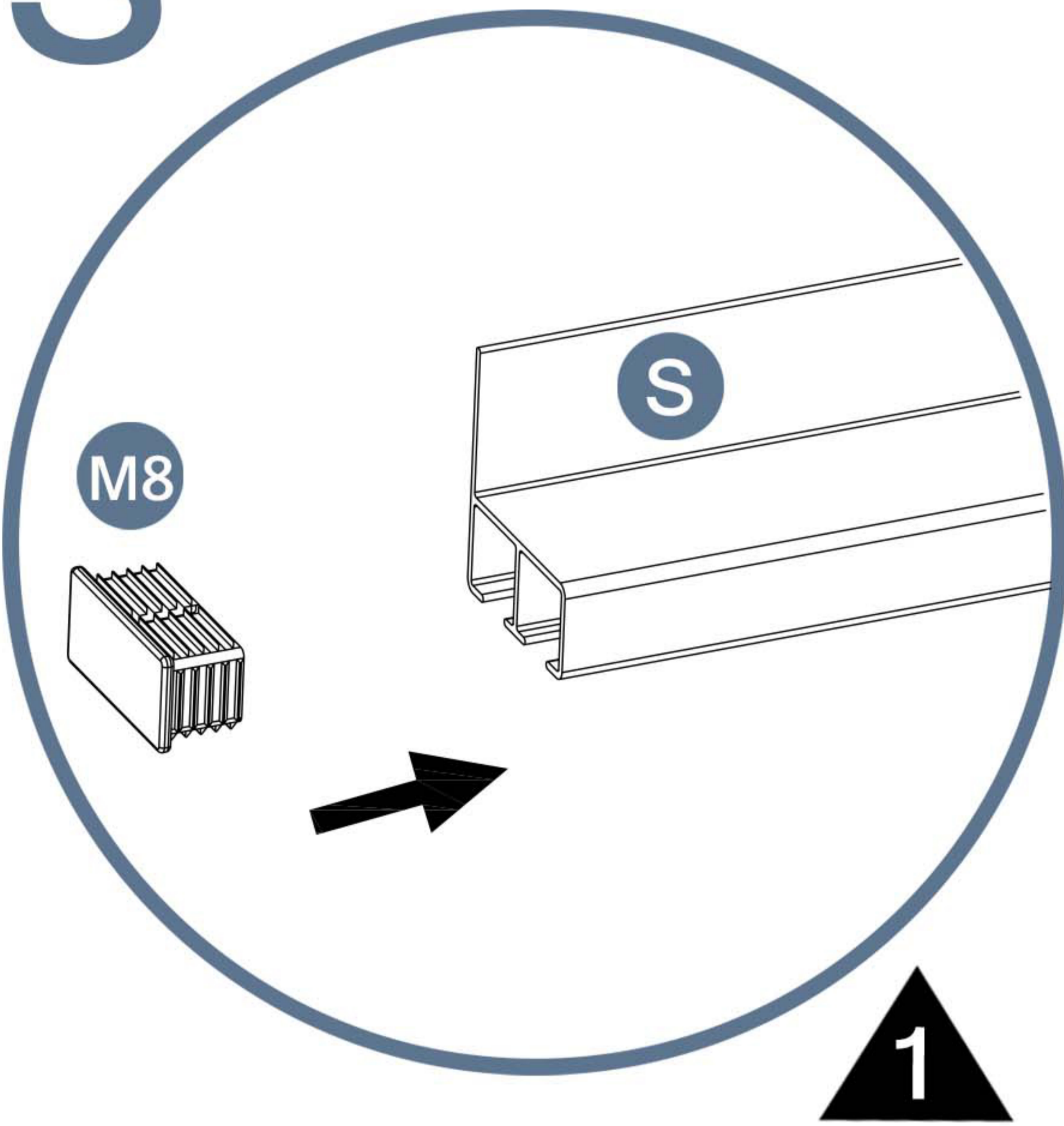
STEP 6

Parts required

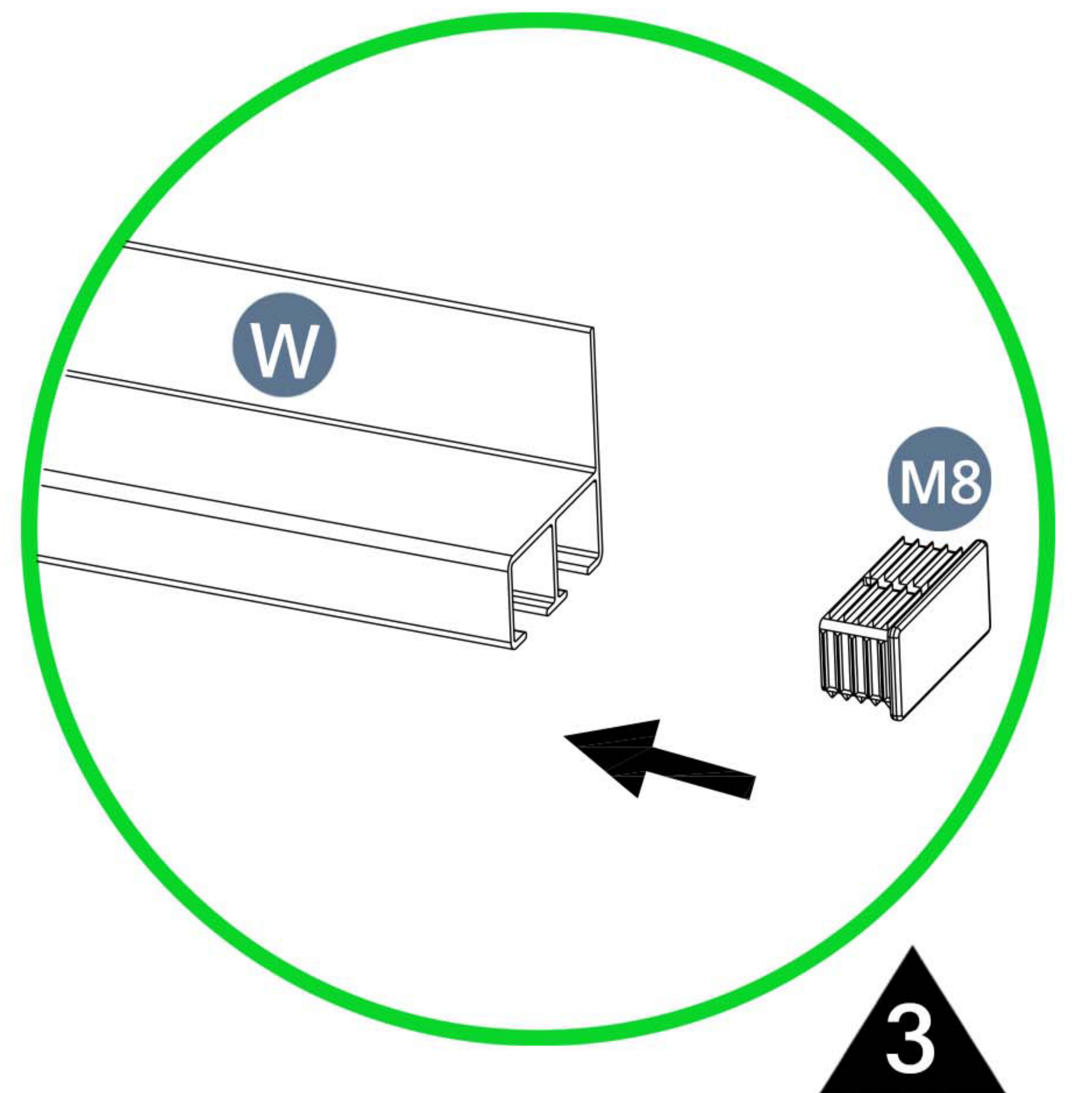
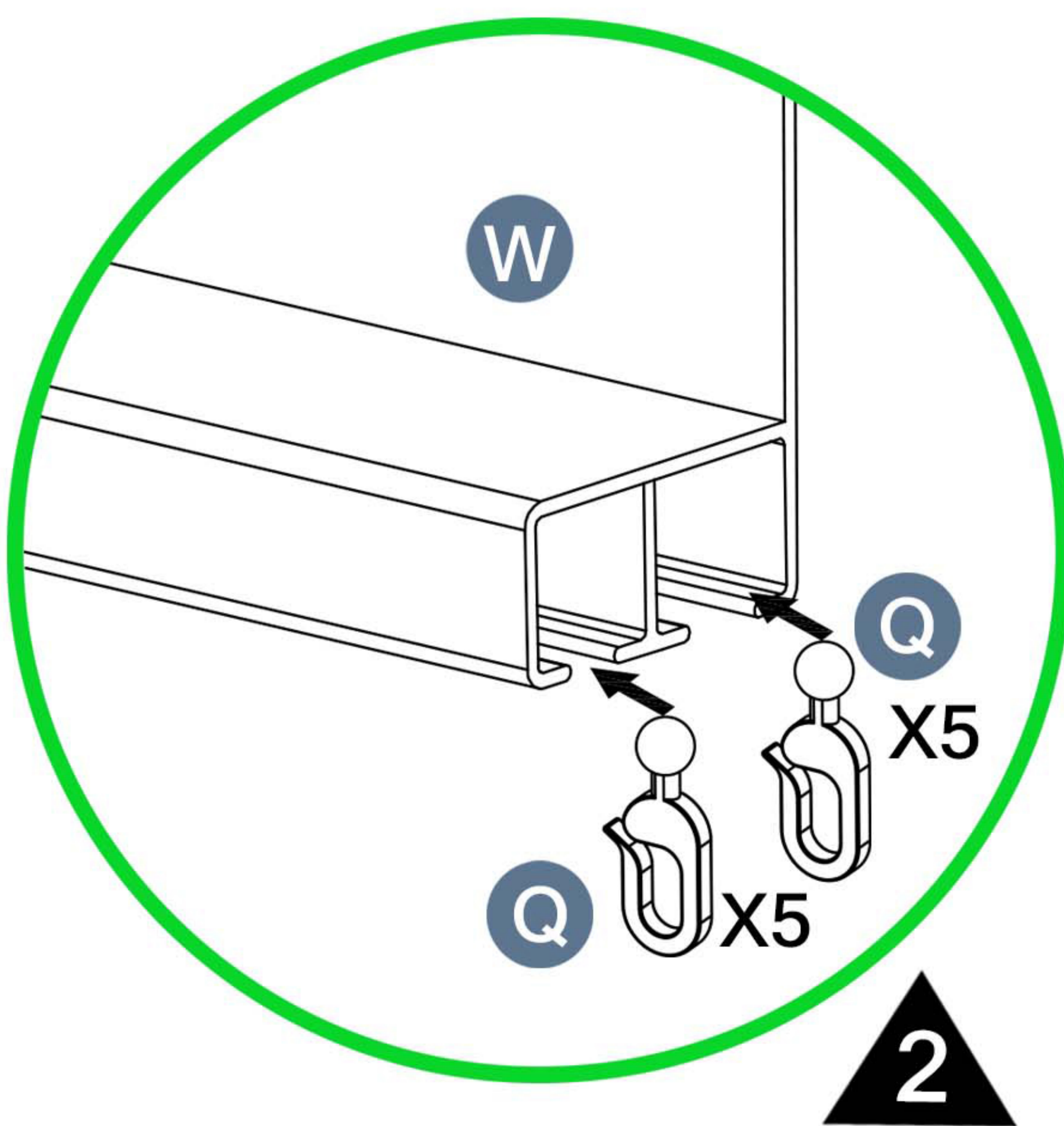
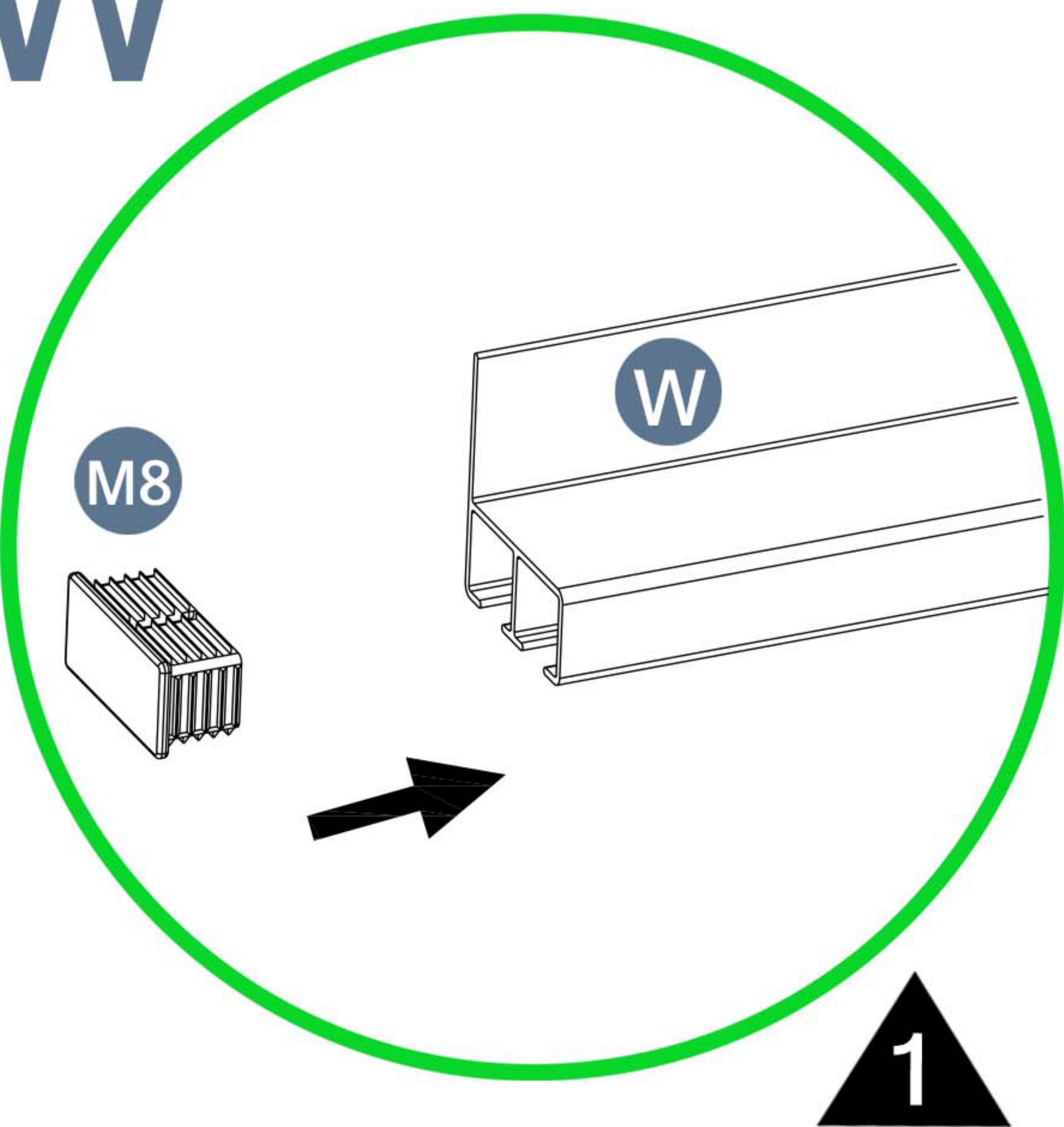


Please refer to this arrangement method.

S



W

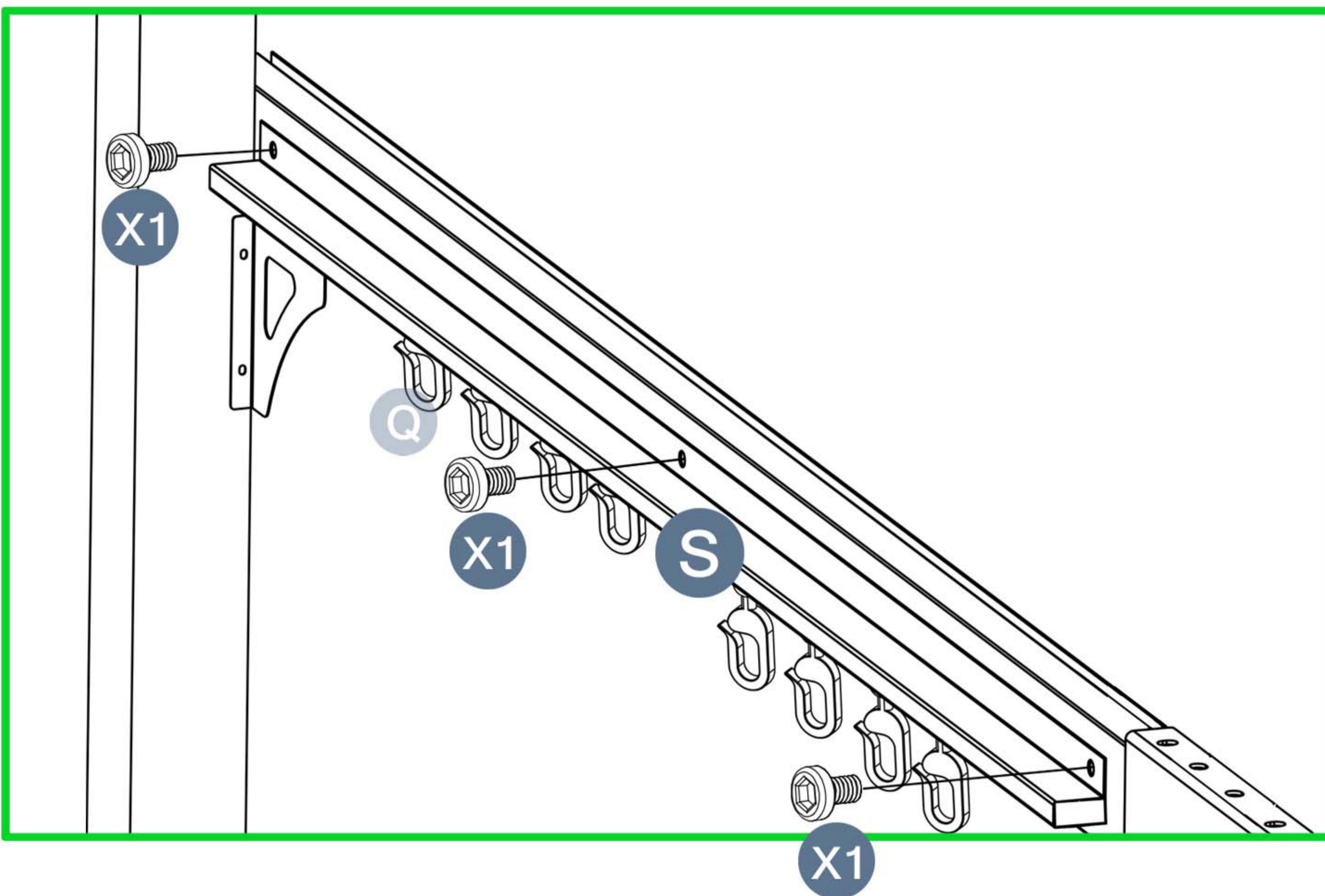
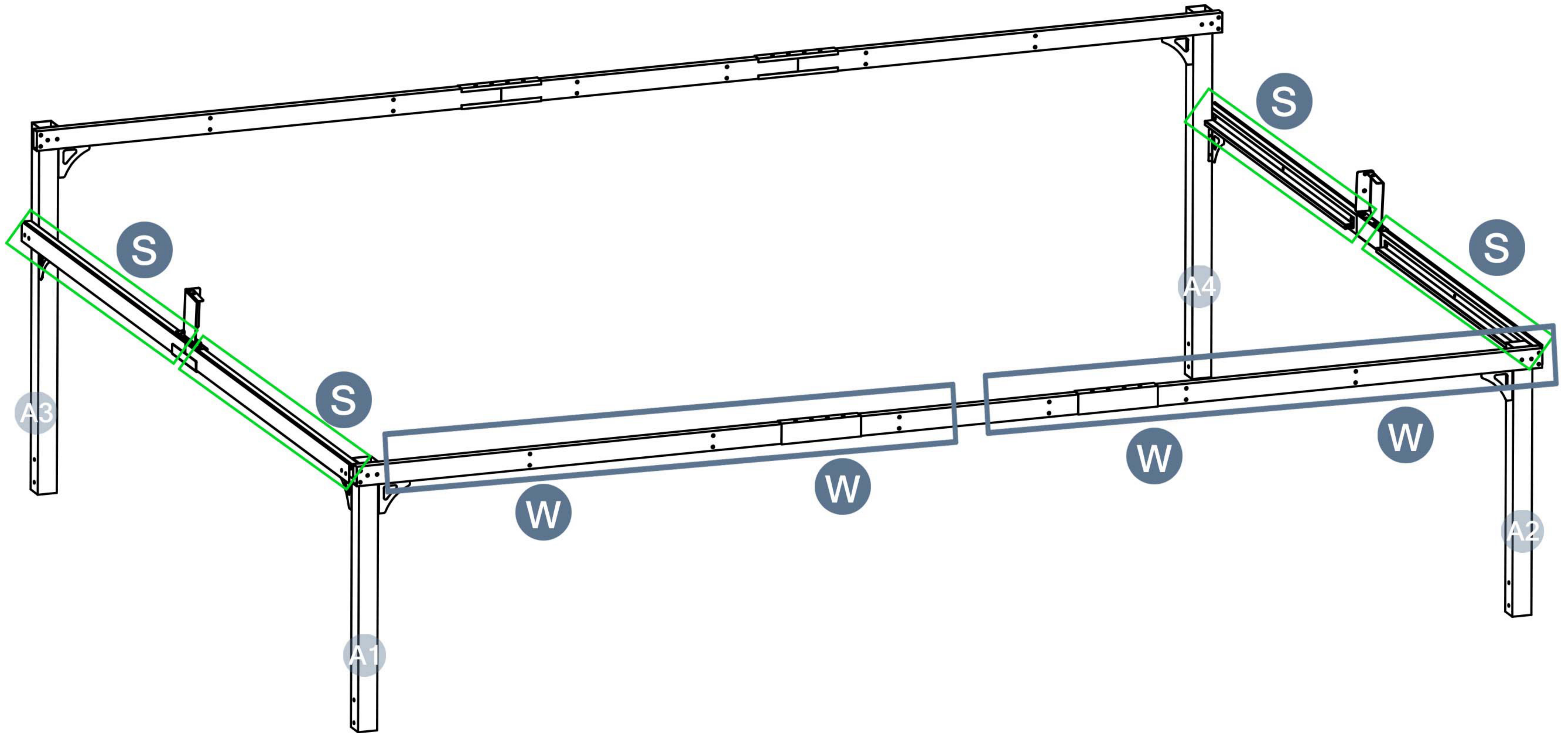
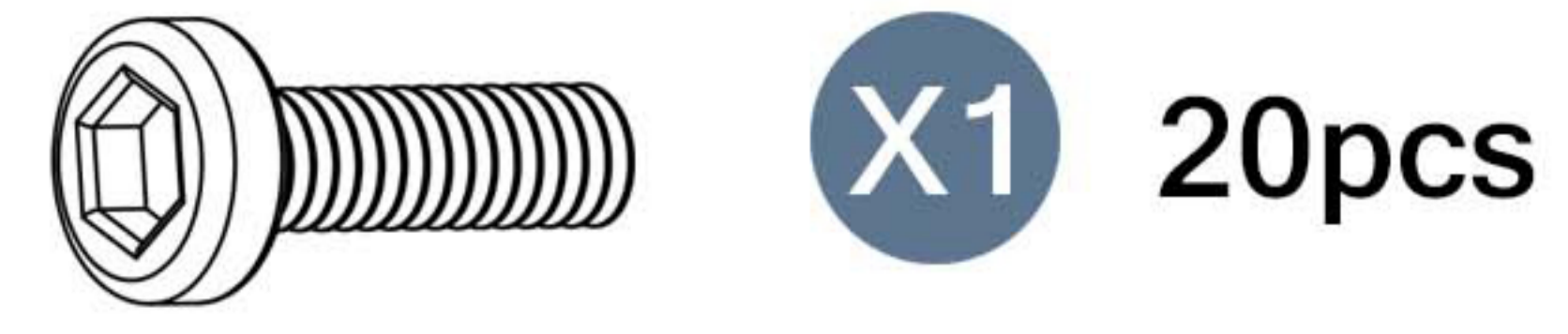



Please take care of the screws and contact the after-sales service if there is any problem with the installation or parts.

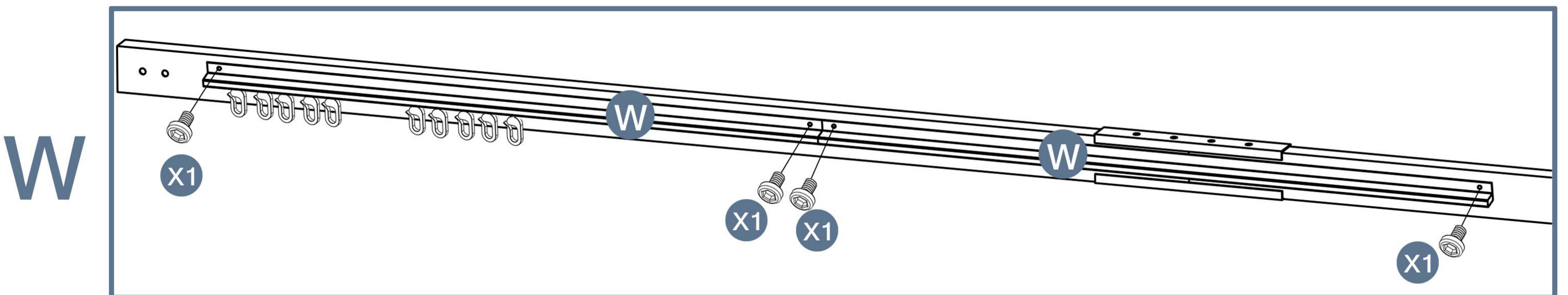
E-mail: cs.helper01@gmail.com

STEP 7

Parts required



The reference is shown in the picture.
 The same installation method, install the **S** and **W** tubes on the bracket.



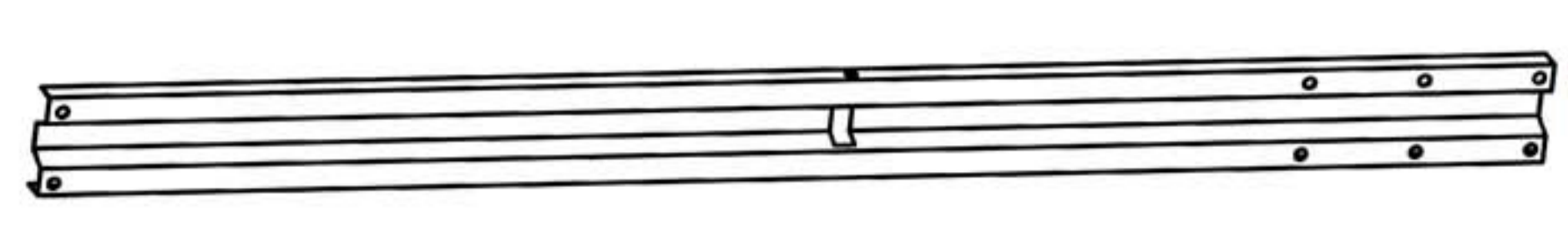
Please take care of the screws and contact the after-sales service if there is any problem with the installation or parts.

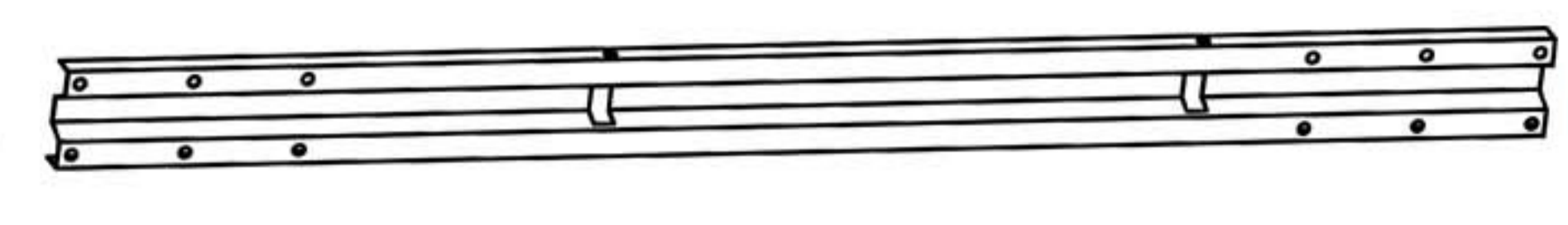
  E-mail: cs.helper01@gmail.com


STEP 8

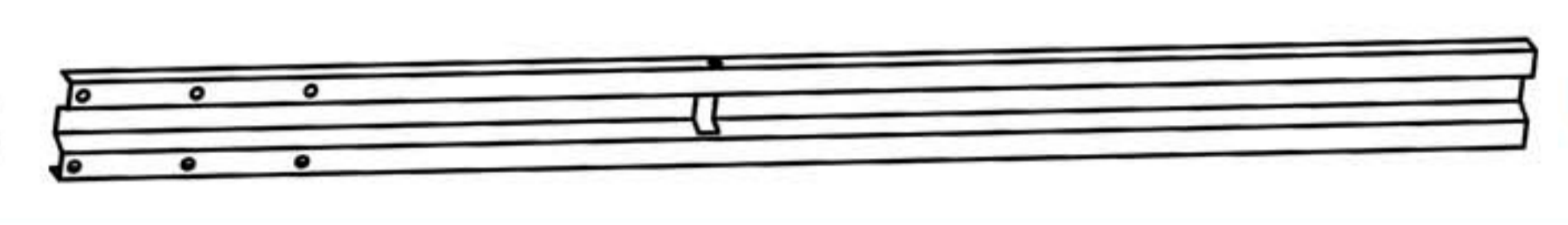
Parts required

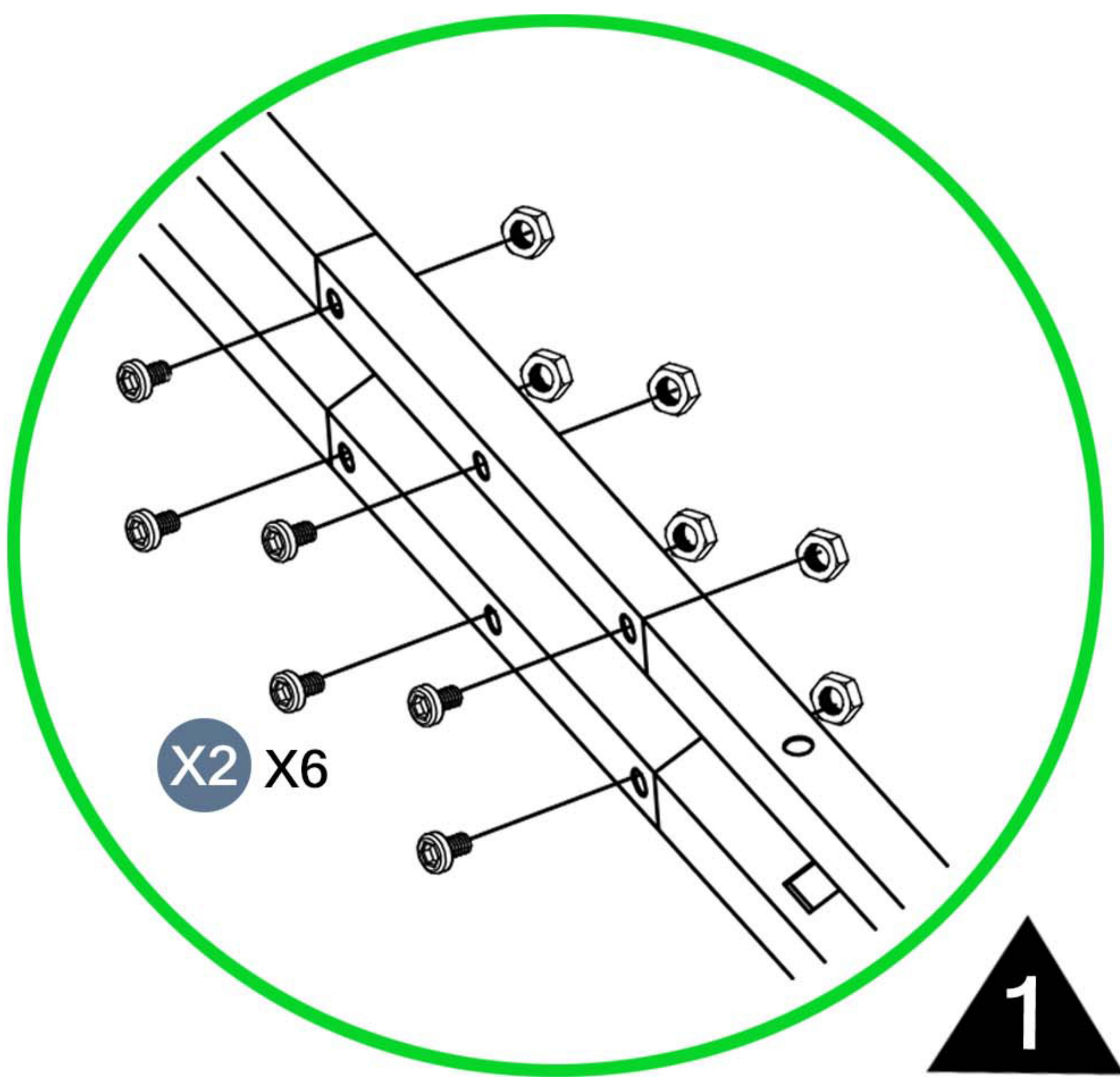
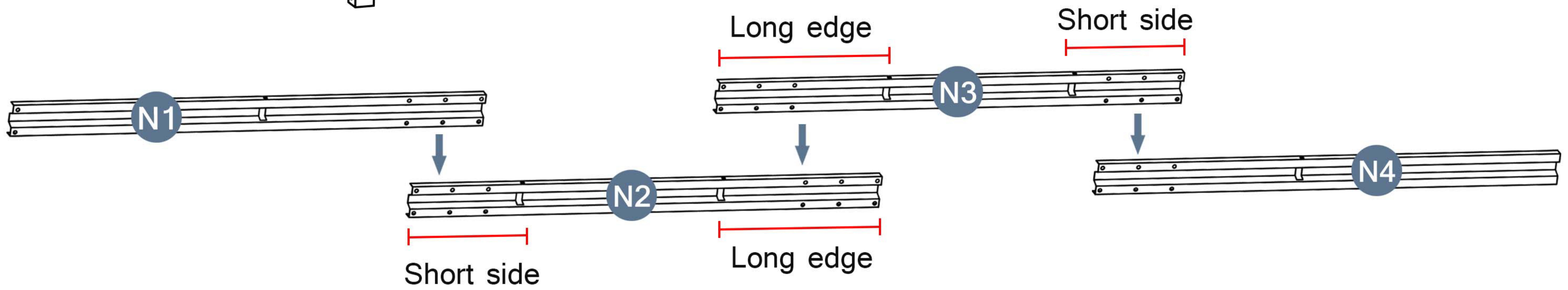
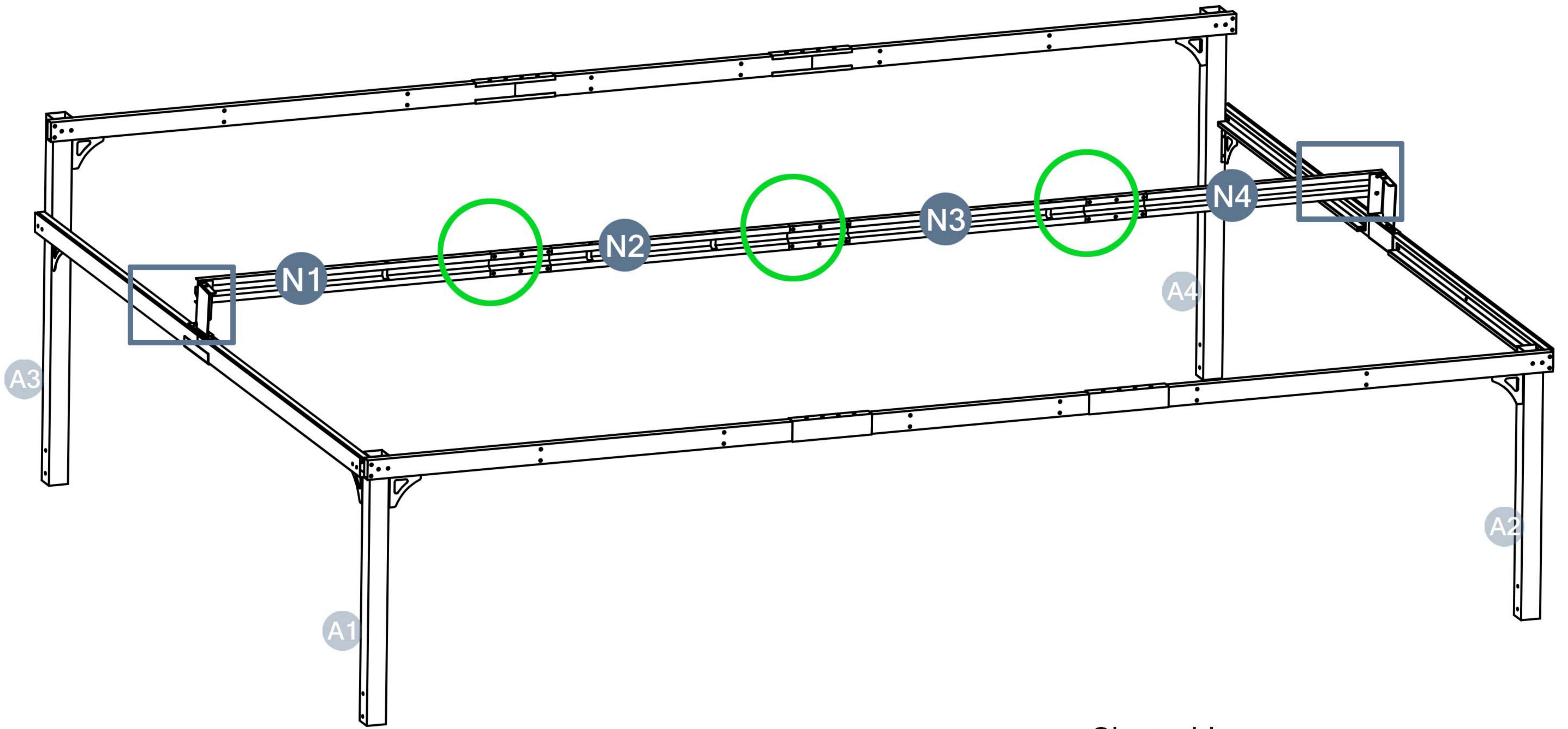
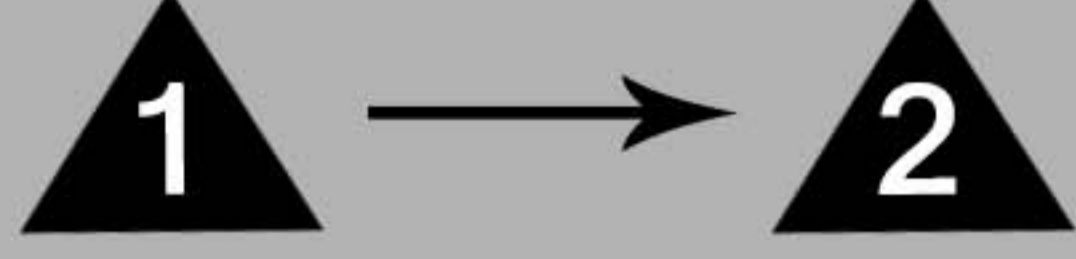
 X2 22pcs

 N1 1pcs

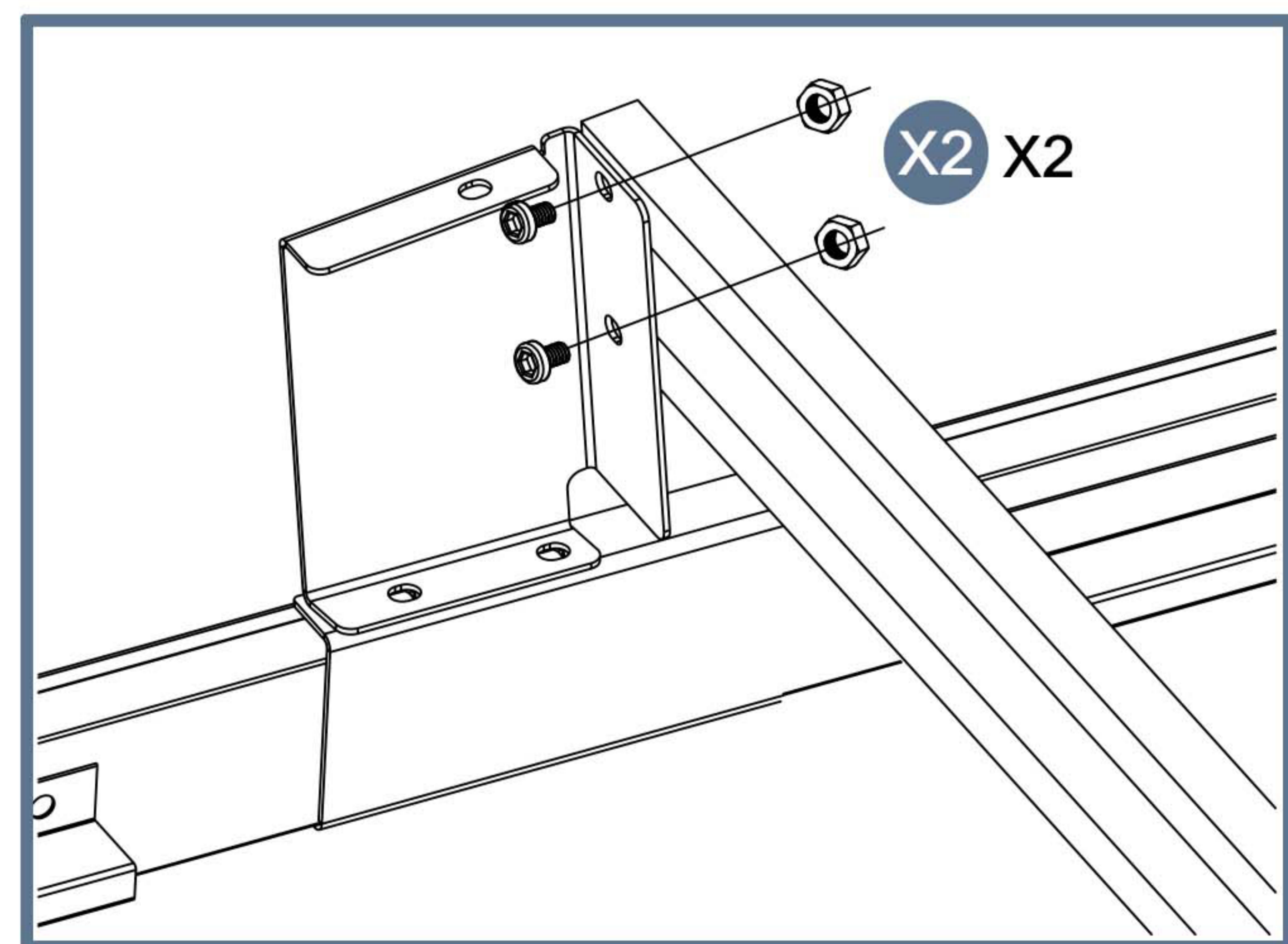
 N3 1pcs

 N2 1pcs

 N4 1pcs



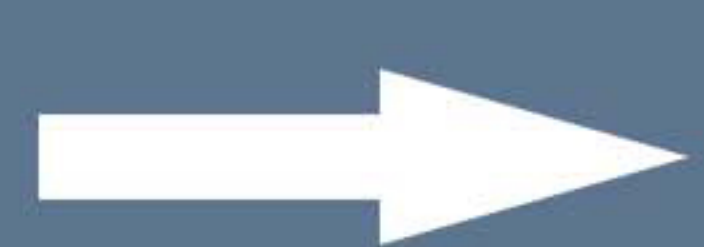
1



2

Assemble N1/N2/N3/N4 first.

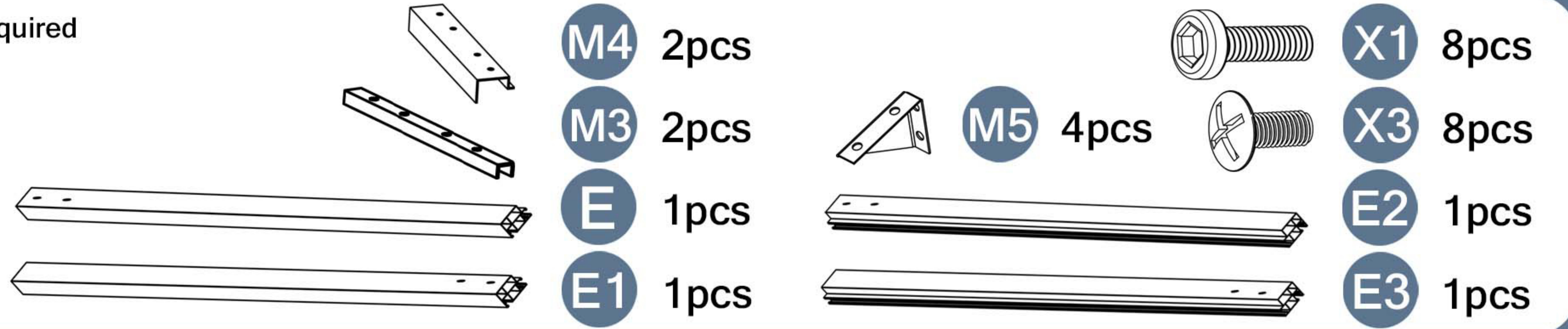
Please take care of the screws and contact the after-sales service if there is any problem with the installation or parts.



E-mail: cs.helper01@gmail.com

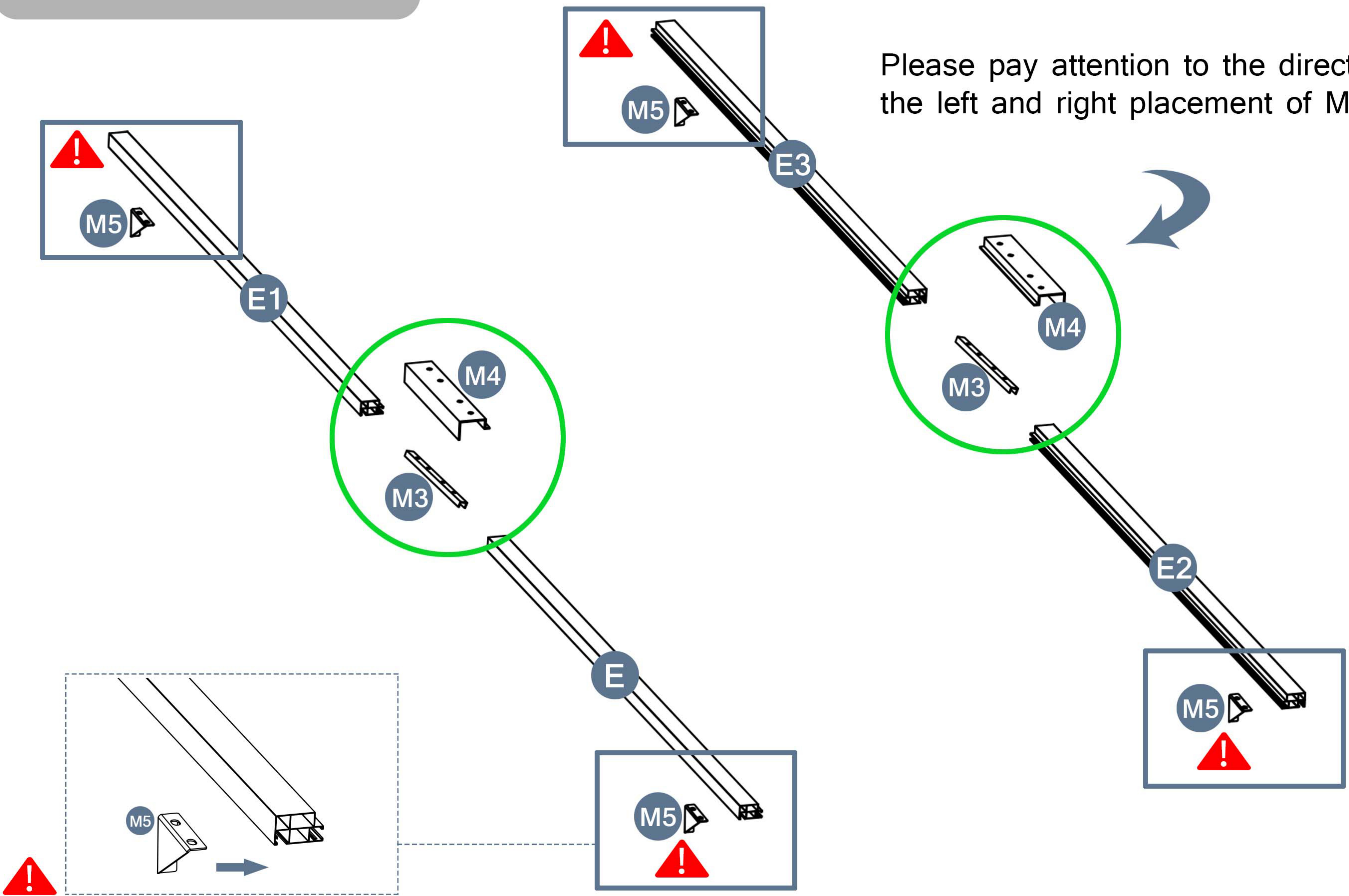
STEP 9

Parts required

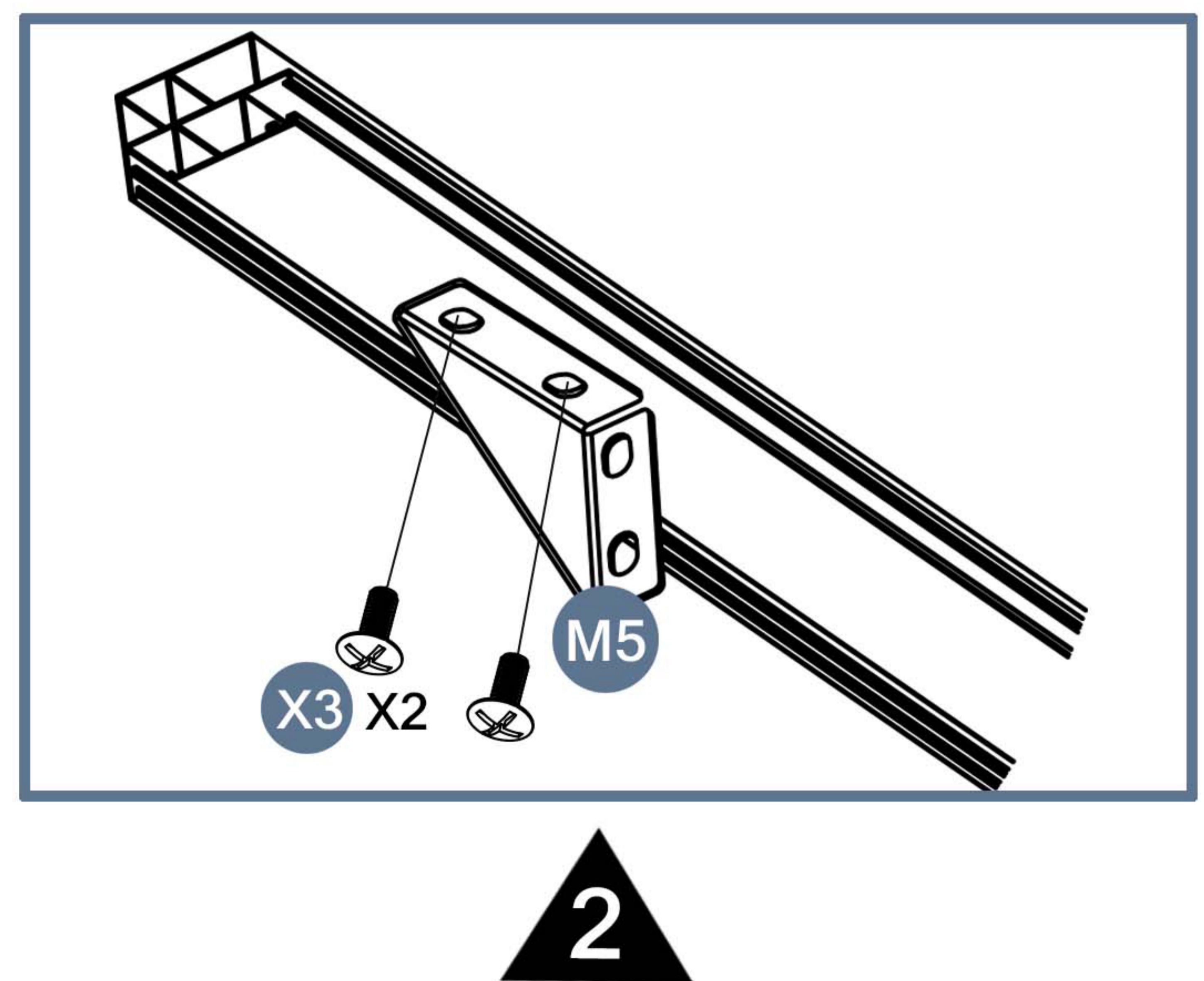
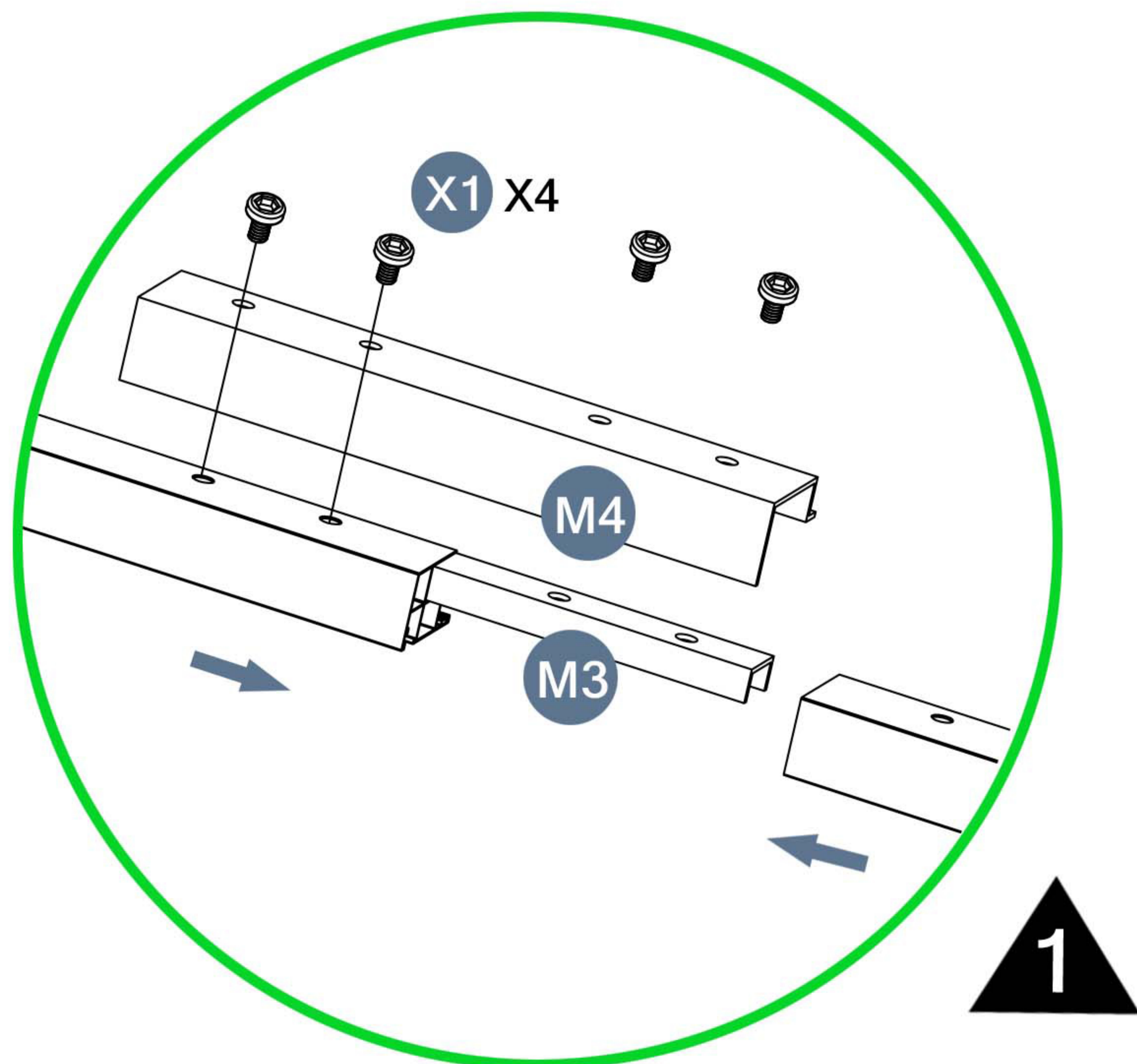


1 → 2

Please pay attention to the direction of the left and right placement of M4.



M5 Unify one direction, to the right

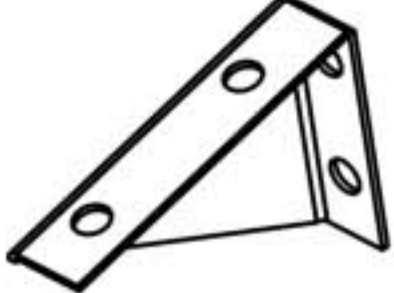
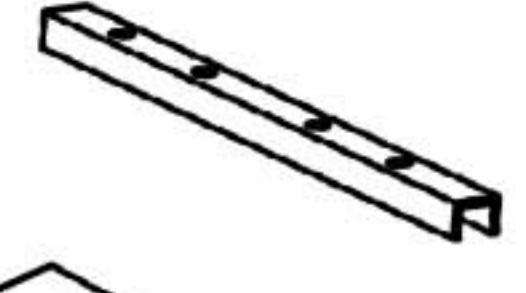
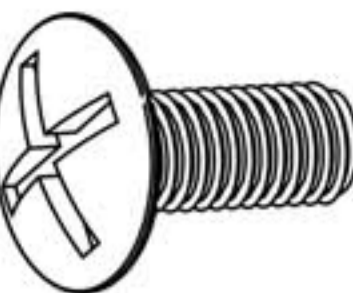


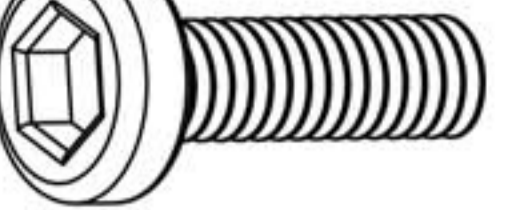




Please take care of the screws and contact the after-sales service if there is any problem with the installation or parts.

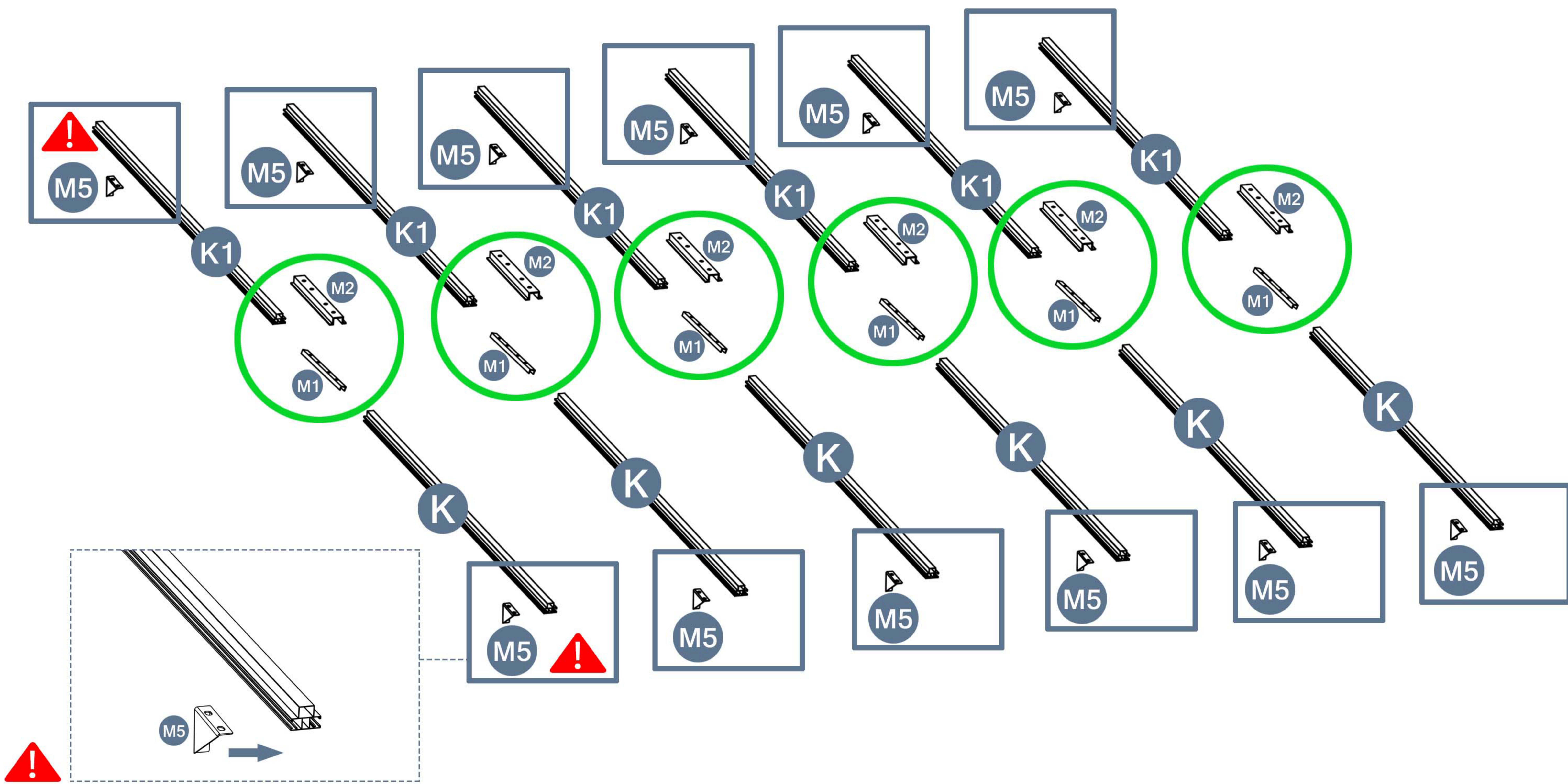
➔ ✉ E-mail: cs.helper01@gmail.com

STEP 10

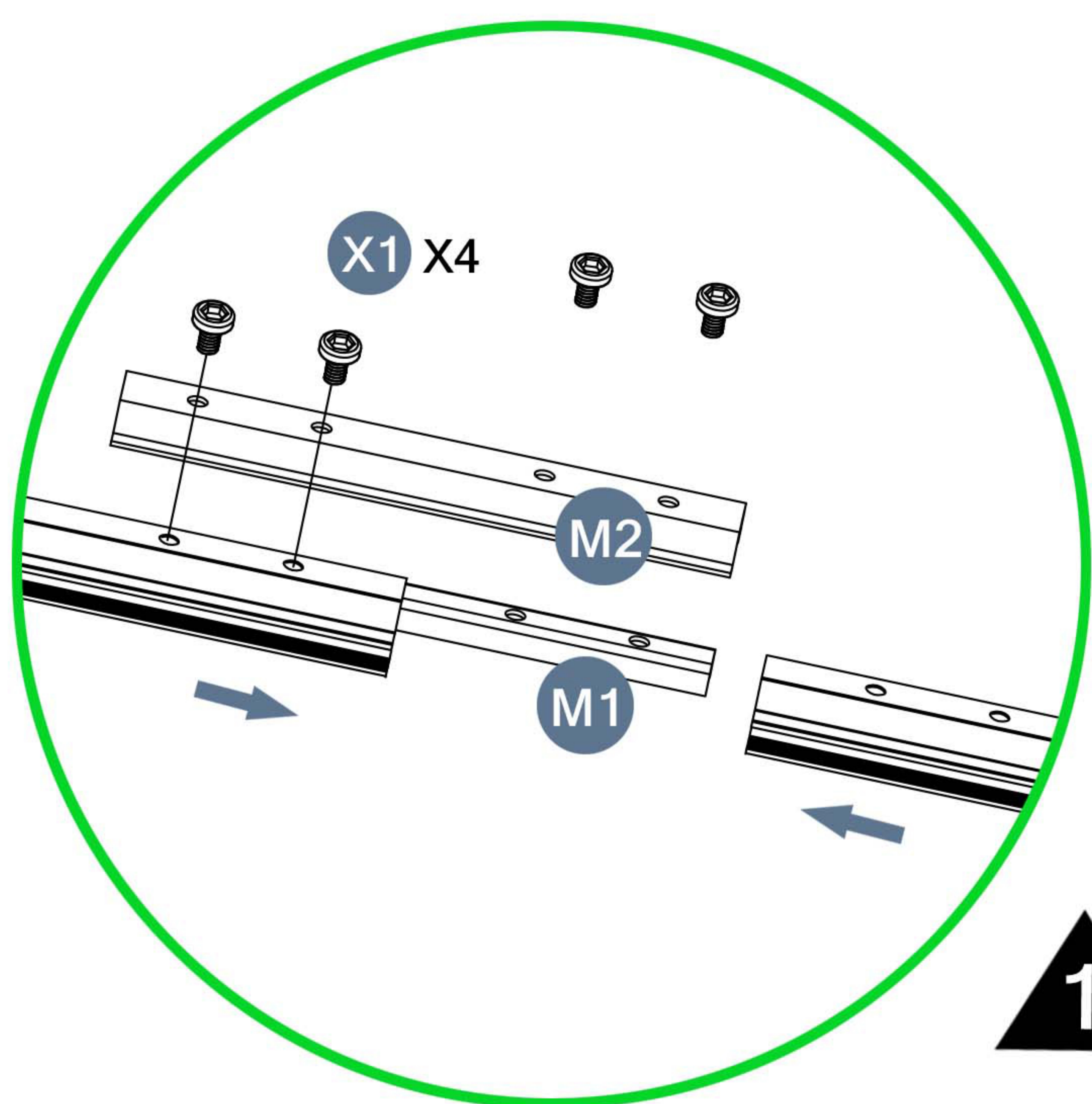
Parts required

-  M5 12pcs
-  M1 6pcs
-  X3 24pcs
-  K 6pcs
-  M2 6pcs
-  X1 24pcs
-  K1 6pcs
-  M1 6pcs

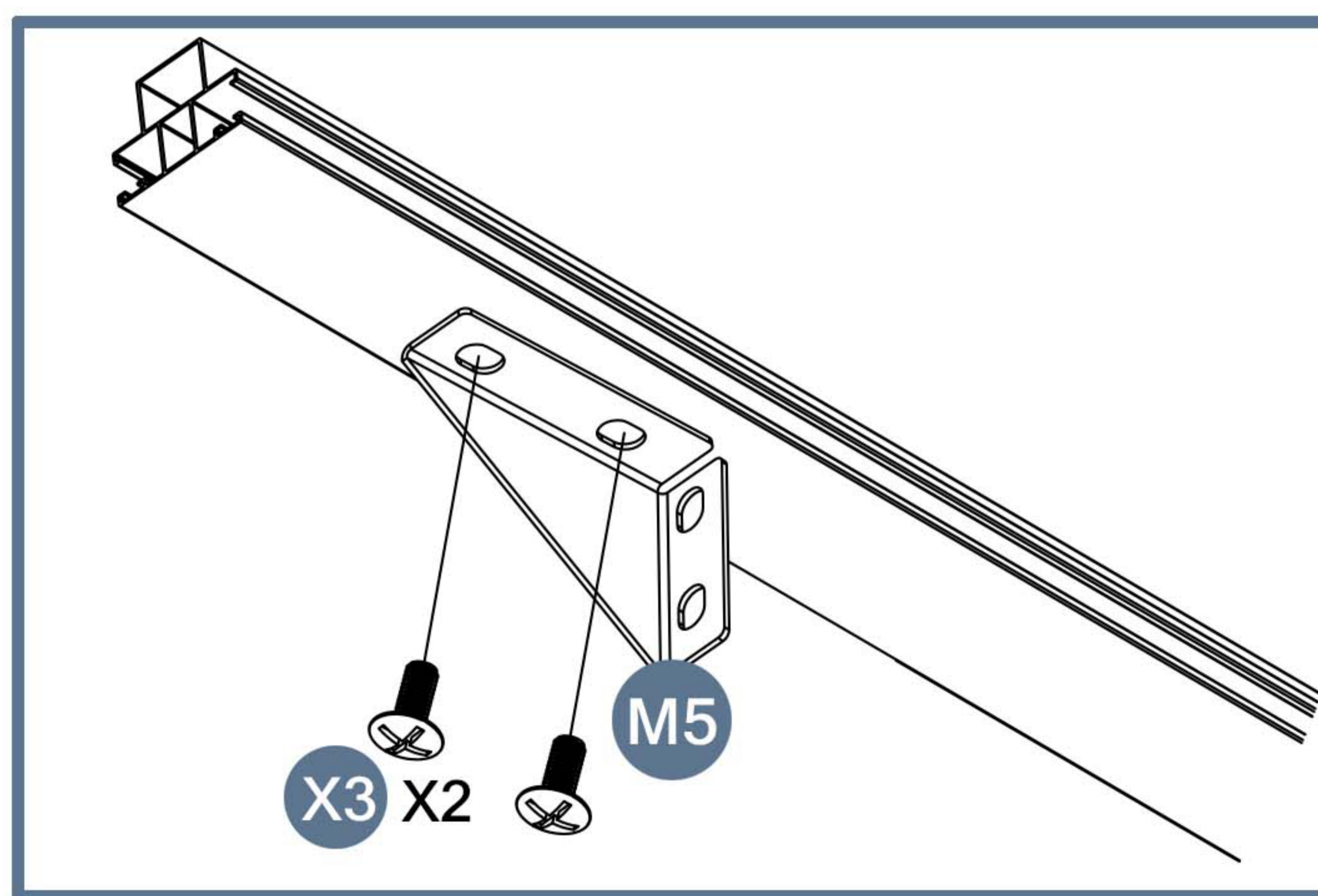
1 → 2



M5 Unify one direction, to the right

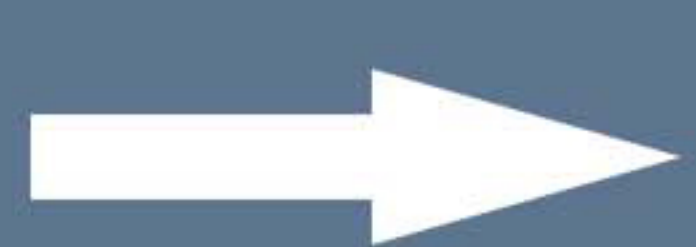


1



2

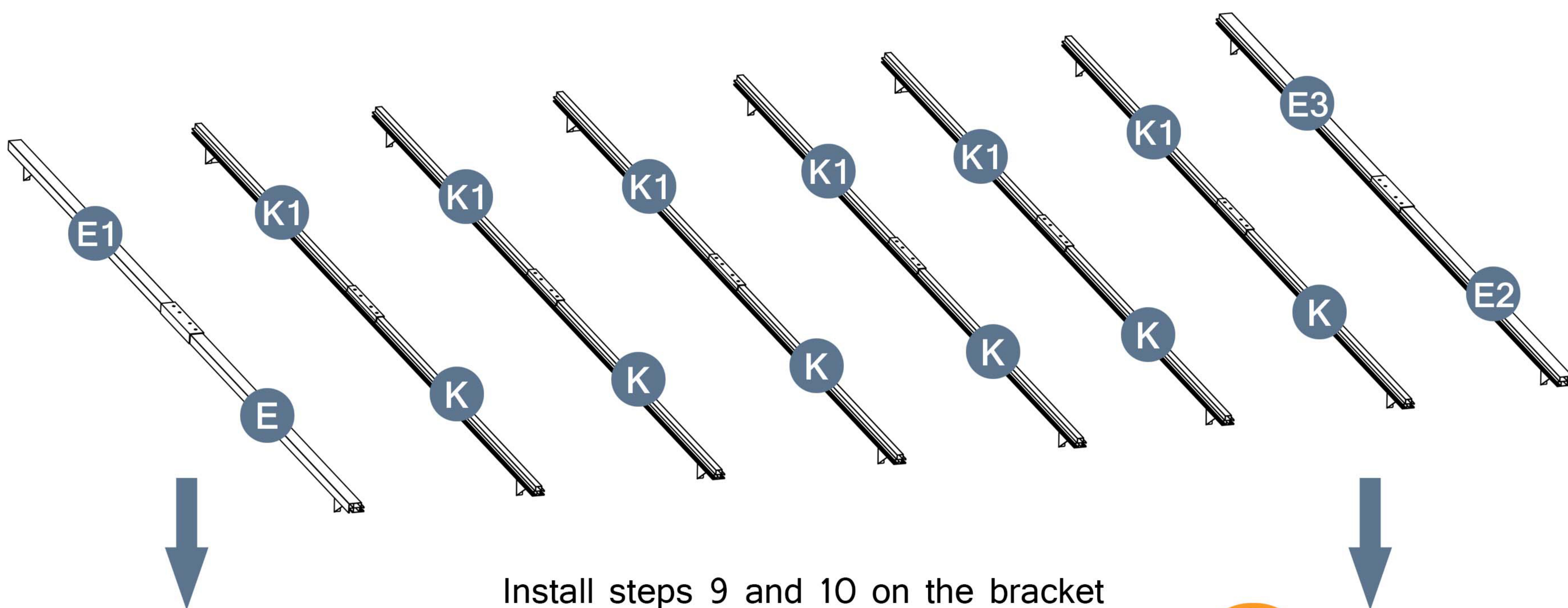
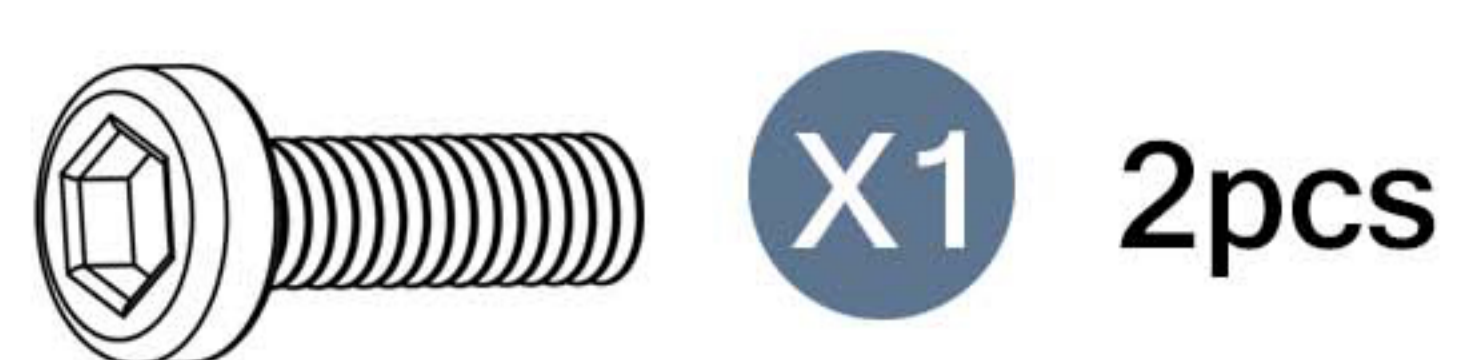
Please take care of the screws and contact the after-sales service if there is any problem with the installation or parts.



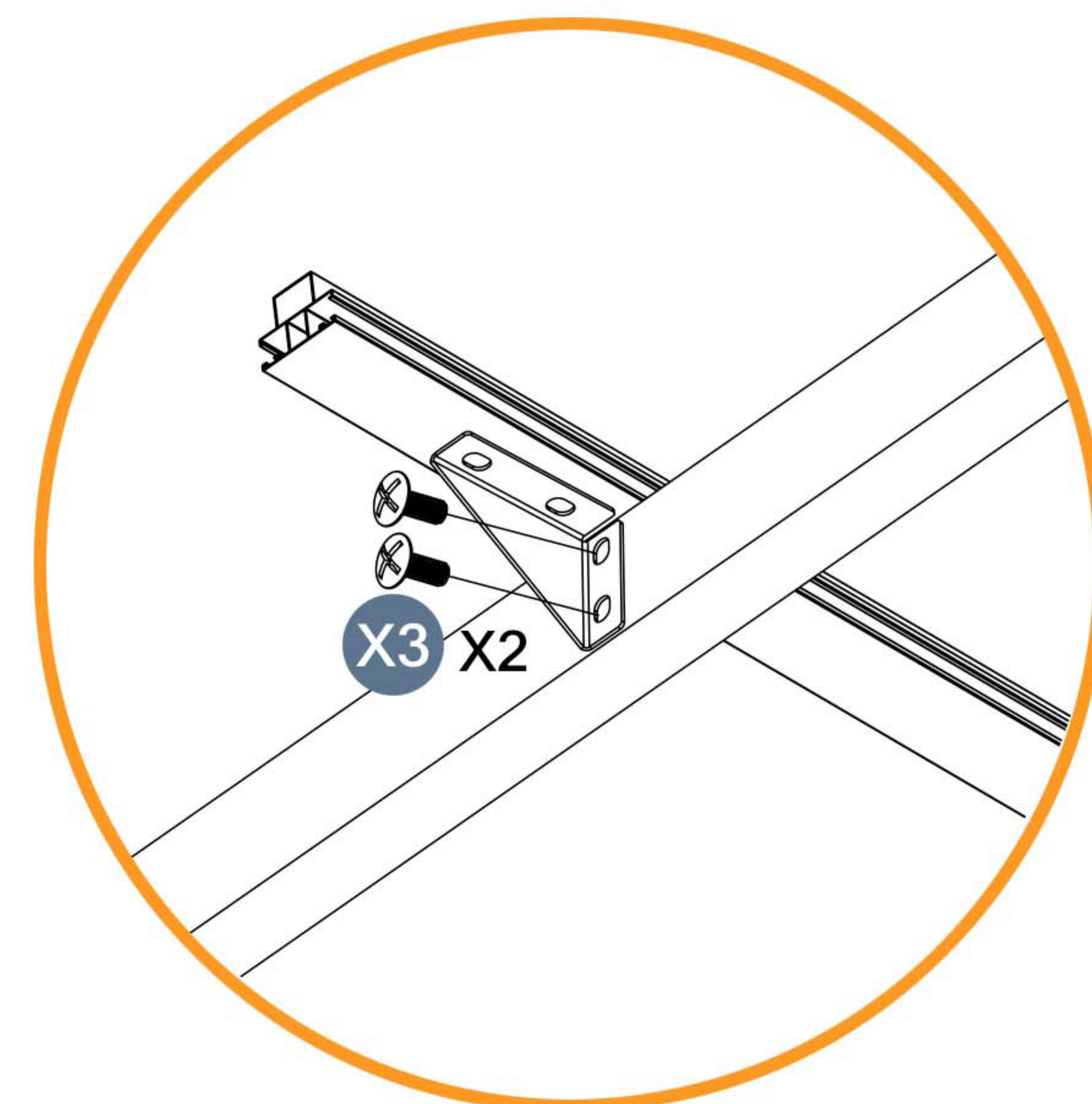
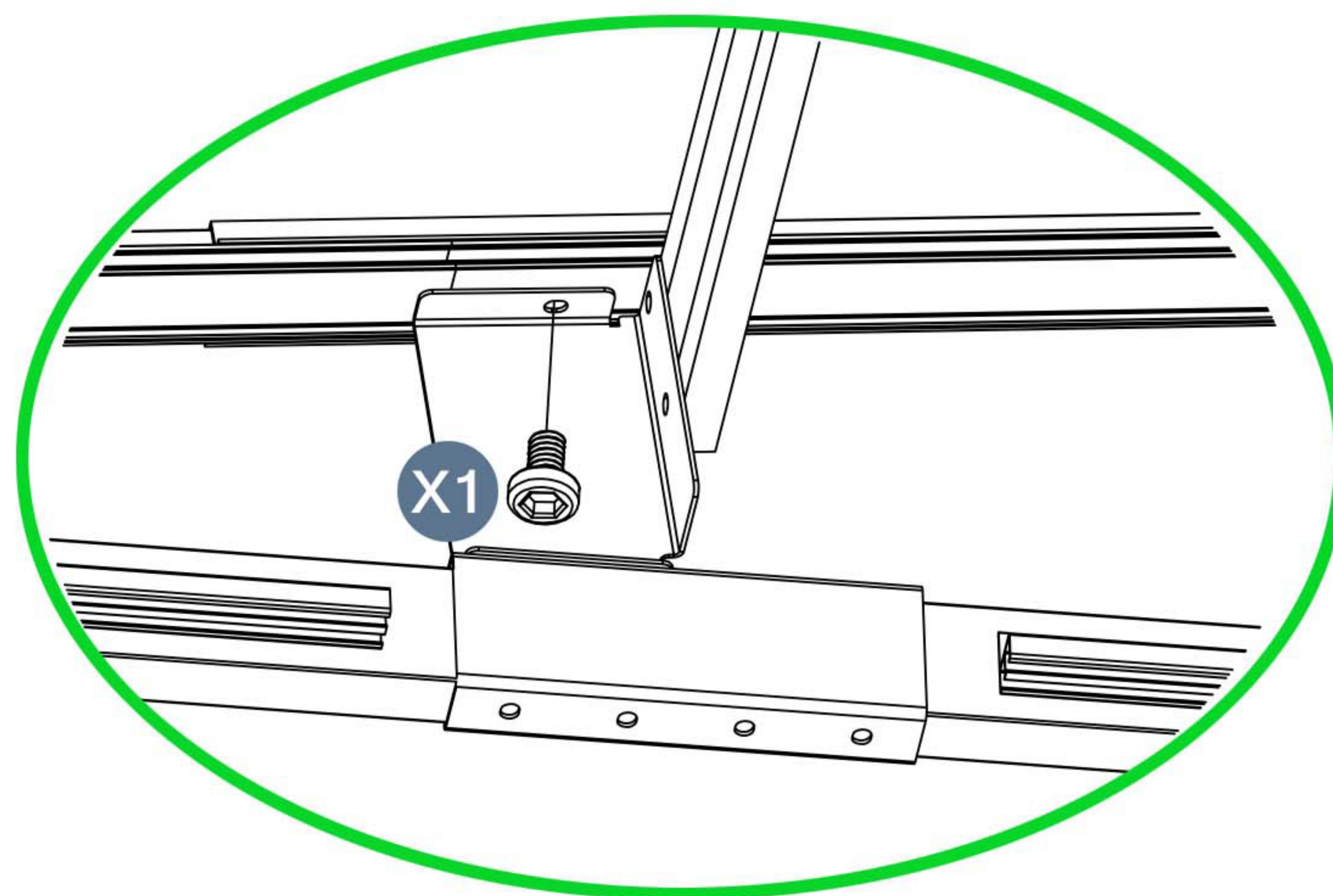
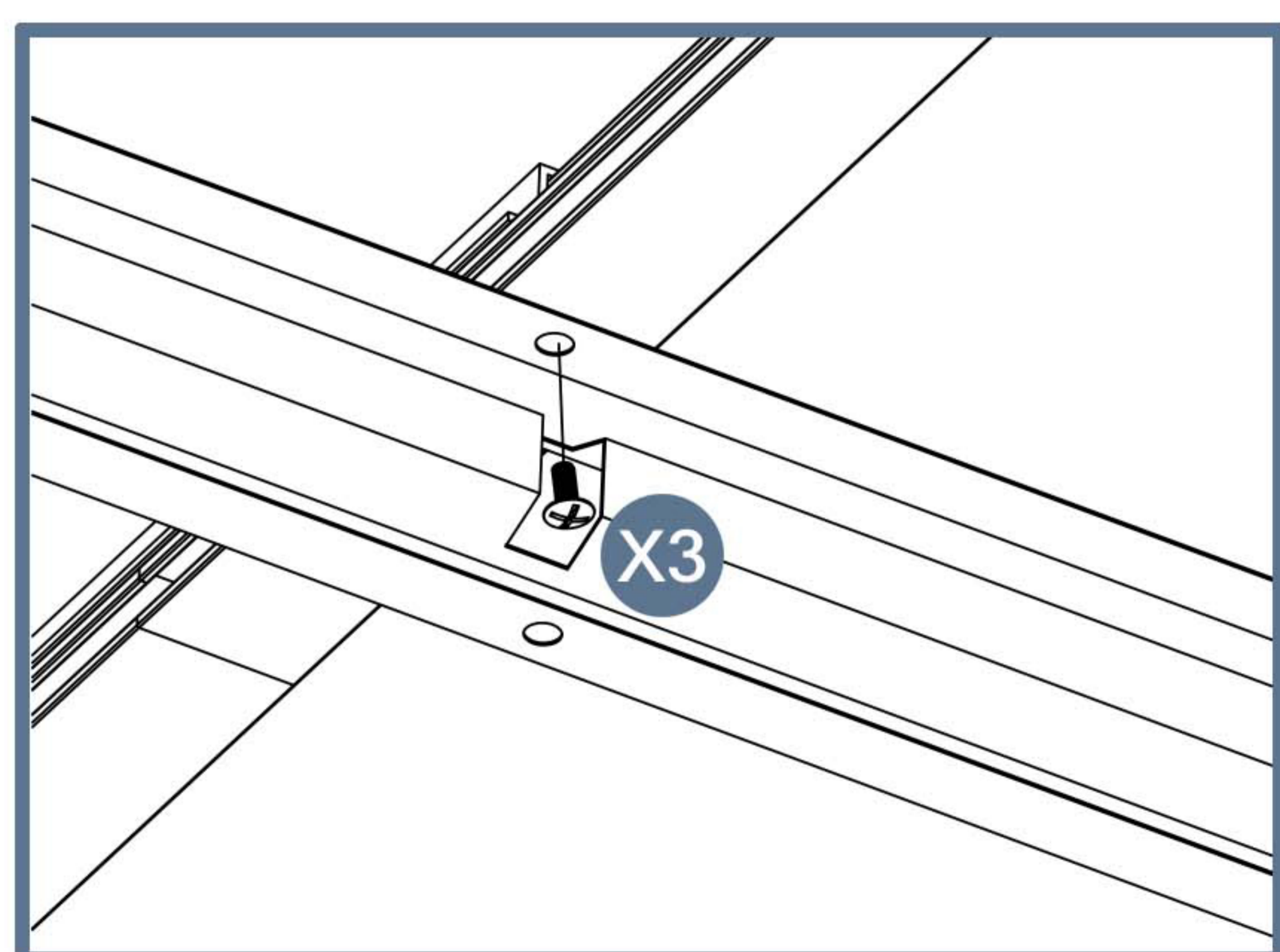
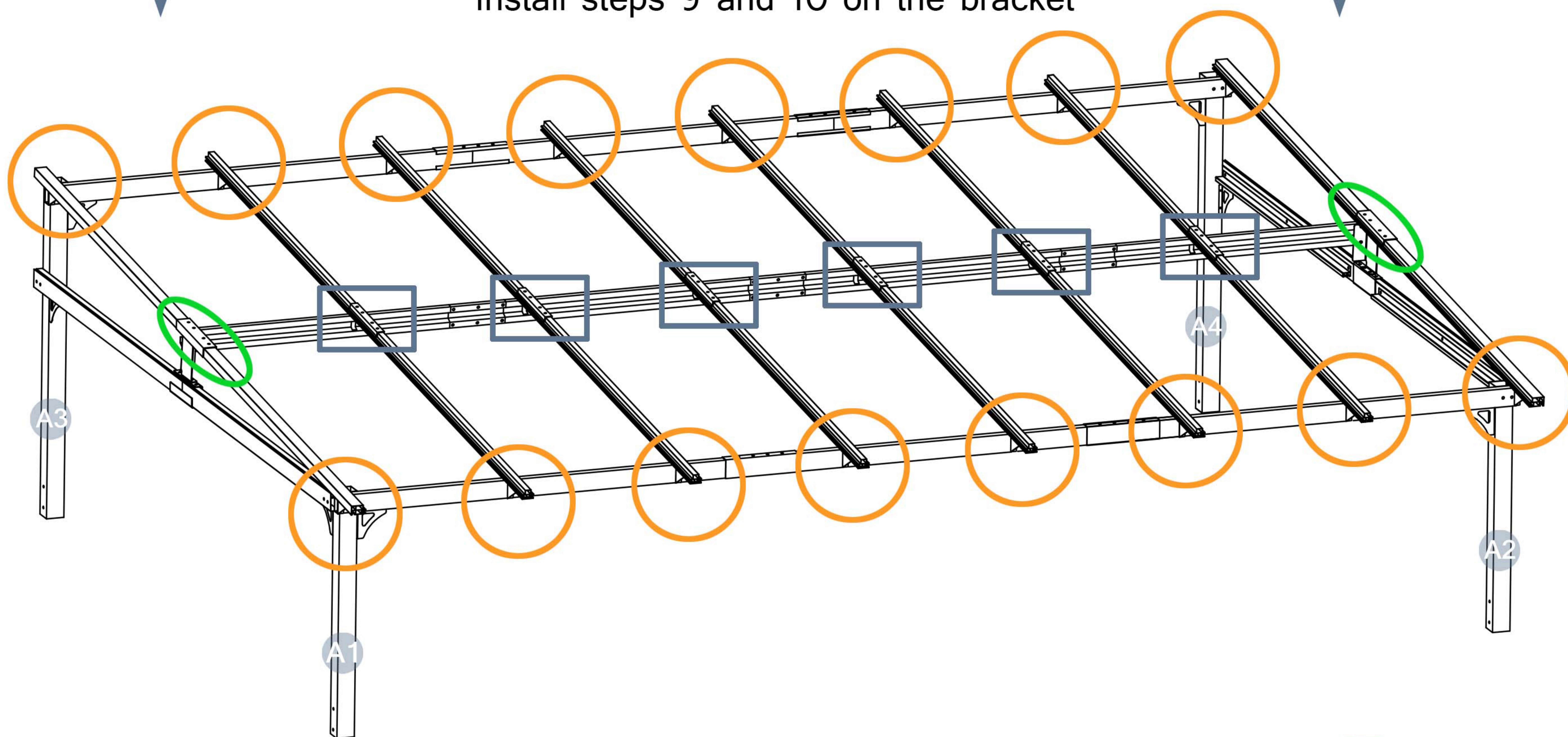
E-mail: cs.helper01@gmail.com

STEP 11

Parts required



Install steps 9 and 10 on the bracket



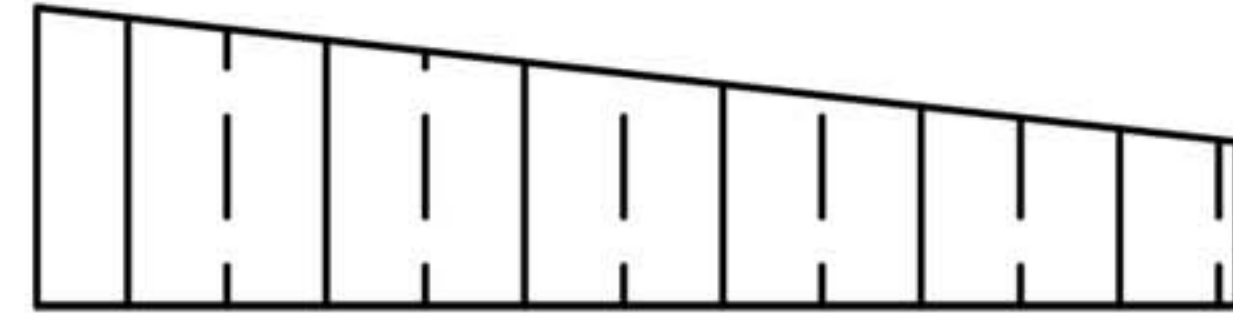
!!! Pay attention to the difference of screws

Please take care of the screws and contact the after-sales service if there is any problem with the installation or parts.

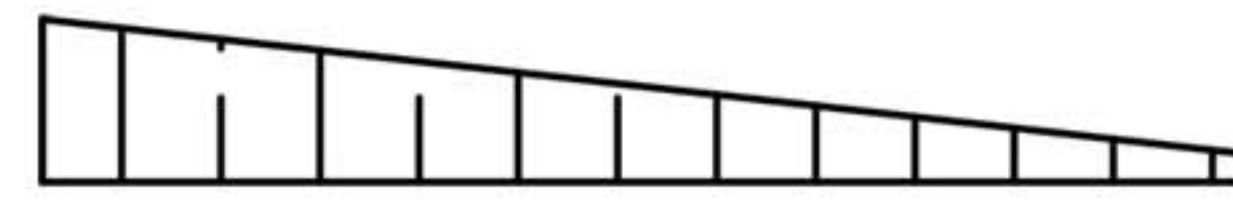
➔ ✉ E-mail: cs.helper01@gmail.com

STEP 12

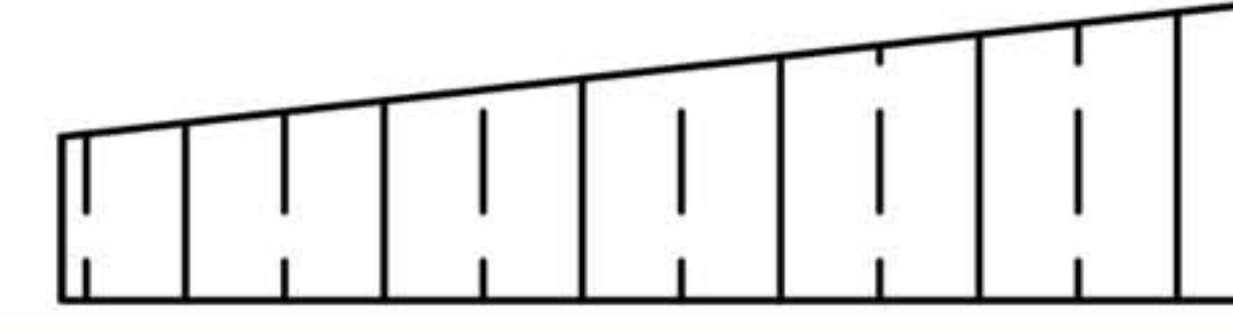
Parts required



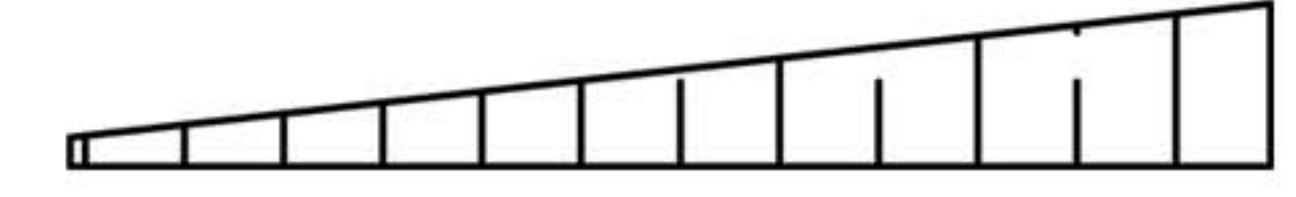
Y1 1pcs



Y2 1pcs



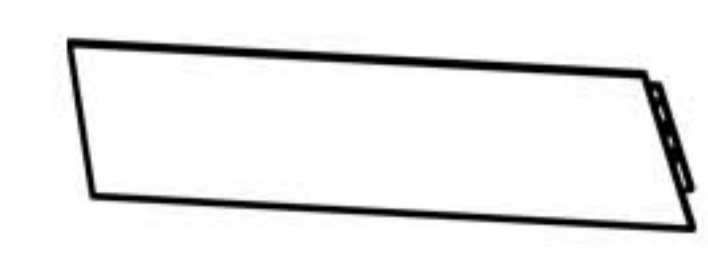
Y3 1pcs



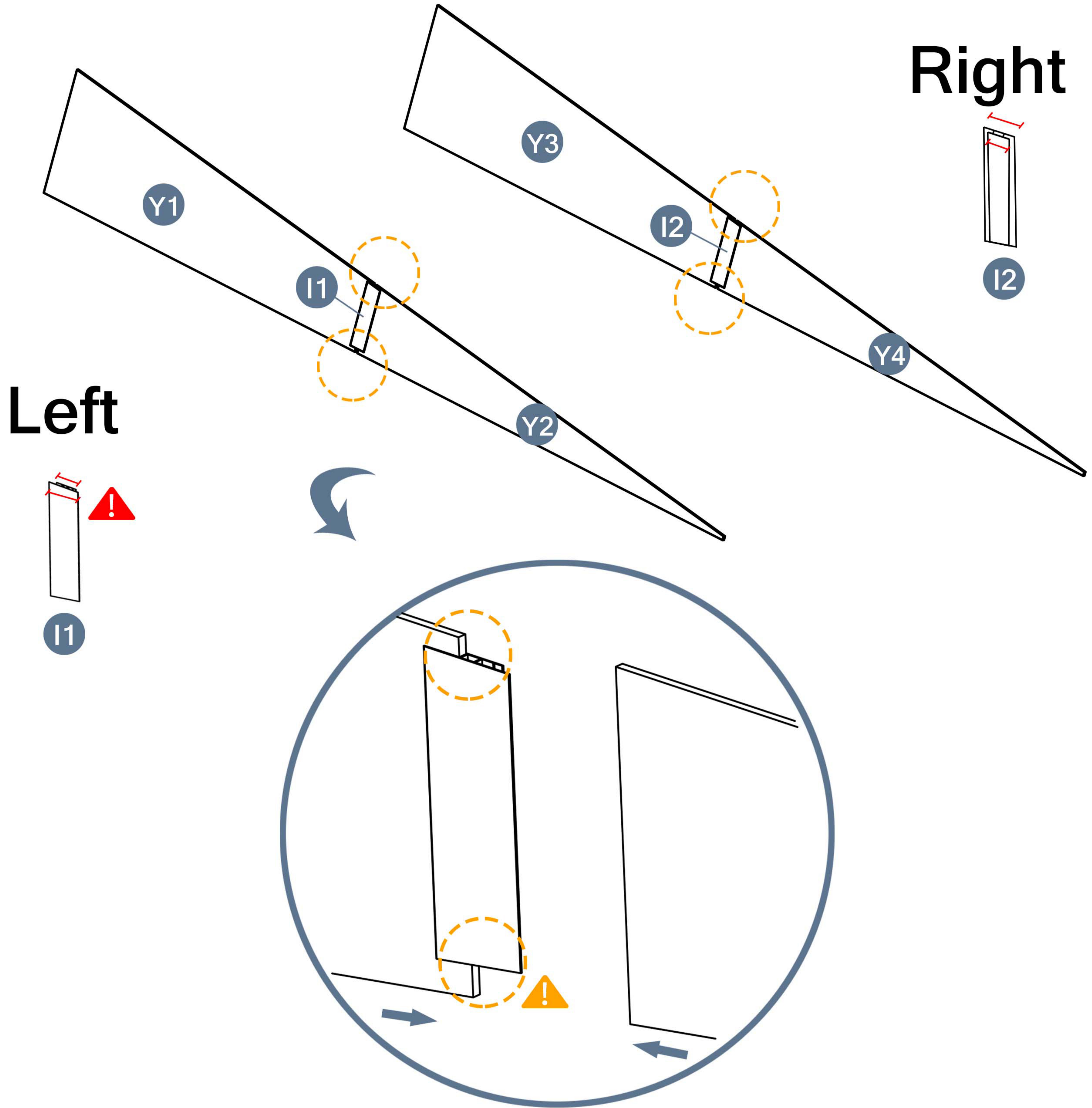
Y4 1pcs





I1 1pcs



I2 1pcs



-  Insert the pc board into the tube slot. Attention! The wide side of I1 and I2 is outward.
-  Note that the yellow circle should be left blank.

Please take care of the screws and contact the after-sales service if there is any problem with the installation or parts.

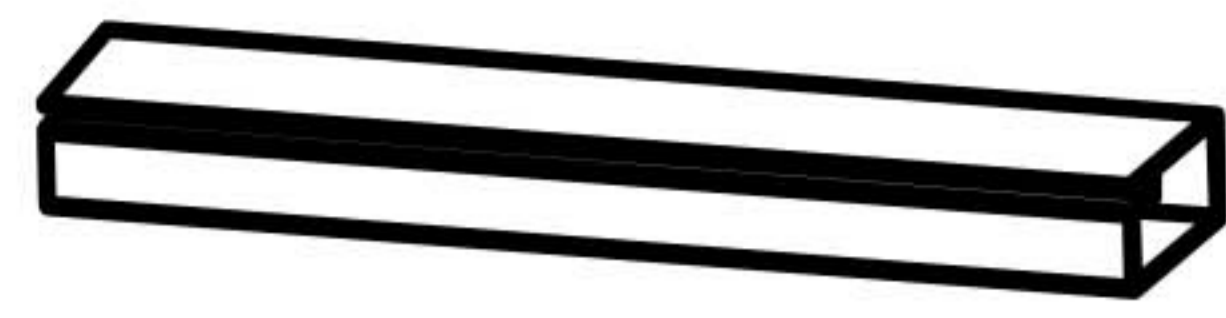
➔  E-mail: cs.helper01@gmail.com

STEP 13

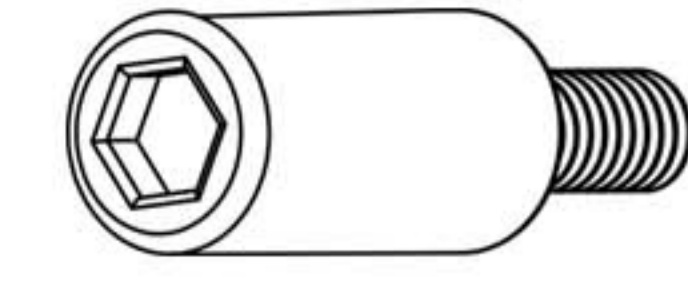
Parts required



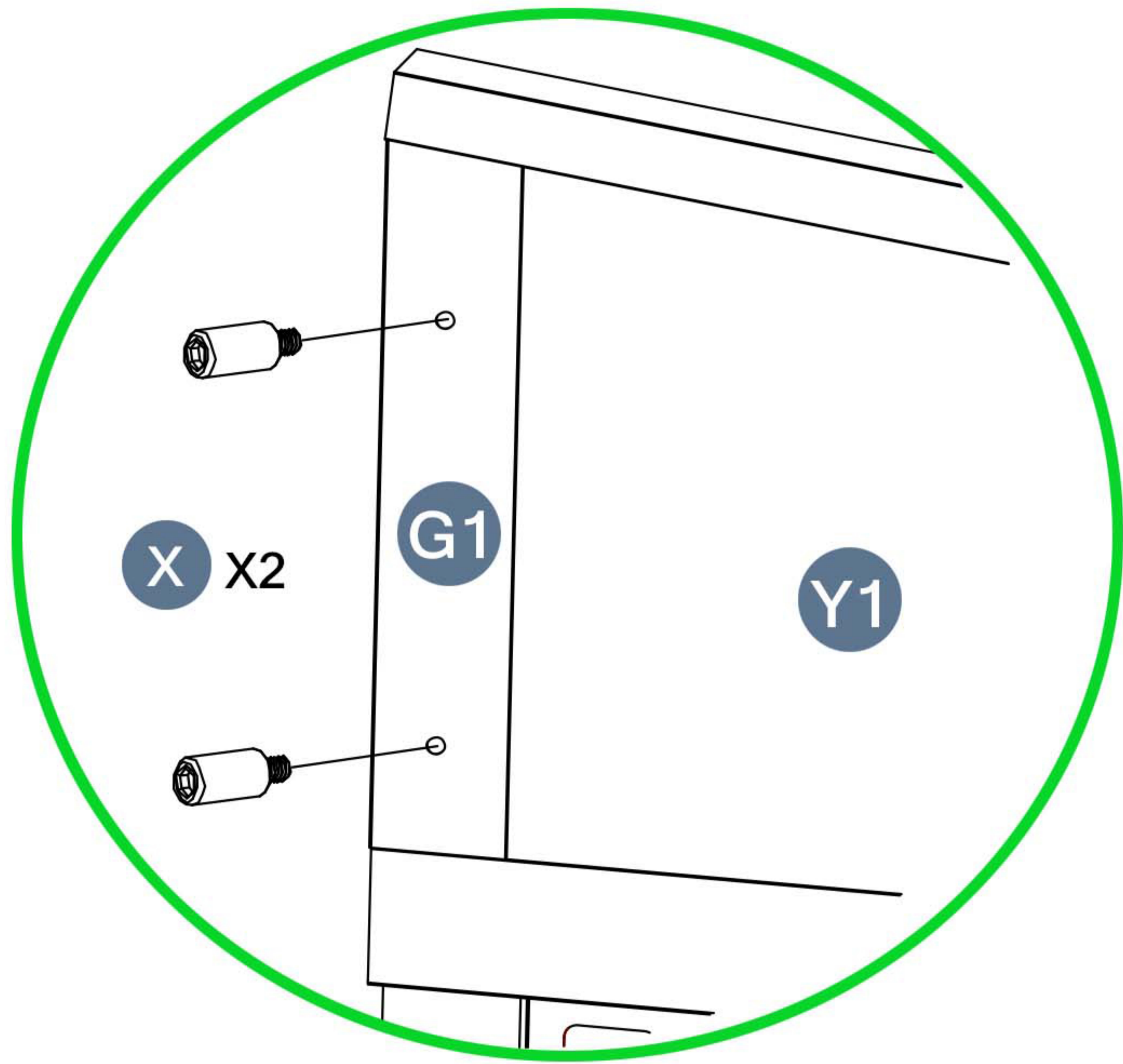
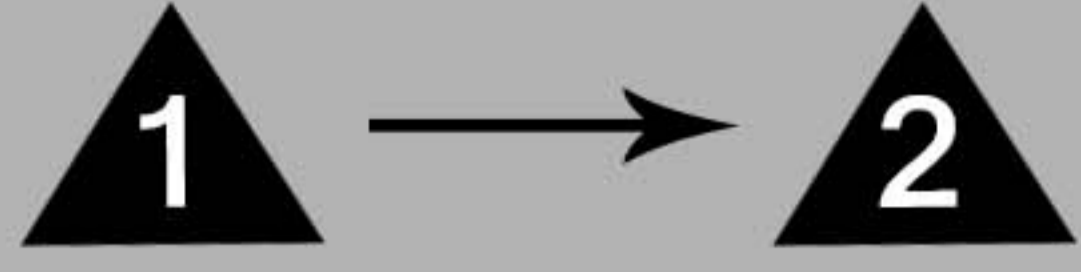
G1 1pcs



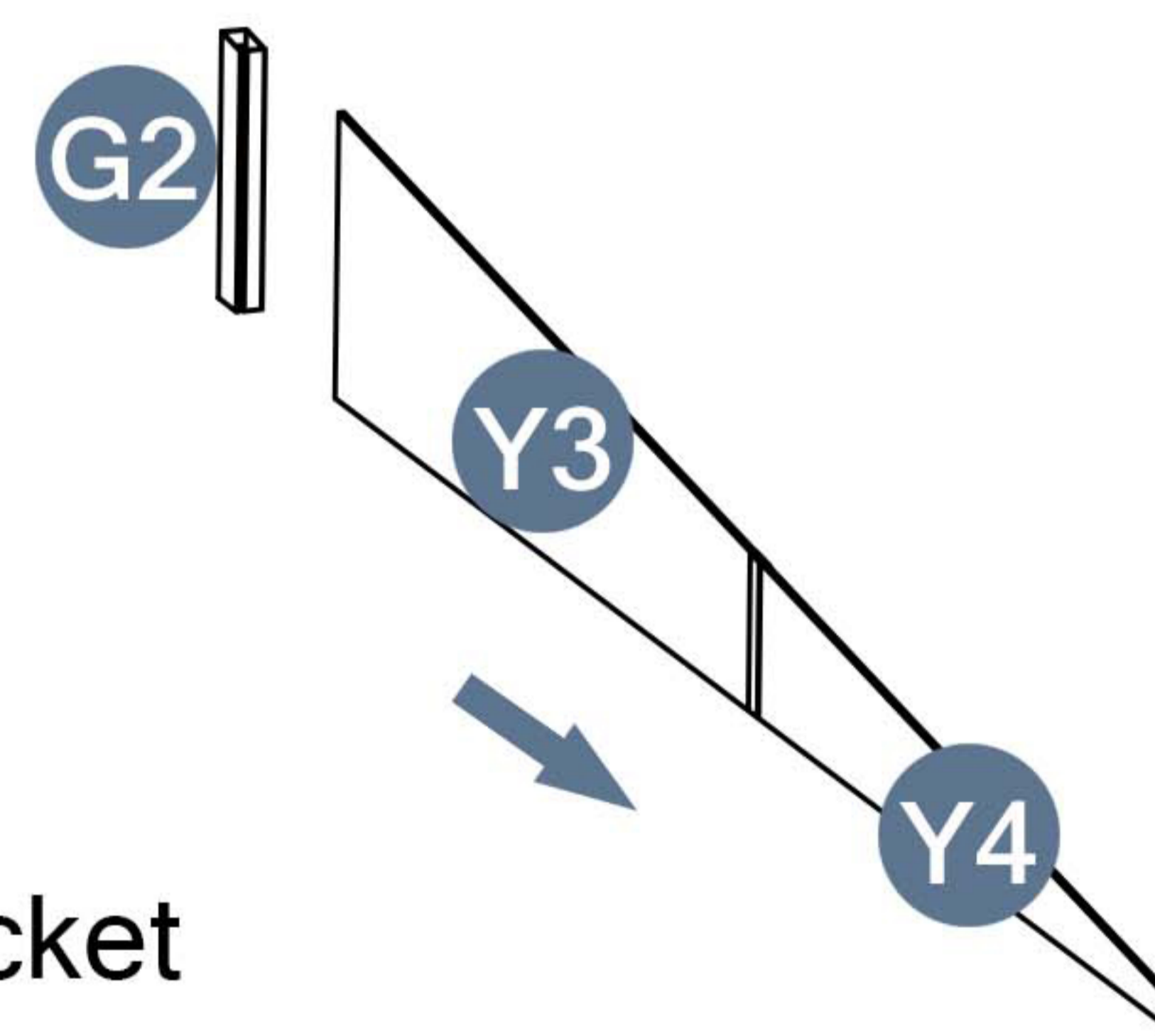
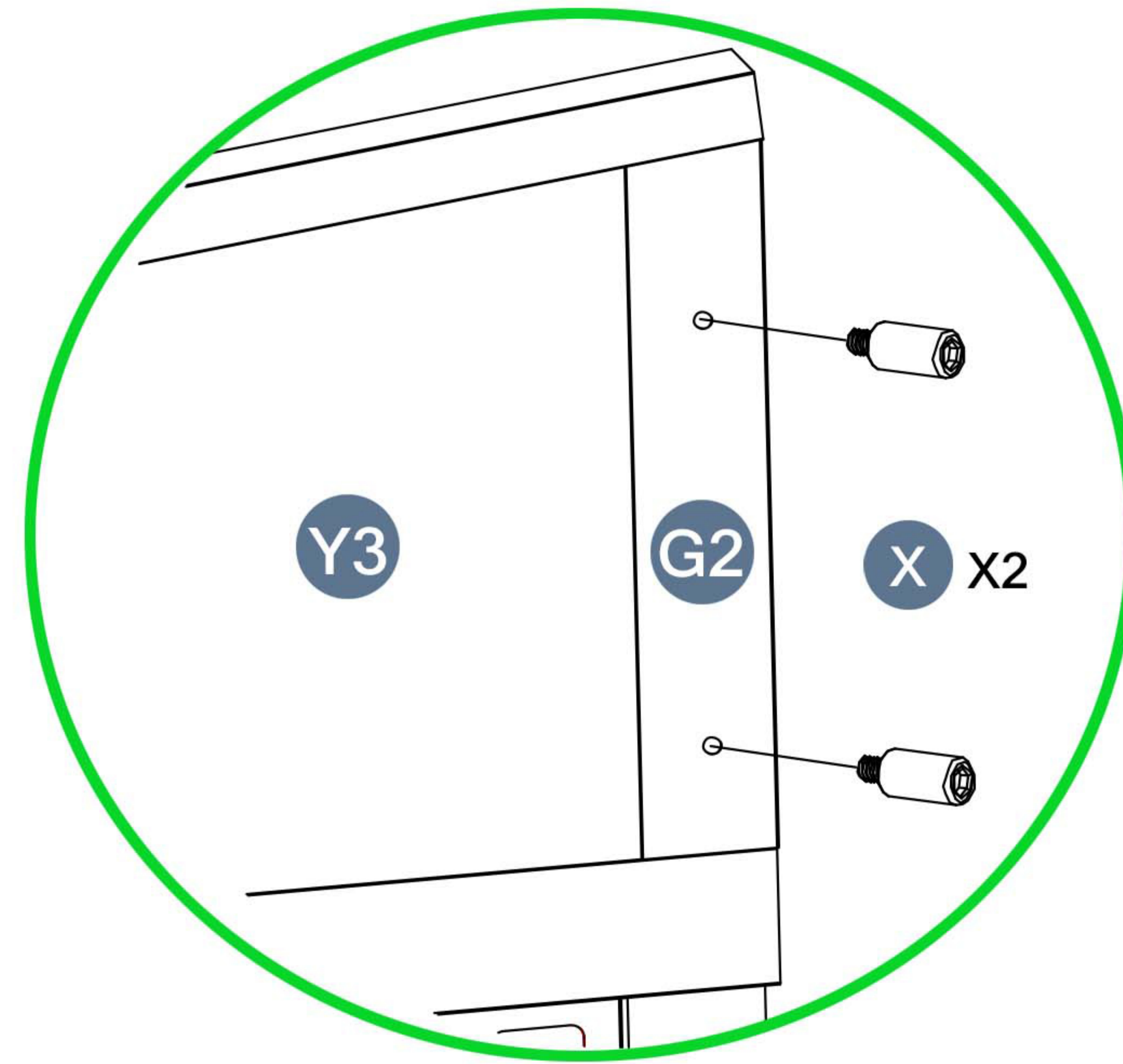
G2 1pcs



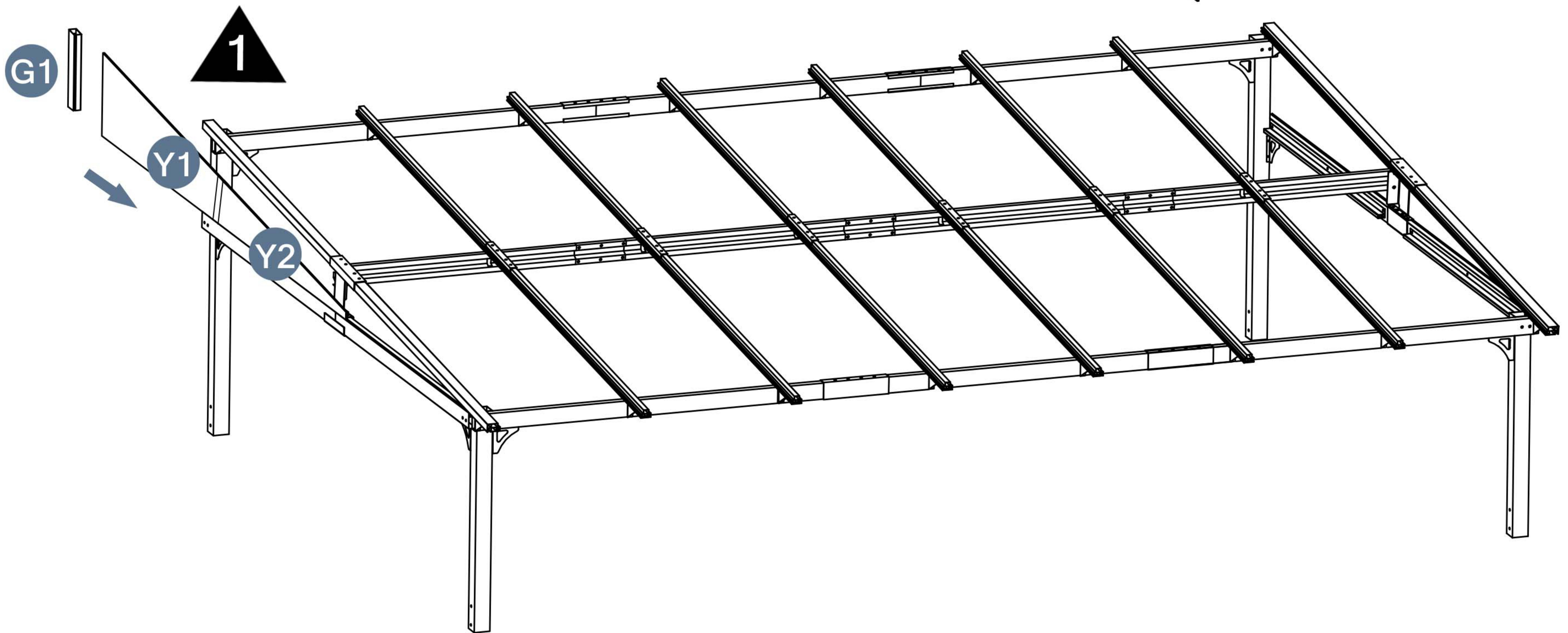
X 4pcs



2



Install steps12 on the bracket

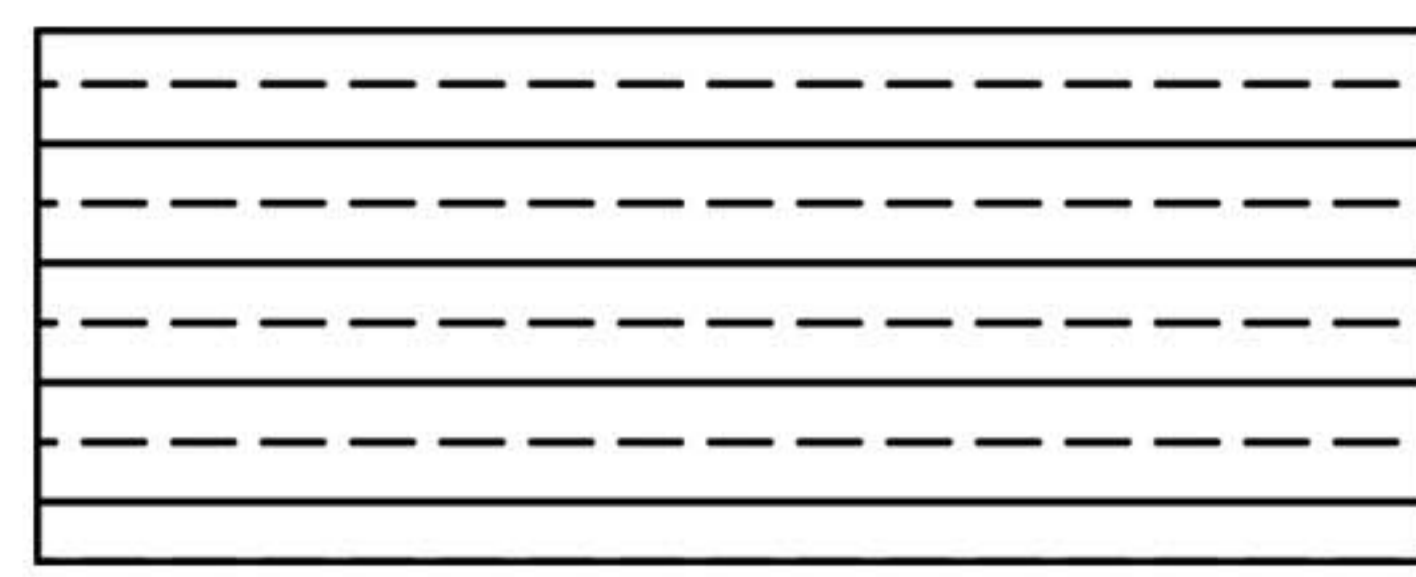


Please take care of the screws and contact the after-sales service if there is any problem with the installation or parts.

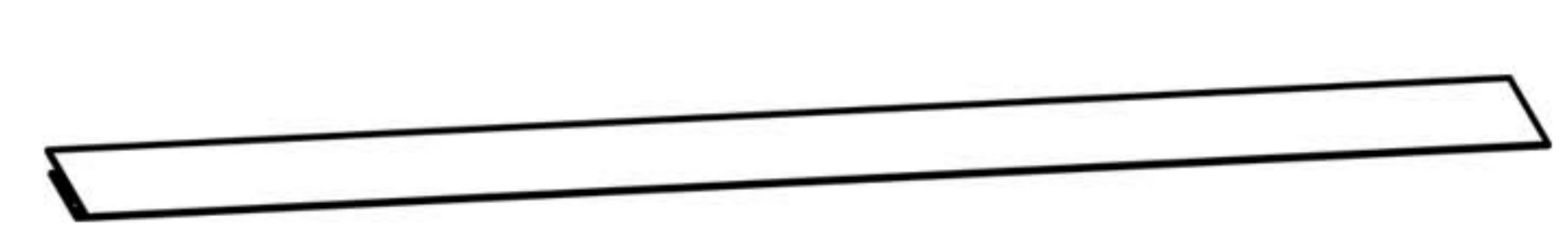
➔ ✉ E-mail: cs.helper01@gmail.com

STEP 14

Parts required

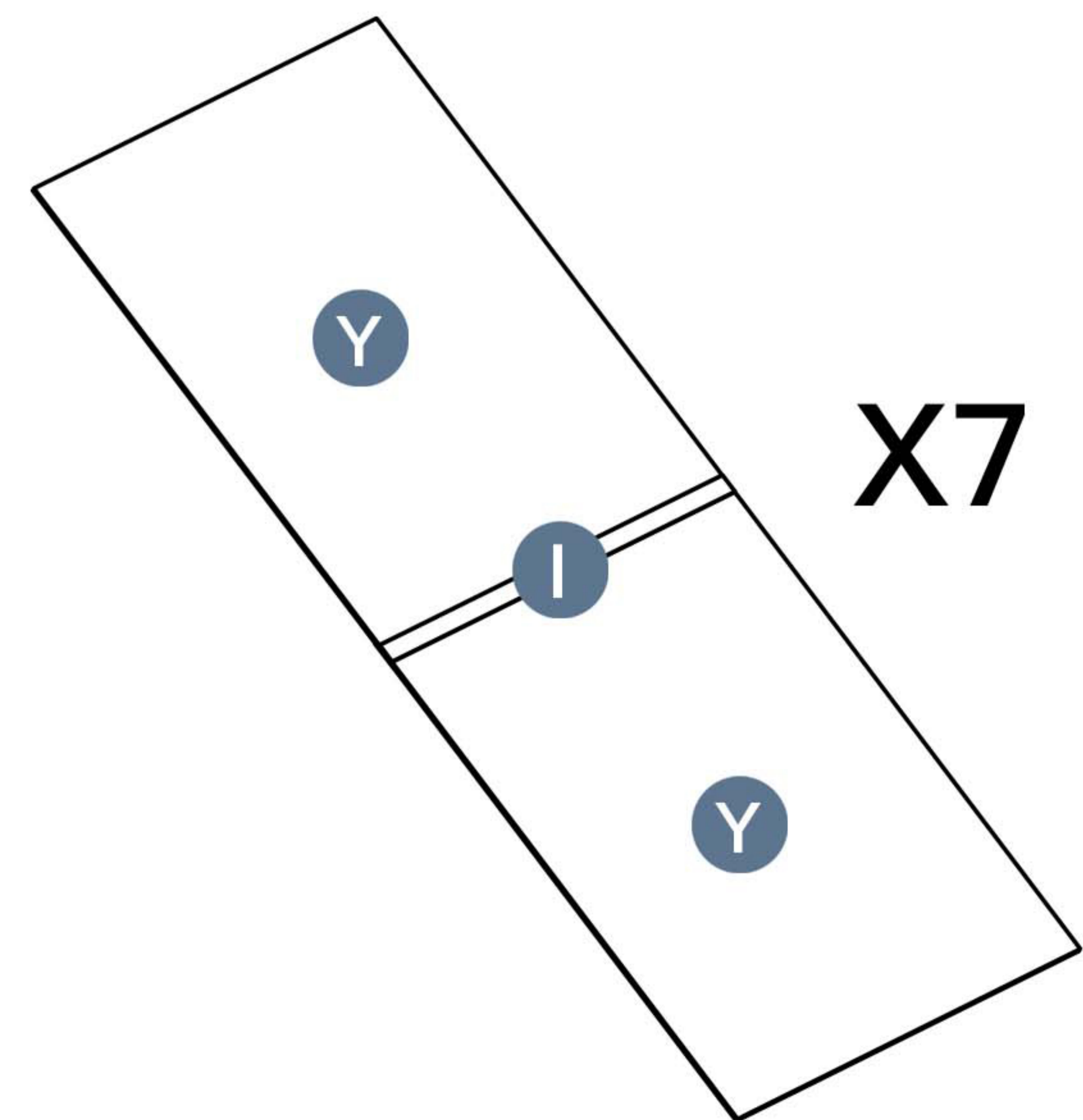
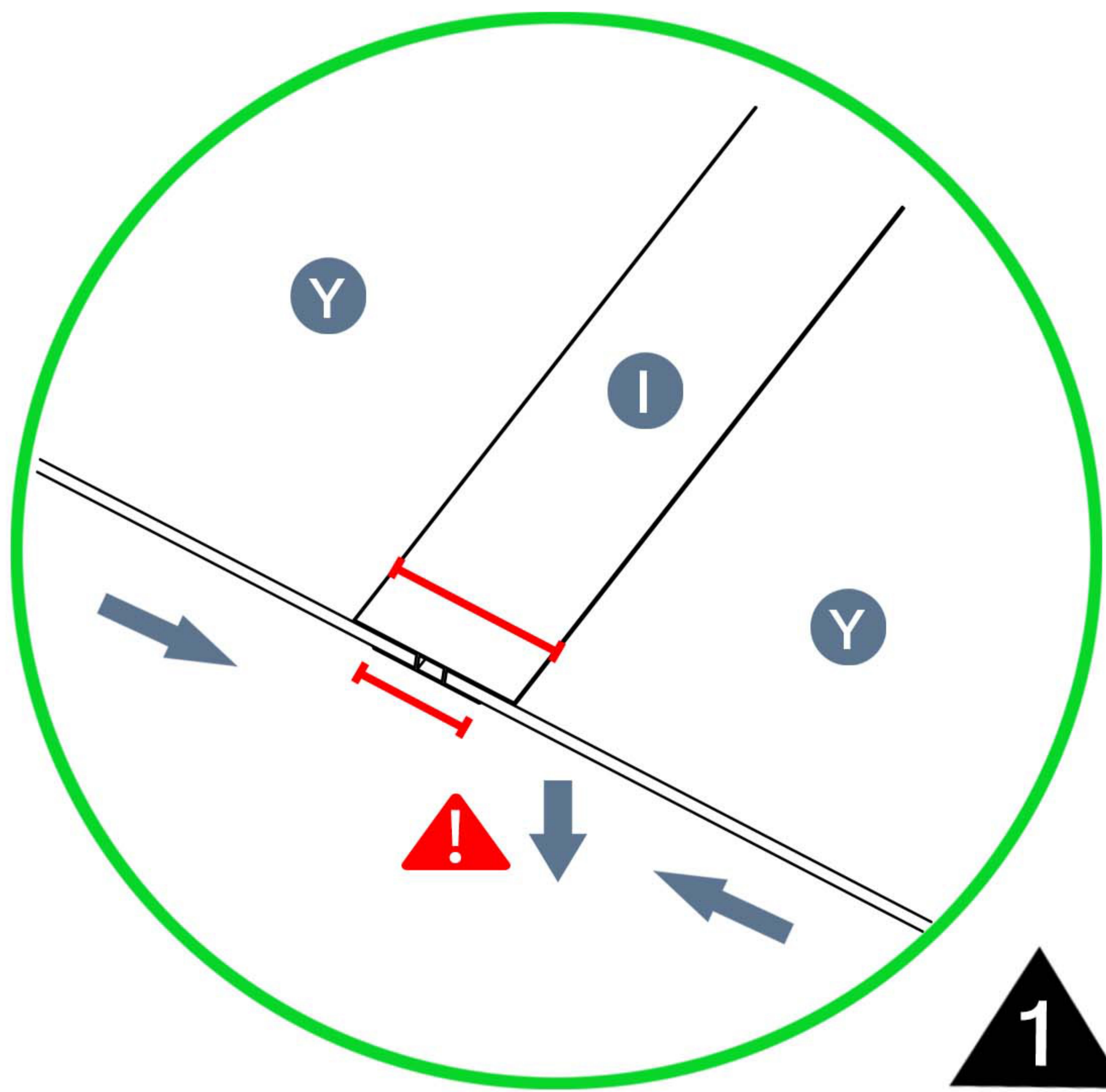
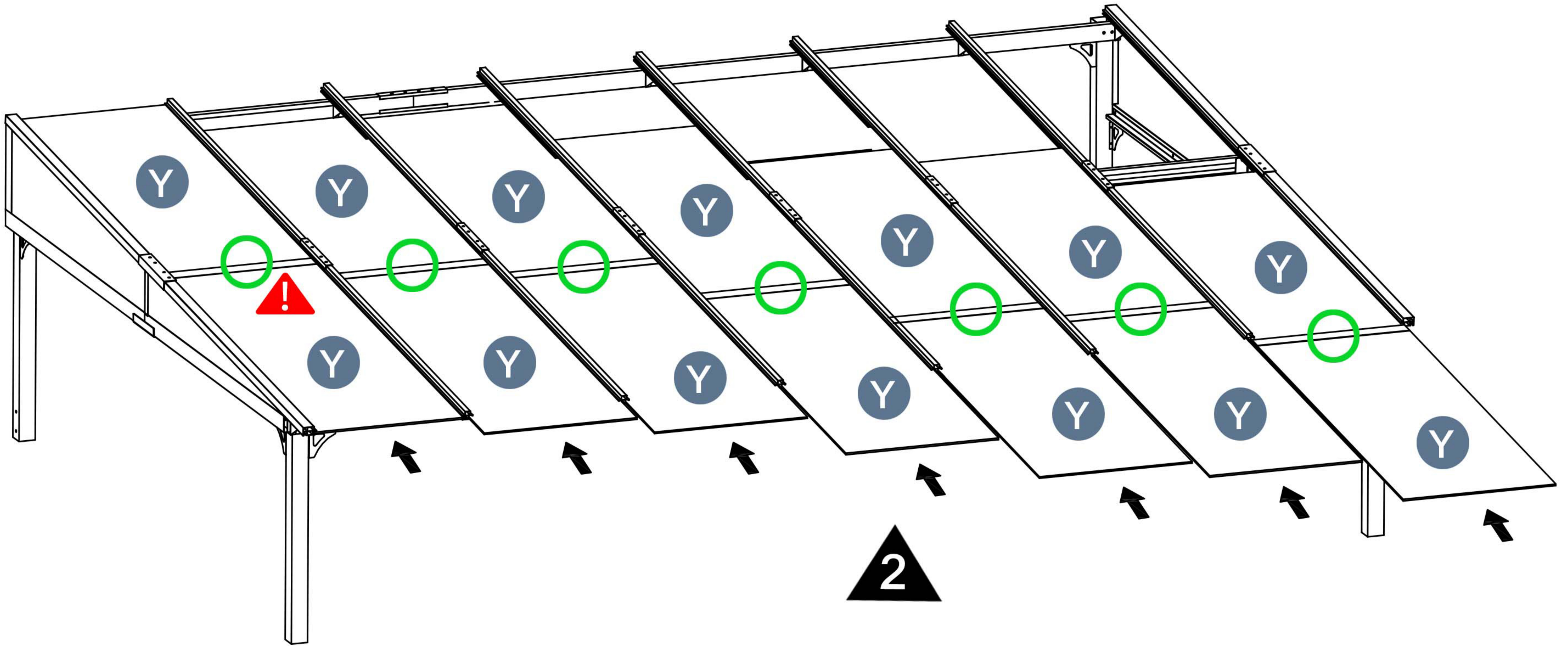


Y 14pcs



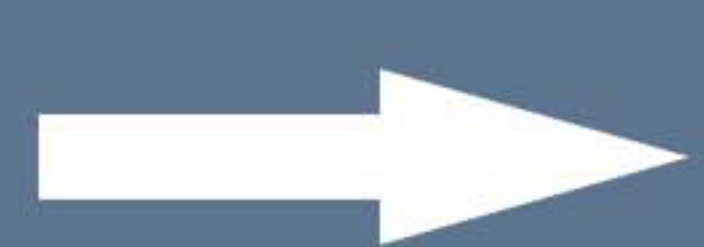
I 7pcs

1 → 2



Attention! In this step of installation, the wide edge is up, and the short side is up, there will be water leakage.

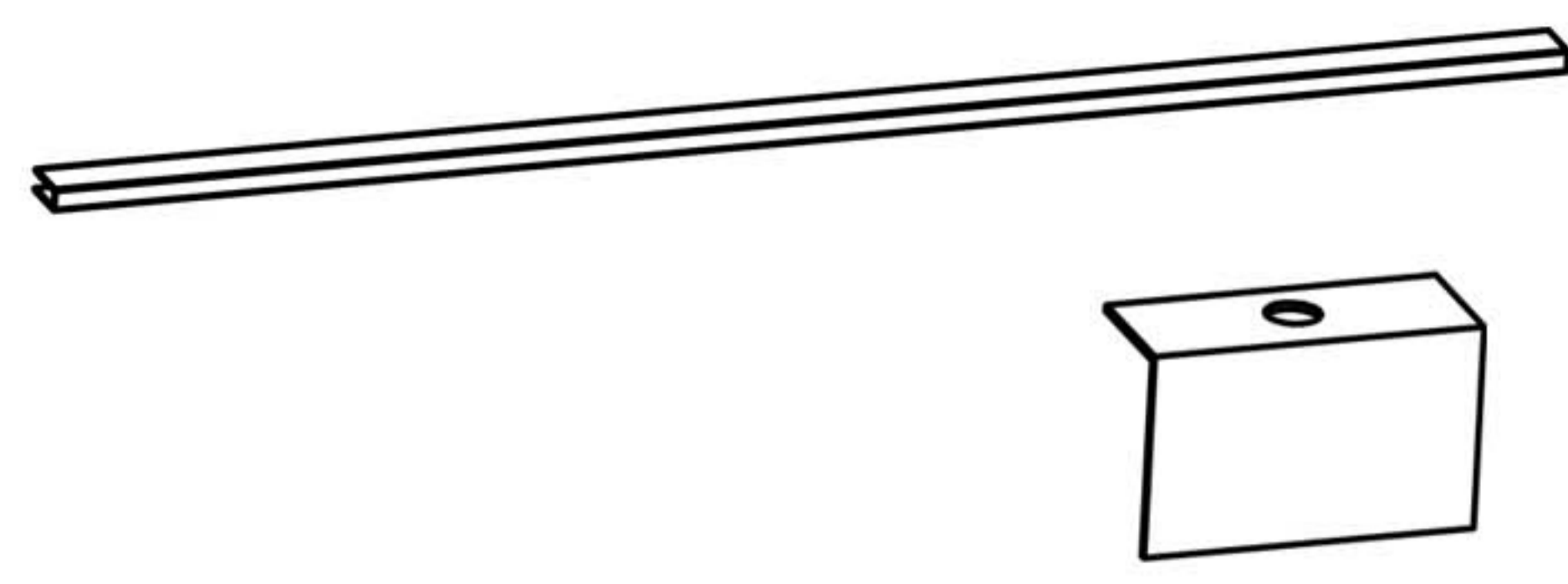
Please take care of the screws and contact the after-sales service if there is any problem with the installation or parts.



E-mail: cs.helper01@gmail.com

STEP 15

Parts required

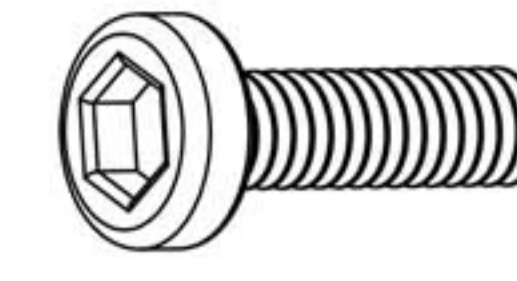


G 14pcs



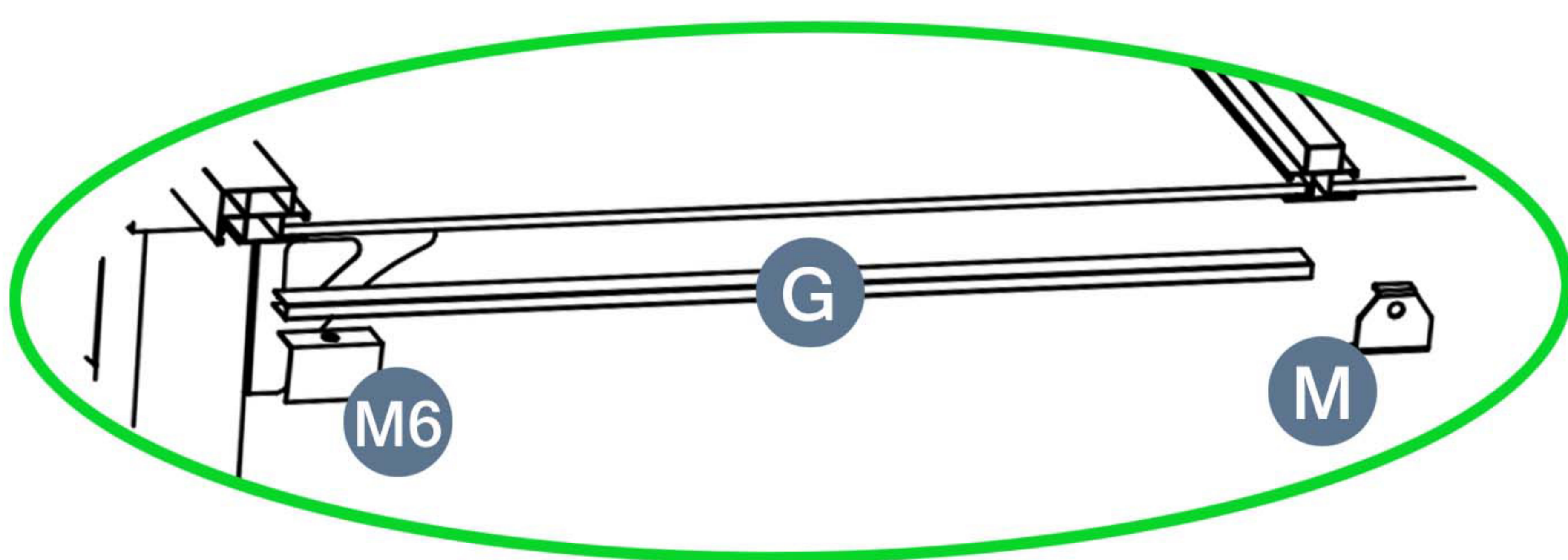
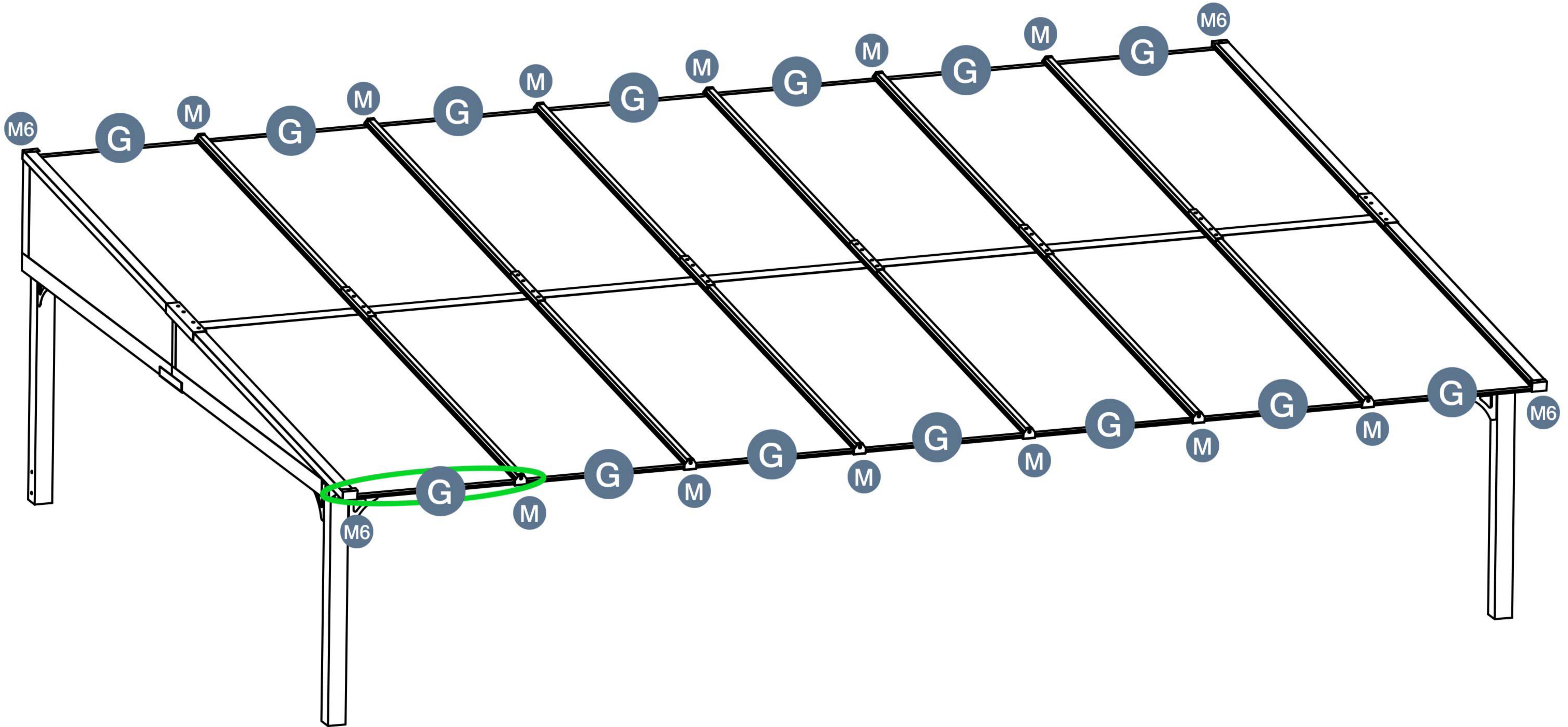
M 12pcs

M6 4pcs

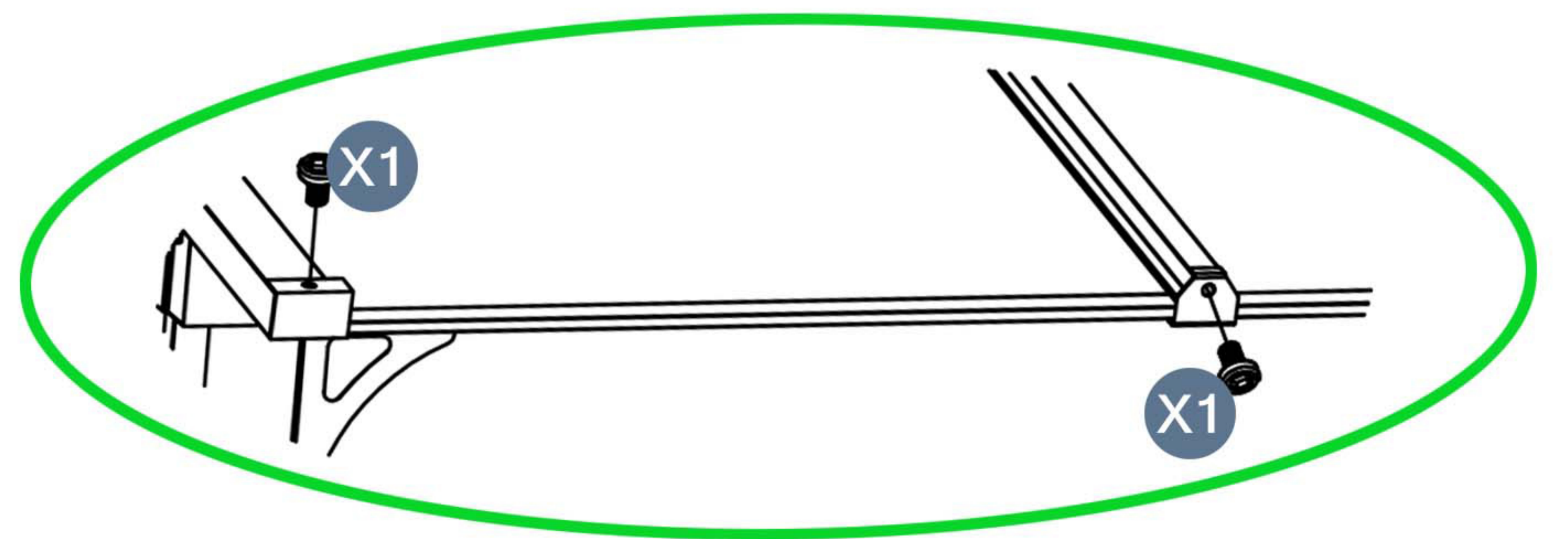


X1 16pcs

1 → 2



1



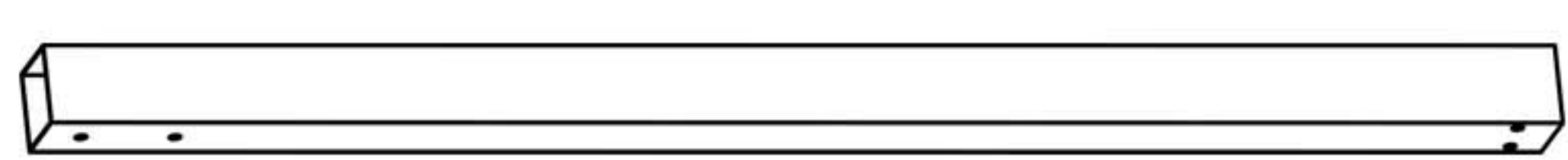
2

Please take care of the screws and contact the after-sales service if there is any problem with the installation or parts.

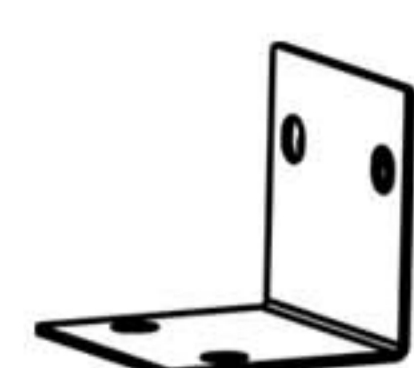
➔ E-mail: cs.helper01@gmail.com

STEP 16

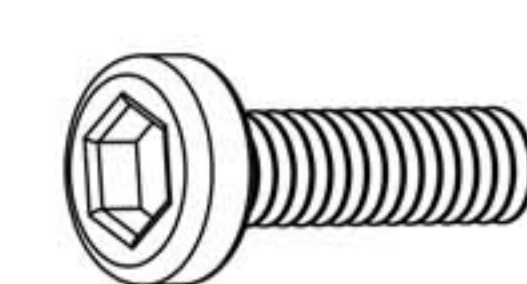
Parts required




A 4pcs

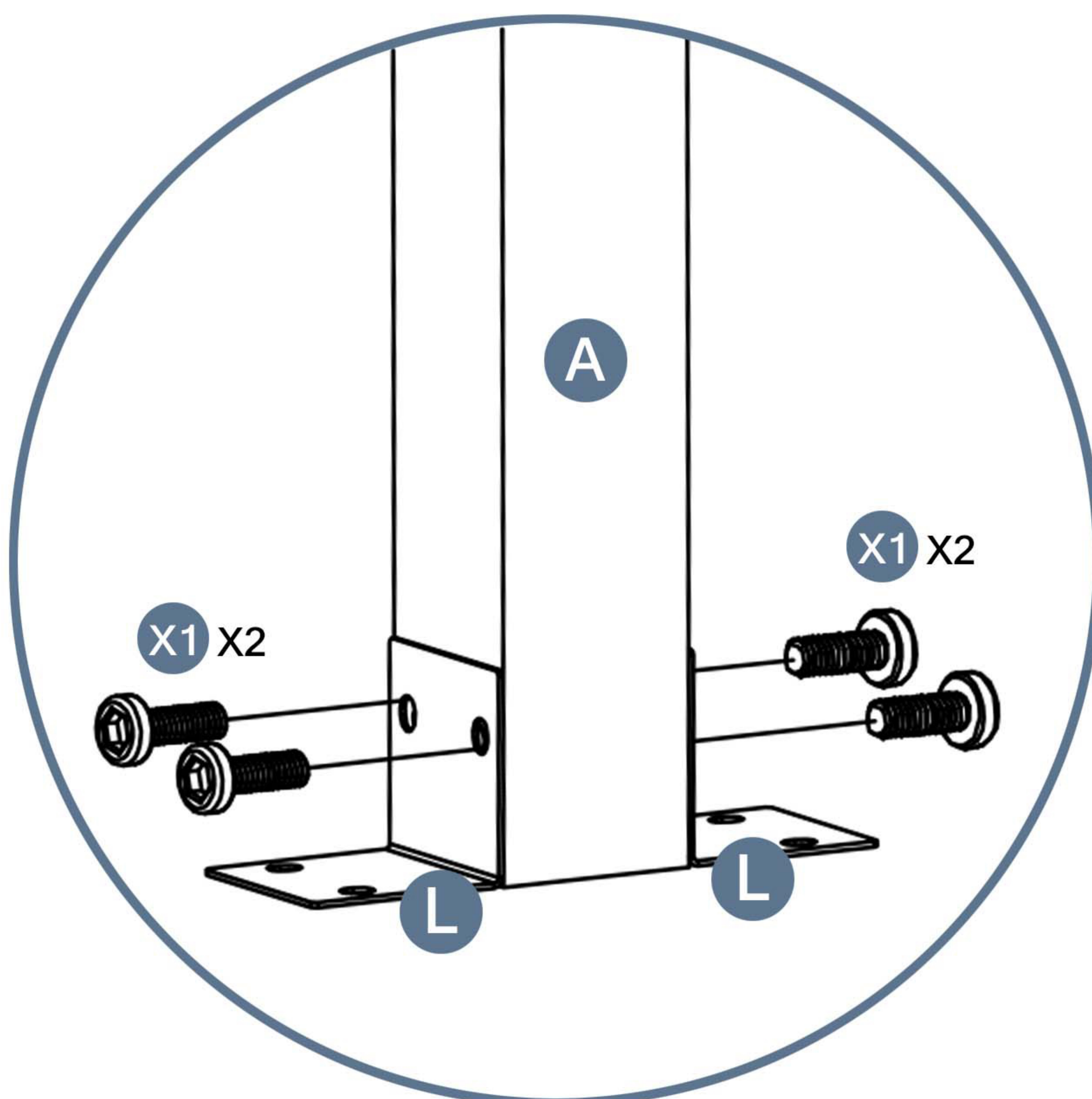
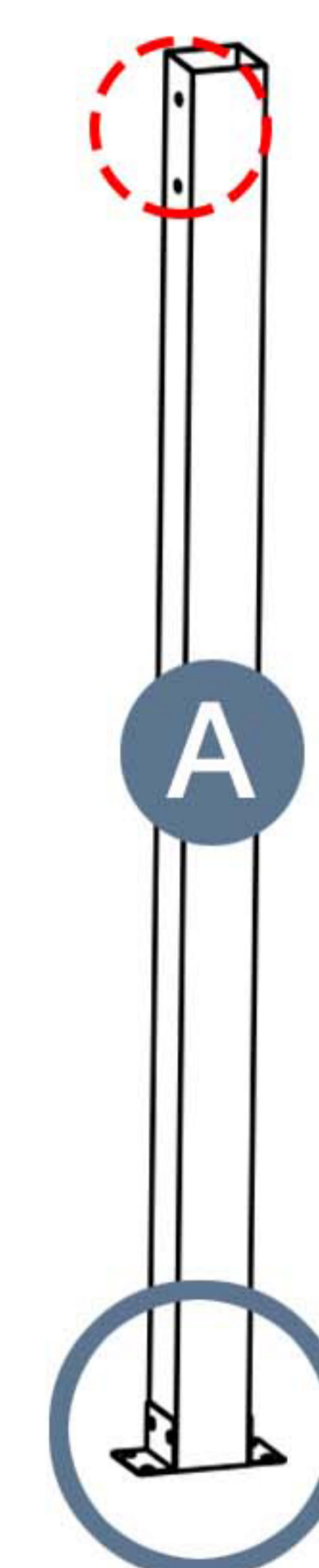
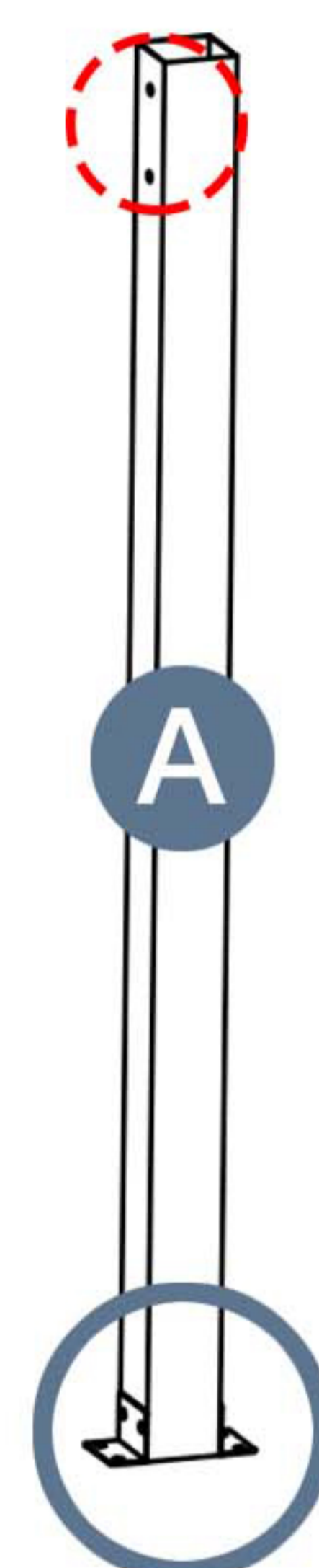
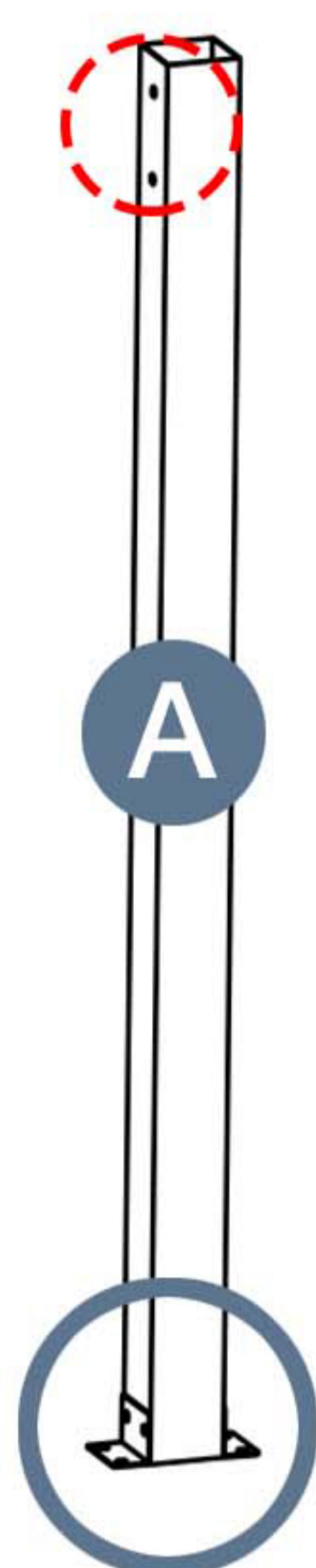
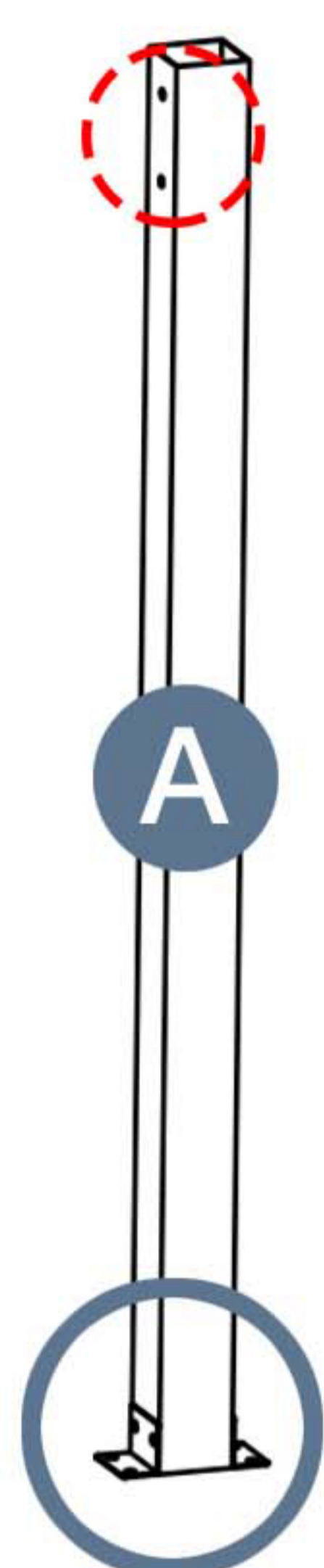


L 8pcs

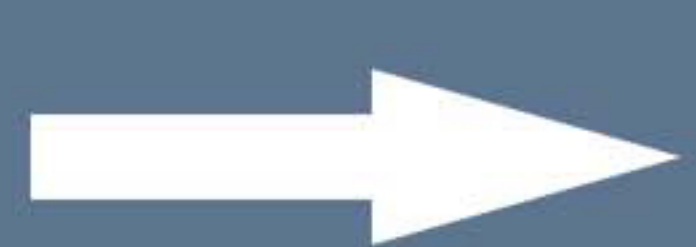


X1 16pcs

 Please note the orientation of the hole.



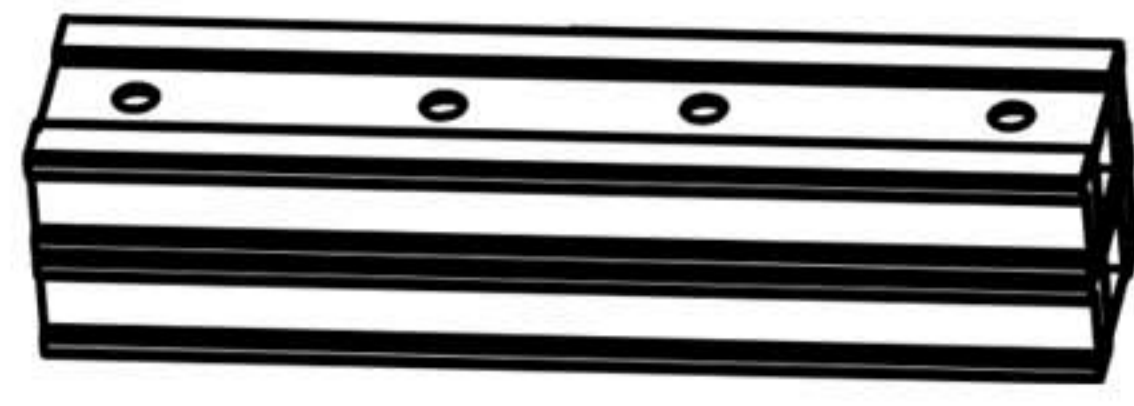
Please take care of the screws and contact the after-sales service if there is any problem with the installation or parts.



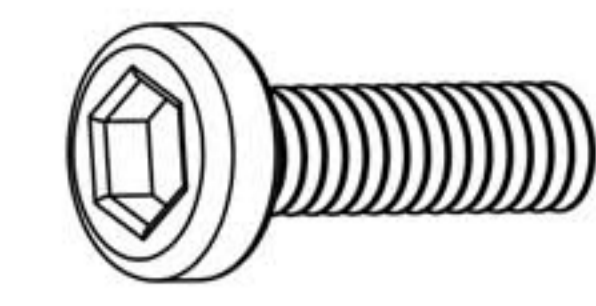
E-mail: cs.helper01@gmail.com

STEP 17

Parts required

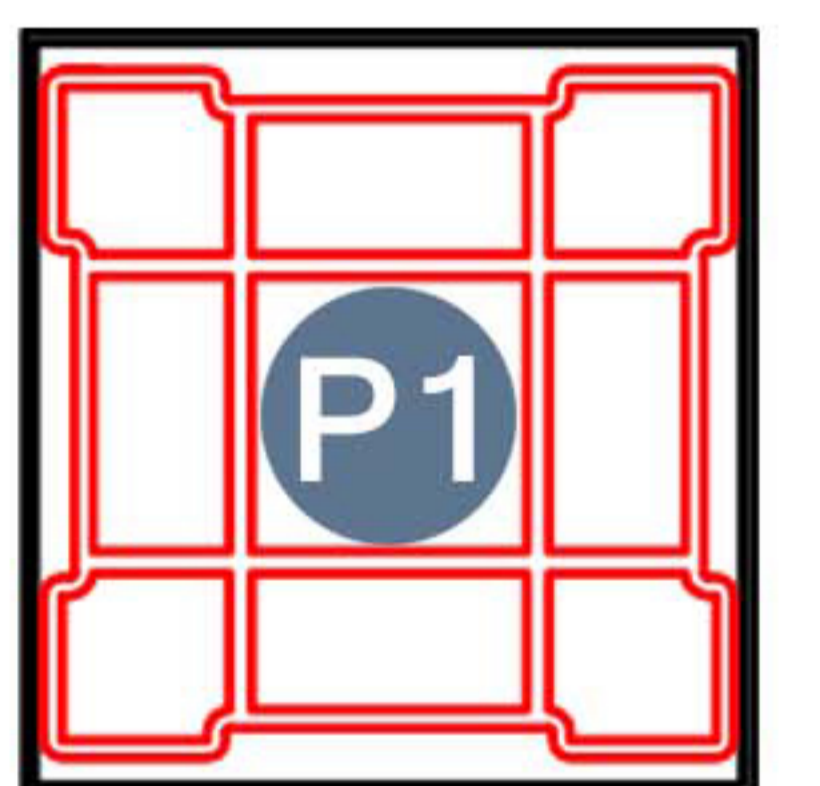
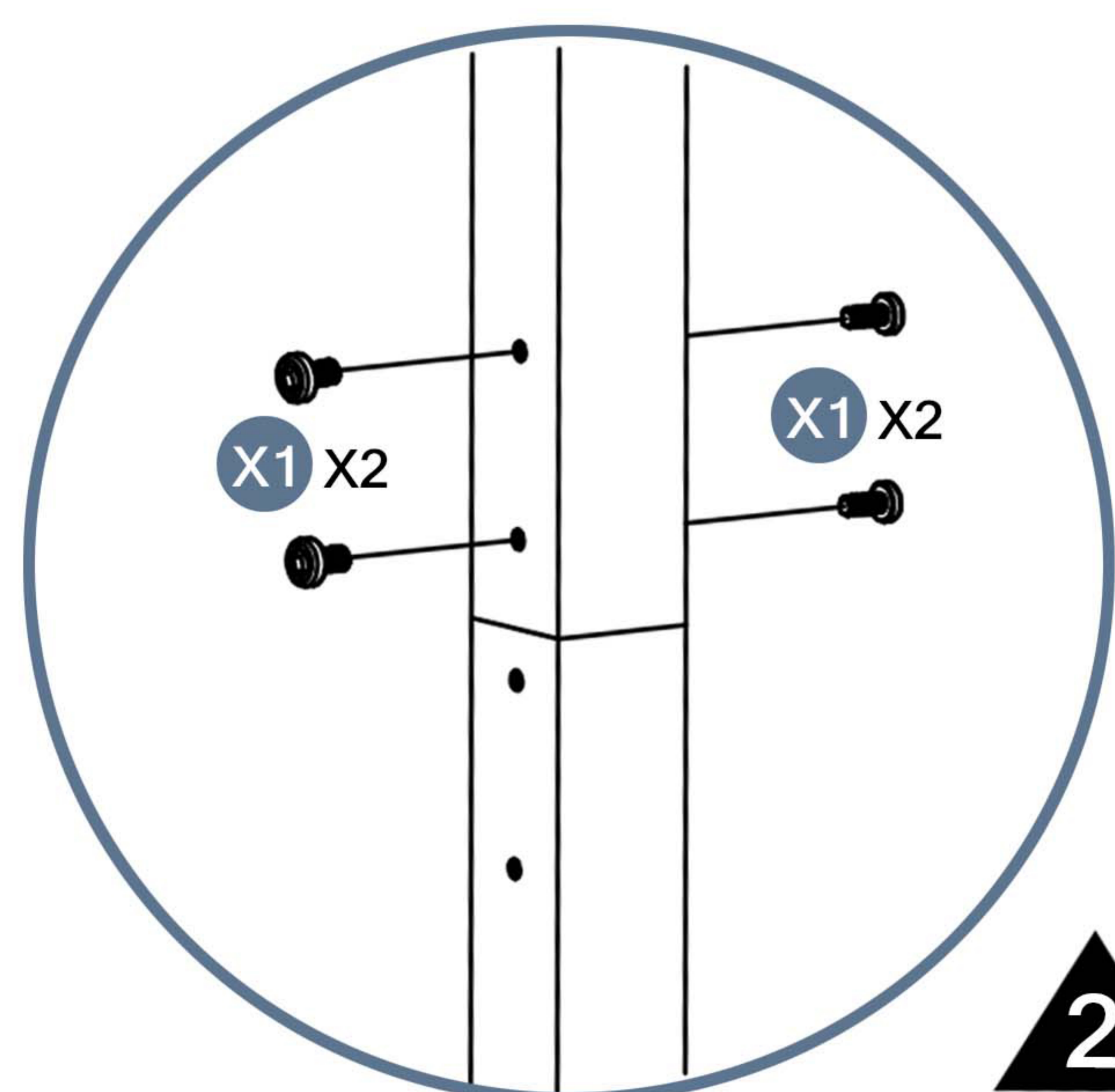
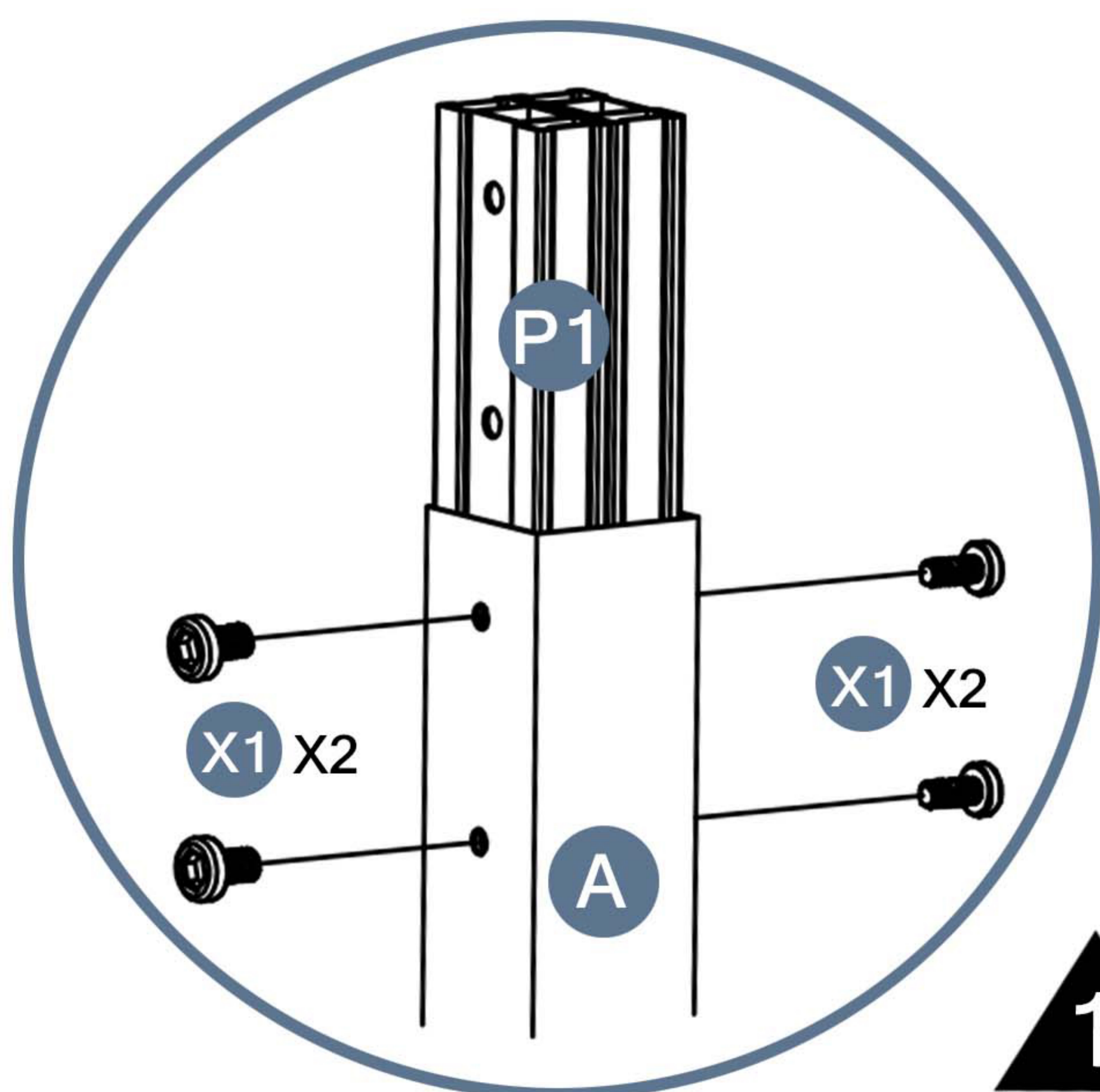
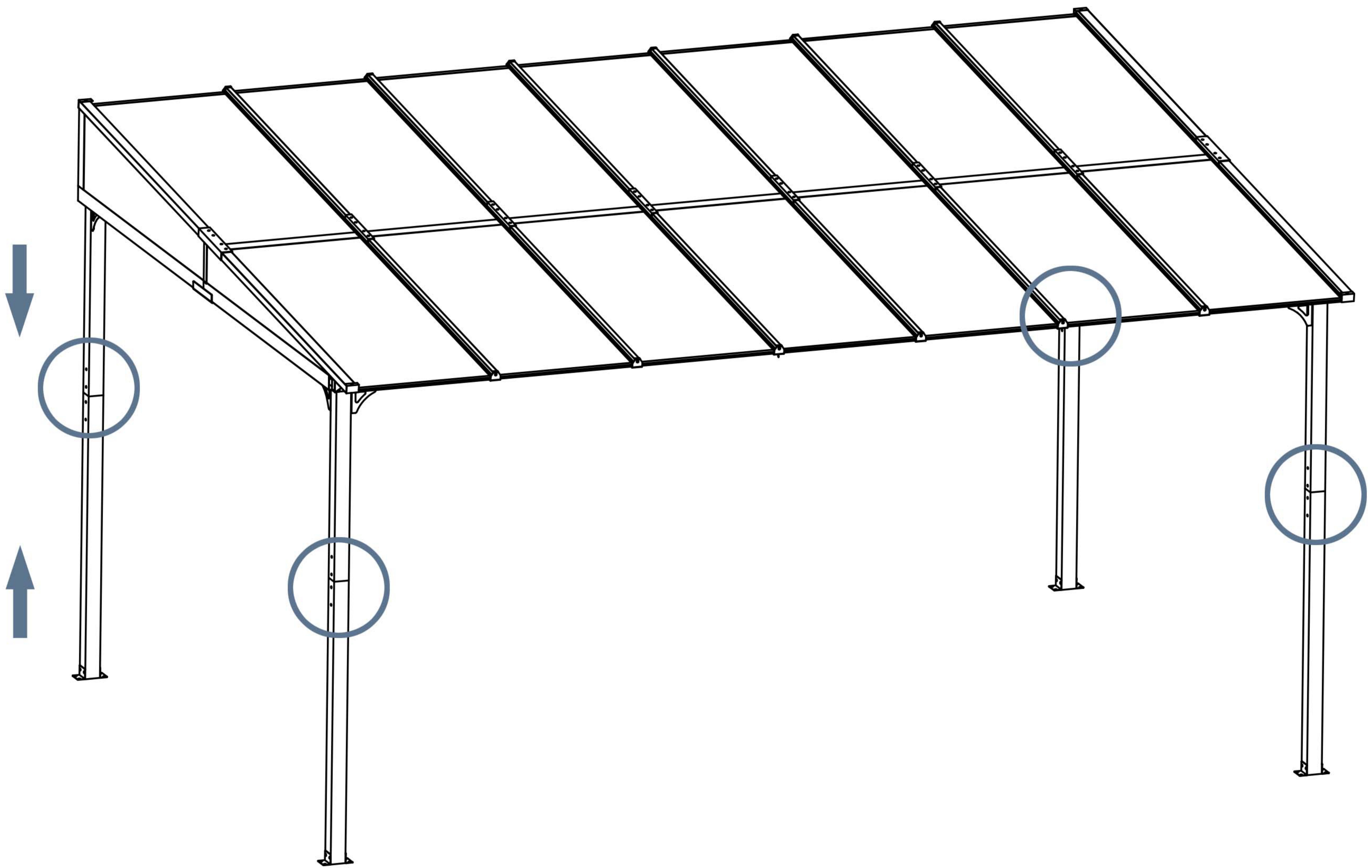


P1 4pcs



X1 32pcs

1 → 2

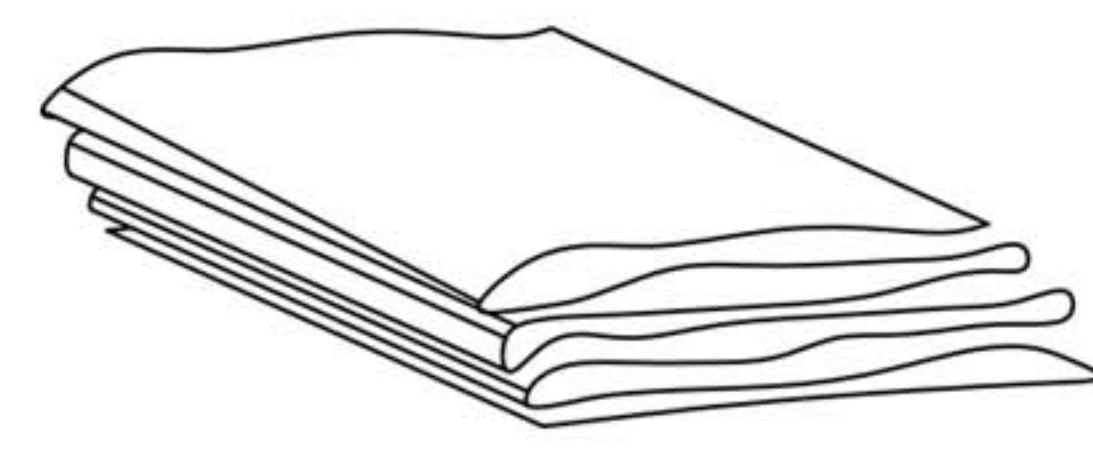


Please take care of the screws and contact the after-sales service if there is any problem with the installation or parts.

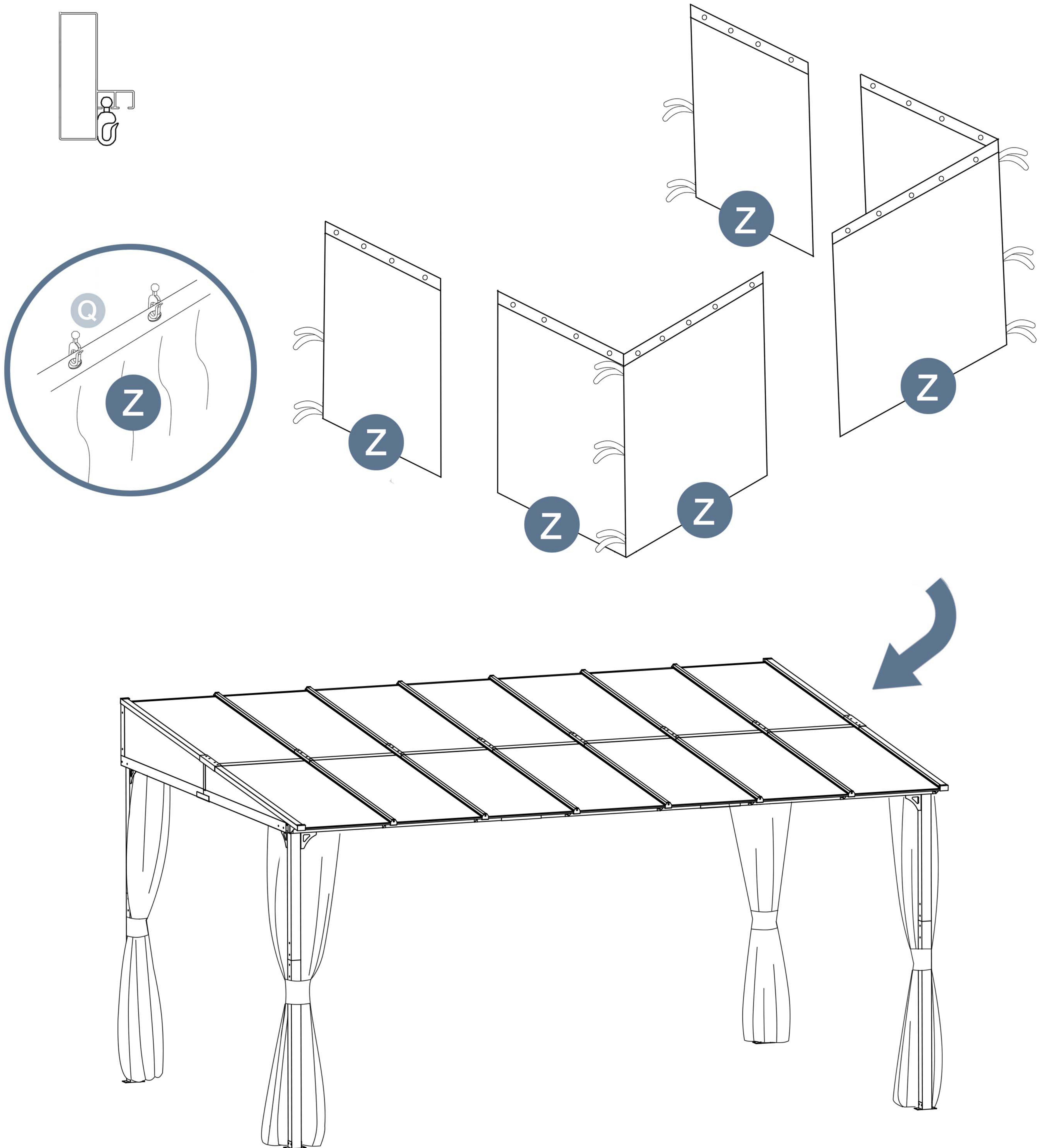
➔ ✉ E-mail: cs.helper01@gmail.com

STEP 18

Parts required



Z 1pcs

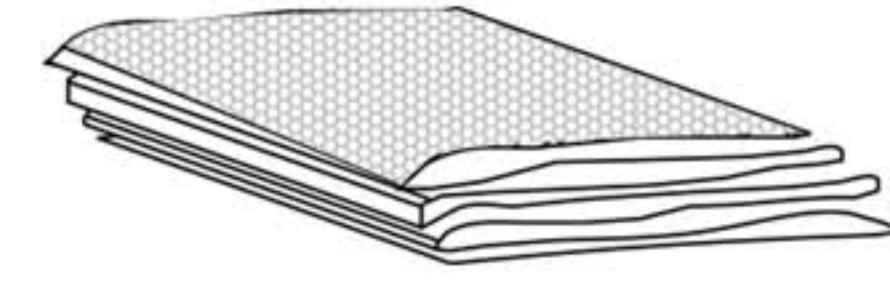


Please take care of the screws and contact the after-sales service if there is any problem with the installation or parts.

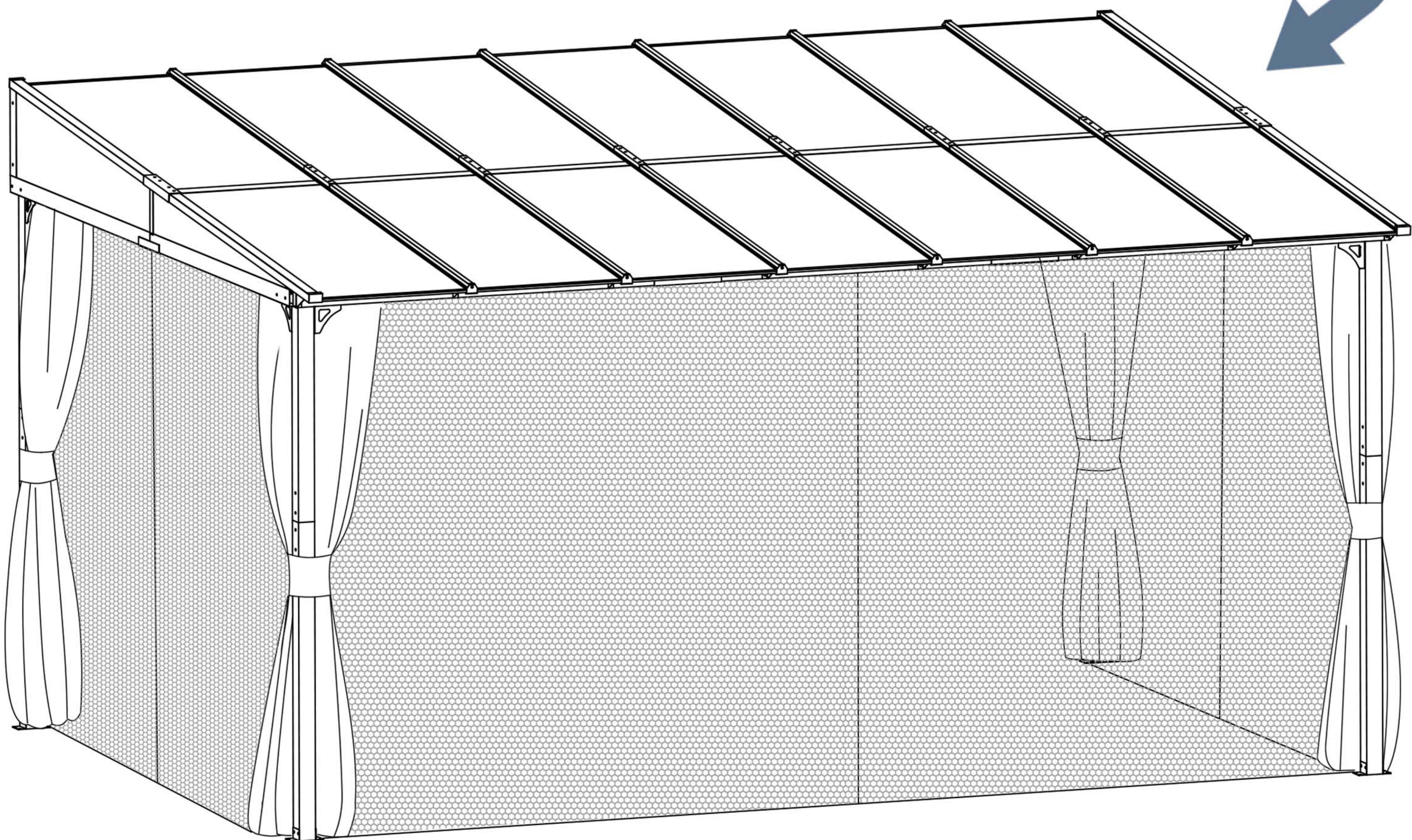
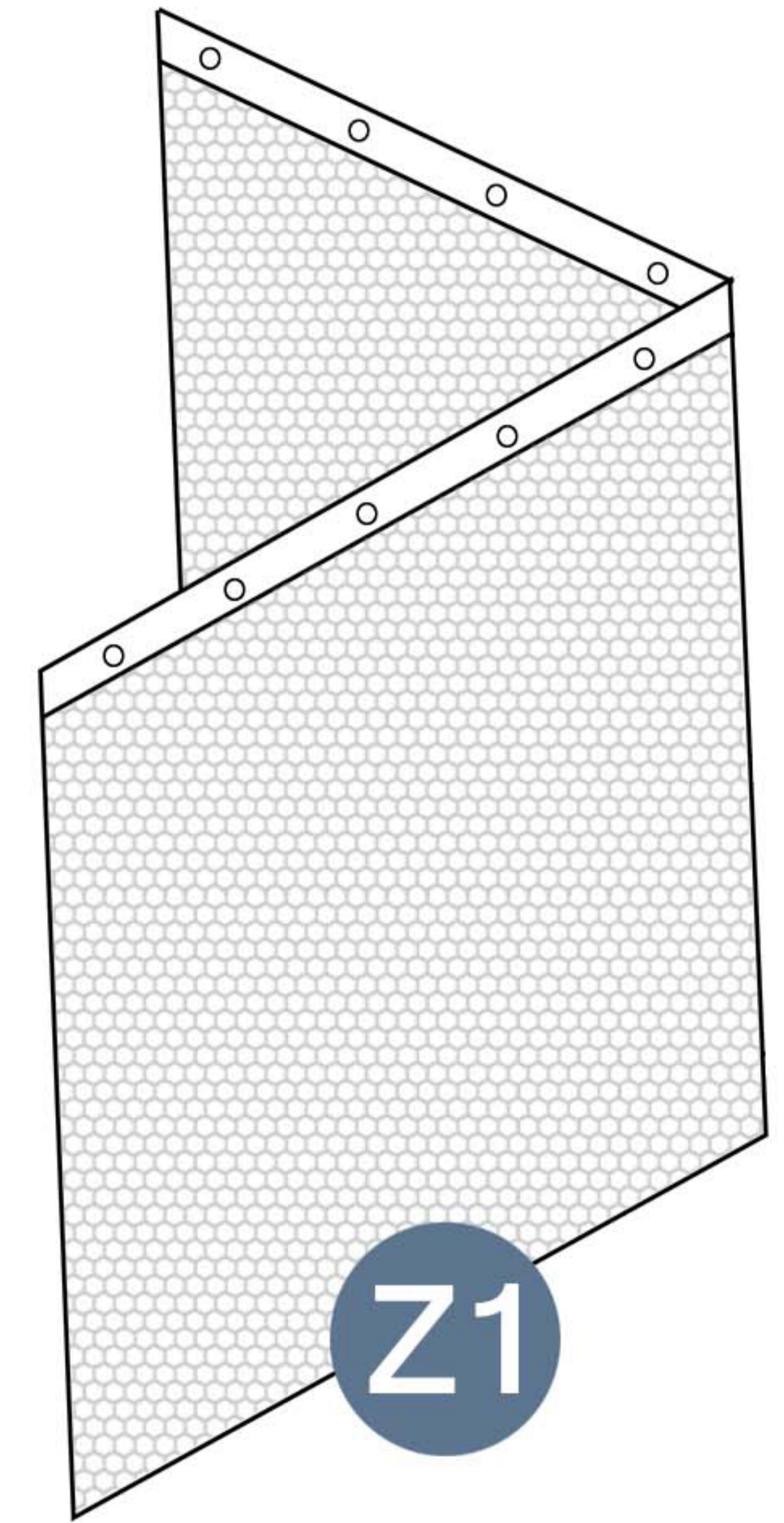
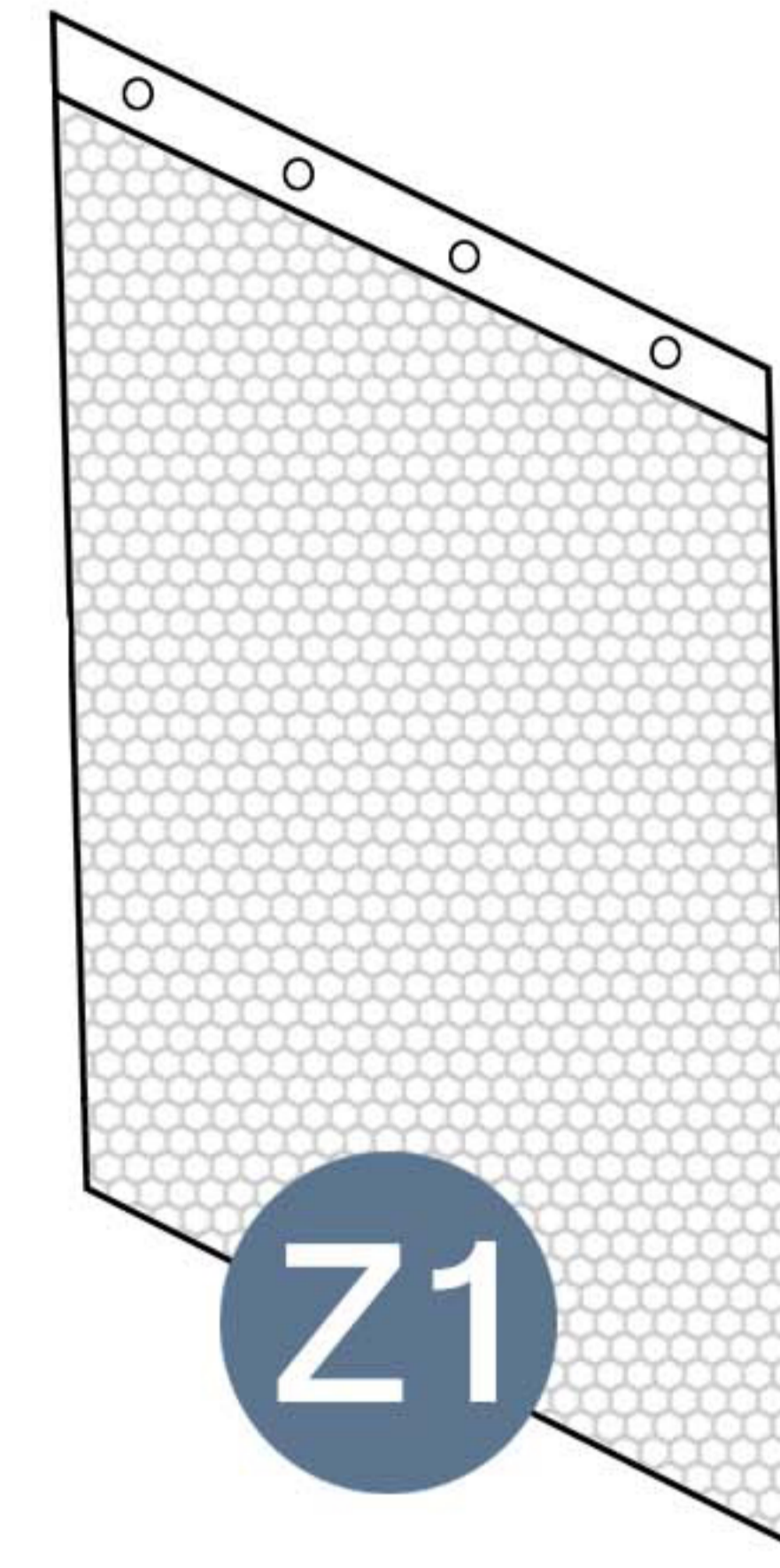
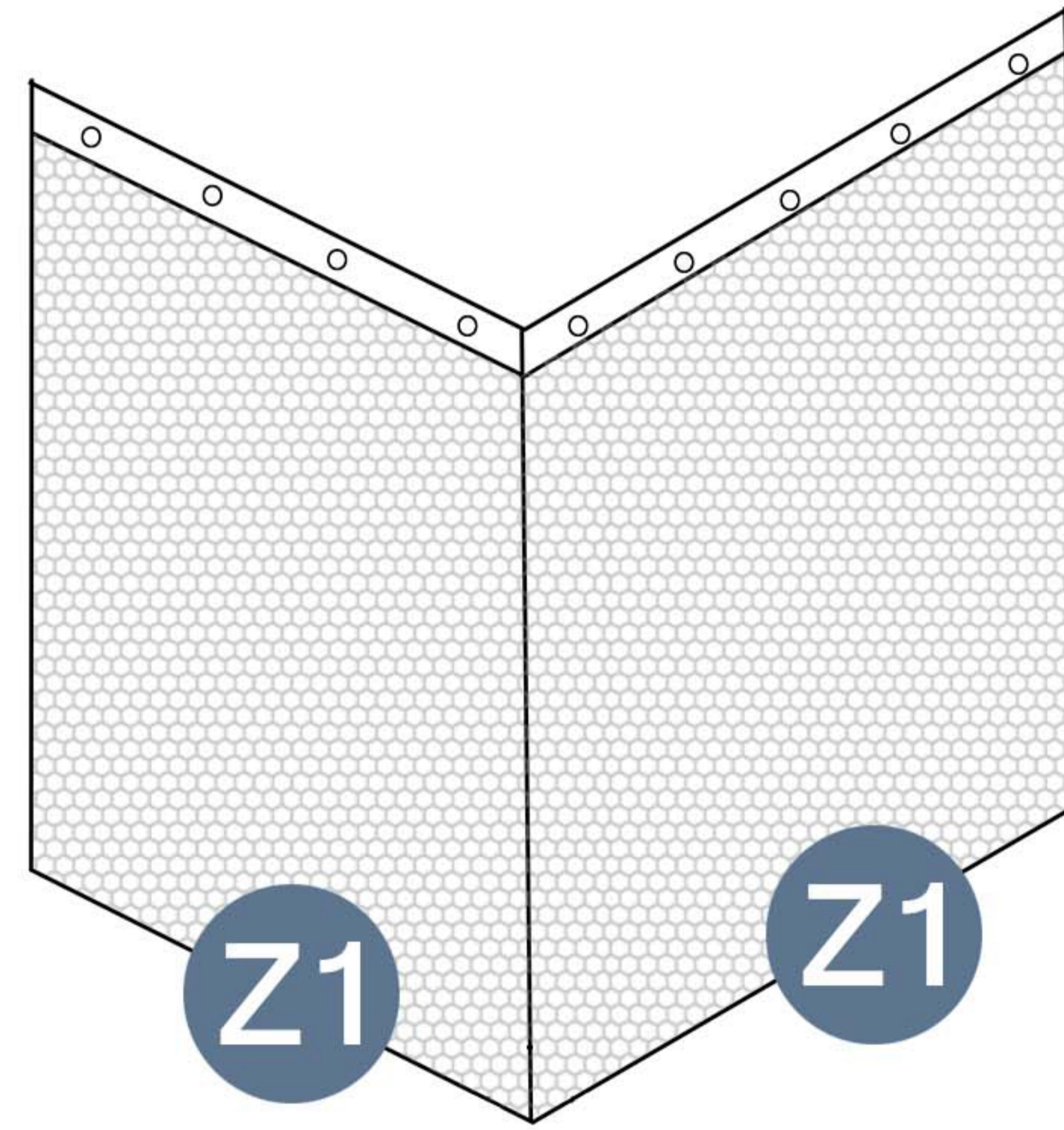
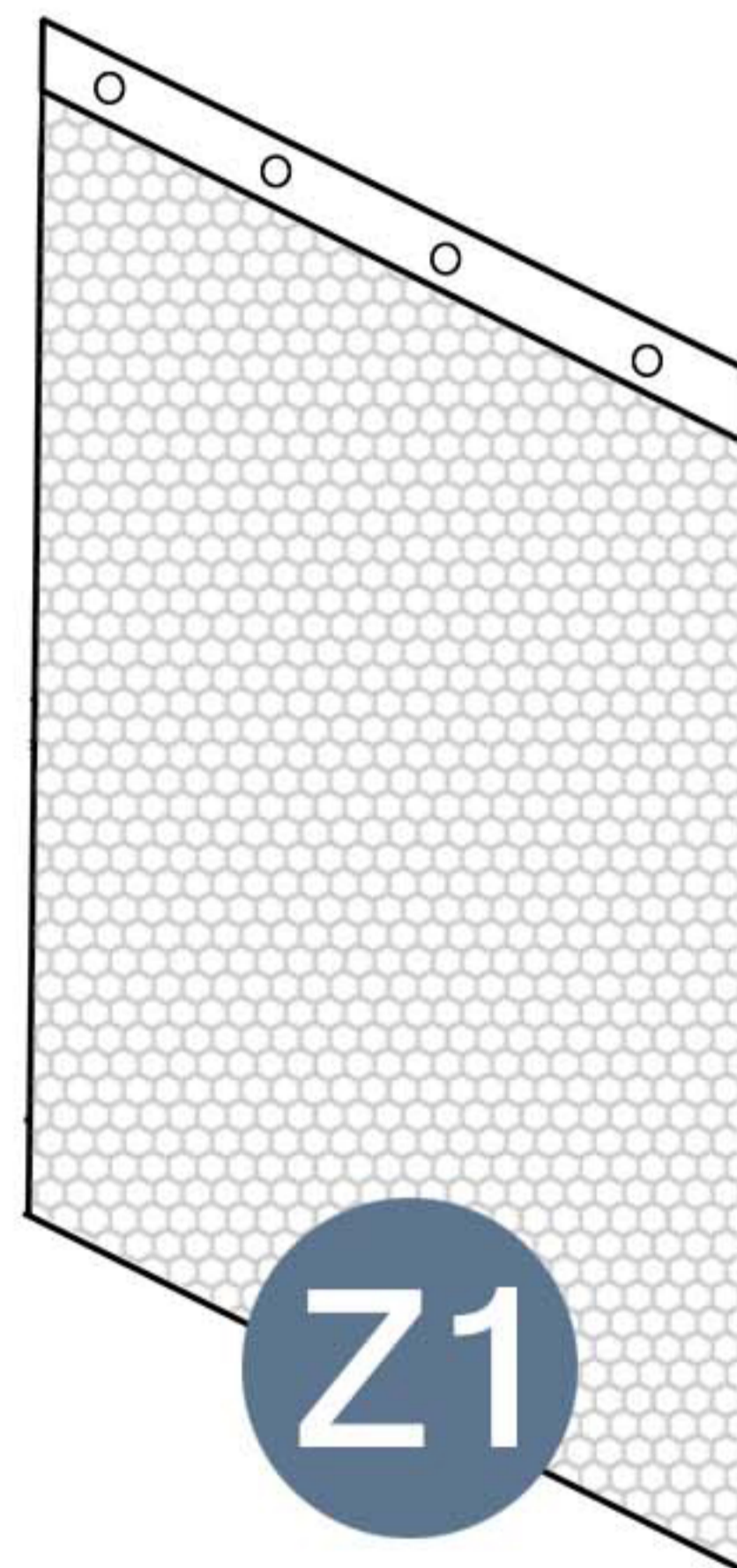
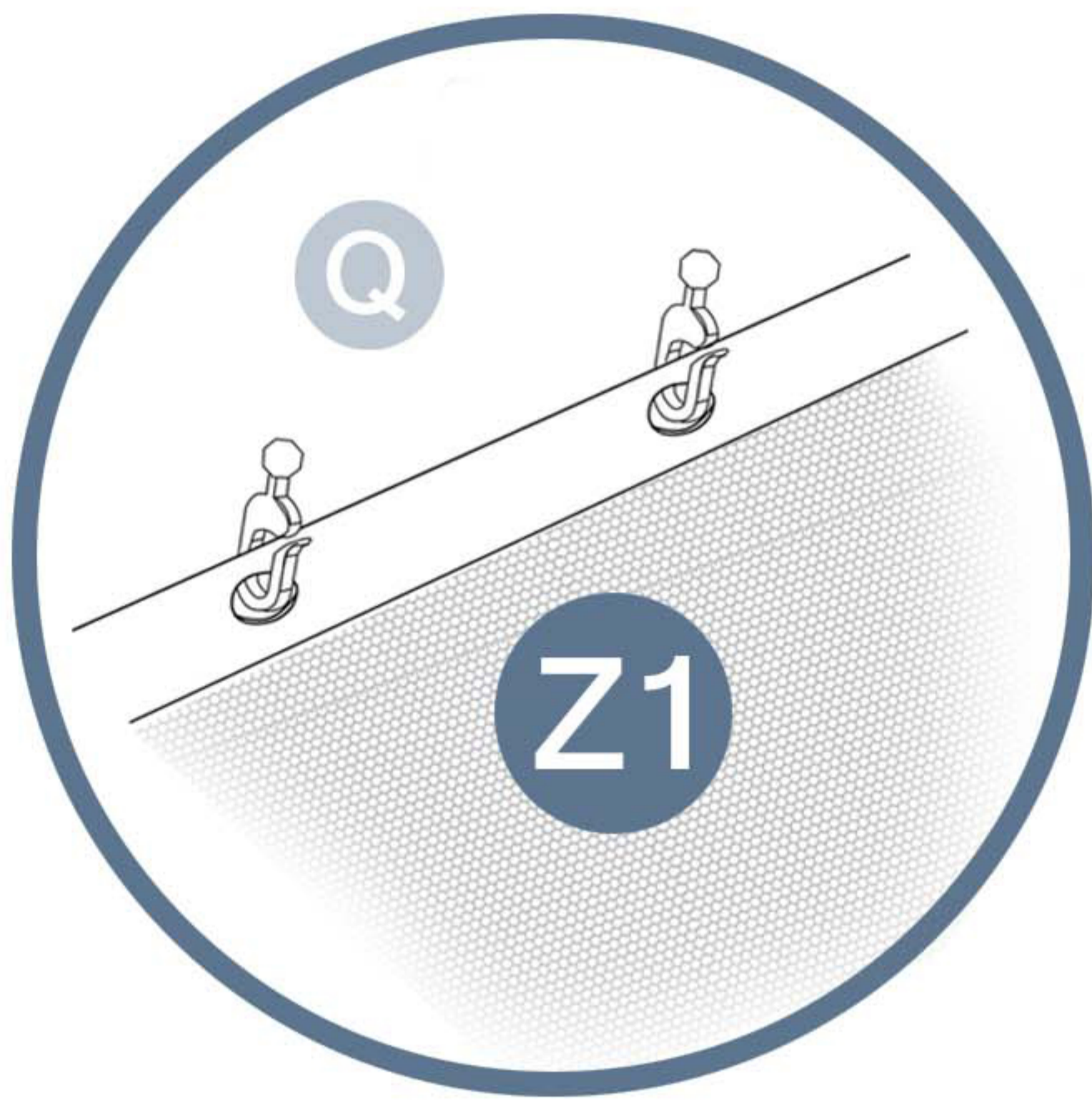
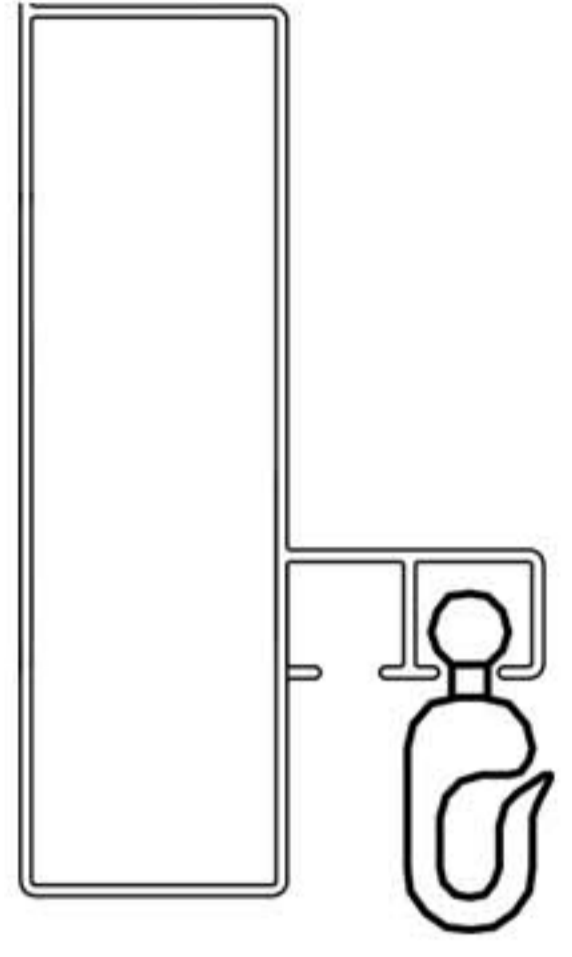
➔ ✉ E-mail: cs.helper01@gmail.com

STEP 19

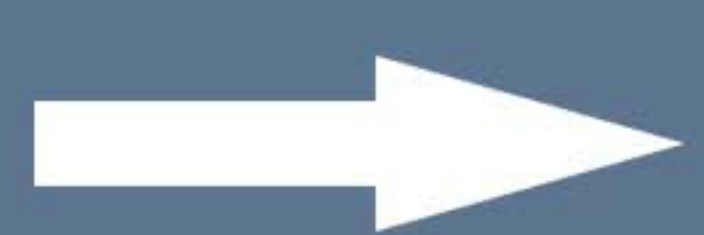
Parts required



Z1 1pcs



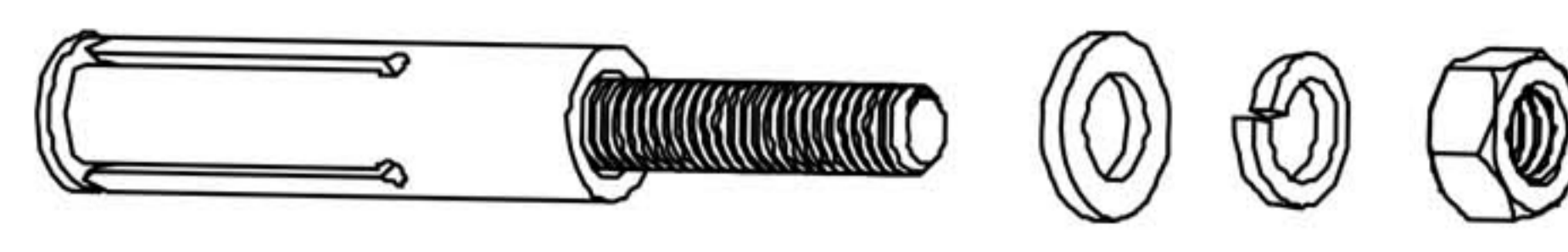
Please take care of the screws and contact the after-sales service if there is any problem with the installation or parts.



E-mail: cs.helper01@gmail.com

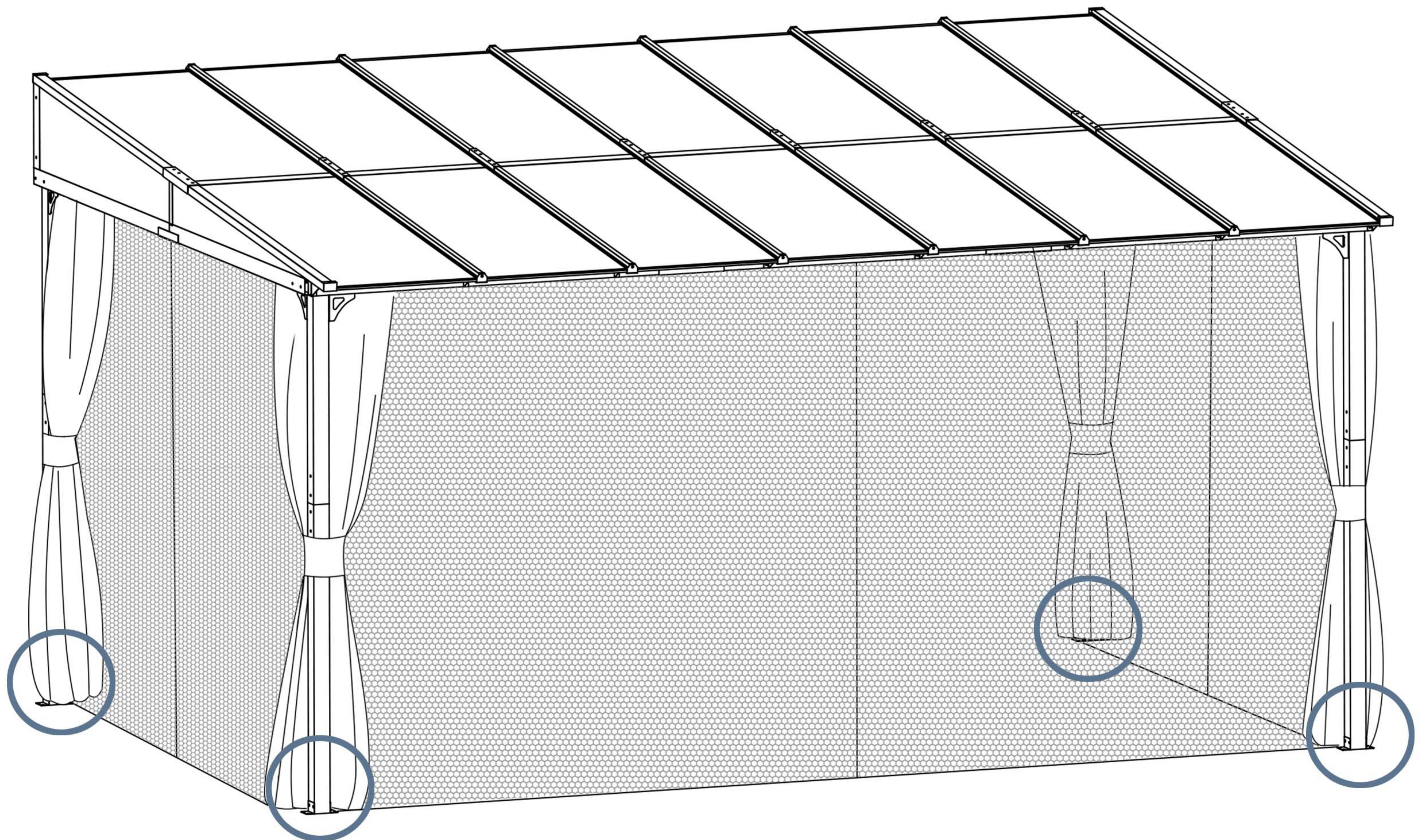
STEP 20

Parts required

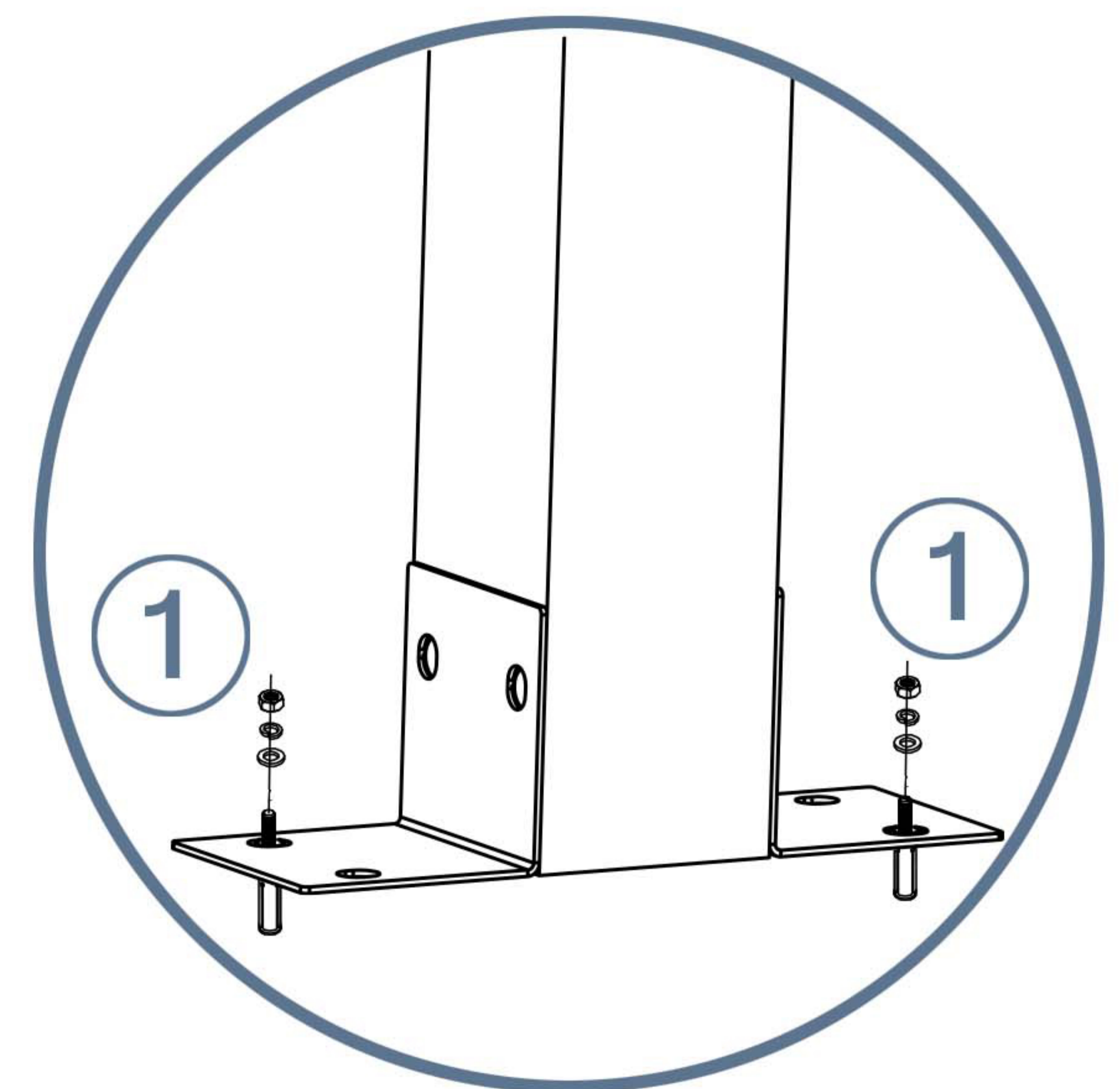


1 8pcs

To improve stability of gazebo, expansion screws very necessary. Expansion screws use for cement surfaces and have included in the package.



!!! For safety's stake, please check and make sure that all screws are tightened after all installation is complete.



Installation Completed

Please take care of the screws and contact the after-sales service if there is any problem with the installation or parts.

➔ ✉ E-mail: cs.helper01@gmail.com