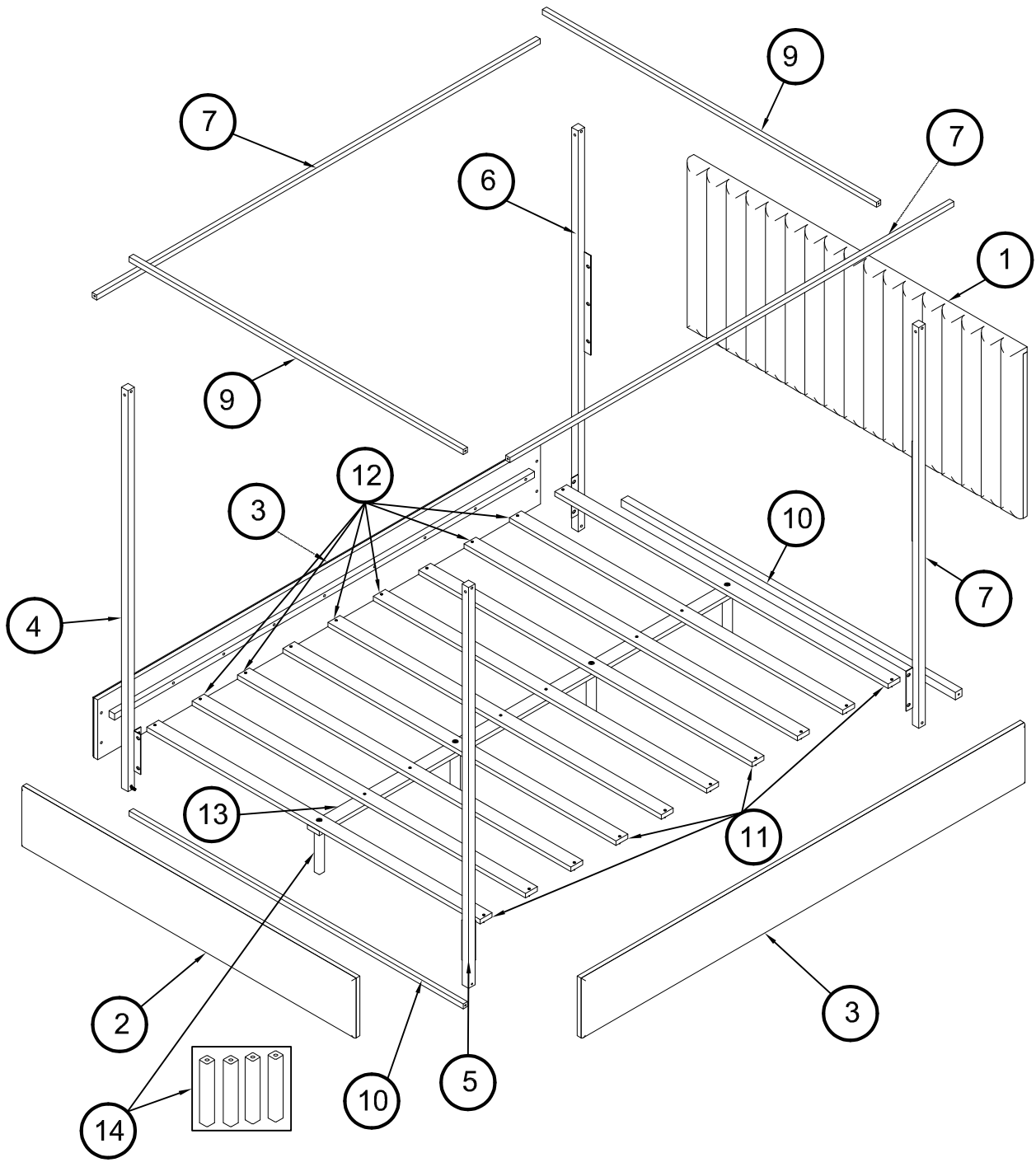


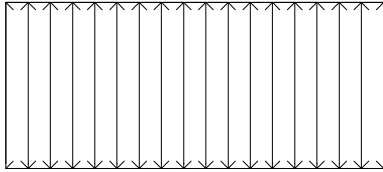
ASSEMBLY INSTRUCTIONS



PARTS

check that you've received
all parts listed below

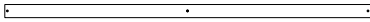
① (1PC)



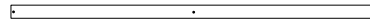
② (1PC)



⑫ (6PCS)



⑪ (4PCS)



④ (1PCS)



⑤ (1PC)



⑧ (2PCS)



⑨ (2PCS)



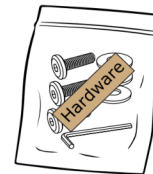
⑩ (2PCS)



⑭ (4PCS)



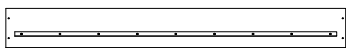
HARDWARE



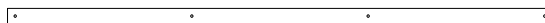
PARTS | check that you've received all parts listed below

BOX:2/2

③ (2PCS)




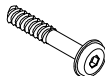
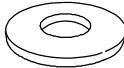
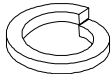

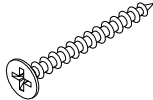
⑬ (1PC)



HARDWARE

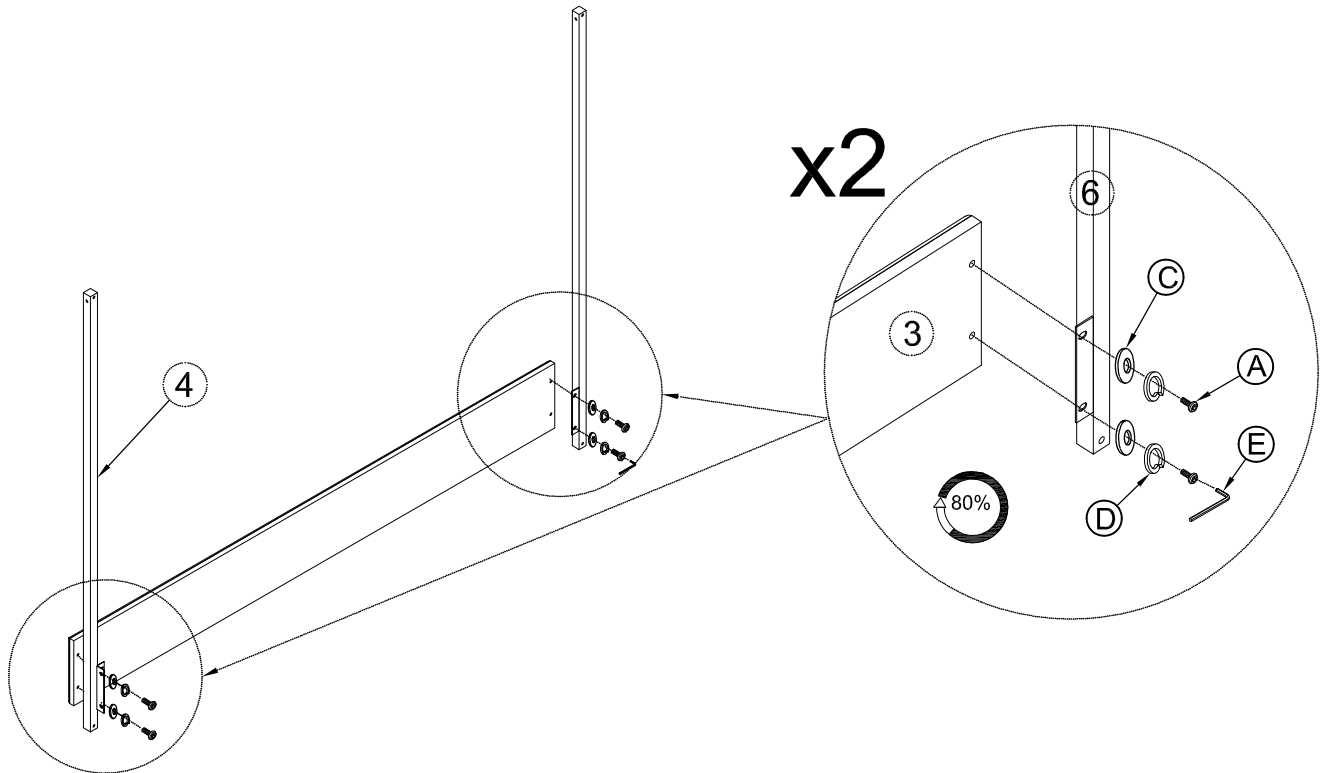
check that you've received
all parts listed below

Hardware List



NO	OUTLOOK	DESC	QTY
A		Bolts \varnothing $\frac{5}{16}$ " x 20 mm	14 pcs
B		Bolts \varnothing $\frac{5}{16}$ " x 50 mm	16 pcs
C		Plain washer \varnothing 19x1.5 mm	30 pcs
D		Spring washer \varnothing 13x1 mm	30 pcs
E		Allen key 80x30x4 mm	1 pc
F		Screws \varnothing 4x30 mm	26 pcs

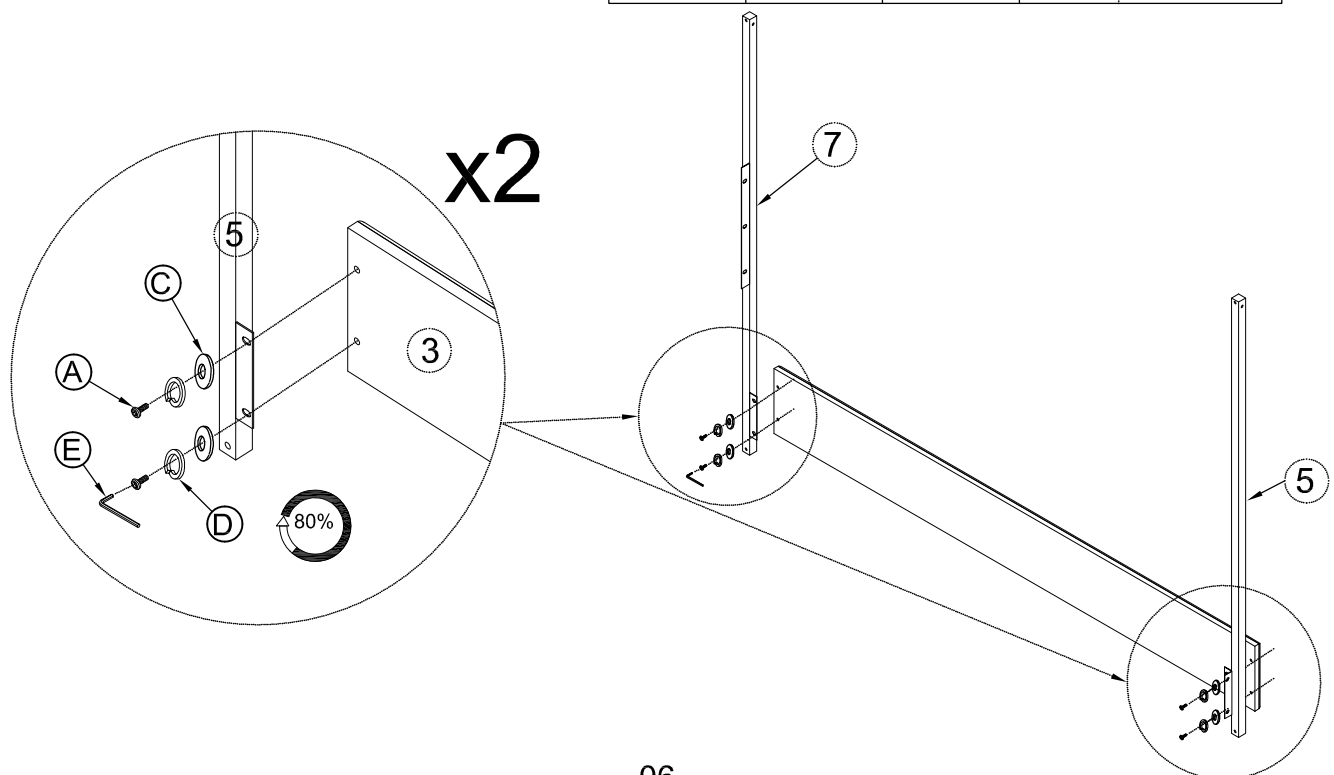
STEP 1

Ax4  ø7/6" x 20 mm	Cx4 	Dx4 	Ex1 	
---	--	--	--	--




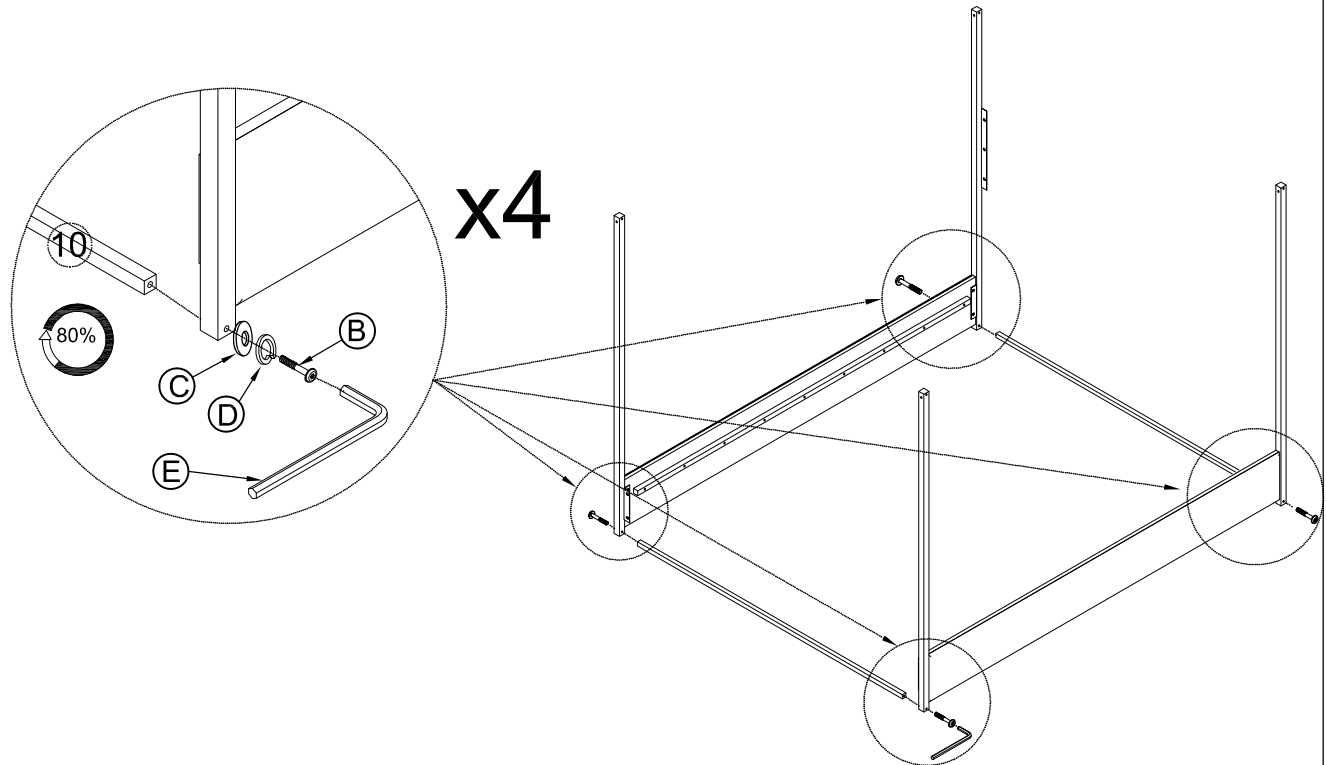
STEP 2

Ax4  ø7/6" x 20 mm	Cx4 	Dx4 	Ex1 	
---	--	--	--	--







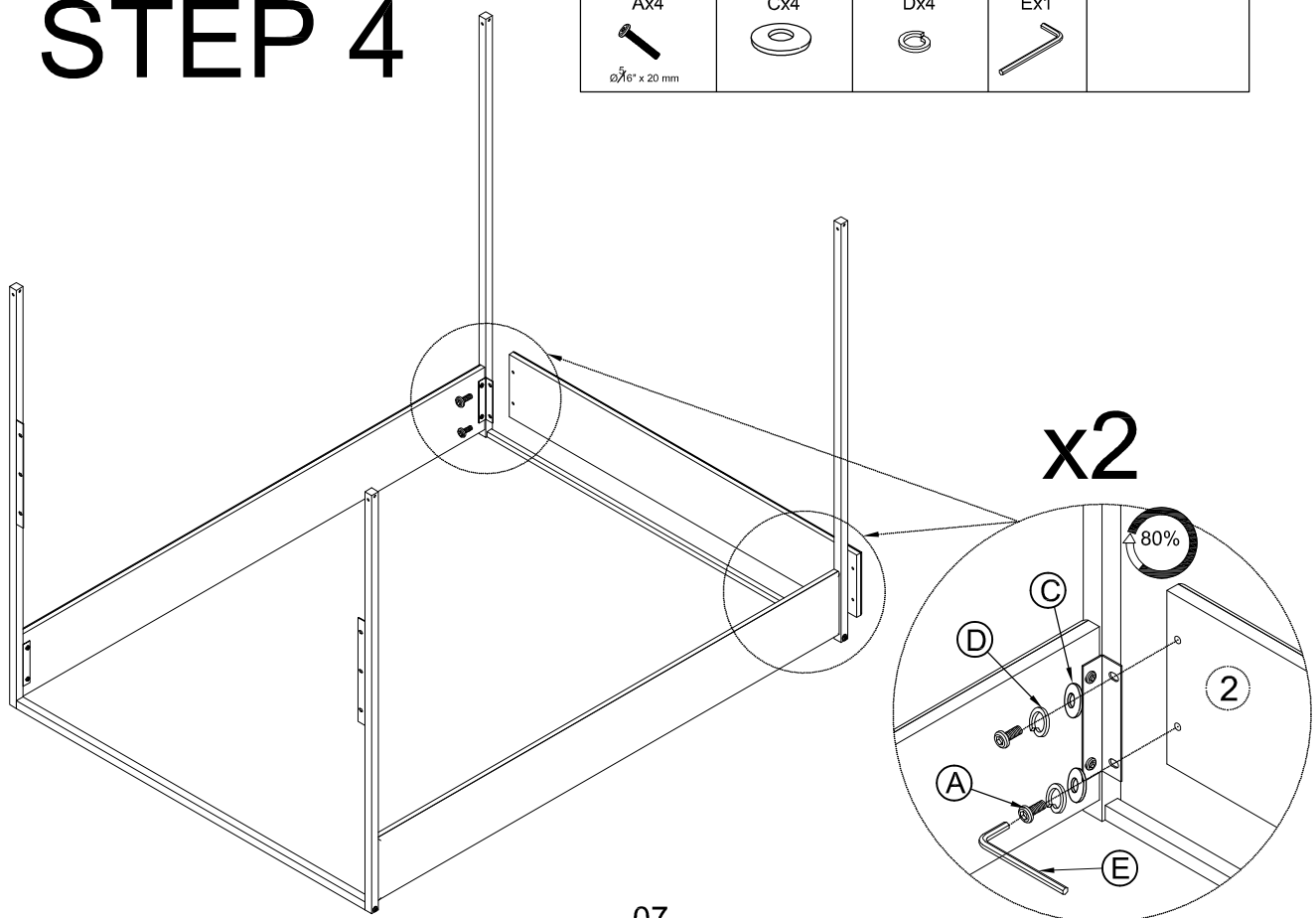
STEP 3

Bx4  ø7.6" x 50 mm	Cx4 	Dx4 	Ex1 	
---	--	--	--	--



STEP 4

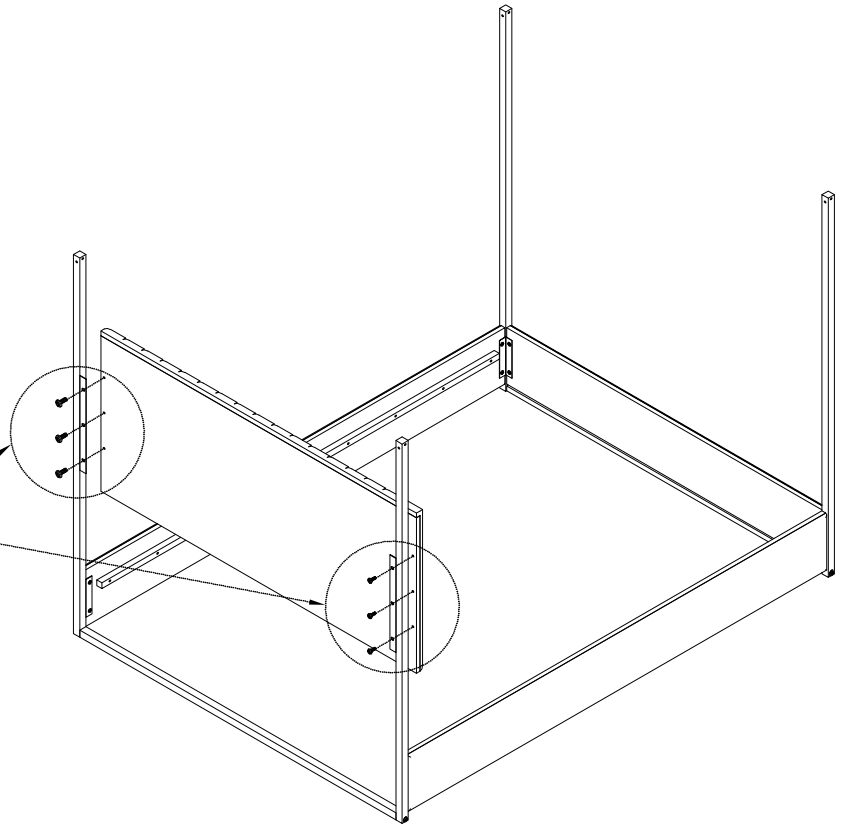
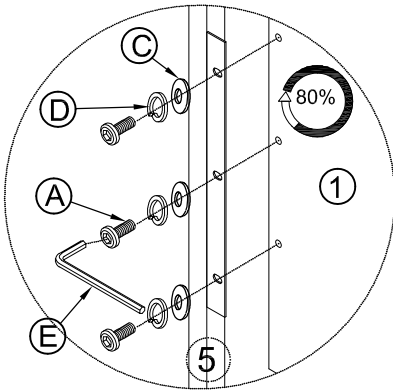
Ax4  ø7.6" x 20 mm	Cx4 	Dx4 	Ex1 	
---	--	--	--	--







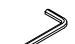
STEP 5

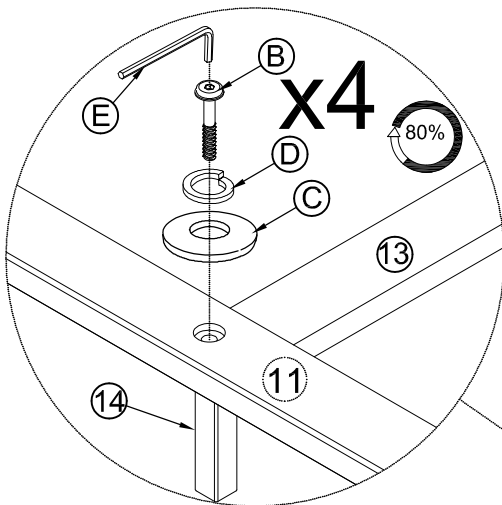
Ax6  Ø16" x 20 mm	Cx6 	Dx6 	Ex1 	
---	---	---	---	--

x2



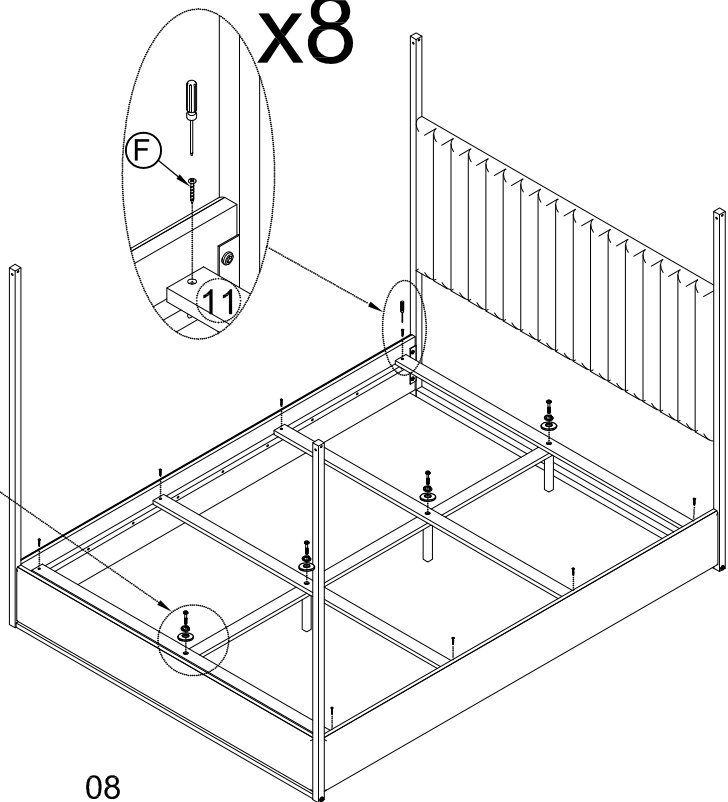
STEP 6

Bx4  Ø16" x 50 mm	Fx8  8 pcs	Cx4 	Dx4 	Ex1 
--	---	--	--	--



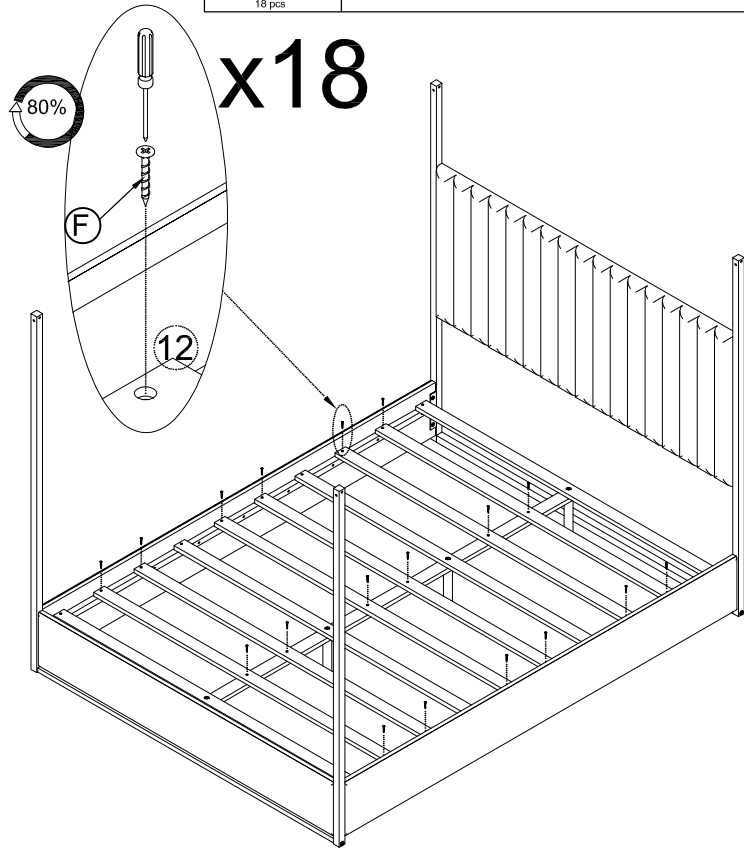
x4

x8







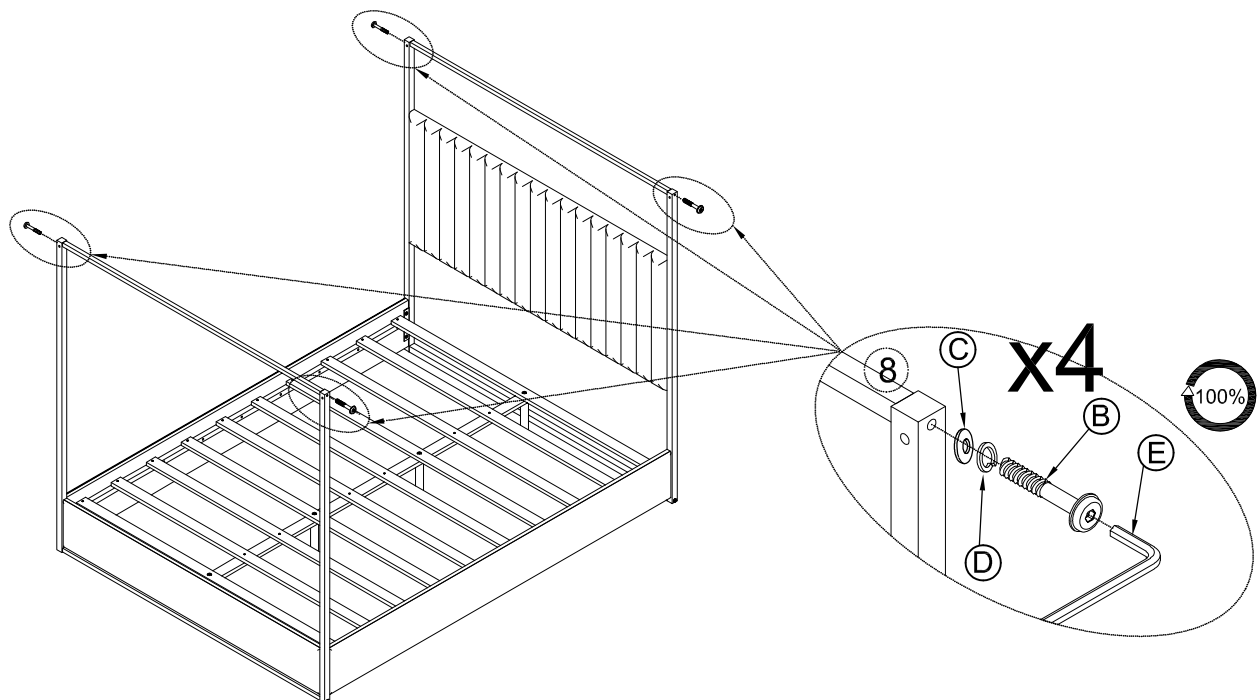
STEP 7

Fx18  18 pcs	
---	--




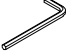


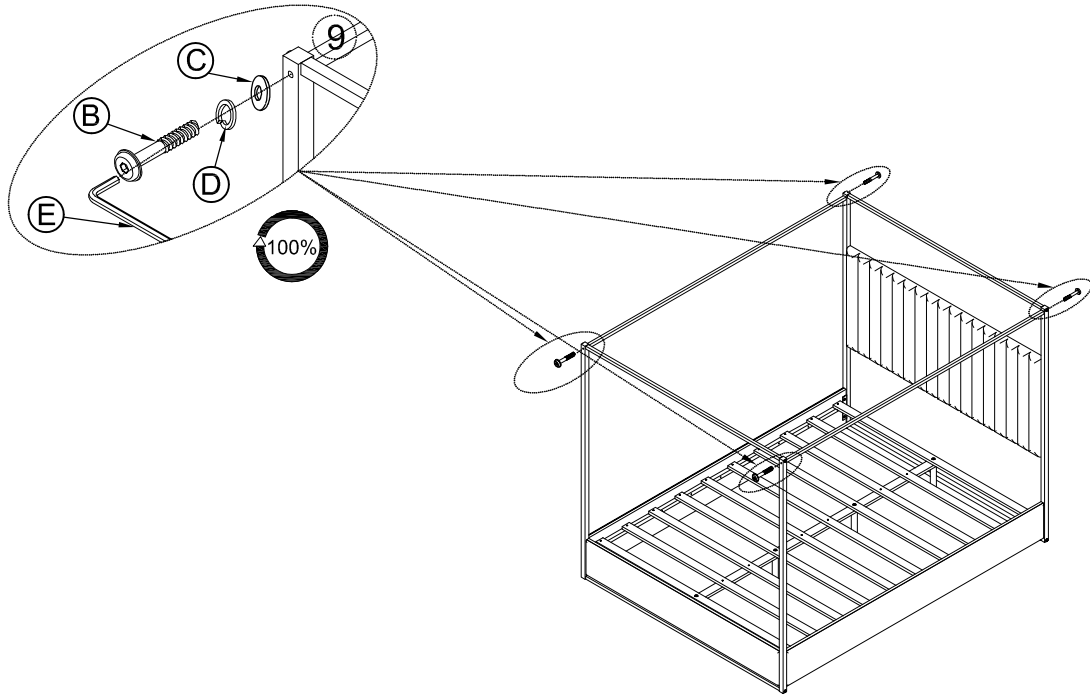
STEP 8

Bx4  Ø7.6" x 20 mm	Cx4 	Dx4 	Ex1 	
---	--	--	--	--



STEP 9

Bx4  Ø 7.6" x 50 mm	Cx4 	Dx4 	Ex1 	
--	--	--	--	--



finish

