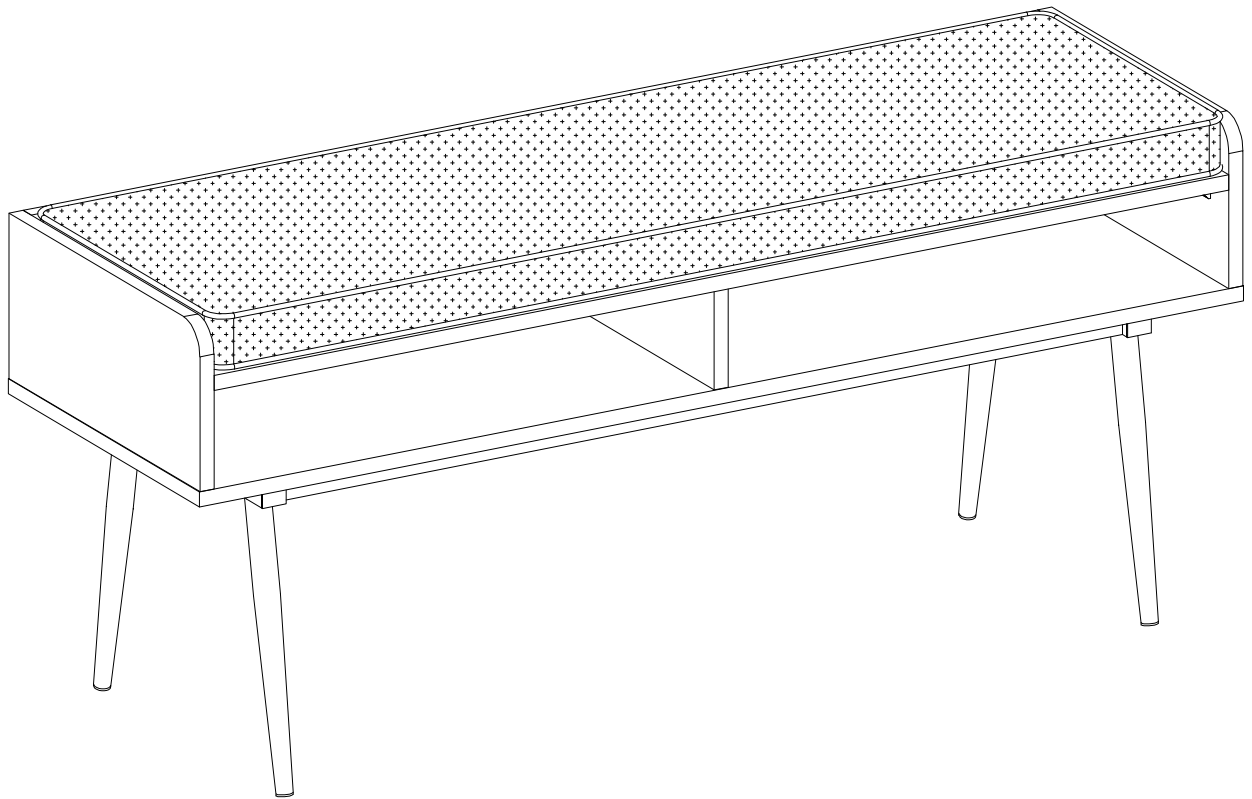
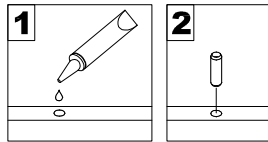


Assembly Instructions

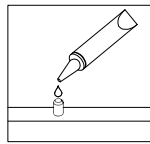


General Assembly Guidelines

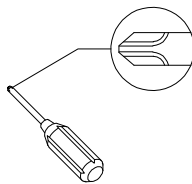
- I. Ensure that all parts and hardware are available before beginning assembly.
- II. Follow each step carefully to ensure the proper assembly of this product.
- III. Two people are recommended for ease in the assembly of this product.
- IV. The three main types of hardware used to assemble this product are: wood dowels, screws and bolts.
- V. The provided glue is to secure wood dowels in place. When first inserting dowels, locate the appropriate hole for the dowel, place a small amount of glue in the hole and insert the dowel. Wipe away excess glue immediately.



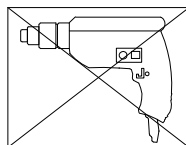
In future assembly steps when dowels are necessary to attach assembly parts together, place a small amount of glue on the end of the dowel before attaching parts together. Wipe away excess glue immediately.



- VI. A Phillips head screwdriver is required for the assembly of this product .

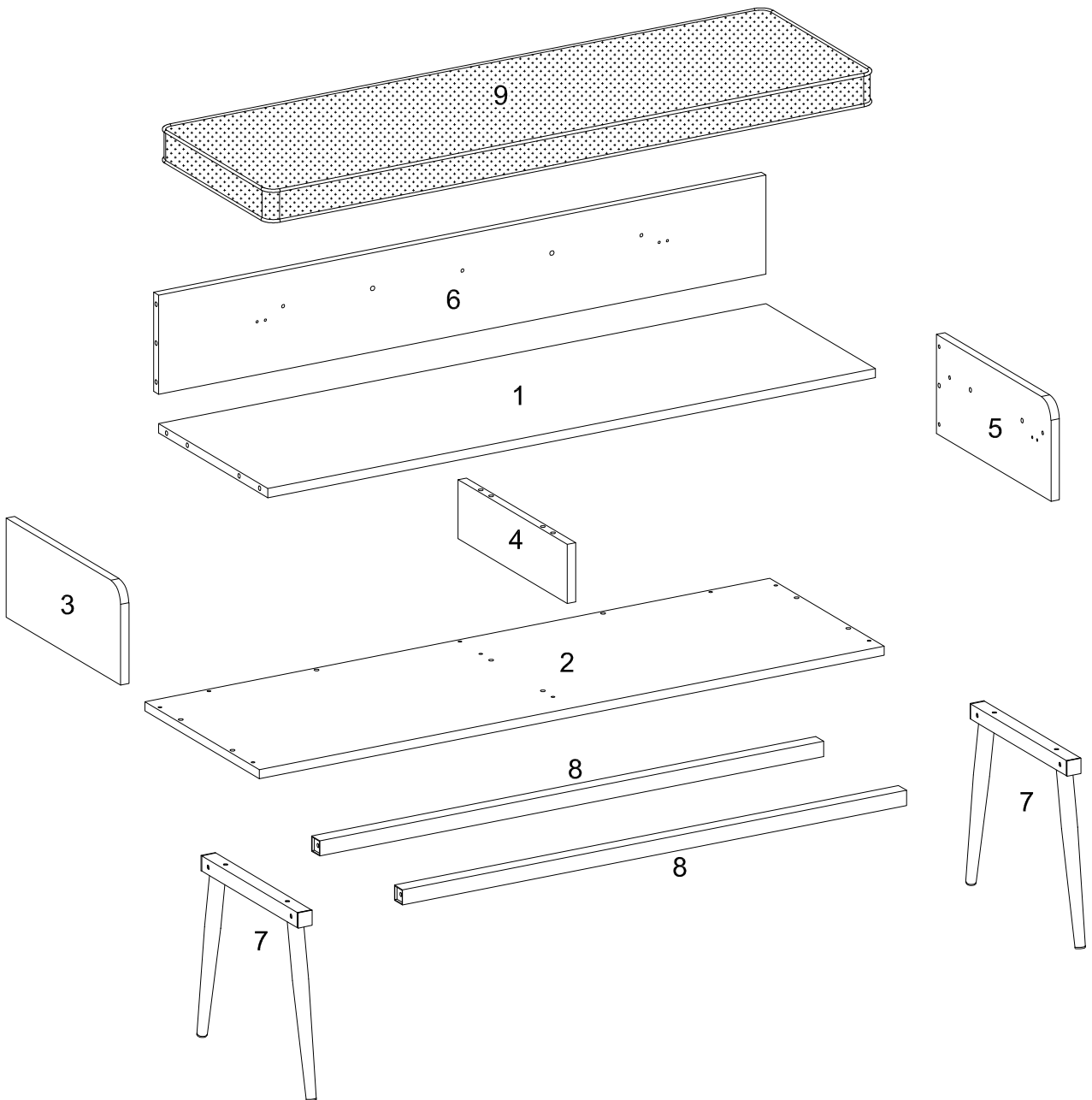


- VII. Power tools should not be used to assemble this product.


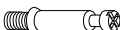


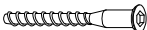

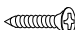

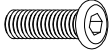




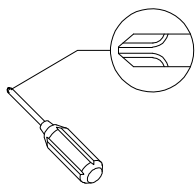
- VIII. Drill may be needed for securing product to wall.

Parts List



Hardware List

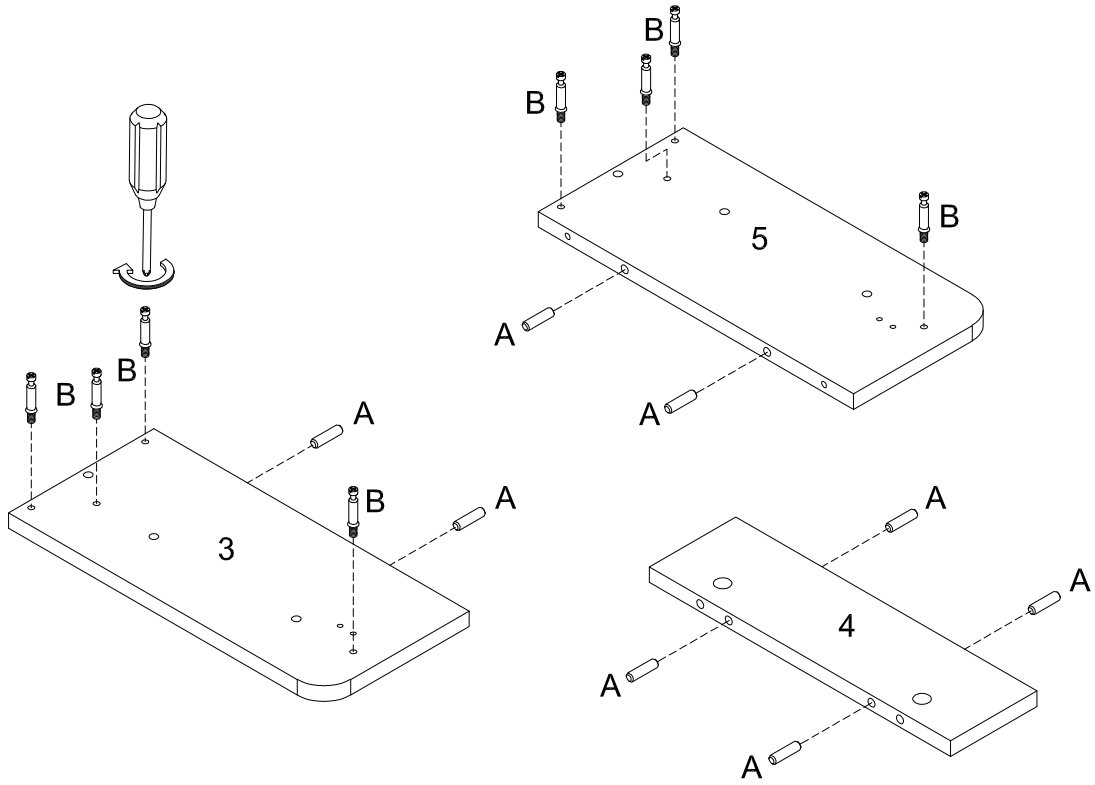
A		Ø8x30mm	Wooden dowel	18 pcs
B		Ø6x35mm	Cam bolt	13 pcs
C		Ø15x11mm	Cam lock	13 pcs
D		Ø30mm	Sticker	13 pcs
E		Ø6x50mm	Screw	9 pcs
F			Plastic wedge	4 pcs
G		Ø4x12mm	Screw	16 pcs
H		M6x45mm	Bolt	4 pcs
J		M6x35mm	Bolt	4 pcs
K		4mm	Hex Key	1 pc
L			Glue tube	1 pc



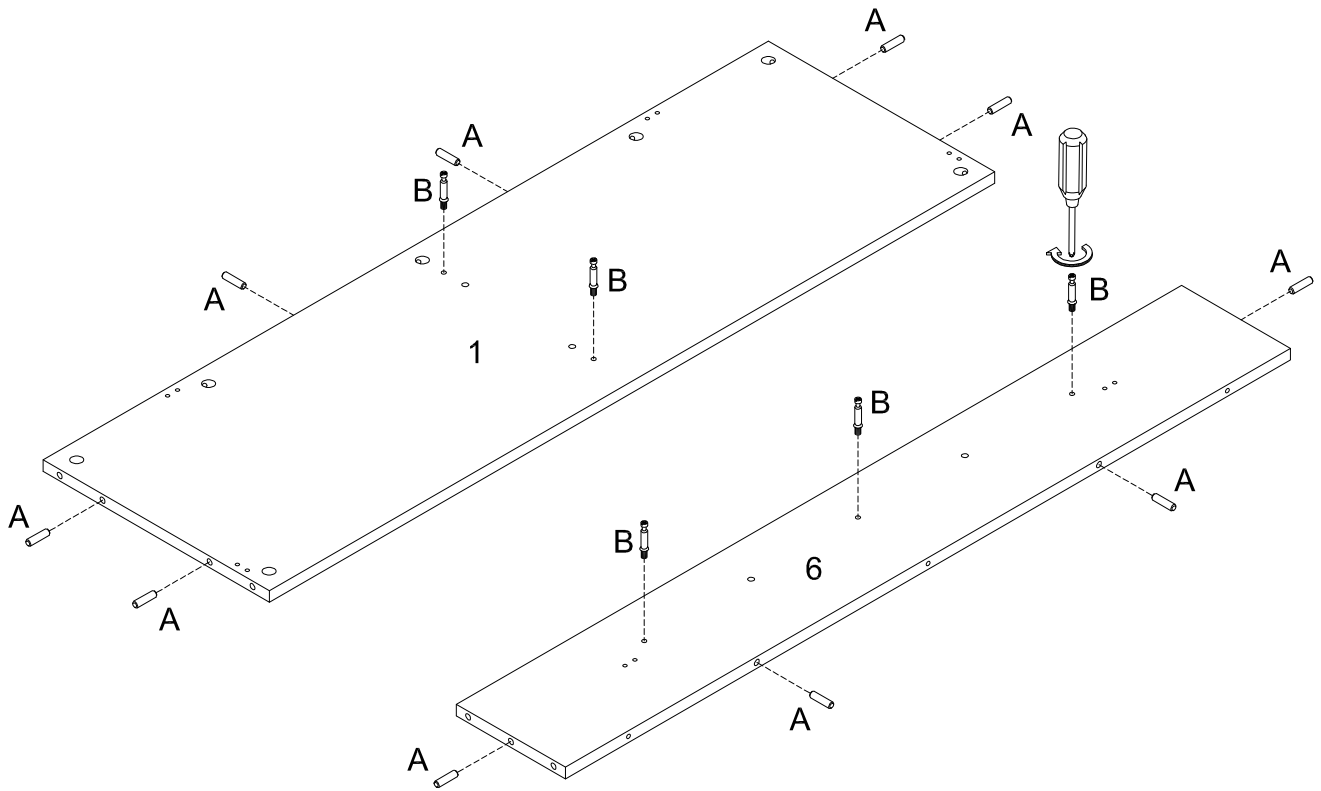
Philips head screwdriver required for assembly
(not included)

*The hardware quantities listed above are required for proper assembly.
Some extra hardware may also have been included.*

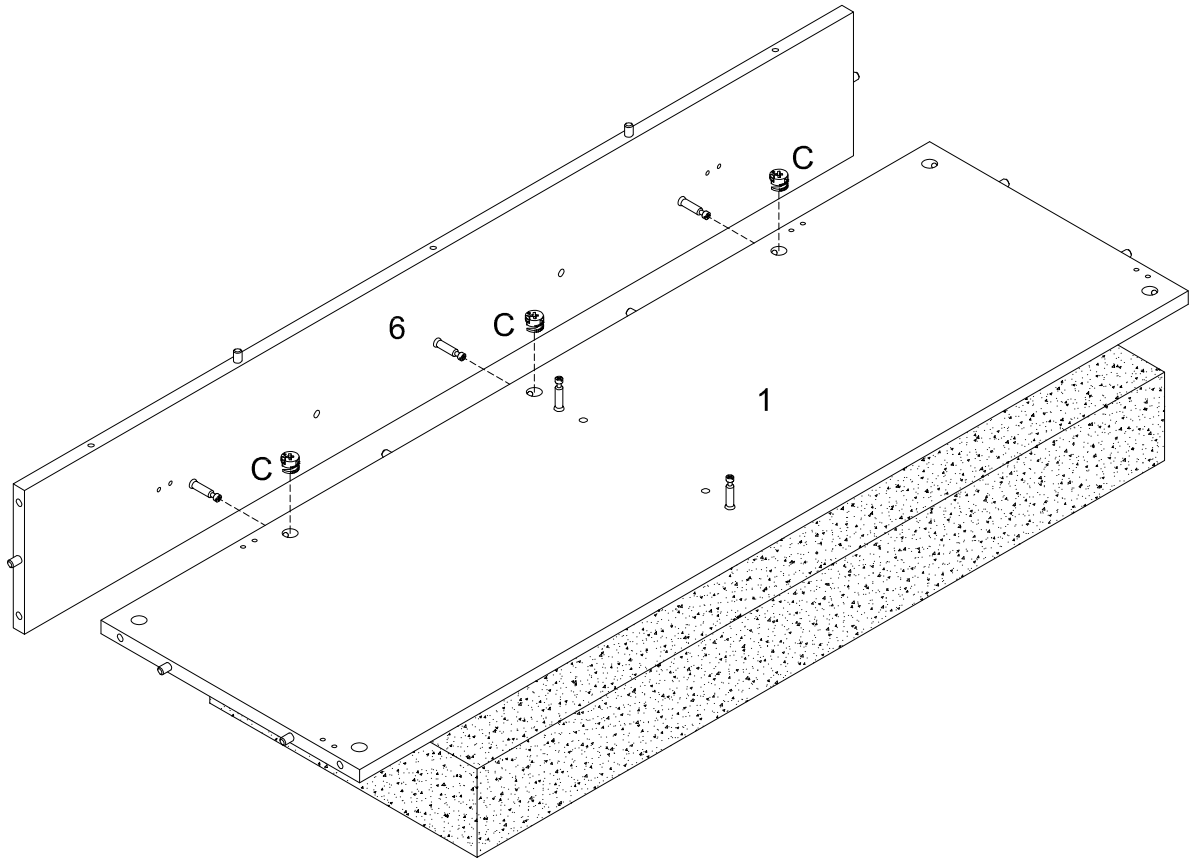
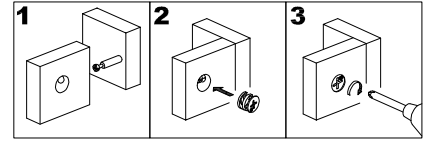
Step 1



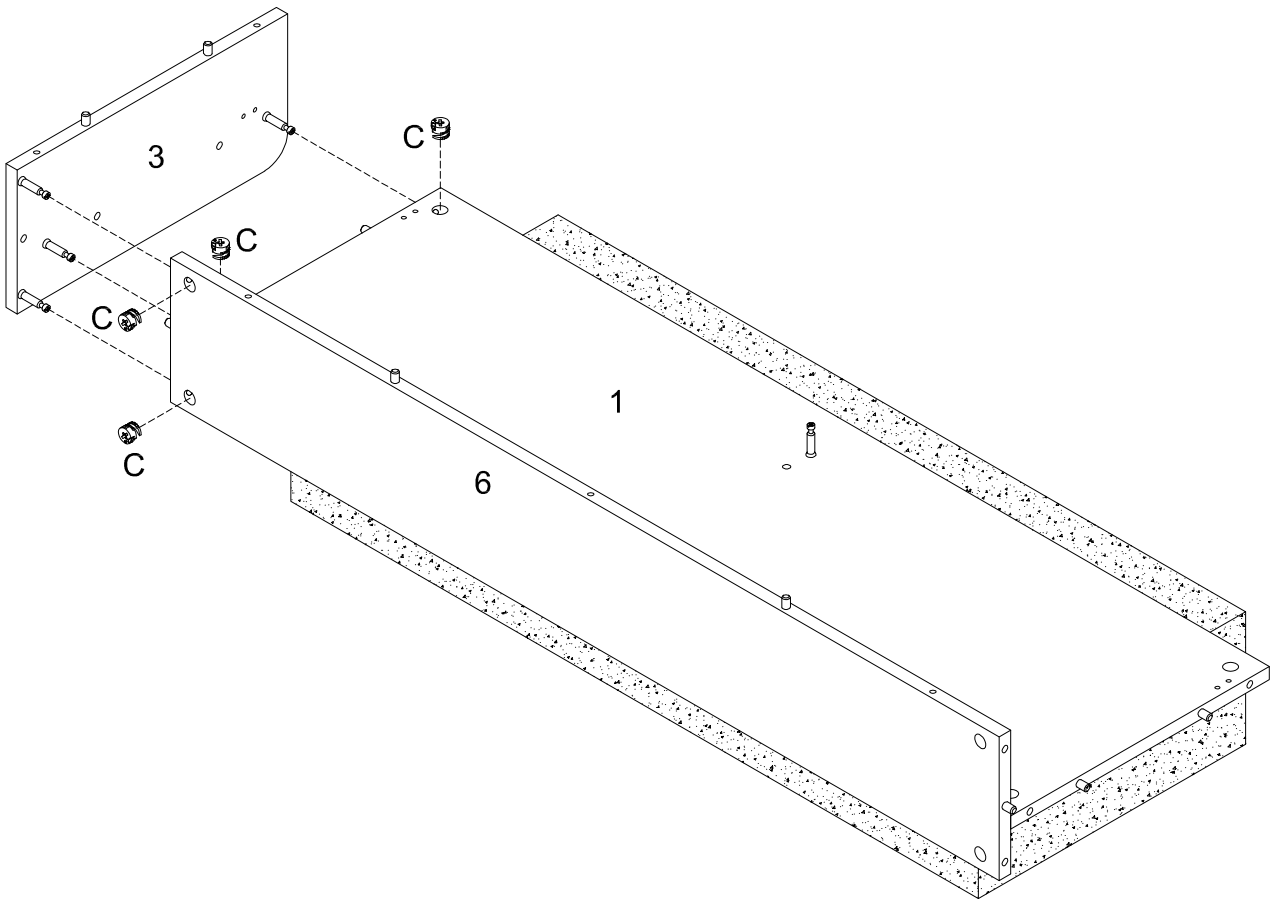
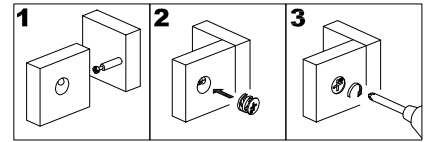
Step 2



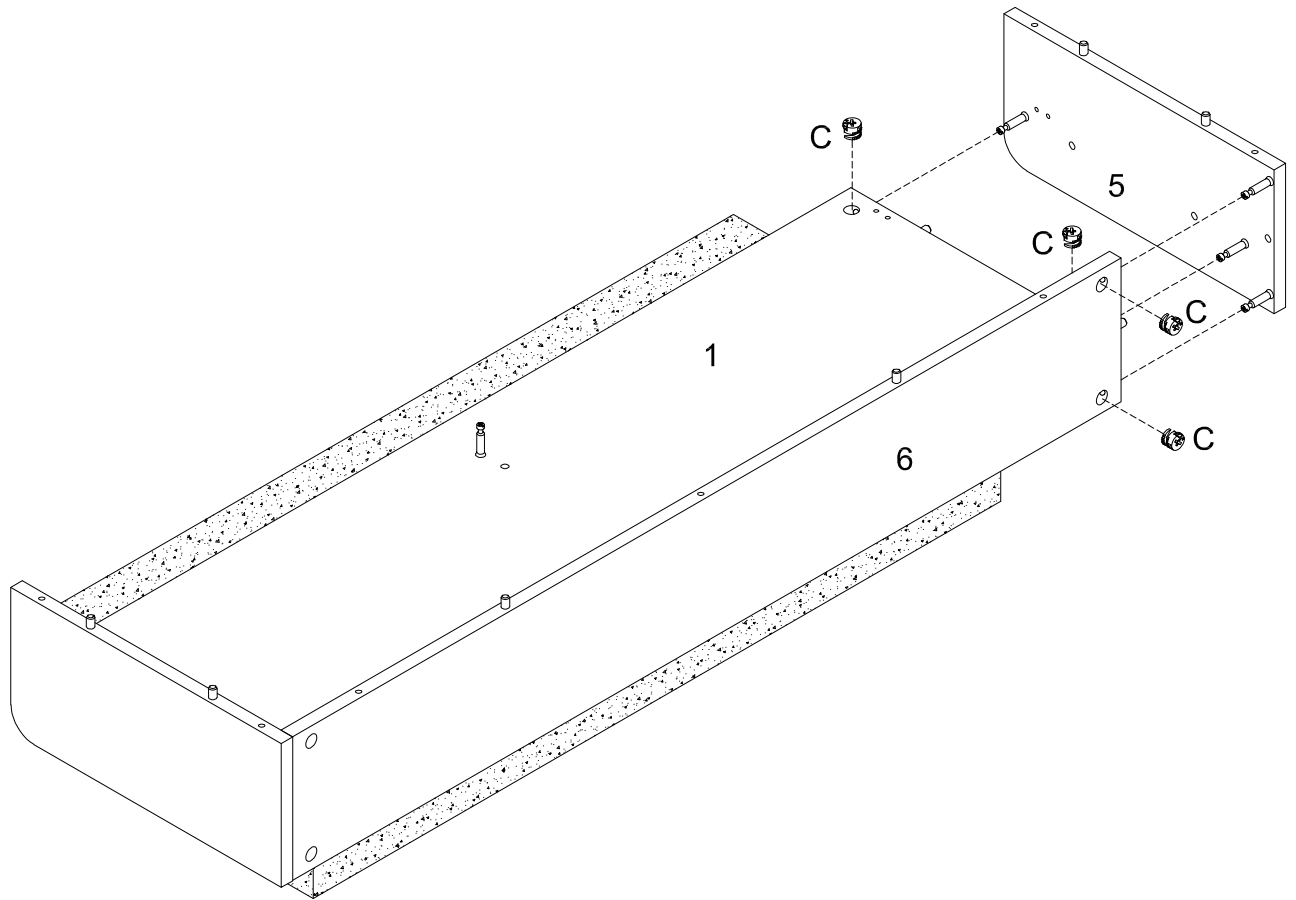
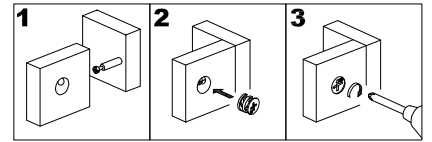
Step 3



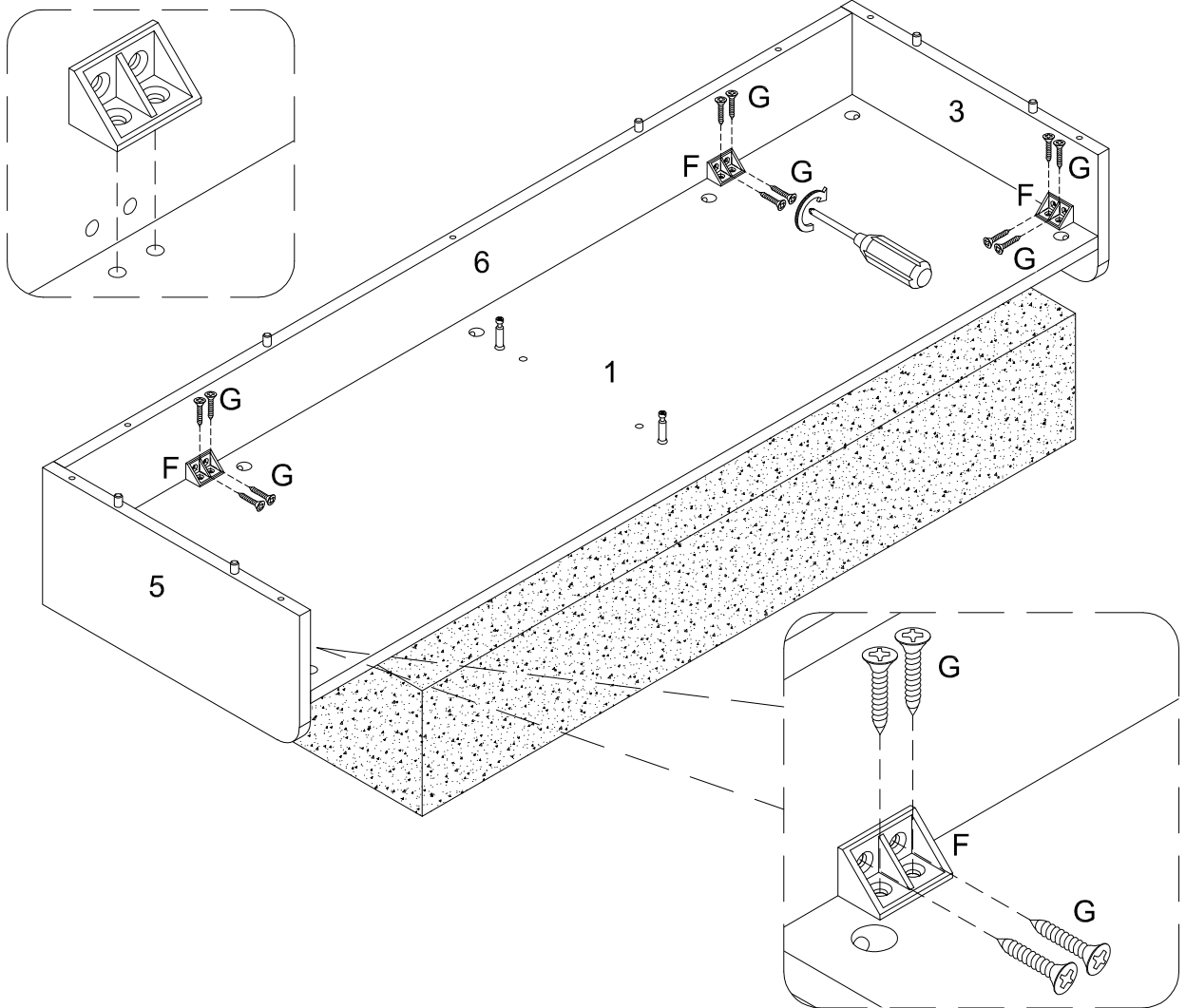
Step 4



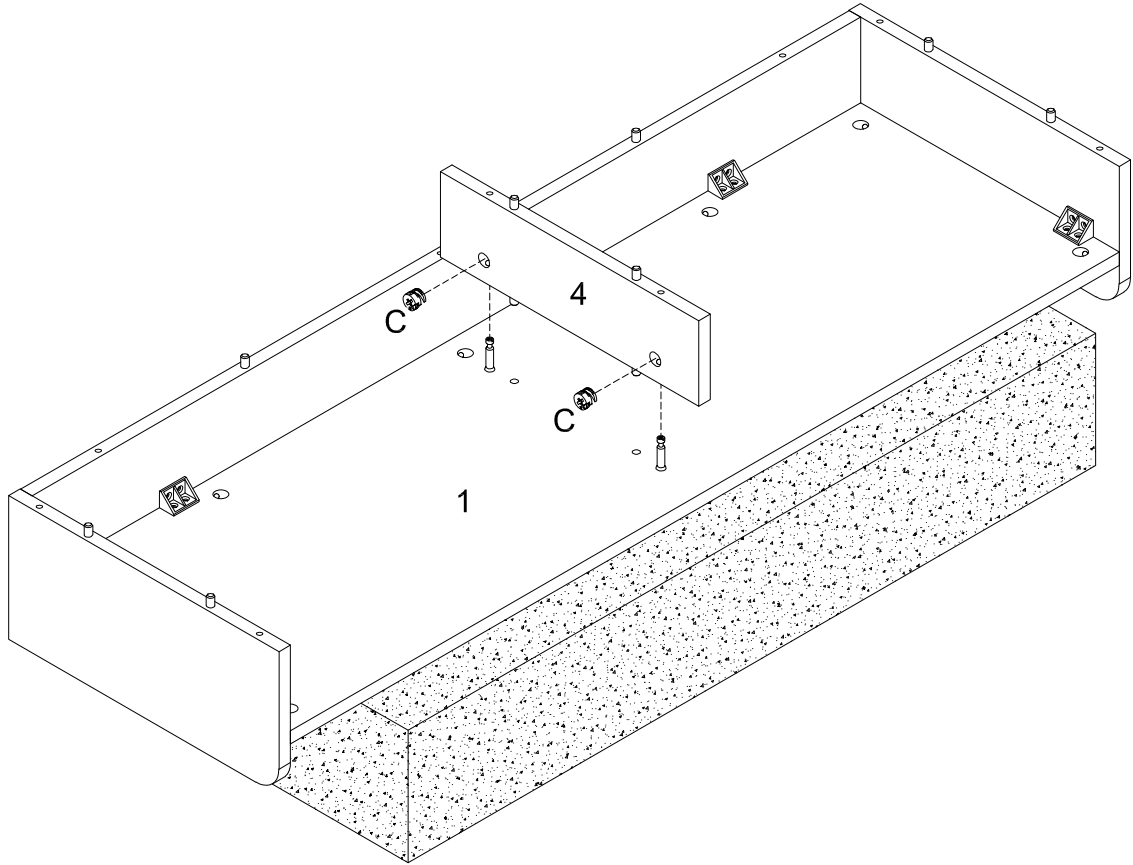
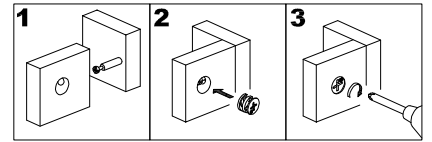
Step 5



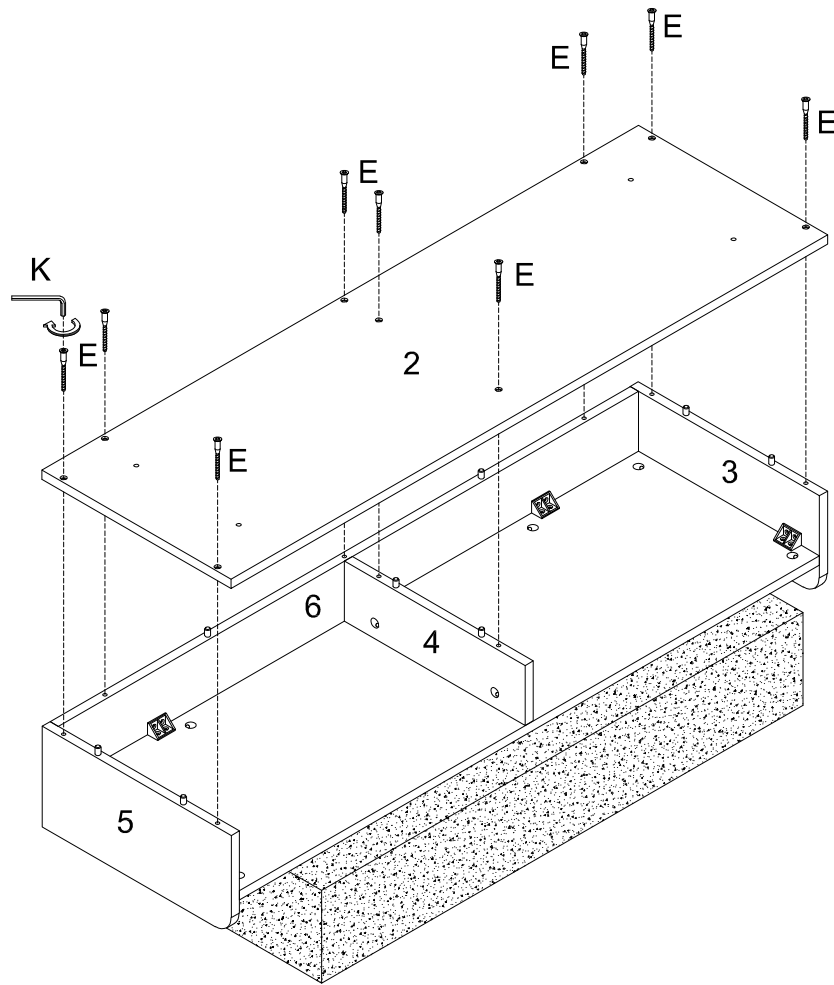
Step 6



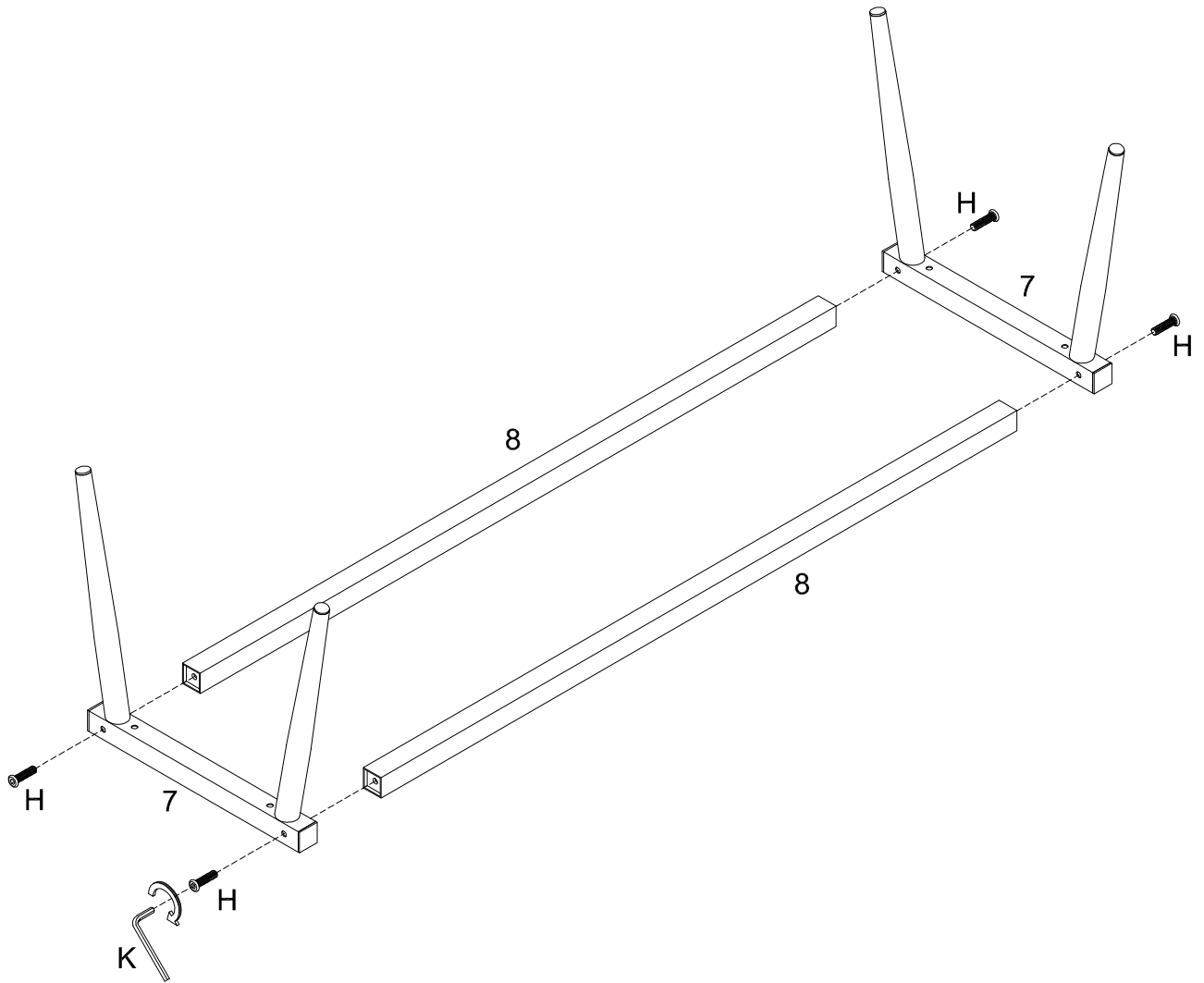
Step 7



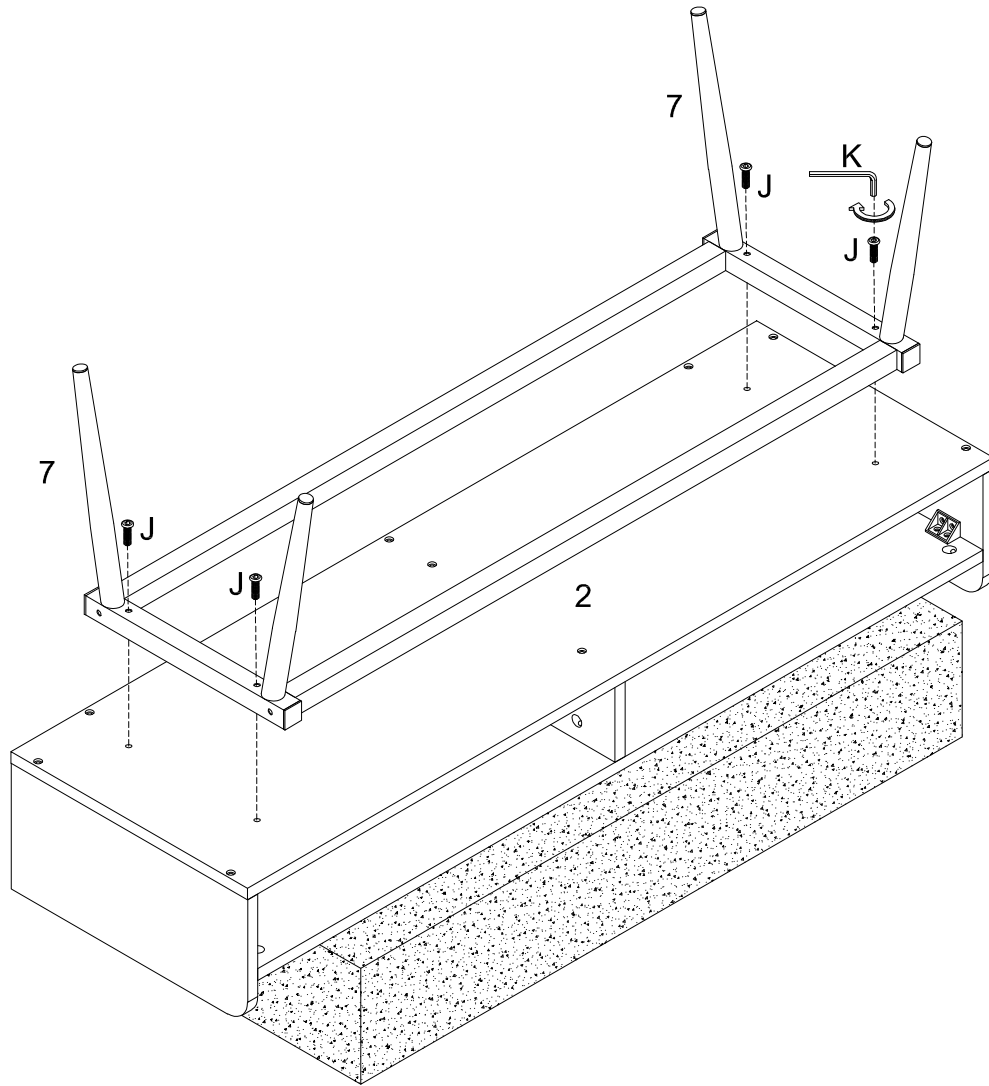
Step 8



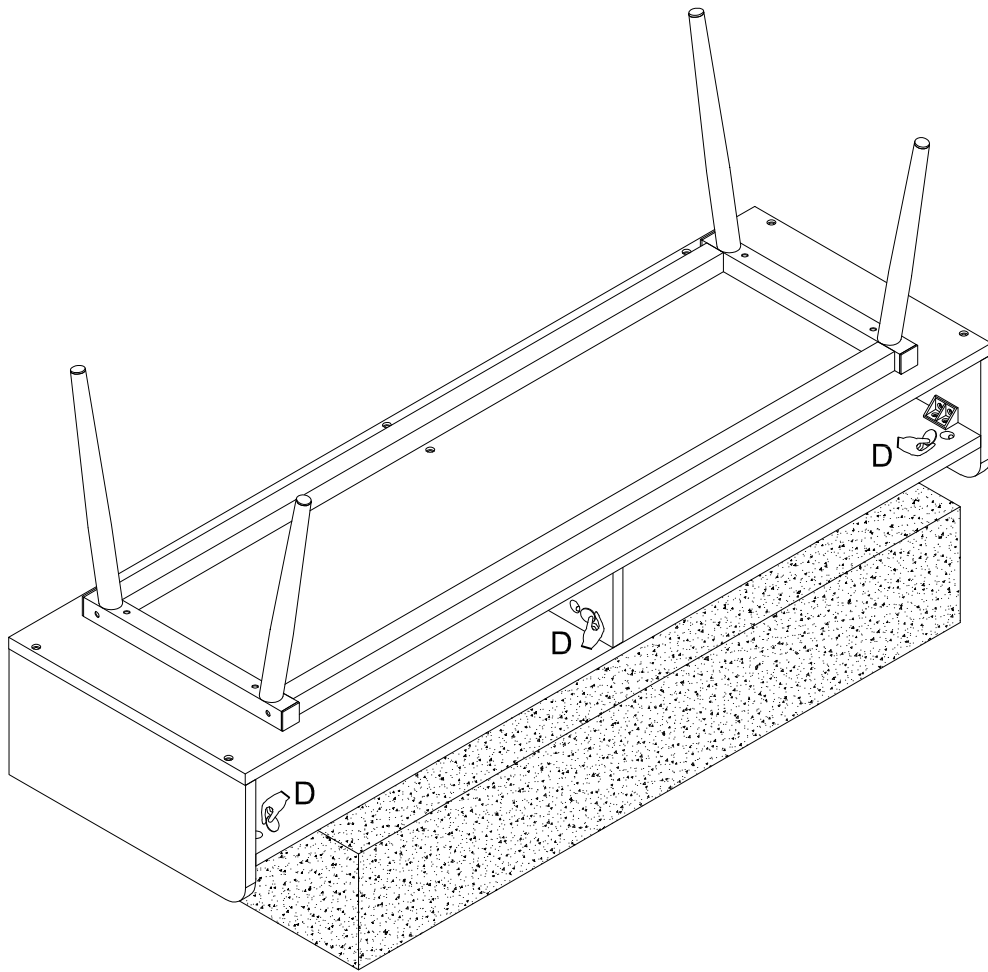
Step 9



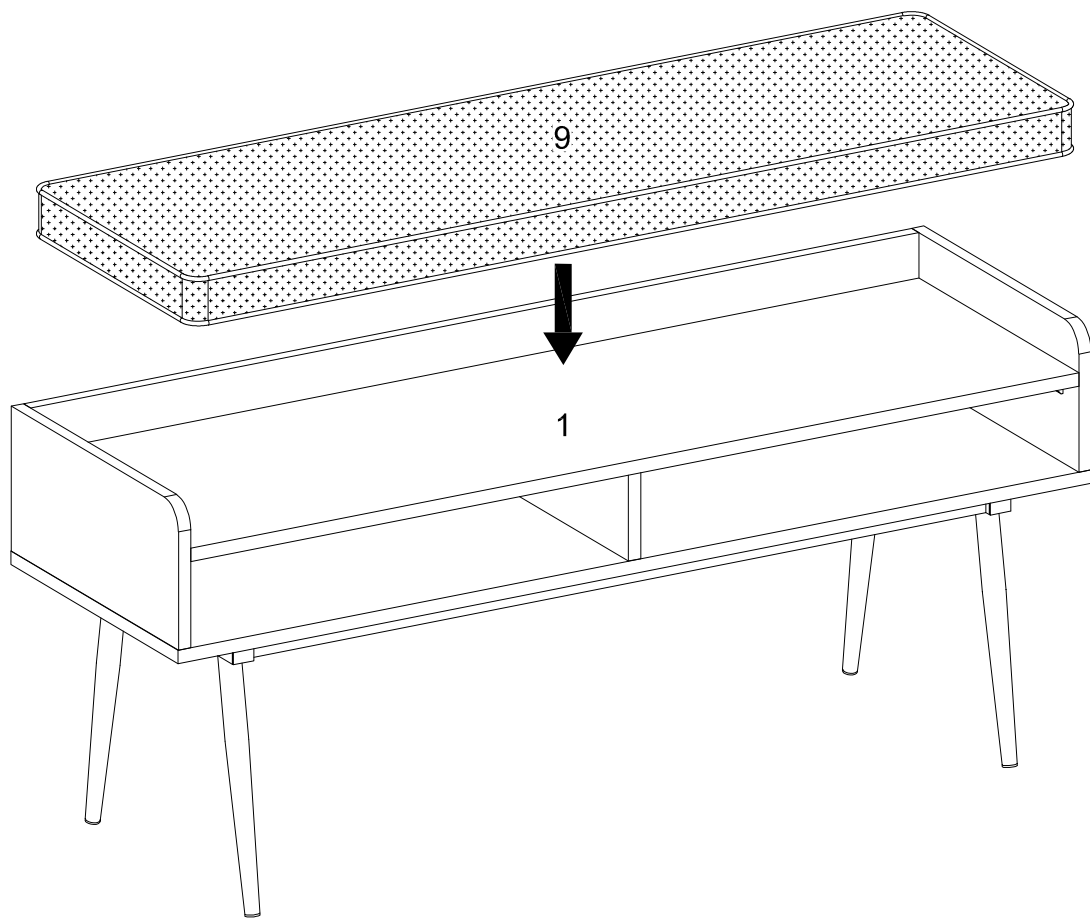
Step 10



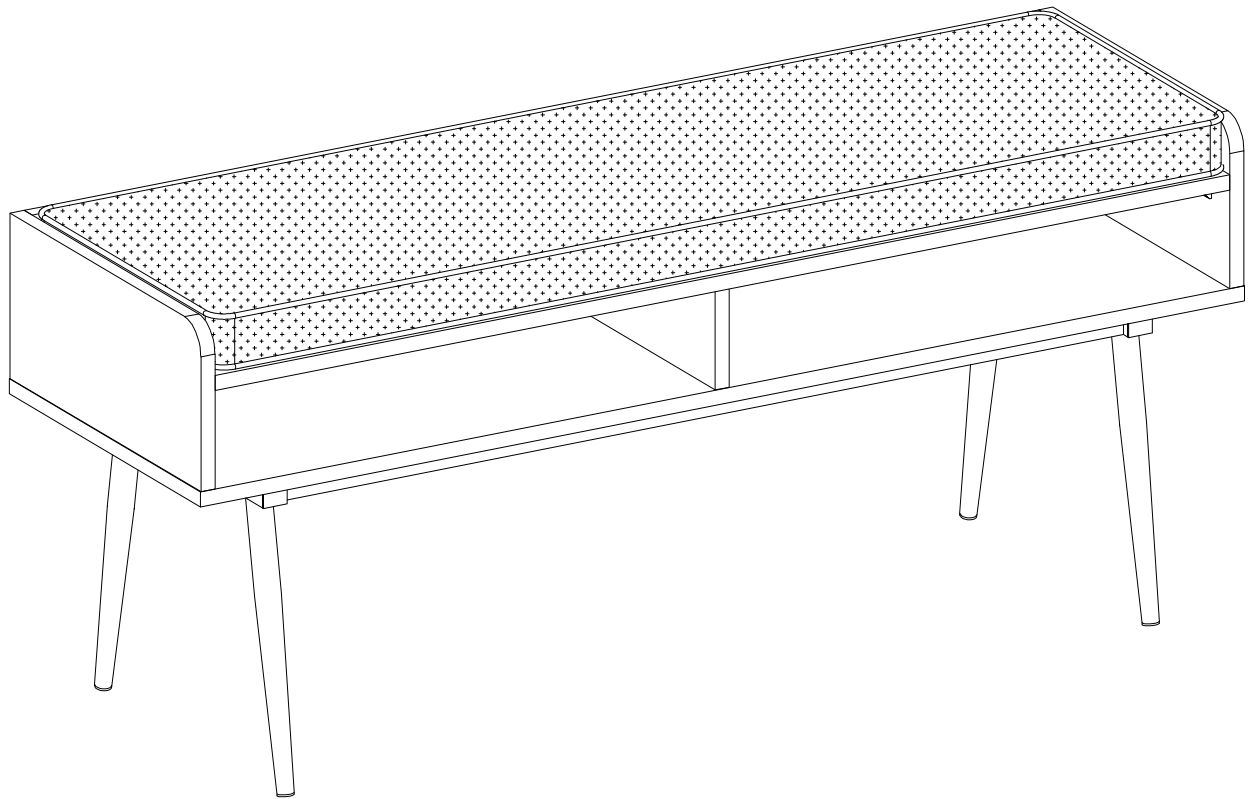
Step 11



Step 12



Step 13



Final Assembly