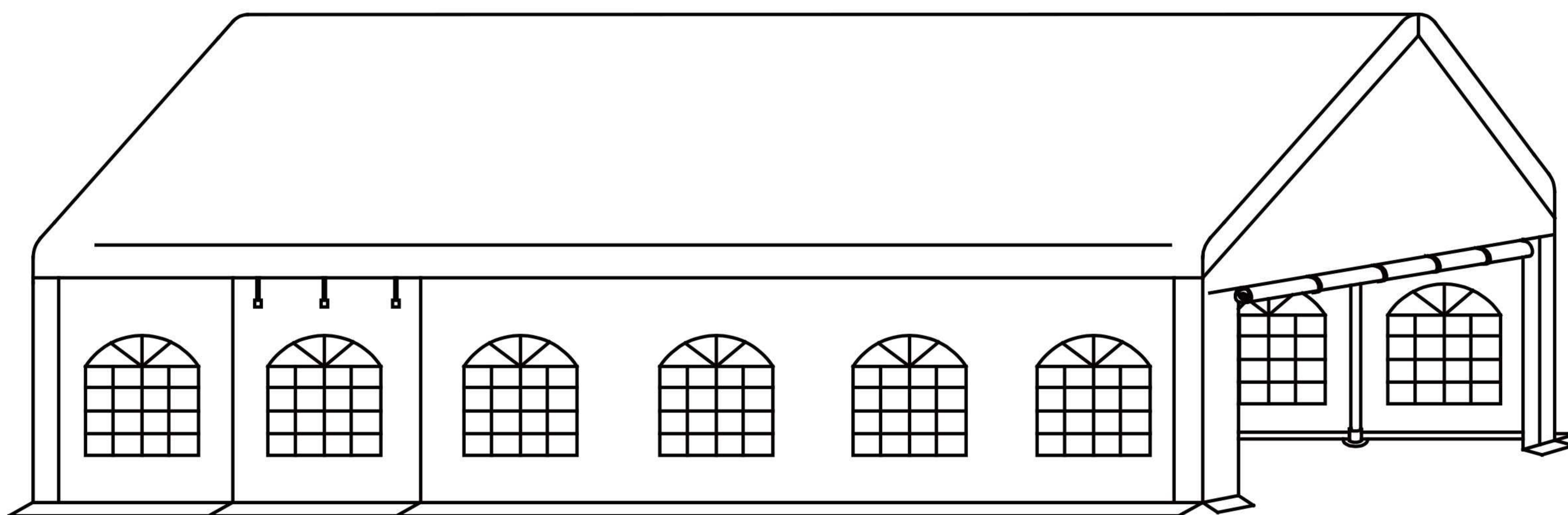


PARTY TENT

6X12FT

SKU:E-YHPT23612-G021-1
E-YHPT23612-G021-2
E-YHPT23612-G021-3
E-YHPT23612-G021-4
E-YHPT23612-G021-5

ASSEMBLY INSTRUCTIONS



Please check the number of parts in the following accessory catalogue when unpacking. We have sent you more small parts for spare. If there is any missing or any questions about the installation. Please feel free to contact us. We will reply within 24 hours.



E-mail: cs.helper01@gmail.com

TOOLS RECOMMENDED

*NOTE: The recommended tools are not included in boxes and need to be prepared by yourself.



DRILL



RUBBER Mallet



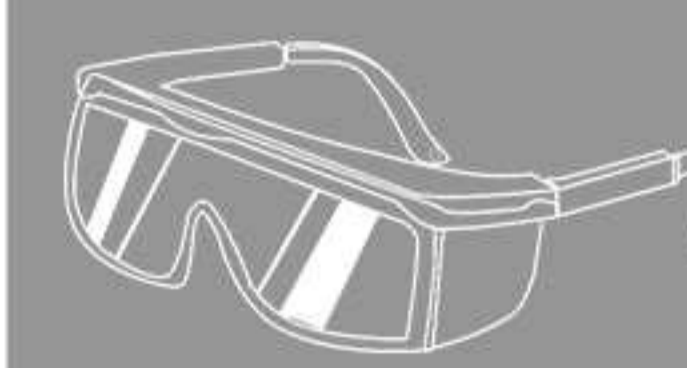
STEPLADDER
(6.5Ft Or More)



SAFETY HAT

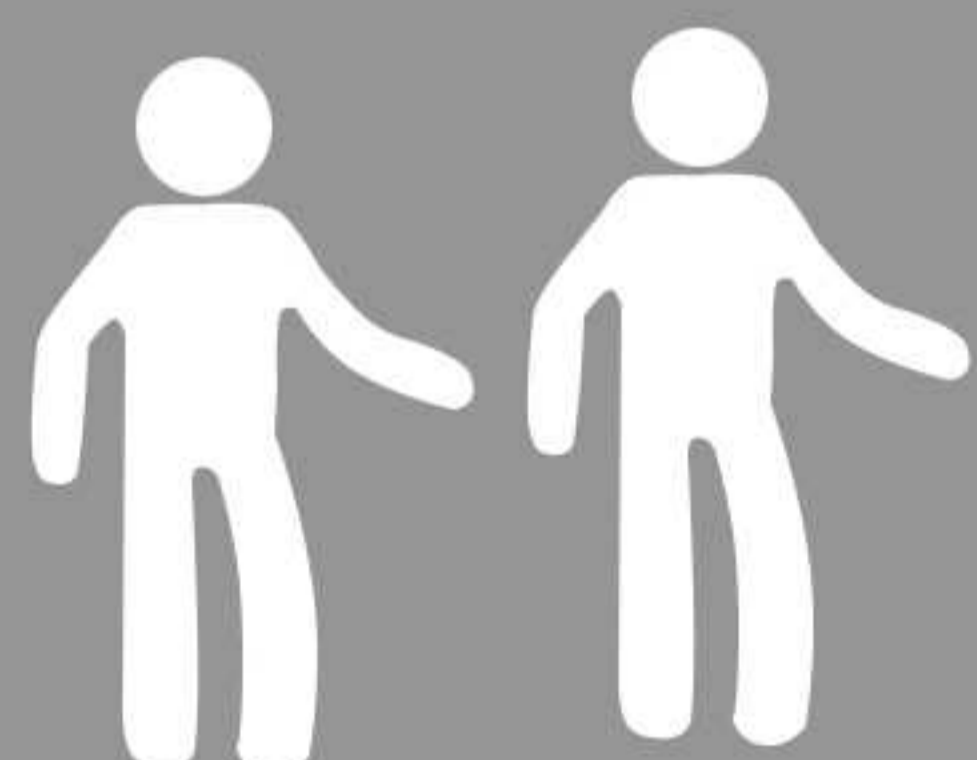


GLOVES



SAFETY GOGGLES

⚠ ATTENTIONS



Two or more people are required for assembly



To better align the screws for practical situations, do not fully tighten screws initially



Please reinforced the Gazebo and do not use in heavy winds or inclement weather



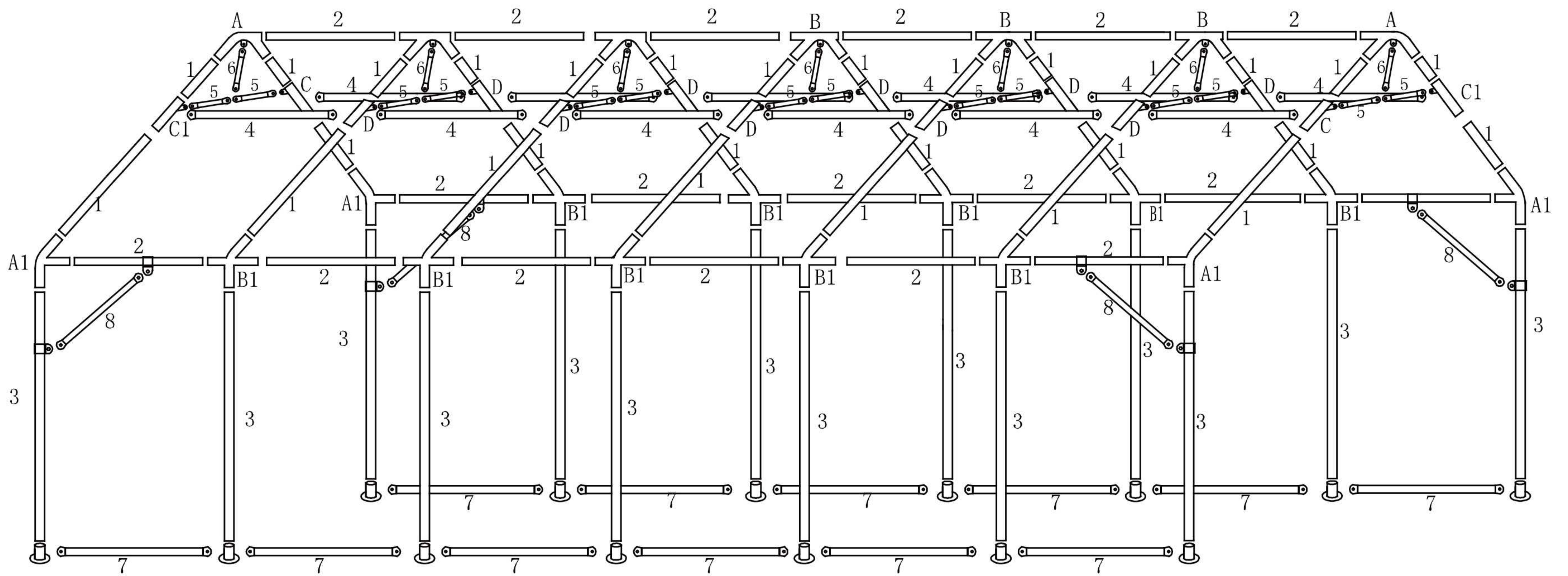
Make sure all screws are tightened before use and check all screws, buckles and straps every 90 days



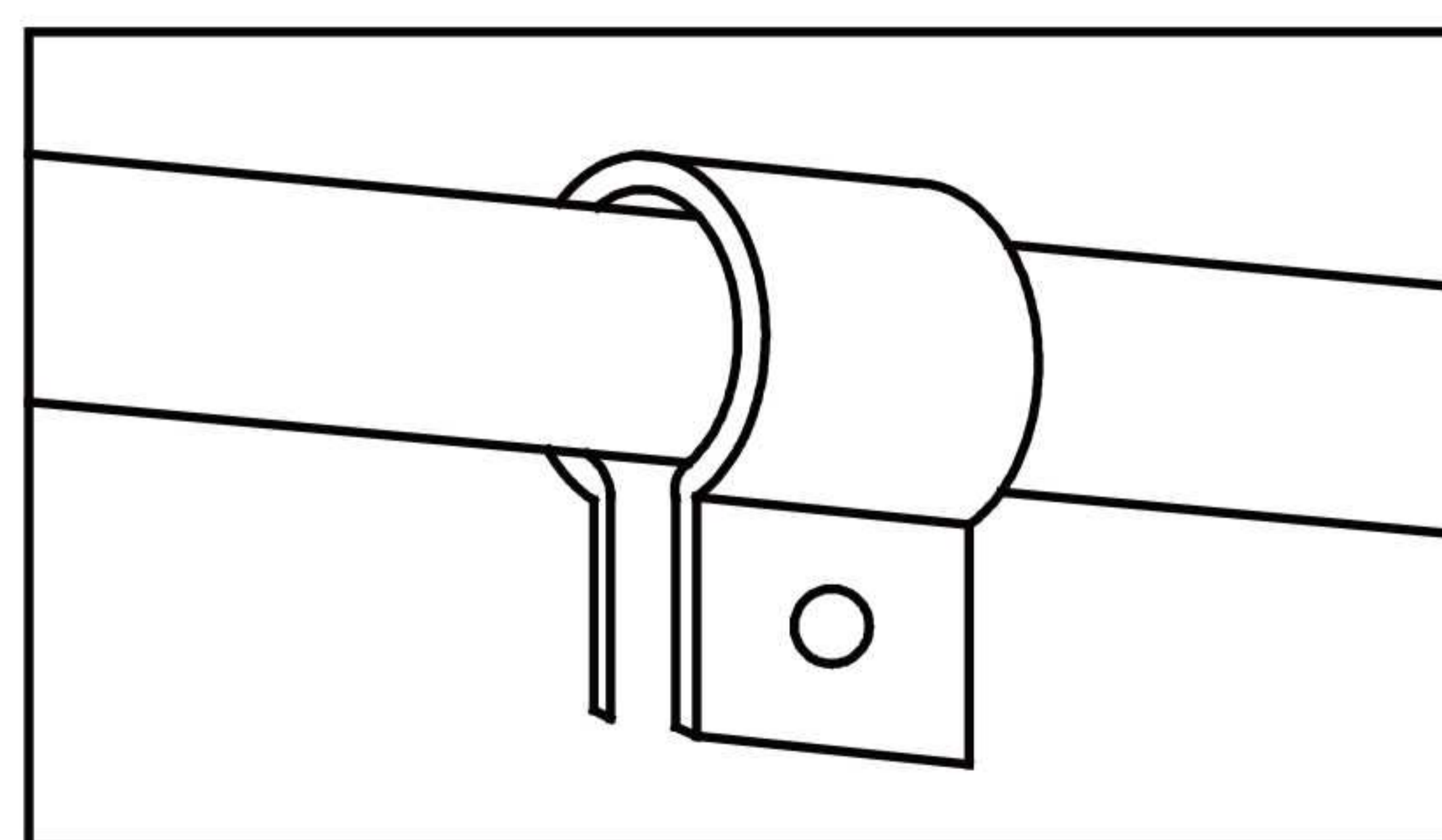
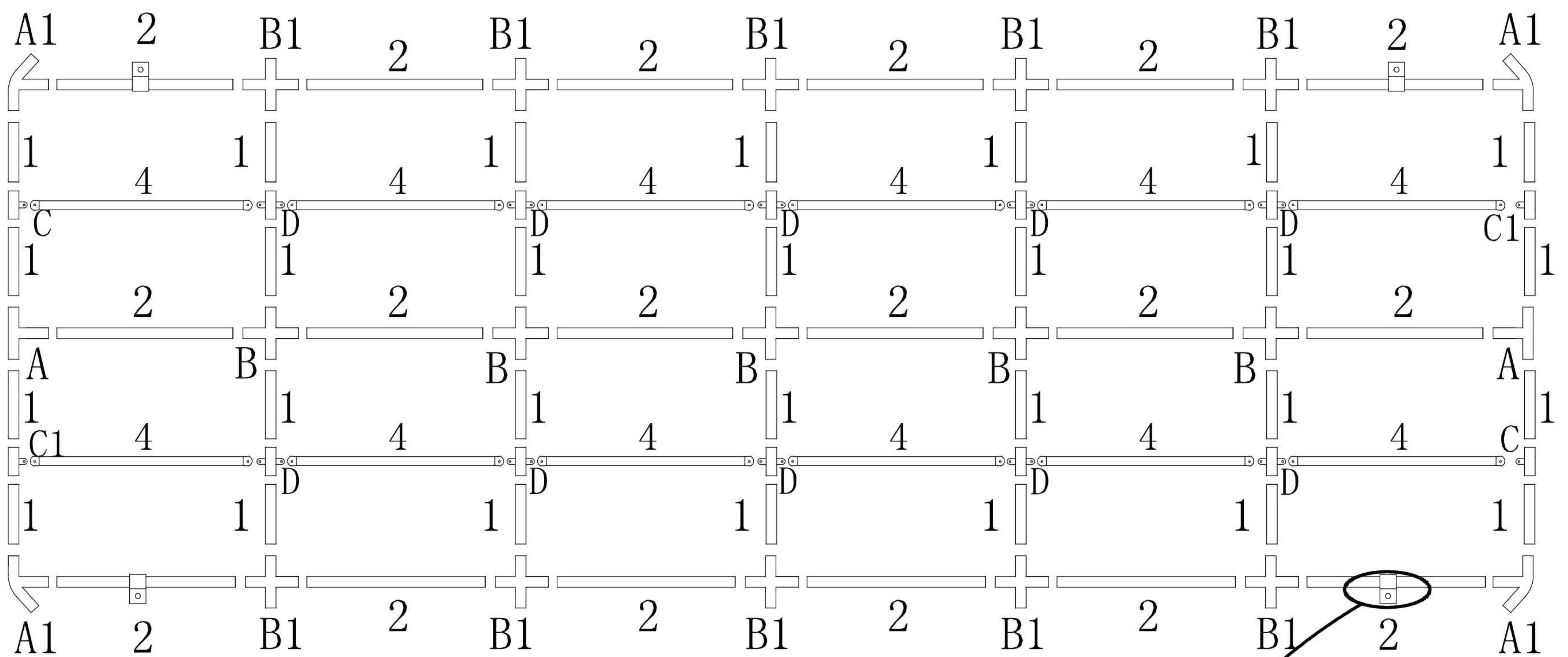
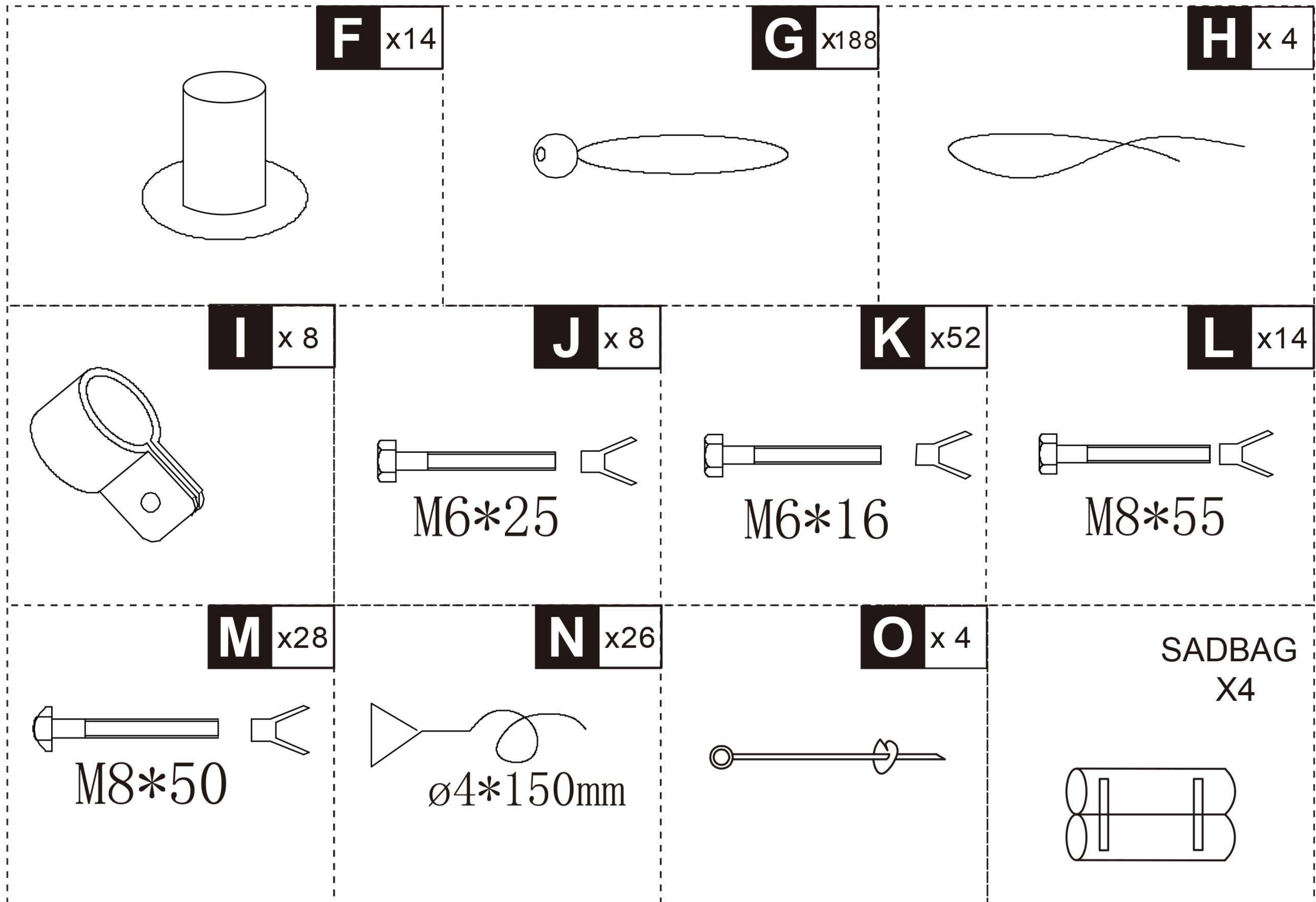
Since it is easy to lose many small accessories during the installation, please collect all the the screw accessories before the assembly is completed



Please clear the snow off the roof in time for the heavy snowfall and do not use it

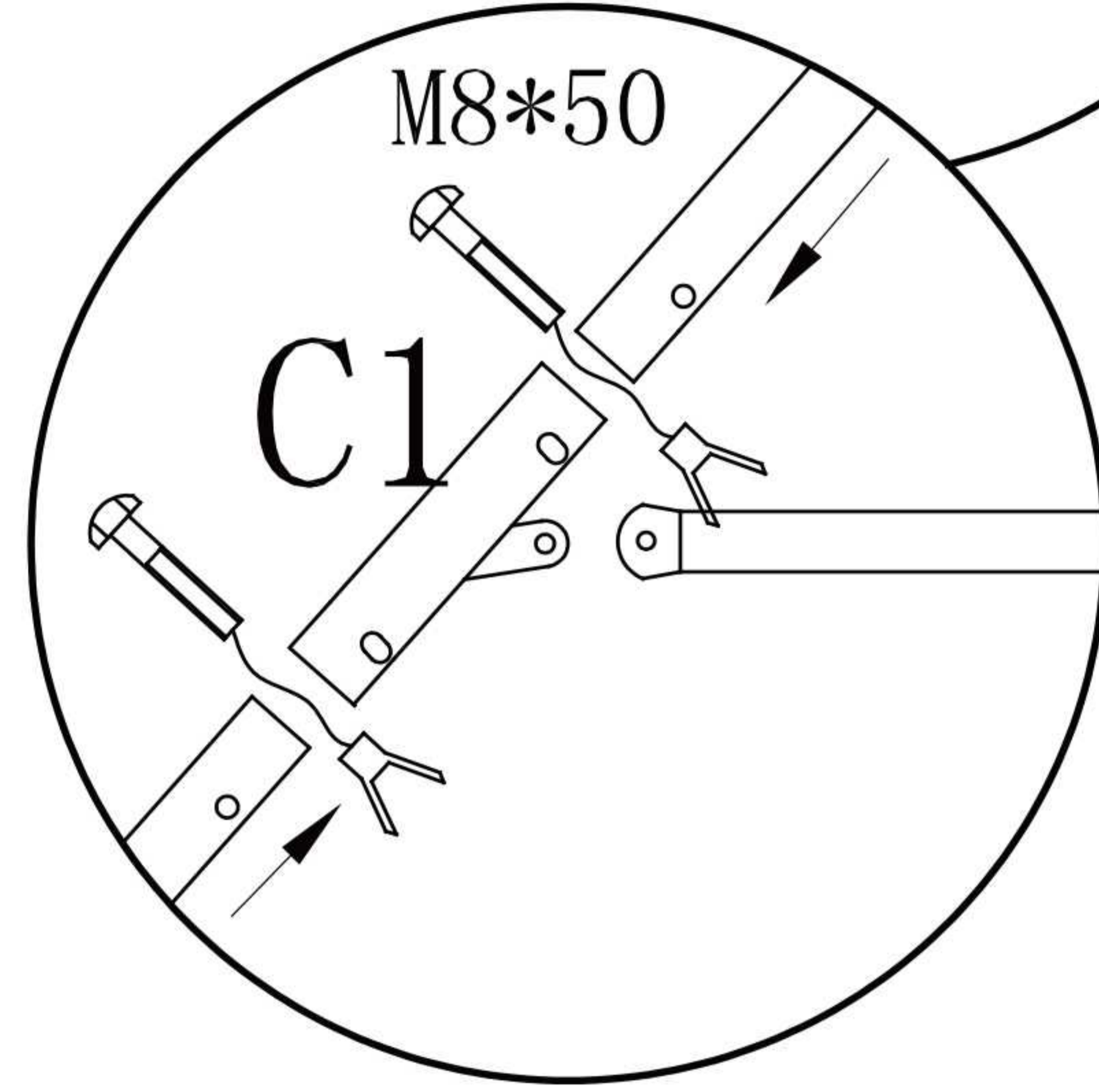
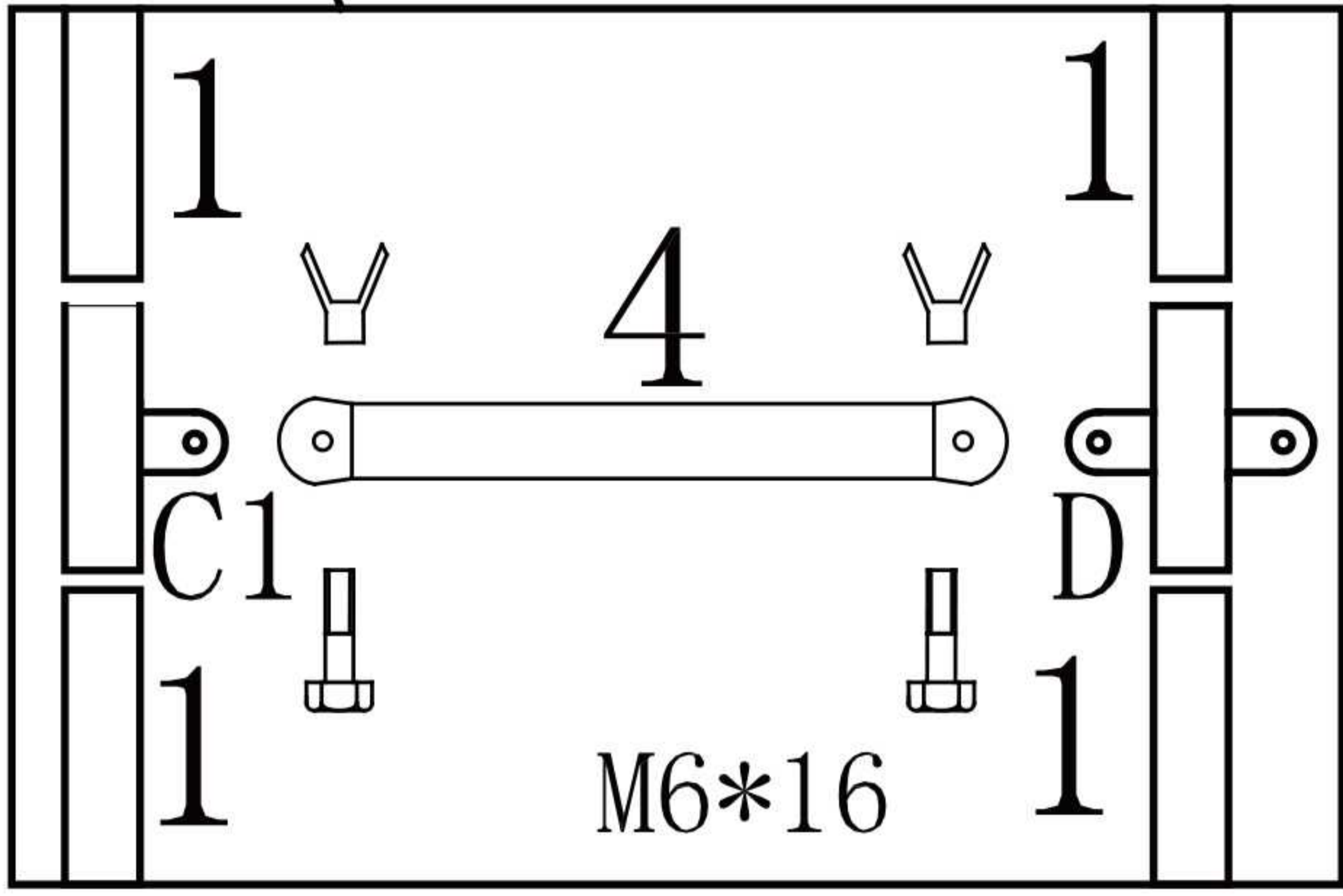
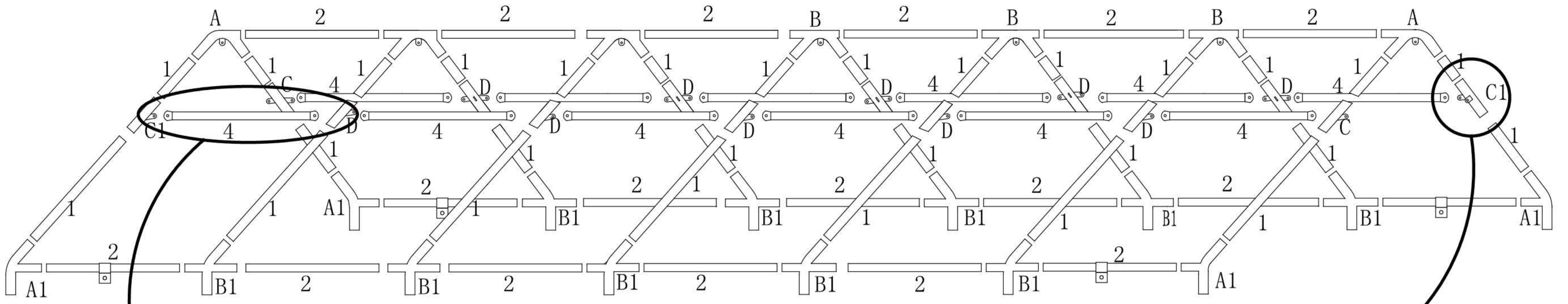


<p>① x28</p>	<p>② x18</p>	<p>③ x14</p>	<p>④ x12</p>	
<p>⑤ x14</p>	<p>⑥ x7</p>	<p>⑦ x12</p>	<p>⑧ x4</p>	
<p>A x2</p>	<p>A1 x4</p>	<p>B x5</p>	<p>B1 x10</p>	<p>E x2</p>
<p>C1 x2</p>	<p>C x2</p>	<p>D x10</p>	<p>P x1</p>	<p>Q x1</p>

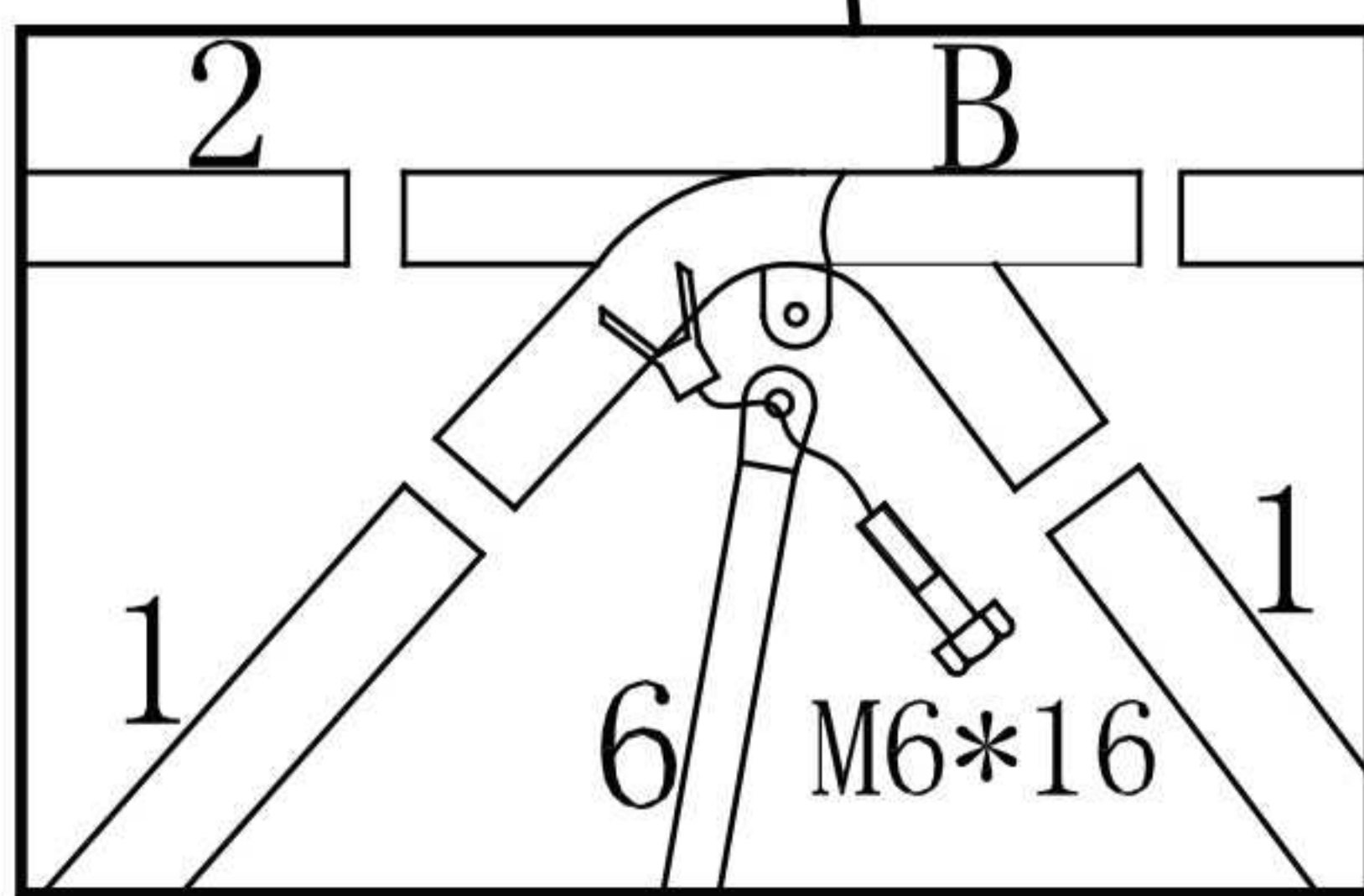
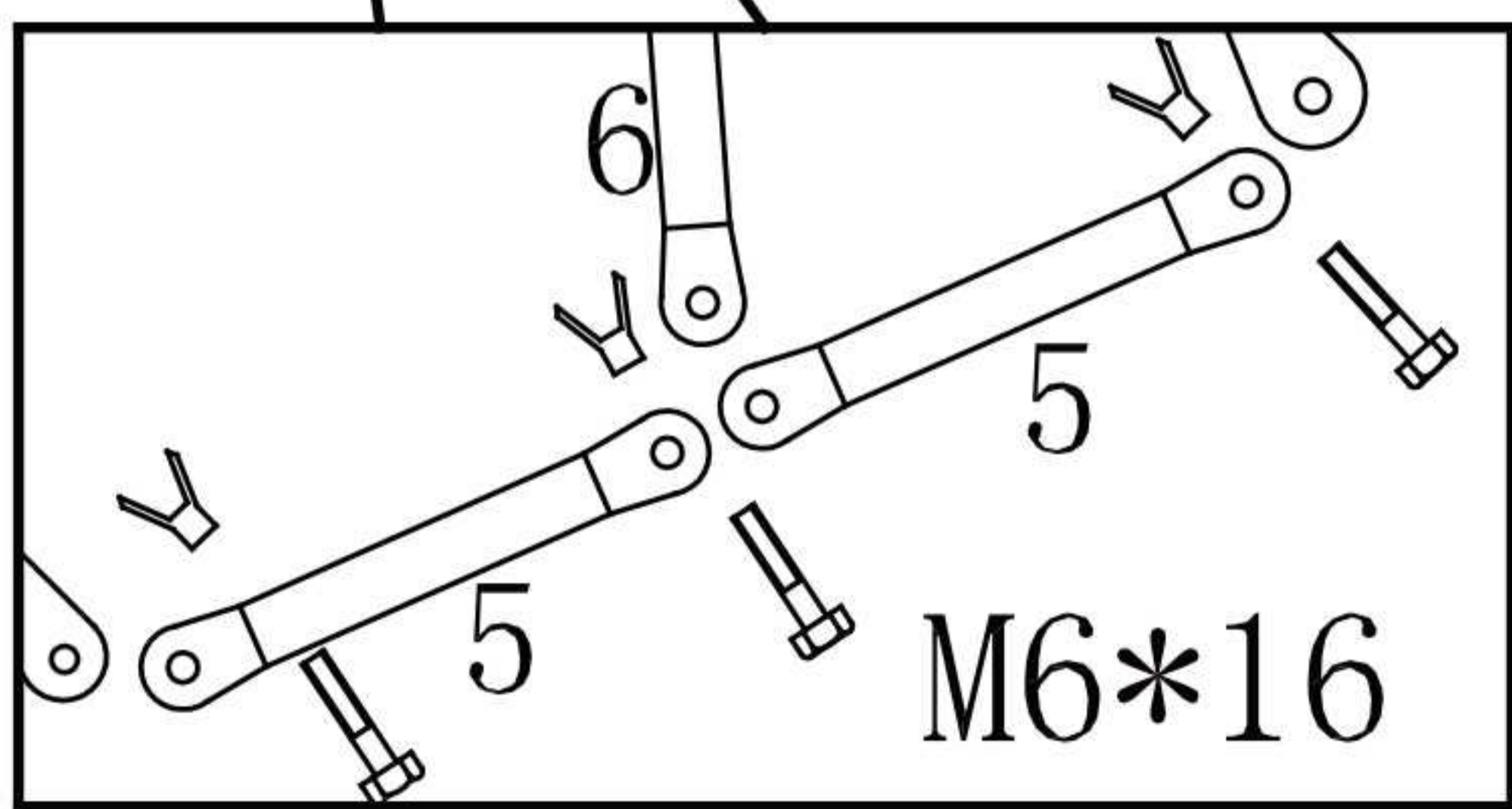
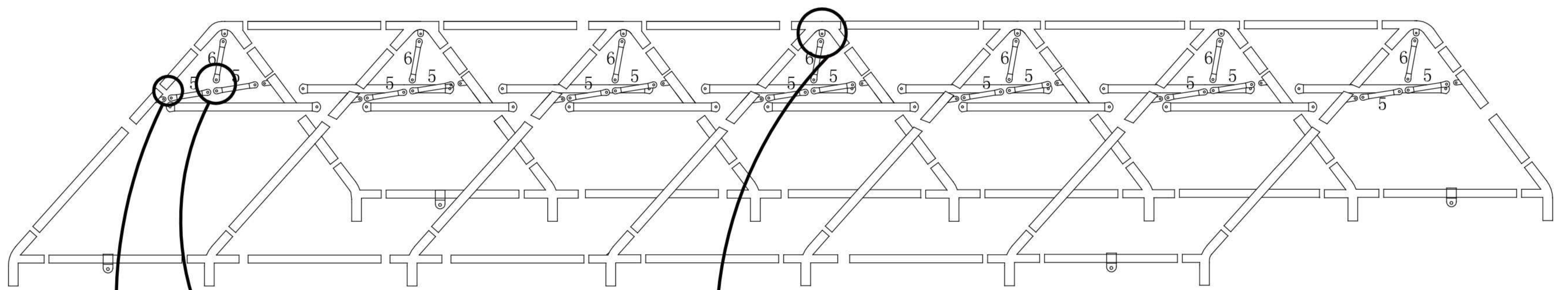


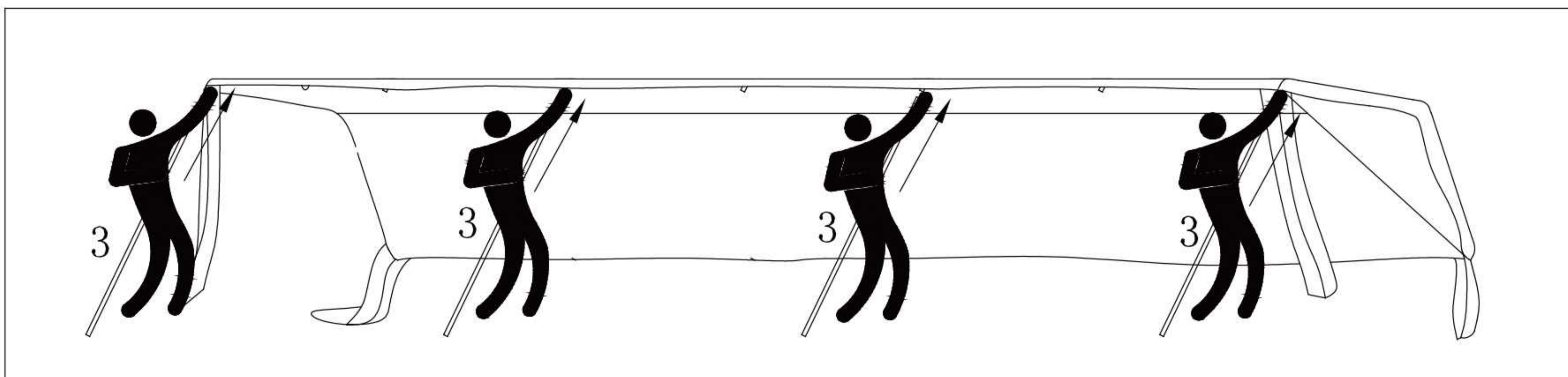
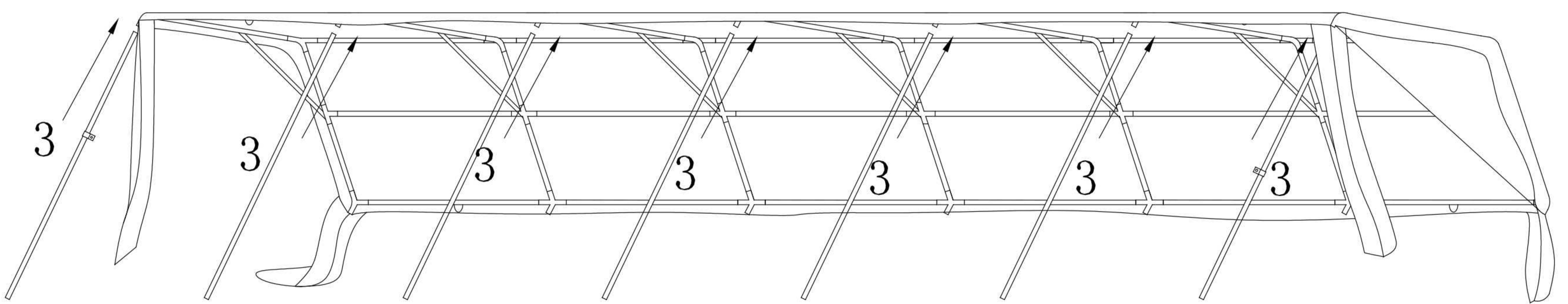
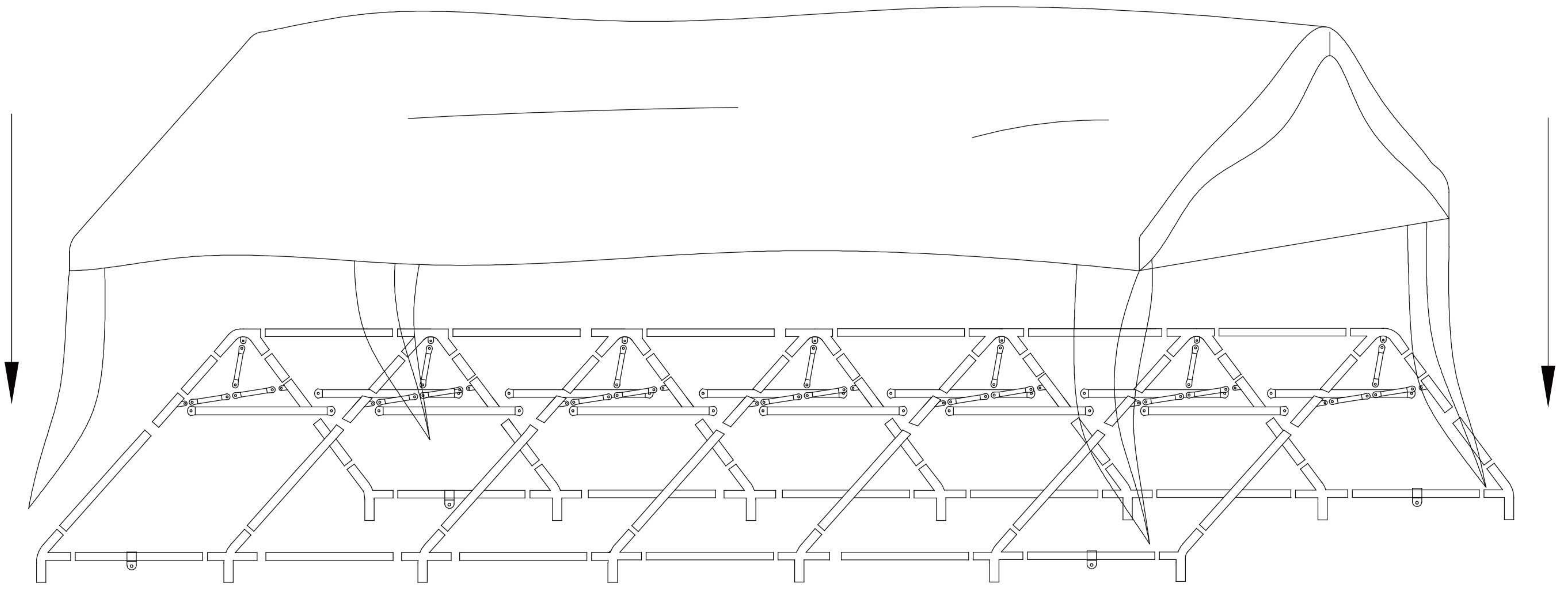
M6*16 x24

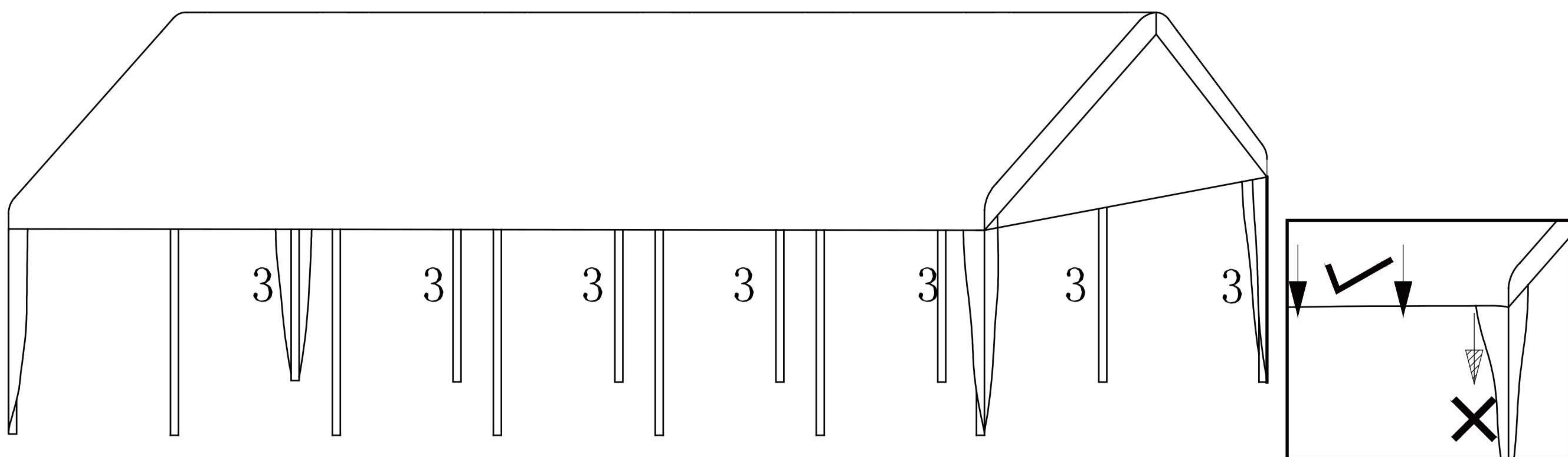
M8*50 x28



M6*16 x28







M6*25 x8

M8*55 x14

