

Assembly guide

Please Read Our Introduction



Valued Customer,
We design and carefully manufacture our products for our customers. We wish that our customers to have fun while they are doing their new furniture

The product you just purchased was subjected to all sorts of tests and controls before sending out to you.

Hope you enjoy your new furniture!!!



Although all products are carefully manufactured and packed, sometimes we experience damage during transportation. In such cases, please check the damaged part, note the part number written on the part and do not hesitate to contact us



Furniture parts are going to several manufacturing procedures. During this process, parts can have little dust or marks. Please clean the parts with damp cloth before assembly to get the best result. Usual cleaning would be suffice.



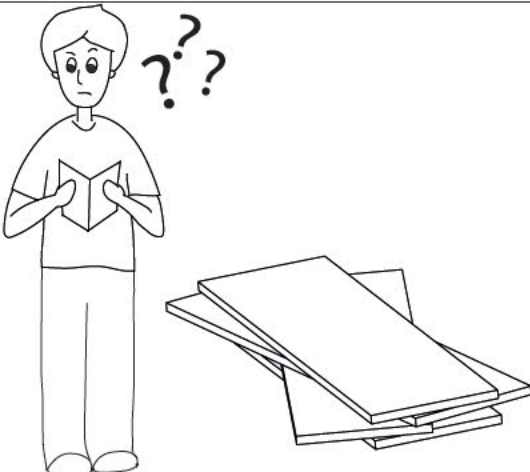
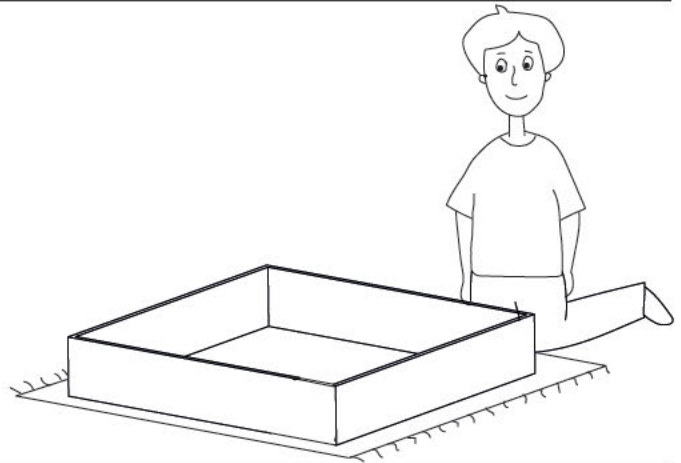
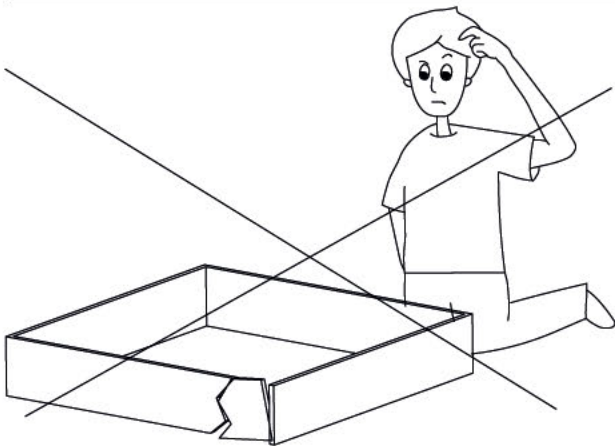
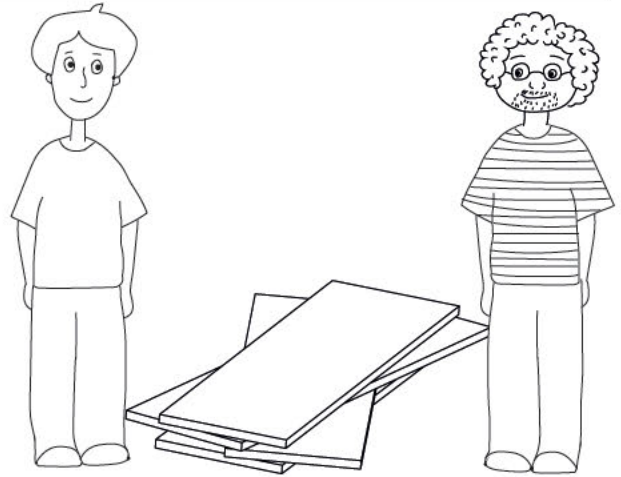
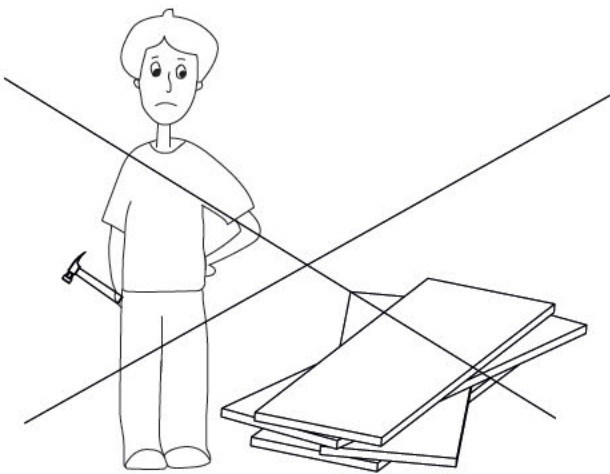
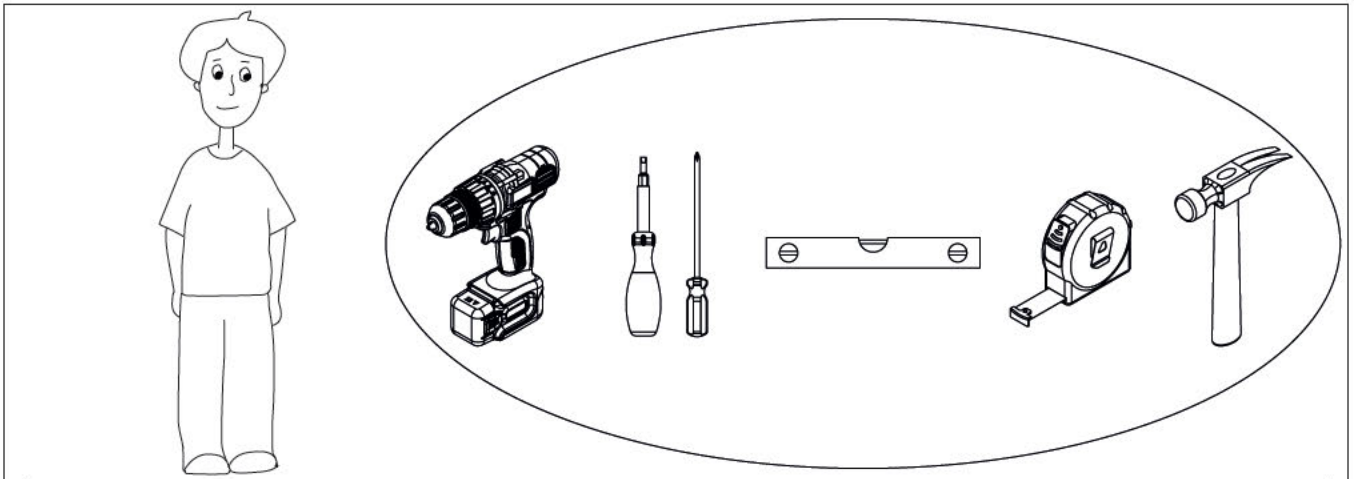
Before starting, please check all components and accessories according to the provided list. If you purchased more than one product, to prevent confusion, be sure that you completed the first product, then start the next one. Please make sure that you select correct numbered part and use specific connector to assemble. We do not recommend any modification or rotation in assembly. Please follow the manual carefully.



Do not use your furniture for out of purposes. If you would like to use it out of purpose or would like to do some modification or rotation, please contact us for more details.

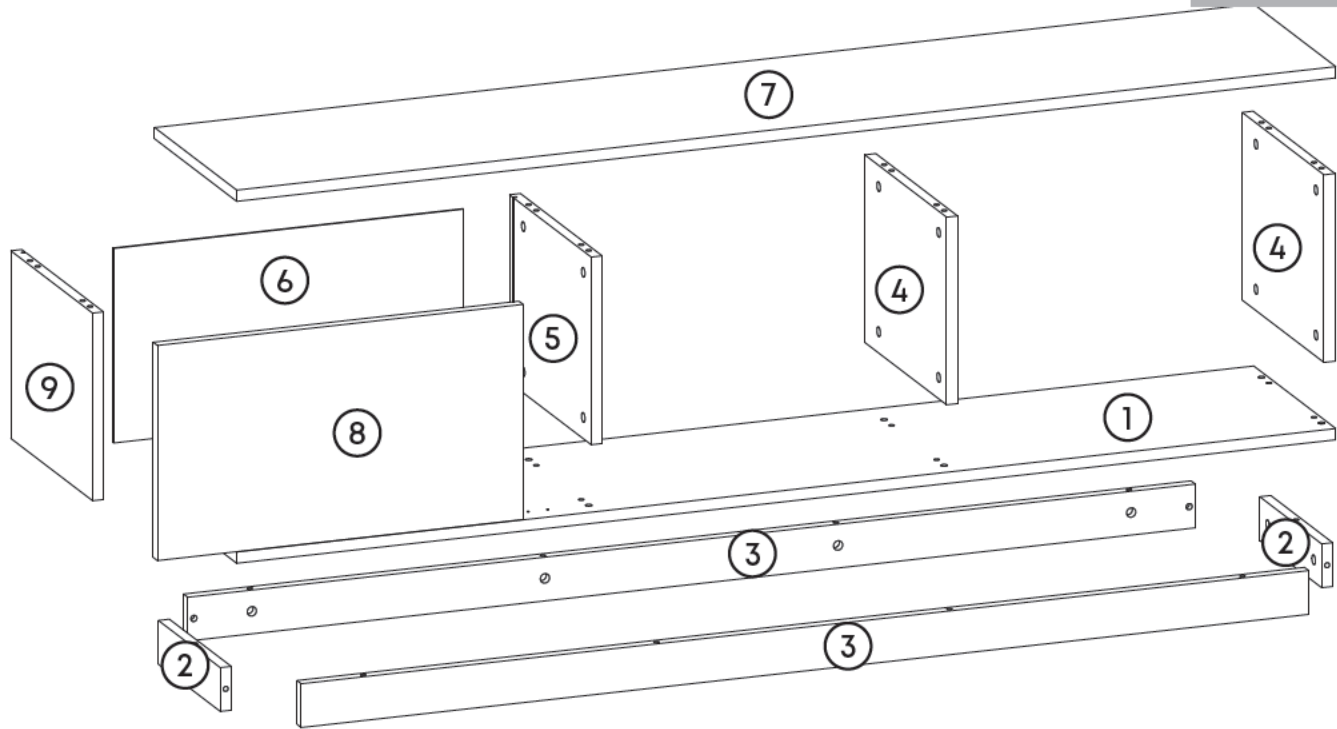
Please do not expose your furniture with excessive heat, cold and humidity because product can be affected negatively.

Prepare To Start


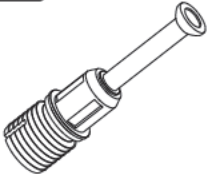
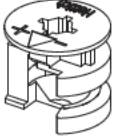





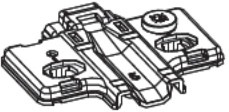
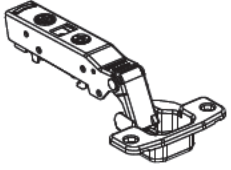


Components

Part1	1x
Part2	2x
Part3	2x
Part4	2x
Part5	1x
Part6	1x
Part7	1x
Part8	1x
Part9	1x
Total	12x

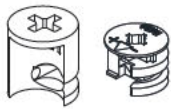


Accessory Parts

A01  Dowel Q8 16x	A02  Minifix Screw 30x	A03  Minifix Head 30x	A06  Pvc Sticker 30x	A08  Nail 8x	A09  Allen 1x
A16  Piston 1x	A17  3,5 x 16 Screw 20x	A28  Hinge Base 2x	A29  Flat Hinge 2x		

How to instal Components

*Minifix is the main connection component used in Minima products. Before starting, please check the below figures



MINIFIX
HEAD

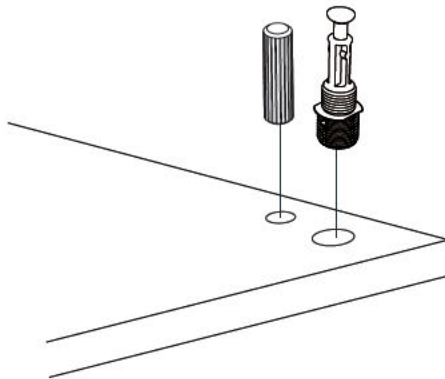


MINIFIX
SCREW

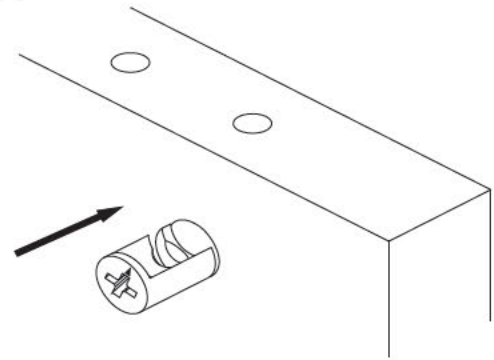


DOWEL

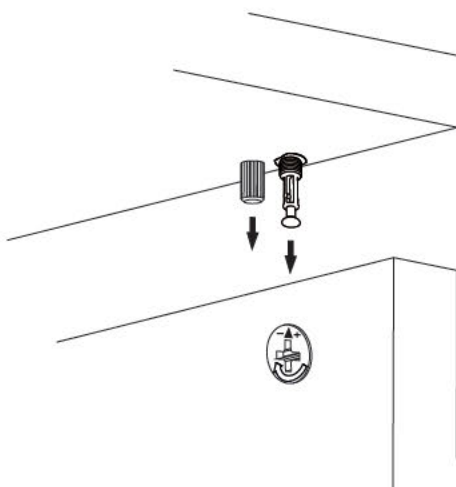
If the dowel is not required during the installation phase, it is not included in the package.



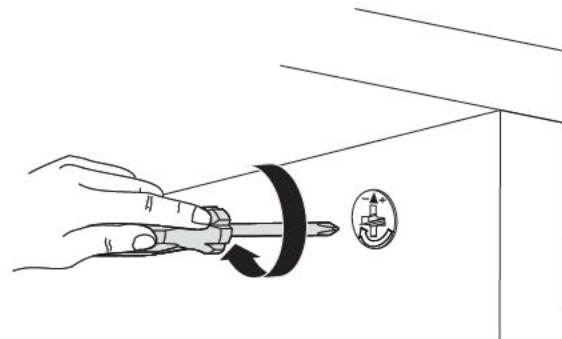
*Please notice that there is an small arrow on A03 (minifix head). This arrow should show the direction of upper hole.



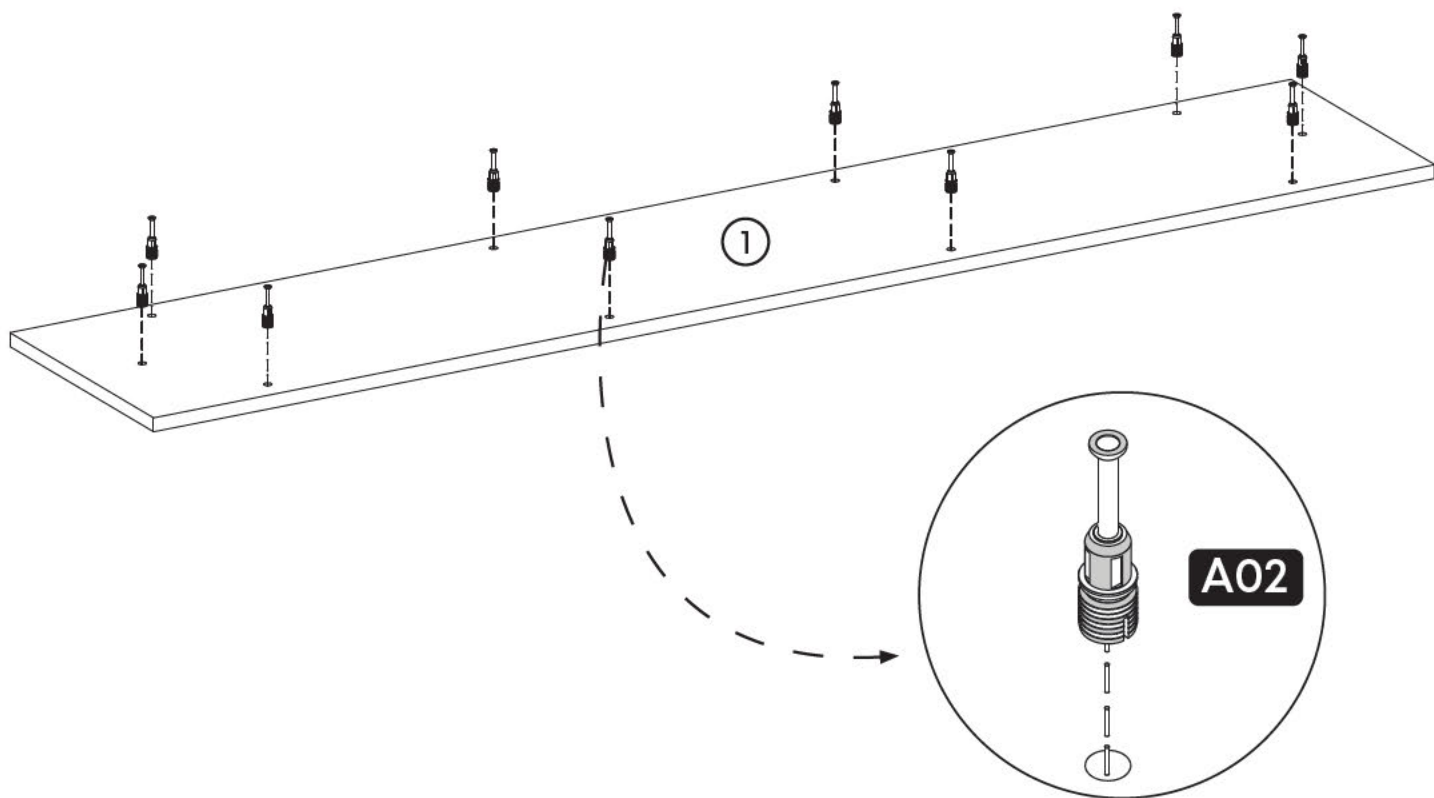
*After attaching two pieces please turn the A03 (minifix head) clockwise direction with the help of a screwdriver.



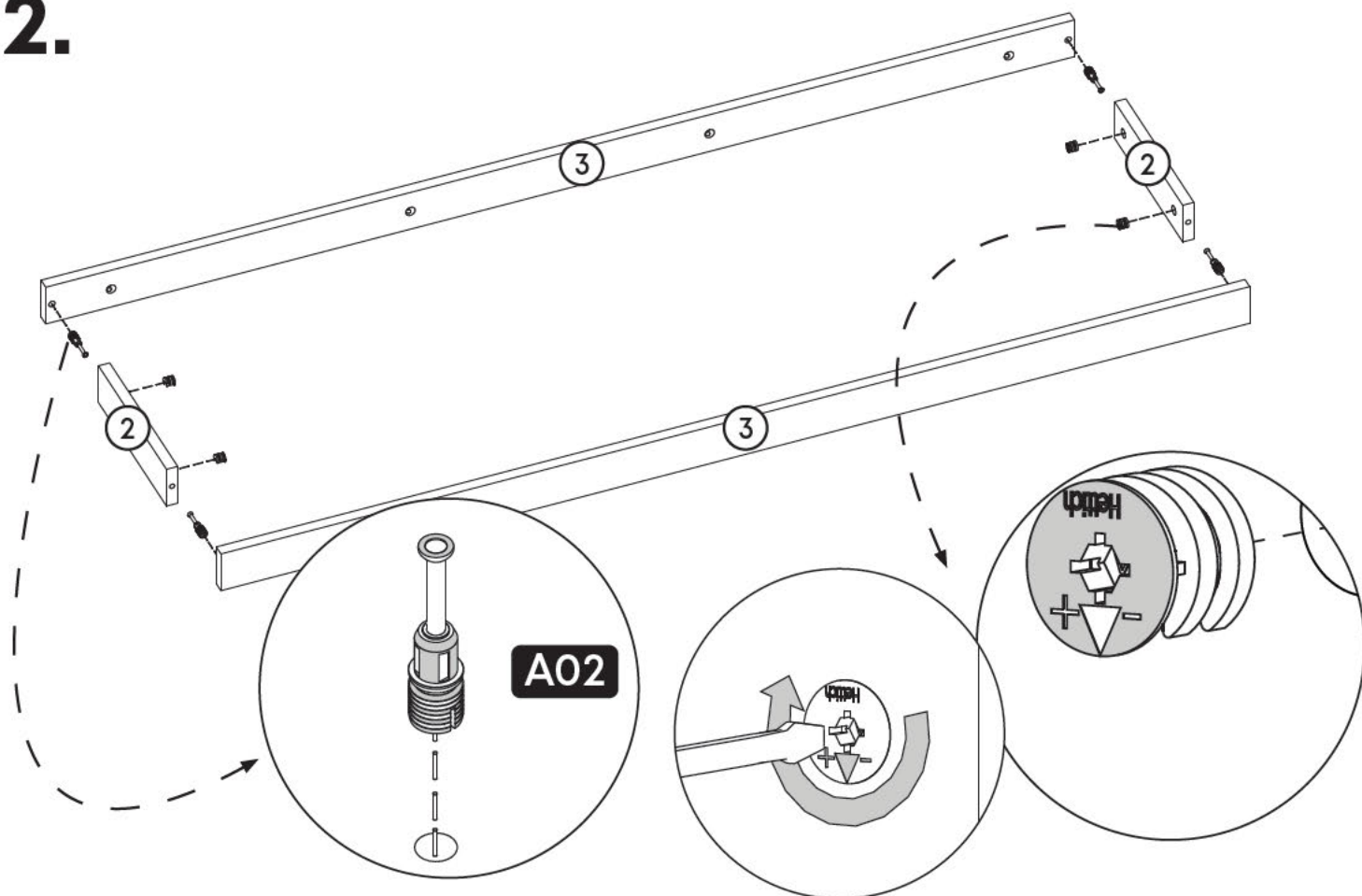
*Please do not over screw the minifix head since it may be broken if too much power is imposed. Just make sure that it is screwed to the direction "+" do not go any further.



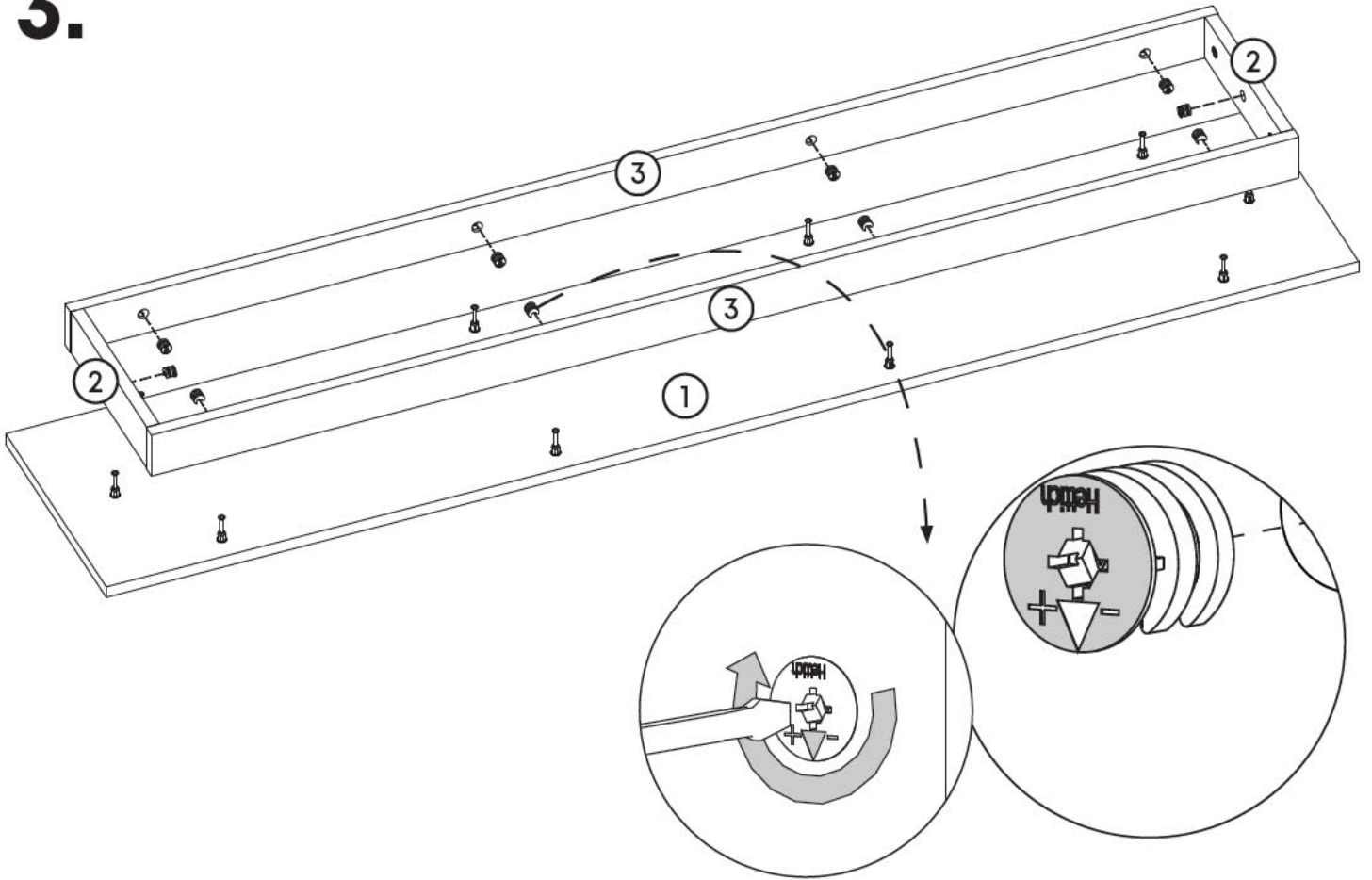
1.



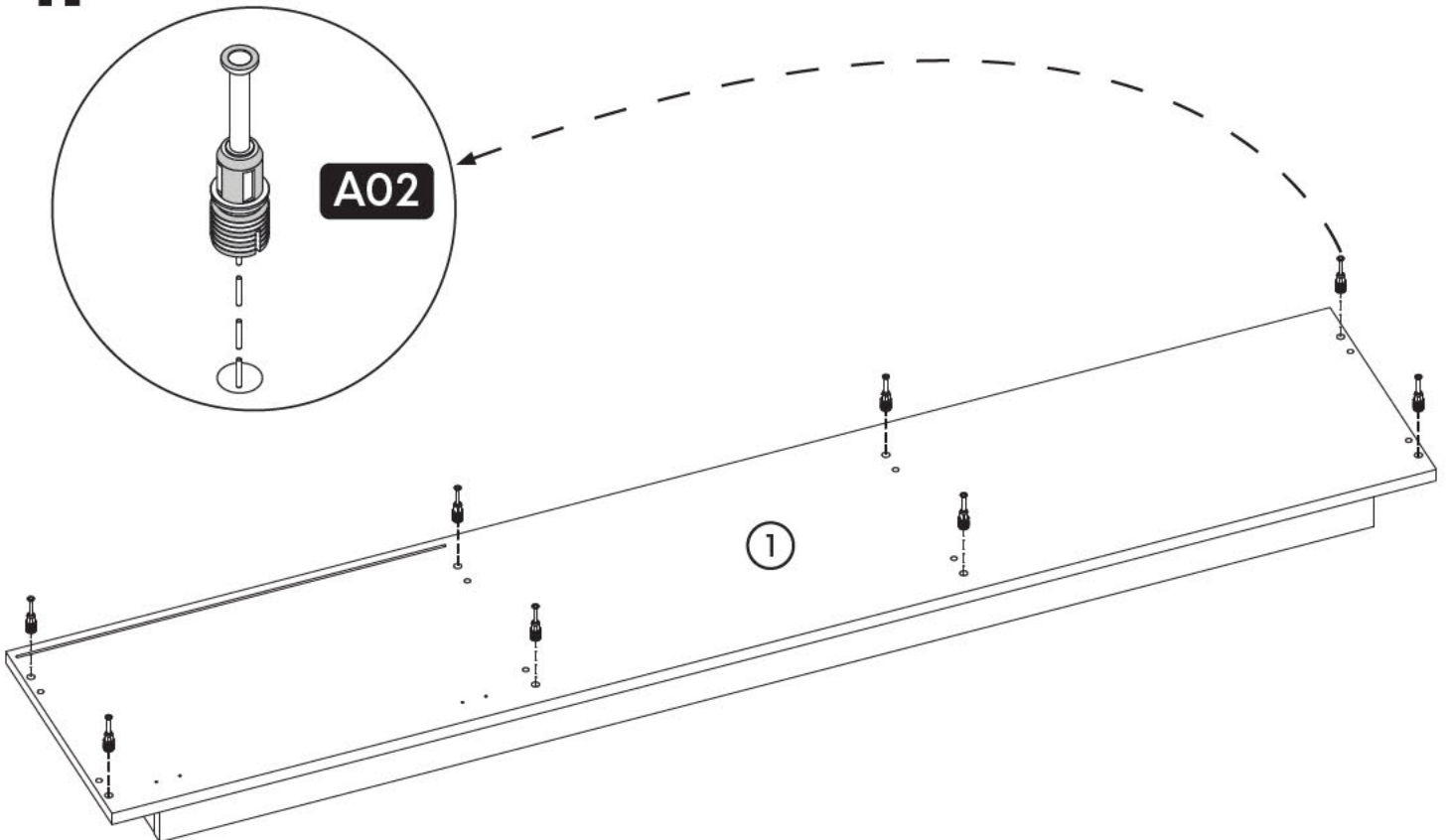
2.



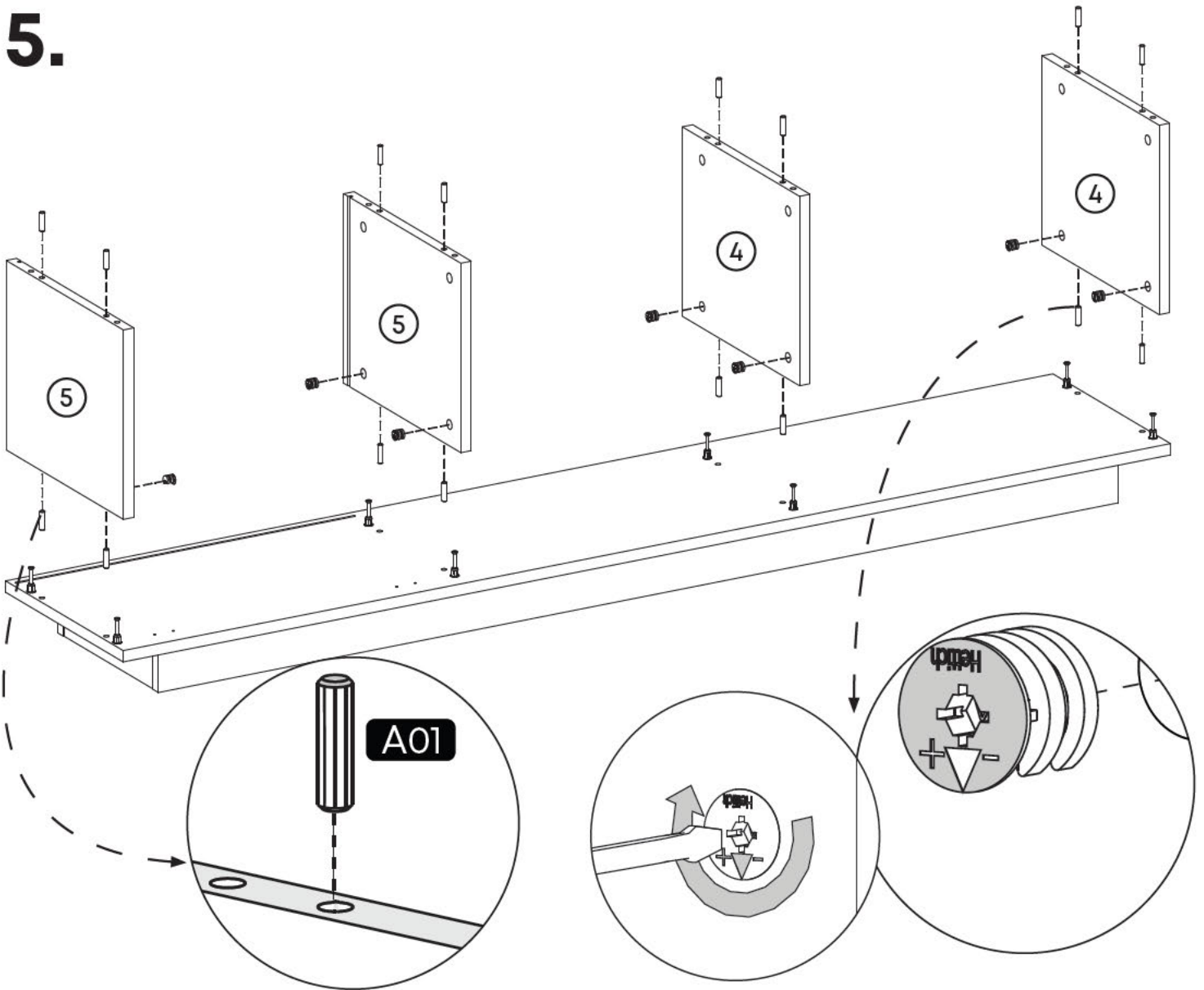
3.



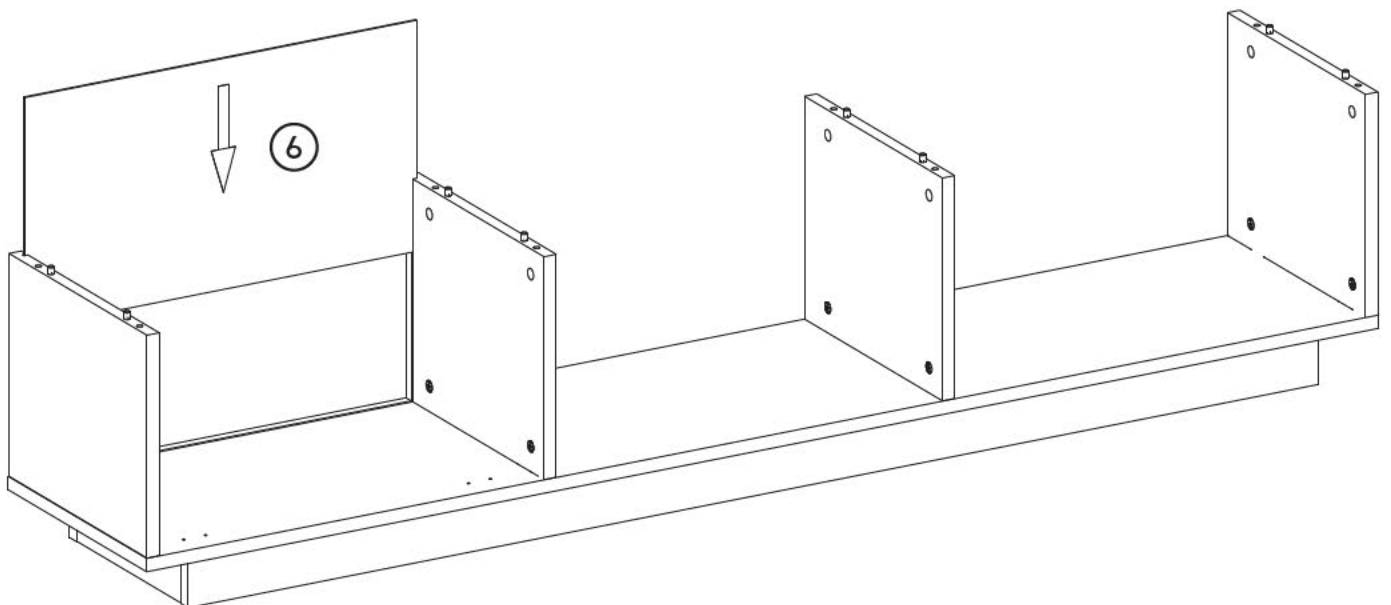
4.



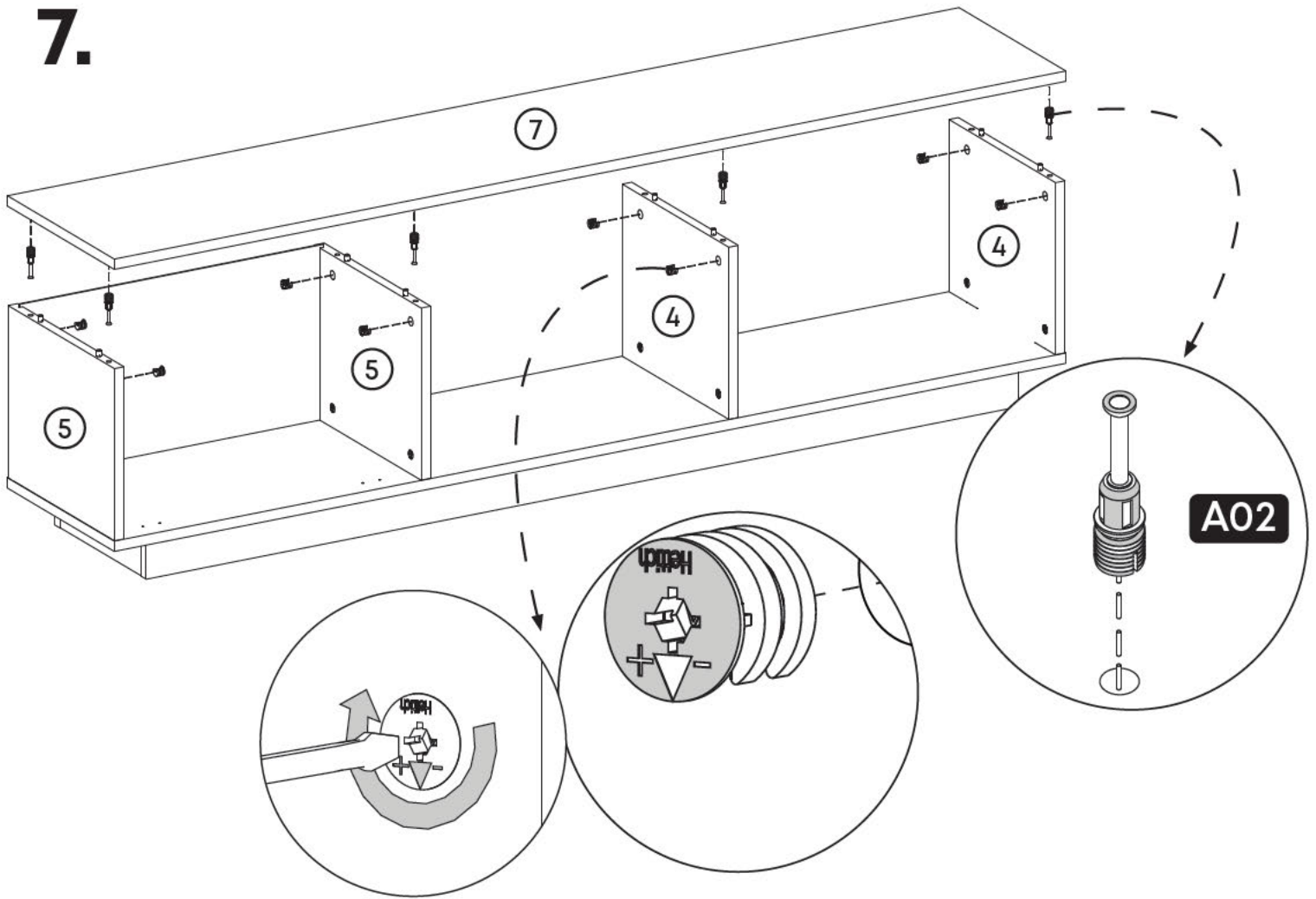
5.



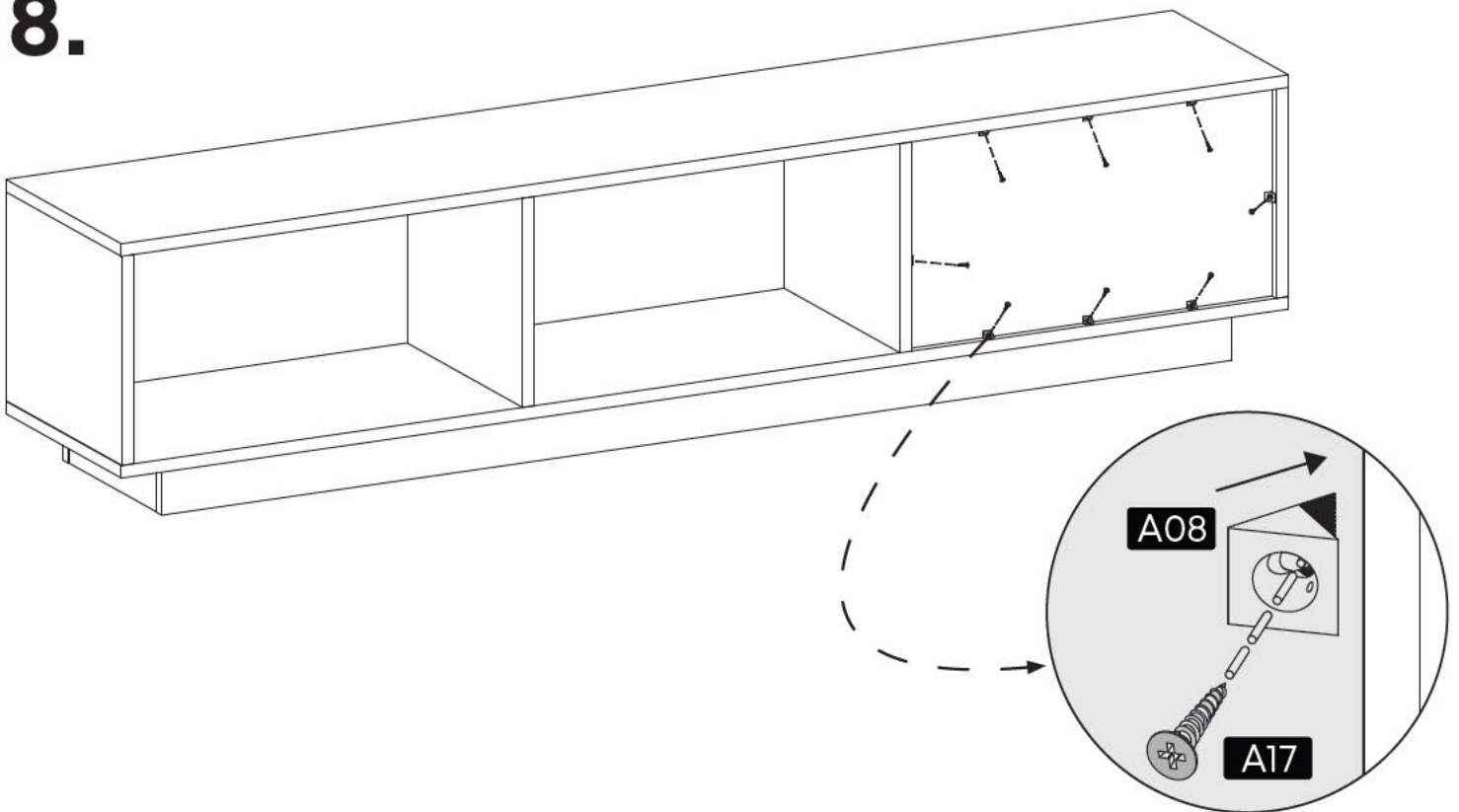
6.



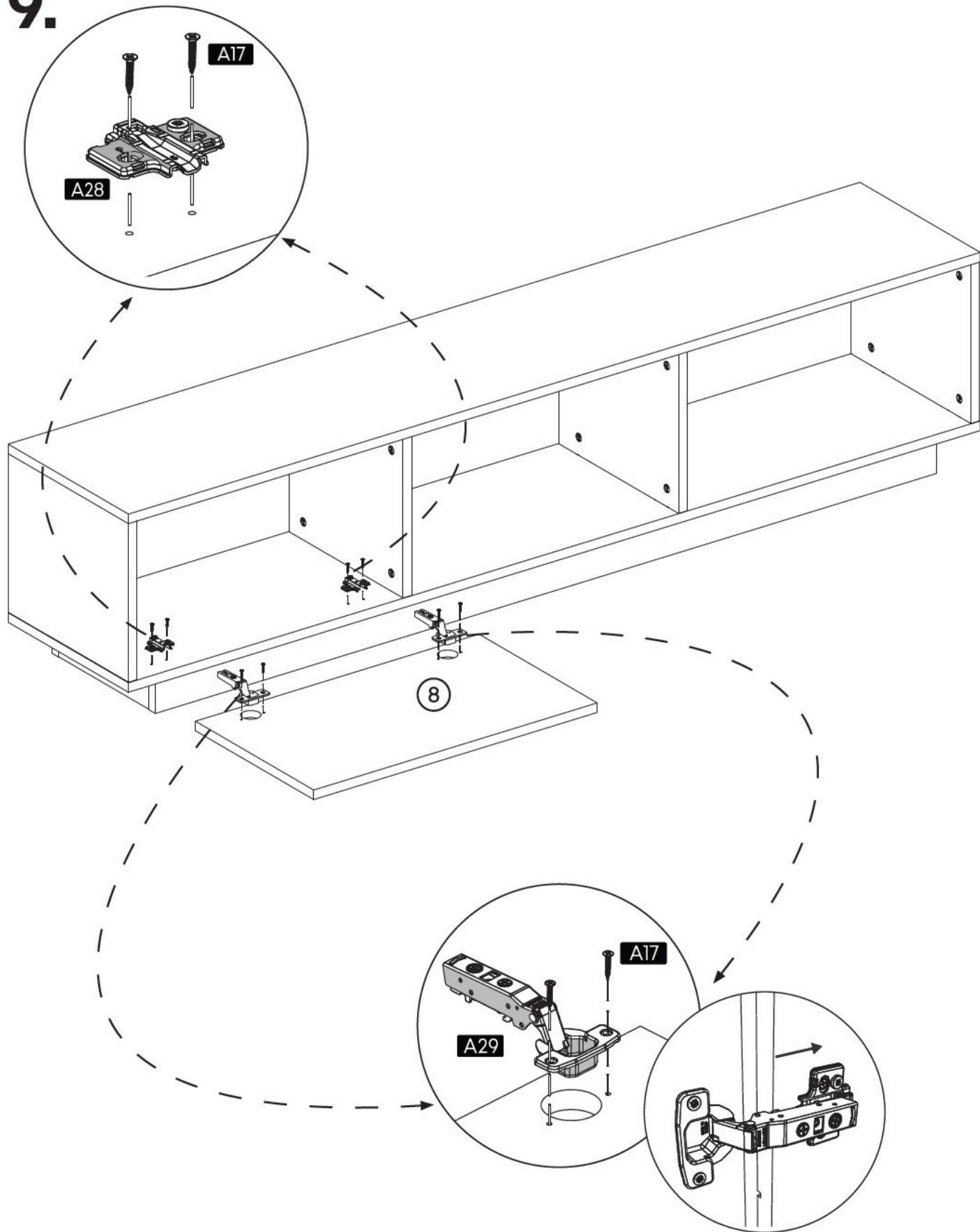
7.



8.

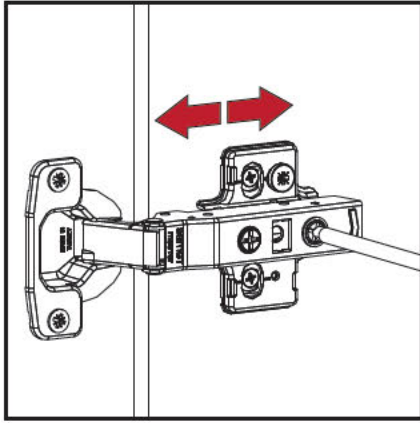


9.

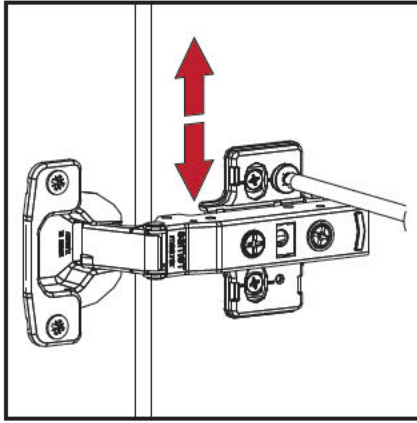


10.

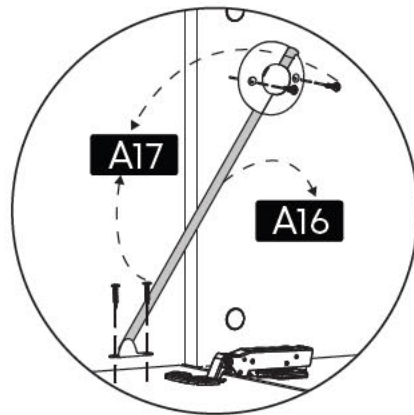
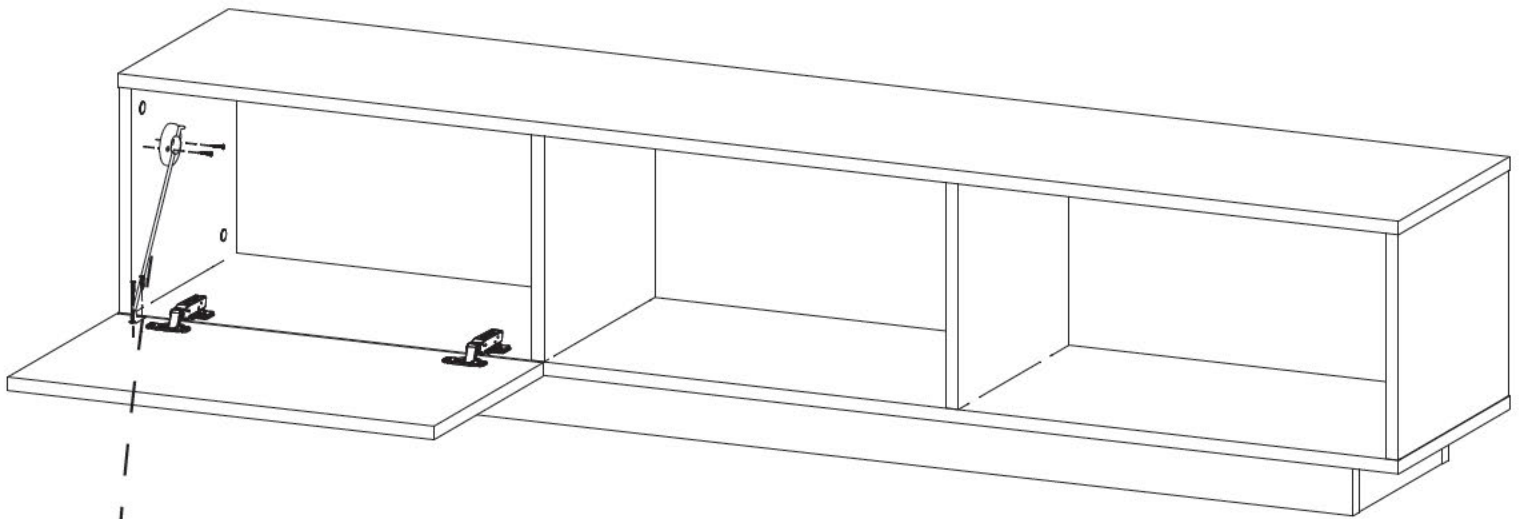
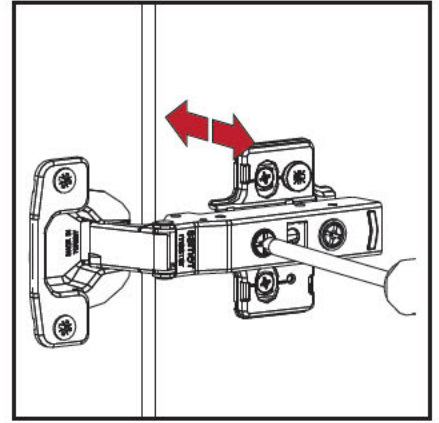
Settings of Hinge



Settings of Hinge



Settings of Hinge



11.

