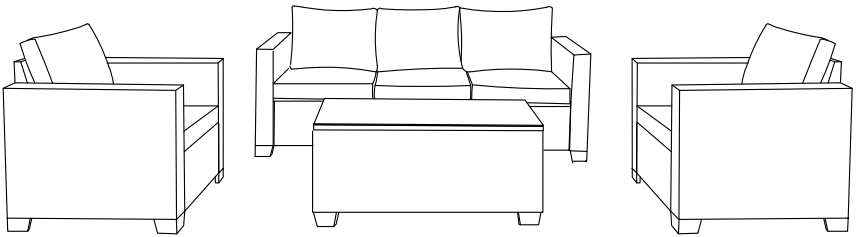


wixe



**ITEM NO.FOP-ODF518883201
FOP-ODF518883202
FOP-ODF518883203**

NOTE:

This brochure contains IMPORTANT safety info. Please read and keep for future reference.

MAINTAINANCE AND WARNING





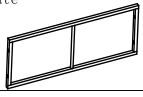

- Keep furniture away from heat and fire.
- Keep furniture away from sharp objects.
- Do not clean furniture with harsh cleansers or polish. Do not use detergents, Solvents, abrasives, spray packs or leather cleaner. Use non-color mild soap with warm water clean spills(Mix 1:10 soap to water)
- Do not place furniture under direct sunlight, material will possibly fade over time.
- Do not jump or strike on the furniture.
- Do not write on furniture without a padded barrier to protect the surface.
- Not for commercial use, For residential use only.

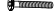







Weight Limitation

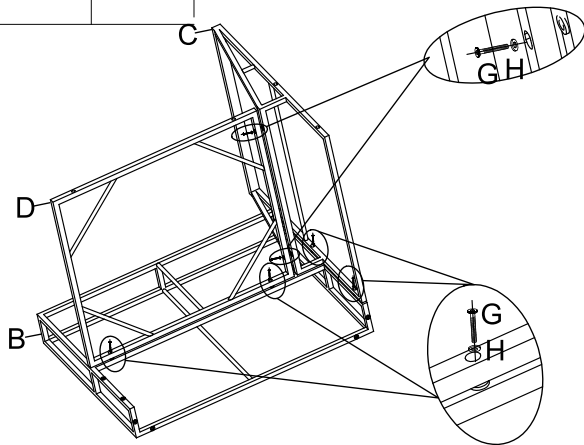
400LBS

Parts Lists:

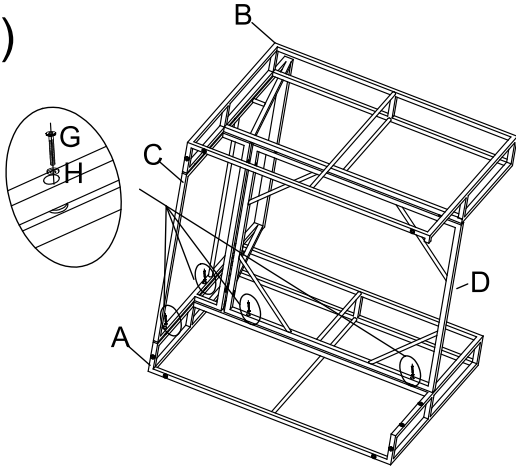
NO	Picture	Qty
A	Armrest (Right) 	1
B	Armrest (Left) 	1
C	Back 	1
D	Seat 	1
E	Side Plate 	1
F	L Foot 	4

G	Bolt  M6*30mm	15
L	Bolt  M6*45mm	9
H	Washer 	24
I	Allen Key 	1
J	Seat Cushion 	1
K	Back Cushion 	1

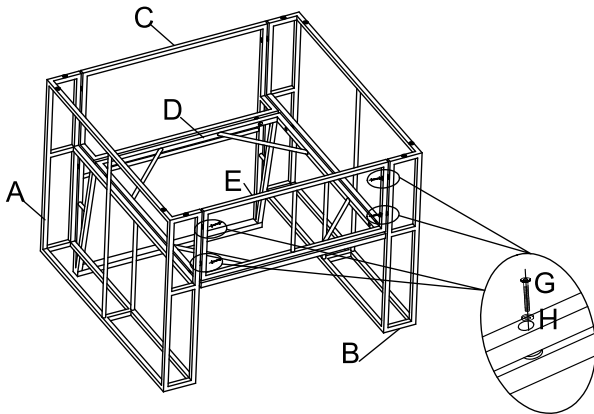
(1)



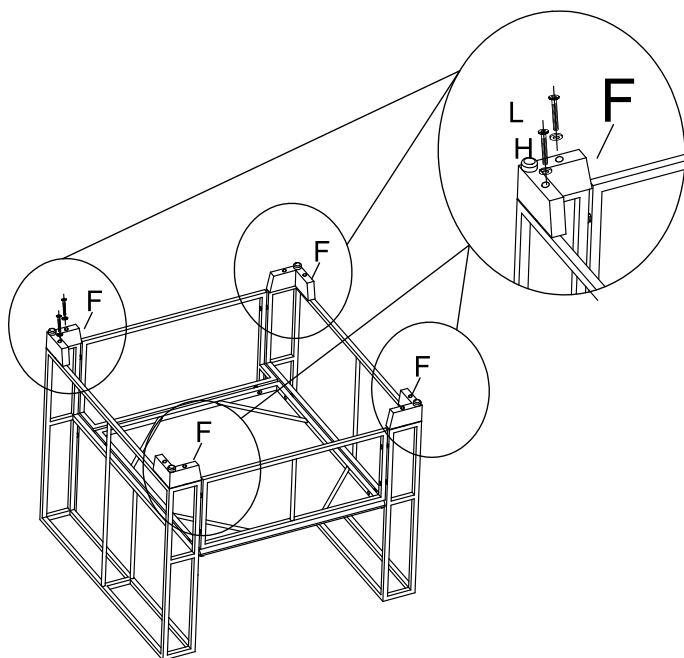
(2)



(3)

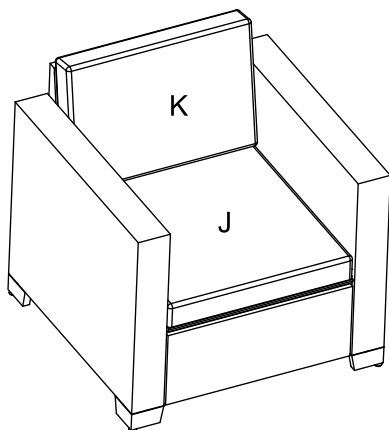


(4)






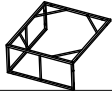









Using the allen key, tighten all screws.
Adjust the screw on the foot to make the
coffee table (chair) level.

(5)

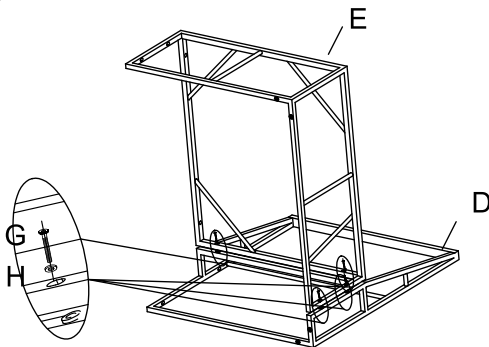


Parts Lists:

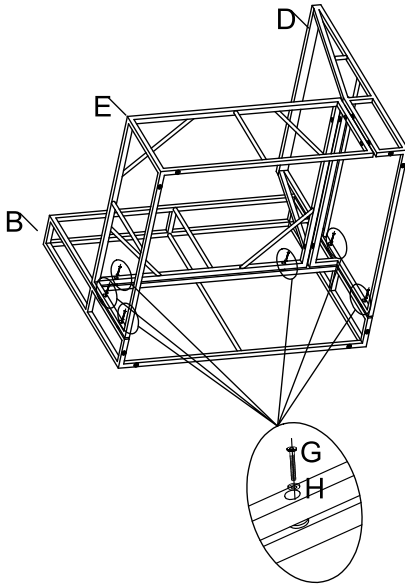
NO	Picture	Qty
A	Armrest (Right) 	1
B	Armrest (Left) 	1
D	Back (Left) 	1
D1	Back (Right) 	1
E	Seat (Left) 	1
E1	Seat (Right) 	1

F	L Foot 	8
G	Bolt M6*30mm 	21
L	Bolt M6*45mm 	17
H	Washer 	38
I	Allen Key 	1
J	Seat Cushion 	2
K	Back Cushion 	2

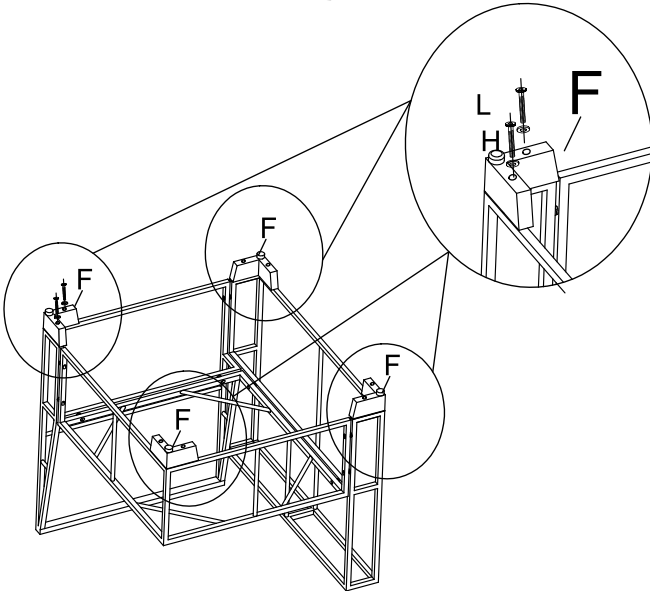
(1)



(2)

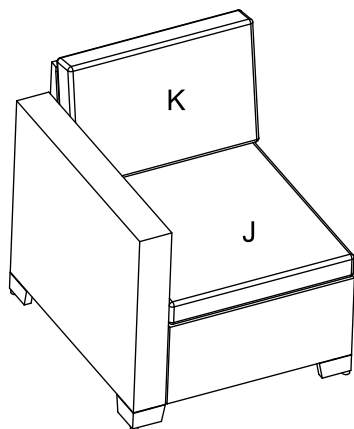


(3)

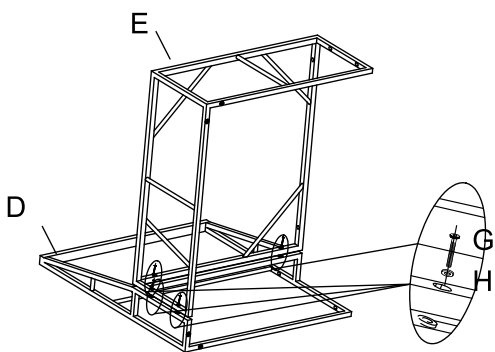


Using the allen key, tighten all screws.
Adjust the screw on the foot to make the coffee table (chair) level.

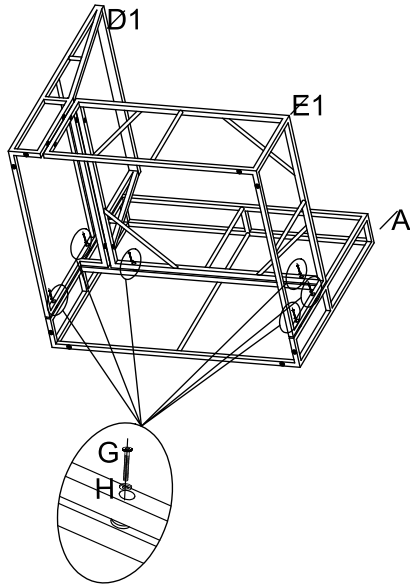
(4)



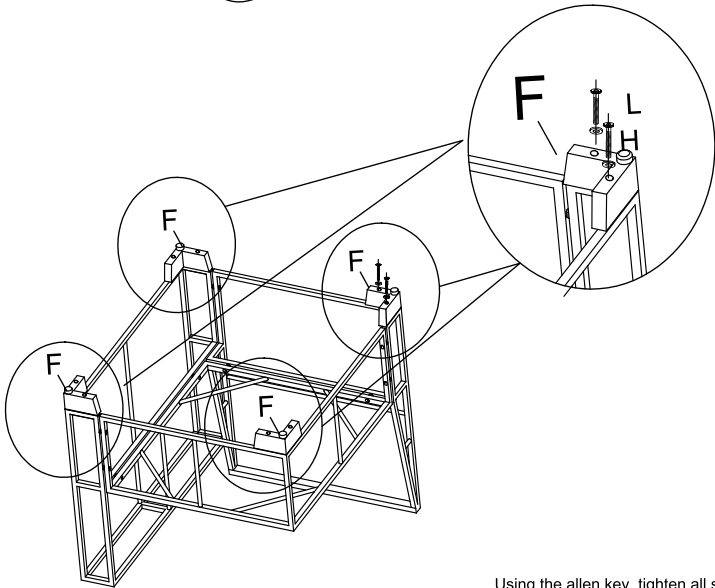
(5)



(6)

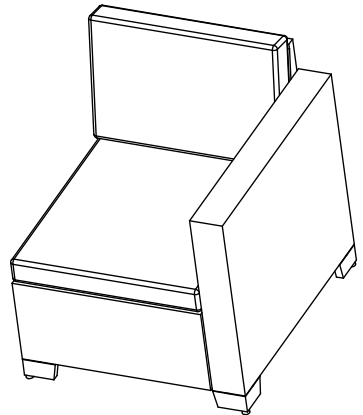
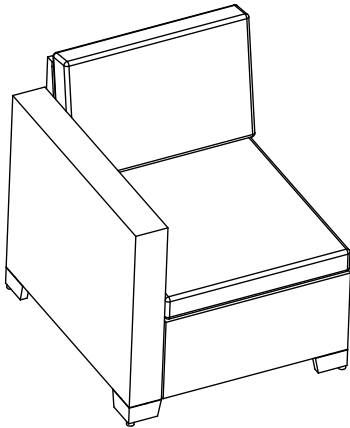
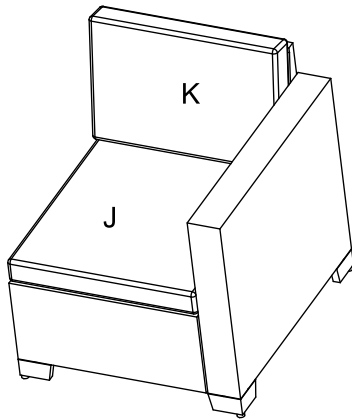


(7)




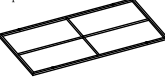
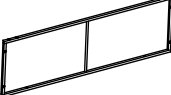

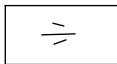










Using the allen key, tighten all screws.
Adjust the screw on the foot to make the
coffee table (chair) level.

(8)

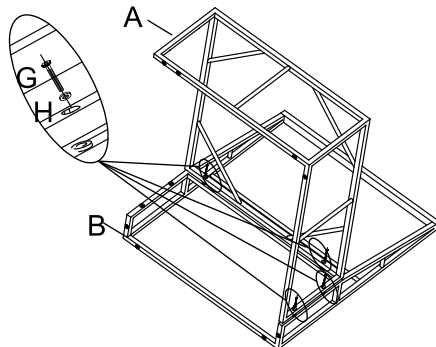


Parts Lists:

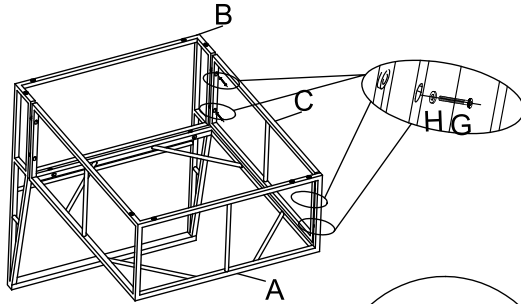
NO	Picture	Qty
A	Seat 	1
B	Back 	1
C	Side Plate 	1
D	Table top 	1
E	leg 	2
L	Side Plate 	2
Q	Glass 	1

M	- Foot 	5
F	L Foot 	3
G	Bolt  M6*30mm	21
N	Bolt  M6*45mm	17
H	Washer 	38
I	Allen Key 	1
J	Seat Cushion 	1
K	Back Cushion 	1

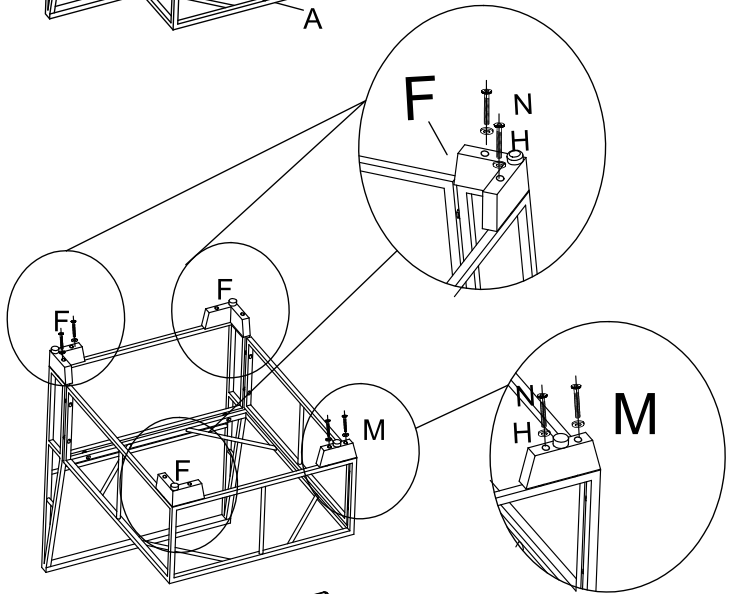
(1)



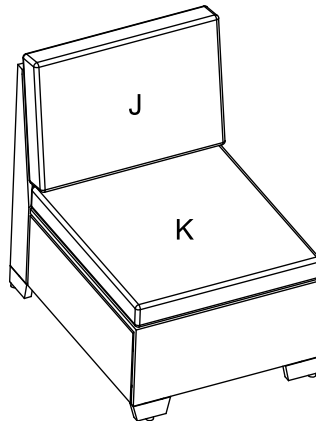
(2)



(3)

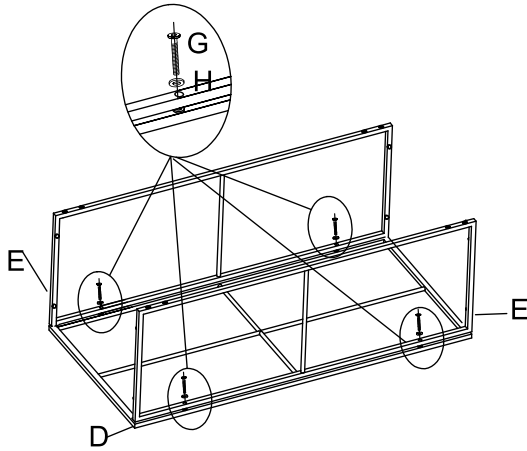


(4)

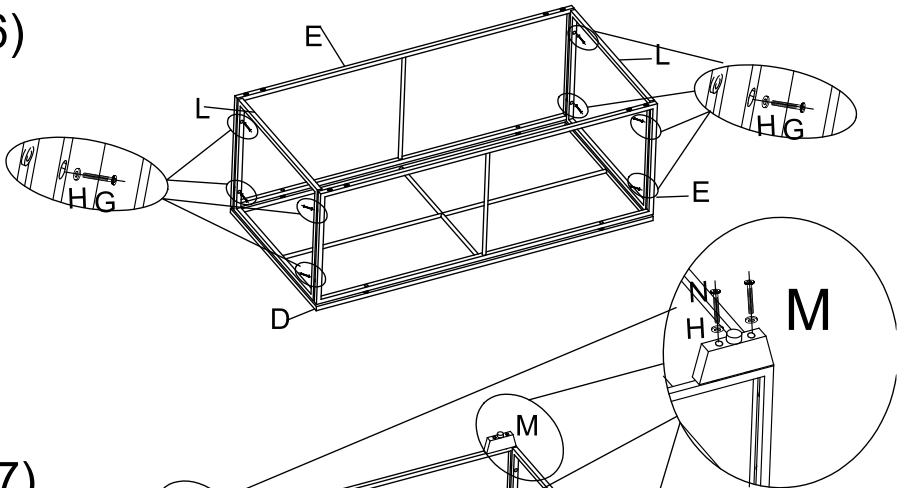


Using the allen key, tighten all screws.
Adjust the screw on the foot to make the coffee table (chair) level.

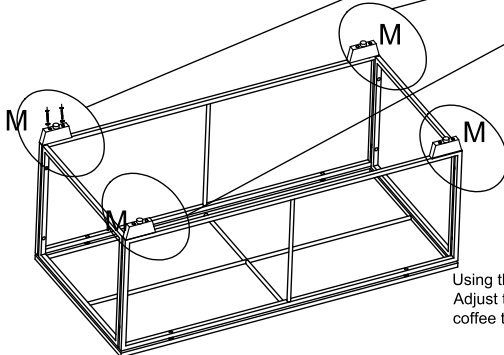
(5)



(6)

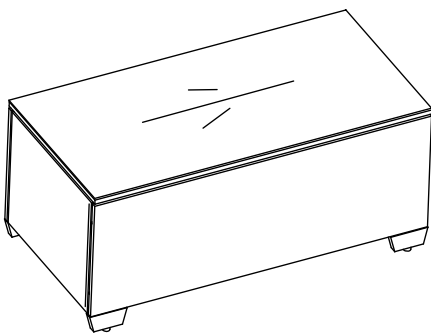
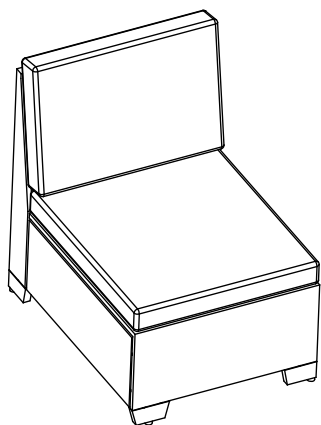
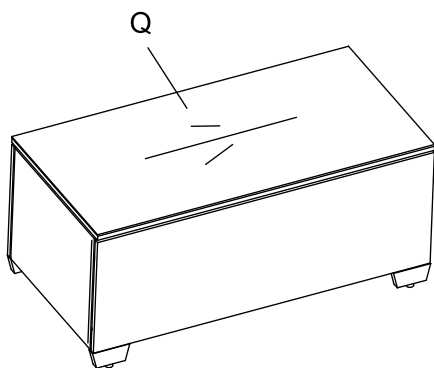


(7)



Using the allen key, tighten all screws.
Adjust the screw on the foot to make the coffee table (chair) level.

(8)



WARRANTY

We strive to offer high-quality products, and we also try our best to satisfy each and every customer that orders from us with product or service as needed.

Each customer must provide a record of their order such as the order number, or item receipt for any items that are out of the warranty period you may also still receive replacement parts by purchasing them with our company if they are available.

**Are you having difficulty
with assembly? Missing parts?**

Please contact us : info@firstopintl.com

telephone No.:5627813327

send email with your order No. to

**For return, please check the return policy with
the retailer or market place you bought from.**

Appreciate your purchasing from us.

Pop up your life by our furniture !