

Windsor
SERIES OF WOOD CHAIRS

PREVENT FALLS
STAY AT HOME LONGER!

Windsor Swivel Chair w/ Caddie

Seat: **Swivels-Locks** / Chair: **Rolls** (Inline)

- Solid Wood Frame - Armed
- Carriage Bolts Create a Durable Seat-to-Frame Connection
- Armrest for Getting In and Out of Chair

- 3-Position Locking Swivel Assembly
- Hand Release Lever (Right Side)

- Chair Caddie CCA/5 (Rolls Inline)
- Anti-tip Glides
- Rear Locking Foot Brakes

- **Wood Frame: 2-year Warranty**
- **Components: 10-year Warranty**

Benefits

- Prevent Falls
- Easy and Safe to Operate
- Rolls on Lino, Tile, and Most Carpets
- Eliminates Trip Zone Hazards (see back page)

Specifications

Locking: Left, Center, and Right

Dimensions: 23¾"W x 21⅞"D x 38¾"H

Seat Pan: 19" W x 18"D

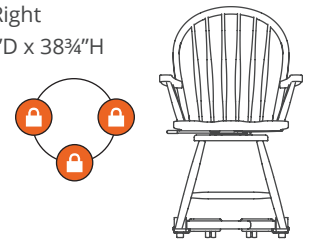
Seat Height: 19¼"

Arm Height: 27½"

Arm ID: 19½"

Weight: 35 Lbs.

Weight Capacity: 250 Lbs.



Carriage Bolts (4X)



Additional Models Available



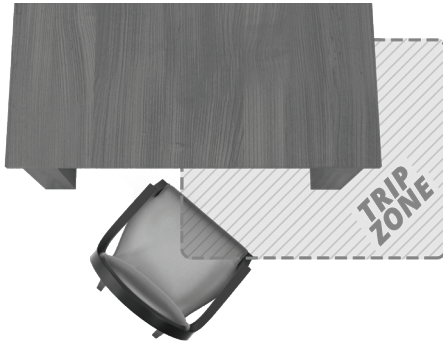
Swivel Chair



Armed Chair w/ Caddie CCA

Why Chairs FAIL....

- ⊗ Chairs are not **designed to move**
- ⊗ Chairs require **friction** to remain upright / stable
- ⊗ Cushioned flooring can cause chair legs to get **'stuck'**
- ⊗ Castered chairs **roll / move prematurely** making them unsafe



The Trip Zone...

The **'Trip Zone'** is the area around the front of table into which a person needing assistance must navigate. Trips and falls occur often in this area as both the senior and caregiver are required to:

- (1) shuffle sideways
- (2) step backwards
- (3) lean on the table

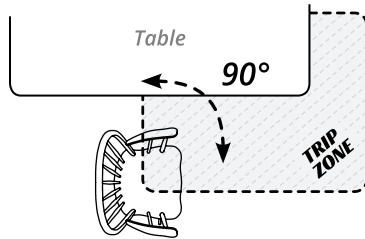
as the senior is helped into the chair.



Seating Innovations Designed to Navigate the Trip Zone SAFELY...



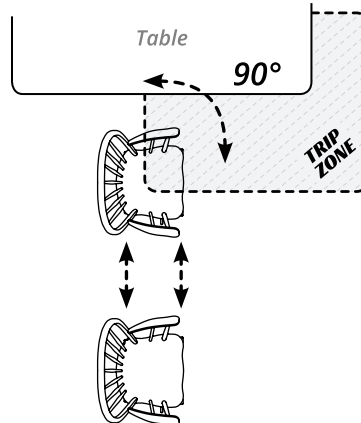
Seat: **Swivels-Locks**



FALL RISK: LOW ▼



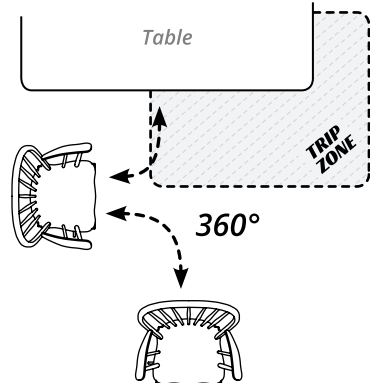
Seat: **Swivels-Locks**
Chair: **Rolls (Inline)**
Brakes for safety



FALL RISK: LOW ▼



Chair: **Rolls, Turns (360°)**
Brakes for safety



FALL RISK: LOW ▼



Watch product videos at www.comfortek.com/wayfair