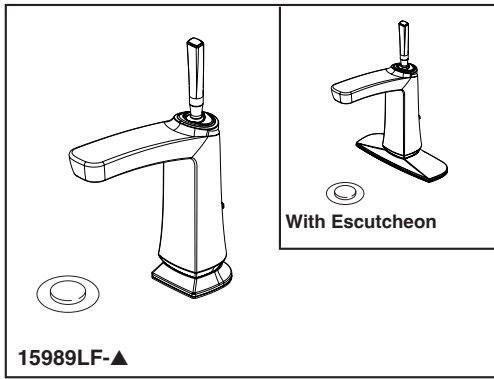




see what Delta can do™

BATHROOM FAUCET

- Vesna® Bath Collection
- Single Handle Deck Mount



STANDARD SPECIFICATIONS:

- Max flow rate 1.2 gpm @ 60 psi, 4.5 L/min @ 414 kPa
- Diamond coated ceramic cartridge
- One or three-hole mount (escutcheon included)
- Polymer braided flexible supply hose with 3/8" compression fitting thread connection
- Handle rotates 22°
- Control handle shall return to neutral position when valve is turned off
- Control mechanism is replaceable cartridge with ceramic plates
- Models have drain with pop-up type fitting with plated flange and stopper
- Drain operates using vertical slide mechanism
- Red/blue indicator markings

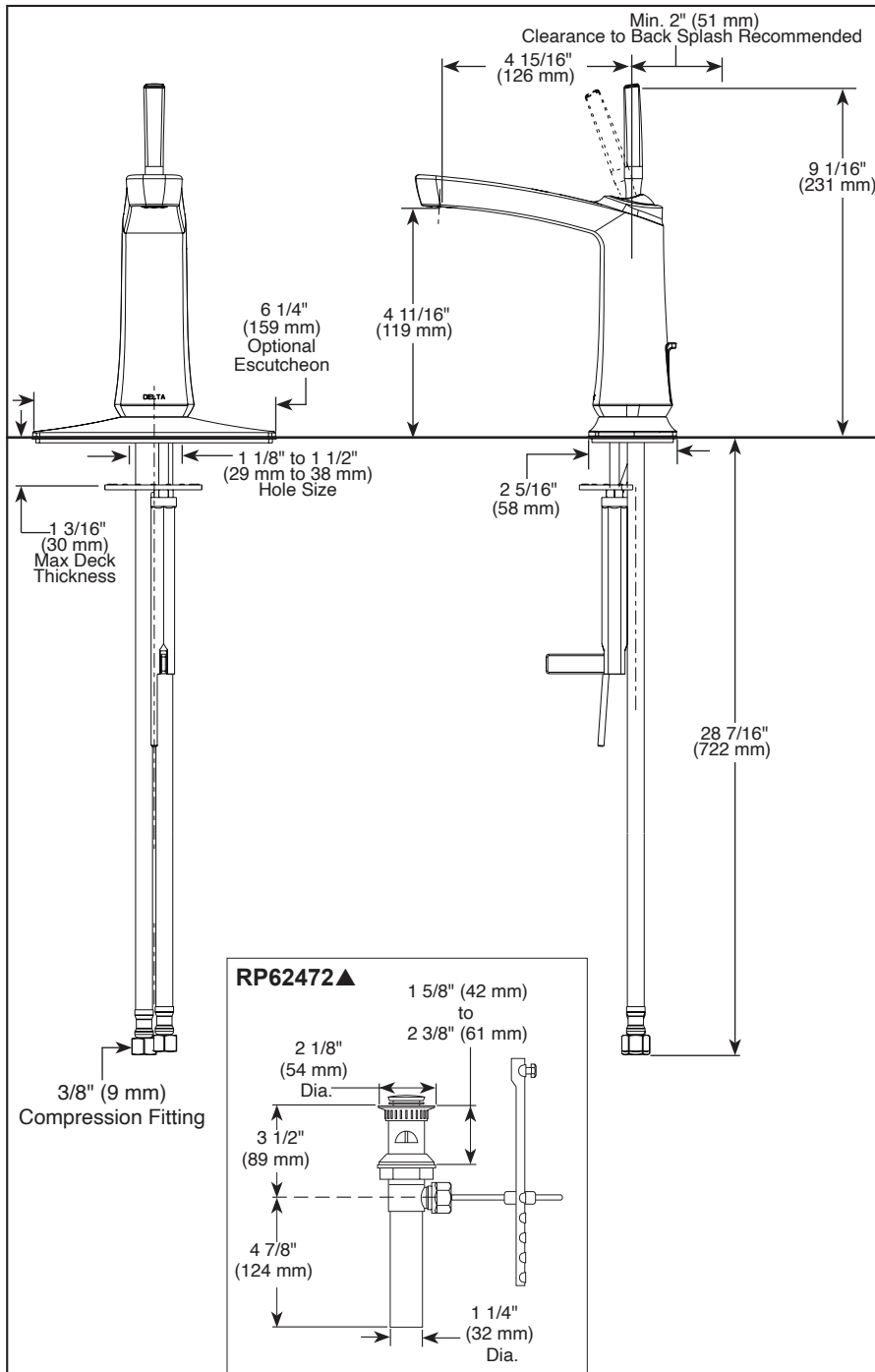
WARRANTY

- Parts and Finish - Lifetime limited warranty; or for commercial purchasers, 10 years for multi-family residential (apartments and condominiums) and 5 years for all other commercial uses, in each case from the date the product is received by the original purchaser or their authorized representative (installation contractor, etc.).
- Please go to www.deltafaucet.com for the complete details of our limited warranty.



COMPLIES WITH:

- ASME A112.18.1 / CSA B125.1
- ASME A112.18.2 / CSA B125.2
- EPA WaterSense®
- ♿ ICC/ANSI A117.1 - Valve control only



▲ Designate Proper Finish Suffix

Delta Faucet Company reserves the right (1) to make changes in specifications and materials, and (2) to change or discontinue models, both without notice or obligation. Dimensions are for reference only. See current full-line price book or www.deltafaucet.com for finish options and product availability.

DSP-L-15989LF Rev. D

Delta Faucet Company

55 E. 111th Street, Carmel, Indiana 46280
 350 South Edgeware Road, St. Thomas, Ontario Canada N5P 4L1
 © 2024 Delta Faucet Company