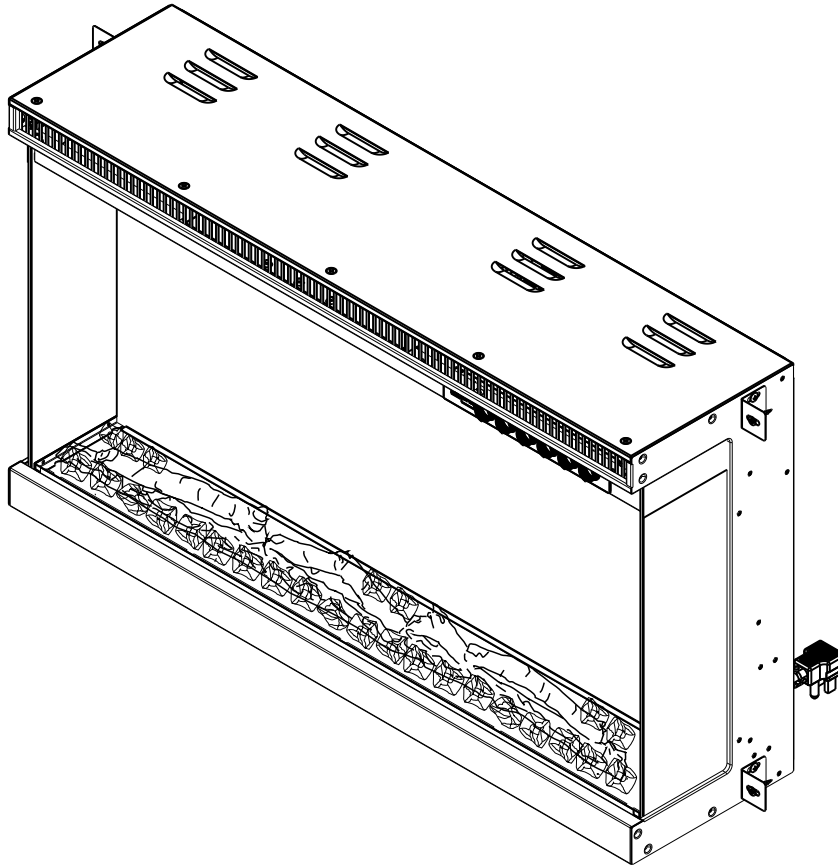


INSTRUCTION MANUAL








Electric Fireplace



DO NOT RETURN!

Please contact our customer service team for help first.

Table of Contents

 IMPORTANT SAFETY INFORMATION	3
 PREPARATION	5
 Specification and Dimension	6
 Installation and Assembly	7
 Methods of Operation	16
 Troubleshooting	19
 Technical Support	20

Always use a qualified technician or service agency to repair this fireplace.

! NOTE: Procedures and techniques that are considered important enough to emphasize.

! CAUTION: Procedures and techniques which, if not carefully followed, will result in damage to the equipment.

! WARNING: Procedures and techniques which, if not carefully followed, will expose the user to the risk of fire, serious injury, or death.

IMPORTANT SAFETY INFORMATION!



WARNING



- **Read all instructions before using this heater!**
- This heater is hot **when in use**. To avoid burns, **DO NOT** let bare skin touch hot surfaces. If provided, use handles when moving this heater. Keep **combustible materials**, such as furniture, pillows, bedding, papers, clothes, and curtains at least **3 feet (0.9m)** from the front of **the heater**, and **keep them away from the sides and rear**.
- **Extreme caution** is necessary when any heater is used by or near children or invalids and whenever the heater is left **operating and unattended**.
- **DO NOT** operate any heater with a **damaged cord or plug** or after the **heater malfunctions**, has been **dropped** or **damaged in any manner**, Discard heater, or return to authorized service facility for examination and /or repair.
- **DO NOT** run power cord under carpeting. **DO NOT** cover power cord with throw rugs, runners, or similar coverings. **DO NOT** route power cord under furniture or appliances. Arrange power cord away from **traffic area**, and where it will not be tripped over.



WARNING



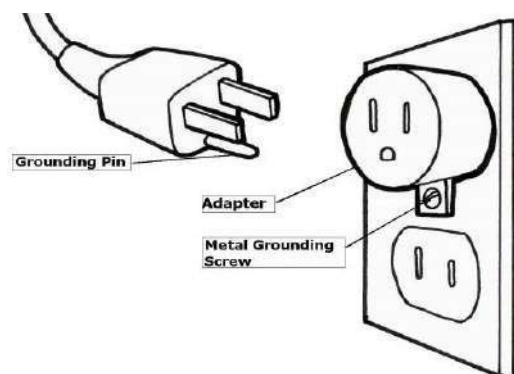
- **Connect to properly grounded outlets ONLY.**
- **DO NOT** insert or allow foreign objects to **enter any ventilation or exhaust openings**, as this may cause **electric shock** or **fire**, or **damage the heater**.
- To prevent a possible fire, **DO NOT** block air intakes or exhaust in any manner. Doing so could cause a fire. **DO NOT** use on soft surfaces, like a bed, where openings may become blocked.
- A heater has **hot and arcing or sparking parts inside**. **DO NOT** use it in areas where **gasoline, paint, or flammable liquids** are used or stored.
- **Use this heater only as described in this manual. Any other use not recommended by the manufacturer may cause fire, electric shock, or injury to persons.**
- **ALWAYS** plug heaters directly into a wall outlet/receptacle. **Never use with an extension cord or relocatable power tap (outlet/power strip).**
- **DO NOT** place the heater near a bed because objects such as pillows or blankets can fall off the bed and be ignited by the heater.
- **NEVER** use this heater in **bathrooms, laundry rooms**, or any other location where the heater could fall into a **bathtub** or **pool**, **become damp** or **come in contact with water**.
- **AVOID FIRE!** Regularly inspect all air vents to make sure they are free from dust, lint, or other

Blockage. **Unplug the unit** and clean with a **vacuum ONLY**. **DO NOT** rinse or get wet.

- **ALWAYS** mount to wall bracket(or recessed to wall / or install free standing legs) before use. **DO NOT** set on the floor, or other surface, to use.
- **NEVER** use a wall mount bracket from another manufacturer.
- This product is **not intended** to be a **primary heat source**. It is for **supplemental heat only**.
- **INDOOR use only! NEVER** use this heater **outdoors!** Doing so may result in **electric shock!**
- **Risk of electric shock! DO NOT OPEN!** No user-serviceable parts inside!
- **ALWAYS** turn this heater off before unplugging it from the outlet.
- **ALWAYS disconnect** this unit from the **power** supply **before** performing any assembly or cleaning, or before relocating the electric fireplace.
- **NEVER** leave this heater unattended. **ALWAYS** unplug this heater when not in use.
- **ALWAYS** store this heater in a dry location. **NEVER** use the fireplace if it has become wet.
- **NEVER** plug this heater into an outlet that is **old, cracked,** or has any **loose wires or connections**. Plugging this heater into a faulty outlet could result in **electric arcing** within the outlet that could cause the **outlet to overheat or catch fire**.
- **ALWAYS** check your heater cord and plug connections with **each use!**
 - i) **MAKE SURE** the plug fits tight in the outlet! Faulty wall outlet connections or loose plugs can cause the outlet to overheat.
 - ii) **Heaters draw more current** than small appliances. **Overheating** may occur even if it has not occurred with the use of other appliances.
 - iii) During use **check frequently** to see if the **plug outlet or face plate is HOT!**
 - iv) If the outlet or face plate is **HOT, discontinue use immediately** and have a qualified electrician inspect and/or replace the faulty outlets.

- The power cord supplied with the heater has a plug with two flat blades (live and neutral) and one round pin (ground). If a 3-slot receptacle is not available, an adapter **MUST** be used. The adapter **MUST** be **properly grounded** to the outlet box (see figure at right).(Note:Adapter NOT INCLUDED.)

- **SAVE THESE INSTRUCTIONS!**

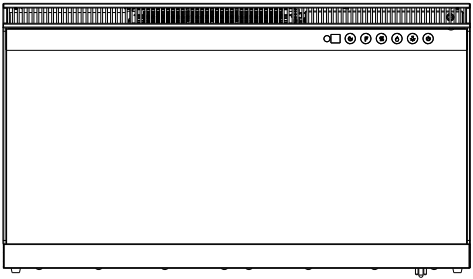


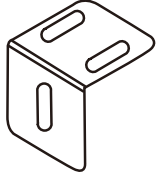
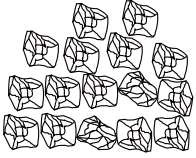


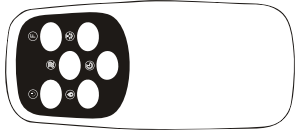


PREPARATION



This product includes a **GLASS panel!** Always use **extreme caution** when handling **glass**. Failure to do so could result in **personal injury or property damage**.

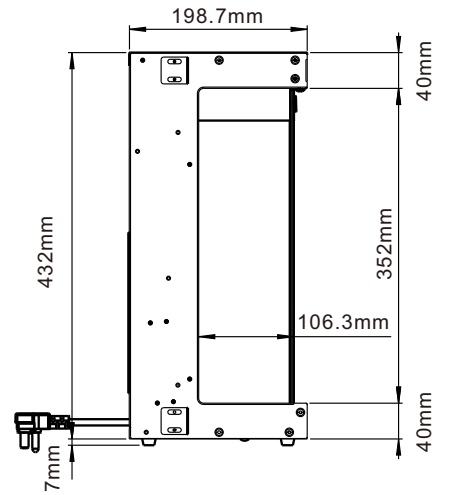
Remove all parts and hardware from the carton and place them on a clean, soft, dry surface. Parts and assembly steps are grounded for wall-hanging or recessing use. Check the parts list to make sure nothing is missing. Dispose of packaging materials properly. Please recycle whenever possible. You will need the following tools (not included): Phillips screwdriver; stud finder; level; tape measure; electric drill; 1/4" wood drill bit, hammer.

A  Fireplace 1PC	B 4X10MM Screw  12PCS	
C 4X25MM Screw  4PCS	D fasten bracket  4PCS	E Crystal stone  1BAG
F Carbon log  1BOX	G Rubber Mat  4PCS	E Remote Control  1PC

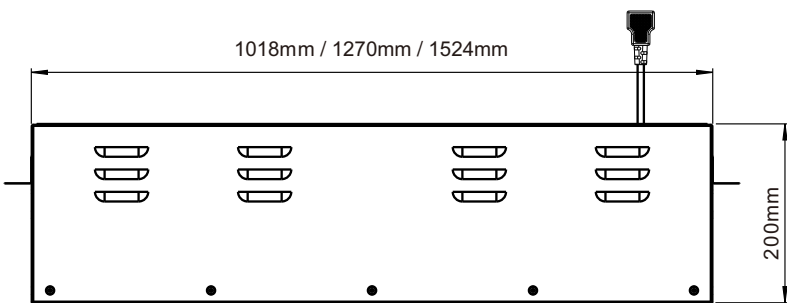
Specification and Dimension



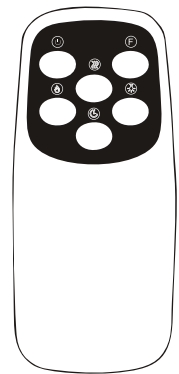
Front View



Side View



Top View



Remote Control

PRODUCT ASSEMBLY

FREESTANDING INSTALLATION

1

Remove four pcs of black screws out of appliance, please see Fig.1

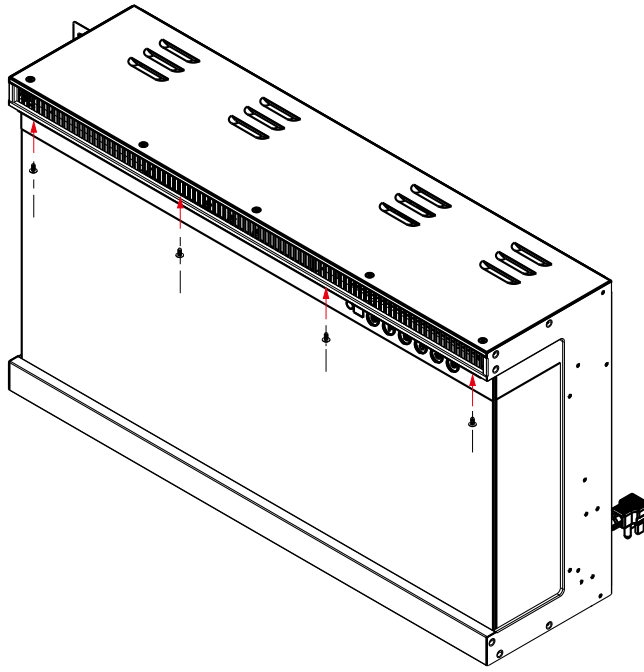


Fig1

2

Take and pull up the front tempered glass out off appliance. See Fig.2

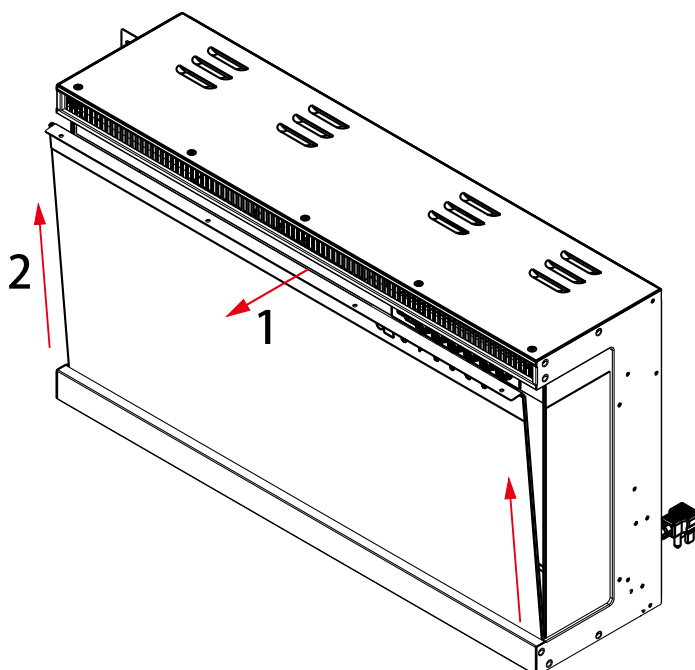


Fig2

PRODUCT ASSEMBLY

FREESTANDING INSTALLATION

3

Take the logs' carbon box out off appliance, See Fig.3.

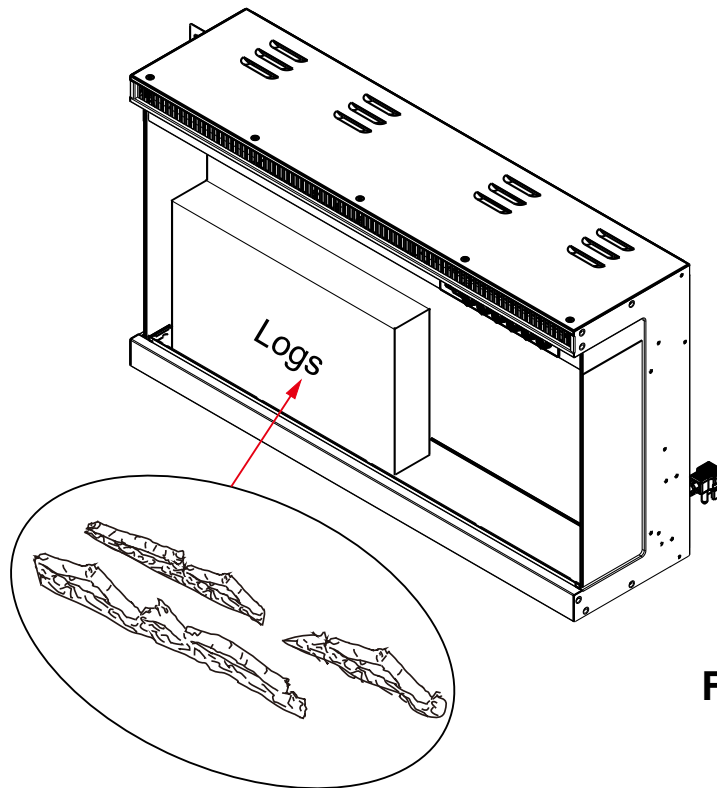


Fig3

4

Lay the heater on the floor or a soft place, install the rubber mats "G" with 4pcs screws "B" (4x10mm) as provided see Fig.4.

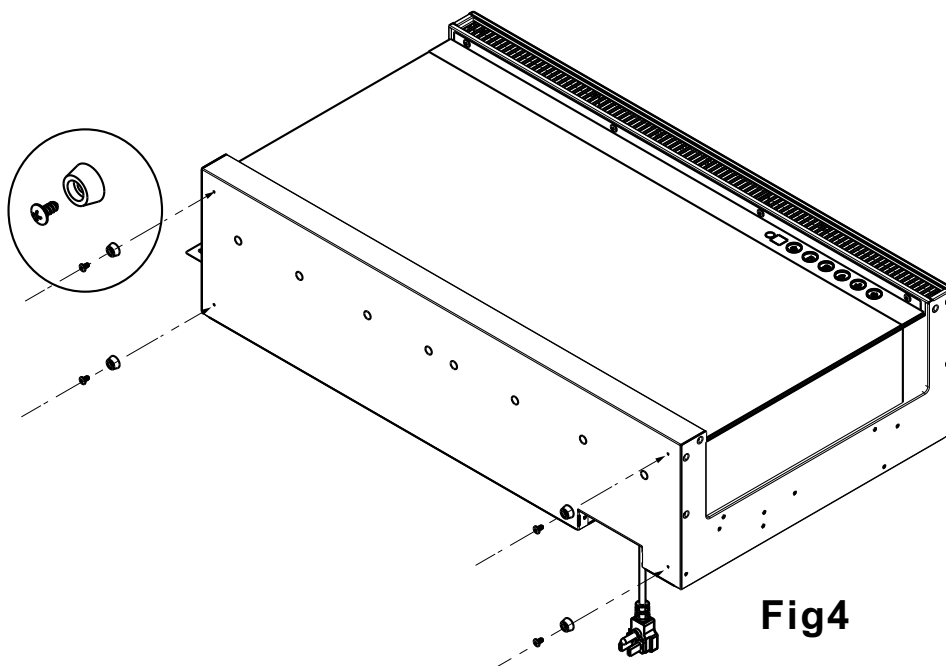


Fig4

PRODUCT ASSEMBLY

FREESTANDING INSTALLATION

5

Put the crystal stone "E" and carbon log "F" to bed. see Fig.5.

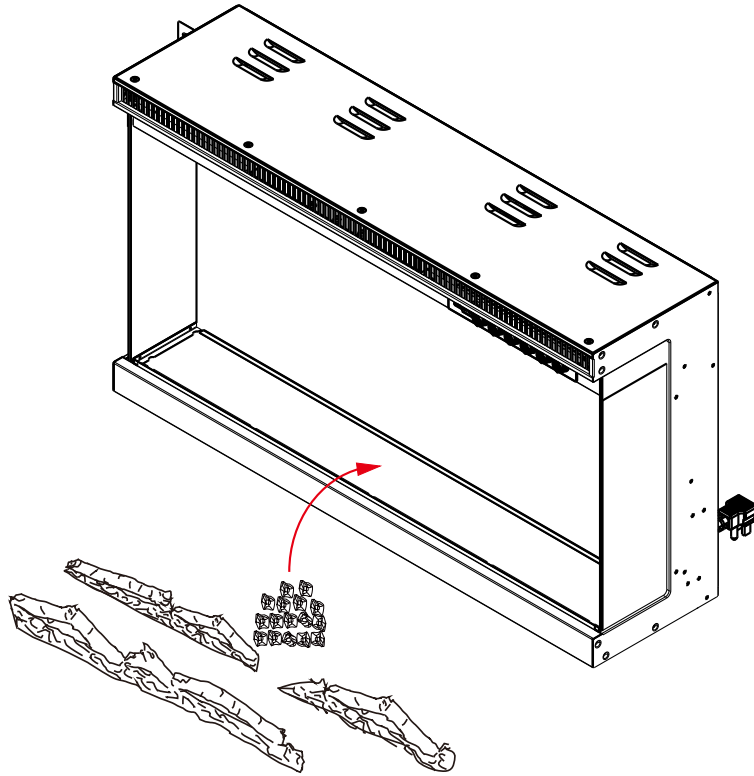


Fig5

6

Insert and restore the tempered glass to original location. see Fig.6.

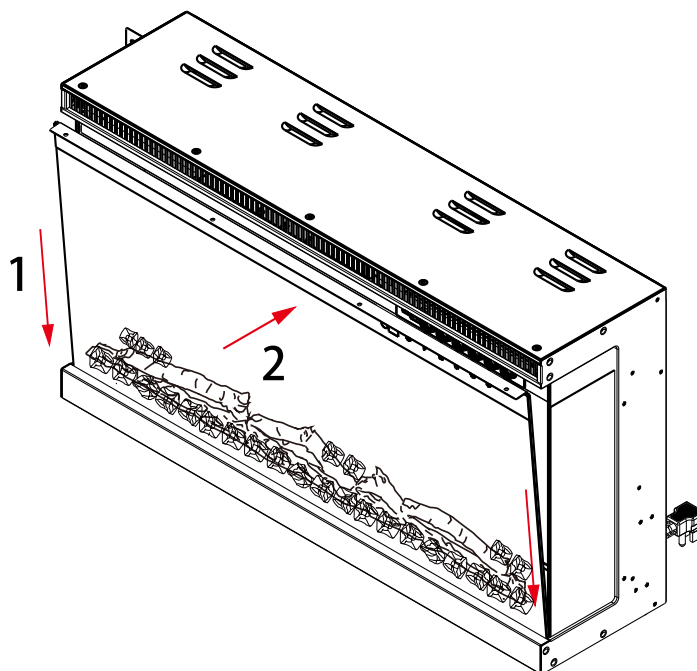


Fig6

PRODUCT ASSEMBLY

FREESTANDING INSTALLATION

7

Use original 4x8mm screws to fasten the tempered glass. see Fig.7.

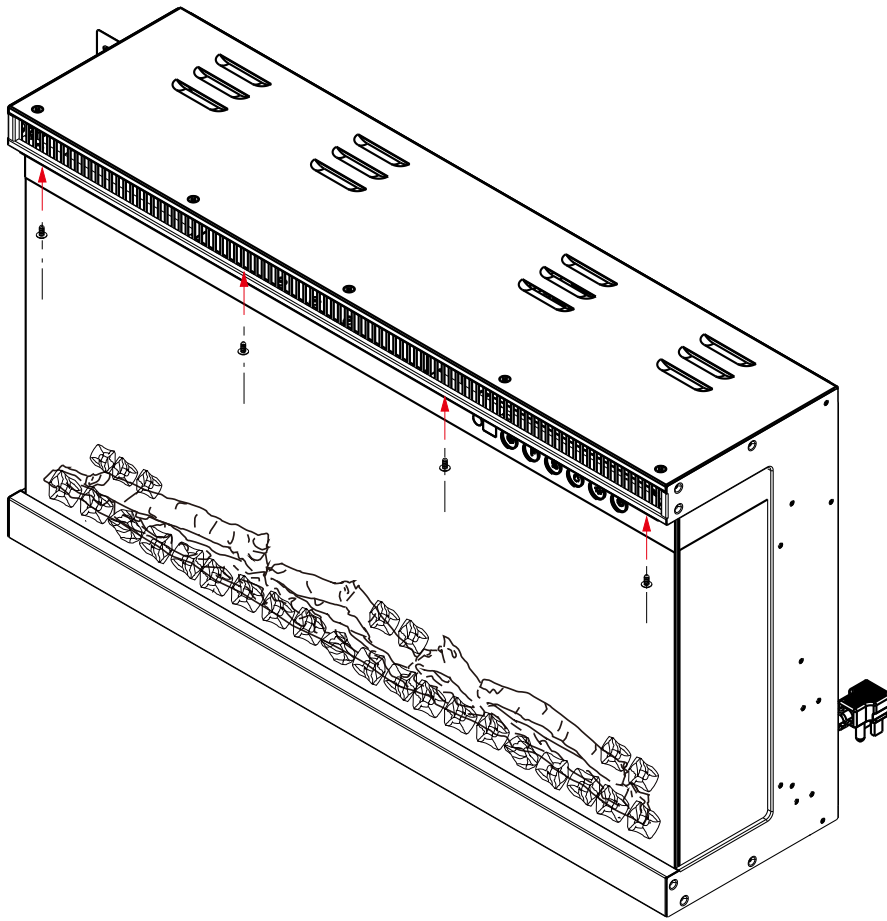
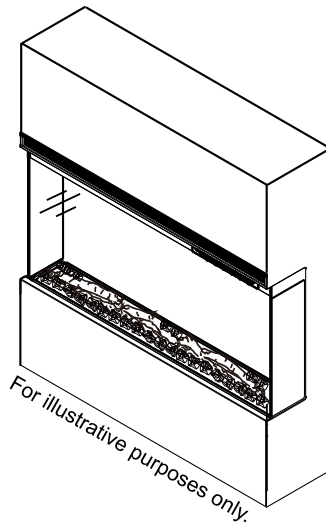


Fig7

Your appliance is capable of three unique installation configurations: three-sided, two-sided, and single-sided.

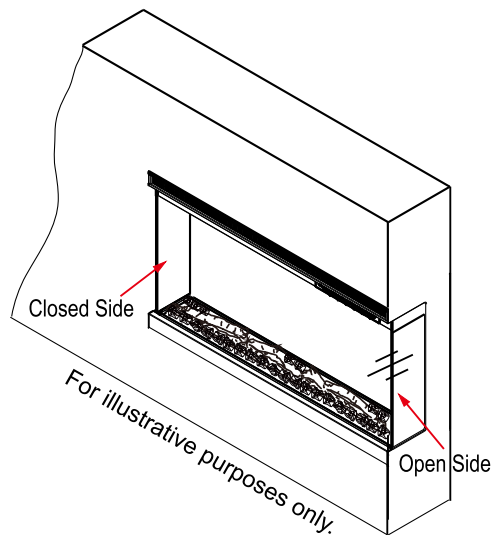
Three-Sided Viewing Installation

Appliance is fully recessed into the wall with both sides open:
Front, left, and right side views.



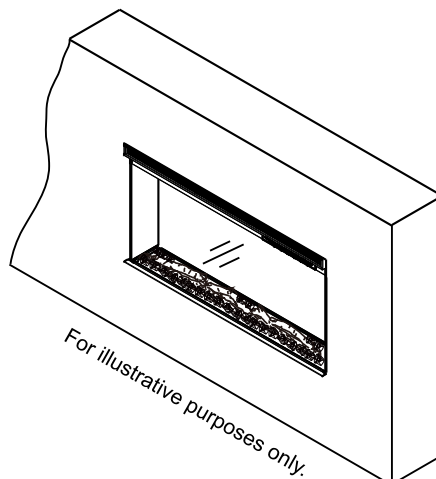
Two-Sided Viewing Installation

Appliance is fully recessed into the wall with one side open:
Front view and left/right side view, depending on desired open/closed sides.



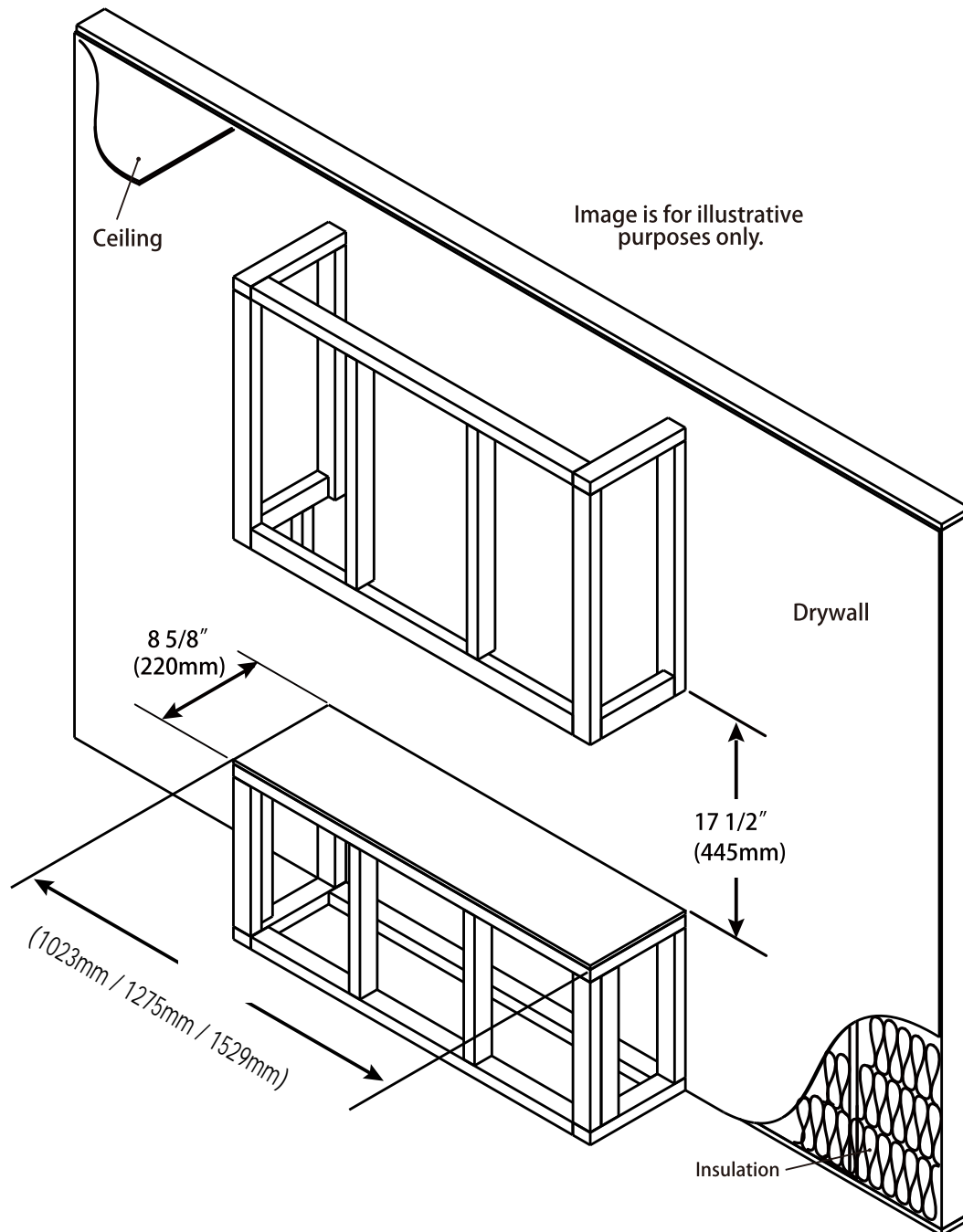
Single-Sided Viewing Installation

Appliance is fully recessed into the wall: **Left and right side views are covered.**



PRODUCT ASSEMBLY

RECESSED TO WALL INSTALLATION (fasten from front)



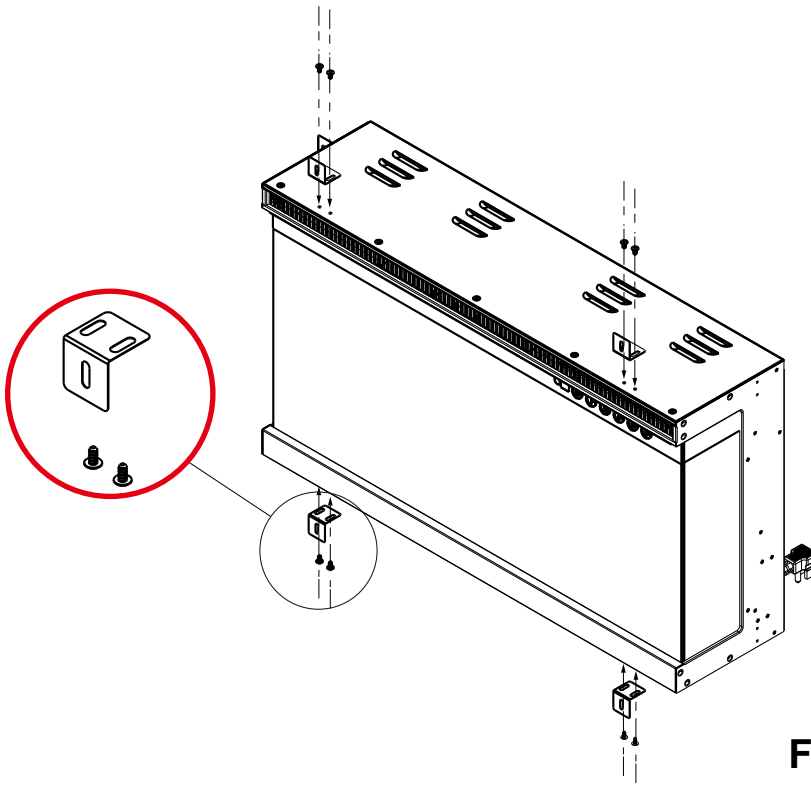
NOTE:



1. Appliance is NOT load-bearing. Carefully consider weight of finishing materials when constructing rough framing.
2. Ensure installation complies with all local building codes and requirements.
3. All viewing options (single-sided, two-sided [left and right], and three-sided) use the same framing dimensions.

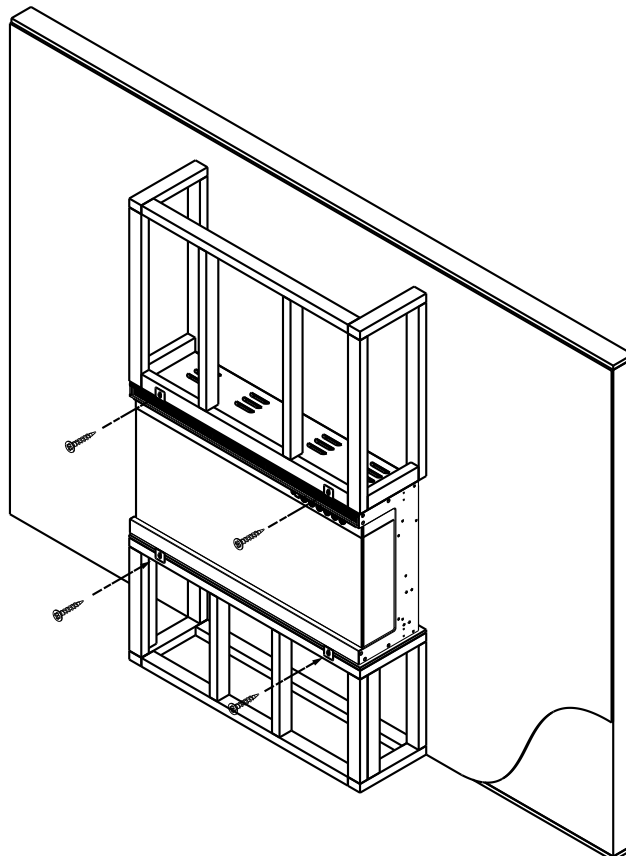
PRODUCT ASSEMBLY

Attach the fasten bracket "D" to the heater with two 8*10mm screws, see Fig A.



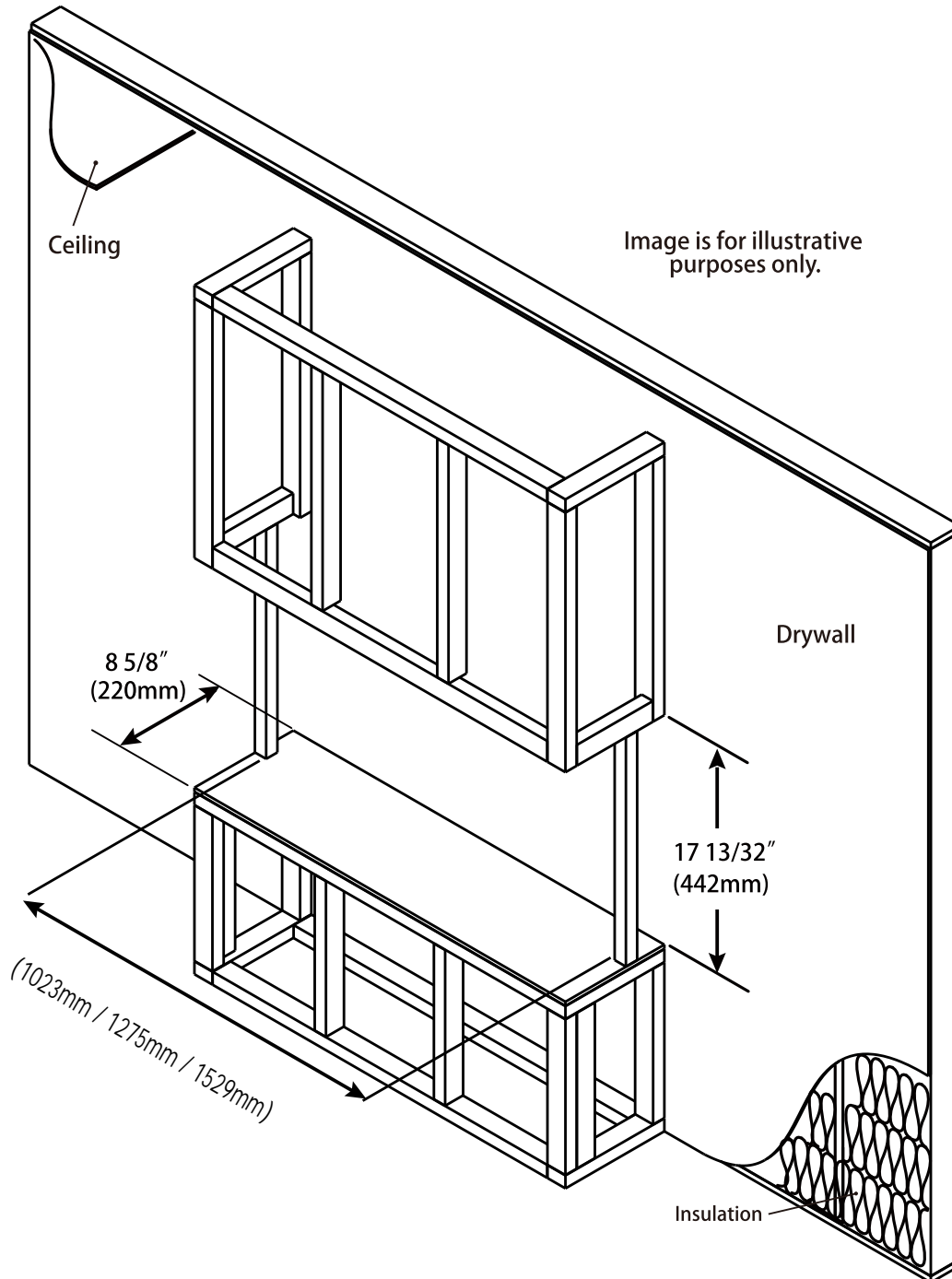
FigA

Put the fireplace to mantel hole. Use 4pcs of 4x25mm screws "C" to fasten the bracket at front .



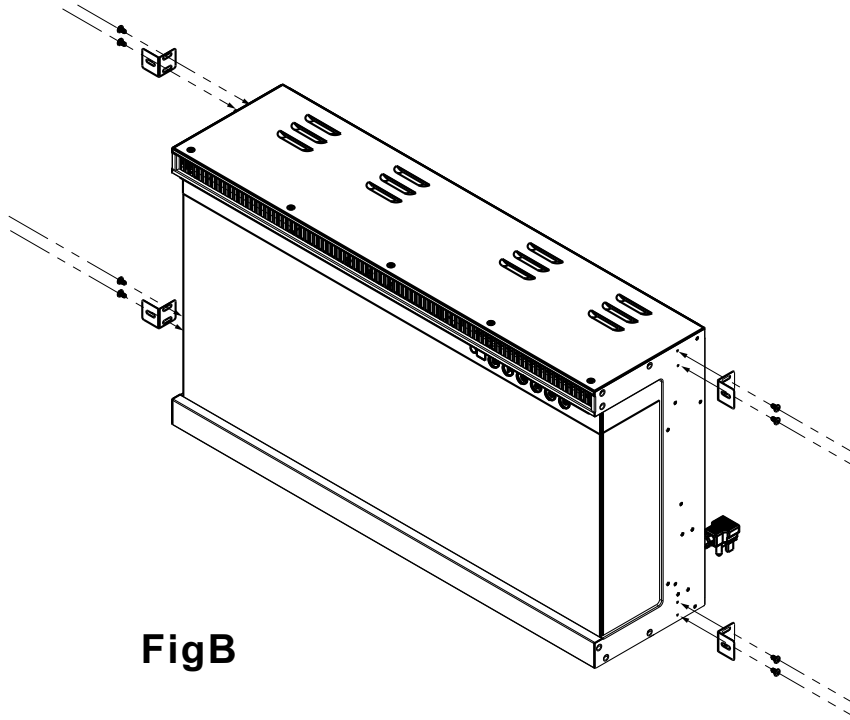
PRODUCT ASSEMBLY

RECESSED TO WALL INSTALLATION (fixed at both sides)



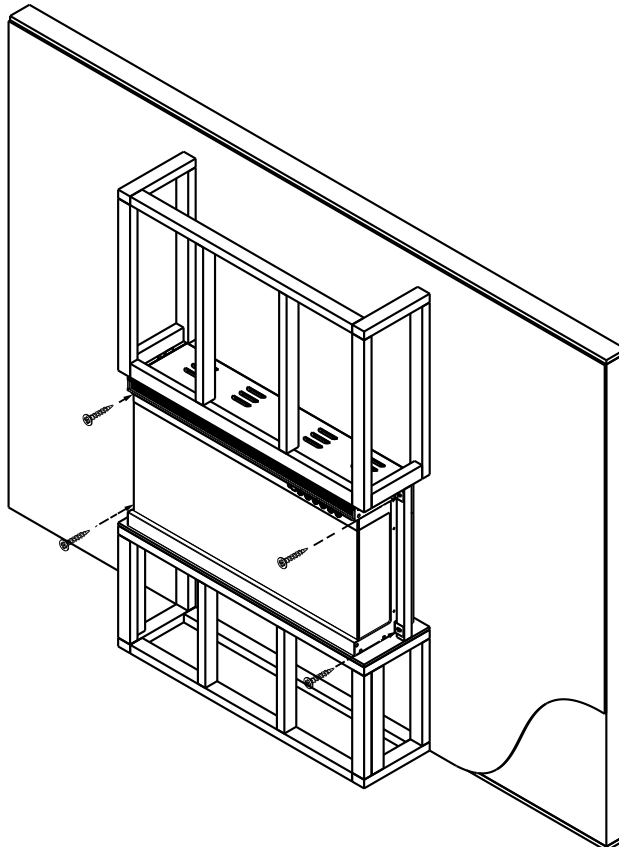
PRODUCT ASSEMBLY

Attach the fasten bracket "D" to the heater (at both sides) with two 8*10mm screws, see Fig B.



FigB

Put the fireplace to mantel hole. Use 4pcs of 4x25mm screws "C" to fasten the bracket at front .



WARNING

TURN OFF THE APPLIANCE COMPLETELY AND LET COOL BEFORE SERVICING. ONLY A QUALIFIED SERVICE PERSON SHOULD SERVICE AND REPAIR THIS ELECTRIC APPLIANE.

WARNING

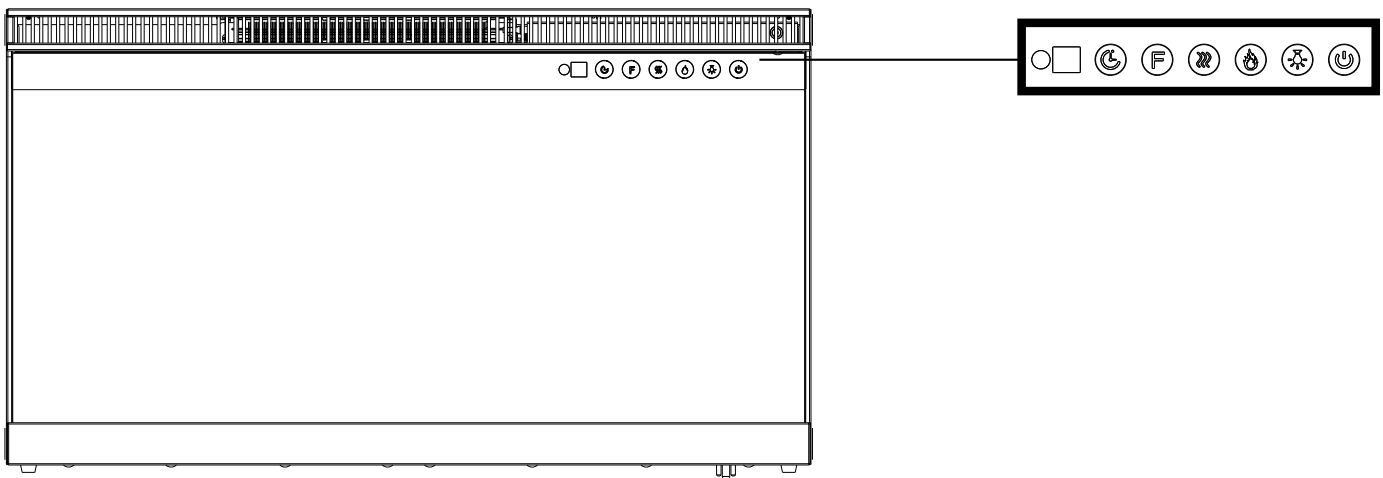
Read and understand this entire owner's manual, including all safety information, before plugging in or using this product. Failure do to so could result in electric shock, fire, serious injury, or death.

Power







Plug the power cord into a 220V Volt 7 Amp(At United Kingdom/Europe) 110-120V Volt 12 Amp(At United States) outlet (see IMPORTANT SAFETY INFORMATION on Pages 2 and 3).Make sure the outlet is in good condition and that the plug is not loose.NEVER exceed the maximum amperage for the circuit. DO NOT plug other appliances into the same circuit.

Methods of Operation

- This electric fireplace can be operated either by the switches located on the top right hand side of the fire or by supplied remote control.



Touch panel/Remote control Operation

BUTTON	FUNCTION	ACTION&INDICATION
 POWER	ON: Enables control panel functions and remote control. Turn on flame effect. OFF: Disables control panel functions and remote control. Turn off flame effect.	1. Press once. Indicator light turns on. Power turns on. All functions enabled. 2. Press again, power turn off
 FLAME	FLAME button: 1. Makes flame effect dimmer and brighter. 2. Change the flame color(On fireplace control panel)	1. Press once. Flame brightness effect gets changing. 2. Press again. Until desired setting is reached.
 HEATER	HEATER button: Turn heater on and off. NOTE: To prevent overheating, the heater fan will blow out cool air for 30 seconds after the heater turn off.	1. Press once. Indicator lights up and show "L". Low heater turns on and blows warm air. 2. Press again. Indicator lights up and show "H". High heaters turns on and blows hot air. 3. Press again. Indicator show "00". The fan blows cool air for 30 seconds to allow heater to cool down, then turns off.
 TEMP.	TEMPERATURE button: Control temperature settings to choose temperature as desired. Setting range from (62F to 82F / 17C to 27C). Long press to switch between Celsius or Fahrenheit	1. Press once. Indicator light turn on. Temperature is set to 62F/17C. 2. Press again until desired setting is reached. LED display show setting.
 TIMER	TIMER button: Control timer settings to turn off fireplace at selected time. Settings range from 1 hours to 8 hours.	3. Press once. Indicator light turn on. Temperature is set to hours. Press again until desired setting is reached. LED display show setting.
 COLOR	COLOR button: Makes the color flame effect changing.	1. Press once. Flame color effect gets changing. 2. Press again until desired setting is reached.

NOTICE

When the heater is first turned on, a slight odor may be present. This is normal and should not occur again unless the heater is not used for a long period of time.

NOTICE

To improve operation, aim the remote control at the front of the fireplace. DO NOT press the buttons too quickly. Give the unit time to respond to each command.

Temperature Limiting Control

This heater is equipped with a Temperature Limiting Control. Should the heater reach an unsafe temperature, the heater will automatically turn OFF. To reset:

1. Unplug the power cord from the outlet.
2. Turn the ON/OFF switch on the CONTROL PANEL to OFF. Wait 5 minutes.
3. Inspect the fireplace to make sure no vents are blocked, or clogged with dust or lint. If they are, use a vacuum to clean the vent areas.
4. With the POWER switch in the OFF position, plug the power cord back into the outlet.
5. If the problem continues, have your outlet and wiring inspected by a professional.

Remote Control Battery Information

Remote control requires two AAA batteries



NEVER dispose of batteries in fire. Failure to observe this precaution may result in an explosion. Dispose of batteries at your local hazardous material processing center.

CARE AND MAINTENANCE

Cleaning



ALWAYS turn the heater **OFF** and **unplug the power cord from the outlet** before cleaning, performing maintenance, or moving this fireplace. Failure to do so could result in **electric shock, fire, or personal injury**.



NEVER immerse in water or spray with water. Doing so could result in **electric shock, fire, or personal injury**.

Metal:

- Buff using a soft cloth, slightly dampened with a citrus oil-based product.
- **DO NOT** use brass polish or household cleaners as these products will damage the metal trim.

Glass:

- Use a good quality glass cleaner and dry thoroughly with a paper towel or lint-free cloth.
- **NEVER** use abrasive cleansers, liquid sprays, or any cleaner that could scratch the surface.

Vents:

- Use a vacuum or duster to remove dust and dirt from the heater and vent areas.
- Clean the exterior of the fireplace with a slightly damp cloth or duster.

Maintenance



Risk of electric shock! DO NOT OPEN! No user-serviceable parts inside!



ALWAYS turn the heater **OFF** and **unplug the power cord from the outlet** before cleaning, performing maintenance, or moving this fireplace. Failure to do so could result in **electric shock, fire, or personal injury**.

Electrical and Moving Parts:

- The fan motors are lubricated at the factory and will not require lubrication.
- Electrical components are integrated in the fireplace and are not serviceable by the consumer.

Storage:

- Store heater in a clean dry place when not in use.



WARNING! No other servicing should be performed by the consumer. Do not attempt to service the unit yourself.

Troubleshooting

WARNING

DISCONNECTED THE APPLIANCE COMPLETELY AND LET COOL PRIOR TO ANY SERVICE.
ONLY A QUALIFIED SERVICE PERSON SHOULD SERVICE AND REPAIR THIS ELECTRIC APPLIANCE.

Problem	Possible Cause	Solution
1. Fireplace turns off and will not turn on.	1. Fireplace has overheated and safety device has caused thermal switch to disconnect or home circuit breaker has opened.	1. Reset switch by turning main power off and waiting turning it back on or breaker circuit breaker.
2. Flame is not moving.	1. Loose wiring. 2. Flame motor defective. 3. Flame rod out of place	1. Inspect wiring for loose connections. 2. Call a qualified service technician to replace flame motor. 3. "Flame Rod" out of place due to rough transit/handling of the product. This issue can be corrected as simple as removing the glass, flipping the fireplace upside and down, removing a set of screws that are holding the bottom frame plate and placing the flame rod back into place.
3 Flame is not visible.	1. Wiring is loose	1. Disconnect from power source and inspect wiring for loose connections and repair or replace if necessary. 2. Push the flame button to high
4 Log set and /or crystal is not glowing.	1. Wiring is loose 2. Ember is off mode	1. Disconnect from power source and inspect wiring for loose connections and repair or replace if necessary.
5 Remote control does not work.	1. Low batteries. 2. Not aiming control correctly. 3. Defective remote control and /or sensor	1. Replace batteries in remote control. 2. Aim control at sensor located directly behind glass screen in center of unit just above logs. 3. Replace remote control and/or sensor. 4. You can contact our customer service team for a replacement remote. You can find us at mjy941218@hotmail.com

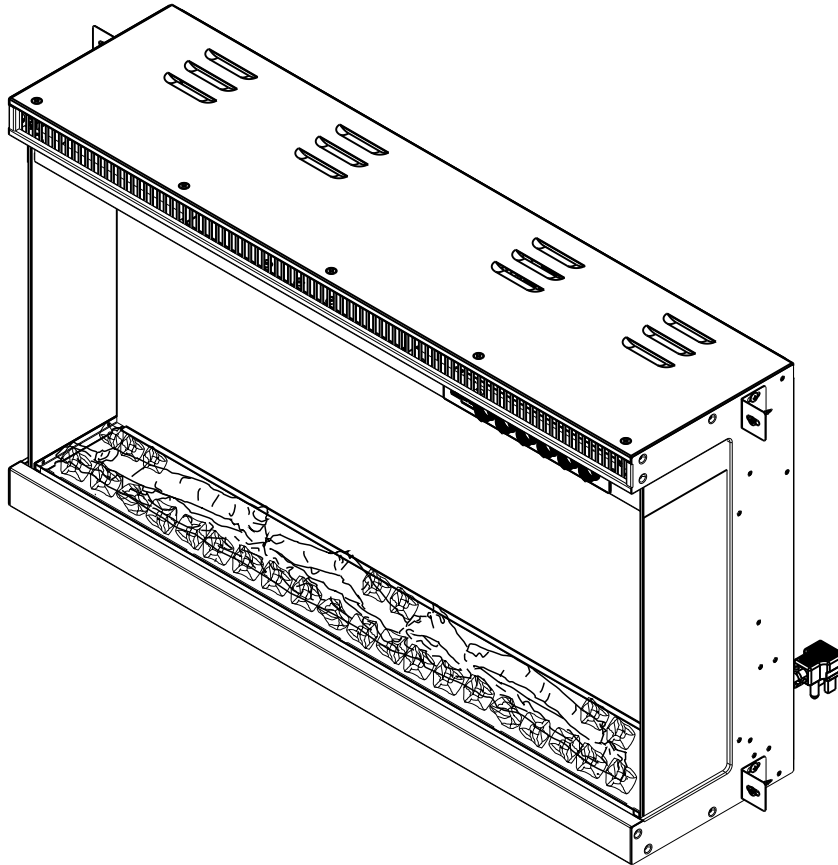
Thank you for buying our fireplace!

If you have any questions before or after purchase, please feel free to contact us

We will reply to you within 24 hours. And our professional technical & customer service team will help to resolve your problems and assure the best buying experience!
Thanks!

INSTRUCTION MANUAL








Electric Fireplace



NICHT WIEDERHOLEN!

Wenden Sie sich bitte zunächst an unseren Kundendienst, um Hilfe zu erhalten.

Inhaltsübersicht

	WICHTIGE SICHERHEITSINFORMATIONEN.....	3
	VORBEREITUNG	5
	Spezifikation und Abmessungen	6
	Installation und Montage.....	7
	Arbeitsmethoden.....	16
	Fehlersuche	19
	Technische Unterstützung	20

Lassen Sie diesen Kamin immer von einem qualifizierten Techniker oder einer Servicestelle reparieren.

! HINWEIS: Verfahren und Techniken, die als wichtig genug erachtet werden, um sie hervorzuheben.

! VORSICHT: Verfahren und Techniken, die, wenn sie nicht sorgfältig befolgt werden, zu Schäden am Gerät führen.

! WARNUNG: Verfahren und Techniken, die, wenn sie nicht sorgfältig befolgt werden, den Benutzer der Gefahr von Feuer, schweren Verletzungen oder Tod aussetzen.

WICHTIGE SICHERHEITSINFORMATIONEN!



WARNUNG



- **Lesen Sie alle Anweisungen, bevor Sie dieses Heizgerät benutzen!**
- Dieses Heizgerät ist heiß, **wenn es in Betrieb ist**. Um Verbrennungen zu vermeiden, darf die bloße Haut **nicht** mit heißen Oberflächen in Berührung kommen. Falls vorhanden, verwenden Sie Griffe, wenn Sie das Gerät bewegen. Halten Sie **brennbare Materialien** wie Möbel, Kissen, Bettwäsche, Papiere, Kleidung und Vorhänge mindestens **0,9 m (3 Fuß)** von der Vorderseite des **Ofens** entfernt und **halten Sie sie von den Seiten und der Rückseite fern**.
- **Äußerste Vorsicht** ist geboten, wenn ein Heizgerät von oder in der Nähe von Kindern oder Behinderten verwendet wird und wenn das Heizgerät **in Betrieb und unbeaufsichtigt ist**.
- Betreiben Sie das Heizgerät **NICHT** mit einem **beschädigten Kabel oder Stecker** oder wenn das **Heizgerät eine Fehlfunktion aufweist, fallen gelassen oder in irgendeiner Weise beschädigt wurde**. Entsorgen Sie das Heizgerät oder bringen Sie es zur Überprüfung und/oder Reparatur zu einer autorisierten Kundendienststelle.
- Verlegen Sie das Netzkabel **NICHT** unter Teppichböden. Decken Sie das Netzkabel **NICHT** mit Teppichen, Läufern oder ähnlichen Verkleidungen ab. Verlegen Sie das Stromkabel **NICHT** unter Möbeln oder Geräten. Verlegen Sie das Netzkabel abseits von **Verkehrsflächen, so dass niemand** darüber stolpern kann.



WARNUNG



- **Schließen Sie das Gerät NUR an ordnungsgemäß geerdete Steckdosen an.**
- Stecken Sie **KEINE** Fremdkörper in **die Belüftungs- oder Abluftöffnungen**, da dies zu einem **elektrischen Schlag** oder **Brand** führen oder **das Heizgerät beschädigen** kann.
- Um einen möglichen Brand zu verhindern, dürfen die Luftein- und -auslässe in keiner Weise blockiert werden. Andernfalls könnte ein Brand entstehen. Verwenden Sie das Gerät **NICHT** auf weichen Oberflächen, wie z. B. einem Bett, wo die Öffnungen blockiert werden könnten.
- Ein Heizgerät hat **heiße und lichtbogen- oder funkenbildende Teile im Inneren**. Verwenden Sie ihn **NICHT** in Bereichen, in denen **Benzin, Farbe oder entflammbare Flüssigkeiten** verwendet oder gelagert werden.
- **Verwenden Sie dieses Heizgerät nur wie in diesem Handbuch beschrieben. Jede andere Verwendung, die nicht vom Hersteller empfohlen wird, kann zu Bränden, elektrischen Schlägen oder Verletzungen von Personen führen.**
- **Schließen Sie die Heizgeräte IMMER direkt an eine Wandsteckdose an. Niemals mit einem Verlängerungskabel oder einer verschiebbaren Steckdose (Steckdose/Steckdosenleiste) verwenden.**

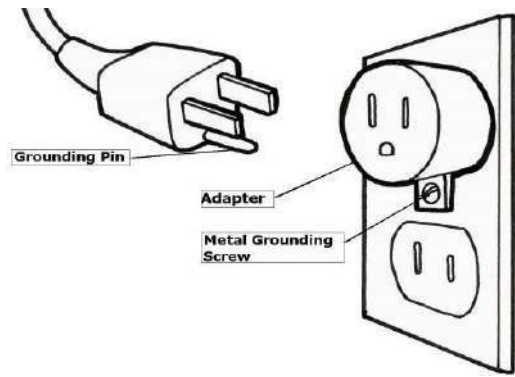
- Stellen Sie das Heizgerät **NICHT** in der Nähe eines Bettes auf, da Gegenstände wie Kissen oder Decken vom Bett fallen und vom Heizgerät entzündet werden können.
- Verwenden Sie dieses Heizgerät **NIEMALS** in **Badezimmern, Waschräumen** oder an anderen Orten, an denen es in eine **Badewanne** oder ein **Schwimmbecken** fallen, **feucht werden** oder **mit Wasser in Berührung kommen** könnte.
- **FEUER VERMEIDEN!** Überprüfen Sie regelmäßig alle Lüftungsöffnungen, um sicherzustellen, dass sie frei von Staub, Flusen oder anderen

Verstopfung. **Ziehen Sie den Netzstecker** und reinigen Sie das Gerät **NUR** mit einem **Staubsauger**. **NICHT** abspülen oder nass machen.

- **IMMER** vor dem Gebrauch an der Wandhalterung montieren (oder in die Wand eingelassen / oder freistehende Beine installieren). **NICHT** auf den Boden oder eine andere Oberfläche stellen, um zu verwenden.
- Verwenden Sie **NIEMALS** eine Wandhalterung eines anderen Herstellers.
- Dieses Produkt ist **nicht** als **primäre Wärmequelle** gedacht. Es ist **nur** für **zusätzliche Wärme** gedacht.
- **Nur im Innenbereich verwenden!** Verwenden Sie dieses Heizgerät **NIEMALS im Freien!** Dies kann zu einem **elektrischen Schlag** führen!
- **Gefahr eines elektrischen Schlages! NICHT ÖFFNEN!** Keine vom Benutzer zu wartenden Teile im Inneren!
- Schalten Sie das Heizgerät **IMMER** aus, bevor Sie den Stecker aus der Steckdose ziehen.
- **Trennen Sie** das Gerät **IMMER von der** Stromversorgung, **bevor** Sie Montage- oder Reinigungsarbeiten durchführen oder den Elektrokamin an einem anderen Ort aufstellen.
- Lassen Sie dieses Heizgerät **NIEMALS** unbeaufsichtigt. Ziehen Sie **IMMER** den Stecker aus der Steckdose, wenn das Gerät nicht benutzt wird.
- Lagern Sie diesen Kamin **IMMER** an einem trockenen Ort. Verwenden Sie den Kamin **NIEMALS**, wenn er nass geworden ist.
- Schließen Sie dieses Heizgerät **NIEMALS** an eine Steckdose an, die **alt** oder **rissig ist** oder **lose Drähte** oder **Verbindungen** aufweist. Wenn Sie dieses Heizgerät an eine defekte Steckdose anschließen, kann es zu einem **elektrischen Lichtbogen** in der Steckdose kommen, der die **Steckdose überhitzen** oder **in Brand setzen** kann.
- Überprüfen Sie **IMMER** das Heizkabel und die Steckverbindungen bei **jedem Gebrauch!**
 - i) **Achten Sie darauf, dass** der Stecker fest in der Steckdose sitzt! Fehlerhafte Steckdosenanschlüsse oder lose Stecker können zu einer Überhitzung der Steckdose führen.
 - ii) **Heizgeräte ziehen mehr Strom** als Kleingeräte. Es kann zu einer **Überhitzung** kommen, auch wenn dies bei anderen Geräten nicht der Fall war.
 - iii) **Prüfen Sie** während des Gebrauchs **regelmäßig, ob** die **Steckdose** oder die **Frontplatte HEISS** ist!

Wenn die Steckdose oder die Frontplatte **HEISS** ist, **stellen Sie den Betrieb sofort ein** und lassen Sie die defekten Steckdosen von einem qualifizierten Elektriker überprüfen und/oder ersetzen.

- Das mit dem Heizgerät gelieferte Netzkabel hat einen Stecker mit zwei flachen Klingen (Strom und Nullleiter) und einem runden Stift (Erde). Wenn keine 3-polige Steckdose vorhanden ist, **MUSS** ein Adapter verwendet werden. Der Adapter **MUSS ordnungsgemäß** an der Steckdose **geerdet** sein (siehe Abbildung rechts). (Hinweis: Adapter NICHT EINGESCHLOSSEN.)
- SPEICHERN SIE DIESE ANWEISUNGEN!**

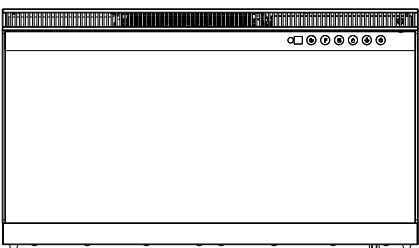


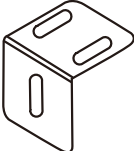
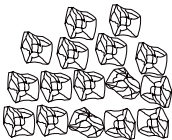





VORBEREITUNG

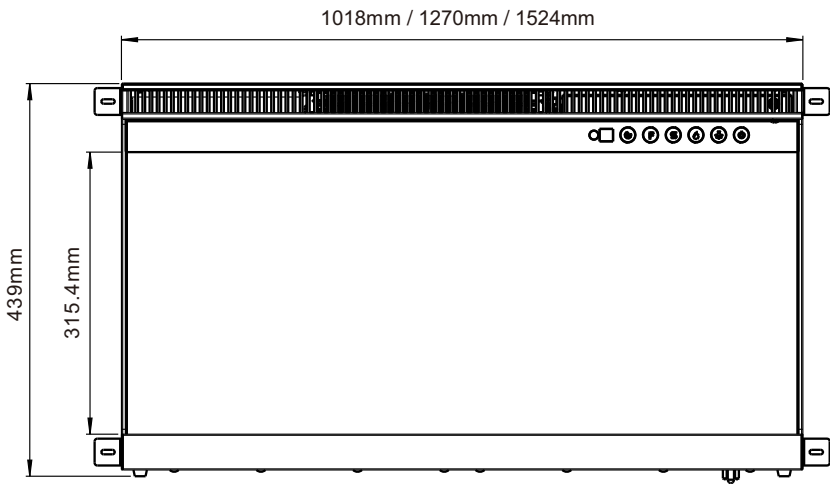


Dieses Produkt enthält eine **Glastafel!** Seien Sie immer **äußerst vorsichtig**, wenn Sie mit **Glas** hantieren. Andernfalls kann es zu **Personen- oder Sachschäden** kommen.

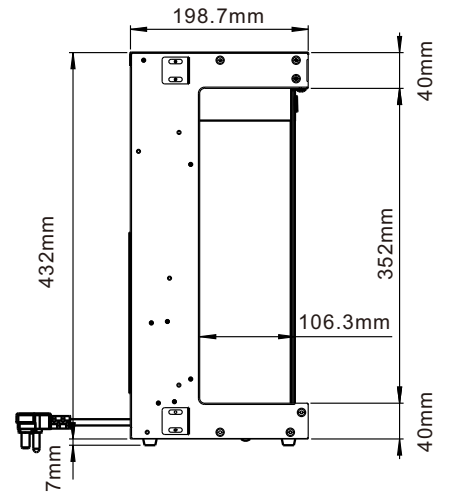
Nehmen Sie alle Teile und Beschläge aus dem Karton und legen Sie sie auf eine saubere, weiche und trockene Oberfläche. Die Teile und Montageschritte sind für die Wandaufhängung oder den Einbau geerdet. Überprüfen Sie die Teileliste, um sicherzustellen, dass nichts fehlt. Entsorgen Sie das Verpackungsmaterial ordnungsgemäß. Bitte recyceln Sie sie nach Möglichkeit. Sie benötigen die folgenden Werkzeuge (nicht im Lieferumfang enthalten): Kreuzschlitzschraubendreher; Bolzenfinder; Wasserwaage; Maßband; elektrische Bohrmaschine; 1/4" Holzbohrer, Hammer.

<p>A</p>  <p>Fireplace</p> <p>1PC</p>	<p>B</p> <p>4X10MM Screw</p>  <p>12PCS</p>	
<p>C</p> <p>4X25MM Screw</p>  <p>4PCS</p>	<p>D</p> <p>fasten bracket</p>  <p>4PCS</p>	<p>E</p> <p>Crystal stone</p>  <p>1BAG</p>
<p>F</p> <p>Carbon log</p>  <p>1BOX</p>	<p>G</p> <p>Rubber Mat</p>  <p>4PCS</p>	<p>E</p> <p>Remote Control</p>  <p>1PC</p>

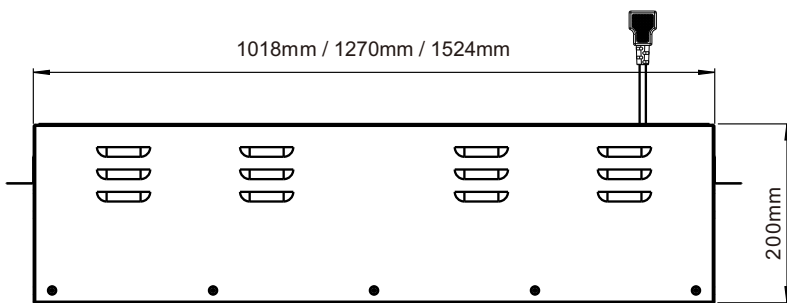
Spezifikation und Abmessungen



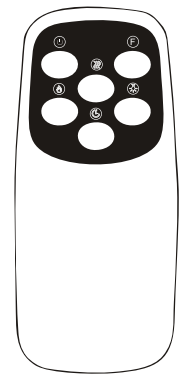
Front View



Side View



Top View



Remote Control

PRODUCT ASSEMBLY

FREISTEHENDE INSTALLATION

1

Entfernen Sie die vier schwarzen Schrauben aus dem Gerät, siehe Abb.1

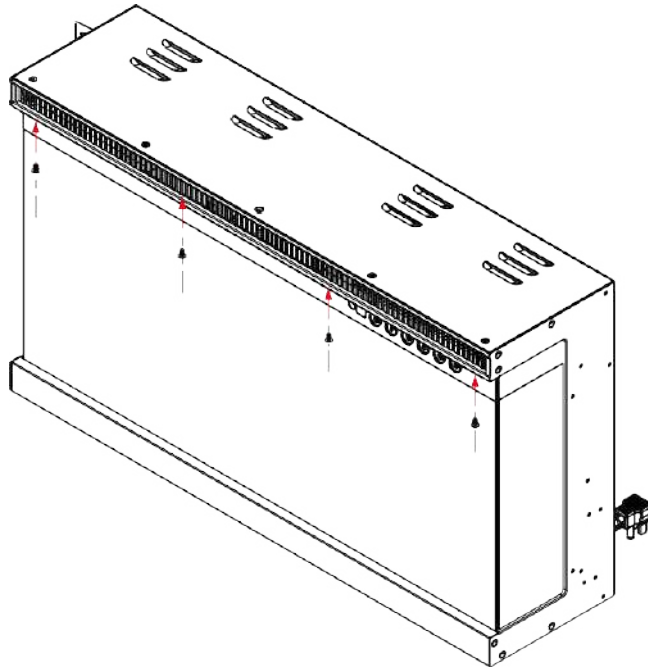


Abb.1

2

Nehmen Sie das vordere gehärtete Glas aus dem Gerät und ziehen Sie es

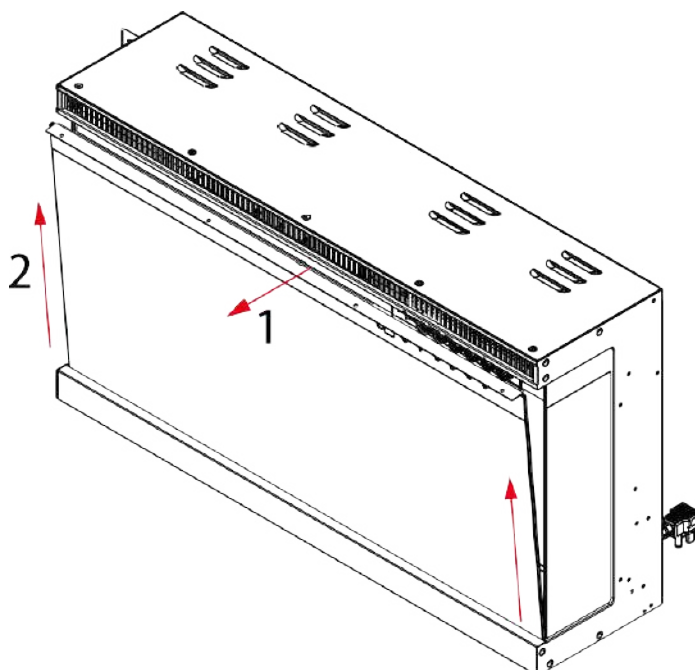


Abb.2

PRODUCT ASSEMBLY

FREISTEHENDE INSTALLATION

3

Nehmen Sie die Kohlebehälter der Holzscheite aus dem Gerät, siehe Abb.3.

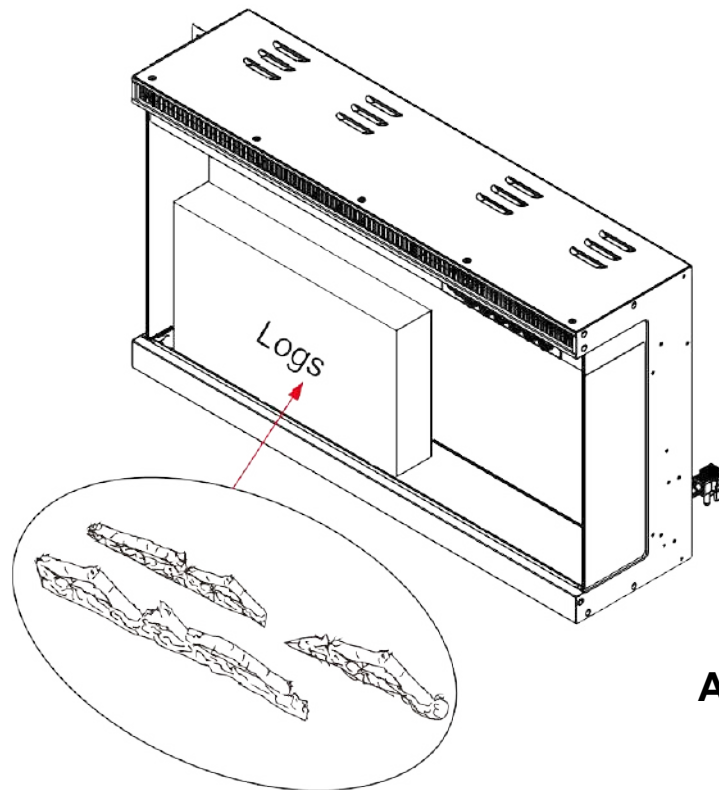


Abb.3

4

Legen Sie das Gerät auf den Boden oder eine weiche Unterlage und befestigen Sie die Gummimatten "G" mit 4 Stück Schrauben "B" (4x10mm) wie

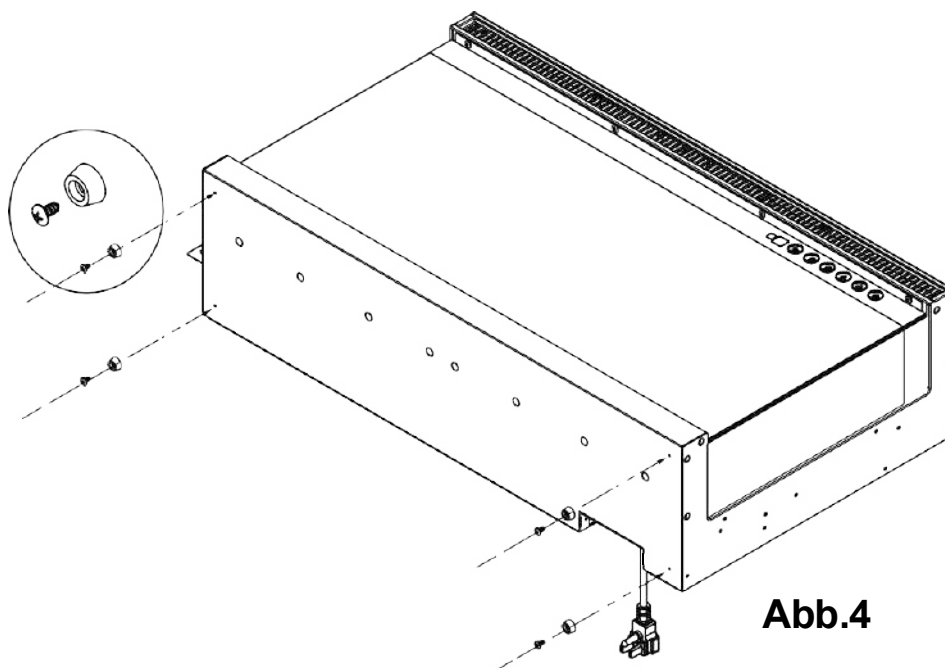


Abb.4

PRODUCT ASSEMBLY

FREISTEHENDE INSTALLATION

5

Legen Sie den Kristallstein "E" und den Kohleblock "F" ins Bett, siehe Abb.5.

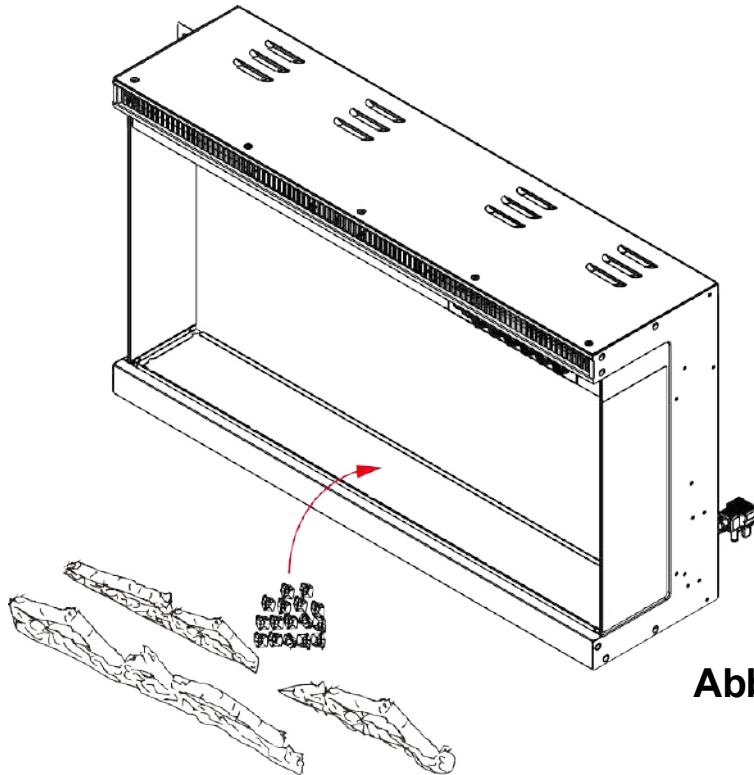


Abb.5

6

Setzen Sie das gehärtete Glas ein und bringen Sie es wieder an seinem

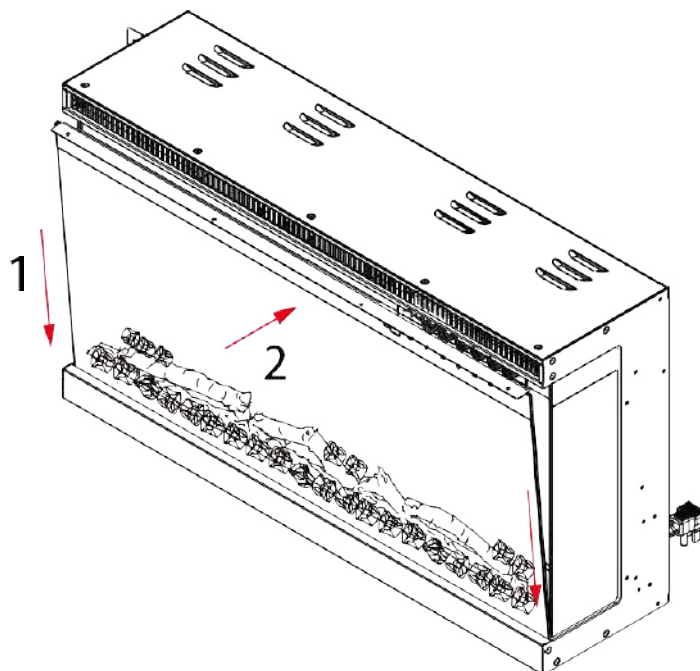


Abb.6

PRODUCT ASSEMBLY

FREISTEHENDE INSTALLATION

7

Befestigen Sie das gehärtete Glas mit den Originalschrauben 4x8mm.

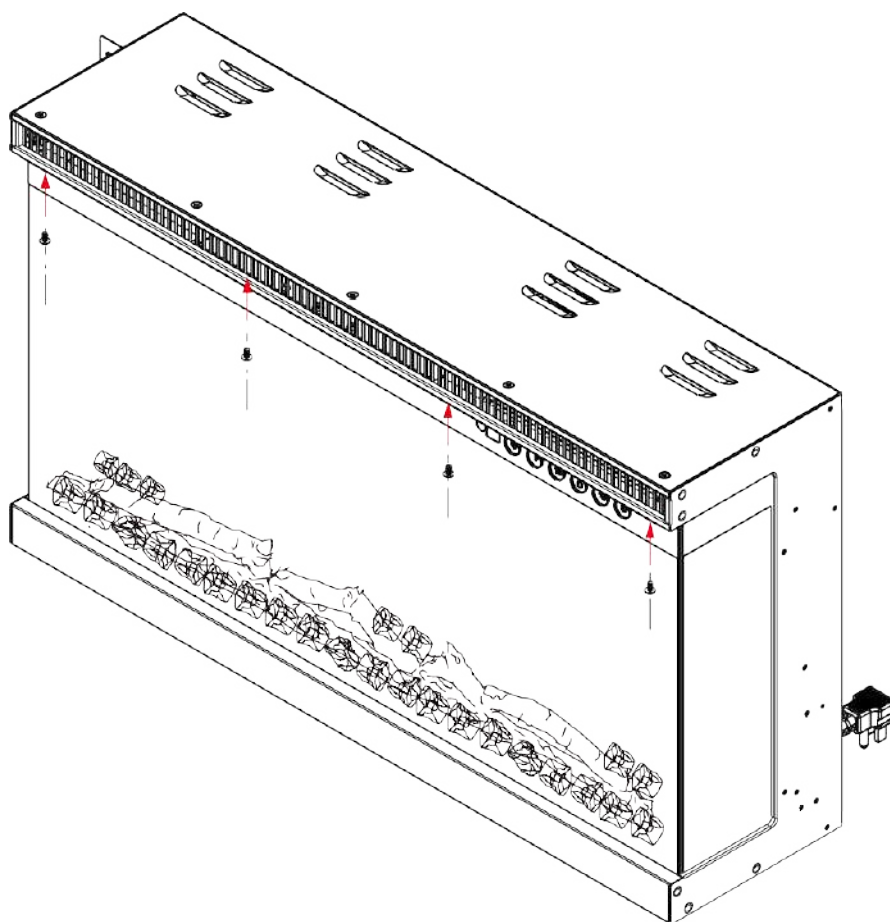
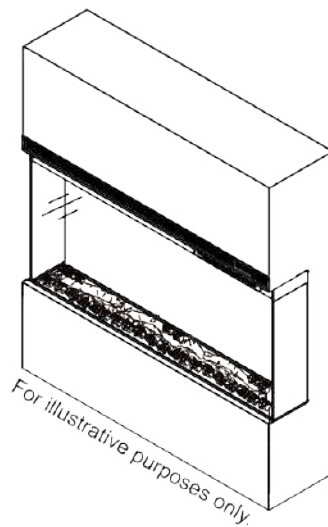


Abb.7

Ihr Gerät kann in drei verschiedenen Konfigurationen installiert werden:
dreiseitig, zweiseitig und einseitig.

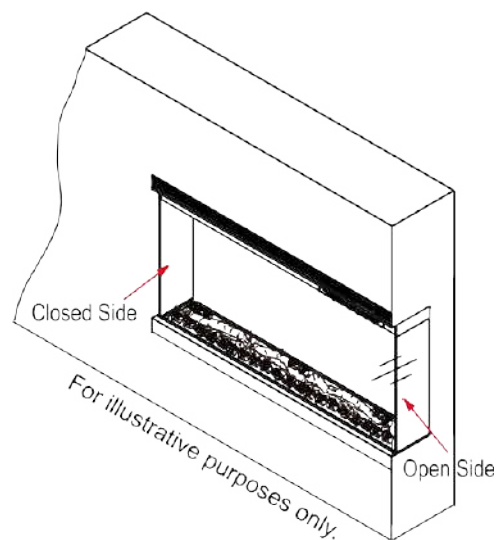
Installation mit dreiseitiger Betrachtung

Das Gerät ist vollständig in die Wand eingelassen und beide Seiten sind offen:
Vordere, linke und rechte Seitenansicht.



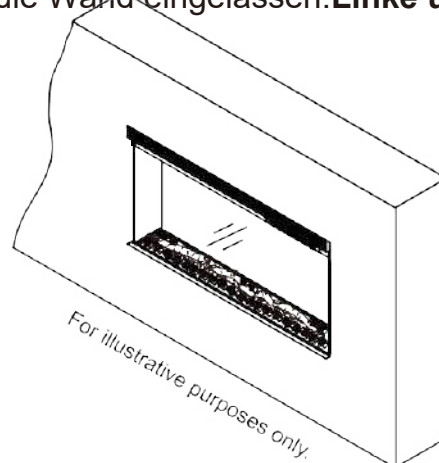
Installation mit zweiseitiger Betrachtung

Das Gerät ist vollständig in die Wand eingelassen, wobei eine Seite offen ist:
Vorderansicht und linke/rechte Seitenansicht, je nach gewünschter offener/geschlossener Seite.



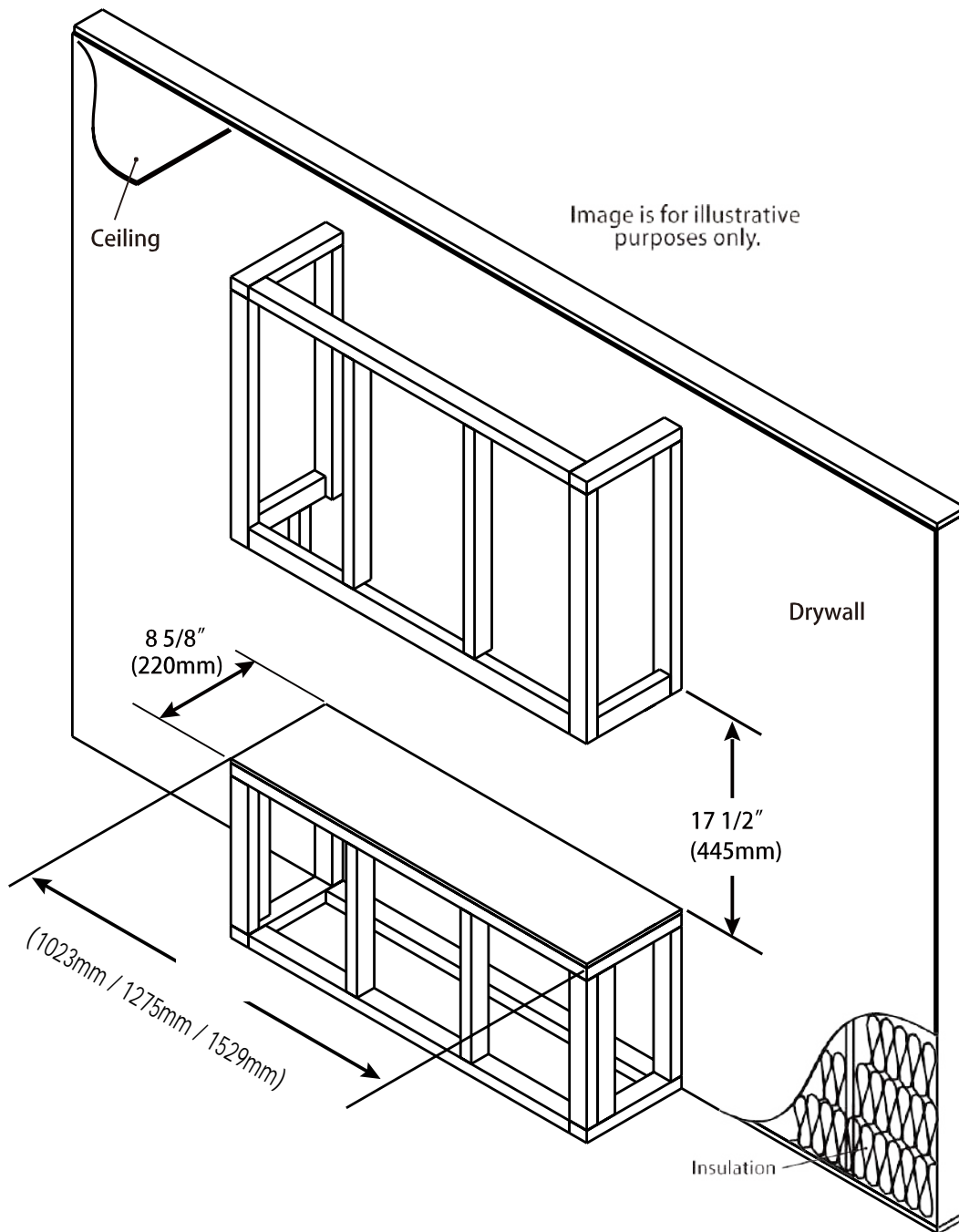
Installation mit einseitiger Ansicht

Das Gerät ist vollständig in die Wand eingelassen: **Linke und rechte Seitenansicht sind verdeckt.**



PRODUCT ASSEMBLY

WANDVERSENKTE INSTALLATION (Befestigung von vorne)



PRODUCT ASSEMBLY

Befestigen Sie die Halterung "D" mit zwei 8*10mm Schrauben an der Heizung, siehe Abb. A.

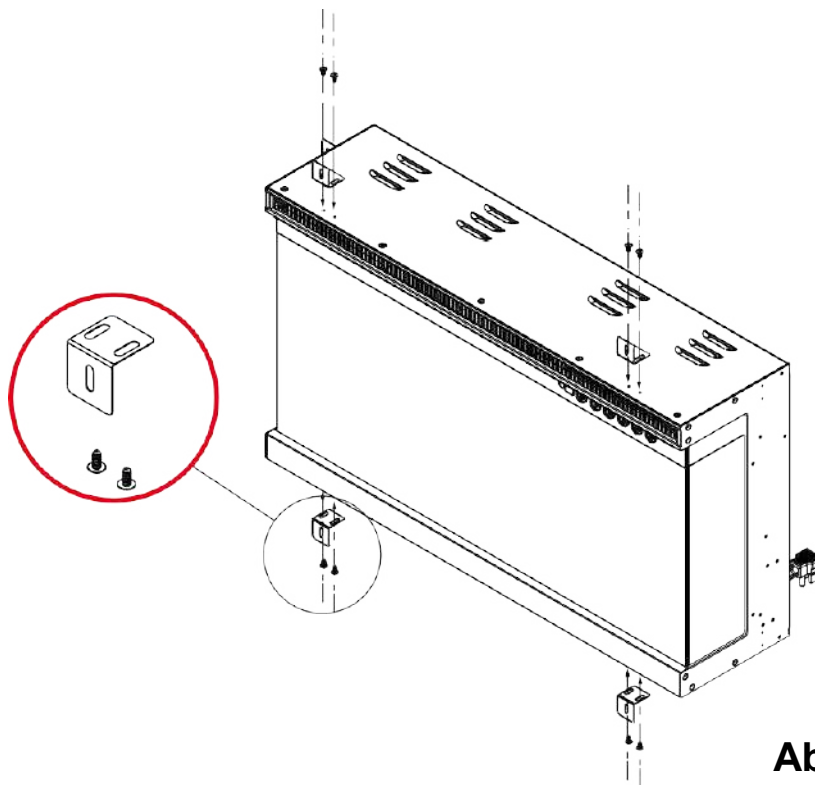
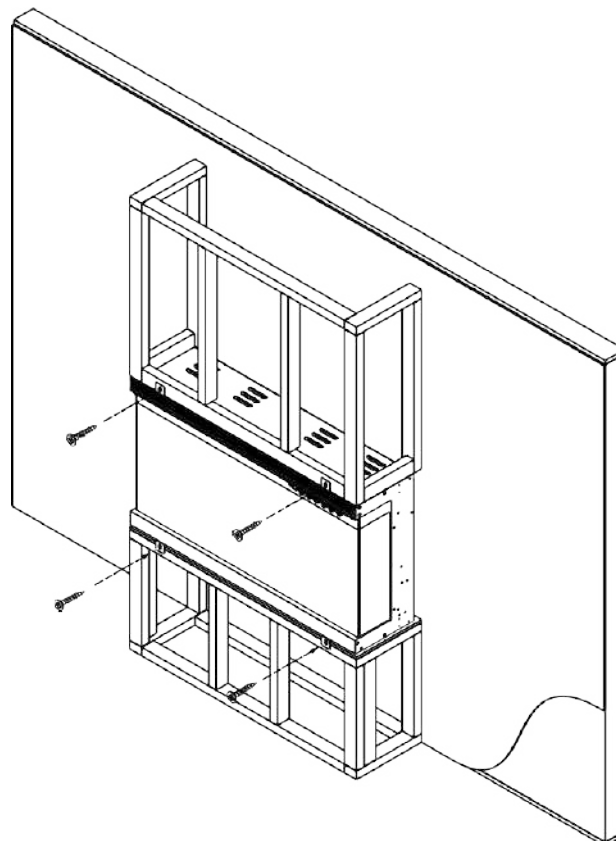


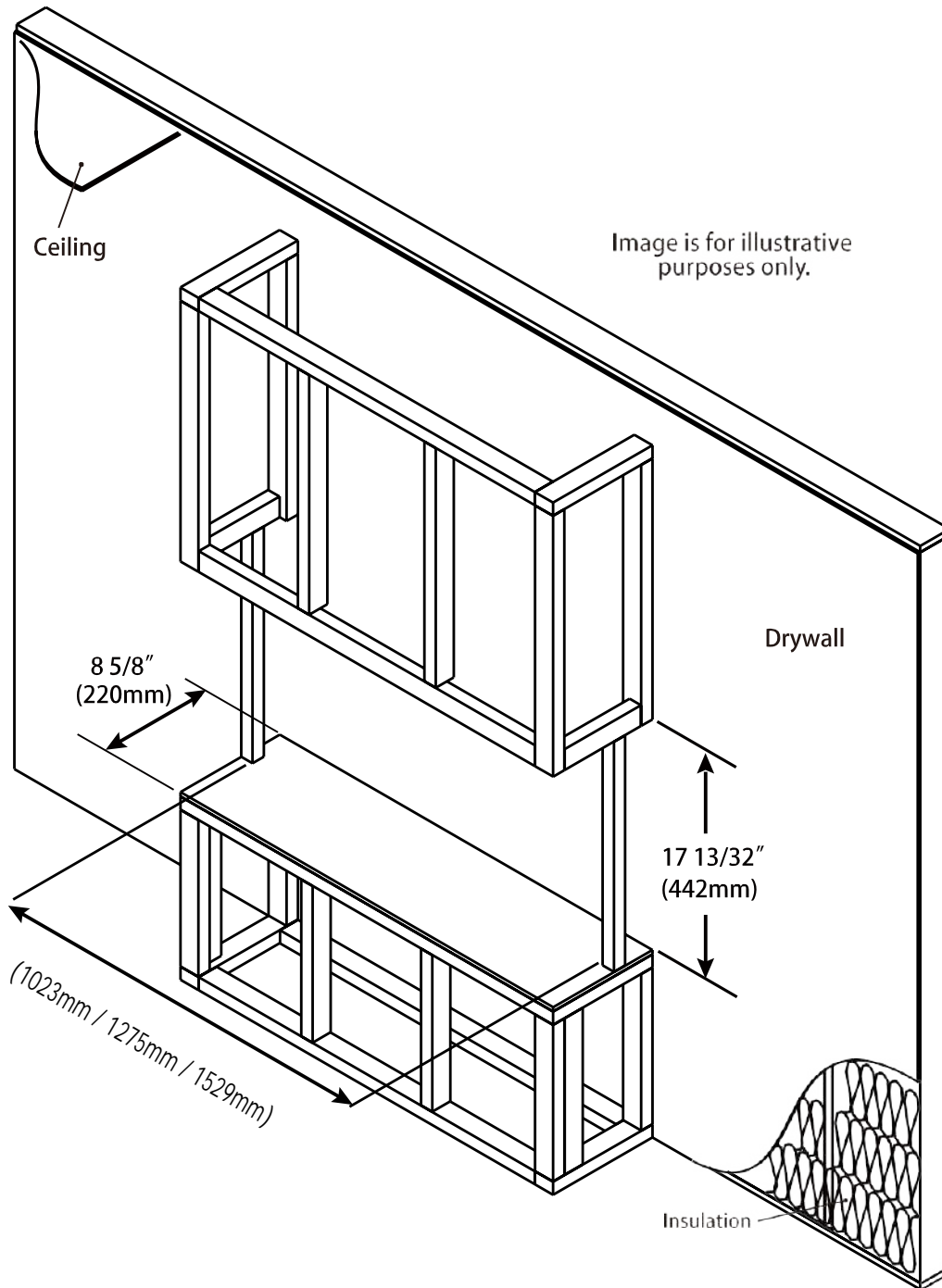
Abb.A

Setzen Sie den Kamin in das Loch im Kaminsims. Verwenden Sie 4 Stück 4x25mm Schrauben "C", um die Halterung an der Vorderseite zu befestigen.



PRODUCT ASSEMBLY

EINBAU IN DIE WAND (beidseitig befestigt)



PRODUCT ASSEMBLY

Befestigen Sie den Befestigungsbügel "D" mit zwei 8*10mm Schrauben am Kamin (auf beiden Seiten), siehe Abb. B

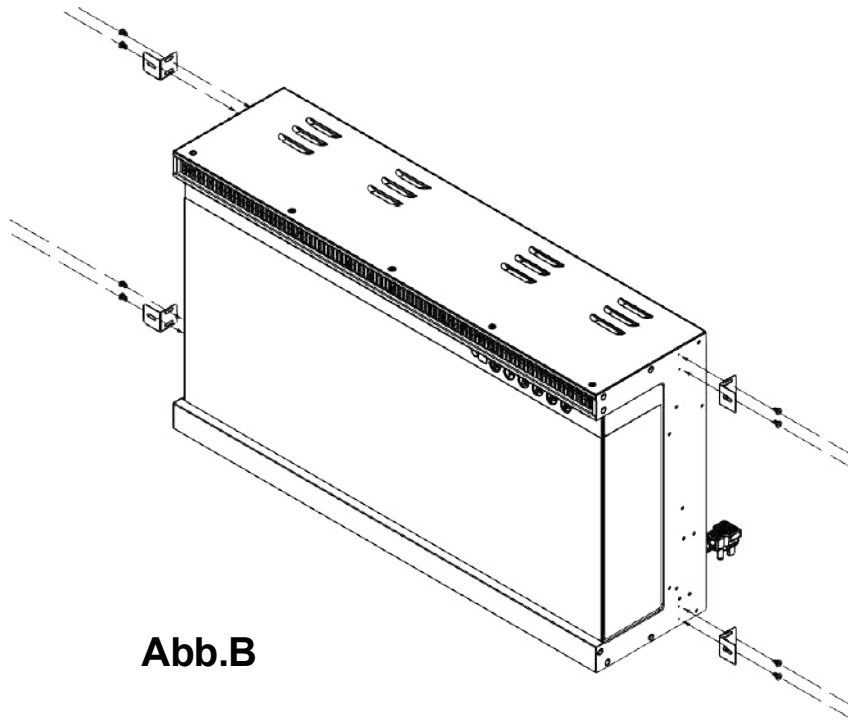
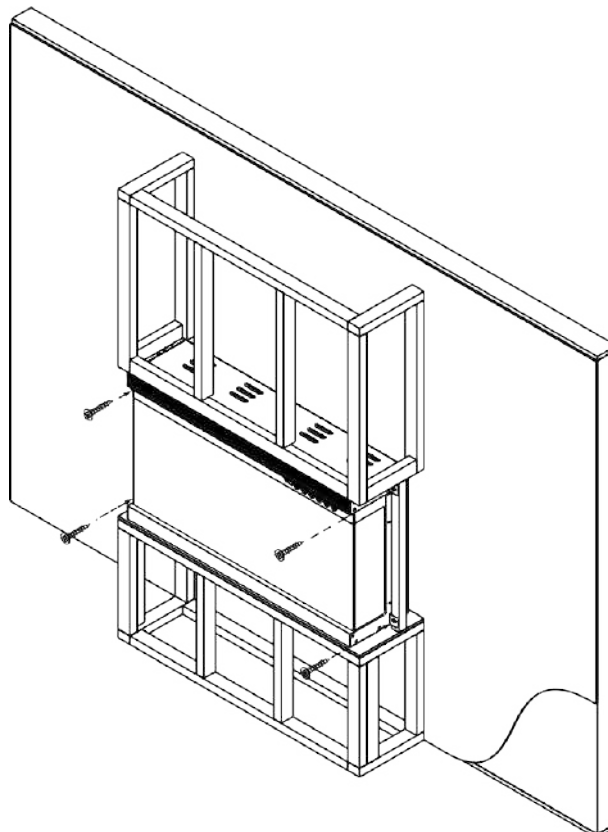


Abb.B

Setzen Sie den Kamin in das Loch im Kaminsims. Verwenden Sie 4 Stück 4x25mm Schrauben "C", um die Halterung an der Vorderseite zu befestigen.



WARNUNG

SCHALTEN SIE DAS GERÄT VOLLSTÄNDIG AUS UND LASSEN SIE ES ABKÜHLEN, BEVOR SIE ES WARTEN. DIESES ELEKTROGERÄT DARF NUR VON EINEM QUALIFIZIERTEN SERVICEPERSONAL GEWARTET UND REPARIERT WERDEN.

WARNUNG



Lesen Sie die gesamte Bedienungsanleitung, einschließlich aller Sicherheitshinweise, bevor Sie das Gerät anschließen oder verwenden. Andernfalls besteht die Gefahr eines elektrischen Schlags, eines Brands, schwerer Verletzungen oder des Todes.

Strom

Schließen Sie das Netzkabel an eine 220V Volt 7 Ampere (in Großbritannien/Europa) 110-120V Volt 12 Ampere (in Europa) an.

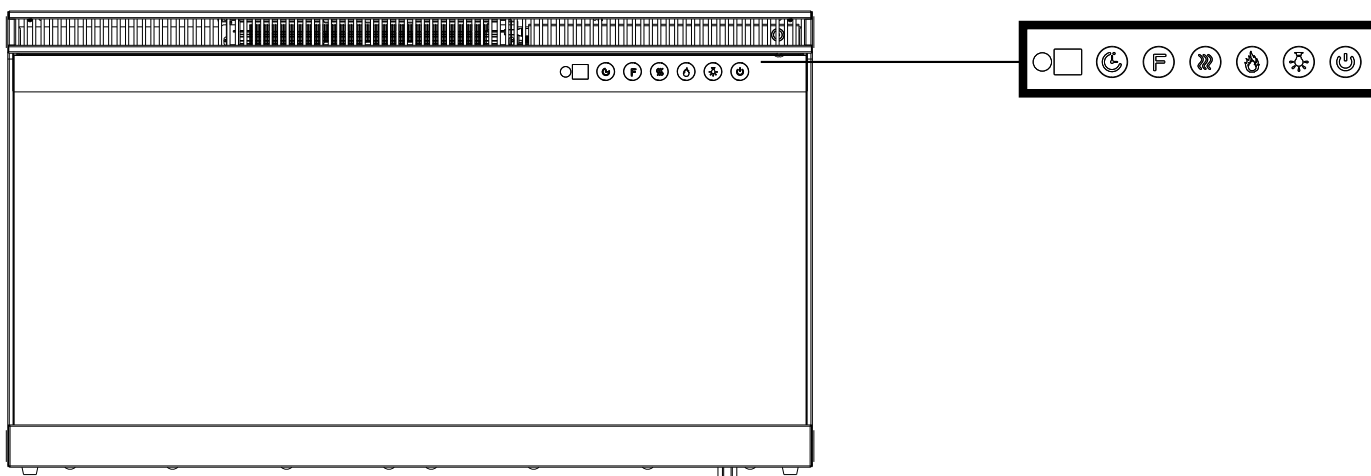
Vereinigten Staaten) (siehe WICHTIGE SICHERHEITSHINWEISE auf den Seiten 2 und 3).

die Steckdose in gutem Zustand ist und der Stecker nicht lose ist. NIEMALS die maximale Stromstärke überschreiten







für den Stromkreis. Schließen Sie KEINE anderen Geräte an denselben Stromkreis an.

Arbeitsmethoden

- Dieser Elektrokamin kann entweder über die Schalter an der rechten oberen Seite des Kamins oder über die mitgelieferte Fernbedienung bedient werden.



Touchpanel/Fernbedienung Bedienung

BUTTON	FUNKTION	AKTION&ANZEIGE
 POWER	ON: Aktiviert die Funktionen des Bedienfelds und der Fernbedienung und schaltet den Flammeneffekt ein. OFF: Deaktiviert die Funktionen des Bedienfelds und der Fernbedienung und schaltet den Flammeneffekt aus.	1. Einmal drücken. Die Kontrollleuchte leuchtet auf. Strom wird eingeschaltet. Alle Funktionen sind aktiviert. 2. Erneut drücken, Strom abschalten
 FLAME	FLAME-Taste: 1. Dimmt den Flammeneffekt und macht ihn heller. 2. Ändern Sie die Flammenfarbe (auf dem Bedienfeld des Kamins)	1. Einmal drücken. Der Helligkeitseffekt der Flamme ändert sich. 2. Erneut drücken. Bis die gewünschte Einstellung erreicht ist.
 HEIZUNG G	HEATER-Taste: Schaltet die Heizung ein und aus. HINWEIS: Um eine Überhitzung zu vermeiden, bläst das Heizgebläse nach dem Ausschalten des Heizgeräts 30 Sekunden lang kühle Luft aus.	1. Einmal drücken. Die Anzeige leuchtet auf und zeigt "L". Die Standheizung schaltet sich ein und bläst warme Luft aus. 2. Erneut drücken. Die Anzeige leuchtet auf und zeigt "H". Das Hochheizgerät schaltet sich ein und bläst heiße Luft aus. 3. Erneut drücken. In der Anzeige erscheint "00". Das Gebläse bläst 30 Sekunden lang kühle Luft ein, damit die Heizung abkühlen kann, und schaltet sich dann aus.
 TEMP.	Taste TEMPERATUR: Steuerung der Temperatureinstellungen zur Auswahl der gewünschten Temperatur. Einstellbereich von (62F bis 82F / 17C bis 27C). Langes Drücken zum Umschalten zwischen Celsius und Fahrenheit	1. Einmal drücken. Die Kontrollleuchte leuchtet auf. Die Temperatur ist auf 62F/17C eingestellt. 2. Erneut drücken, bis die gewünschte Einstellung erreicht ist. Die LED-Anzeige zeigt die Einstellung an.
 TIMER	TIMER-Taste: Steuert die Timer-Einstellungen, um den Kamin zur gewählten Zeit auszuschalten. Die Einstellungen reichen von 1 Stunde bis 8 Stunden.	3. Einmal drücken. Die Kontrollleuchte leuchtet auf. Die Temperatur ist auf Stunden eingestellt. Erneut drücken, bis die gewünschte Einstellung erreicht ist. Die LED-Anzeige zeigt die Einstellung an.
 FARBE	Taste COLOR: Ändert die Farbe des Flammeneffekts.	1. Einmal drücken. Der Flammeneffekt ändert sich. 2. Drücken Sie erneut, bis die gewünschte Einstellung erreicht ist.

HINWEIS

Wenn das Heizgerät zum ersten Mal eingeschaltet wird, kann ein leichter Geruch vorhanden sein. Dies ist normal und sollte nicht mehr auftreten, es sei denn, das Heizgerät wird über einen längeren Zeitraum nicht benutzt.

HINWEIS

Um die Bedienung zu verbessern, richten Sie die Fernbedienung auf die Vorderseite des Kamins. Drücken Sie die Tasten NICHT zu schnell, sondern lassen Sie dem Gerät Zeit, auf jeden Befehl zu reagieren.

Temperaturbegrenzungssteuerung

Dieses Heizgerät ist mit einer Temperaturbegrenzungssteuerung ausgestattet. Sollte das Heizgerät eine unsichere Temperatur erreichen, schaltet es sich automatisch aus. Zum Zurücksetzen:

1. Ziehen Sie das Netzkabel aus der Steckdose.
2. Stellen Sie den ON/OFF-Schalter am BEDIENFELD auf OFF. Warten Sie 5 Minuten.

3. Überprüfen Sie den Kamin, um sicherzustellen, dass keine Entlüftungsöffnungen blockiert oder mit Staub oder Flusen verstopft sind. Falls dies der Fall ist, reinigen Sie die Entlüftungsbereiche mit einem Staubsauger.
4. Stellen Sie den Schalter POWER auf OFF und stecken Sie das Netzkabel wieder in die Steckdose.
5. Wenn das Problem weiterhin besteht, lassen Sie Ihre Steckdose und die Verkabelung von einem Fachmann überprüfen.

Informationen zur Batterie der Fernbedienung

Die Fernbedienung benötigt zwei AAA-Batterien



Werfen Sie die Batterien **NIEMALS** ins Feuer. Die Nichtbeachtung dieser Vorsichtsmaßnahme kann zu einer Explosion führen.

Entsorgen Sie die Batterien bei Ihrer örtlichen Sammelstelle für gefährliche Stoffe.

PFLEGE UND WARTUNG

Reinigung



Schalten Sie den Kamin **IMMER AUS** und **ziehen Sie den Netzstecker aus der Steckdose**, bevor Sie den Kamin reinigen, warten oder bewegen. Bei Nichtbeachtung besteht die Gefahr eines **elektrischen Schlags, eines Brands oder von Verletzungen**.



NIEMALS in Wasser tauchen oder mit Wasser bespritzen. Andernfalls besteht die Gefahr eines elektrischen Schlages, eines Brandes oder von Personenschäden.

Metall:

- Polieren Sie mit einem weichen Tuch, das mit einem Produkt auf Zitrusölbasis leicht angefeuchtet ist.
- Verwenden Sie **KEINE** Messingpolitur oder Haushaltsreiniger, da diese Produkte die Metallverkleidung beschädigen.

Glas:

- Verwenden Sie einen hochwertigen Glasreiniger und trocknen Sie ihn gründlich mit einem Papiertuch oder fusselfreien Tuch ab.
- Verwenden Sie **NIEMALS** Scheuermittel, Flüssigsprays oder andere Reinigungsmittel, die die Oberfläche verkratzen könnten.

Entlüftungen:

- Verwenden Sie einen Staubsauger oder ein Staubtuch, um Staub und Schmutz von der Heizung und den Lüftungsöffnungen zu entfernen.
- Reinigen Sie die Außenseite des Kamins mit einem leicht feuchten Tuch oder Staubwedel.

Wartung



Gefahr eines elektrischen Schlages! NICHT ÖFFNEN! Keine vom Benutzer zu wartenden Teile im Inneren!



Schalten Sie den Kamin **IMMER AUS** und **ziehen Sie den Netzstecker aus der Steckdose**, bevor Sie den Kamin reinigen, warten oder bewegen. Andernfalls besteht die Gefahr eines **Stromschlags, eines Brands oder von Verletzungen**.

Elektrische und bewegliche Teile:

- Die Gebläsemotoren werden im Werk geschmiert und müssen nicht geschmiert werden.
- Die elektrischen Komponenten sind in den Kamin integriert und können vom Verbraucher nicht gewartet werden.

Lagerung:

- Lagern Sie das Heizgerät an einem sauberen, trockenen Ort, wenn Sie es nicht benutzen.



WARNUNG! Der Verbraucher sollte keine weiteren Wartungsarbeiten durchführen. Versuchen Sie nicht, das Gerät selbst zu warten.

Fehlersuche



WARNUNG

DAS GERÄT VOLLSTÄNDIG VOM STROMNETZ TRENNEN UND ABKÜHLEN LASSEN, BEVOR ES GEWARTET WIRD.

NUR EINE QUALIFIZIERTE FACHKRAFT DARF DIESEN ELEKTROAPPARAT WARTEN UND REPARIEREN.

Problem	Mögliche Ursache	Lösung
1. Kamin wird ausgeschaltet und lässt sich nicht einschalten.	1. Der Kamin ist überhitzt und Sicherheitsvorrichtung verursacht hat Wärmeschalter zum Trennen der Verbindung oder der Hausstromkreisunterbrecher geöffnet wurde.	1. Setzen Sie den Schalter zurück, indem Sie die Hauptstromversorgung ausschalten und warten, bis Sie sie wieder einschalten, oder indem Sie den Schutzschalter ausschalten.
2. Die Flamme bewegt sich nicht.	1. Lose Verdrahtung. 2. Flammenmotor defekt. 3. Flammenstab deplatziert	1. Überprüfen Sie die Verkabelung auf lose Verbindungen. 2. Wenden Sie sich an einen qualifizierten Servicetechniker, um den Flammenmotor auszutauschen. 3. Der "Flammenstab" ist aufgrund von unsanftem Transport/Handhabung des Produkts verrutscht. Dieses Problem kann ganz einfach behoben werden, indem Sie das Glas entfernen, den Kamin auf den Kopf stellen und umdrehen, eine Reihe von Schrauben entfernen, die

		die untere Rahmenplatte halten, und den Flammenstab wieder an seinen Platz setzen.
3 Die Flamme ist nicht sichtbar.	1. Verdrahtung ist lose	1. Trennen Sie das Gerät von der Stromquelle und überprüfen Sie die Verkabelung auf lose Verbindungen und reparieren oder ersetzen Sie sie, falls erforderlich. 2. Drücken Sie die Flammentaste auf hoch
4 Der Holzscheid und/oder der Kristall leuchtet nicht.	1. Verdrahtung ist lose 2. Ember ist im Aus-Modus	1. Trennen Sie das Gerät von der Stromquelle und überprüfen Sie die Verkabelung auf lose Verbindungen und reparieren oder ersetzen Sie sie, falls erforderlich.
5 Fernsteuerung funktioniert nicht.	1. Schwache Batterien. 2. Die Steuerung wird nicht richtig ausgerichtet. 3. Defekte Fernbedienung und / oder Sensor	1. Ersetzen Sie die Batterien in der Fernbedienung. 2. Richten Sie den Regler auf den Sensor, der sich direkt hinter der Glasscheibe in der Mitte des Geräts direkt über den Holzscheiten befindet. 3. Ersetzen Sie die Fernbedienung und/oder den Sensor. 4. Sie können sich an unseren Kundendienst wenden, um eine Ersatzfernbedienung zu erhalten. Sie finden uns unter mjy941218@hotmail.com

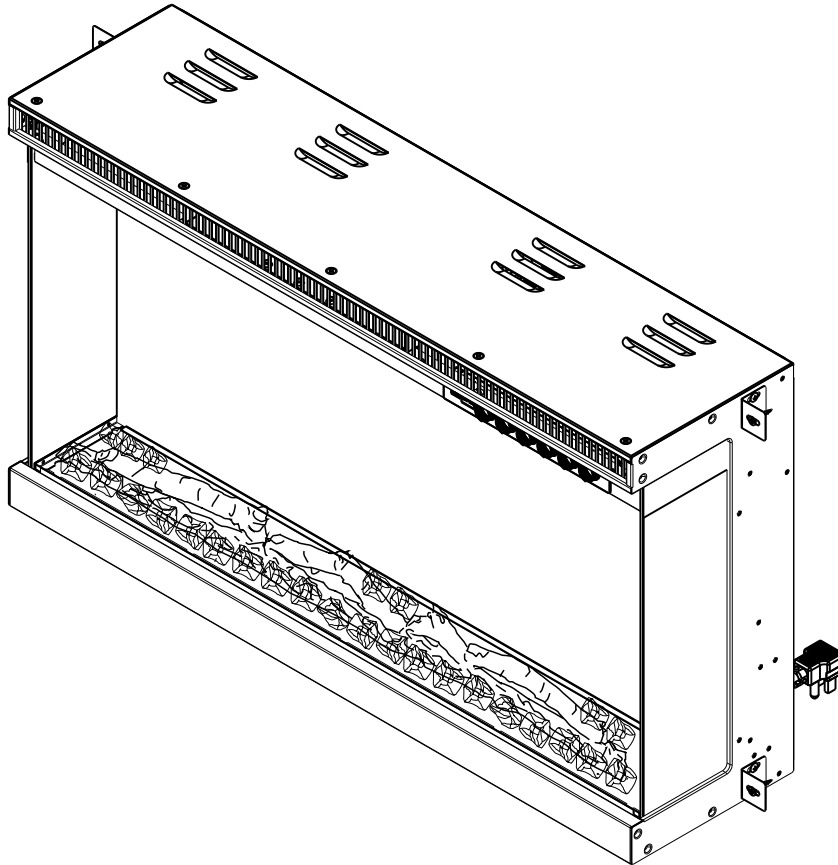
Danke, dass Sie unseren Kamin gekauft haben!

Wenn Sie vor oder nach dem Kauf Fragen haben, können Sie uns gerne kontaktieren

Wir werden Ihnen innerhalb von 24 Stunden antworten. Und unser professionelles Team von Technikern und Kundenbetreuern wird Ihnen helfen, Ihre Probleme zu lösen und die beste Käuferfahrung zu gewährleisten! Danke!

INSTRUCTION MANUAL

Electric Fireplace










NE PAS RETOURNER !

**Veillez d'abord contacter notre équipe du service clientèle
pour obtenir de l'aide.**



Table des matières

	INFORMATION SUR LA SÉCURITÉ	3
	PIÈCES & MATÉRIEL	5
	Spécification et dimension	6
	Installation et assemblage	7
	Méthodes de fonctionnement	16
	Dépannage	19
	Soutien technique	20

Faites toujours appel à un technicien qualifié ou à une agence de service pour réparer ce foyer.

! REMARQUE: les procédures et techniques considérées comme impor-assez pour souligner.

⚠ ATTENTION: Procédures et techniques qui, si elles ne sont pas suivies attentivement, entraîneront des dommages à l'équipement.

⚡ AVERTISSEMENT: Procédures et techniques qui, si elles ne sont pas suivi, exposera l'utilisateur à des risques d'incendie, de blessures graves ou de mort.

IMPORTANTES INFORMATIONS DE SÉCURITÉ !



AVERTISSEMENT



- **Lisez toutes les instructions avant d'utiliser cet appareil de chauffage !**
- Cet appareil de chauffage est chaud **lorsqu'il est utilisé**. Pour éviter les brûlures, **NE laissez PAS** la peau nue toucher les surfaces chaudes. Si l'appareil est fourni, utilisez des poignées pour le déplacer. Maintenez les **matériaux combustibles**, tels que les meubles, les oreillers, la literie, les papiers, les vêtements et les rideaux à au moins **0,9 m (3 pieds)** de l'avant de l'appareil, et **éloignez-les des côtés et de l'arrière**.
- **Une extrême prudence** est nécessaire lorsqu'un appareil est utilisé par ou à proximité d'enfants ou d'invalides et chaque fois que l'appareil est laissé **en fonctionnement sans surveillance**.
- **NE PAS** faire fonctionner un appareil avec un **cordon ou une fiche endommagé(e)** ou après un **dysfonctionnement de l'appareil**, une **chute** ou un **endommagement quelconque de l'appareil**.
- **NE PAS** faire passer le cordon d'alimentation sous la moquette. **NE PAS** recouvrir le cordon d'alimentation avec des carpettes, des tapis ou d'autres revêtements similaires. **NE PAS** faire passer le cordon d'alimentation sous les meubles ou les appareils. Placez le cordon d'alimentation à l'écart des **zones de circulation** et à un endroit où il ne risque pas de faire trébucher.



AVERTISSEMENT



- **Ne branchez que sur des prises correctement mises à la terre.**
- **N'insérez PAS** et ne laissez pas d'objets étrangers **pénétrer dans les ouvertures de ventilation ou d'évacuation**, car cela pourrait provoquer un **choc électrique** ou un **incendie**, ou **endommager le radiateur**.
- Pour éviter tout risque d'incendie, **NE bloquez PAS** les prises d'air ou l'échappement de quelque manière que ce soit. Cela pourrait provoquer un incendie. **NE PAS** utiliser sur des surfaces molles, comme un lit, où les ouvertures pourraient être bloquées.
- Un appareil de chauffage contient des **pièces chaudes et des arcs ou étincelles**. **NE** l'utilisez **PAS** dans des endroits où de l'**essence**, de la **peinture** ou des **liquides inflammables** sont utilisés ou stockés.
- **N'utilisez cet appareil de chauffage que de la manière décrite dans ce manuel**. Toute autre utilisation non recommandée par le fabricant peut provoquer un incendie, un choc électrique ou des blessures.
- **Branchez TOUJOURS** les appareils de chauffage directement dans une prise de courant murale. **Ne les utilisez jamais avec une rallonge ou une prise de courant**

amovible (prise de courant/bandelette d'alimentation).

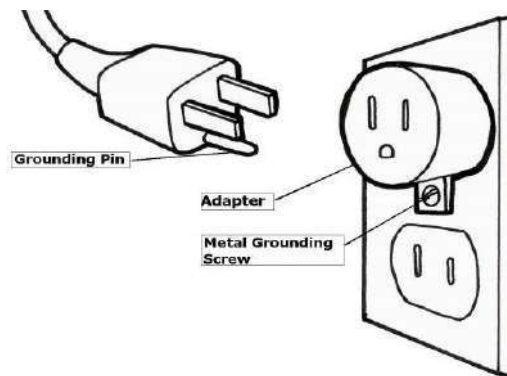
- **NE PAS** placer le radiateur près d'un lit car des objets tels que des oreillers ou des couvertures peuvent tomber du lit et être enflammés par le radiateur.
- **N'utilisez JAMAIS** cet appareil dans une **salle de bains, une buanderie** ou tout autre endroit où l'appareil pourrait tomber dans une **baignoire** ou une **piscine, devenir humide** ou entrer en **contact avec de l'eau**.
- **ÉVITEZ LES INCENDIES !** Inspectez régulièrement toutes les bouches d'aération pour vous assurer qu'elles sont exemptes de poussière, de peluches ou d'autres matières étrangères.

Blocage. **Débranchez l'appareil** et nettoyez-le avec un **aspirateur UNIQUEMENT. NE PAS** rincer ou mouiller.

- **TOUJOURS** monter sur un support mural (ou encastré dans le mur / ou installer des pieds autoportants) avant de l'utiliser. **NE PAS** poser sur le sol, ou toute autre surface, avant utilisation.
- **N'utilisez JAMAIS** un support mural d'un autre fabricant.
- Ce produit **n'est pas destiné** à être une **source de chaleur principale**. Il sert **uniquement de chauffage d'appoint**.
- **Utilisation à l'intérieur uniquement ! N'utilisez JAMAIS** cet appareil de chauffage à **l'extérieur !** Cela pourrait entraîner un **choc électrique !**
- **Risque de choc électrique ! NE PAS OUVRIR !** Aucune pièce réparable par l'utilisateur à l'intérieur !
- Éteignez **TOUJOURS** ce radiateur avant de le débrancher de la prise.
- **Débranchez TOUJOURS** cet appareil de l'alimentation **électrique avant d'effectuer** tout assemblage ou nettoyage, ou avant de déplacer le foyer électrique.
- **Ne laissez JAMAIS** ce radiateur sans surveillance. **Débranchez TOUJOURS** ce radiateur lorsqu'il n'est pas utilisé.
- Rangez **TOUJOURS** ce foyer dans un endroit sec. **N'utilisez JAMAIS** le foyer s'il a été mouillé.
- **Ne branchez JAMAIS** cet appareil dans une prise de courant qui est **vieille, fissurée** ou dont les **fils ou les connexions sont desserrés**. Le fait de brancher cet appareil dans une prise défectueuse peut entraîner la formation d'un **arc électrique** à l'intérieur de la **prise**, ce qui peut provoquer une **surchauffe ou un incendie**.
- Vérifiez **TOUJOURS** les connexions du cordon et de la fiche de votre radiateur à **chaque utilisation !**
 - i) **ASSUREZ-VOUS** que la fiche est bien insérée dans la prise ! Des connexions de prise murale défectueuses ou des fiches lâches peuvent entraîner une surchauffe de la prise.
 - ii) **Les appareils de chauffage consomment plus de courant** que les petits appareils. Une **surchauffe** peut se produire même si elle ne s'est pas produite avec l'utilisation d'autres appareils.
 - iii) Pendant l'utilisation, **vérifiez fréquemment** si la **prise de courant ou la plaque frontale** sont **chaudes !**
 - iv) Si la prise ou la plaque frontale est **CHAUDE**, **cessez immédiatement de l'utiliser** et demandez à un électricien qualifié d'inspecter et/ou de remplacer les prises

défectueuses.

- Le cordon d'alimentation fourni avec l'appareil est muni d'une fiche avec deux lames plates (phase et neutre) et une broche ronde (terre). Si une prise de courant à trois fentes n'est pas disponible, un adaptateur **DOIT** être utilisé. L'adaptateur **DOIT** être **correctement mis à la terre** dans la boîte de sortie (voir la figure à droite). (Remarque : l'adaptateur n'est pas fourni).



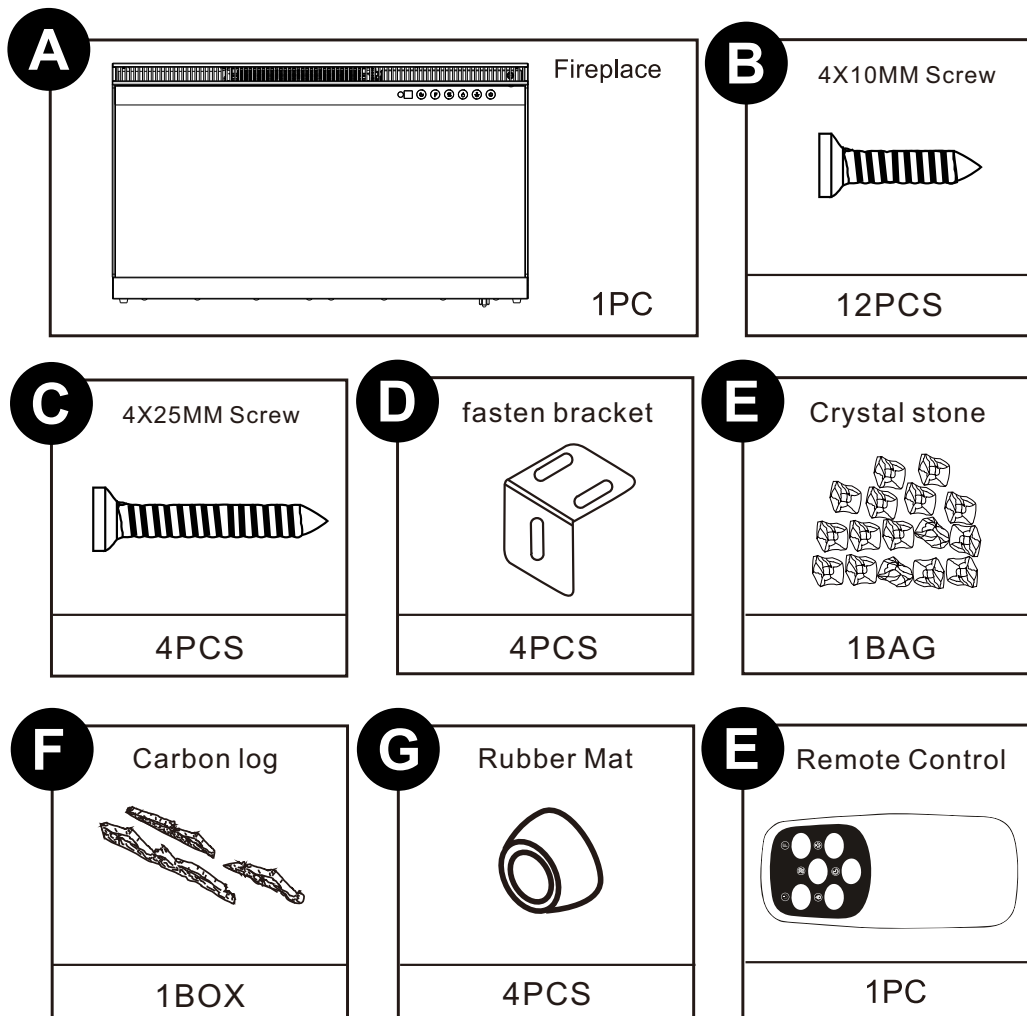
- **GARDEZ CES INSTRUCTIONS !**

PRÉPARATION

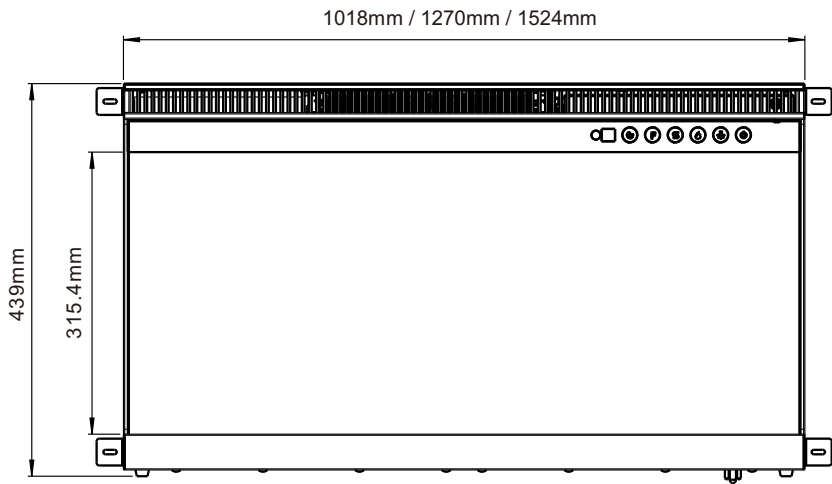


Ce produit comprend un **panneau en VERRE !** Faites toujours preuve d'une **extrême prudence** lorsque vous manipulez du **verre**. Le non-respect de cette consigne peut entraîner des **blessures corporelles ou des dommages matériels**.

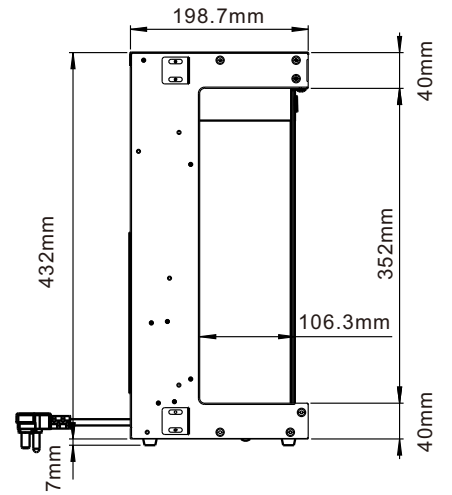
Retirez toutes les pièces et le matériel du carton et placez-les sur une surface propre, douce et sèche. Les pièces et les étapes de montage sont mises à la terre pour une utilisation en suspension ou en encastrement. Vérifiez la liste des pièces pour vous assurer que rien ne manque. Jetez les matériaux d'emballage de manière appropriée. Recyclez-les si possible. Vous aurez besoin des outils suivants (non inclus) : Tournevis Phillips, détecteur de montants, niveau, mètre à ruban, perceuse électrique, mèche à bois de 1/4", marteau.



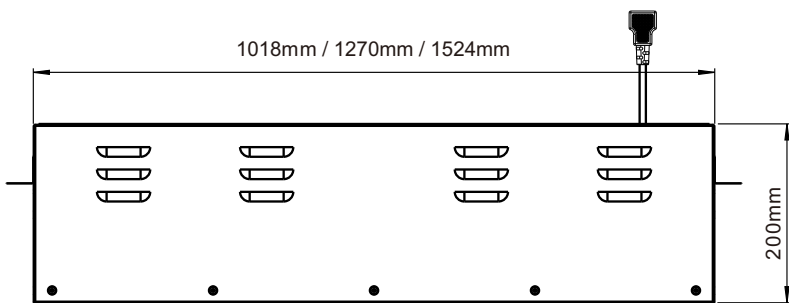
Spécifications et dimensions



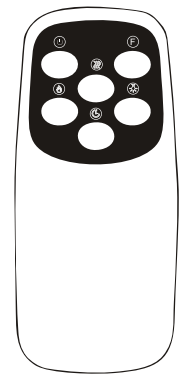
Front View



Side View



Top View



Remote Control

PRODUCT ASSEMBLY

INSTALLATION AUTONOME

1

Retirez les quatre vis noires de l'appareil (voir Fig.1).

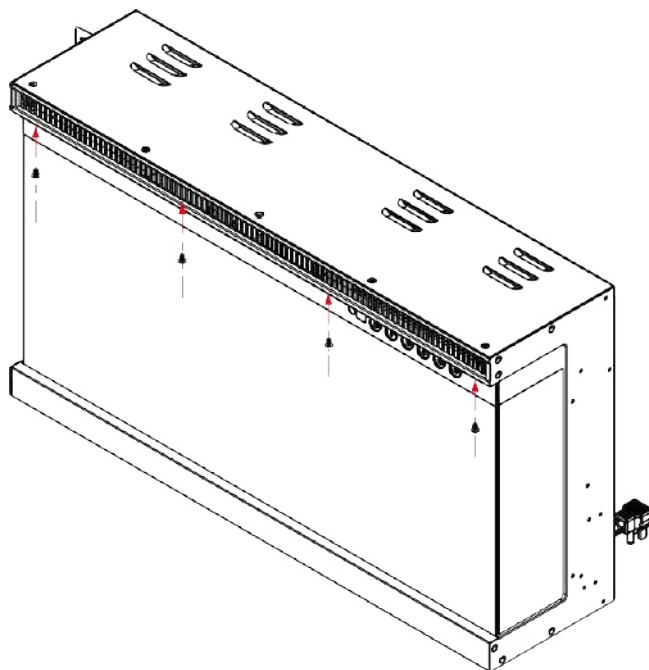


Fig1

2

Retirer le verre trempé de l'avant de l'appareil. Voir Fig.2

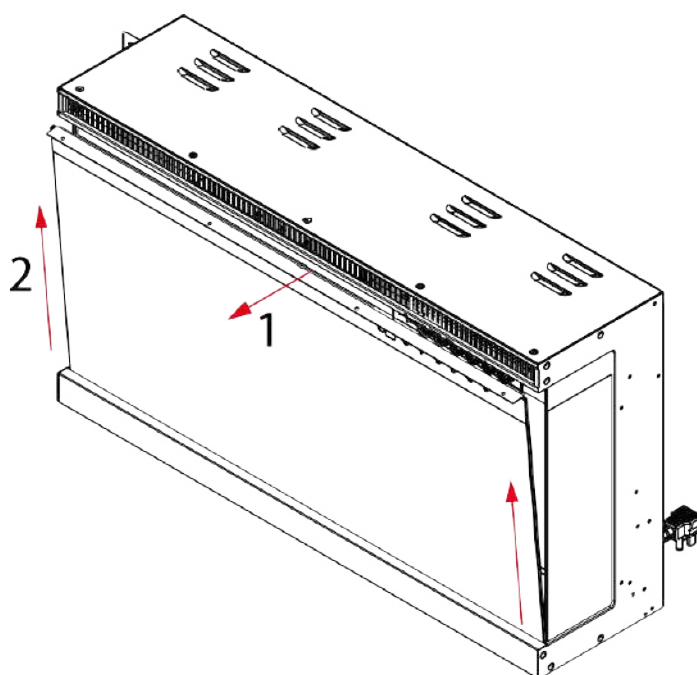


Fig2

PRODUCT ASSEMBLY

INSTALLATION AUTONOME

3

Retirez la boîte de carbone des bûches de l'appareil, voir Fig.3.

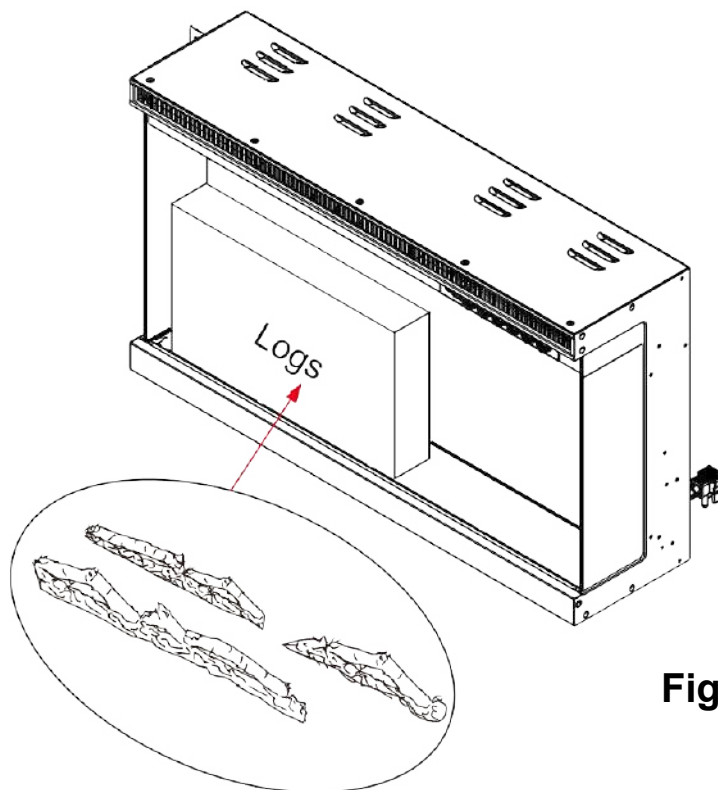


Fig3

4

Posez l'appareil sur le sol ou sur un endroit doux, installez les tapis en caoutchouc "G" avec 4 vis "B" (4x10mm) comme indiqué sur la Fig.4.

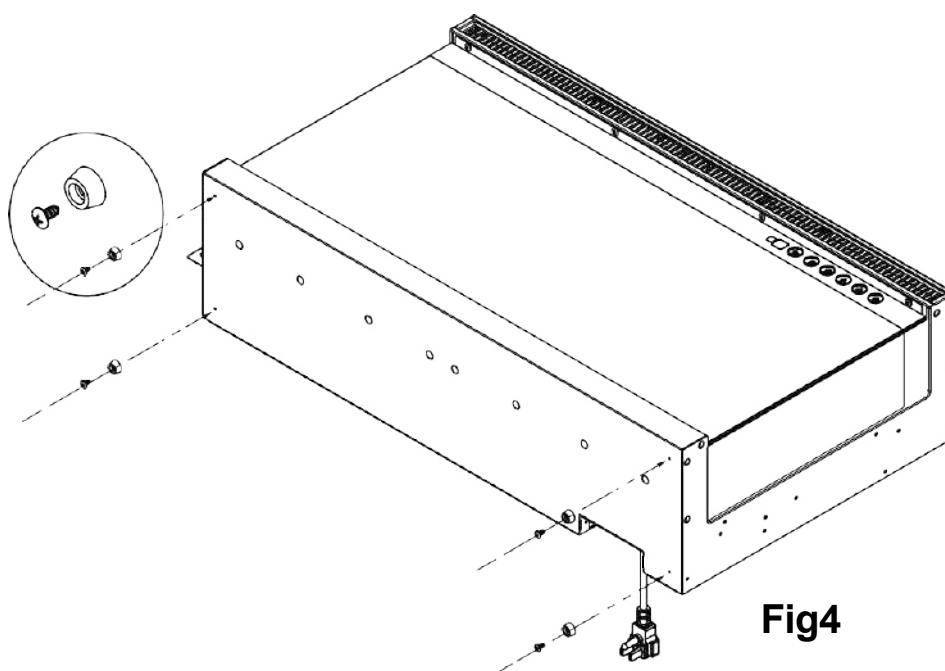


Fig4

PRODUCT ASSEMBLY

INSTALLATION AUTONOME

5

Placez la pierre de cristal "E" et la bûche de carbone "F" dans le lit.
voir Fig.5.

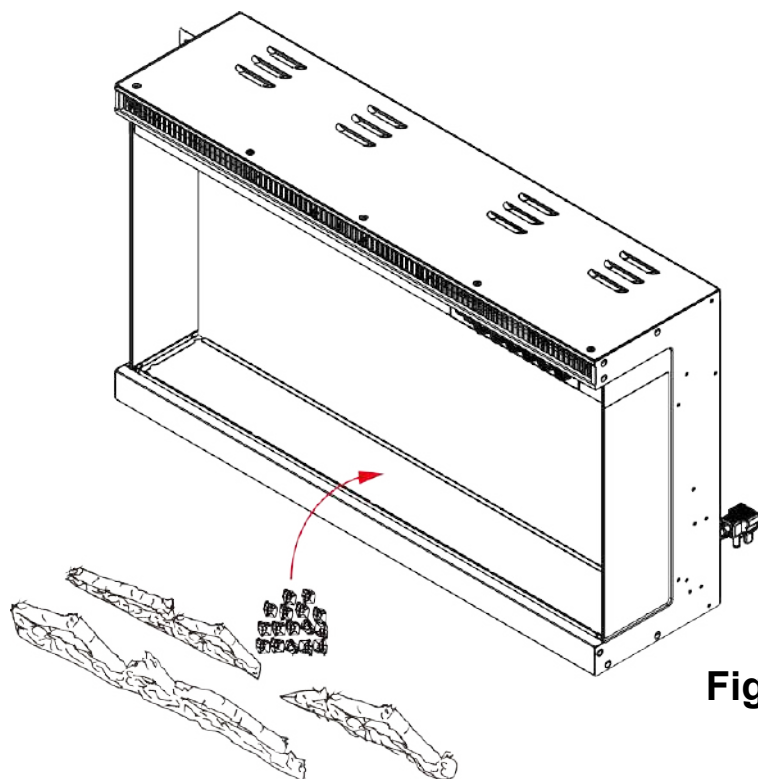


Fig5

6

Insérez et replacez le verre trempé à son emplacement d'origine. voir

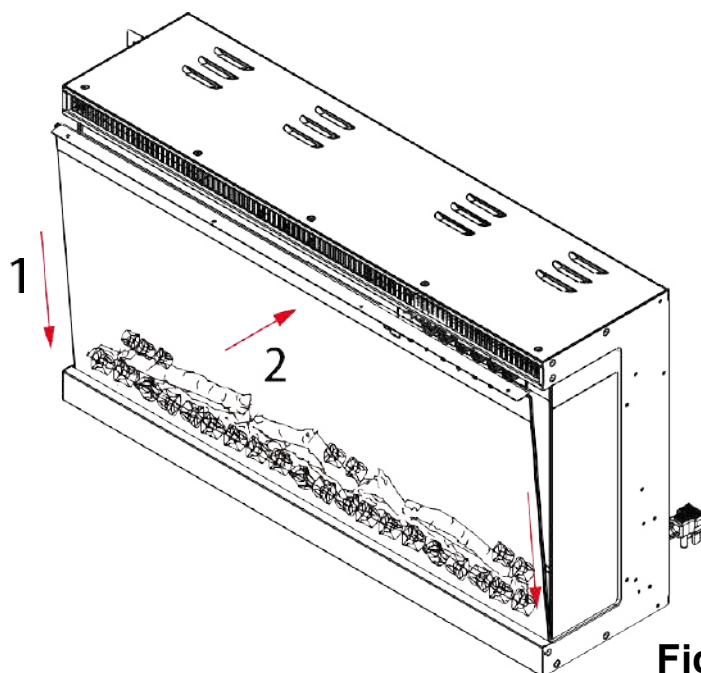


Fig6

PRODUCT ASSEMBLY

INSTALLATION AUTONOME

7

Utilisez les vis d'origine 4x8mm pour fixer le verre trempé. voir Fig.7.

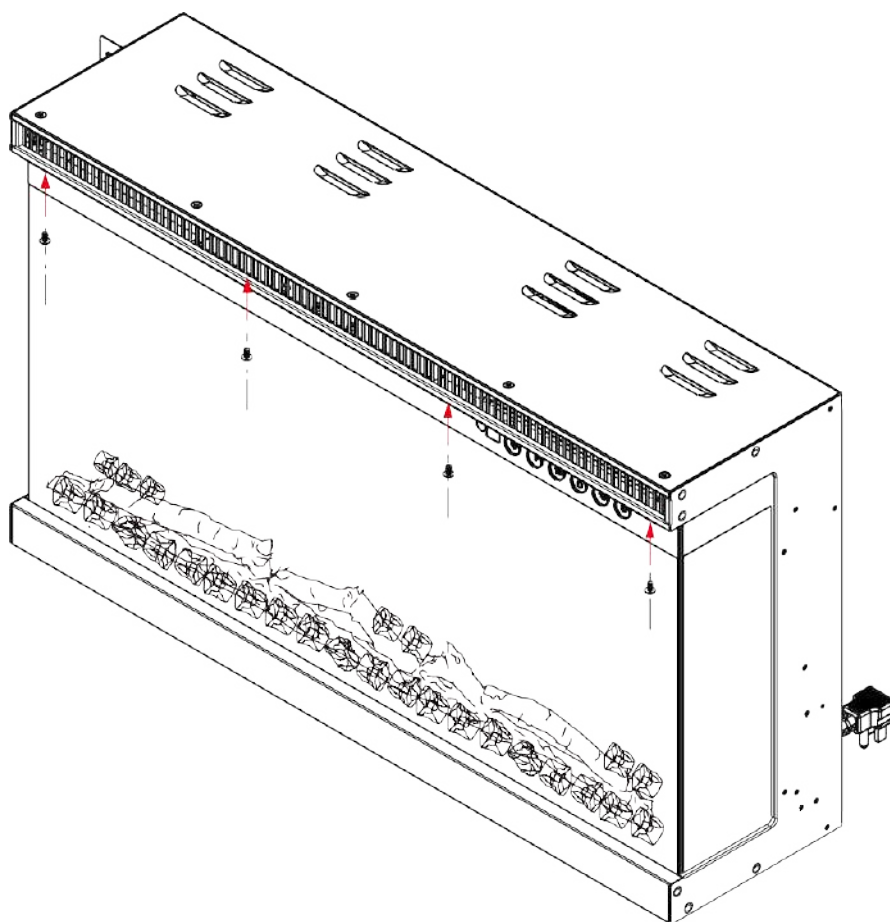
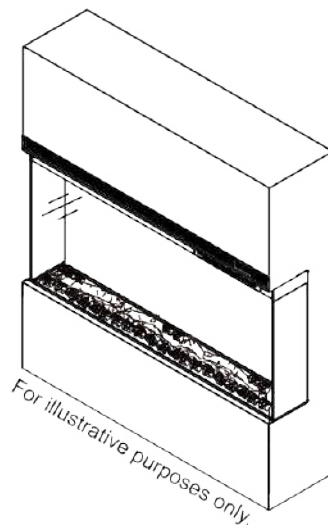


Fig7

Votre appareil peut être installé de trois manières différentes : sur trois côtés, sur deux côtés et sur un seul côté.

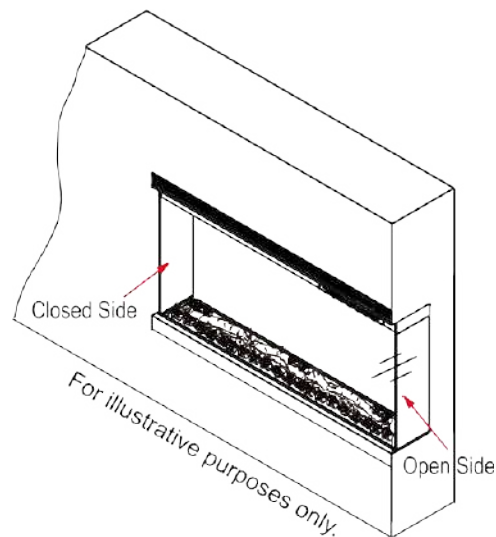
Trois dispositifs d'observation

Les appareils électriques sont entièrement intégrés dans les murs, les côtés sont ouverts:
Vue avant, gauche et droite.



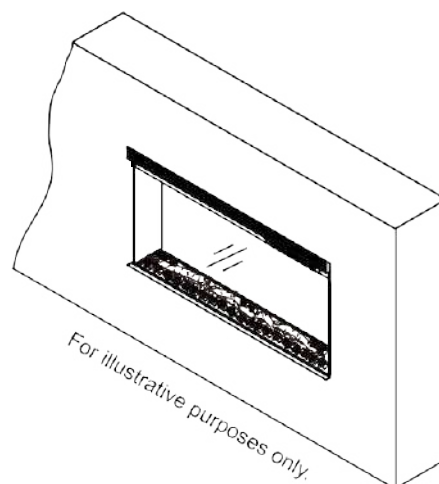
Dispositif d'observation double

Les appareils électriques sont entièrement intégrés dans les murs avec un côté ouvert:
Vue avant et vue gauche / droite, en fonction du côté ouvert / fermé souhaité.



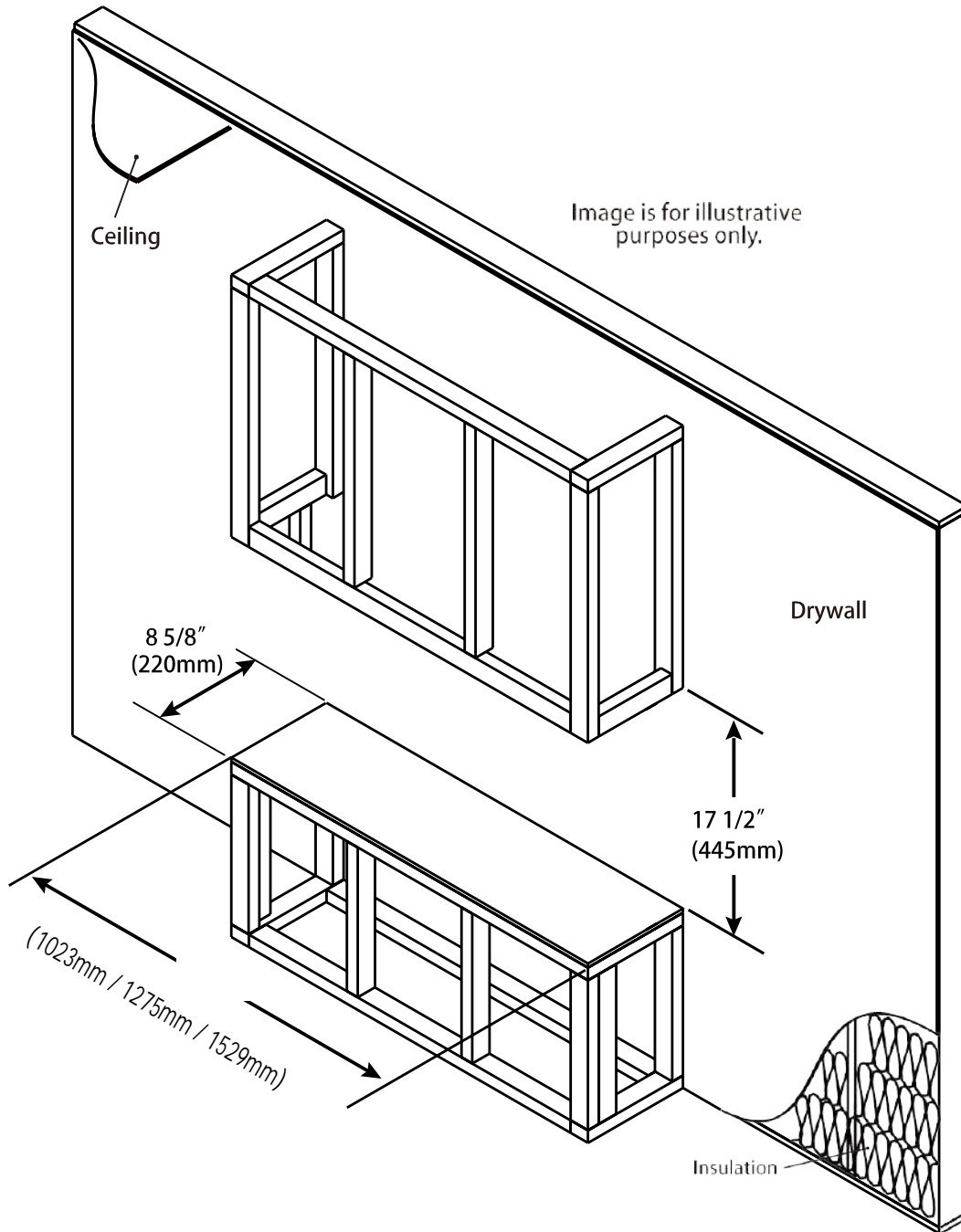
Dispositif d'observation unilatéral

Les appareils sont entièrement intégrés dans les murs :**Inclut la vue gauche et droite.**



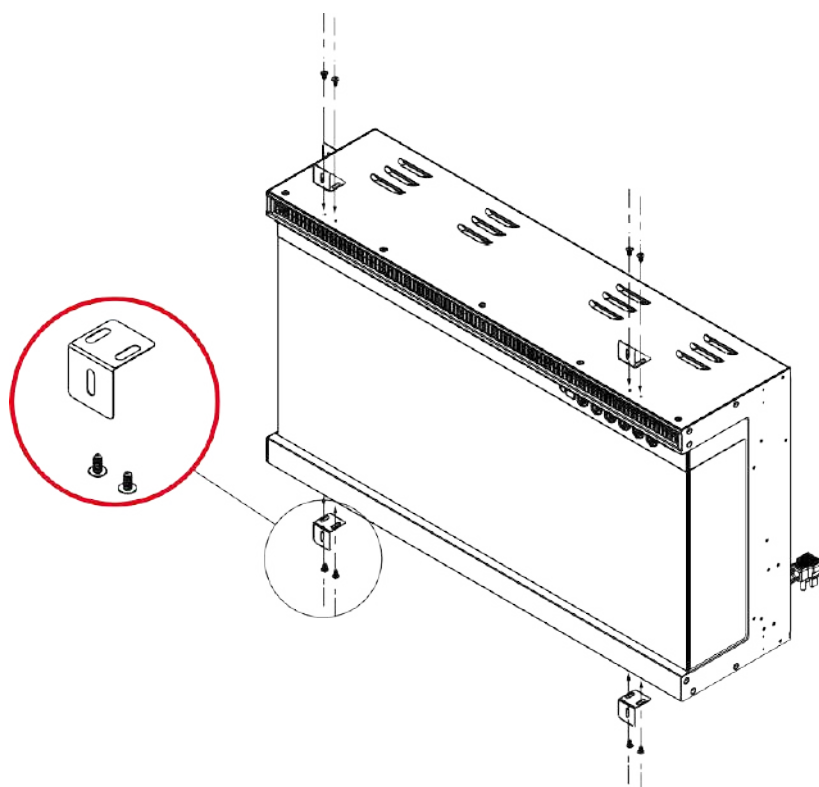
PRODUCT ASSEMBLY

Installation murale intégrée (fixée de l'avant)



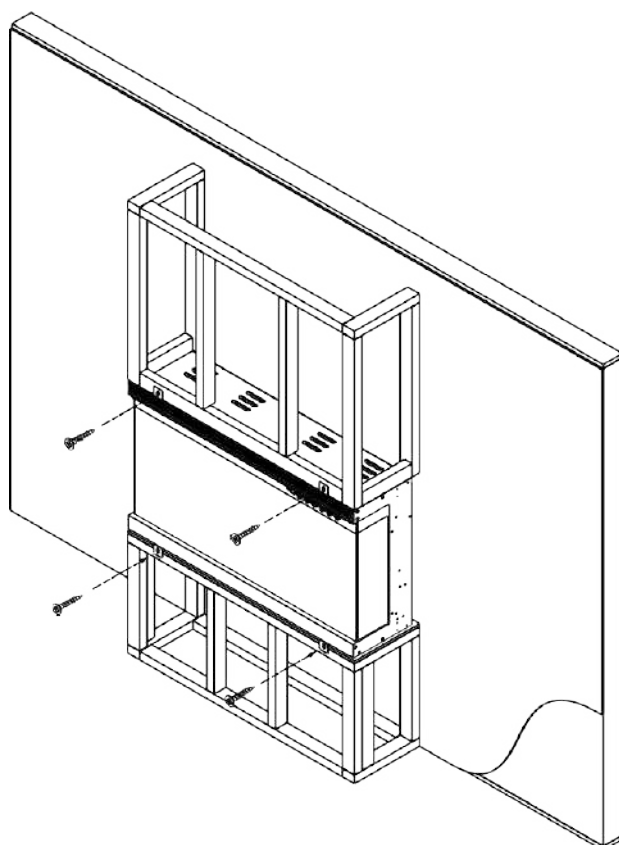
PRODUCT ASSEMBLY

Fixez le support de fixation « D » sur le chauffage avec deux vis de 8 * 10 mm, voir la figure a



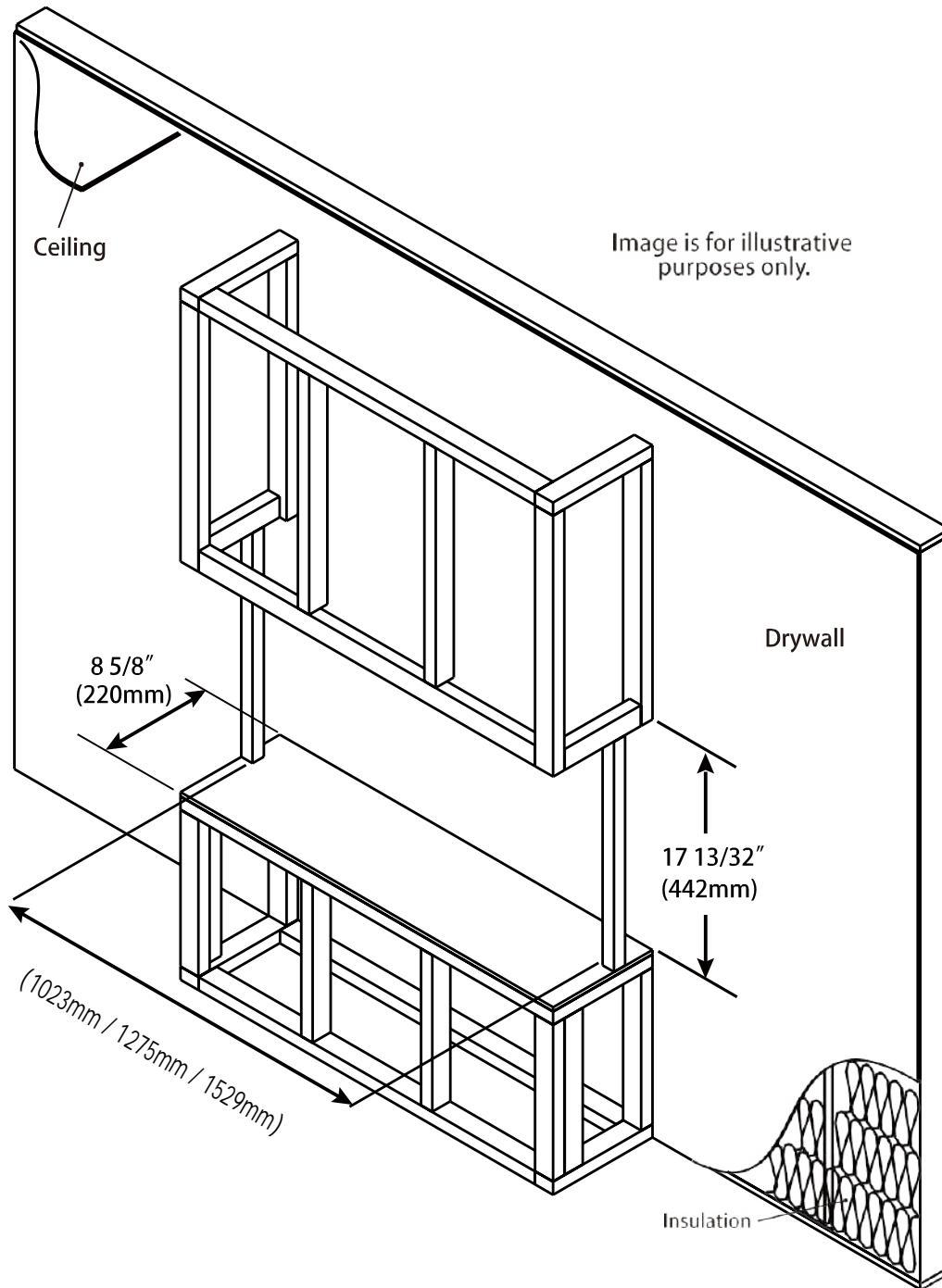
FigA

Mettez la cheminée dans le trou de la cheminée. Utilisez 4 vis 4 x 25 mm "C" pour fixer le support avant.



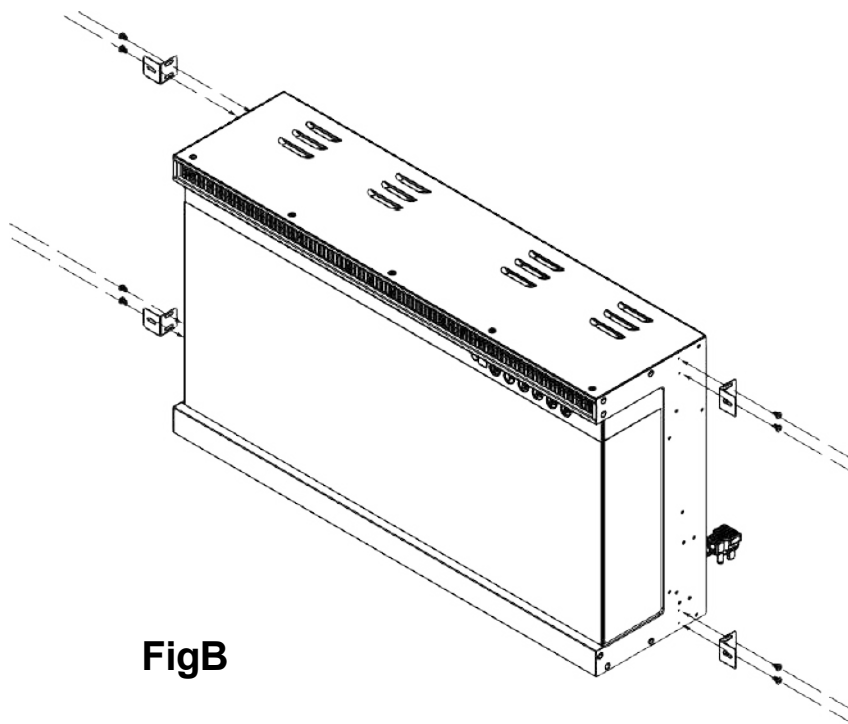
PRODUCT ASSEMBLY

Installation murale intégrée (fixée sur les deux côtés)



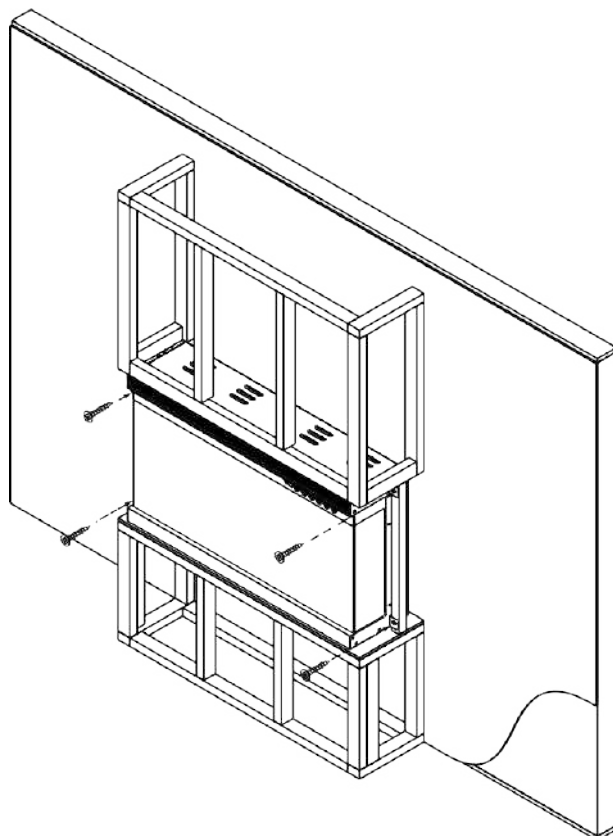
PRODUCT ASSEMBLY

Fixez le support de fixation "D" sur le chauffage (deux côtés) avec deux vis de 8 * 10 mm, voir la figure B



FigB

Mettez la cheminée dans le trou de la cheminée. Utilisez 4 vis 4 x 25 mm "C" pour fixer les supports avant



AVERTISSEMENT

ÉTEIGNEZ COMPLÈTEMENT L'APPAREIL ET LAISSEZ-LE REFROIDIR AVANT DE LE RÉPARER. SEUL UN TECHNICIEN QUALIFIÉ DOIT ENTRETENIR ET RÉPARER CET APPAREIL ÉLECTRIQUE.

AVERTISSEMENT

Lisez et comprenez l'intégralité de ce manuel d'utilisation, y compris toutes les informations relatives à la sécurité, avant de brancher ou d'utiliser ce produit. Le non-respect de cette consigne peut entraîner un choc électrique, un incendie, des blessures graves, voire la mort.

Puissance

Branchez le cordon d'alimentation dans une prise 220V Volt 7 Amp (au Royaume-Uni/Europe) 110-120V Volt 12 Amp (au Royaume-Uni/Europe).

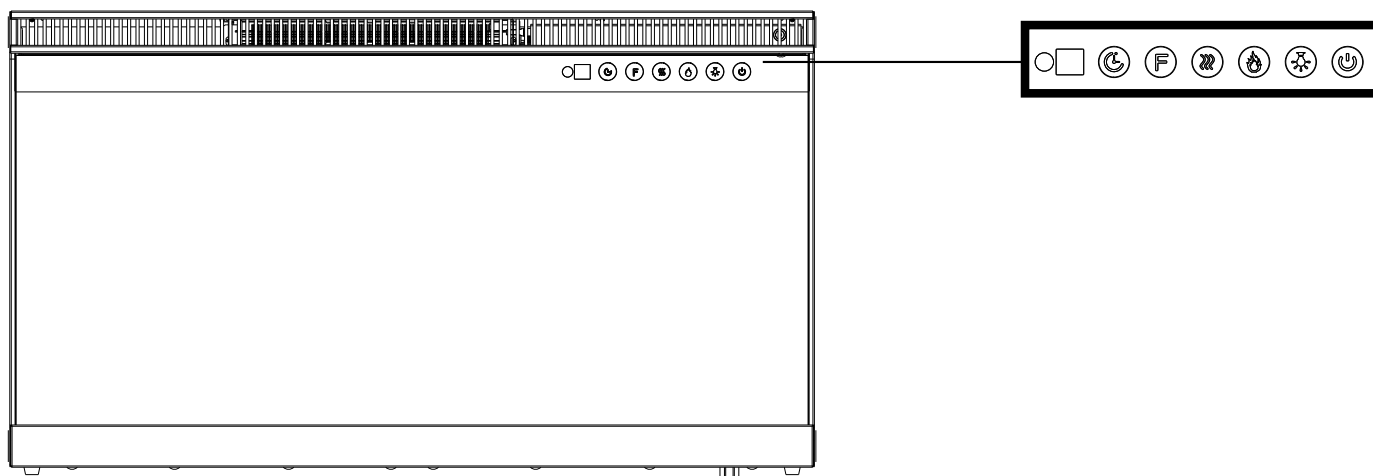
États-Unis) (voir les INFORMATIONS IMPORTANTES SUR LA SÉCURITÉ aux pages 2 et 3).

la prise de courant est en bon état et que la fiche n'est pas desserrée.







pour le circuit. NE PAS brancher d'autres appareils sur le même circuit.

Méthodes d'exploitation

- Cette cheminée électrique peut être commandée soit par les interrupteurs situés en haut à droite du foyer, soit par la télécommande fournie.



Écran tactile/télécommande Fonctionnement

BOUTON	FONCTION	ACTION&INDICATION
 POWER	ON : active les fonctions du panneau de commande et de la télécommande, allume l'effet de flamme. OFF : Désactive les fonctions du panneau de commande et de la télécommande. Désactive l'effet de flamme.	1. Appuyez une fois. Le témoin lumineux s'allume. L'appareil est sous tension. Toutes les fonctions sont activées. 2. Appuyez à nouveau, l'alimentation s'éteint
 FLAME	Bouton FLAME : 1. Rend l'effet de flamme plus faible et plus fort. 2. Changer la couleur de la flamme (sur le panneau de contrôle du foyer)	1. Appuyez une fois. L'effet de luminosité de la flamme change. 2. Appuyez à nouveau. Jusqu'à ce que le réglage souhaité soit atteint.
 CHAUFFEUR	Bouton HEATER : allume et éteint le chauffage. REMARQUE : Pour éviter la surchauffe, le ventilateur du chauffage soufflera de l'air frais pendant 30 secondes après l'arrêt du chauffage.	1. Appuyez une fois. L'indicateur s'allume et affiche "L". Le chauffage bas se met en marche et souffle de l'air chaud. 2. Appuyez à nouveau. L'indicateur s'allume et affiche "H". L'élément chauffant s'allume et souffle de l'air chaud. 3. Appuyez à nouveau. L'indicateur affiche "00". Le ventilateur souffle de l'air frais pendant 30 secondes pour permettre à l'appareil de refroidir, puis s'éteint.
 TEMP.	Bouton TEMPÉRATURE : Permet de contrôler les paramètres de température pour choisir la température souhaitée. Plage de réglage de (62F à 82F / 17C à 27C). Appuyez longuement pour basculer entre Celsius et Fahrenheit.	1. Appuyez une fois. Le témoin lumineux s'allume. La température est réglée sur 62F/17C. 2. Appuyez à nouveau sur la touche jusqu'à ce que le réglage souhaité soit atteint. L'affichage LED indique le réglage.
 TIMER	Bouton TIMER : Contrôle les réglages de la minuterie pour éteindre le foyer à l'heure choisie. Les réglages vont de 1 heure à 8 heures.	3. Appuyez une fois. Le témoin lumineux s'allume. La température est réglée sur les heures. Appuyez à nouveau sur la touche jusqu'à ce que le réglage souhaité soit atteint. L'affichage LED indique le réglage.
 COULEUR	Bouton COLOR : Permet de modifier l'effet de flamme de la couleur.	1. Appuyez une fois. L'effet de la couleur de la flamme change. 2. Appuyez à nouveau sur cette touche jusqu'à ce que le réglage souhaité soit atteint.

AVIS

Lorsque l'appareil est mis en marche pour la première fois, une légère odeur peut être présente. Ceci est normal et ne devrait pas se reproduire, à moins que le radiateur ne soit pas utilisé pendant une longue période.

AVIS

Pour améliorer le fonctionnement, dirigez la télécommande vers l'avant du foyer. N'appuyez PAS sur les boutons trop rapidement et laissez à l'appareil le temps de répondre à chaque commande.

Contrôle de la limitation de la température

Ce radiateur est équipé d'un contrôle de limitation de la température. Si le radiateur atteint une température dangereuse, il s'éteint automatiquement. Pour le réinitialiser :

1. Débranchez le cordon d'alimentation de la prise.

2. Mettez l'interrupteur ON/OFF du PANNEAU DE COMMANDE sur OFF. Attendez 5 minutes.
3. Inspectez le foyer pour vous assurer qu'aucun événement n'est bloqué ou obstrué par de la poussière ou des peluches. Si c'est le cas, utilisez un aspirateur pour nettoyer les zones de ventilation.
4. L'interrupteur POWER étant en position OFF, rebranchez le cordon d'alimentation dans la prise.
5. Si le problème persiste, faites inspecter votre prise et son câblage par un professionnel.

Informations sur la batterie de la télécommande

La télécommande nécessite deux piles AAA



Ne **JAMAIS** jeter les piles dans le feu. Le non-respect de cette précaution peut entraîner une explosion.

Déposez les piles dans votre centre local de traitement des matières dangereuses.

ENTRETIEN ET MAINTENANCE

Nettoyage



TOUJOURS éteindre l'appareil et **débrancher le cordon d'alimentation de la prise** avant de nettoyer, d'effectuer l'entretien ou de déplacer ce foyer. Le non-respect de cette consigne pourrait entraîner un **choc électrique, un incendie ou des blessures corporelles**.



N'immergez **JAMAIS** l'appareil dans l'eau et ne l'aspergez **JAMAIS** d'eau. Cela pourrait entraîner un **choc électrique, un incendie ou des blessures corporelles**.

Métal :

- Lustrer à l'aide d'un chiffon doux, légèrement humidifié avec un produit à base d'huile d'agrumes.
- **NE PAS** utiliser de produit de polissage pour laiton ou de nettoyant ménager, car ces produits endommageraient la garniture métallique.

Le verre :

- Utilisez un nettoyant pour vitres de bonne qualité et séchez-le soigneusement avec une serviette en papier ou un chiffon non pelucheux.
- N'utilisez **JAMAIS** de nettoyants abrasifs, de sprays liquides ou tout autre nettoyant qui pourrait rayer la surface.

Les ventilateurs :

- Utilisez un aspirateur ou un plumeau pour enlever la poussière et la saleté de l'appareil de chauffage et des zones de ventilation.
- Nettoyez l'extérieur du foyer avec un chiffon ou un plumeau légèrement humide.

Maintenance



Risque de choc électrique ! NE PAS OUVRIR ! Aucune pièce réparable par l'utilisateur à l'intérieur !



TOUJOURS éteindre l'appareil et **débrancher le cordon d'alimentation de la prise** avant de nettoyer, d'effectuer l'entretien ou de déplacer ce foyer. Le non-respect de cette consigne pourrait entraîner un **choc électrique, un incendie ou des blessures corporelles.**

Pièces électriques et mobiles :

- Les moteurs des ventilateurs sont lubrifiés en usine et ne nécessitent aucune lubrification.
- Les composants électriques sont intégrés dans le foyer et ne peuvent pas être réparés par le consommateur.

Stockage :

- Rangez l'appareil dans un endroit propre et sec lorsqu'il n'est pas utilisé.



AVERTISSEMENT ! Aucun autre entretien ne doit être effectué par le consommateur. N'essayez pas de réparer l'appareil vous-même.

Dépannage



AVERTISSEMENT

DÉBRANCHEZ COMPLÈTEMENT L'APPAREIL ET LAISSEZ-LE REFROIDIR AVANT TOUTE INTERVENTION.

Problème	Cause possible	Solution
1. Le foyer s'éteint et ne s'allume pas.	1. Le foyer a surchauffé et de sécurité a provoqué interrupteur thermique pour déconnecter ou le disjoncteur de la maison s'est ouvert.	1. Réinitialisez l'interrupteur en coupant l'alimentation principale et en attendant de la remettre en marche ou en coupant le disjoncteur.
2. La flamme ne bouge pas.	1. Câblage défectueux. 2. Moteur de la flamme défectueux. 3. Tige de flamme hors de sa place	1. Vérifiez que le câblage ne comporte pas de connexions lâches. 2. Appelez un technicien de service qualifié pour remplacer le moteur de la flamme. 3. La "tige de flamme" n'est pas en place en raison d'un transport ou d'un maniement brutal du produit. Pour corriger ce problème, il suffit de retirer la vitre, de retourner le foyer, de retirer les vis qui maintiennent la plaque inférieure du cadre et de remettre la tige de flamme en place.

3 La flamme n'est pas visible.	1. Le câblage est lâche	1. Débranchez l'appareil de la source d'alimentation et vérifiez que le câblage n'est pas desserré, puis réparez-le ou remplacez-le si nécessaire. 2. Poussez le bouton de la flamme sur la position haute
4 Le jeu de bûches et/ou le cristal ne brille pas.	1. Le câblage est lâche 2. La braise est en mode éteint	1. Débranchez l'appareil de la source d'alimentation et vérifiez que le câblage n'est pas desserré, puis réparez-le ou remplacez-le si nécessaire.
5 Télécommande ne fonctionne pas.	1. Piles faibles. 2. Ne pas viser le contrôle correctement. 3. Télécommande et/ou capteur défectueux	1. Remplacez les piles de la télécommande. 2. Dirigez le contrôle vers le capteur situé directement derrière l'écran de verre au centre de l'unité, juste au-dessus des bûches. 3. Remplacez la télécommande et/ou le capteur. 4. Vous pouvez contacter notre équipe du service clientèle pour obtenir une télécommande de remplacement. Vous pouvez nous trouver à l'adresse mjy941218@hotmail.com

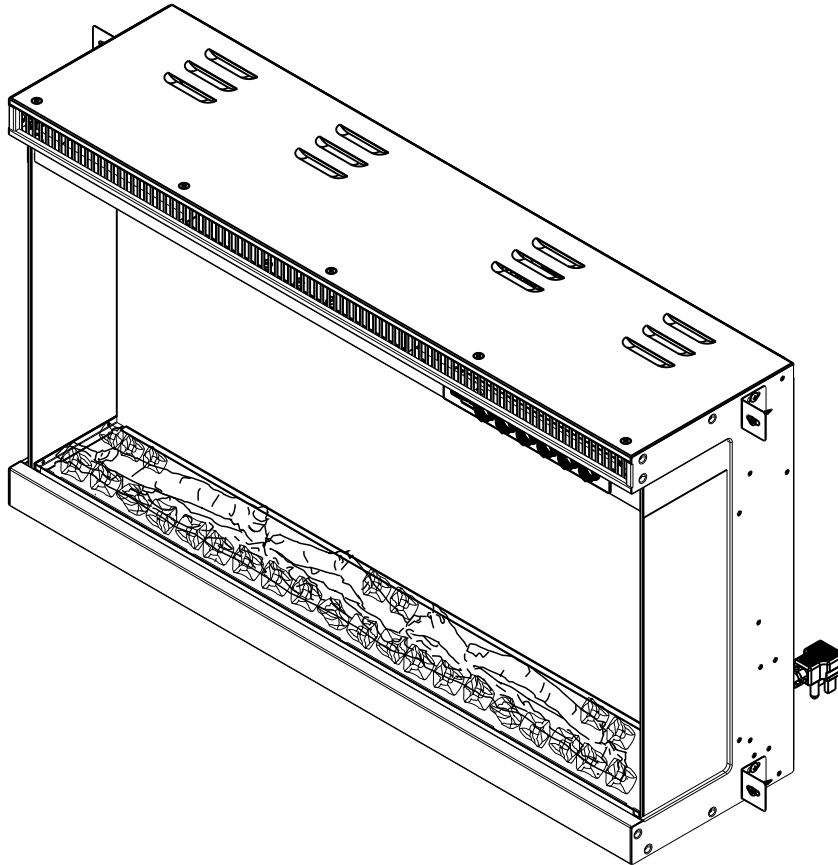
Merci d'avoir acheté notre cheminée !

Si vous avez des questions avant ou après l'achat, n'hésitez pas à nous contacter

Nous vous répondrons dans les 24 heures. Et notre équipe professionnelle de service technique et de service à la clientèle vous aidera à résoudre vos problèmes et vous assurera la meilleure expérience d'achat ! Merci !

INSTRUCTION MANUAL








Electric Fireplace



¡ NO DEVUELVA!

Por favor, póngase en contacto con nuestro equipo de atención al cliente para obtener ayuda primero.

Índice de contenidos

	INFORMACIÓN DE SEGURIDAD IMPORTANTE....	3
	PIEZAS Y HARDWARE.....	5
	Especificaciones y dimensiones.....	6
	Instalación y montaje	7
	Métodos de funcionamiento.....	16
	Solución de problemas.....	19
	Soporte técnico	20

Recurra siempre a un técnico cualificado o a una agencia de servicios para reparar esta chimenea.

! **NOTA:** Procedimientos y técnicas que se consideran lo suficientemente importantes como para destacarlos.

! **PRECAUCIÓN:** Procedimientos y técnicas que, si no se siguen cuidadosamente, provocarán daños en el equipo.

! **ADVERTENCIA:** Procedimientos y técnicas que, si no se siguen cuidadosamente, exponen al usuario al riesgo de incendio, lesiones graves o muerte.

INFORMACIÓN IMPORTANTE DE SEGURIDAD



ADVERTENCIA



- **Lea todas las instrucciones antes de utilizar este calefactor.**
- Este calentador está caliente cuando se **utiliza**. Para evitar quemaduras, **NO** deje que la piel desnuda toque las superficies calientes. Si se proporciona, utilice las asas para mover este calefactor. Mantenga **los materiales combustibles**, como muebles, almohadas, ropa de cama, papeles, ropa y cortinas, a una distancia mínima de **3 pies (0,9 m)** de la parte delantera de la **estufa**, y **manténgalos alejados de los lados y la parte trasera**.
- Es necesario **extremar las precauciones** cuando cualquier calefactor sea utilizado por niños o inválidos, o cerca de ellos, y siempre que se deje el calefactor **en funcionamiento y sin vigilancia**.
- **NO** opere ningún calentador con un **cable o enchufe dañado** o después de que el **calentador funcione mal**, se haya **caído** o se haya **dañado de cualquier manera**, deseche el calentador, o devuélvalo a un centro de servicio autorizado para su examen y/o reparación.
- **NO** pase el cable de alimentación por debajo de la alfombra. **NO** cubra el cable de alimentación con alfombras, correderas o revestimientos similares. **NO pase el cable de alimentación** por debajo de los muebles o electrodomésticos. Coloque el cable de alimentación lejos del **área de tráfico** y donde no se pueda tropezar con él.



ADVERTENCIA



- **Conéctese SÓLO a tomas de corriente con conexión a tierra.**
- **NO** introduzca ni permita que **entren** objetos extraños en ninguna de las **aberturas de ventilación o escape**, ya que esto puede causar una **descarga eléctrica** o un **incendio**, o **dañar el calentador**.
- Para evitar un posible incendio, **NO** bloquee las entradas de aire ni el escape de ninguna manera. Hacerlo podría provocar un incendio. **NO** lo utilice sobre superficies blandas, como una cama, donde las aberturas podrían bloquearse.
- El calefactor tiene **en su interior piezas calientes y que producen arcos o chispas**. **NO** lo utilice en zonas donde se utilice o almacene **gasolina, pintura o líquidos inflamables**.
- **Utilice este calentador sólo como se describe en este manual. Cualquier otro uso no recomendado por el fabricante puede provocar un incendio, una descarga eléctrica o lesiones a las personas.**
- **Enchufe SIEMPRE los calefactores directamente en una toma de corriente/receptor de pared. No los utilice nunca con un cable de extensión o una toma de corriente reubicable (enchufe/regleta).**
- **NO** coloque el calefactor cerca de una cama porque objetos como almohadas o mantas

pueden caerse de la cama y ser encendidos por el calefactor.

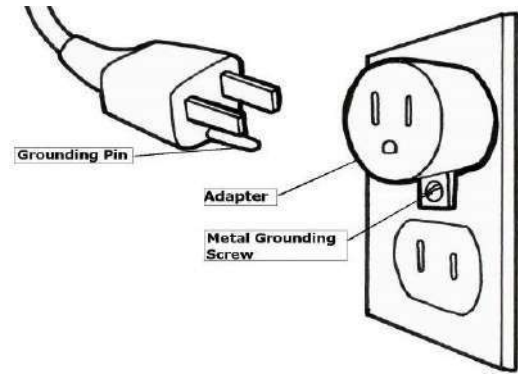
- **NUNCA** utilice este calefactor en **baños, lavanderías** o cualquier otro lugar donde el calefactor pueda caer en una **bañera o piscina, humedecerse** o entrar en contacto **con el agua**.
- ¡ **EVITE EL FUEGO!** Inspeccione regularmente todos los conductos de ventilación para asegurarse de que están libres de polvo, pelusas u otros

Obstrucción. **Desenchufe la unidad** y límpiela **SOLO con una aspiradora**. **NO** aclare ni moje el aparato.

- Monte **SIEMPRE** el soporte en la pared (o empotrado en la pared / o instale las patas libres) antes de utilizarlo. **NO** ponga el aparato en el suelo, ni en otra superficie, para usarlo.
- **NUNCA** utilice un soporte de pared de otro fabricante.
- Este producto **no está destinado** a ser una **fuentes de calor primaria**. Es **sólo** para el **calor suplementario**.
- **Sólo para uso interior**. **No** utilice **NUNCA** este calefactor **al aire libre**. Si lo hace, puede provocar **una descarga eléctrica**.
- ¡**Riesgo de descarga eléctrica!** ¡**NO ABRIR!** El interior no contiene piezas que puedan ser reparadas por el usuario.
- **Apague SIEMPRE** este calentador antes de desenchufarlo de la toma de corriente.
- **Desconecte SIEMPRE** esta unidad de la fuente de **alimentación antes de** realizar cualquier montaje o limpieza, o antes de reubicar la chimenea eléctrica.
- **NUNCA** deje este calentador desatendido. **Desenchufe SIEMPRE** este calentador cuando no esté en uso.
- Almacene **SIEMPRE** este calentador en un lugar seco. **NUNCA** utilice la chimenea si se ha mojado.
- **NUNCA** enchufe este calentador en un tomacorriente que esté **viejo, agrietado** o que tenga **cables o conexiones sueltas**. Enchufar esta estufa en una toma de corriente defectuosa podría provocar **un arco eléctrico** dentro de la toma de corriente que podría hacer que **ésta se sobrecalentara o se incendiara**.
- Compruebe **SIEMPRE** el cable del calentador y las conexiones del enchufe con **cada uso**.
 - i) **ASEGÚRESE de que** el enchufe encaje bien en la toma de corriente. Las conexiones defectuosas de la toma de corriente o los enchufes sueltos pueden hacer que la toma de corriente se sobrecaliente.
 - ii) **Los calentadores consumen más corriente** que los aparatos pequeños. Puede producirse **un sobrecalentamiento** aunque no se haya producido con el uso de otros aparatos.
 - iii) Durante el uso, compruebe **con frecuencia** si la **toma de corriente o la placa frontal** están **calientes**.

Si el tomacorriente o la placa frontal están **CALIENTES**, **interrumpa el uso inmediatamente** y haga que un electricista calificado inspeccione y/o reemplace los tomacorrientes defectuosos.

- El cable de alimentación suministrado con la estufa tiene un enchufe con dos clavijas planas (vivo y neutro) y una redonda (tierra). Si no se dispone de un receptáculo de 3 ranuras, se **DEBE** utilizar un adaptador. El adaptador **DEBE** estar **correctamente conectado a tierra** en la caja de salida (ver figura a la derecha). (Nota: El adaptador **NO SE INCLUYE**).
- ¡ **GUARDE ESTAS INSTRUCCIONES!**



PREPARACIÓN

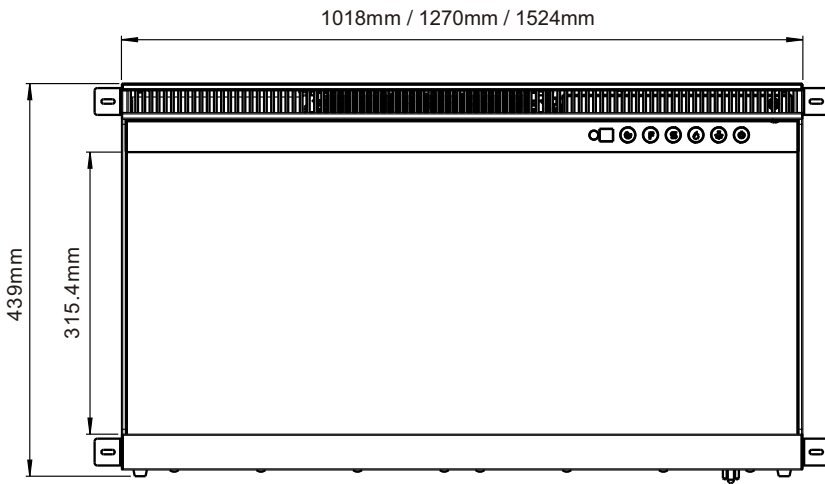


¡Este producto incluye un **panel de VIDRIO!** Tenga siempre **mucha precaución** al manipular el **vidrio**. Si no lo hace, podría provocar **lesiones personales o daños materiales**.

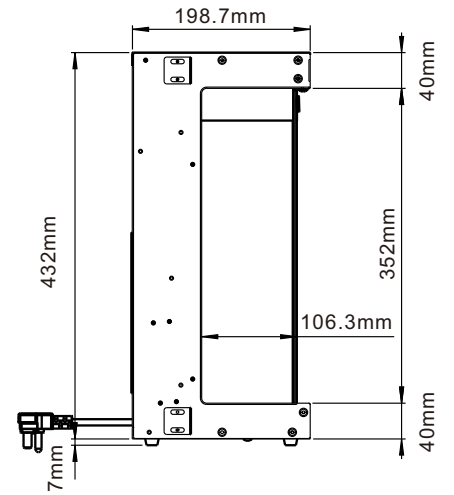
Saque todas las piezas y herrajes de la caja y colóquelas sobre una superficie limpia, suave y seca. Las piezas y los pasos de montaje están conectados a tierra para su uso colgado en la pared o empotrado. Compruebe la lista de piezas para asegurarse de que no falta nada. Deseche los materiales de embalaje de forma adecuada. Recicle siempre que sea posible. Necesitará las siguientes herramientas (no incluidas): Destornillador Phillips; localizador de montantes; nivel; cinta métrica; taladro eléctrico; broca para madera de 1/4", martillo.

- | | |
|---|--|
| <p>A Fireplace</p> <p>1PC</p> | <p>B 4X10MM Screw</p> <p>12PCS</p> |
| <p>C 4X25MM Screw</p> <p>4PCS</p> | <p>D fasten bracket</p> <p>4PCS</p> |
| <p>E Crystal stone</p> <p>1BAG</p> | |
| <p>F Carbon log</p> <p>1BOX</p> | <p>G Rubber Mat</p> <p>4PCS</p> |
| | <p>E Remote Control</p> <p>1PC</p> |

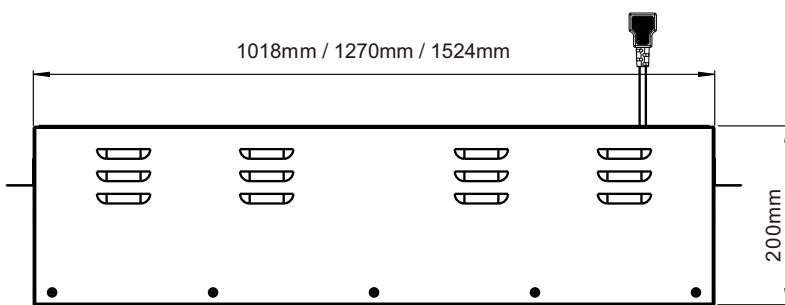
Especificaciones y dimensiones



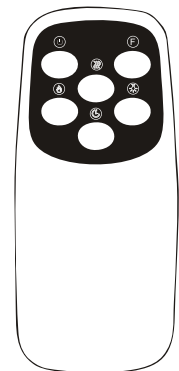
Front View



Side View



Top View



Remote Control

PRODUCT ASSEMBLY

INSTALACIÓN INDEPENDIENTE

1

Retire los cuatro tornillos negros del aparato, consulte la Fig. 1.

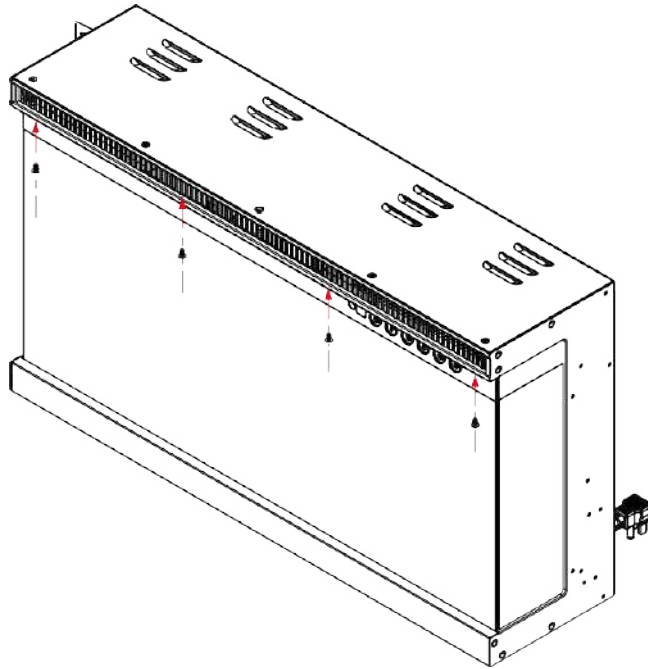


Fig1

2

Retire el cristal templado frontal del aparato. Ver Fig.2

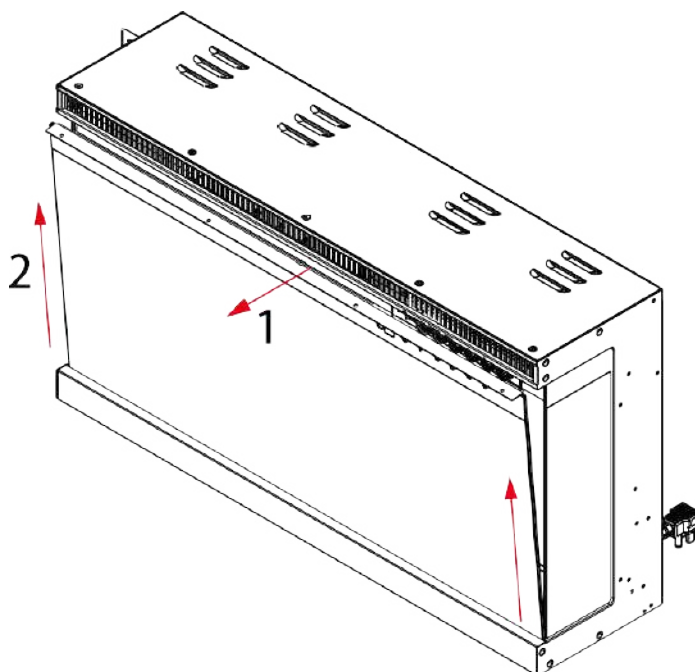


Fig2

PRODUCT ASSEMBLY

INSTALACIÓN INDEPENDIENTE

3

Saque la caja de carbón de los troncos del aparato, véase Fig.3.

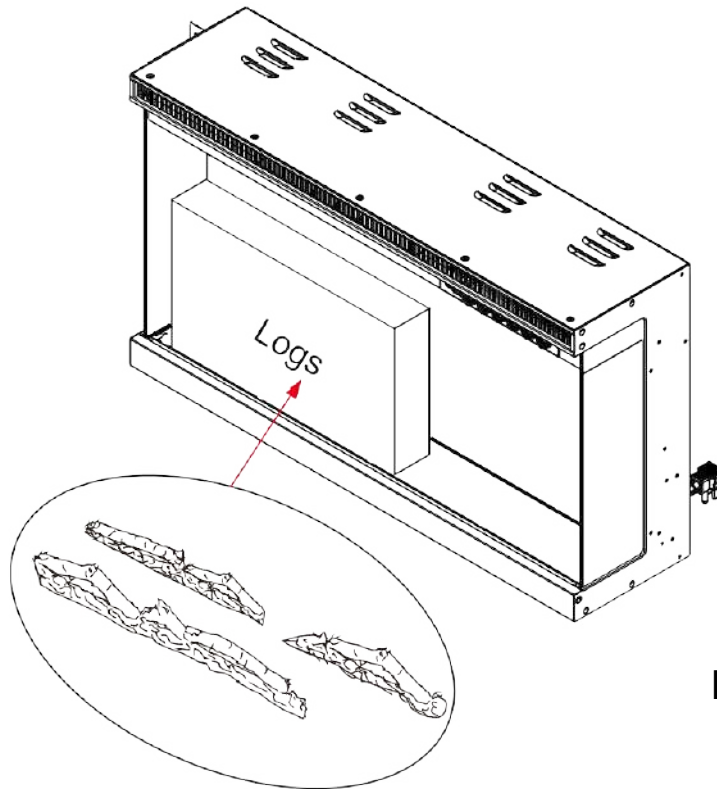


Fig3

4

Coloque la estufa en el suelo o en un lugar blando, instale las alfombrillas de goma "G" con 4 tornillos "B" (4x10mm) como se indica en la Fig.4.

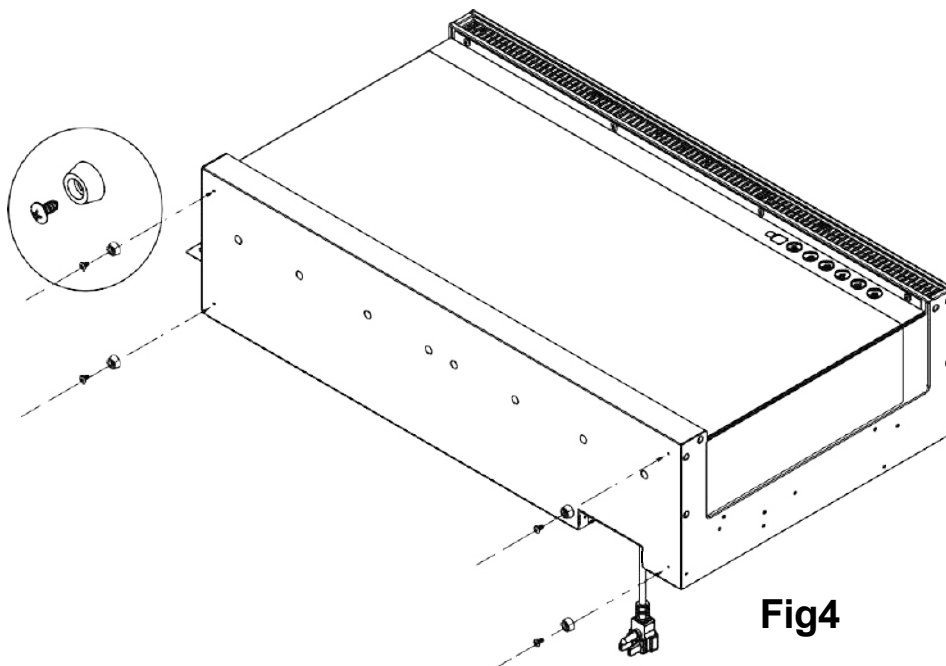


Fig4

PRODUCT ASSEMBLY

INSTALACIÓN INDEPENDIENTE

5

Coloque la piedra de cristal "E" y el tronco de carbón "F" en la cama. ver Fig.5.

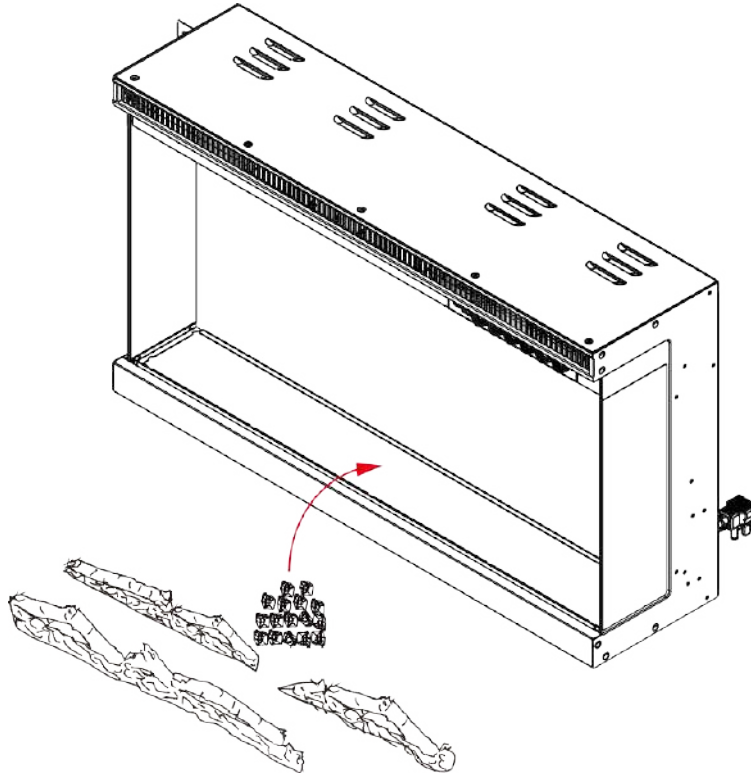


Fig5

6

Inserte y vuelva a colocar el vidrio templado en el lugar original. ver Fig.6.

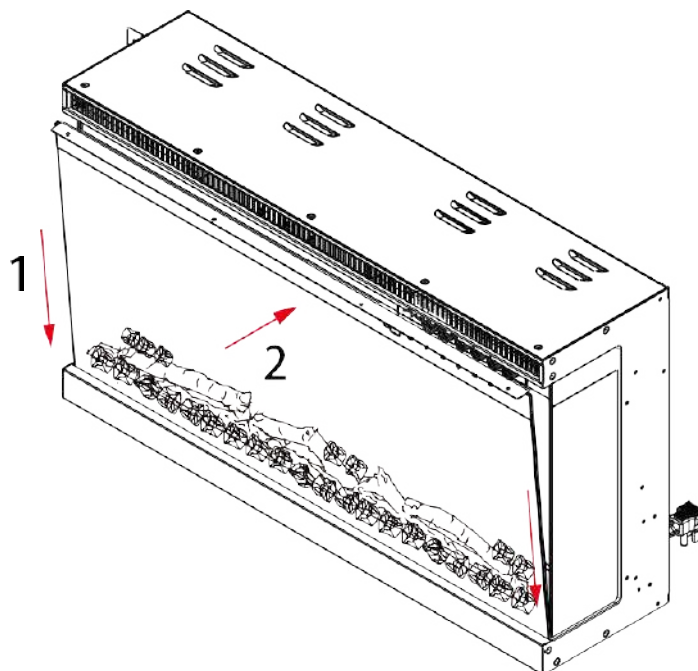


Fig6

PRODUCT ASSEMBLY

INSTALACIÓN INDEPENDIENTE

7

Utilice tornillos originales de 4x8mm para fijar el cristal templado. ver Fig.7.

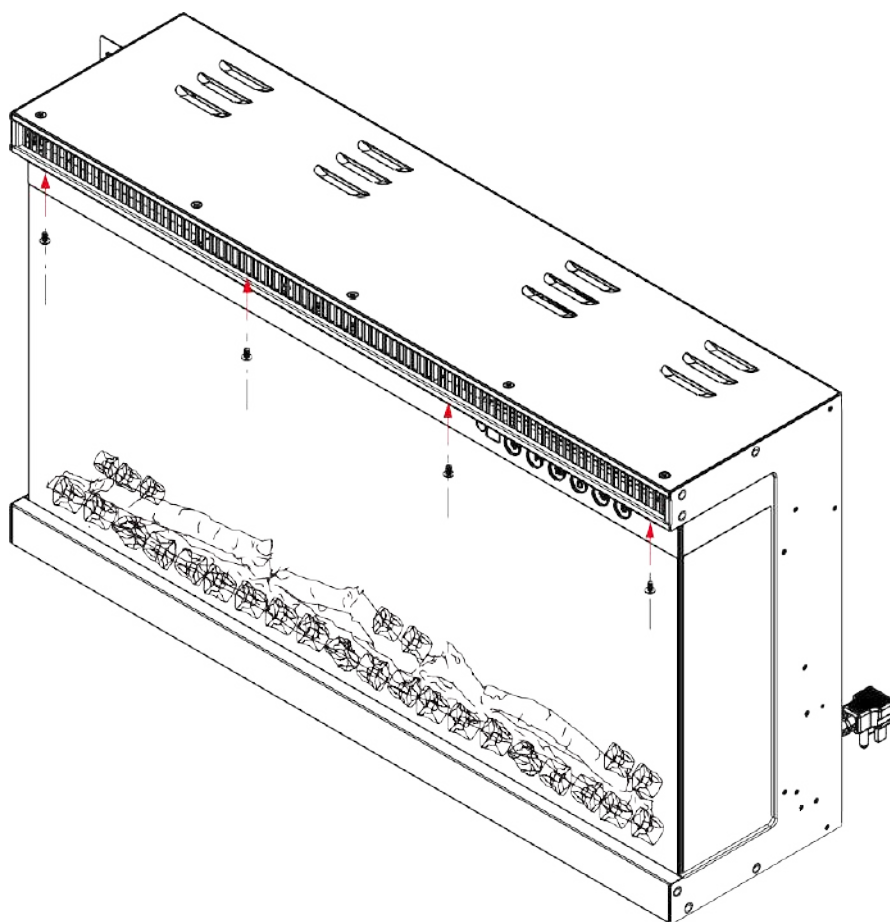
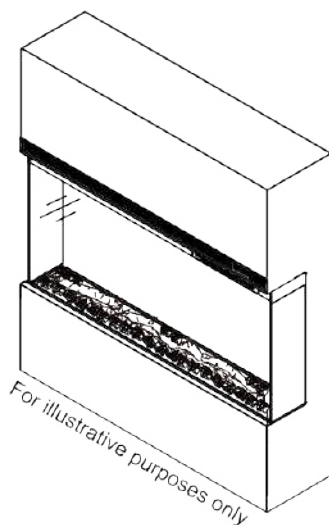


Fig7

Su aparato es capaz de tres configuraciones de instalación únicas: de tres lados, de dos lados y de un solo lado.

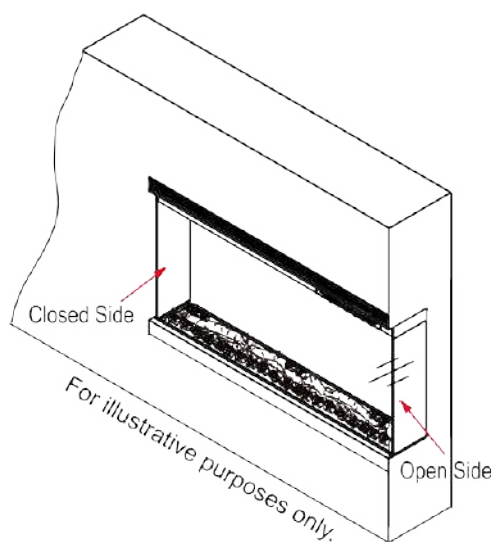
Instalación con visión por tres lados

El aparato está completamente empotrado en la pared con ambos lados abiertos:
Vistas frontal, izquierda y derecha.



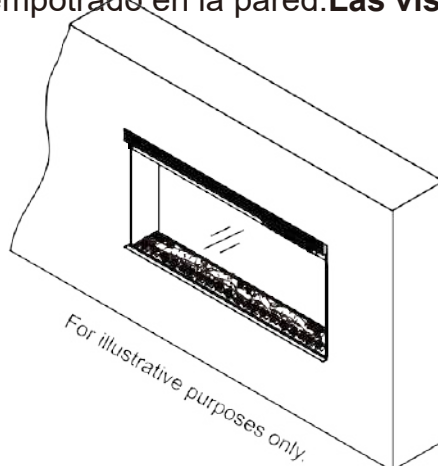
Instalación de dos lados

El aparato está completamente empotrado en la pared con un lado abierto:
Vista frontal y vista lateral izquierda/derecha, en función de los lados abiertos/cerrados deseados..



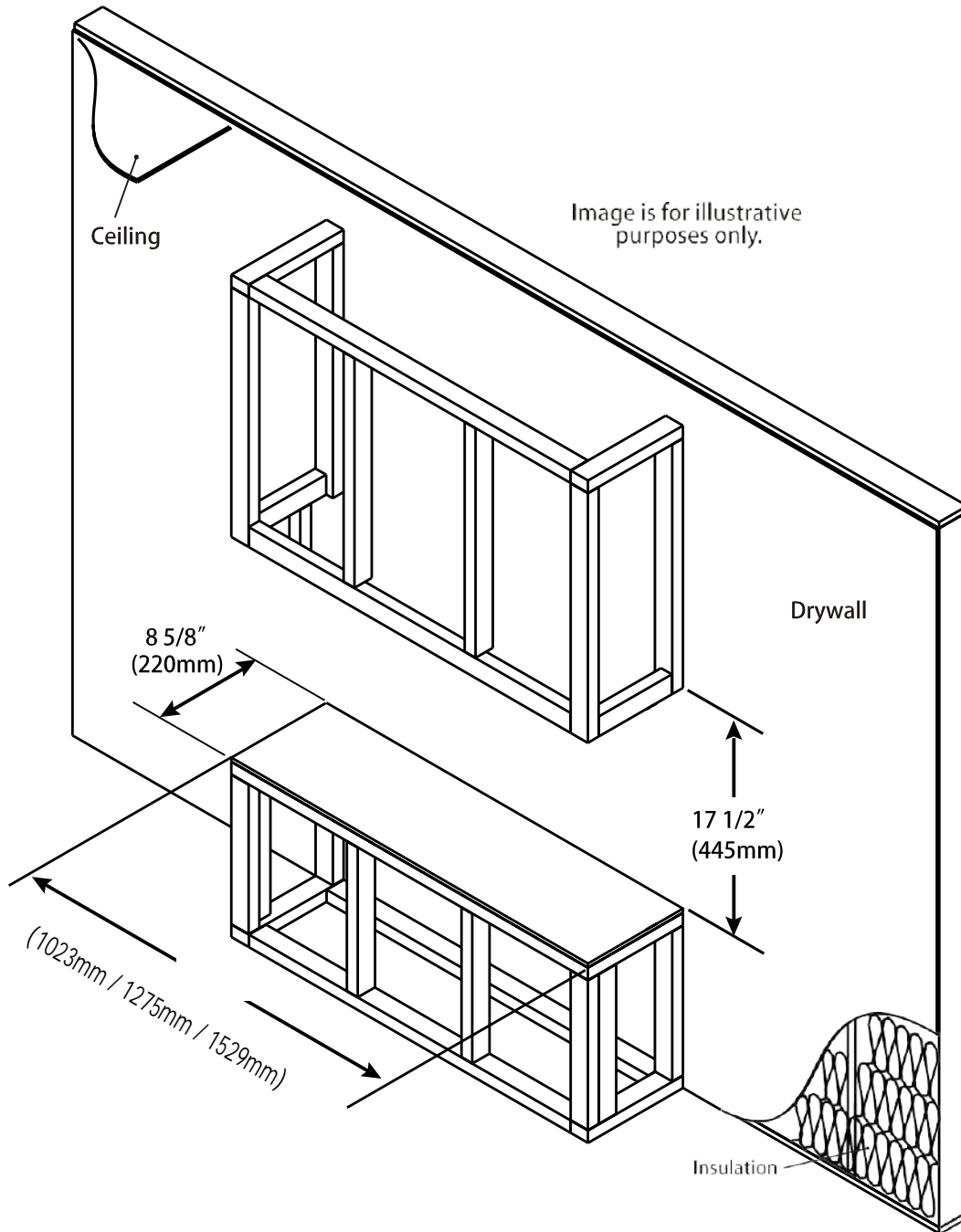
Instalación de un solo lado

El aparato está totalmente empotrado en la pared: **Las vistas laterales izquierda y derecha están cubiertas.**



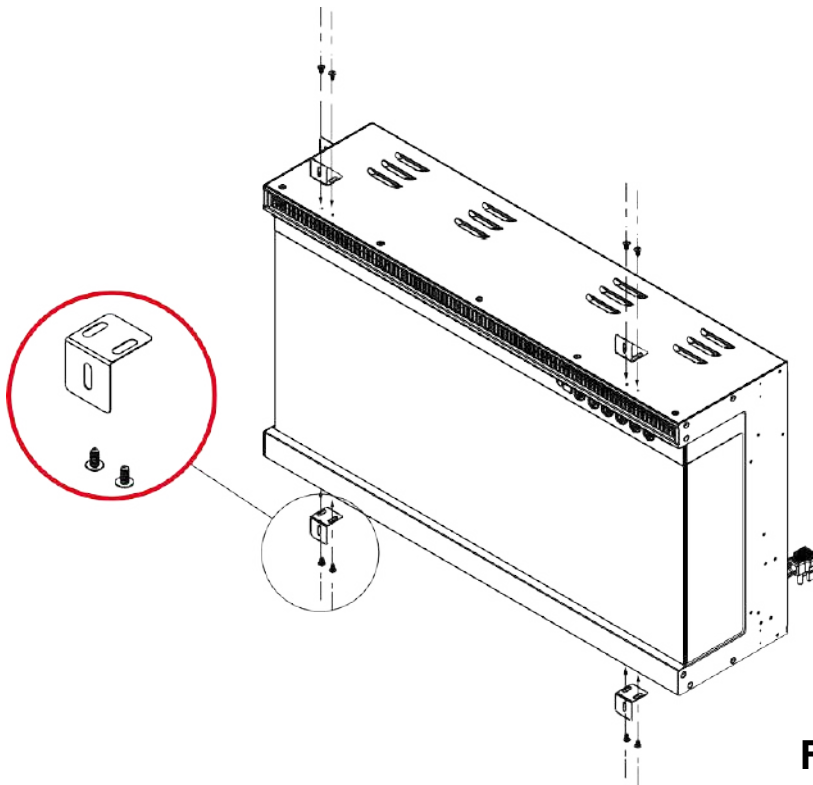
PRODUCT ASSEMBLY

INSTALACIÓN EMPOTRADA EN LA PARED (fijación desde la parte frontal)



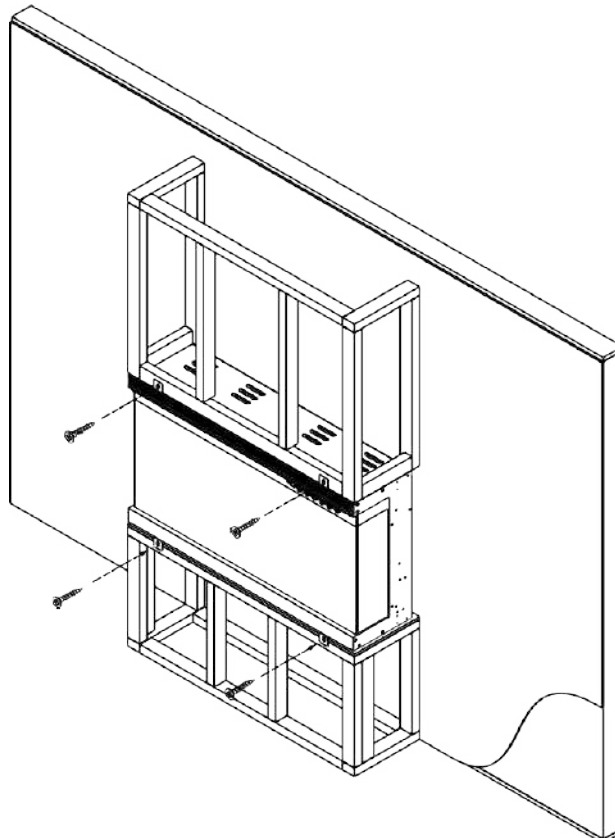
PRODUCT ASSEMBLY

Fije el soporte de fijación "D" al calefactor con dos tornillos de 8*10mm, ver Fig A.



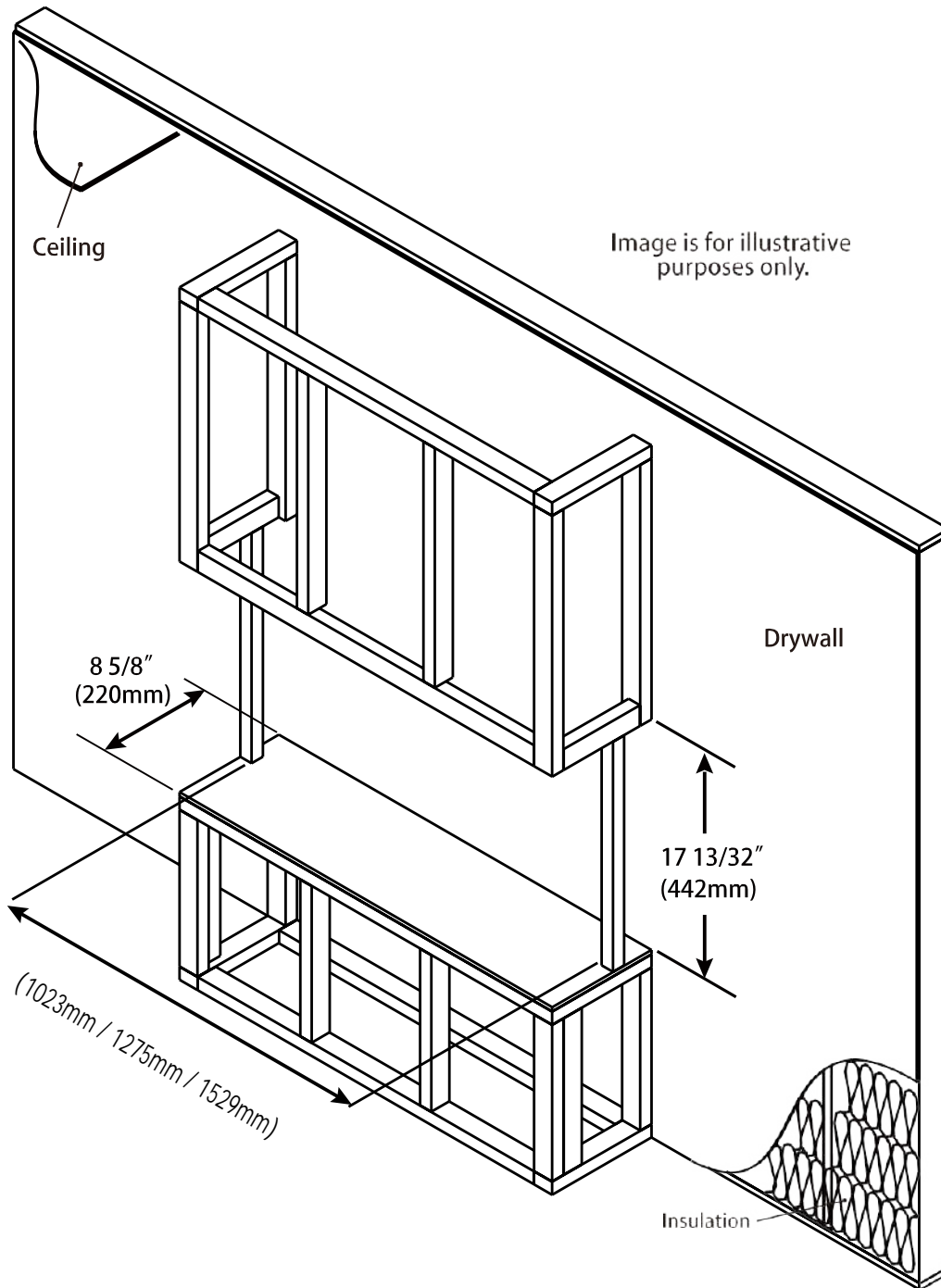
FigA

Coloque la chimenea en el agujero de la repisa. Utilice 4 tornillos "C" de 4x25mm para fijar el soporte en la parte delantera.



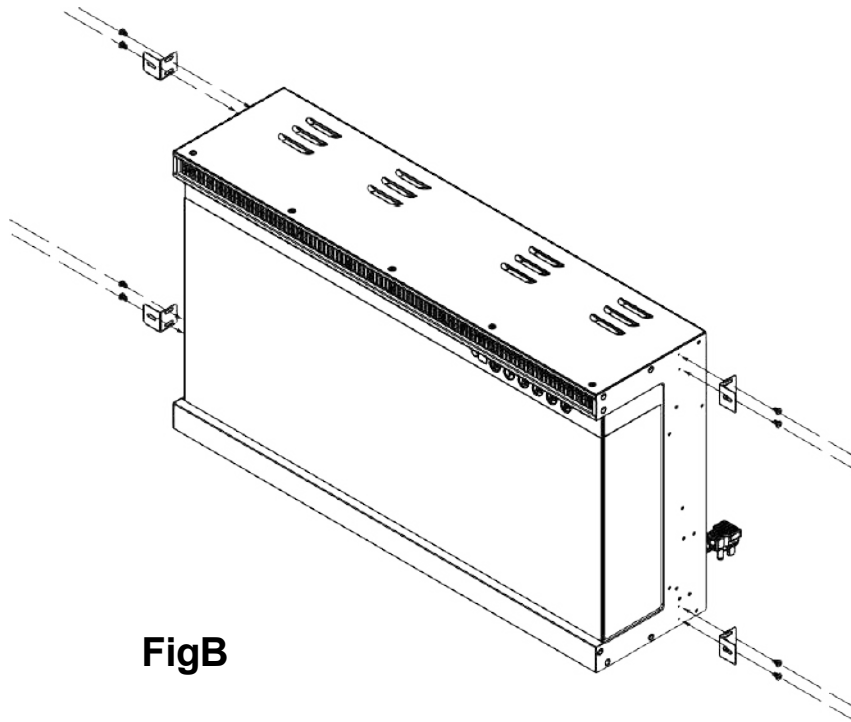
PRODUCT ASSEMBLY

INSTALACIÓN EMPOTRADA EN LA PARED (fijada a ambos lados)



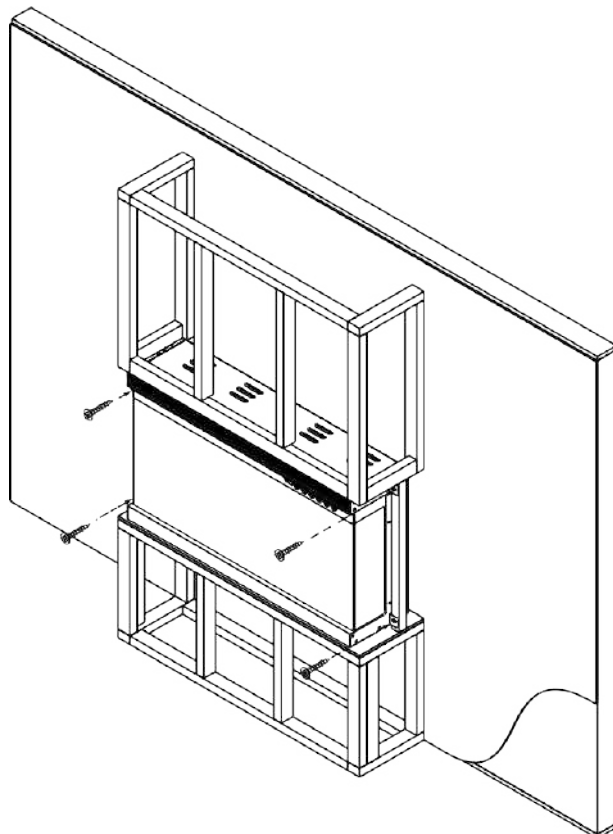
PRODUCT ASSEMBLY

Fije el soporte de fijación "D" a la estufa (a ambos lados) con dos tornillos de 8*10mm, ver Fig B .



FigB

Coloque la chimenea en el hueco de la repisa. Utilice 4 tornillos "C" de 4x25mm para fijar el soporte en la parte delantera.



ADVERTENCIA

APAGUE COMPLETAMENTE EL APARATO Y DEJE QUE SE ENFRÍE ANTES DE REPARARLO. SÓLO UN TÉCNICO CUALIFICADO DEBE REALIZAR EL MANTENIMIENTO Y LA REPARACIÓN DE ESTE APARATO ELÉCTRICO.

ADVERTENCIA

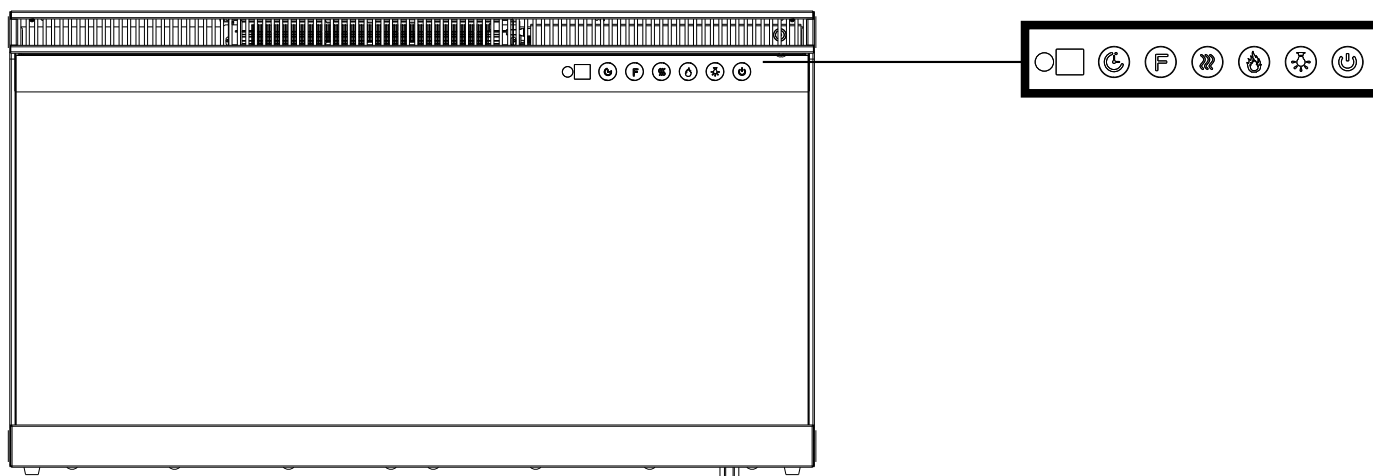
Lea y comprenda todo el manual del propietario, incluyendo toda la información de seguridad, antes de enchufar o utilizar este producto. Si no lo hace, podría provocar una descarga eléctrica, un incendio, lesiones graves o la muerte.

Potencia







Enchufe el cable de alimentación en una toma de corriente de 220 V de 7 amperios (en el Reino Unido/Europa) 110-120 V de 12 amperios (en Estados Unidos) (ver INFORMACIÓN DE SEGURIDAD IMPORTANTE en las páginas 2 y 3). Asegúrese de que que la toma de corriente esté en buen estado y que el enchufe no esté suelto. NUNCA supere el amperaje máximo para el circuito. NO enchufe otros aparatos en el mismo circuito.

Métodos de funcionamiento

- Esta chimenea eléctrica puede accionarse mediante los interruptores situados en la parte superior derecha del fuego o mediante el mando a distancia suministrado.



Panel táctil/Mando a distancia Funcionamiento

BOTÓN	FUNCIÓN	ACCIÓN&INDICACIÓN
 POWER	<p>ON: Activa las funciones del panel de control y el mando a distancia. Enciende el efecto de la llama.</p> <p>OFF: Desactiva las funciones del panel de control y del mando a distancia. Desactiva el efecto de la llama.</p>	<ol style="list-style-type: none"> 1. Pulse una vez. La luz indicadora se enciende. Se enciende la alimentación. Todas las funciones están activadas. 2. Pulsar de nuevo, apagar
 FLAME	<p>Botón de la llama:</p> <ol style="list-style-type: none"> 1. Hace que el efecto de la llama sea más tenue y brillante. 2. Cambiar el color de la llama (en el panel de control de la chimenea) 	<ol style="list-style-type: none"> 1. Pulse una vez. El efecto de brillo de la llama cambia. 2. Pulse de nuevo. Hasta alcanzar el ajuste deseado.
 CALENTADOR	<p>Botón HEATER: Enciende y apaga la calefacción.</p> <p>NOTA: Para evitar el sobrecalentamiento, el ventilador del calefactor expulsará aire frío durante 30 segundos después de que se apague el calefactor.</p>	<ol style="list-style-type: none"> 1. Pulse una vez. El indicador se ilumina y muestra "L". La calefacción baja se enciende y sopla aire caliente. 2. Pulse de nuevo. El indicador se ilumina y muestra "H". La calefacción alta se enciende y sopla aire caliente. 3. Pulse de nuevo. El indicador muestra "00". El ventilador sopla aire frío durante 30 segundos para permitir que el calentador se enfríe, y luego se apaga.
 TEMP.	<p>Botón de TEMPERATURA: Controla los ajustes de temperatura para elegir la temperatura deseada.</p> <p>Rango de ajuste de (62F a 82F / 17C a 27C).</p> <p>Pulsación larga para cambiar entre Celsius o Fahrenheit</p>	<ol style="list-style-type: none"> 1. Pulse una vez. La luz indicadora se enciende. La temperatura se ajusta a 62F/17C. 2. Pulse de nuevo hasta alcanzar el ajuste deseado. La pantalla LED muestra el ajuste.
 TEMPORIZADOR	<p>Botón del temporizador: Controla los ajustes del temporizador para apagar la chimenea a la hora seleccionada.</p> <p>Los ajustes van de 1 a 8 horas.</p>	<ol style="list-style-type: none"> 3. Pulse una vez. La luz indicadora se enciende. La temperatura se ajusta a las horas. Pulse de nuevo hasta alcanzar el ajuste deseado. La pantalla LED muestra el ajuste.
 COLOR	<p>Botón COLOR: Hace que el efecto de llama de color cambie.</p>	<ol style="list-style-type: none"> 1. Pulse una vez. El efecto del color de la llama cambia. 2. Pulse de nuevo hasta alcanzar el ajuste deseado.

AVISO

Cuando el calentador se enciende por primera vez, puede haber un ligero olor. Esto es normal y no debería ocurrir de nuevo a menos que el calentador no se utilice durante un largo período de tiempo.

AVISO

Para mejorar el funcionamiento, apunte el mando a distancia hacia la parte delantera de la chimenea. NO pulse los botones con demasiada rapidez. Déle tiempo a la unidad para que responda a cada orden.

Control de limitación de temperatura

Este calefactor está equipado con un control de limitación de temperatura. Si el calentador alcanza una temperatura insegura, el calentador se apagará automáticamente. Para restablecerlo:

1. Desenchufe el cable de alimentación de la toma de corriente.
2. Ponga el interruptor ON/OFF del PANEL DE CONTROL en OFF. Espere 5 minutos.
3. Inspeccione la chimenea para asegurarse de que ninguna de las rejillas de ventilación está bloqueada o atascada con polvo o pelusa. Si lo están, utilice una aspiradora para limpiar las zonas de ventilación.

4. Con el interruptor POWER en la posición OFF, vuelva a enchufar el cable de alimentación en la toma de corriente.

5. Si el problema continúa, haz que un profesional inspeccione la toma de corriente y el cableado.

Información sobre las pilas del mando a distancia

El mando a distancia requiere dos pilas AAA



NUNCA tire las pilas al fuego. El incumplimiento de esta precaución puede provocar una explosión. Deseche las baterías en el centro de procesamiento de materiales peligrosos de su localidad.

CUIDADO Y MANTENIMIENTO

Limpieza



Apague **SIEMPRE** la estufa y **desenchufe el cable de alimentación de la toma de corriente** antes de limpiar, realizar el mantenimiento o mover esta chimenea. Si no lo hace, podría provocar una **descarga eléctrica, un incendio o lesiones personales**.



NUNCA sumerja el aparato en agua ni lo rocíe con agua. Hacerlo podría provocar una **descarga eléctrica, un incendio o lesiones personales**.

De metal:

- Pulir con un paño suave, ligeramente humedecido con un producto a base de aceite de cítricos.
- **NO** utilice abrillantador de latón ni limpiadores domésticos, ya que estos productos dañan el embellecedor metálico.

El vidrio:

- Utilice un limpiacristales de buena calidad y séquelo bien con una toalla de papel o un paño sin pelusas.
- **NUNCA** utilice limpiadores abrasivos, sprays líquidos o cualquier limpiador que pueda rayar la superficie.

Ventilaciones:

- Utilice una aspiradora o un plumero para eliminar el polvo y la suciedad del calentador y de las zonas de ventilación.
- Limpie el exterior de la chimenea con un paño ligeramente húmedo o un plumero.

Mantenimiento



¡Riesgo de descarga eléctrica! ¡**NO ABRIR!** El interior no contiene piezas que puedan ser reparadas por el usuario.



Apague **SIEMPRE** la estufa y **desenchufe el cable de alimentación de la toma de corriente** antes de limpiar, realizar el mantenimiento o mover esta chimenea. Si no lo hace, podría provocar una **descarga eléctrica, un incendio o lesiones personales**.

Partes eléctricas y móviles:

- Los motores de los ventiladores vienen lubricados de fábrica y no requieren lubricación.
- Los componentes eléctricos están integrados en la chimenea y no pueden ser reparados por el consumidor.

Almacenamiento:

- Guarde el calentador en un lugar limpio y seco cuando no lo utilice.



ADVERTENCIA El consumidor no debe realizar ningún otro tipo de mantenimiento. No intente reparar la unidad usted mismo.

Solución de problemas



ADVERTENCIA

DESCONECTE EL APARATO COMPLETAMENTE Y DEJE QUE SE ENFRÍE ANTES DE CUALQUIER SERVICIO.

SÓLO UN TÉCNICO CUALIFICADO DEBE REALIZAR EL MANTENIMIENTO Y LA REPARACIÓN DE ESTE APARATO ELÉCTRICO.

Problema	Posible causa	Solución
1. La chimenea se apaga y no se enciende.	1. La chimenea se ha sobrecalentado y de seguridad ha provocado interruptor térmico para desconectar o el disyuntor de la casa se ha abierto.	1. Restablezca el interruptor desconectando la alimentación principal y esperando a volver a conectarla o con el disyuntor.
2. La llama no se mueve.	1. Cableado suelto. 2. Motor de la llama defectuoso. 3. Varilla de la llama fuera de lugar	1. Inspeccione el cableado para ver si hay conexiones sueltas. 2. Llame a un técnico cualificado para que sustituya el motor de la llama. 3. "Varilla de la llama" fuera de su sitio debido a un tránsito/manipulación brusca del producto. Este problema puede corregirse de forma tan sencilla como retirar el cristal, dar la vuelta a la chimenea, retirar un conjunto de tornillos que sujetan la placa del marco inferior y volver a colocar la varilla de la llama en su sitio.
3 La llama no es visible.	1. El cableado está suelto	1. Desconecte de la fuente de alimentación e inspeccione el cableado en busca de conexiones sueltas y repare o sustituya si es necesario. 2. Pulsar el botón de la llama en alto

4 El conjunto de troncos y/o el cristal no brillan.	<ol style="list-style-type: none"> 1. El cableado está suelto 2. El modo Ember está apagado 	<ol style="list-style-type: none"> 1. Desconecte de la fuente de alimentación e inspeccione el cableado en busca de conexiones sueltas y repare o sustituya si es necesario.
5 Mando a distancia no funciona.	<ol style="list-style-type: none"> 1. Baterías bajas. 2. No apuntar el control correctamente. 3. Mando a distancia y/o sensor defectuosos 	<ol style="list-style-type: none"> 1. Cambie las pilas del mando a distancia. 2. Apunte el control al sensor situado directamente detrás de la pantalla de cristal en el centro de la unidad, justo encima de los troncos. 3. Sustituya el mando a distancia y/o el sensor. 4. Puede ponerse en contacto con nuestro equipo de atención al cliente para obtener un mando de sustitución. Puede encontrarnos en mjy941218@hotmail.com

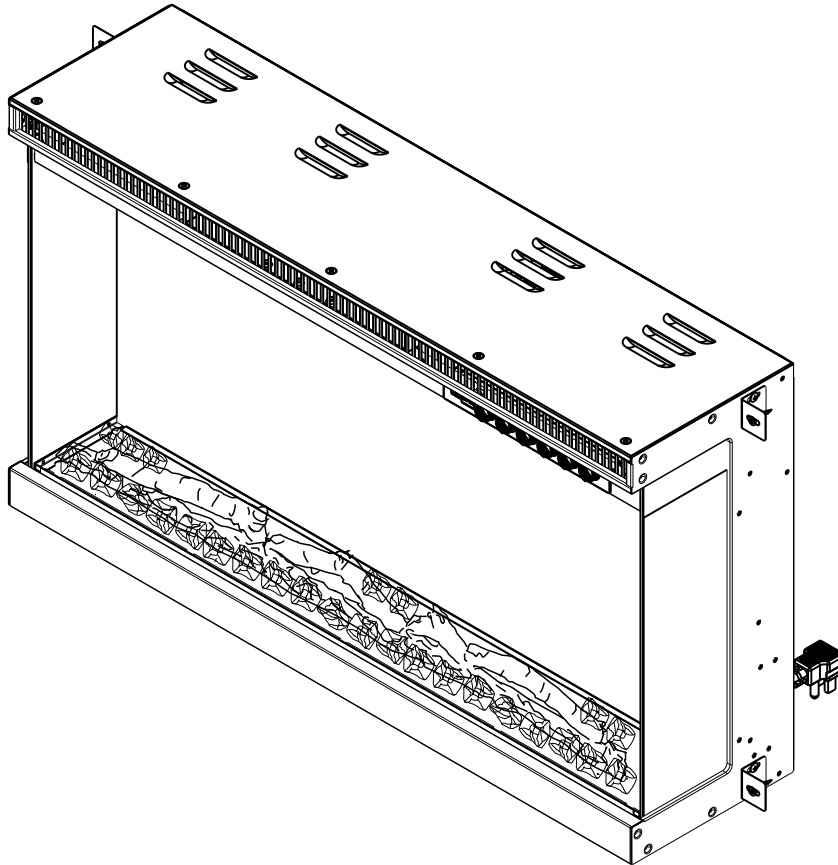
Gracias por comprar nuestra chimenea.

Si tiene alguna pregunta antes o después de la compra, no dude en ponerse en contacto con nosotros

Le responderemos en un plazo de 24 horas. Y nuestro equipo profesional de servicio técnico y de atención al cliente le ayudará a resolver sus problemas y le asegurará la mejor experiencia de compra. Gracias!

INSTRUCTION MANUAL

Electric Fireplace










NON RESTITUIRE!

Contattare il nostro servizio clienti per ricevere assistenza.



Indice dei contenuti

	IMPORTANTI INFORMAZIONI SULLA SICUREZZA	3
	PARTI E FERRAMENTA	5
	Specifiche e dimensioni	6
	Installazione e montaggio	7
	Metodi di funzionamento	16
	Risoluzione dei problemi	19
	Assistenza tecnica	20

Per la riparazione del caminetto rivolgersi sempre a un tecnico qualificato o a un'agenzia di assistenza.

! NOTA: Le procedure e le tecniche considerate abbastanza importanti da essere sottolineate.

! ATTENZIONE: procedure e tecniche che, se non vengono seguite con attenzione, possono causare danni all'apparecchiatura.

! AVVERTENZA: procedure e tecniche che, se non seguite con attenzione, espongono l'utente al rischio di incendio, lesioni gravi o morte.

IMPORTANTI INFORMAZIONI SULLA SICUREZZA!



ATTENZIONE



- **Leggere tutte le istruzioni prima di utilizzare questo riscaldatore!**
- Questo riscaldatore è caldo **quando è in funzione**. Per evitare ustioni, **NON** lasciare che la pelle nuda tocchi le superfici calde. Se previsto, utilizzare le maniglie per spostare il riscaldatore. Tenere i **materiali combustibili**, come mobili, cuscini, lenzuola, carta, vestiti e tende, ad almeno **0,9 m** dalla parte anteriore del **riscaldatore** e **lontano dai lati e dal retro**.
- È necessaria la **massima cautela** quando il riscaldatore viene utilizzato da o vicino a bambini o invalidi e quando viene lasciato **in funzione e incustodito**.
- **NON** mettere in funzione il riscaldatore con un **cavo o una spina danneggiati** o dopo che il **riscaldatore si è guastato**, è **caduto** o è stato **danneggiato in qualsiasi modo**; gettare il riscaldatore o restituirlo a un centro di assistenza autorizzato per l'esame e/o la riparazione.
- **NON** far passare il cavo di alimentazione sotto la moquette. **NON** coprire il cavo di alimentazione con tappeti, strisce o rivestimenti simili. **NON** far passare il cavo di alimentazione sotto i mobili o gli elettrodomestici. Sistemare il cavo di alimentazione lontano dalle **aree di traffico** e dove non si possa inciampare.



ATTENZIONE



- **Collegare SOLO a prese di corrente adeguatamente messe a terra.**
- **NON** inserire o lasciare che oggetti estranei **entrino nelle aperture di ventilazione o di scarico**, in quanto ciò potrebbe causare **scosse elettriche** o **incendi**, o **danneggiare il riscaldatore**.
- Per evitare un possibile incendio, **NON** bloccare in alcun modo le prese d'aria o gli scarichi. Ciò potrebbe causare un incendio. **NON** utilizzare su superfici morbide, come un letto, dove le aperture potrebbero bloccarsi.
- Un riscaldatore ha **al suo interno parti calde e che producono archi o scintille**. **NON** utilizzare il riscaldatore in aree in cui vengono utilizzati o conservati **benzina, vernici o liquidi infiammabili**.
- **Utilizzare il riscaldatore solo come descritto nel presente manuale. Qualsiasi altro uso non raccomandato dal produttore può causare incendi, scosse elettriche o lesioni alle persone.**
- **Collegare SEMPRE i riscaldatori direttamente a una presa a muro. Non utilizzare mai una prolunga o una presa di corrente mobile (presa/striscia elettrica).**
- **NON** posizionare il riscaldatore vicino a un letto perché oggetti come cuscini o coperte

possono cadere dal letto ed essere incendiati dal riscaldatore.

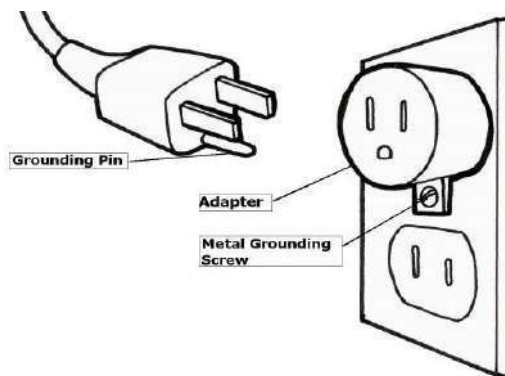
- **Non** utilizzare **MAI** questo riscaldatore in **bagni, lavanderie** o in qualsiasi altro luogo in cui il riscaldatore possa cadere in una **vasca da bagno** o in una **piscina, diventare umido o entrare in contatto con l'acqua**.
- **EVITARE GLI INCENDI!** Ispezionare regolarmente tutte le bocchette dell'aria per verificare che siano prive di polvere, lanugine o altro.

Blocco. **Scollegare l'unità** e pulire **SOLO** con un **aspirapolvere**. **NON** risciacquare o bagnare.

- Prima dell'uso, montare **SEMPRE** su un supporto a parete (o incassato a muro / o installare gambe libere). **NON** appoggiare sul pavimento o su altre superfici prima dell'uso.
- Non utilizzare **MAI** una staffa di montaggio a parete di un altro produttore.
- Questo prodotto **non è destinato a** essere una **fonte di calore primaria**. Serve **solo** a fornire **calore supplementare**.
- **Solo per uso interno! Non utilizzare MAI questo riscaldatore all'aperto! Ciò può provocare scosse elettriche!**
- **Rischio di scosse elettriche! NON APRIRE!** All'interno non ci sono parti riparabili dall'utente!
- Spegnerne **SEMPRE** il riscaldatore prima di scollegarlo dalla presa di corrente.
- **Scollegare SEMPRE** l'unità dall'alimentazione **elettrica prima di** eseguire qualsiasi operazione di montaggio o pulizia o prima di riposizionare il caminetto elettrico.
- **Non** lasciare **MAI** questo riscaldatore incustodito. Scollegare **SEMPRE** la spina del riscaldatore quando non viene utilizzato.
- Conservare **SEMPRE** questo riscaldatore in un luogo asciutto. Non utilizzare **MAI** il caminetto se è bagnato.
- **Non** collegare **MAI** questo riscaldatore a una presa **vecchia, incrinata** o con **fili o collegamenti allentati**. L'inserimento del riscaldatore in una presa difettosa può provocare un **arco elettrico** all'interno della presa stessa che potrebbe **surriscaldarsi o incendiarsi**.
- Controllare **SEMPRE** i collegamenti del cavo e della spina del riscaldatore ad **ogni utilizzo!**
 - i) **ASSICURARSI che** la spina sia ben inserita nella presa! Collegamenti difettosi alla presa a muro o spine allentate possono causare il surriscaldamento della presa.
 - ii) **I riscaldatori assorbono più corrente** dei piccoli elettrodomestici. Il **surriscaldamento** può verificarsi anche se non si è verificato con l'uso di altri apparecchi.
 - iii) Durante l'uso **controllare frequentemente** se la **presa di corrente o la piastra frontale** sono **calde!**

Se la presa o la piastra frontale sono **CALDE**, **interrompere immediatamente l'uso** e far ispezionare e/o sostituire le prese difettose da un elettricista qualificato.

- Il cavo di alimentazione fornito con il riscaldatore ha una spina con due lamelle piatte (tensione e neutro) e un perno rotondo (terra). Se non è disponibile una presa a 3 slot, è **necessario** utilizzare un adattatore. L'adattatore **DEVE** essere **collegato correttamente a terra** alla presa di corrente (vedi figura a destra). (Nota: l'adattatore non è incluso).



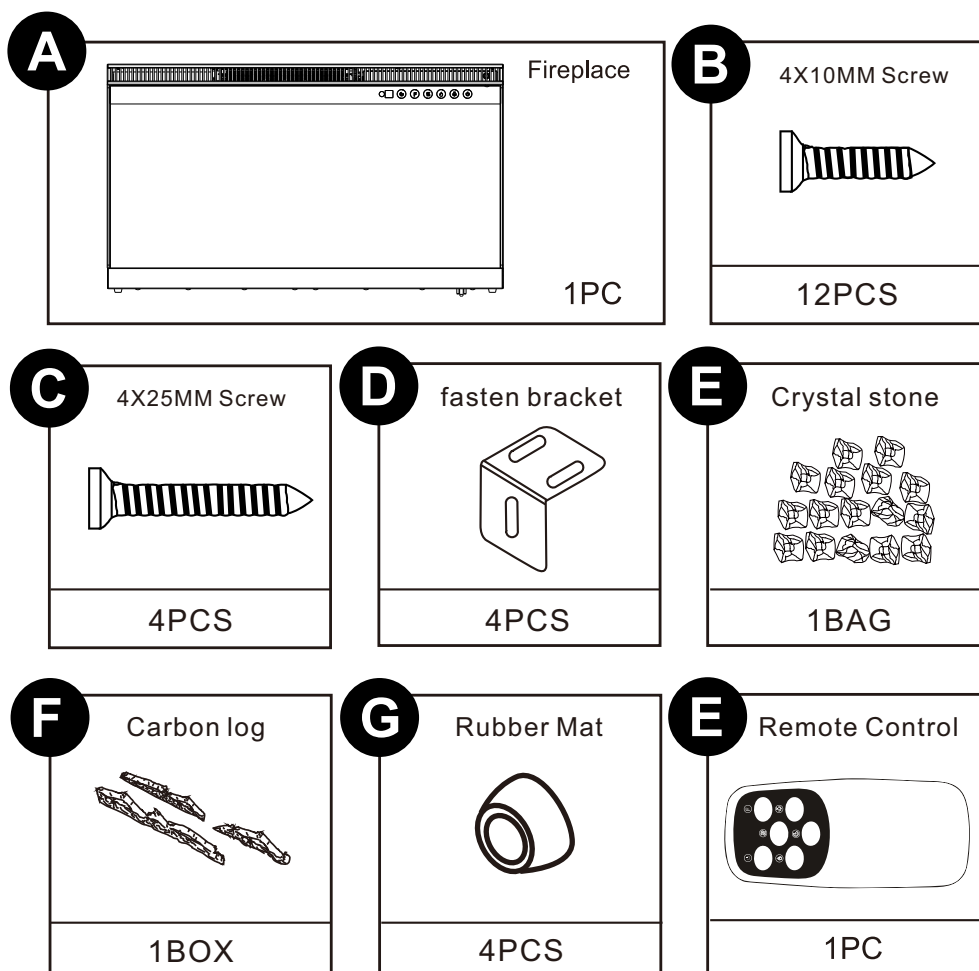
- **CONSERVATE QUESTE ISTRUZIONI!**

PREPARAZIONE

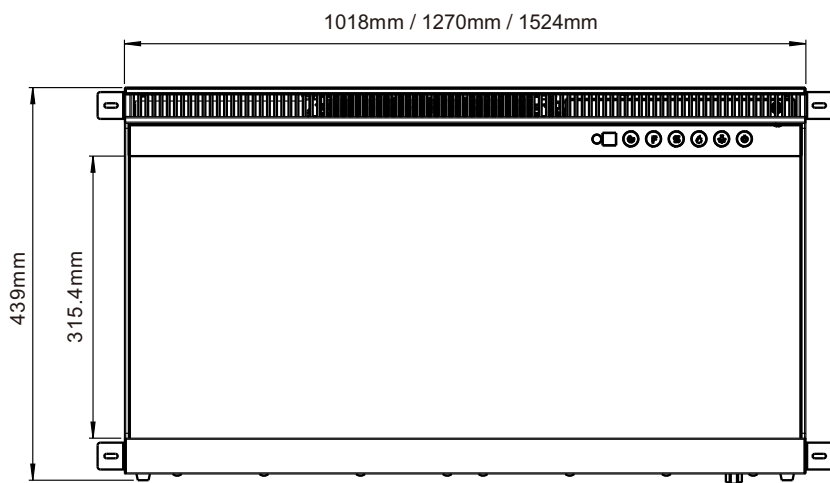


Questo prodotto include un **pannello di vetro!** Prestare sempre la **massima attenzione** quando si maneggia il **vetro**. In caso contrario, si potrebbero verificare **lesioni personali o danni alle cose**.

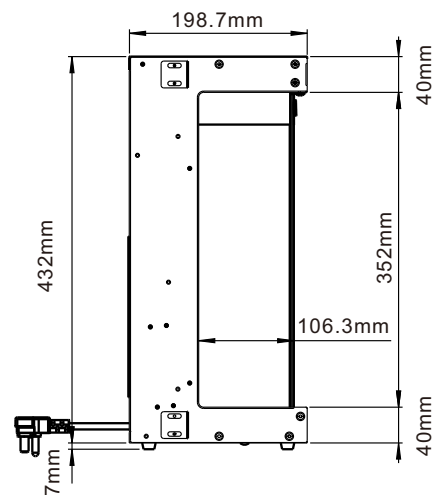
Rimuovere tutte le parti e la ferramenta dalla confezione e posizionarle su una superficie pulita, morbida e asciutta. Le parti e le fasi di montaggio sono messe a terra per l'uso a parete o a incasso. Controllare l'elenco dei componenti per verificare che non manchi nulla. Smaltire correttamente i materiali di imballaggio. Riciclare quando possibile. Sono necessari i seguenti strumenti (non inclusi): cacciavite a croce; cercatore di viti prigioniere; livella; metro a nastro; trapano elettrico; punta da 1/4" per legno, martello.



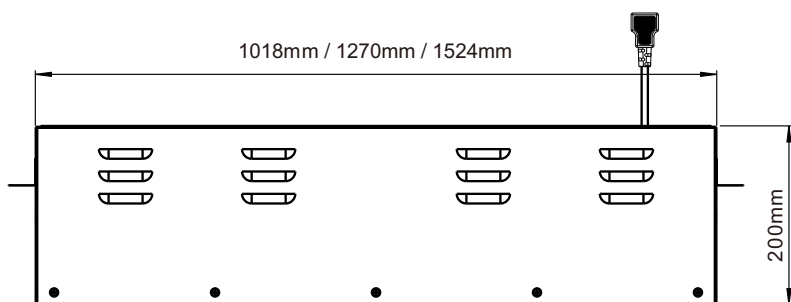
Specifiche e dimensioni



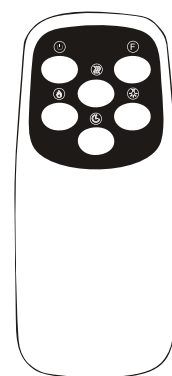
Front View



Side View



Top View



Remote Control

PRODUCT ASSEMBLY

INSTALLAZIONE INDIPENDENTE

1

Rimuovere le quattro viti nere dall'apparecchio, vedere la Fig.1.

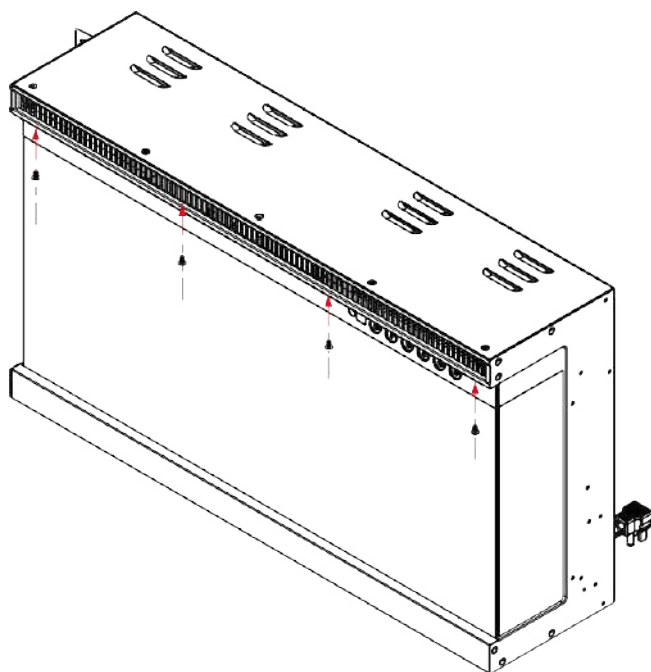


Fig1

2

Estrarre il vetro temperato anteriore dall'apparecchio. Vedere la Fig. 2

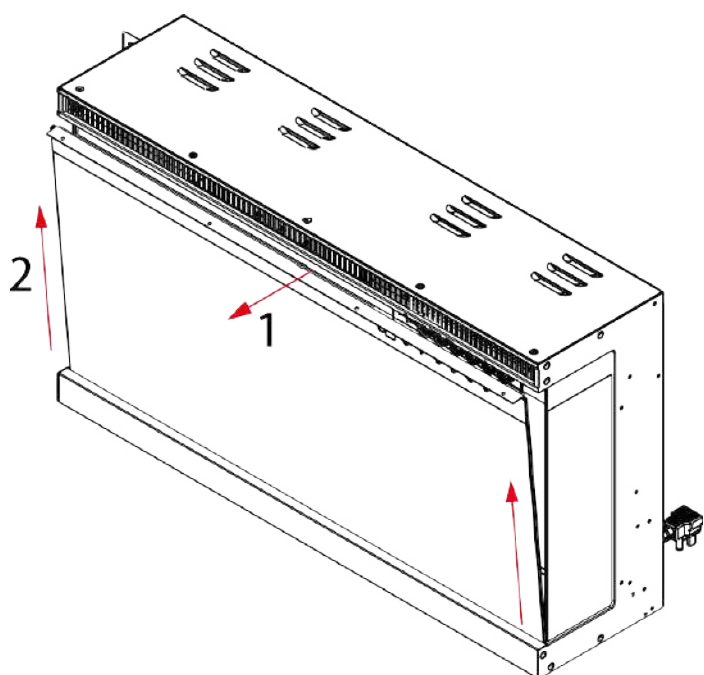


Fig2

PRODUCT ASSEMBLY

INSTALLAZIONE INDIPENDENTE

3

Estrarre la scatola di carbone dei tronchi dall'apparecchio, vedere la Fig. 3.

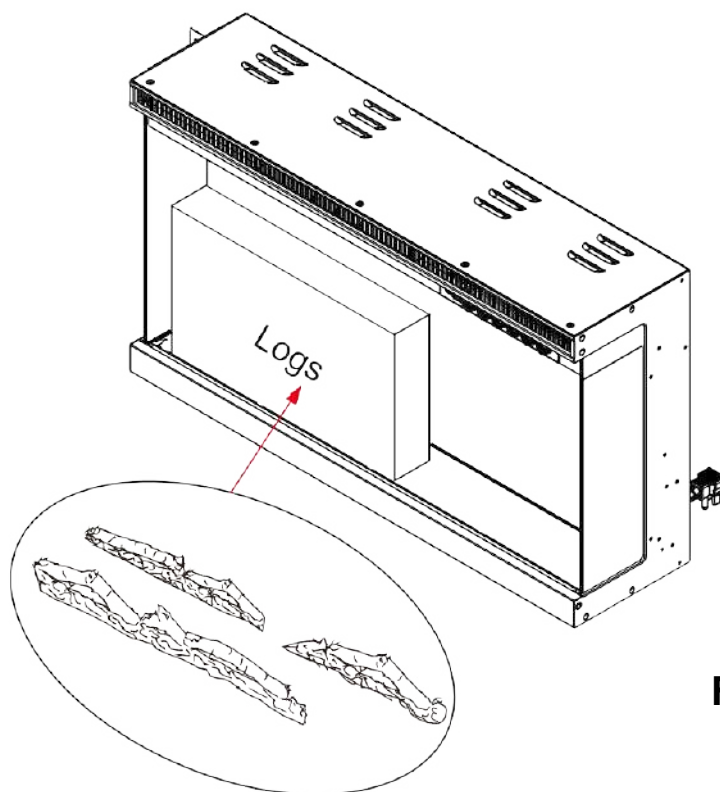


Fig3

4

Posare il riscaldatore sul pavimento o su un luogo morbido, installare i tappetini di gomma "G" con 4 viti "B" (4x10 mm) come indicato nella Fig.4.

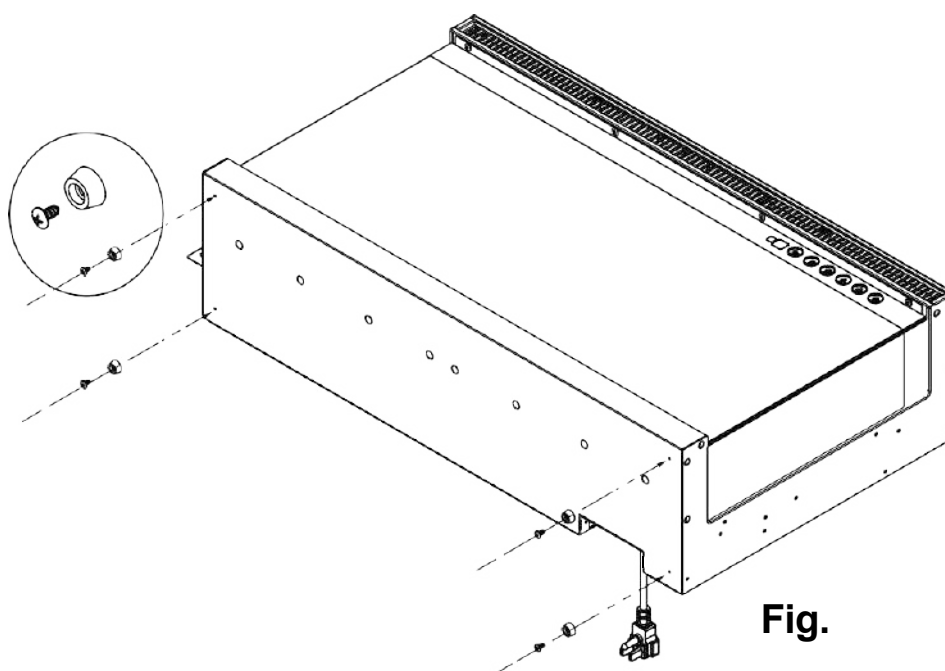


Fig.

PRODUCT ASSEMBLY

INSTALLAZIONE INDIPENDENTE

5

Posizionare la pietra di cristallo "E" e il tronco di carbonio "F" sul letto. vedi Fig.5.

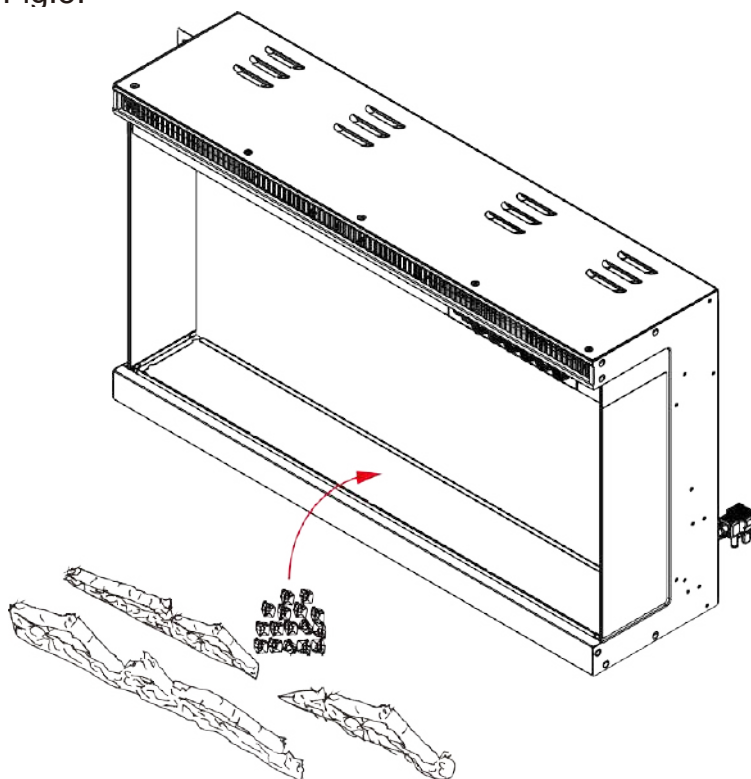


Fig. 5

6

Inserire e riposizionare il vetro temperato nella posizione originale, vedi Fig. 6.

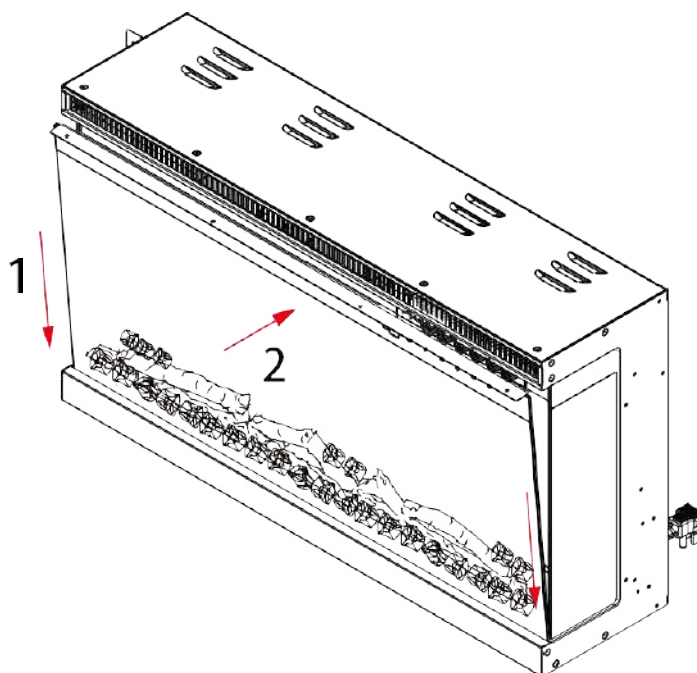


Fig6

PRODUCT ASSEMBLY

INSTALLAZIONE INDIPENDENTE

7

Utilizzare le viti originali da 4x8 mm per fissare il vetro temperato. vedi

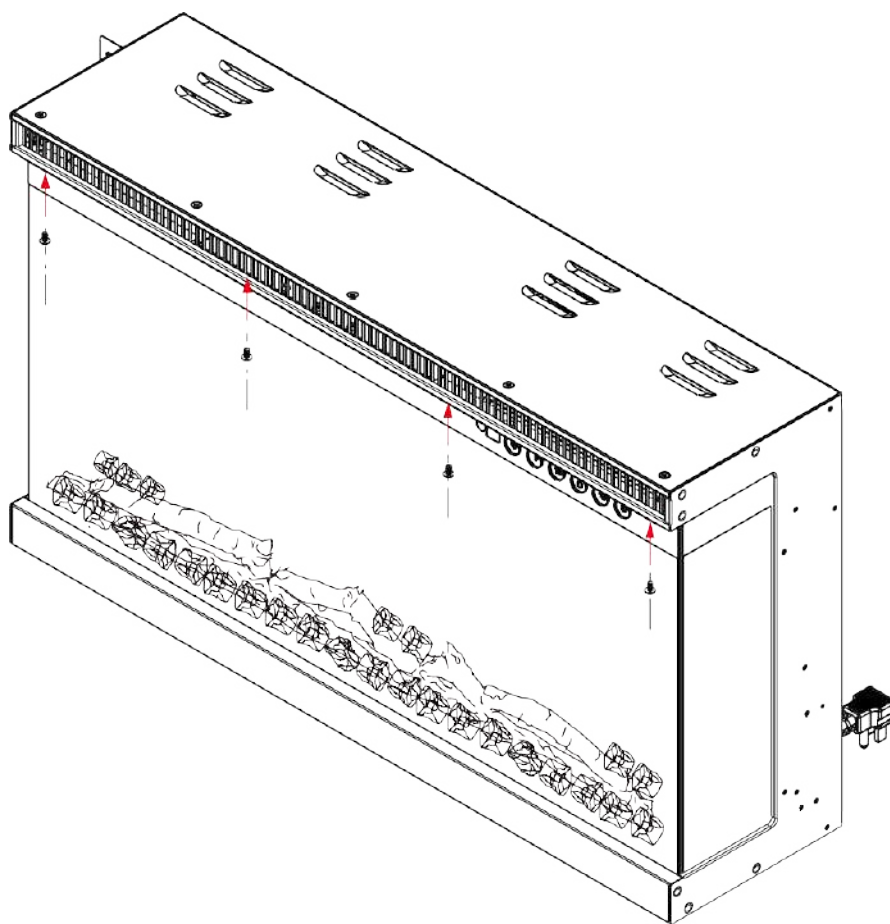
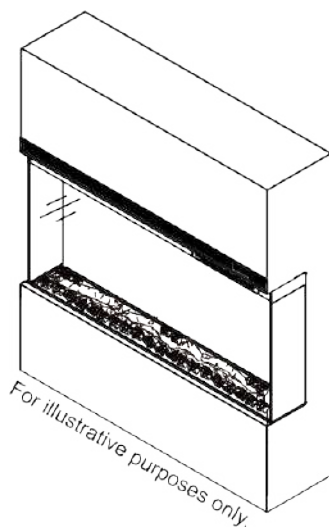


Fig. 7

L'apparecchio può essere installato in tre diverse configurazioni: su tre lati, su due lati e su un solo lato.

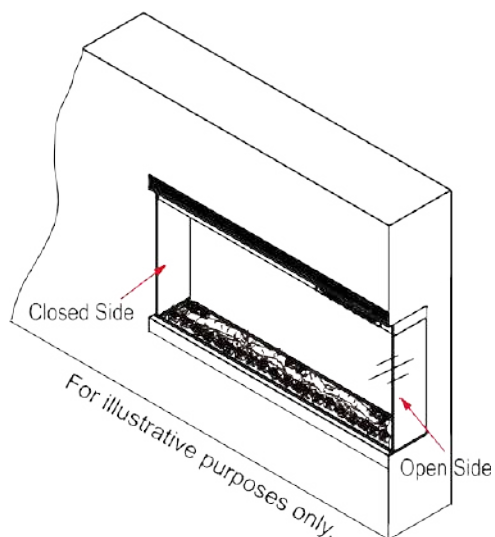
Installazione su tre lati

L'apparecchio è completamente incassato nella parete con entrambi i lati aperti:
Vista frontale, sinistra e destra.



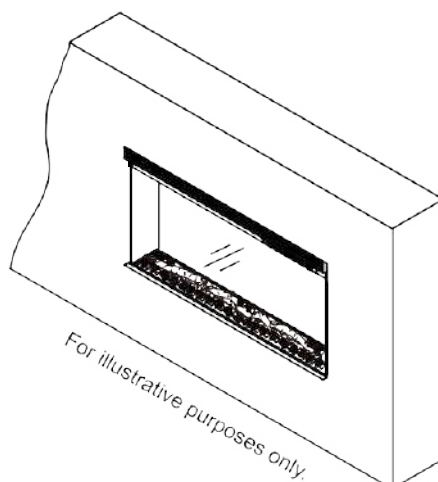
Installazione su due lati

L'apparecchio è completamente incassato nella parete con un lato aperto:
Vista frontale e vista laterale destra/sinistra, a seconda dei lati aperti/chiusi desiderati..



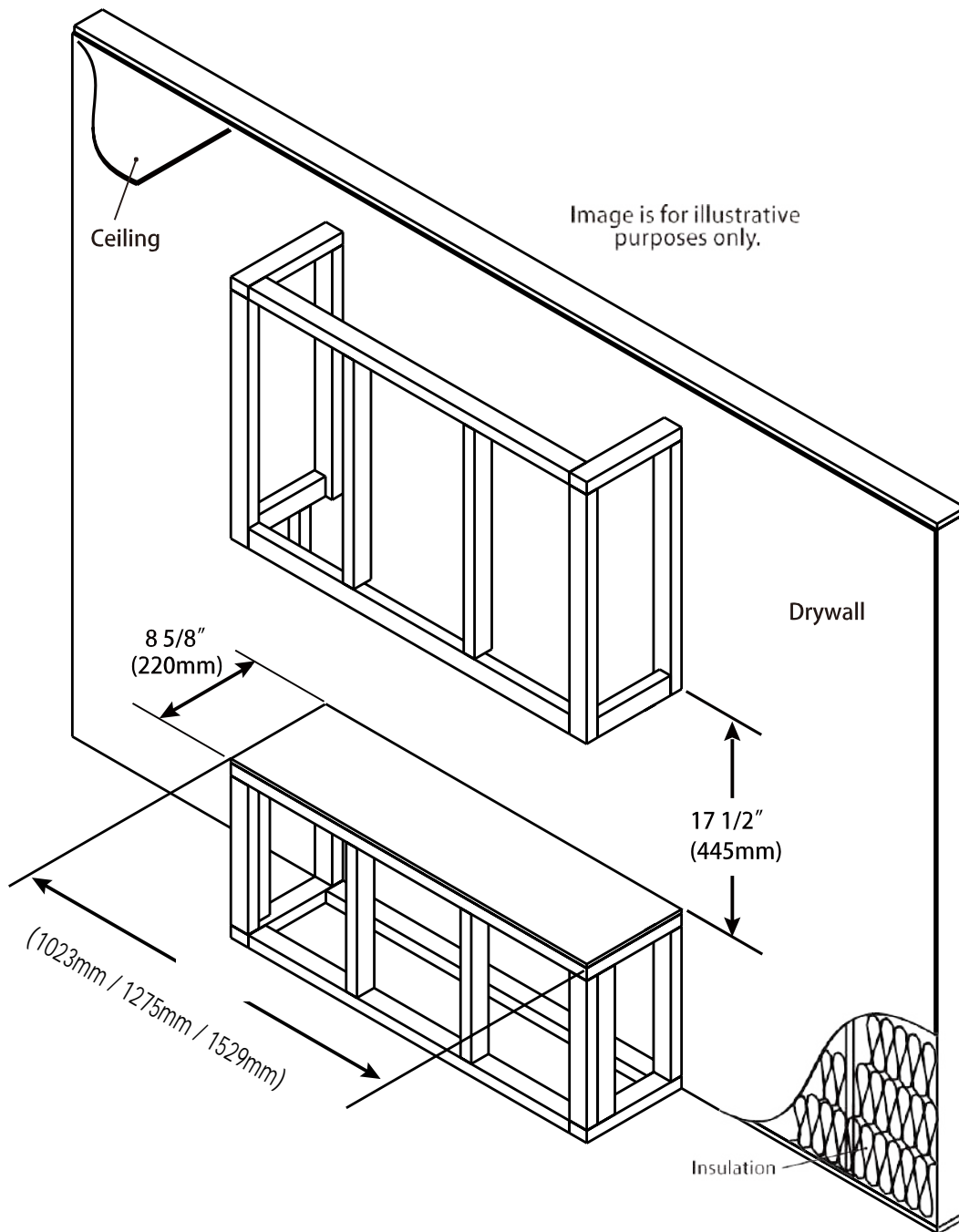
Installazione con visualizzazione su un solo lato

L'apparecchio è completamente incassato nella parete: **Le viste laterali destra e sinistra sono coperte.**



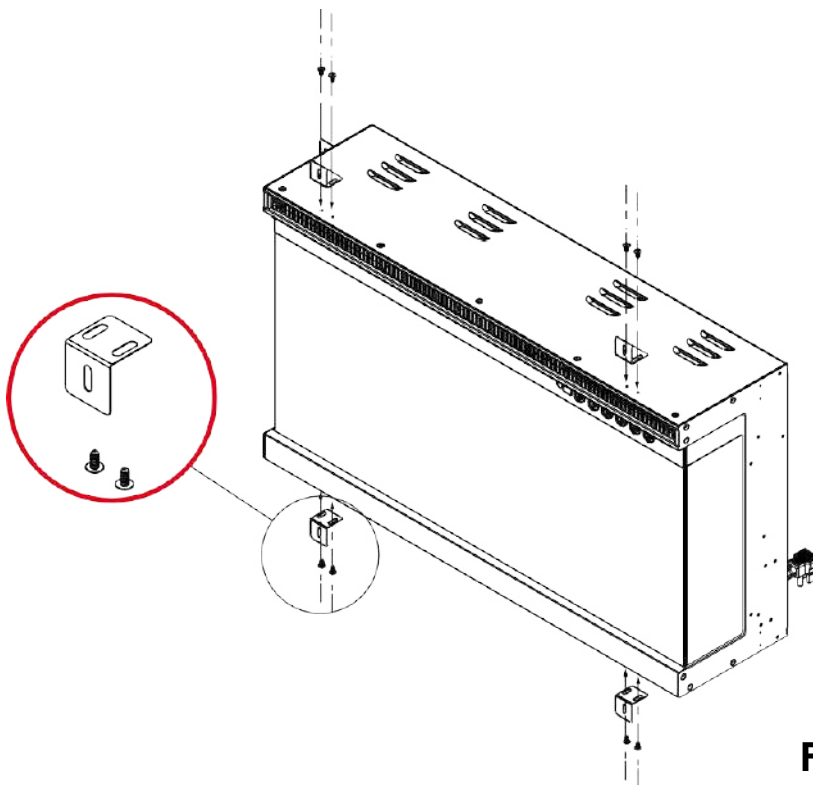
PRODUCT ASSEMBLY

INSTALLAZIONE INCASSATA A MURO (fissaggio dal davanti)



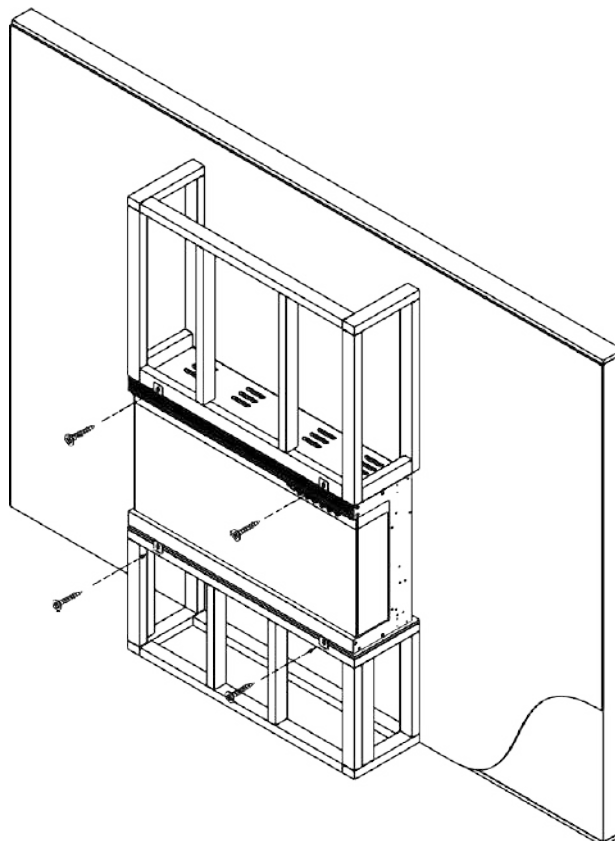
PRODUCT ASSEMBLY

Fissare la staffa di fissaggio "D" al riscaldatore con due viti da 8*10 mm, vedere la Figura A.



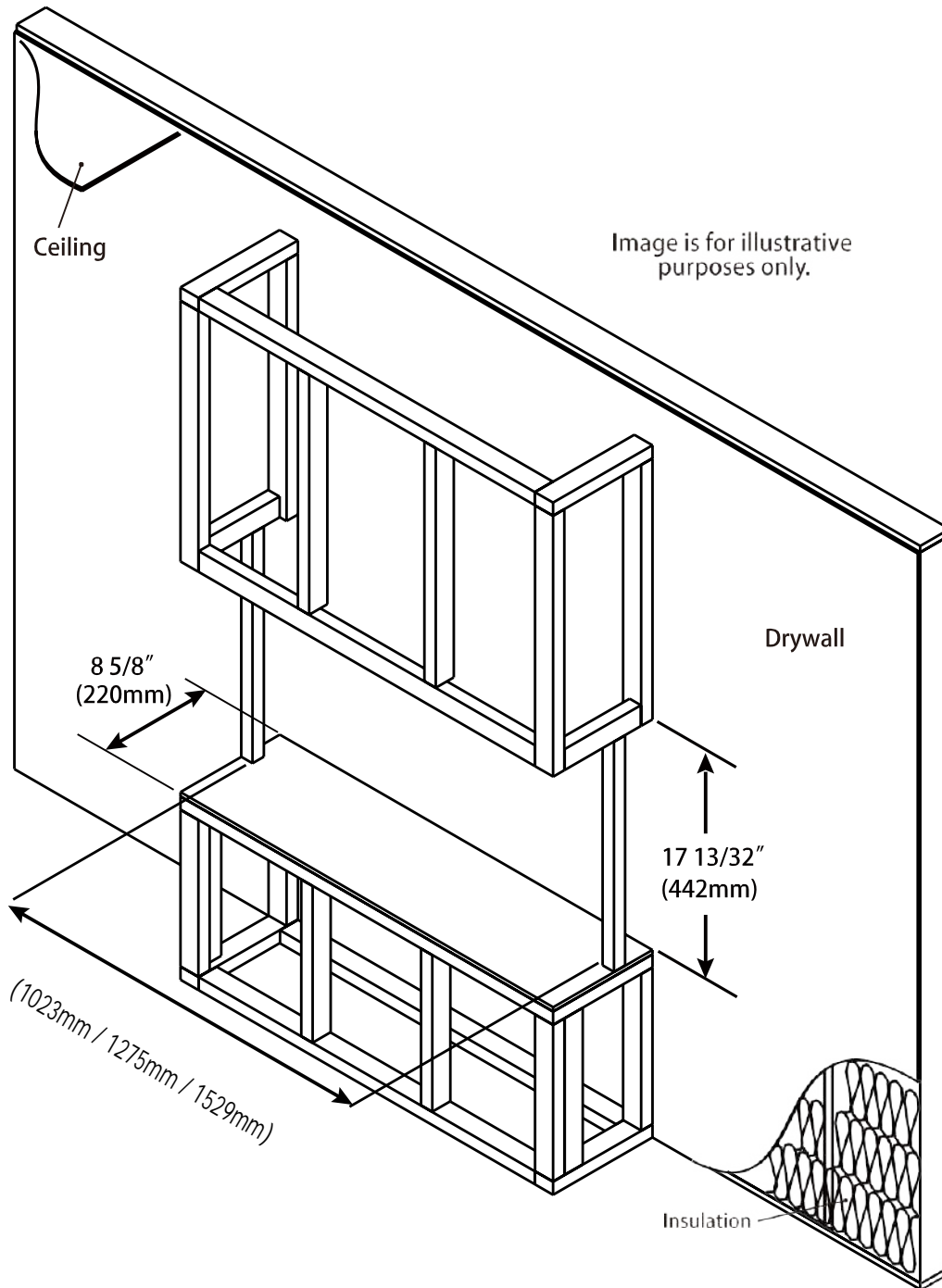
FigA

Inserire il caminetto nel foro del mantello. Utilizzare 4 viti 4x25 mm "C" per fissare la staffa nella parte anteriore.



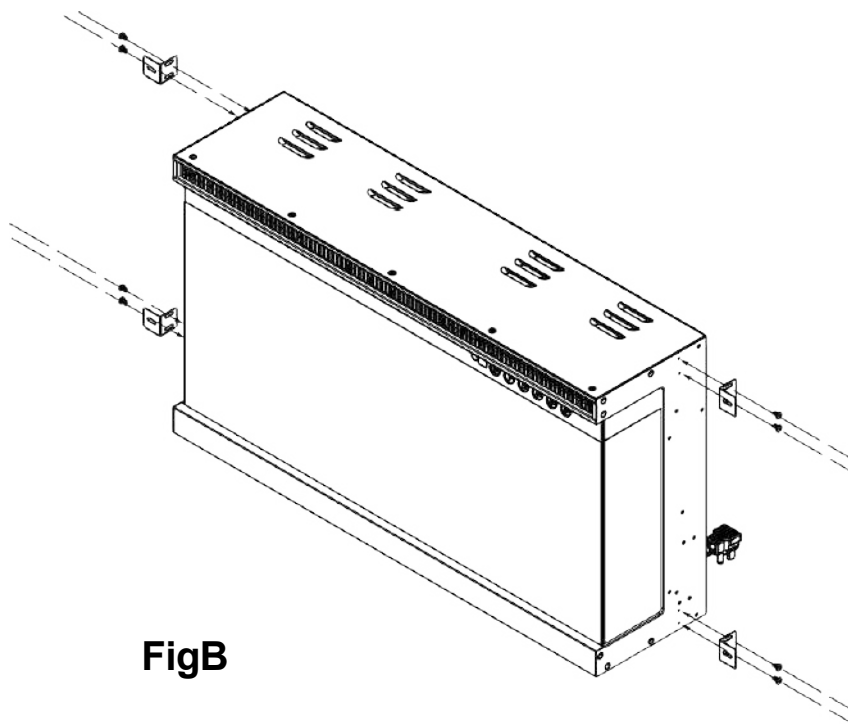
PRODUCT ASSEMBLY

INSTALLAZIONE A MURO (fissata su entrambi i lati)



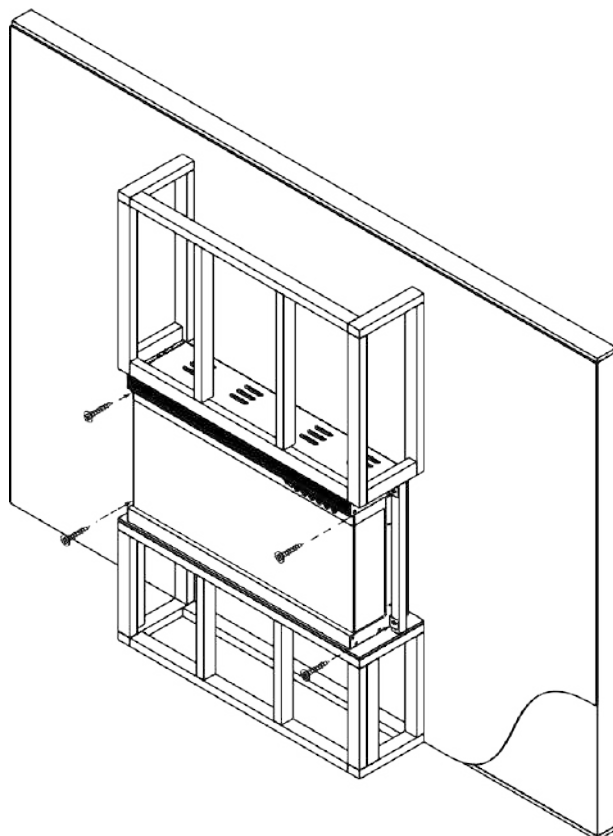
PRODUCT ASSEMBLY

Fissare la staffa di fissaggio "D" al riscaldatore (su entrambi i lati) con due viti da 8*10 mm, vedi fig. B..



FigB

Inserire il caminetto nel foro del mantello. Utilizzare 4 viti 4x25 mm "C" per fissare la staffa sul lato anteriore.



ATTENZIONE

SPEGNERE COMPLETAMENTE L'APPARECCHIO E LASCIARLO RAFFREDDARE PRIMA DI PROCEDERE ALLA MANUTENZIONE. LA MANUTENZIONE E LA RIPARAZIONE DI QUESTO APPARECCHIO ELETTRICO DEVONO ESSERE EFFETTUATE SOLO DA PERSONALE QUALIFICATO.

ATTENZIONE

Prima di collegare o utilizzare il prodotto, leggere e comprendere l'intero manuale d'uso, comprese le informazioni sulla sicurezza. In caso contrario, potrebbero verificarsi scosse elettriche, incendi, lesioni gravi o morte.

Potenza

Collegare il cavo di alimentazione a una presa 220V Volt 7 Amp (Regno Unito/Europa) 110-120V Volt 12 Amp (Regno Unito/Europa).

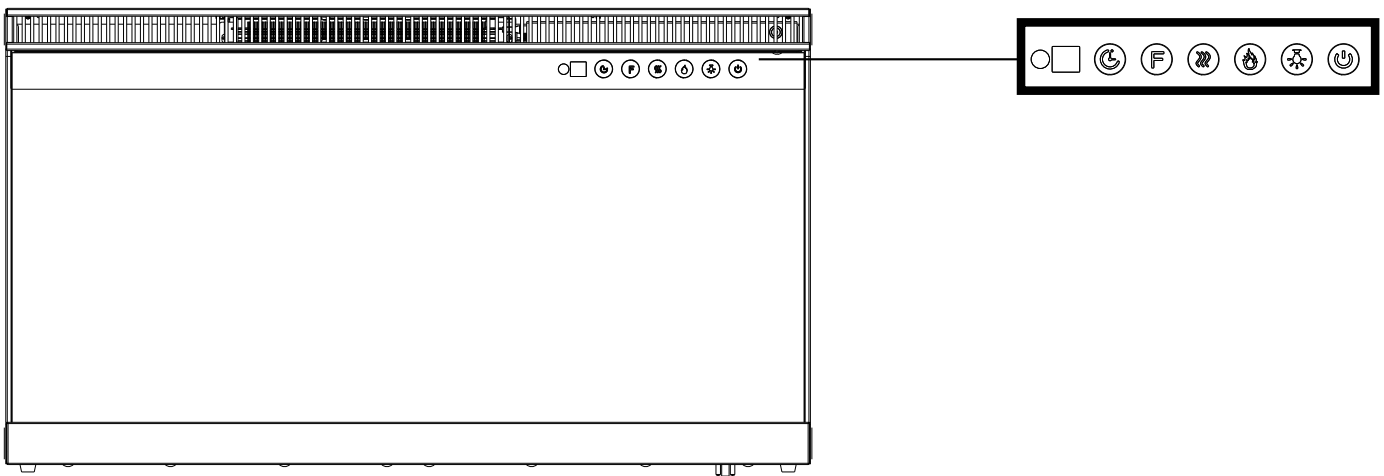
Stati Uniti) (vedere le INFORMAZIONI IMPORTANTI SULLA SICUREZZA a pagina 2 e 3).

che la presa sia in buone condizioni e che la spina non sia allentata. MAI superare l'ampereaggio massimo







per il circuito. NON collegare altri apparecchi allo stesso circuito.

Metodi di funzionamento

- Questo caminetto elettrico può essere azionato dagli interruttori situati sul lato superiore destro del fuoco o dal telecomando in dotazione.



Pannello a sfioramento/telecomando Funzionamento

PULSANTE	FUNZIONE	AZIONE&INDICAZIONE
 POTENZA	ON: Attiva le funzioni del pannello di controllo e del telecomando. Attiva l'effetto fiamma. OFF: Disattiva le funzioni del pannello di controllo e del telecomando. Disattiva l'effetto fiamma.	1. Premere una volta. L'indicatore luminoso si accende. L'alimentazione si accende. Tutte le funzioni sono abilitate. 2. Premendo di nuovo, l'alimentazione si spegne
 FIAMMA	Pulsante FLAME: 1. Rende l'effetto fiamma più debole e più luminoso. 2. Cambiare il colore della fiamma (sul pannello di controllo del caminetto)	1. Premere una volta. L'effetto di luminosità della fiamma cambia. 2. Premere nuovamente. Fino a raggiungere l'impostazione desiderata.
 RISCALDATORE	Pulsante RISCALDAMENTO: accende e spegne il riscaldamento. NOTA: Per evitare il surriscaldamento, la ventola del riscaldatore emette aria fredda per 30 secondi dopo lo spegnimento del riscaldatore.	1. Premere una volta. L'indicatore si accende e mostra "L". Il riscaldatore basso si accende e soffia aria calda. 2. Premere nuovamente. L'indicatore si accende e mostra "H". Il riscaldatore alto si accende e soffia aria calda. 3. Premere di nuovo. L'indicatore mostra "00". La ventola soffia aria fredda per 30 secondi per consentire al riscaldatore di raffreddarsi, quindi si spegne.
 TEMP.	Pulsante TEMPERATURA: Controlla le impostazioni della temperatura per scegliere la temperatura desiderata. Campo di regolazione da (62F a 82F / 17C a 27C). Premere a lungo per passare da Celsius a Fahrenheit.	1. Premere una volta. L'indicatore luminoso si accende. La temperatura è impostata su 62F/17C. 2. Premere nuovamente fino a raggiungere l'impostazione desiderata. Il display LED visualizza l'impostazione.
 TIMER	Pulsante TIMER: Controlla le impostazioni del timer per spegnere il caminetto all'ora selezionata. Le impostazioni vanno da 1 ora a 8 ore.	3. Premere una volta. L'indicatore luminoso si accende. La temperatura è impostata su ore. Premere nuovamente fino a raggiungere l'impostazione desiderata. Il display a LED visualizza l'impostazione.
 COLORE	Pulsante COLORE: Fa cambiare l'effetto fiamma del colore.	1. Premere una volta. L'effetto del colore della fiamma cambia. 2. Premere nuovamente fino a raggiungere l'impostazione desiderata.

AVVISO

Quando il riscaldatore viene acceso per la prima volta, può essere presente un leggero odore. Questo fenomeno è normale e non dovrebbe ripetersi, a meno che il riscaldatore non venga utilizzato per un lungo periodo di tempo.

AVVISO

Per migliorare il funzionamento, puntare il telecomando verso la parte anteriore del caminetto. NON premere i pulsanti troppo velocemente, ma lasciare all'unità il tempo di rispondere a ogni comando.

Controllo di limitazione della temperatura

Questo riscaldatore è dotato di un controllo di limitazione della temperatura. Se il riscaldatore raggiunge una temperatura non sicura, si spegne automaticamente. Per ripristinare:

1. Scollegare il cavo di alimentazione dalla presa di corrente.

2. Portare l'interruttore ON/OFF del PANNELLO DI CONTROLLO su OFF. Attendere 5 minuti.
3. Ispezionare il caminetto per verificare che non vi siano bocchette bloccate o intasate da polvere o lanugine. In caso affermativo, utilizzare un aspirapolvere per pulire le aree di ventilazione.
4. Con l'interruttore POWER in posizione OFF, ricollegare il cavo di alimentazione alla presa di corrente.
5. Se il problema persiste, fate controllare la presa e il cablaggio da un professionista.

Informazioni sulla batteria del telecomando

Il telecomando richiede due batterie AAA



Non gettare **MAI** le batterie nel fuoco. La mancata osservanza di questa precauzione può provocare un'esplosione.

Smaltire le batterie presso il centro di trattamento dei materiali pericolosi locale.

CURA E MANUTENZIONE

Pulizia



Spegnere SEMPRE il riscaldatore e **scollegare il cavo di alimentazione dalla presa di corrente** prima di pulire, eseguire la manutenzione o spostare il caminetto. In caso contrario, potrebbero verificarsi **scosse elettriche, incendi o lesioni personali**.



Non immergere MAI in acqua o spruzzare acqua. Ciò potrebbe causare **scosse elettriche, incendi o lesioni personali**.

Metallo:

- Lucidare con un panno morbido, leggermente inumidito con un prodotto a base di olio di agrumi.
- **NON** utilizzare lucidanti per ottone o detersivi per la casa, poiché questi prodotti danneggiano le finiture metalliche.

Vetro:

- Utilizzare un detersivo per vetri di buona qualità e asciugare accuratamente con un panno di carta o un panno che non lasci residui.
- **Non** utilizzare **MAI** detersivi abrasivi, spray liquidi o qualsiasi altro detersivo che possa graffiare la superficie.

Bocchette:

- Utilizzare un aspirapolvere o uno spolverino per rimuovere la polvere e la sporcizia dalle aree del riscaldatore e dello sfiato.
- Pulire l'esterno del caminetto con un panno o uno spolverino leggermente umido.

Manutenzione



Rischio di scosse elettriche! NON APRIRE! All'interno non ci sono parti riparabili dall'utente!



Spegnere SEMPRE il riscaldatore e scollegare il cavo di alimentazione dalla presa di corrente prima di pulire, eseguire la manutenzione o spostare il caminetto. In caso contrario, potrebbero verificarsi scosse elettriche, incendi o lesioni personali.

Parti elettriche e mobili:

- I motori dei ventilatori sono lubrificati in fabbrica e non necessitano di lubrificazione.
- I componenti elettrici sono integrati nel caminetto e non sono riparabili dall'utente.

Stoccaggio:

- Conservare il riscaldatore in un luogo pulito e asciutto quando non viene utilizzato.



ATTENZIONE! L'utente non deve eseguire altri interventi di manutenzione. Non tentare di riparare l'unità da soli.

Risoluzione dei problemi



ATTENZIONE

SCOLLEGARE COMPLETAMENTE L'APPARECCHIO E LASCIARLO RAFFREDDARE PRIMA DI QUALSIASI INTERVENTO.

LA MANUTENZIONE E LA RIPARAZIONE DI QUESTO APPLAUSO ELETTRICO DEVONO ESSERE ESEGUITE SOLO DA PERSONALE QUALIFICATO.

Problema	Possibile causa	Soluzione
1. Il caminetto si spegne e non si accende.	1. Il caminetto si è surriscaldato e di sicurezza ha causato interruttore termico per scollegare o l'interruttore di casa si è aperto.	1. Ripristinare l'interruttore spegnendo e riaccendendo l'alimentazione principale o interrompendo il circuito.
2. La fiamma non si muove.	1. Cablaggio allentato. 2. Motore della fiamma difettoso. 3. Asta della fiamma fuori posto	1. Ispezionare il cablaggio per verificare che non vi siano collegamenti allentati. 2. Chiamare un tecnico qualificato per sostituire il motore a fiamma. 3. "L'asta della fiamma è fuori posto a causa di un trasporto/manipolazione approssimativa del prodotto. Per risolvere questo problema è sufficiente rimuovere il vetro, capovolgere il caminetto, rimuovere una serie di viti che tengono la piastra del telaio inferiore e riposizionare l'asta della fiamma.
3 La fiamma non è visibile.	1. Il cablaggio è allentato	1. Scollegare dalla fonte di alimentazione e ispezionare il cablaggio per verificare che non vi

		siano collegamenti allentati e, se necessario, ripararlo o sostituirlo. 2. Spingere il pulsante della fiamma su alto
4 Il set di registri e/o il cristallo non è incandescente.	1. Il cablaggio è allentato 2. Ember è in modalità off	1. Scollegare dalla fonte di alimentazione e ispezionare il cablaggio per verificare che non vi siano collegamenti allentati e, se necessario, ripararlo o sostituirlo.
5 Telecomando non funziona.	1. Batterie scariche. 2. Non puntare correttamente il comando. 3. Telecomando e/o sensore difettosi	1. Sostituire le batterie del telecomando. 2. Puntare il comando sul sensore situato direttamente dietro lo schermo di vetro al centro dell'unità, appena sopra i registri. 3. Sostituire il telecomando e/o il sensore. 4. È possibile contattare il nostro servizio clienti per ottenere un telecomando sostitutivo. Potete trovarci all'indirizzo mjy941218@hotmail.com

Grazie per aver acquistato il nostro caminetto!

Se avete domande prima o dopo l'acquisto, non esitate a contattarci

Vi risponderemo entro 24 ore. E il nostro team di professionisti del servizio tecnico e del servizio clienti vi aiuterà a risolvere i vostri problemi e ad assicurare la migliore esperienza di acquisto! Grazie!