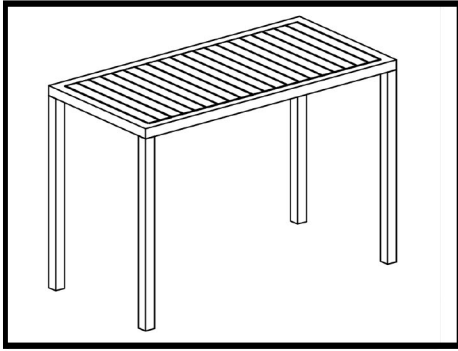


ASSEMBLY INSTRUCTIONS

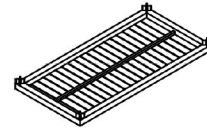
344Grey-T/344White-T- BAR TABLE

meridian.
furniture



+ Parts Included

① Table Top
(1 pcs)



② Table Leg
(4 pcs)



+ Do Not Use
Power Tools



+ Suggested
Adults



NOTE: For questions about parts or assembly please email support@meridianfurnitureusa.com or call us at 718-758-4455.

- 1 Read instructions cover to cover.
- 2 Save all packaging until assembly is completed.

1 **IMPORTANT SAFETY INFORMATION**

Do not assemble the product if any of the following parts arrived damaged:

- Part #1** - Table Top
- Part #2** - Table Leg
- Part #3** - Screw Stem

2 **IMPORTANT ASSEMBLY INFORMATION**

Assembly Step Use A, B, C, D to connect Part 1 to Part 2

+ Hardware Included

A Screw Stem
(4 pcs)



B Nut
(4 pcs)



C Gasket
(4 pcs)



D Spring Washer
(4 pcs)



E Spanner
(1 pcs)



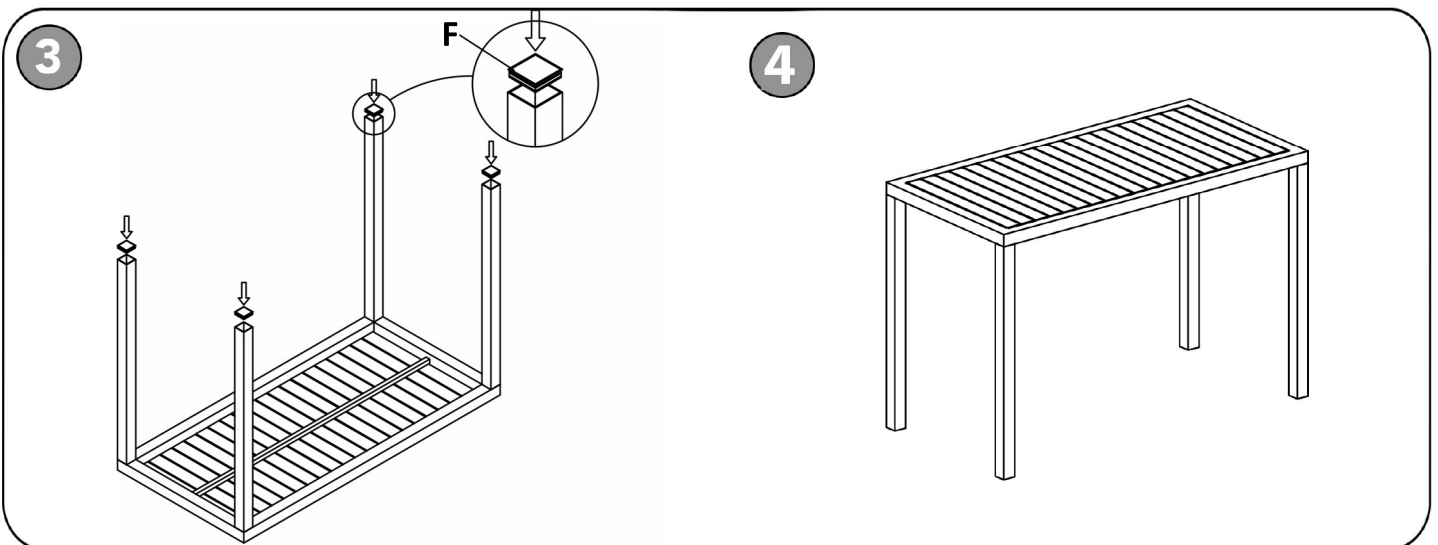
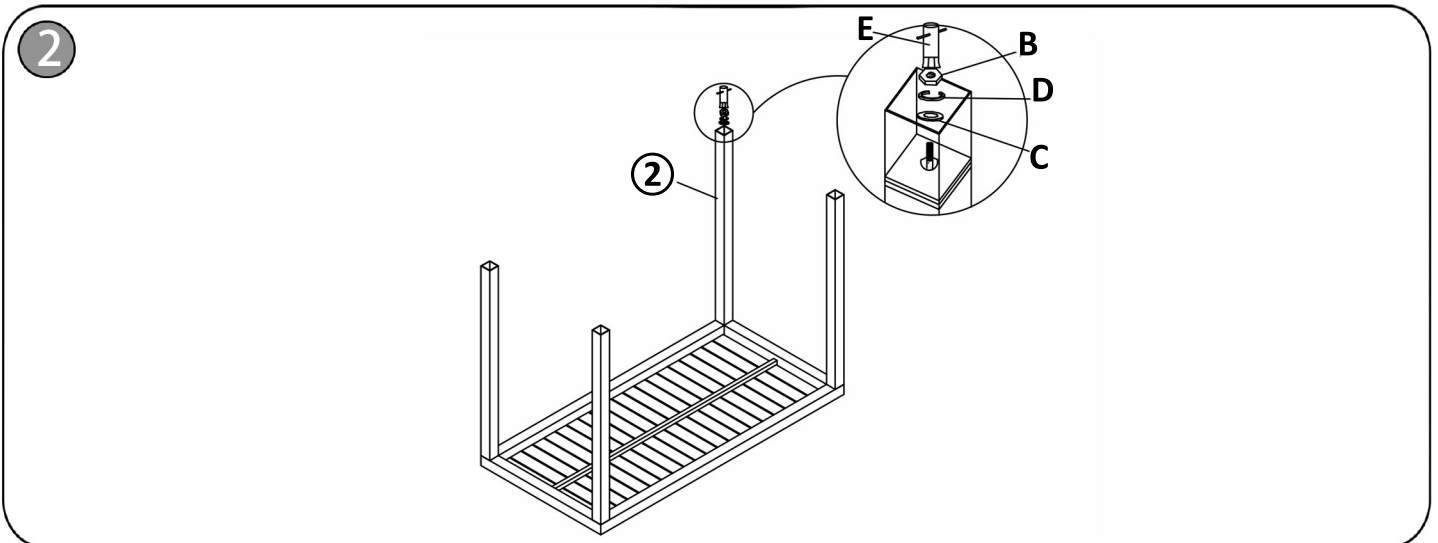
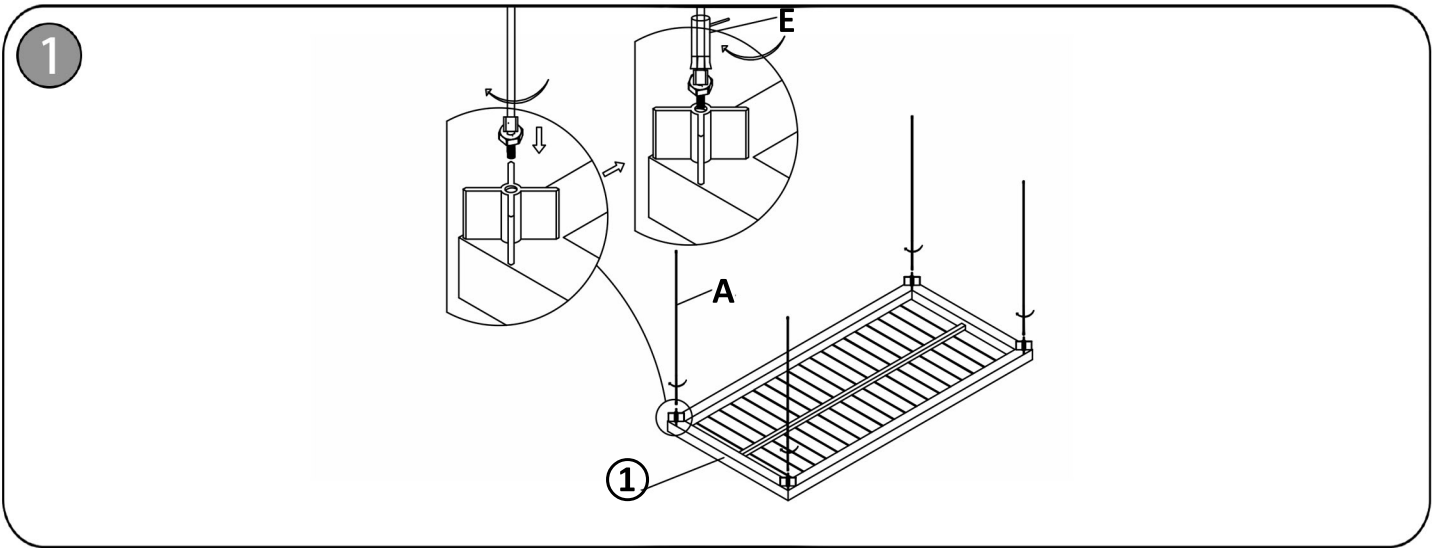
F Foot Cap
(4 pcs)



ASSEMBLY INSTRUCTIONS

344Grey-T/344White-T- BAR TABLE

meridian.
furniture



NOTE: For questions about parts or assembly please email support@meridianfurnitureusa.com or call us at 718-758-4455.

www.MeridianFurnitureUSA.com | support@meridianfurnitureusa.com