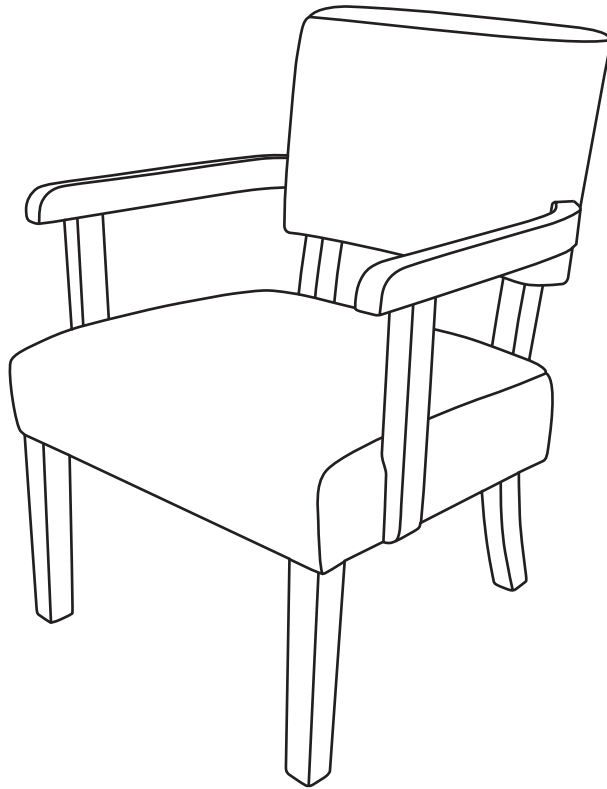


User Manual

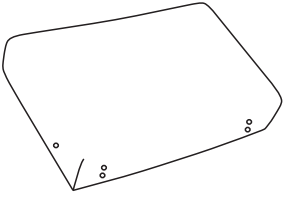
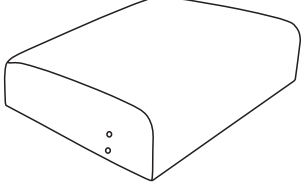





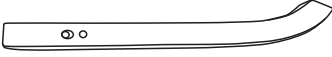

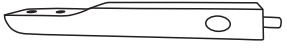
Accent Chair




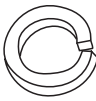




ASSEMBLY INSTRUCTION

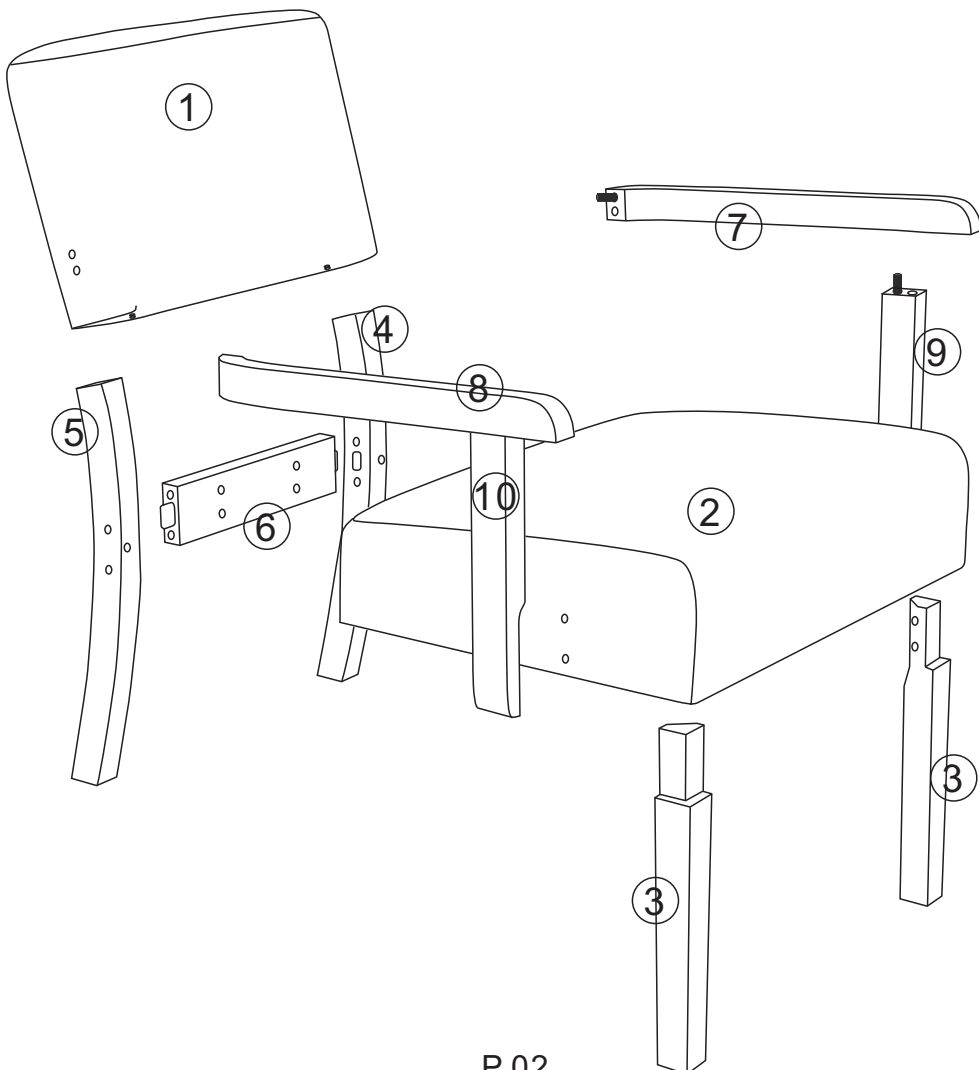
Thank you for purchasing this product. Please take time to read and follow the instructions below. Check that you have all parts and hardware before assembly. Parts apparently missing are often found in the packing materials. If you do not have all the parts listed, have your dealer contact us and they will be sent to you immediately.

Parts List




Label	Picture	Description	QTY
①		Backrest	1pc
②		Seat	1pc
③		Front foot	2pcs
④		Right back foot	1pc
⑤		Left back foot	1pc
⑥		Cross bar	1pc
⑦		Right arm	1pc
⑧		Left arm	1pc
⑨		Right handrail post	1pc
⑩		Left handrail post	1pc

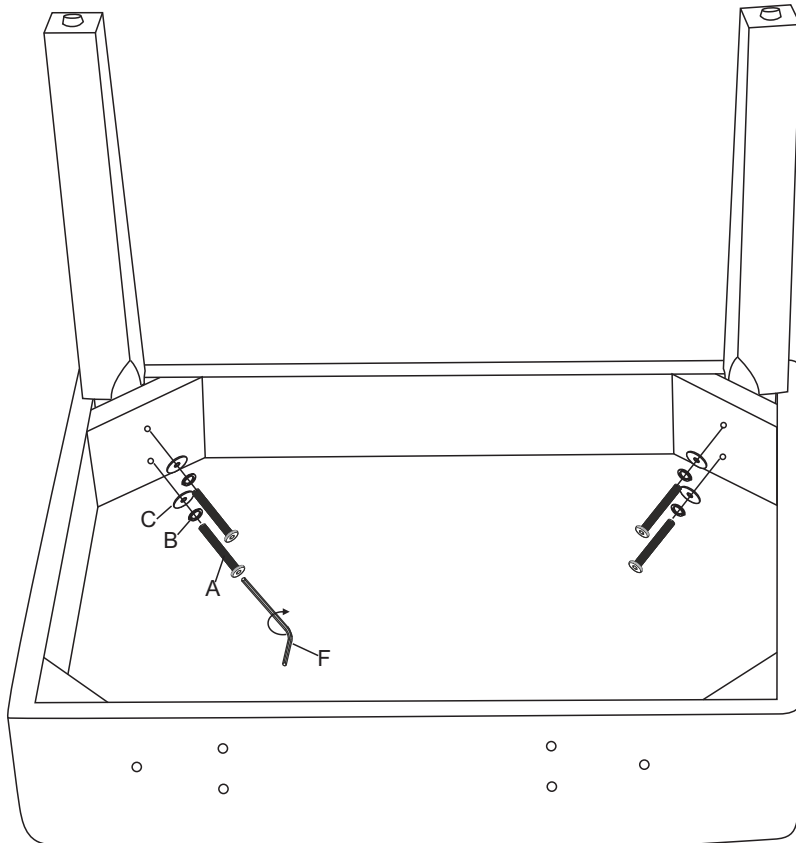
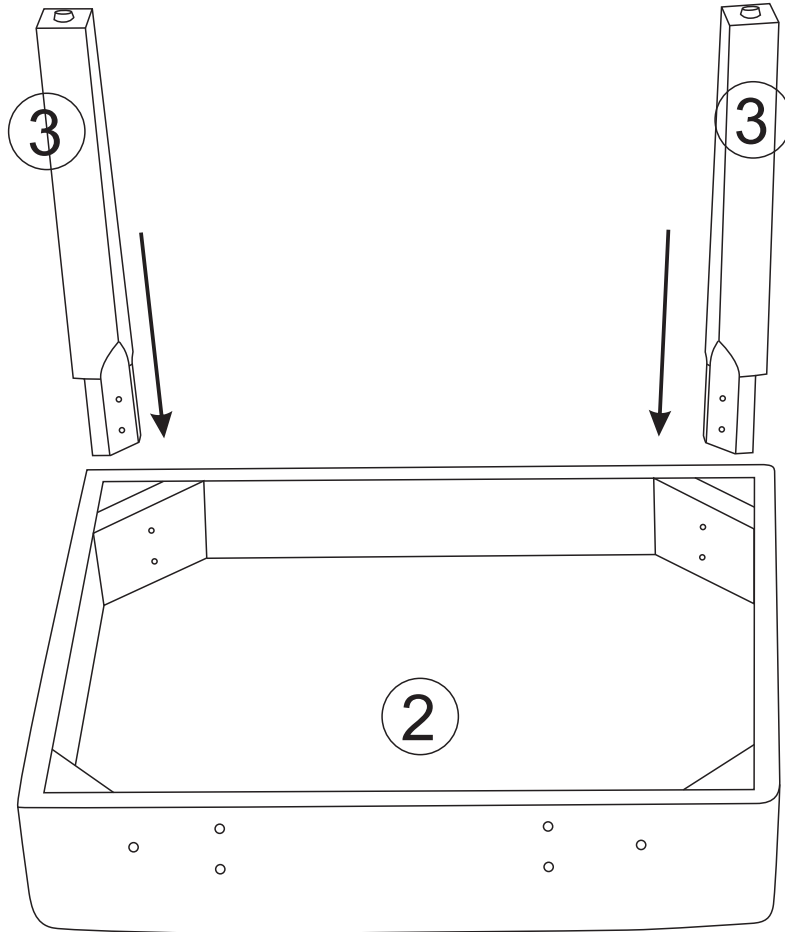
Hardware

Label	Picture	Description	QTY
(A)		Bolt 5/16*45mm	26+1pcs
(B)		Spring Washer	20+1pcs
(C)		Washer	20+1pcs
(D)		Wood Dowel	2+1pcs
(E)		Rubber plug	4+1pcs
(F)		Allen Key	1pc



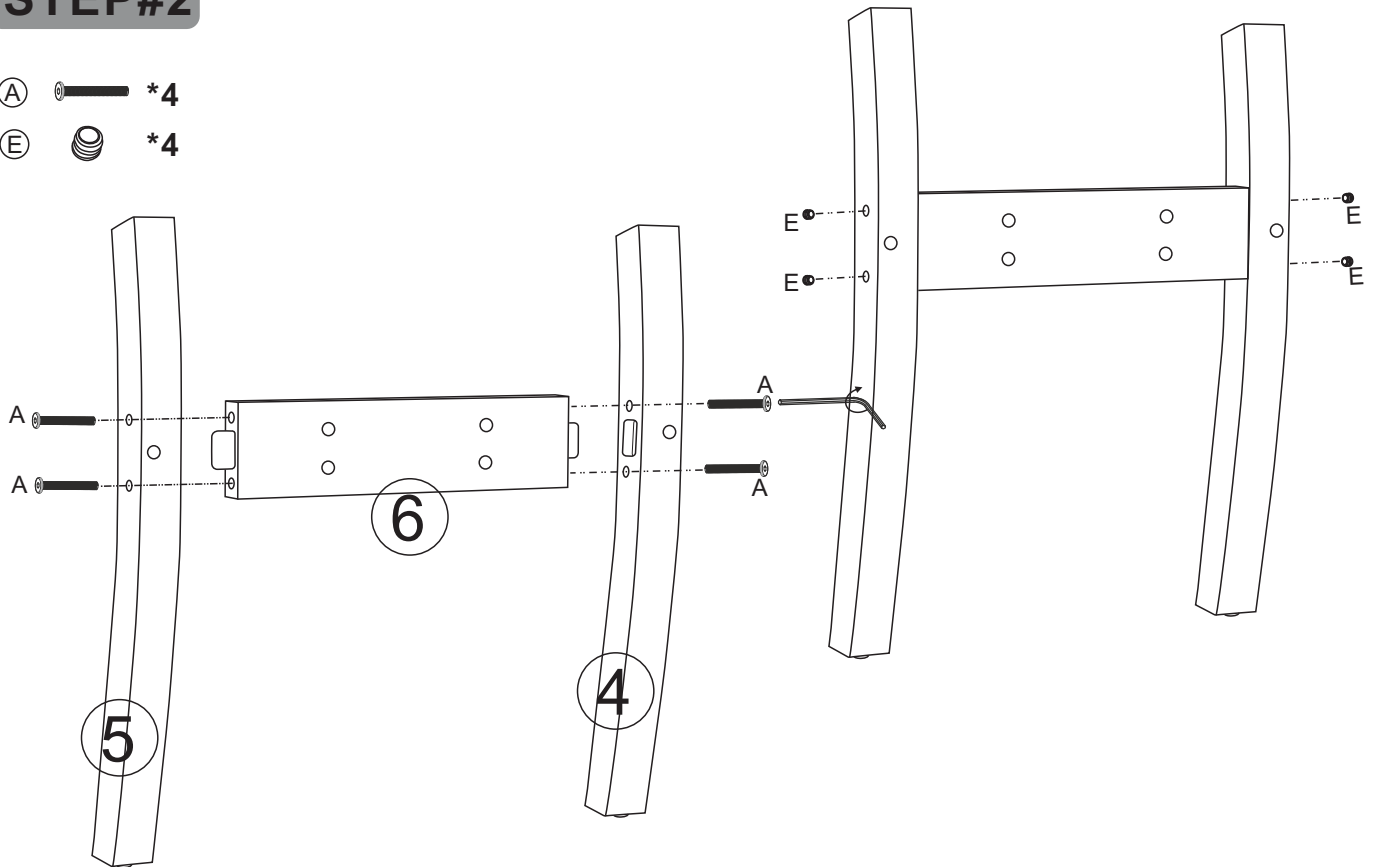
STEP#1

- (A)  *4
- (B)  *4
- (C)  *4






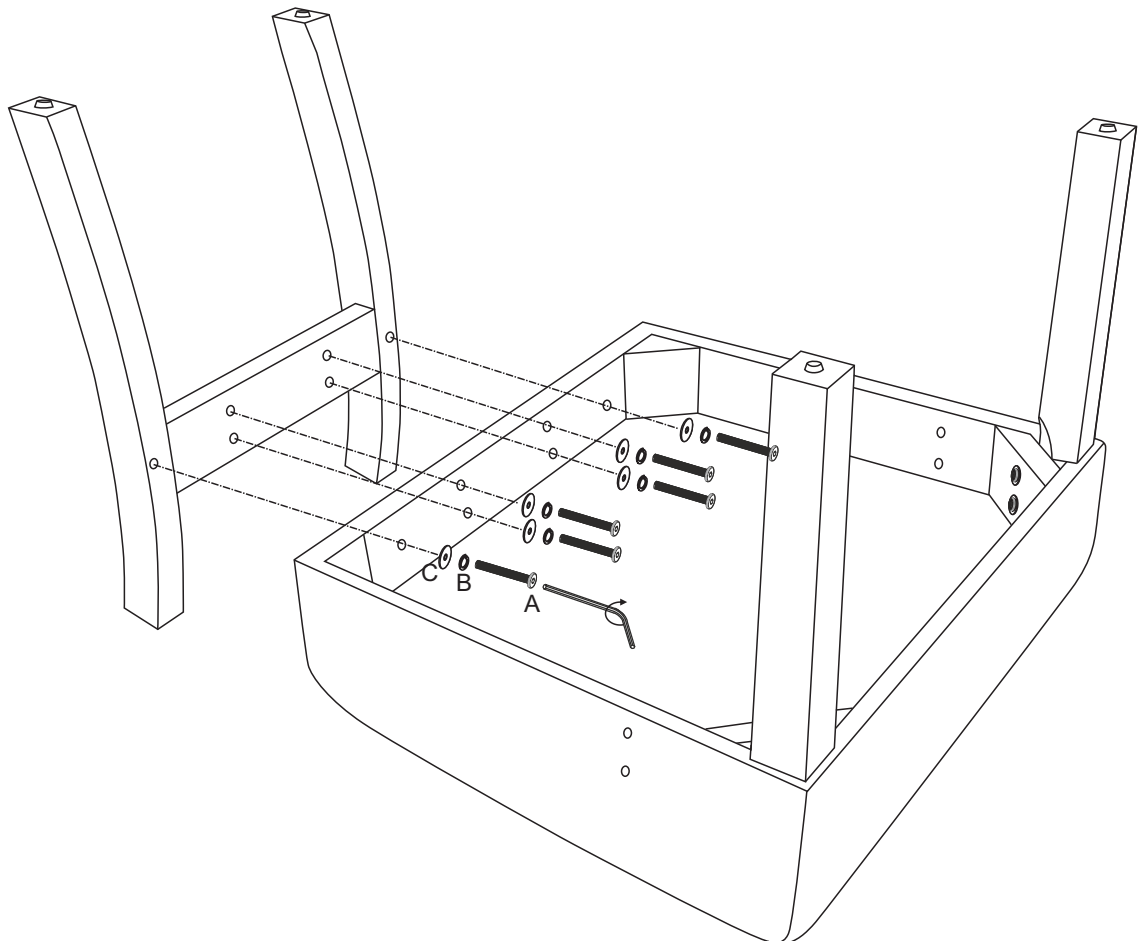
STEP#2

- (A)  *4
- (E)  *4






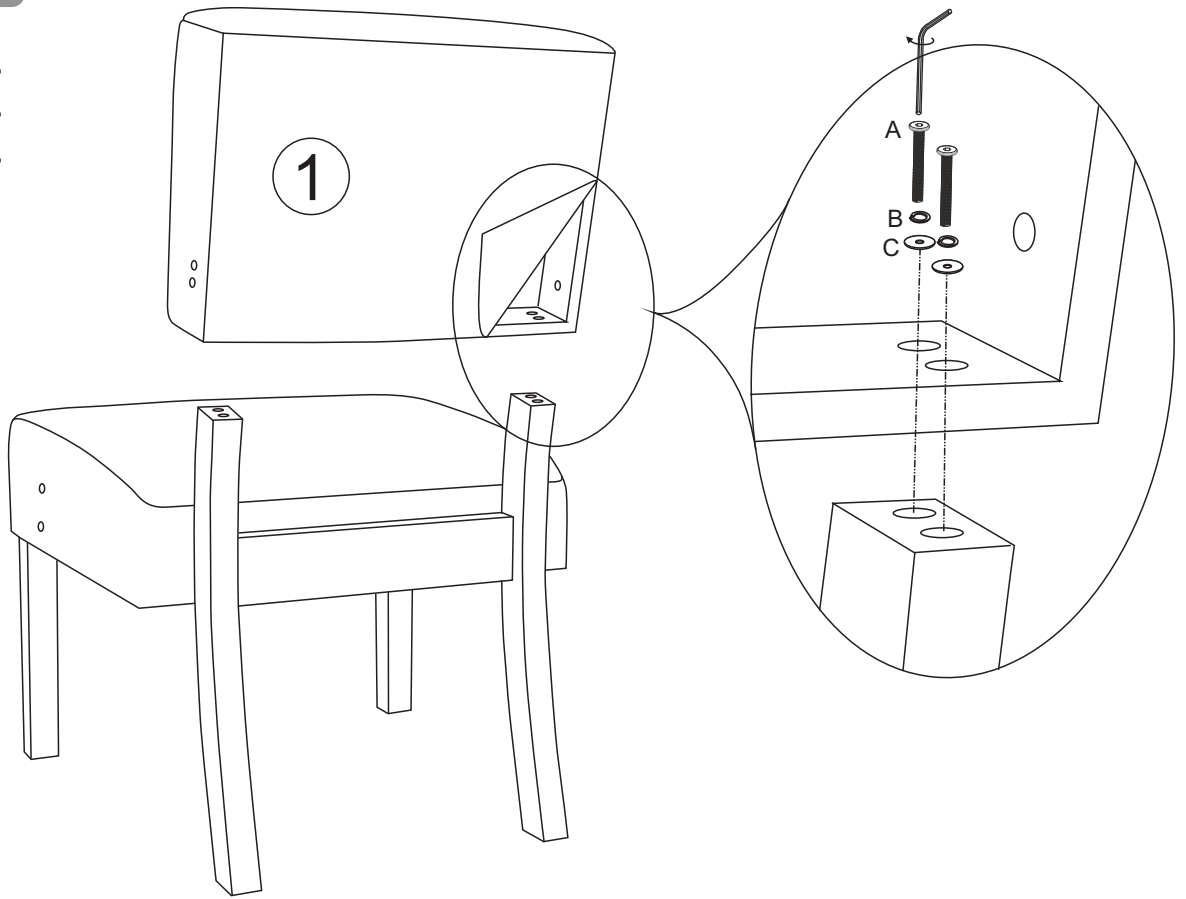
STEP#3

- (A)  *6
- (B)  *6
- (C)  *6







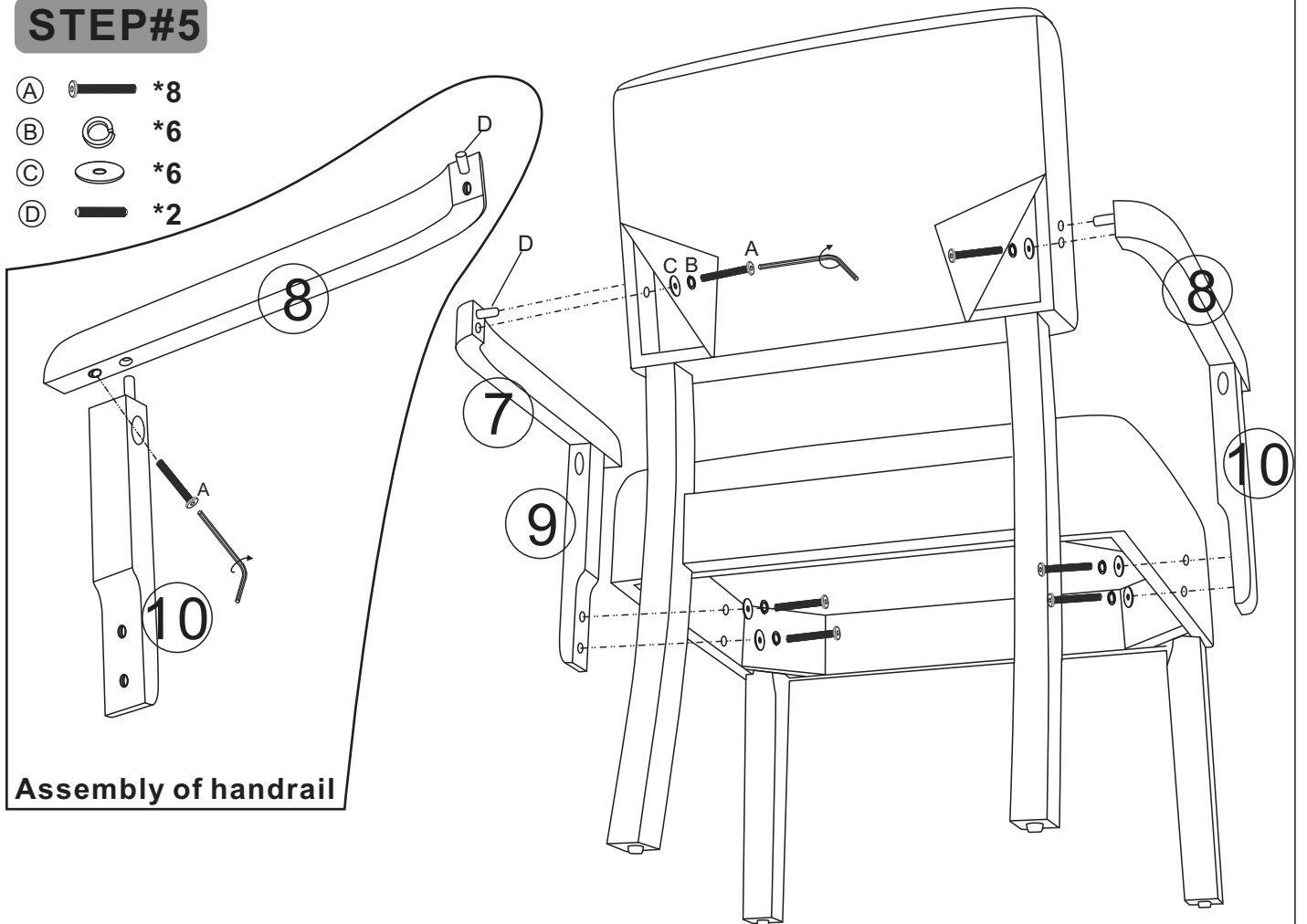
STEP#4

- (A)  *4
- (B)  *4
- (C)  *4



STEP#5

- (A)  *8
- (B)  *6
- (C)  *6
- (D)  *2



Assembly of handrail

STEP#6

When the chair is assembled, if you find uneven feet, twist the studs on the back feet until the chair is balanced.

