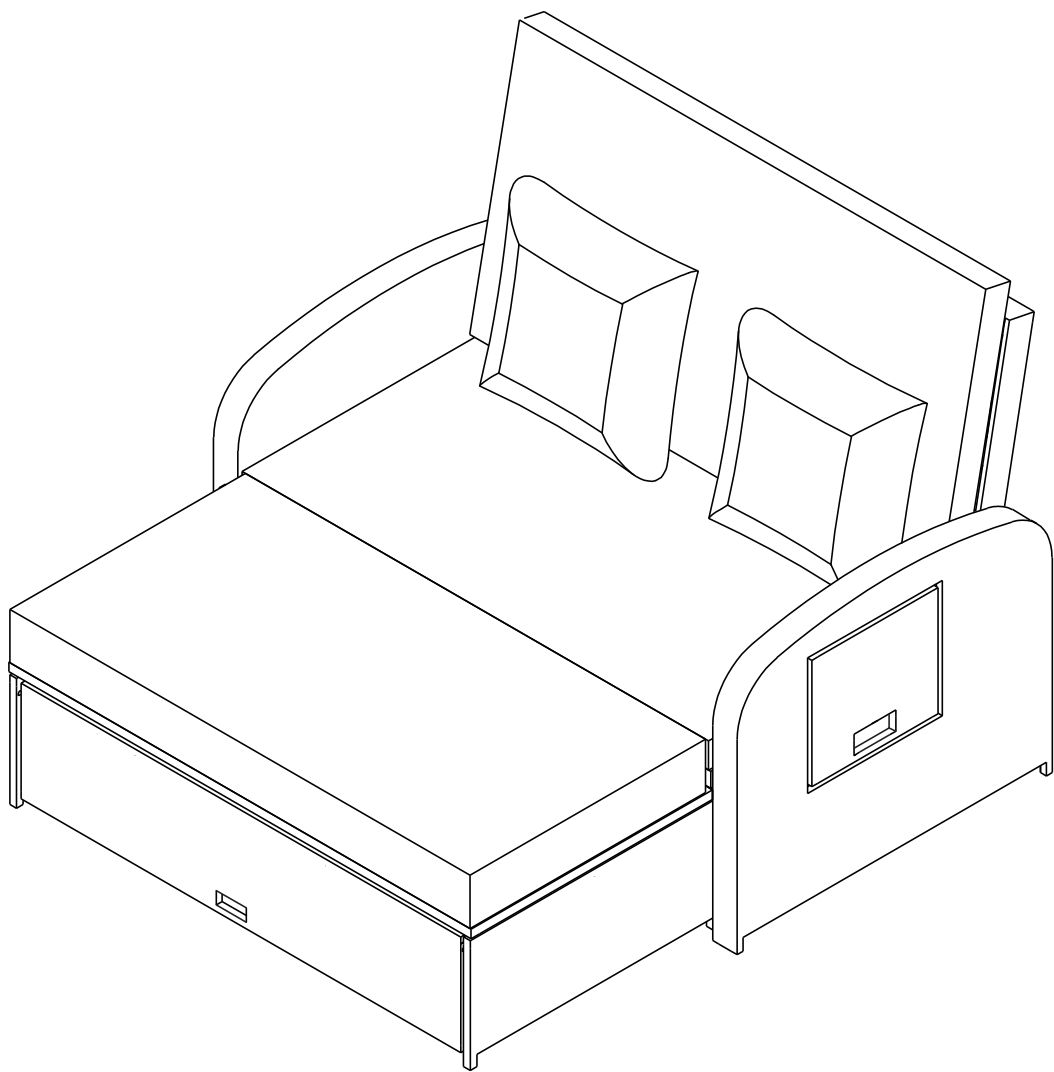


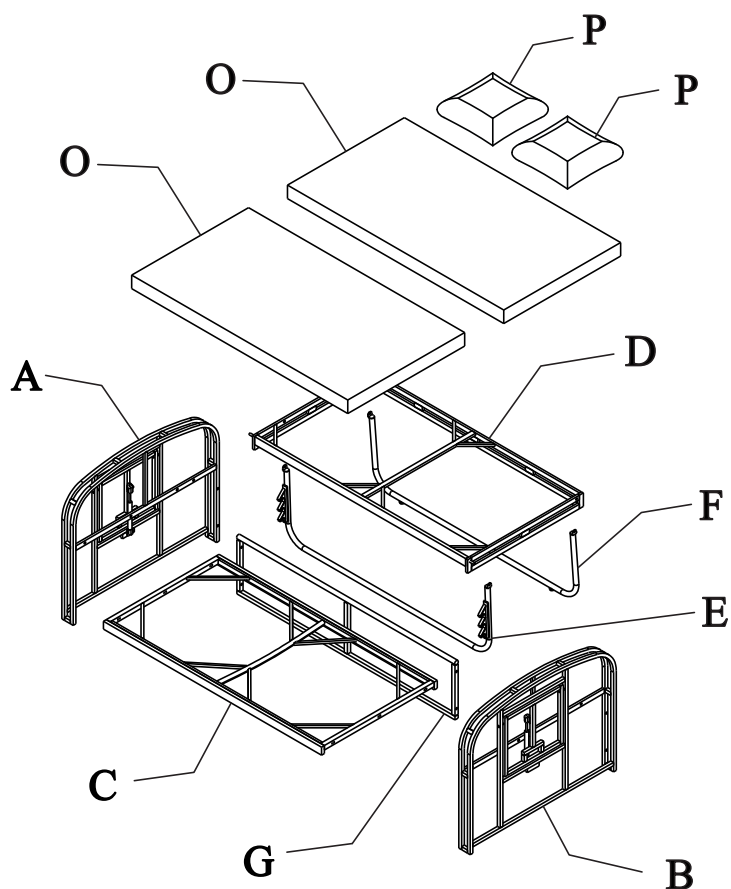
ASSEMBLY INSTRUCTIONS

DAYBED WITH CUSHIONS

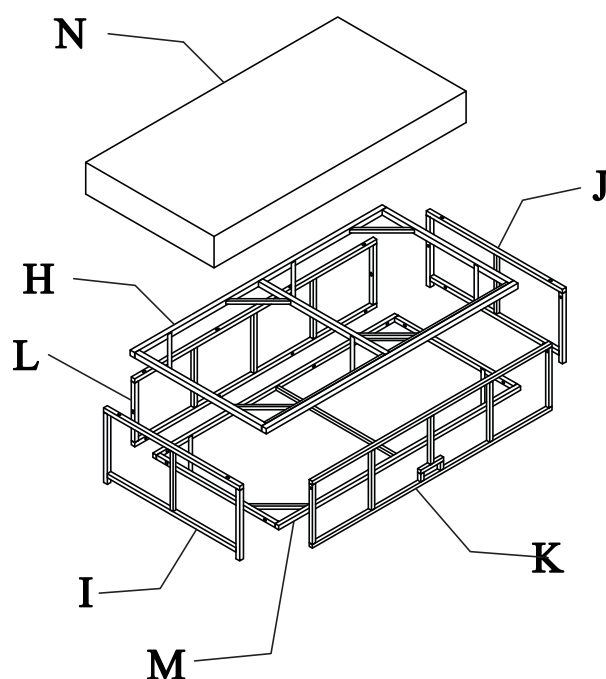


NOTE: 50% TIGHTEN BEFORE FIXING ALL BOLTS

(1 x Bench)



(1 x Stool)

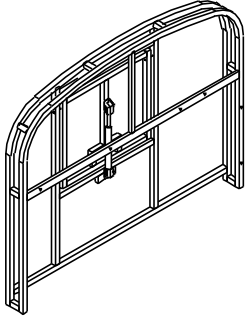


Notice:

1. 50% Tighten before fixing all screws, Allen wrench is recommended instead of an electric drill.
2. Place the item on a flat ground to adjust and make sure it remains stable
3. Tighten up all screws with tools gradually.
4. If the screws are not aligned with holes during assembly, please loosen all the other screws to 50% and continue the assembly process.
5. If the item is not stable, please loosen all the screws, adjust it on a flat ground and tighten up all screws again.
6. Note : If one or some screws are fully tightened during assembly, chances are the others will not be aligned with holes. In addition, all the holes are designed to be relatively larger to provide more space for the adjustment of the screws.

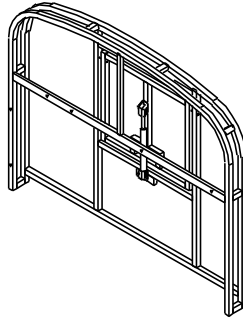
Part List

A



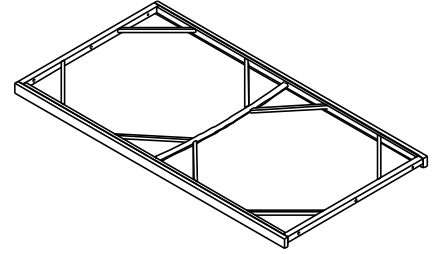
Arm Right Frame (1 pc)

B



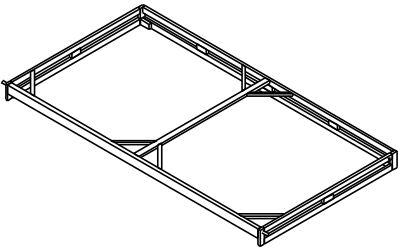
Arm Left Frame (1 pc)

C



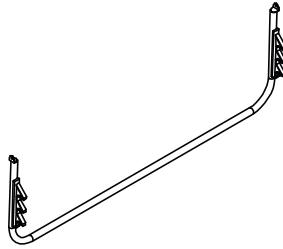
Bench Seat Frame (1 pc)

D



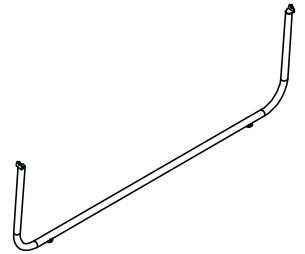
Bench Back Frame (1 pc)

E



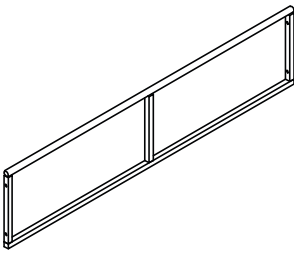
Hip Back Frame (1 pc)

F



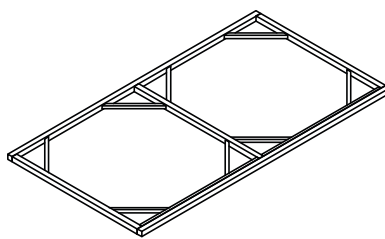
Hip Back Frame (1 pc)

G



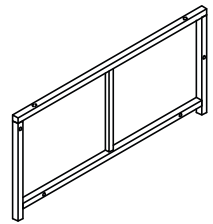
Bench Back Side Frame (1 pc)

H



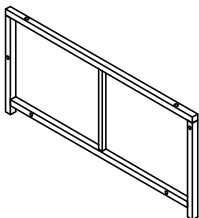
Stool Seat Frame (1 pc)

I



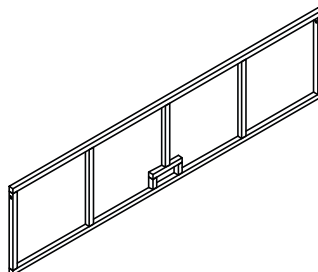
Leg Right Stool (1 pc)

J



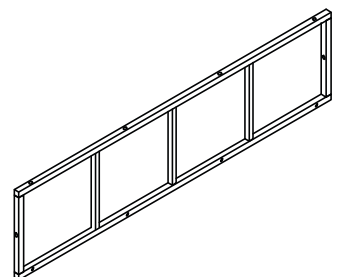
Leg Left Stool (1 pc)

K



Stool Front Side Frame (1 pc)

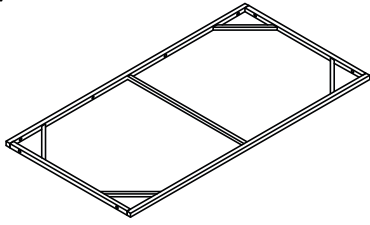
L



Stool Back Side Frame (1 pc)

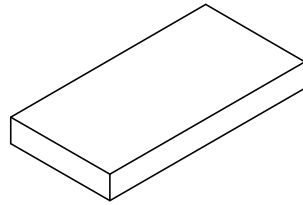
Part List

M



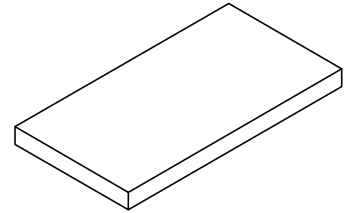
Stool Shelf Frame (1 pc)

N



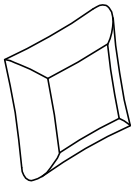
Stool Seat Cushion (1 pc)

O



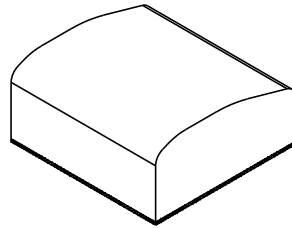
Bench Seat Cushion & Back Cushion (2 pcs)

P



Back Pillow (2 pcs)

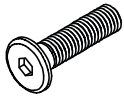
Q



Cover cloth (1 pc)

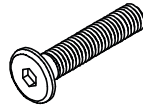
Hardware List

1



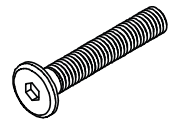
Bolt M6 x 30 mm
4 pcs + extra 1 pc

2



Bolt M6 x 35 mm
24 pcs + extra 2 pcs

3



Bolt M6 x 40 mm
6 pcs + extra 1 pc

4



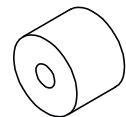
M6 x 1 mm Washers
34 pcs + extra 3 pcs

5



M6 x 20 x 5 mm Washers
2 pcs + extra 1 pc

6



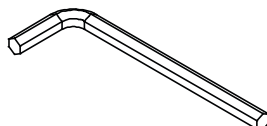
M6 x 20 x 15 mm Washers
4 pcs + extra 1 pc

7



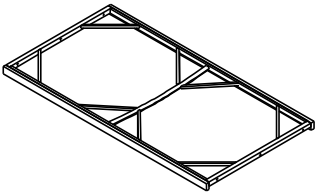
M10 x 25 x 5 mm Washers
2 pcs + extra 1 pc

8

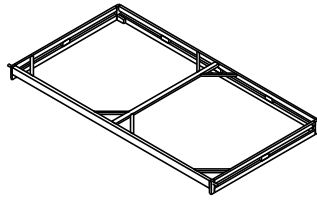


Allen key M4 (2 pcs)

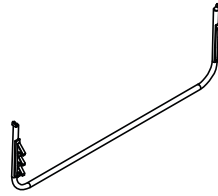
CARTON CONTENT:



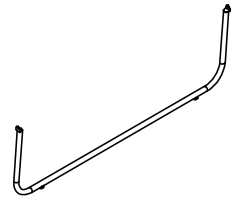
C x 1



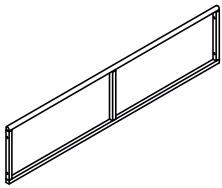
D x 1



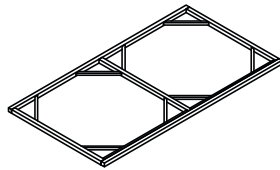
E x 1



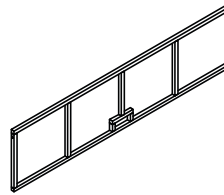
F x 1



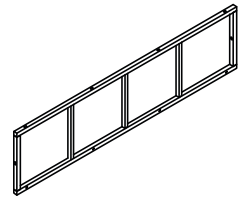
G x 1



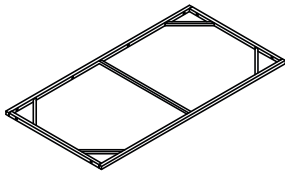
H x 1



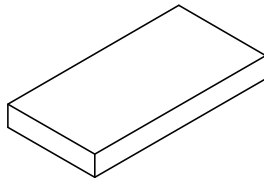
K x 1



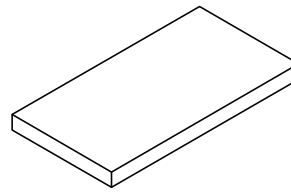
L x 1



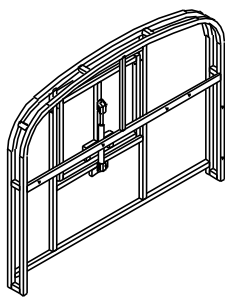
M x 1



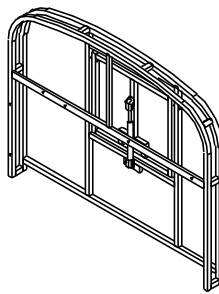
N x 1



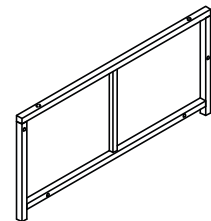
O x 2



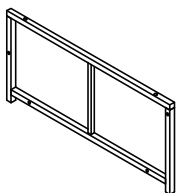
A x 1



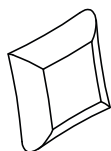
B x 1



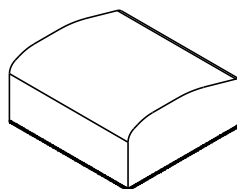
I x 1



J x 1



P x 2



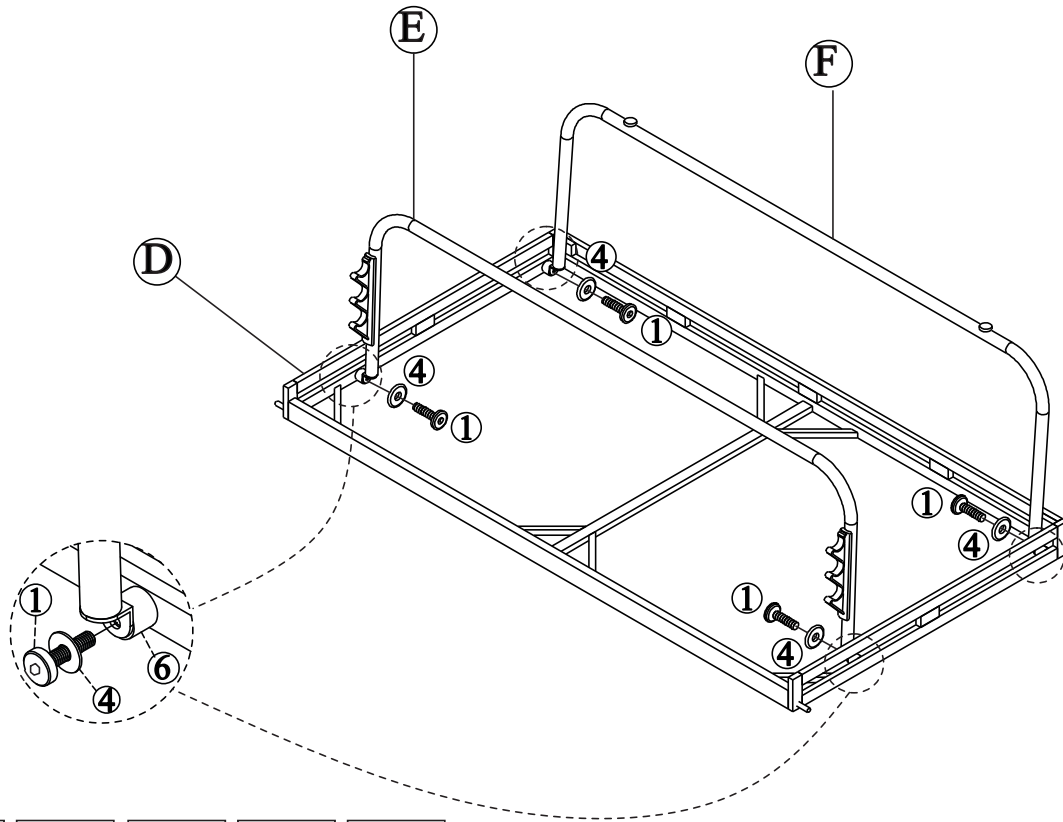
Q x 1



HARDWARE

STEP 1 (1 x Bench assembly)

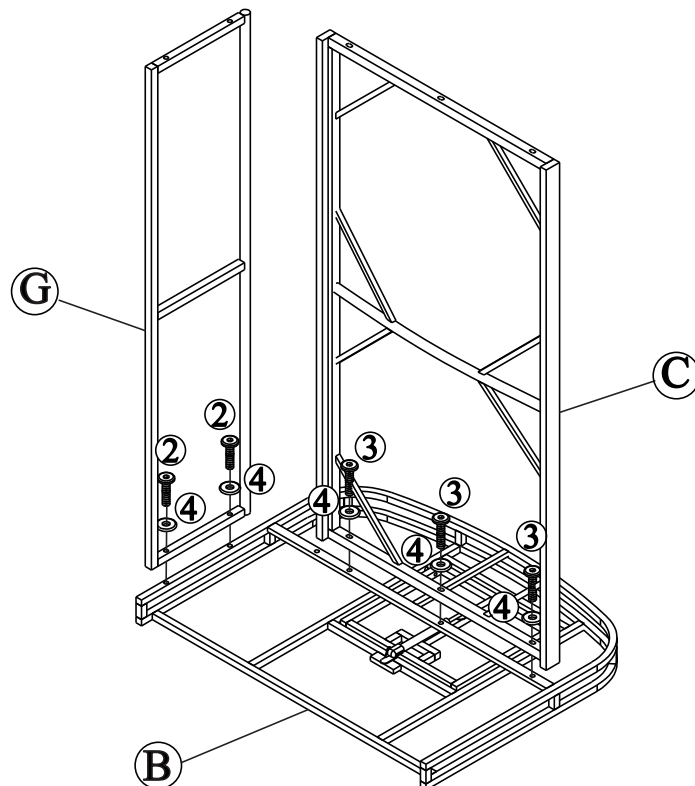
Connect Bench back frame (D) & Hip back frame (E), Hip back frame (F) with Bolts (1) & Washers (4), (6)



D*1 E*1 F*1 ①*4 ④*4 ⑥*4

STEP 2

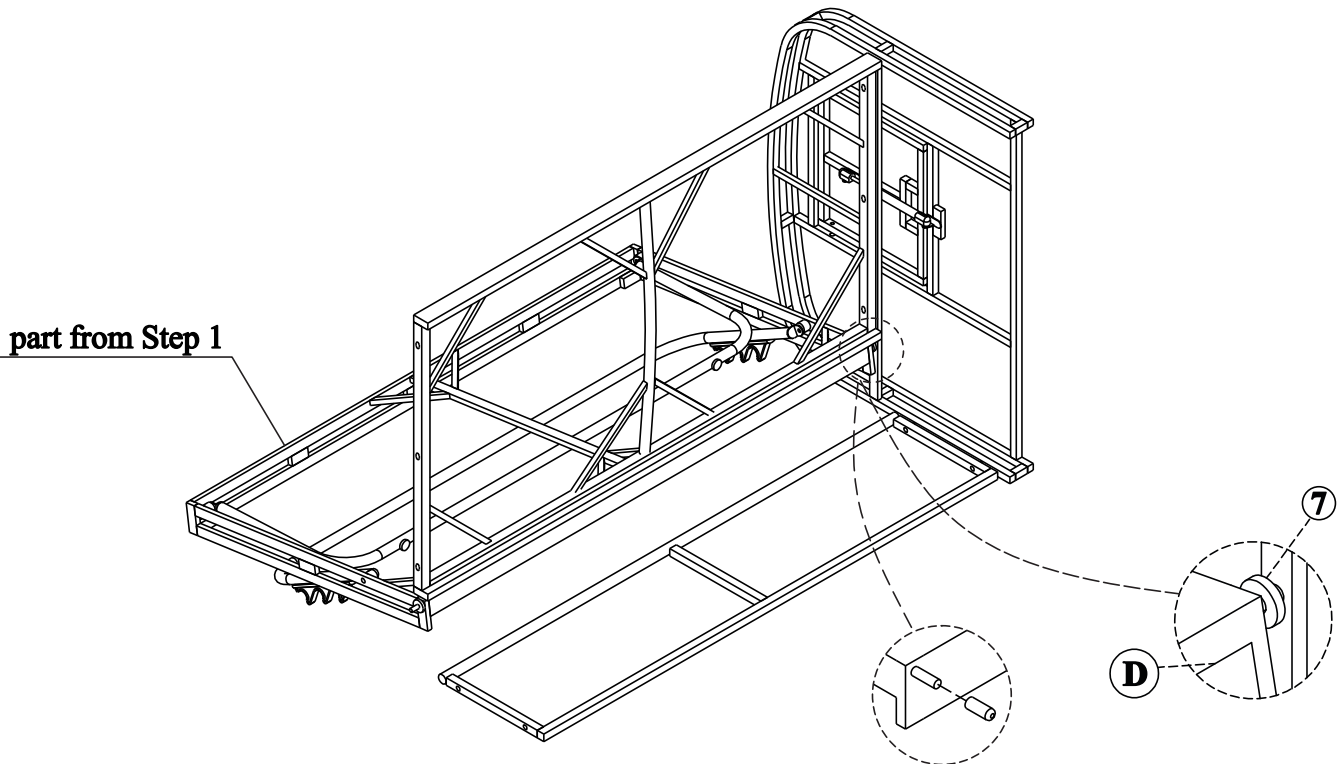
Connect Arm left frame (B) & Bench seat frame (C) & Bench back side frame (G) with Bolts (2), (3) & Washers (4)



B*1 C*1 G*2 ②*2 ③*3 ④*5

STEP 3

Connect part from Step 2 & part from Step 1 with Washers (7)

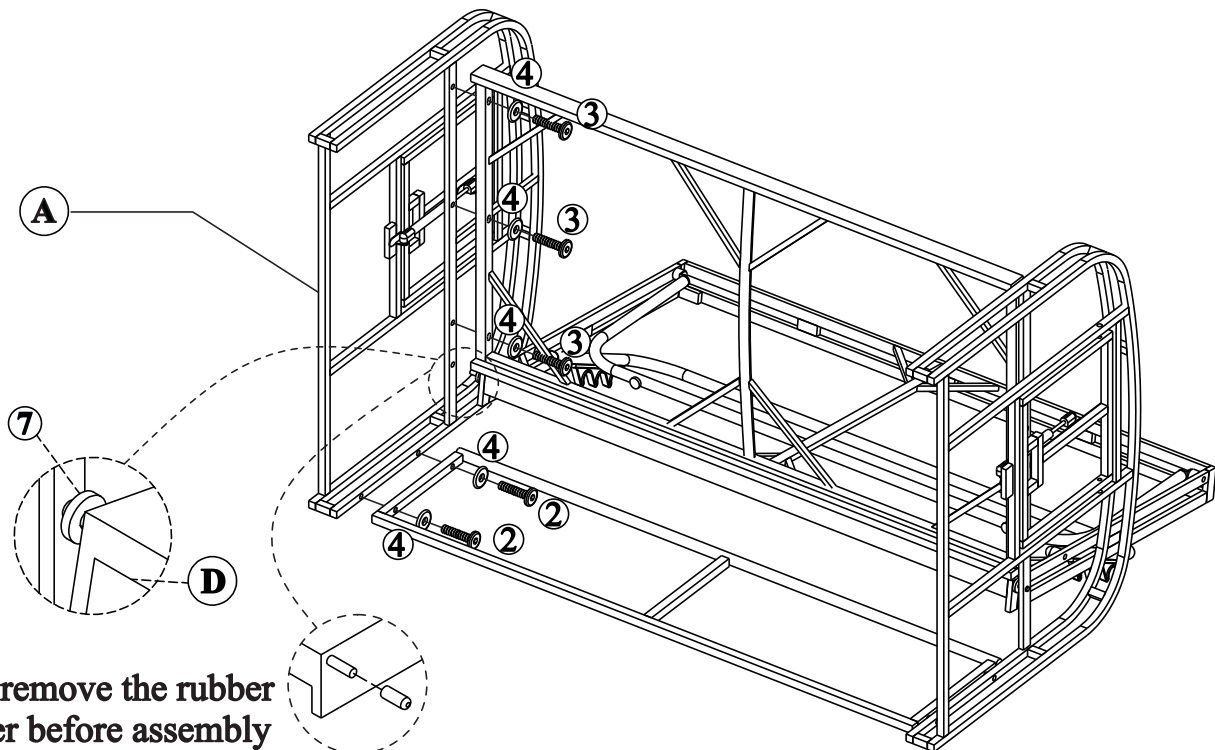


⑦*1

Note: remove the rubber stopper before assembly

STEP 4

Connect part from Step 3 & Arm right frame (A) with Bolts (2), (3) with Bolts (2), (3) & Washers (4), (7)

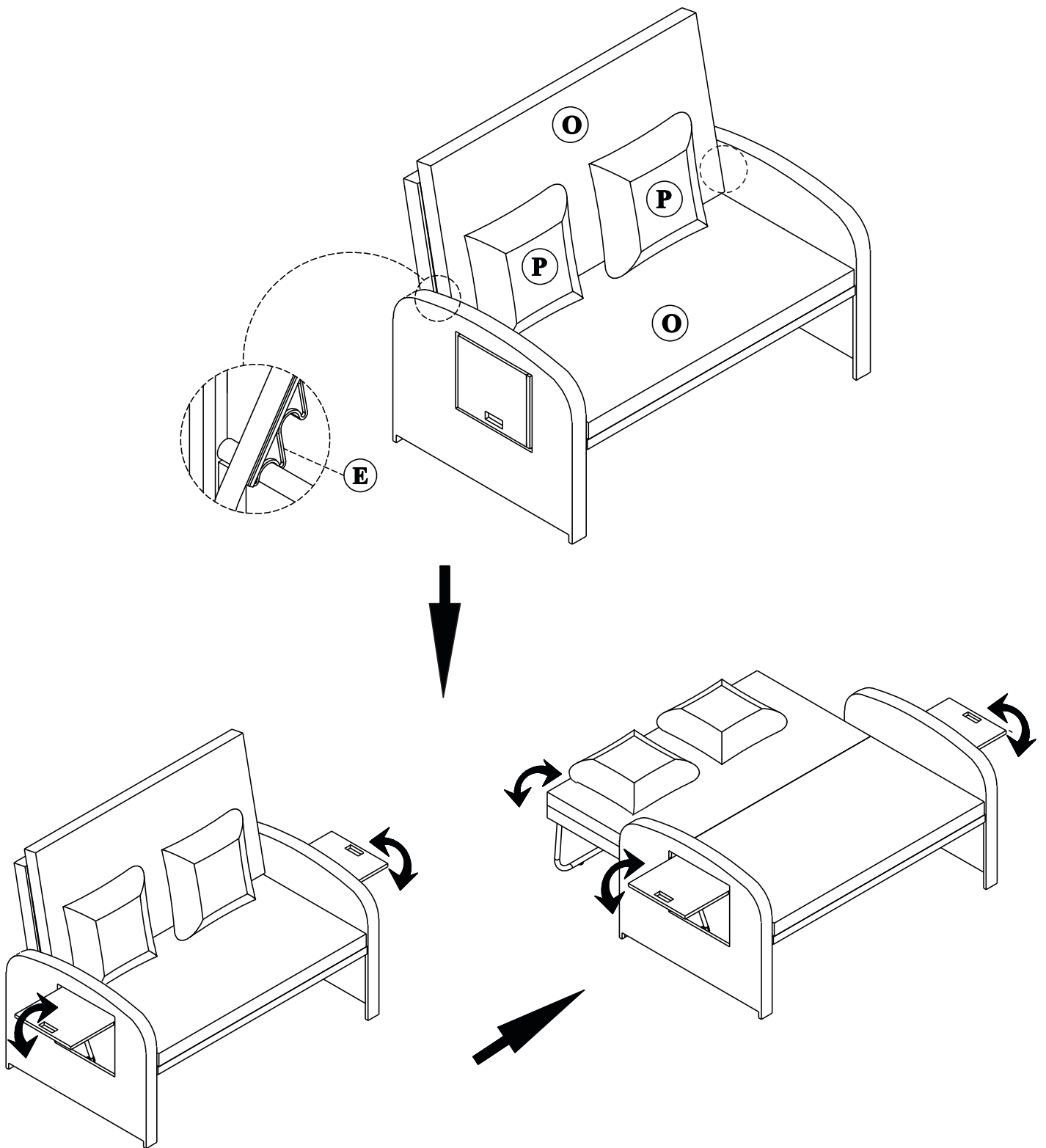


Note: remove the rubber stopper before assembly

A*1 ②*2 ③*3 ④*5 ⑦*1

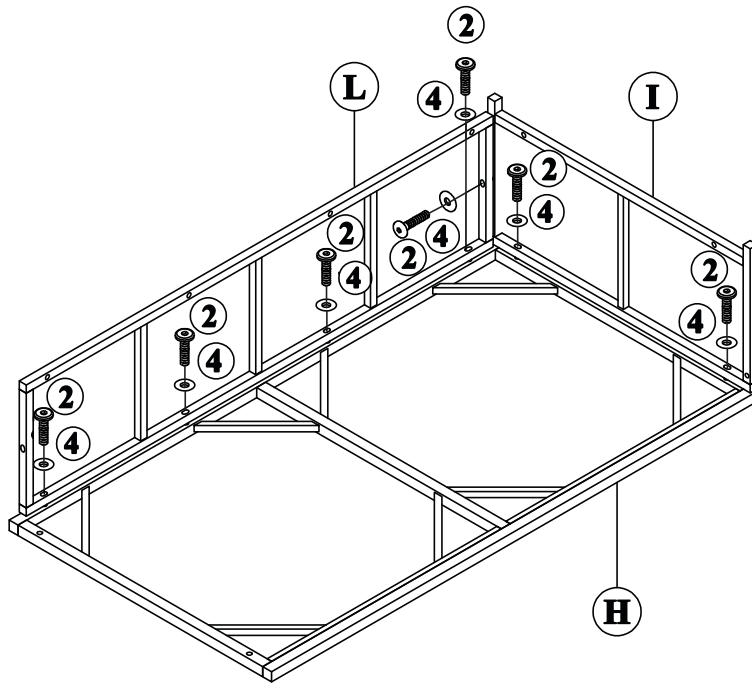
STEP 5

Put on Bench Seat Cushion & Back Cushion (O) & Back Pillow (P) to complete Bench



STEP 6

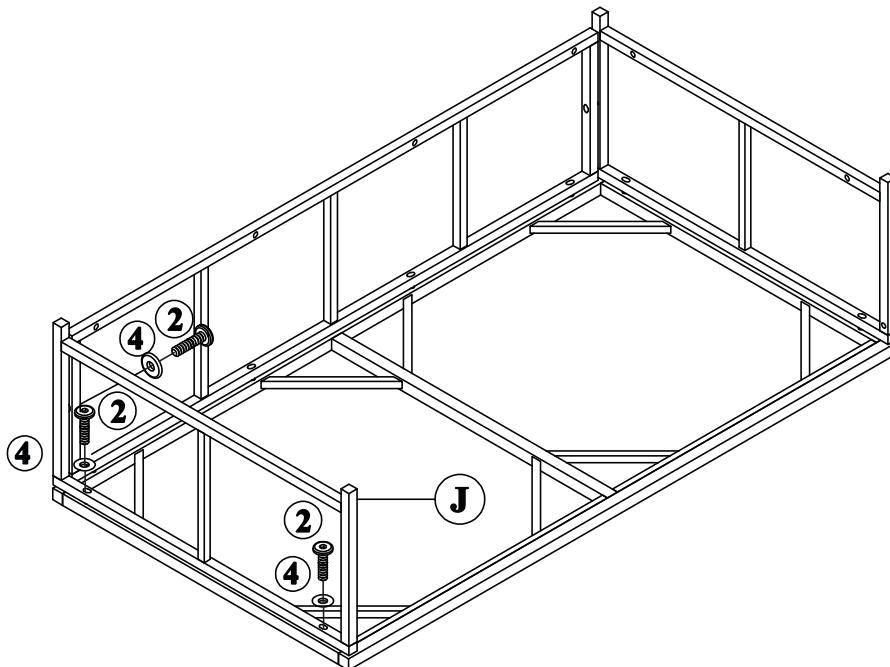
Connect Stool seat frame (H) & Leg right stool (I) & Stool back side frame (L) with Bolts (2) & Washers (4)



L*1 H*1 I*1 ②*7 ④*7

STEP 7

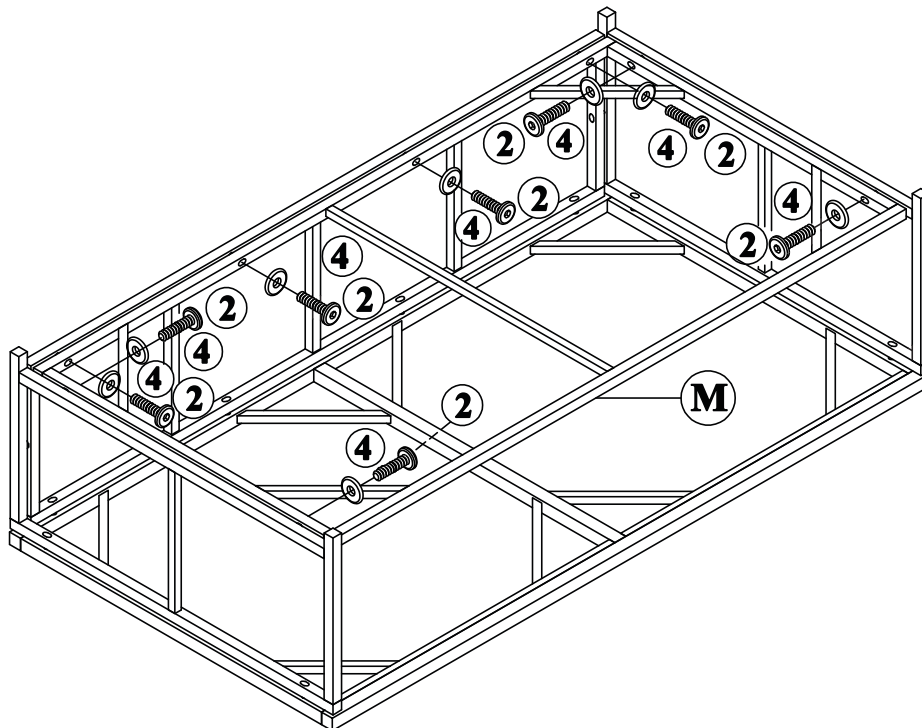
Connect part from Step 6 & Leg left stool (J) with Bolts (2) & Washers (4)



J*1 ②*3 ④*3

STEP 8

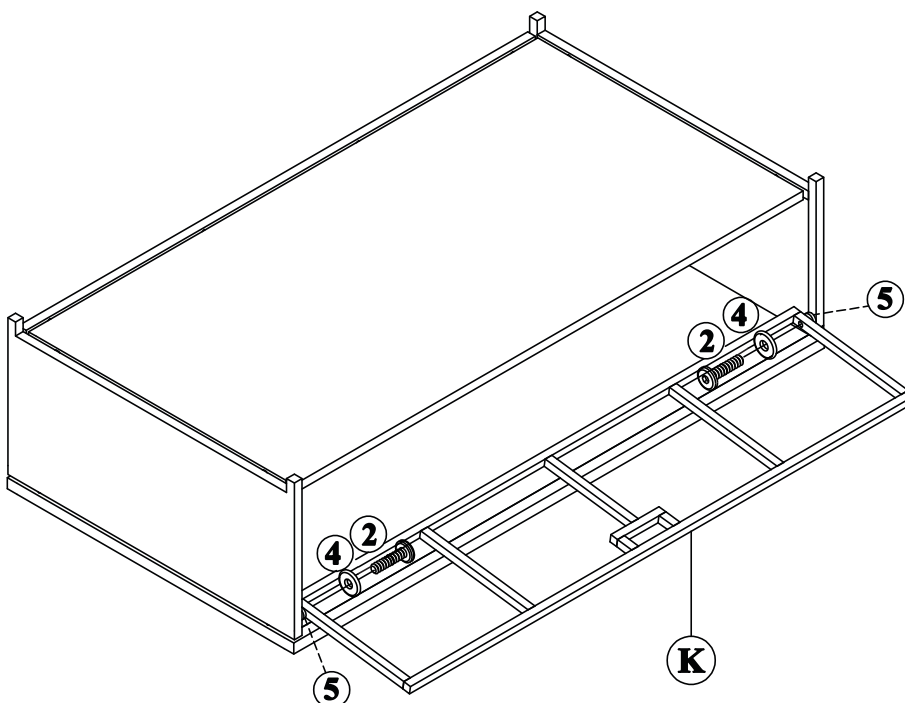
Connect part from Step 7 & Stool Shelf frame (M) with Bolts (2) & Washers (4)



M*1 ②*8 ④*8

STEP 9

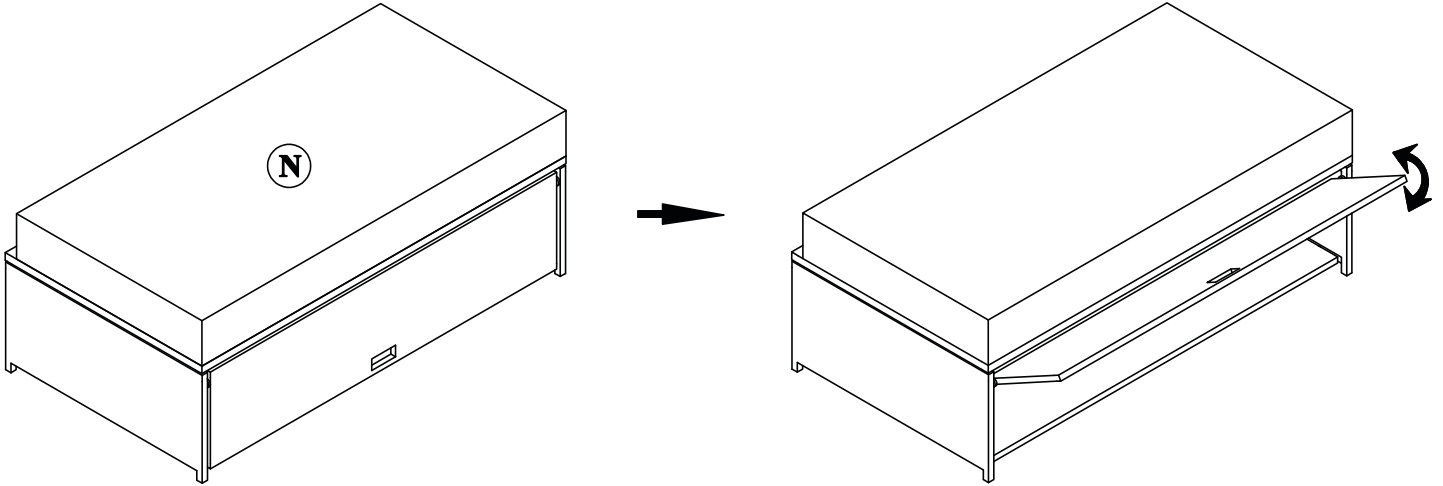
Connect part from Step 8 & Stool Front side frame (K) with Bolts (2) with Bolts (2) & Washers (4), (5)



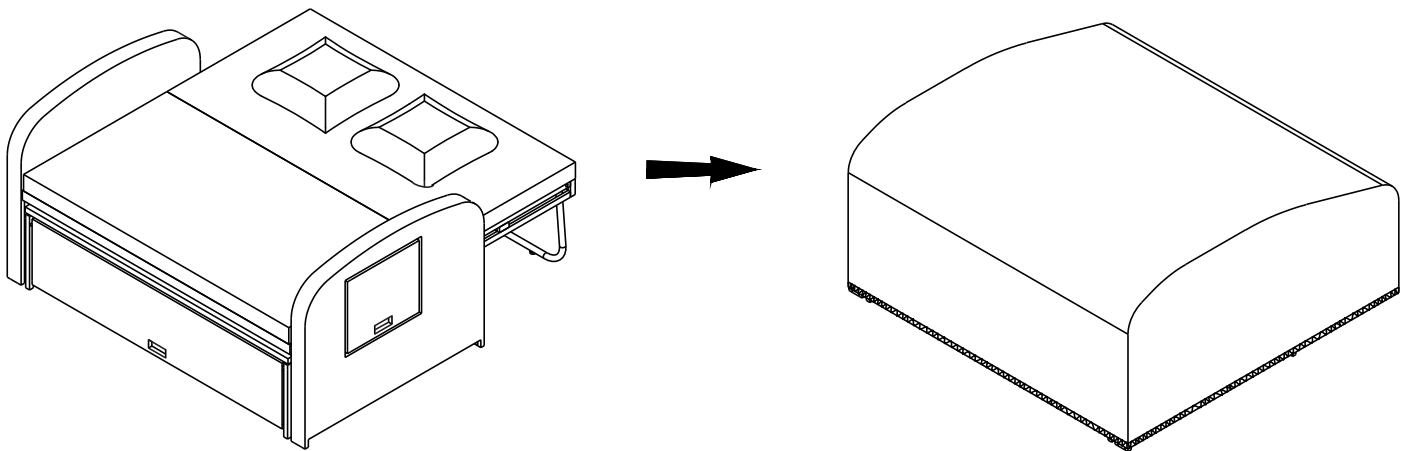
K*1 ②*2 ④*2 ⑤*2

STEP 10

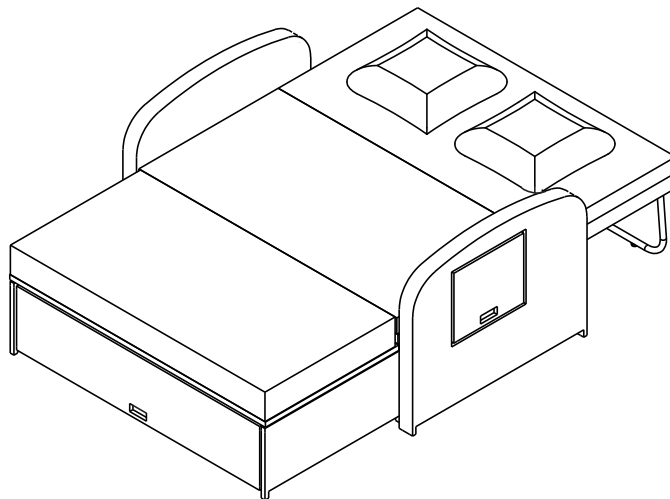
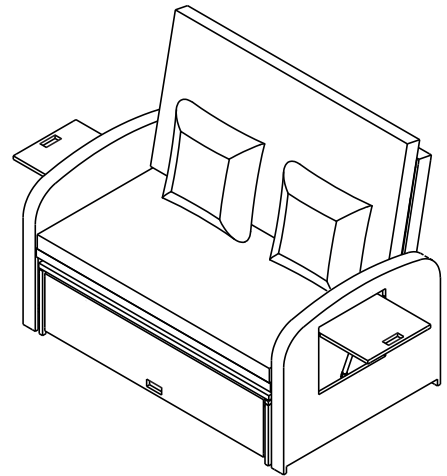
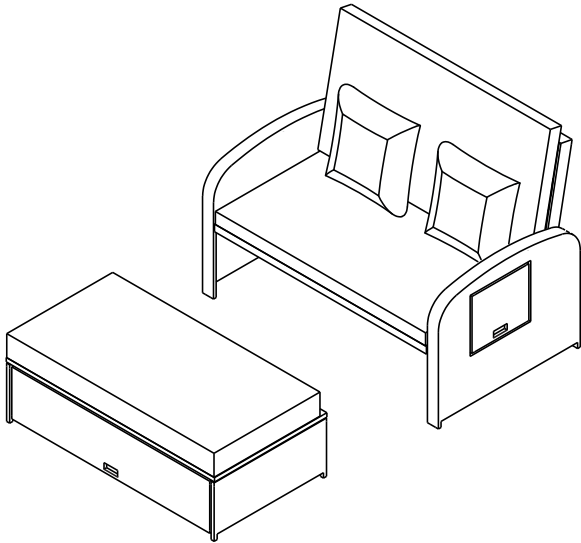
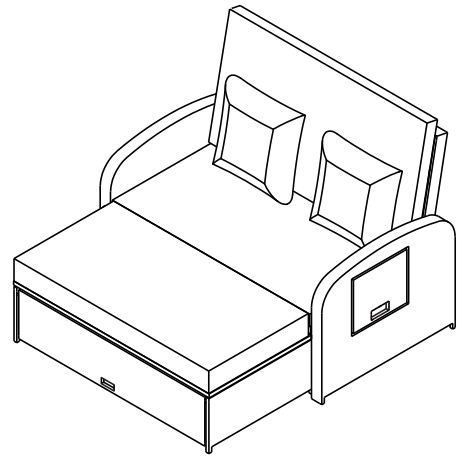
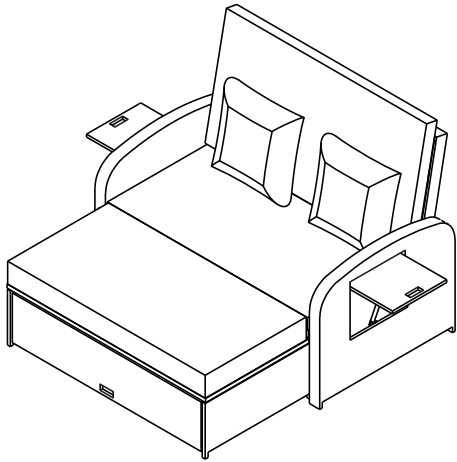
Put on Stool Seat Cushion (N) to complete Stool



Take back frame down lowest and cover the product with Cover cloth (Q) when not in use



Combination and Arrangement



FINISH