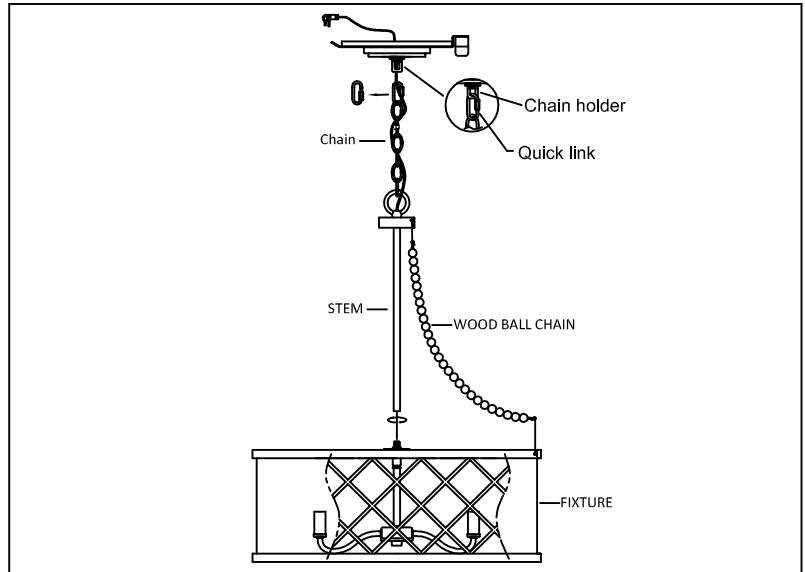


PACKAGE CONTENTS

DESCRIPTION	QTY
FIXTURE W/ BRACKET	1
STEM	1
WOOD BALL CHAIN	6
LED LAMP	4

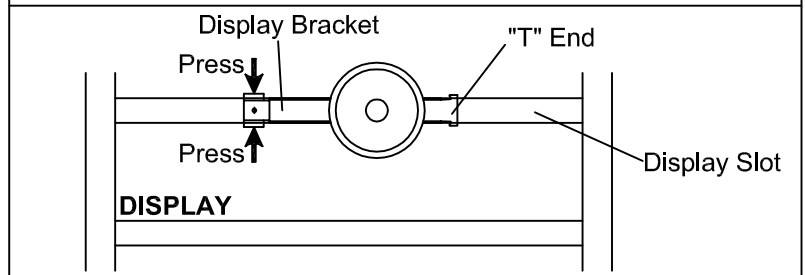
STEP 1:

- A. Install the stem into fixture.
- B. Attach the wood ball chain on the fixture.
- C. Connect the chain to the chain holder of the canopy by quick link.

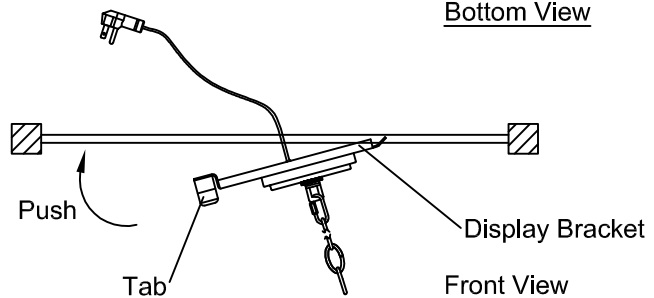


STEP 2:

- A. Insert the "T" end of the display bracket into the display slot.
- B. Next, press the tabs on the other end of the display bracket and push the display bracket into the display slot.
- C. Fixture height is preset to fit most stores. If height is not correct, cut the zip tie and adjust the fixture to the correct length.
- D. Once the fixture is adjusted to the correct height, gather up the excess chain and wire and attach to fixture chain with zip tie.



Bottom View



Front View

STEP 3:

- A. Install the lamp supplied with the display.
- B. Insert the power plug into receptacle.

