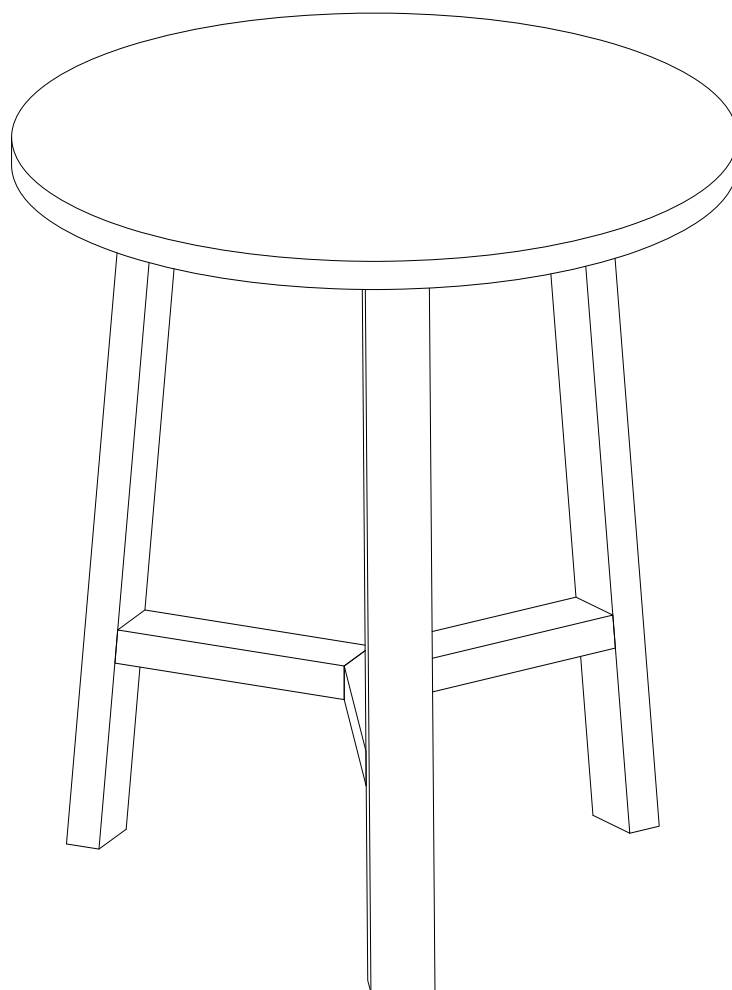


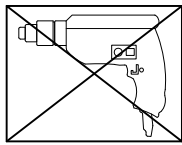
## Assembly Instructions



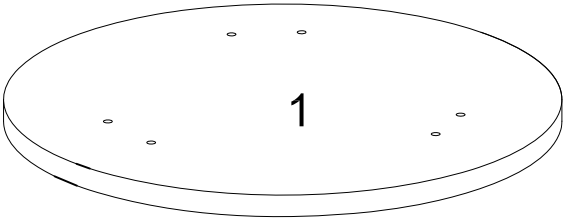
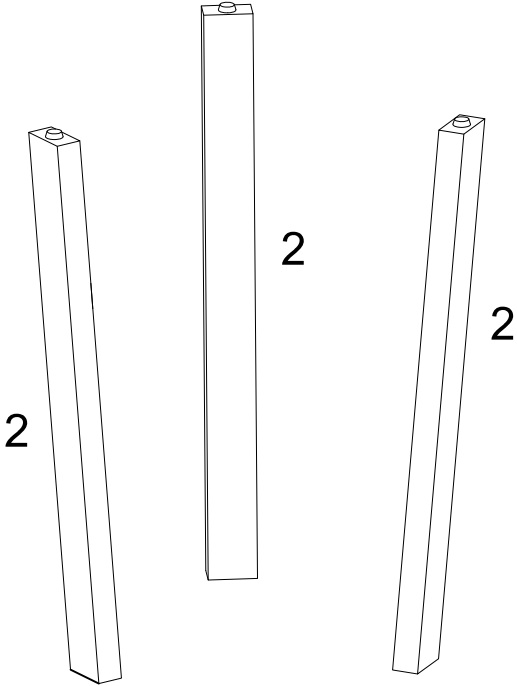
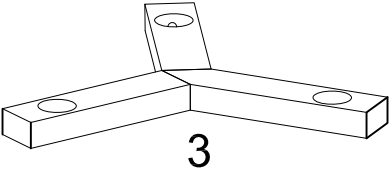
*Please visit our website for the most current instructions, assembly tips, report damage, or request parts.*

# General Assembly Guidelines

- I. Ensure that all parts and hardware are available before beginning assembly.
- II. Follow each step carefully to ensure the proper assembly of this product.
- III. Two people are recommended for ease in the assembly of this product.
- IV. The main type of hardware used to assemble this product is: bolts.
- V. Power tools should not be used to assemble this product .

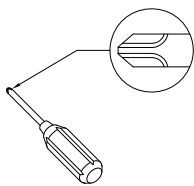


# Parts List



# Hardware List

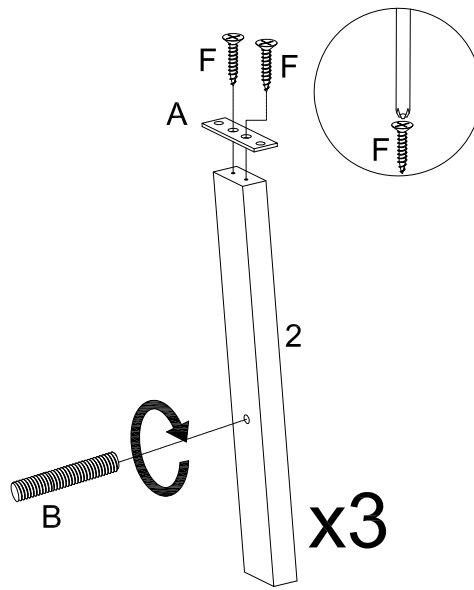
A		80x25x2mm	Plate	3 pcs
B		Ø8x65mm	Bolt	3 pcs
C			Half moon washer	3 pcs
D			Nut	3 pcs
E		Ø6x15mm	Bolt	6 pcs
F		Ø4x25mm	Screw	6 pcs
G			Wrench	1 pcs
H		M4	Hex Key	1 pcs
J		Ø38mm	Plastic cover	3 pcs



Philips head screwdriver required for assembly  
(not included)

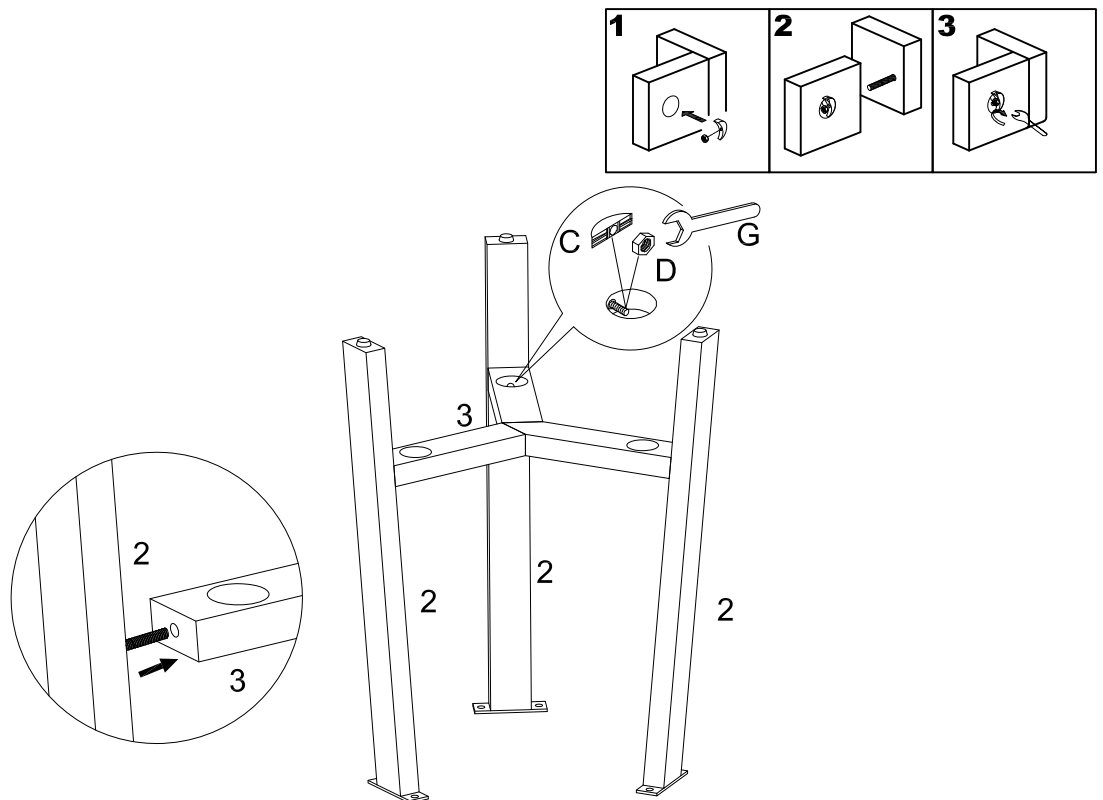
*The hardware quantities listed above are required for proper assembly.  
Some extra hardware may also have been included.*

# Step 1



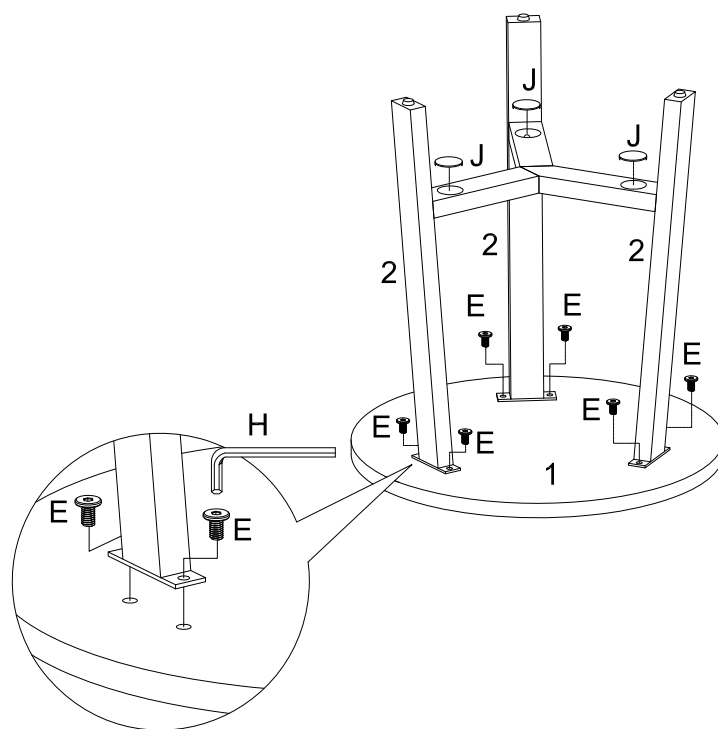
Insert bolt (B) into part (2), attach part (A) to part (2) using screw (F) with a screwdriver. Repeat this step two more times to complete the legs.

# Step 2



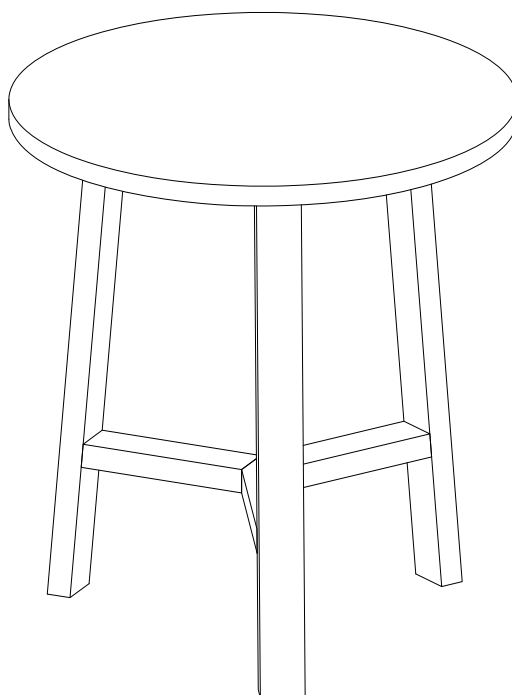
Attach part (2) to part (3), then insert and secure half moon washer (C) and nut (D) to part (3) and use wrench (G) to tighten.

## Step 3



Attach part (2) to part (1) using bolt (E) with hex key (H). Place plastic cover (J) over holes as per diagram.

## Step 4



**Final Assembly**