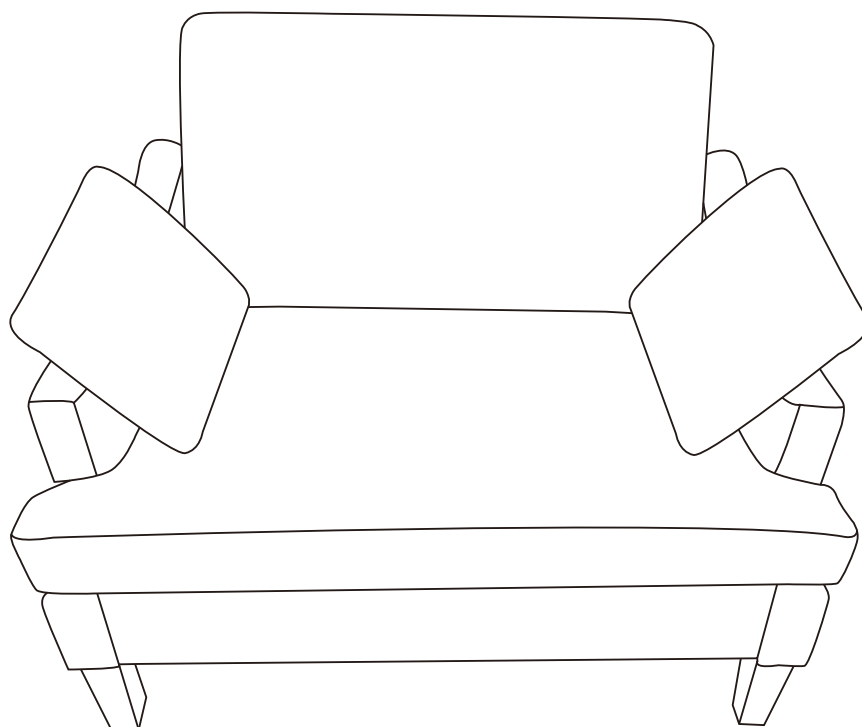


ASSEMBLY INSTRUCTIONS

Single sofa

L24UG10008-01



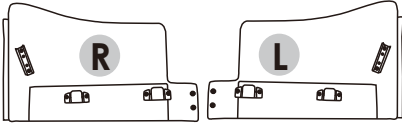



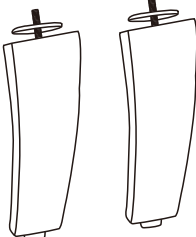

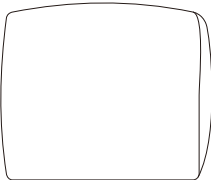
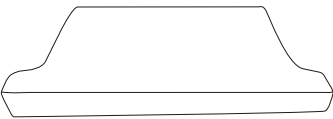
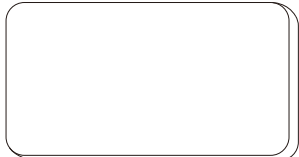
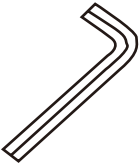
Please read this manual carefully before any operation and keep it properly for future use.
If any problems on our product, please feel free to Contact us at service@sunoff.com.

ATTENTION

Thanks for choosing our product.

1. Please check the manual carefully and ensure you have received all the parts.
2. If any parts are missing, please let us know which ones you need.
3. If there is any damage, please send clear photos to us. We will review them and provide you with the best solution as soon as possible.

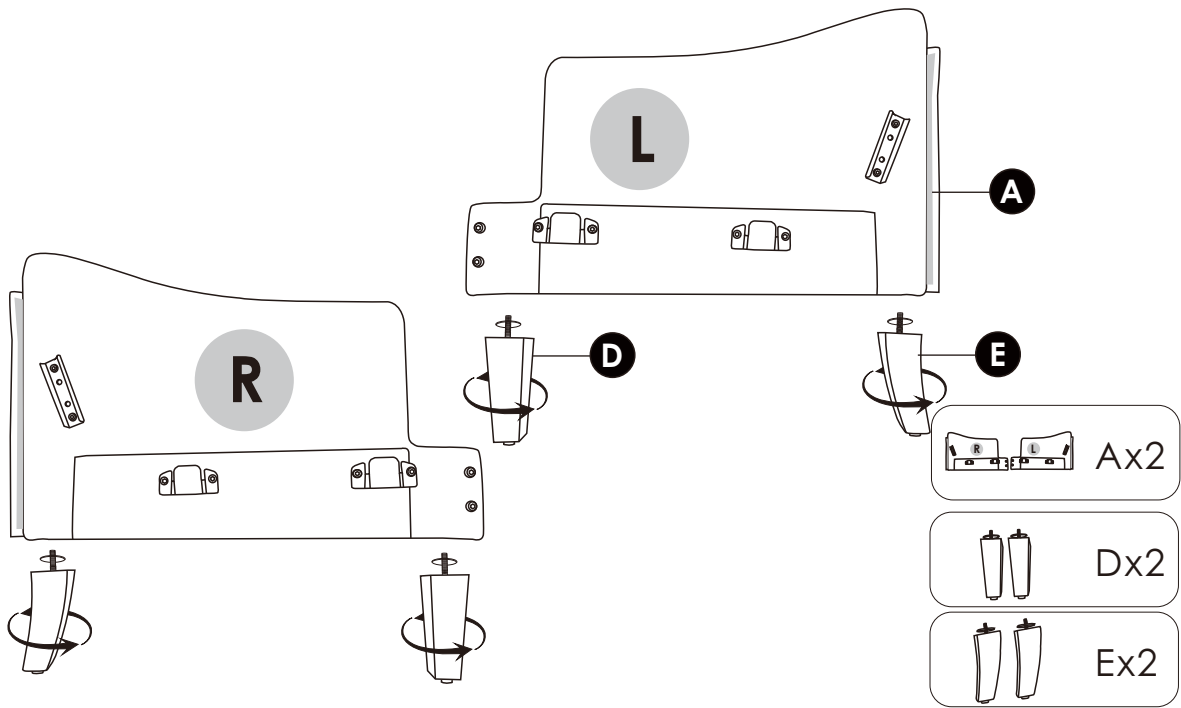
Components List

<p>A Armrest</p>  <p>X2</p>	<p>B Seat Frame</p>  <p>X1</p>	<p>C Back Frame</p>  <p>X1</p>
<p>D Front Leg</p>  <p>X2</p>	<p>E Back Leg</p>  <p>X2</p>	<p>F Front Metal Frame</p>  <p>X1</p>
<p>G Small Pillow</p>  <p>X2</p>	<p>H Seat Cushion</p>  <p>X1</p>	<p>I Back Cushion</p>  <p>X1</p>
<p>J Hex Wrench</p>  <p>X1</p>		

Assembly Instruction

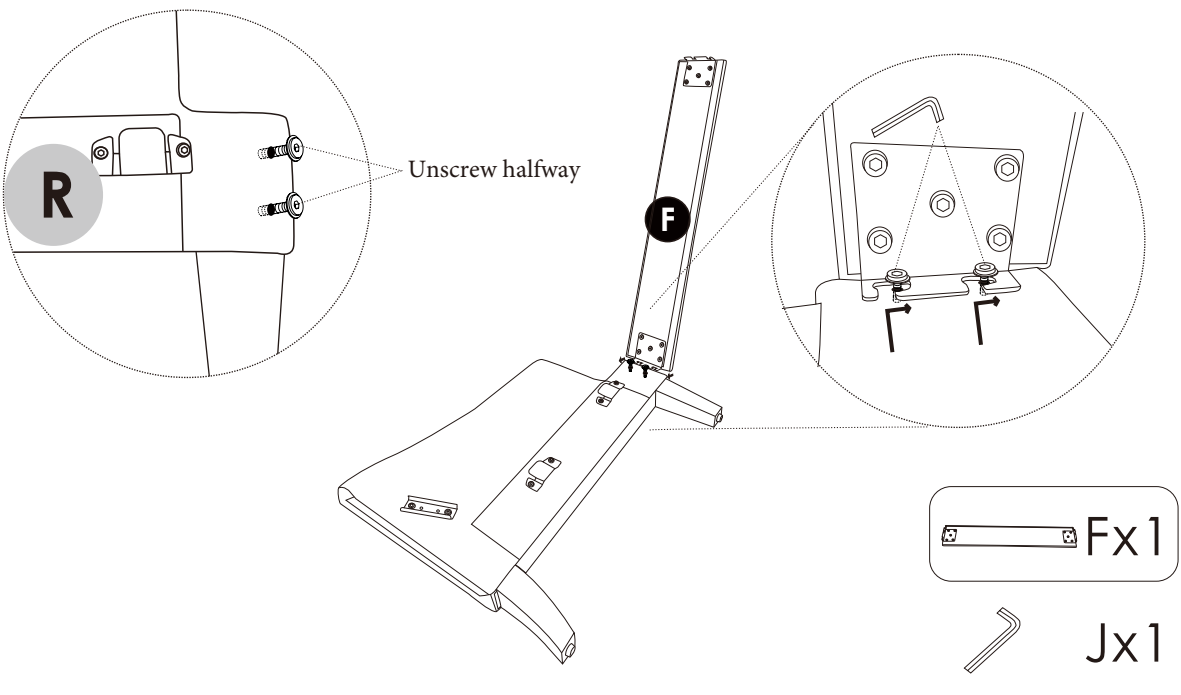
1

Screw the front and back legs into the holes at the bottom of the armrest.



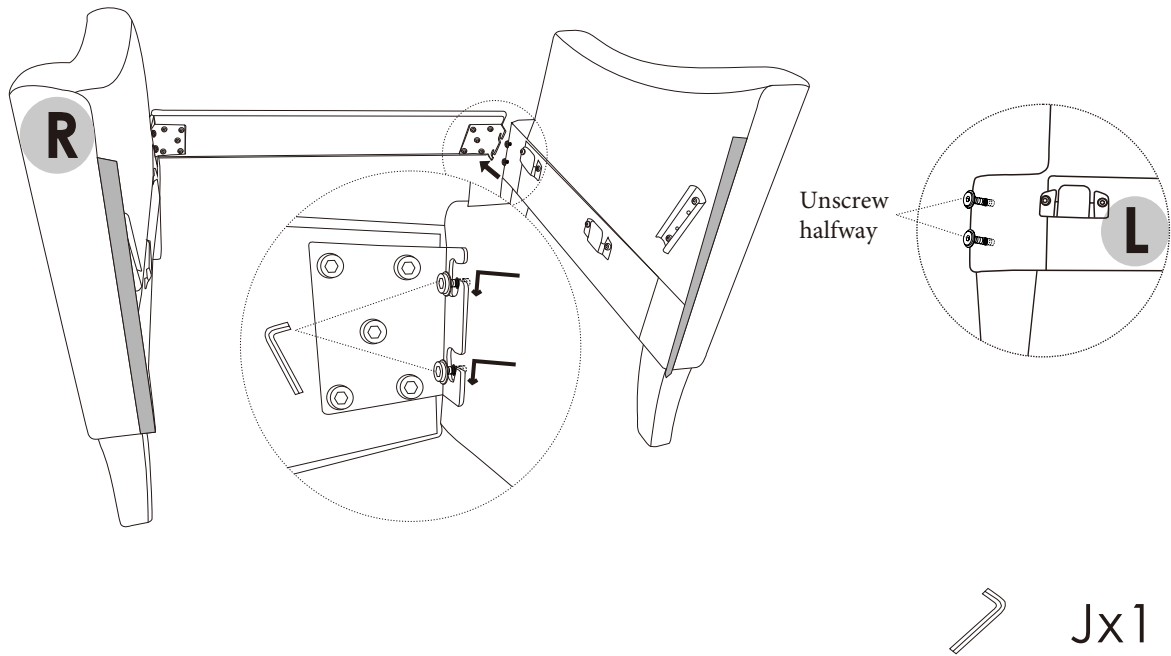
2

Unscrew 1/2 pre-installed screws at the front end of the right armrest, then hang the front panel onto the screws and tighten them.



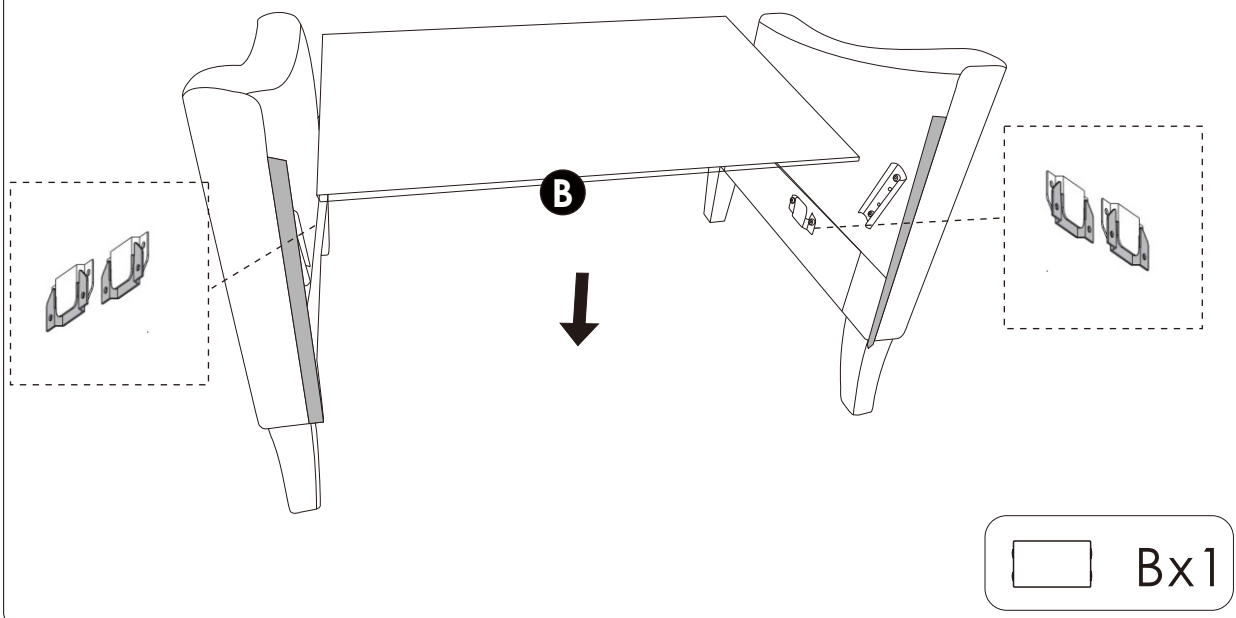
3

Unscrew 1/2 screws at the front end of the left armrest, then hang the front panel onto the screws and tighten them.



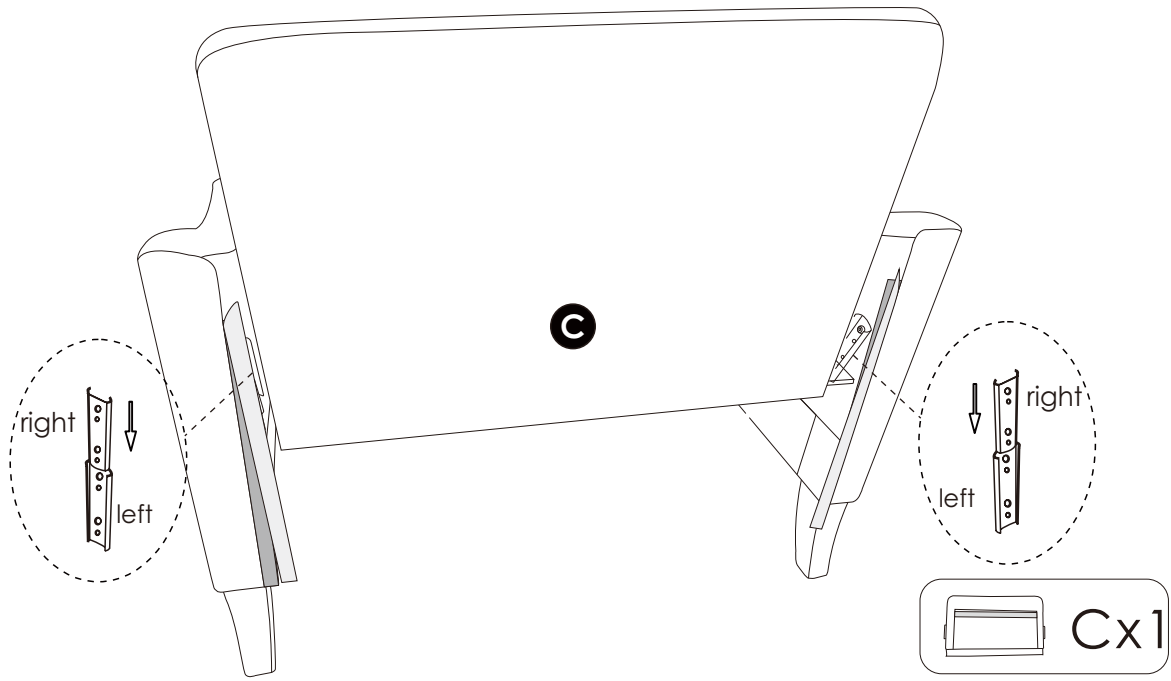
4

Place the seat frame into the inner side of the armrest and snap the clip downward to secure it.



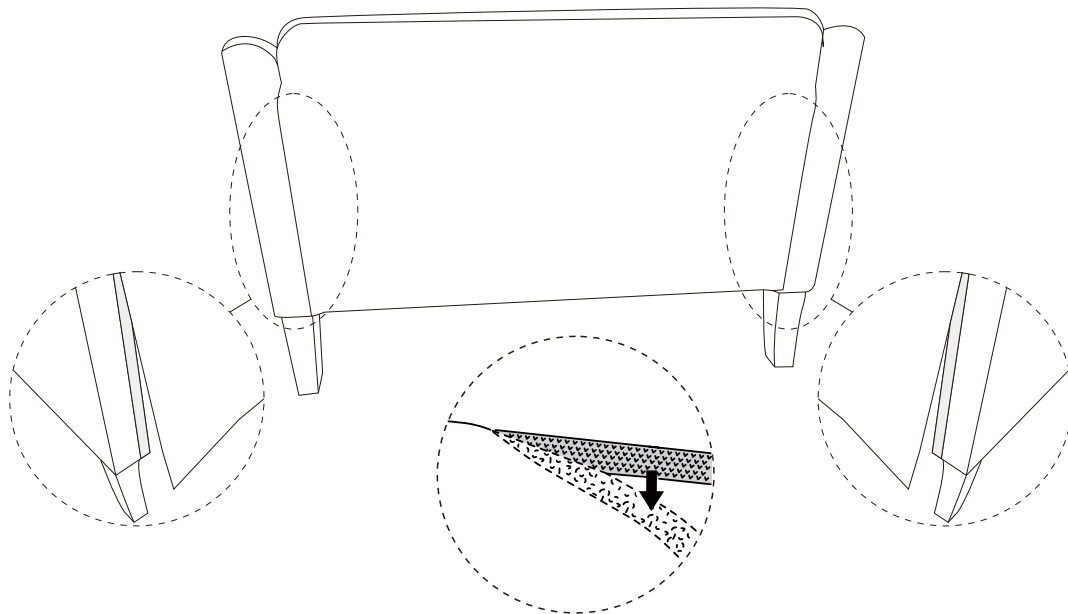
5

Insert the back frame into the clip on the inner side of the armrest, then press down to secure it.



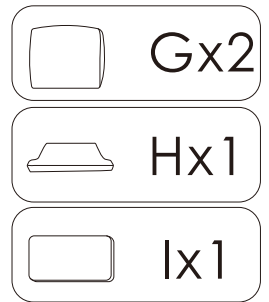
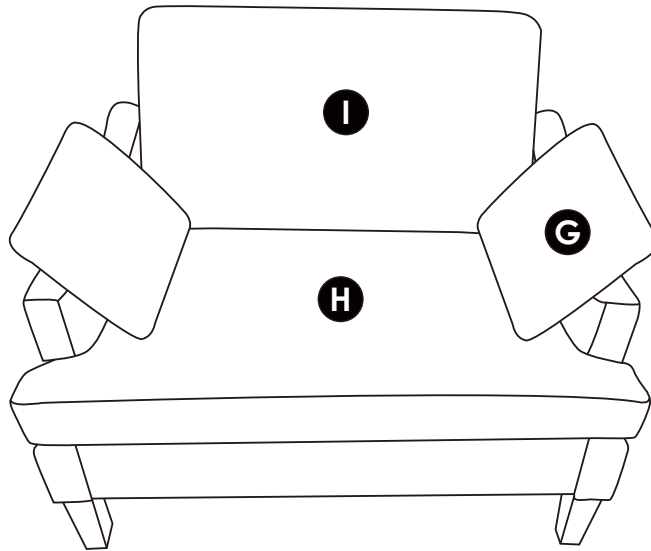
6

Attach the Velcro on the back frame's skirt to the Velcro on the armrest, ensuring they are securely connected.



7

Place the seat cushion, back cushion, and small throw pillow in sequence.



8

Installation complete.

