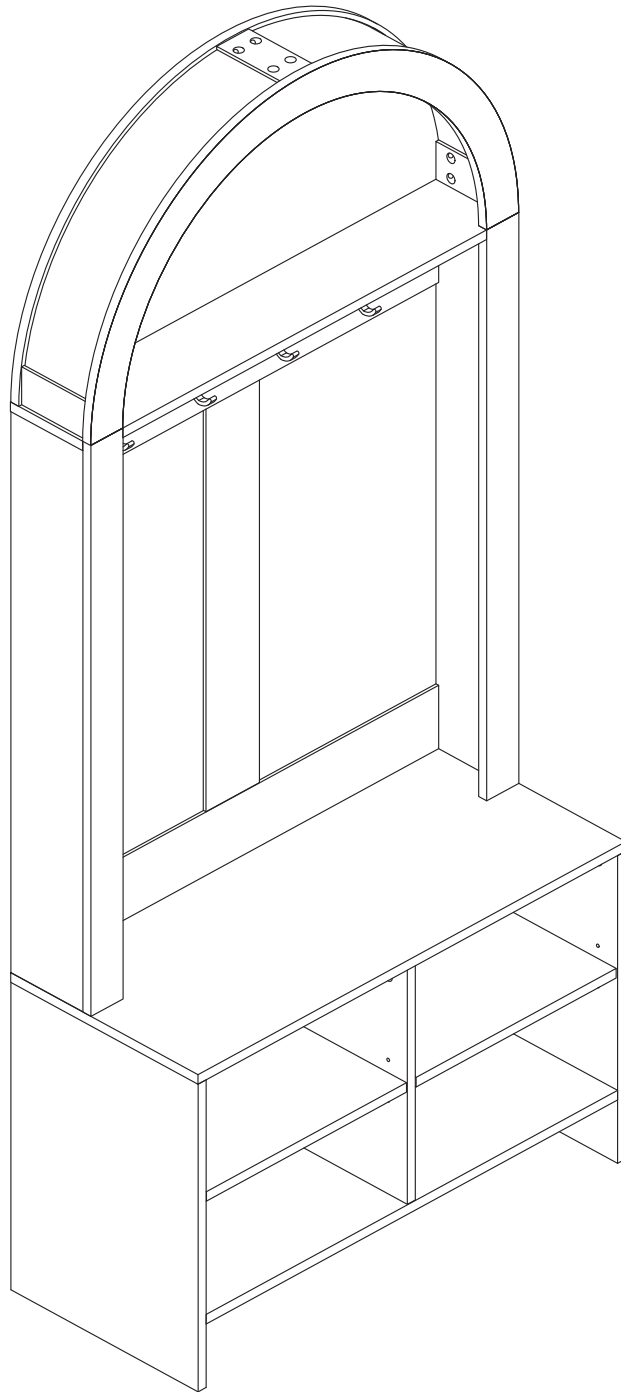


Assembly Instructions

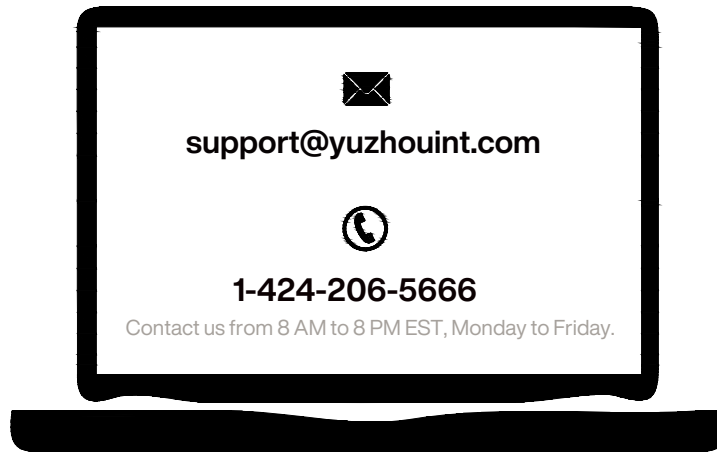


Coat Rack

Model No.
HOGA-RY0364

Contact Us

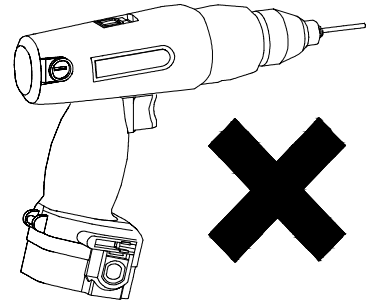
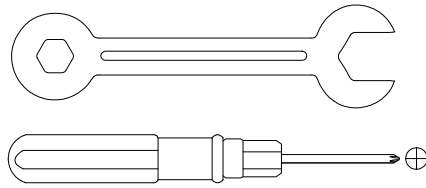
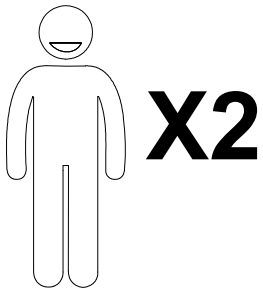
We're here to help you.



Your satisfaction is our top priority. If you encounter any issues with this product, such as missing or damaged parts, we're here to help. Please retain the original packaging and take photos of the packaging and the product, then contact us as soon as possible.

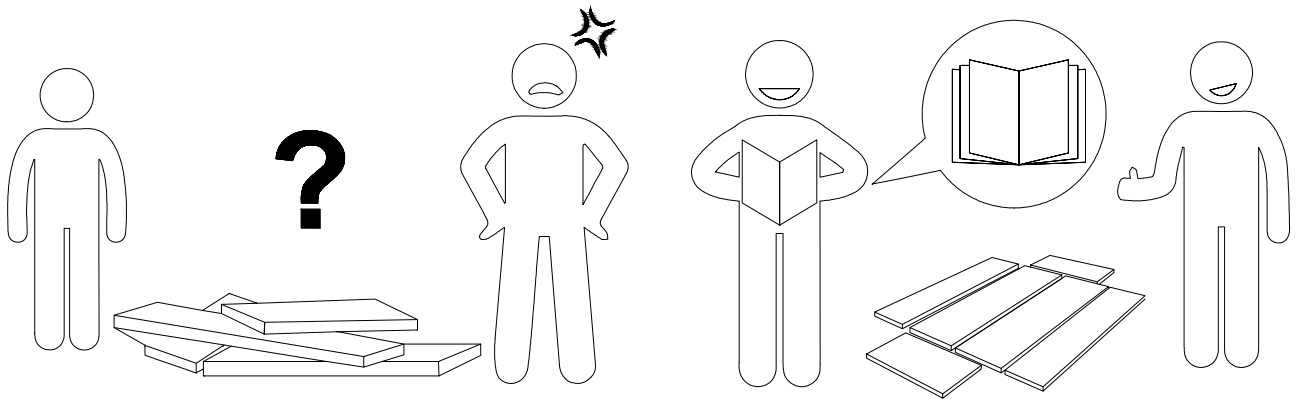
Warm Tips

1. Carefully read these instructions and keep them for future reference.
2. Check the parts list and confirm everything's there before starting assembly.
3. When assembling, put all parts on a soft, smooth surface like a carpet to avoid scratches.
4. Don't fully tighten screws until all parts are confirmed in place to avoid misalignment.



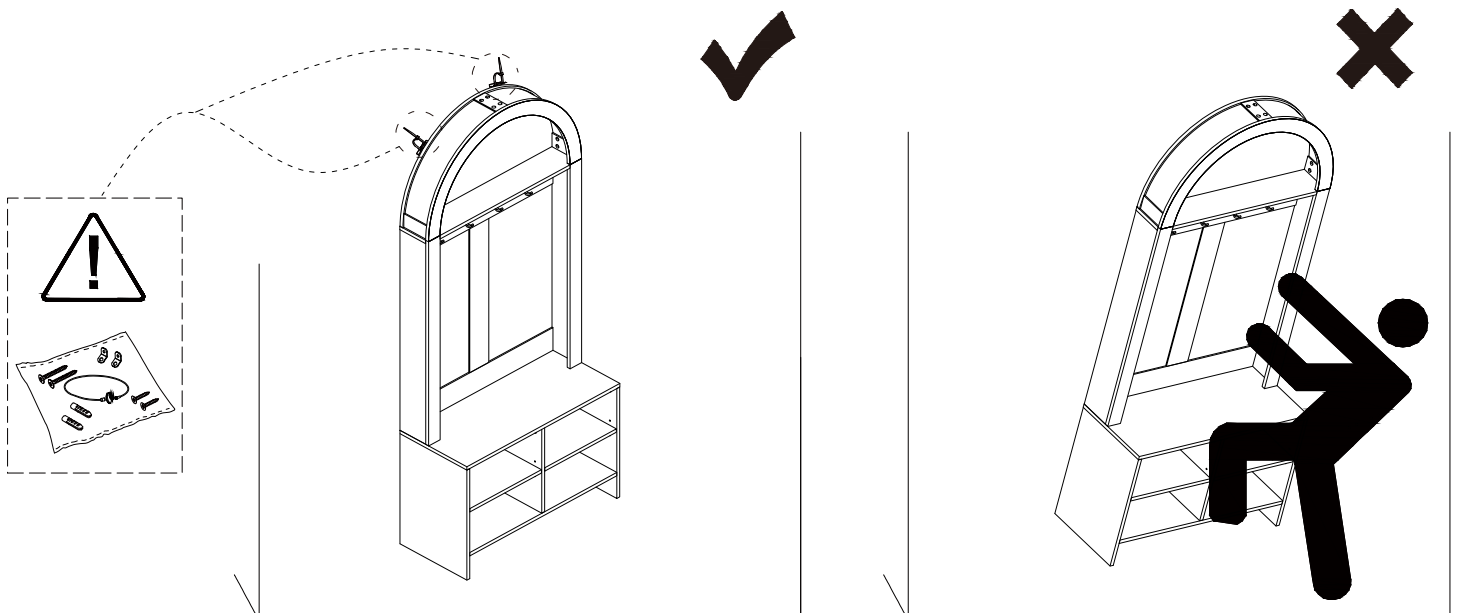
We recommend using hand tools for assembly.

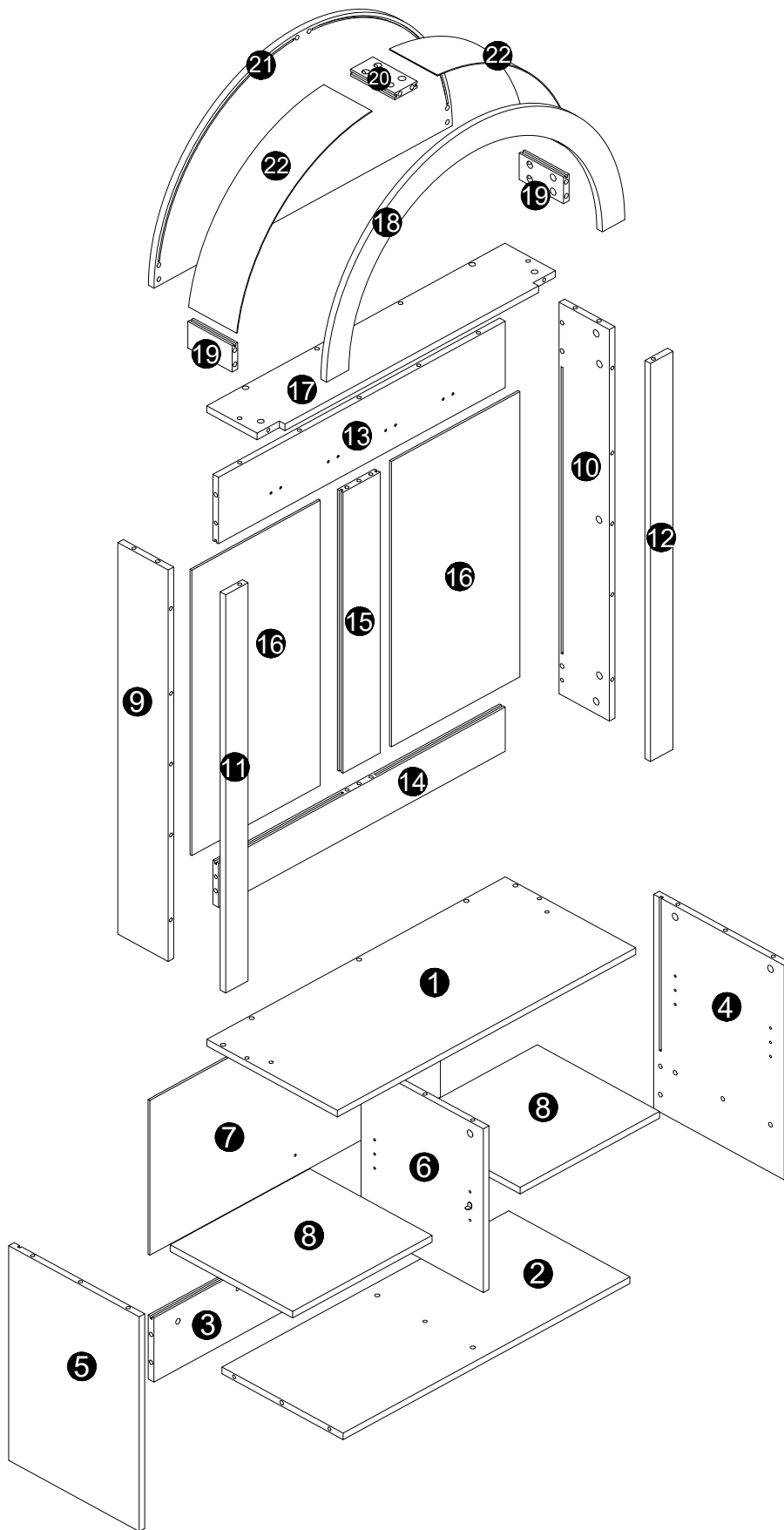
If an electric screwdriver is used, reduce power and torque to avoid damage to the product.



Install the Anti-Tip Straps

Using the anti-tip straps can reduce the risk of tipping over, but can not eliminate it.

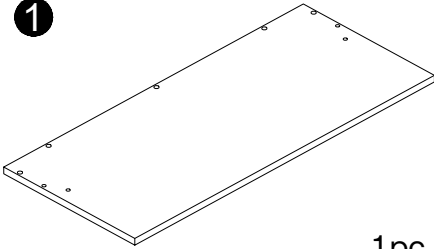
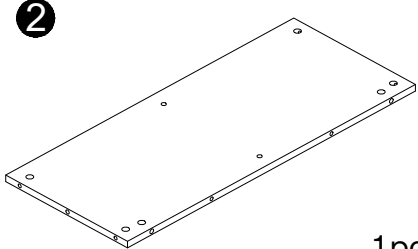
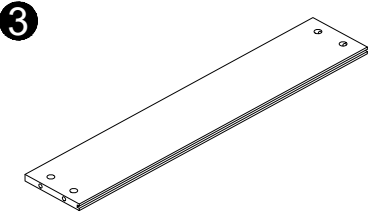
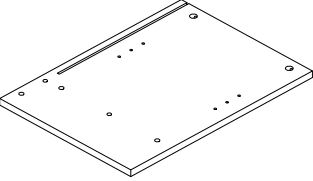
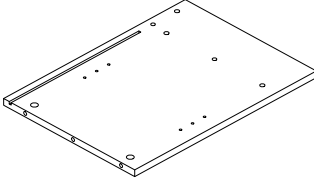
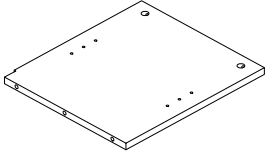
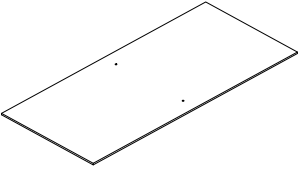
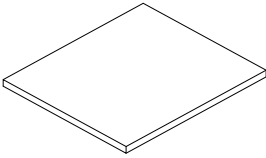
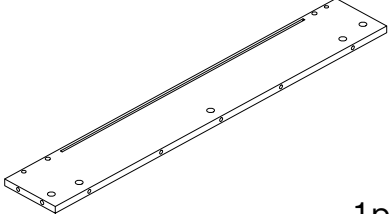
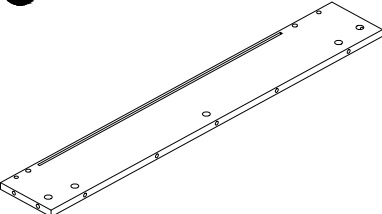
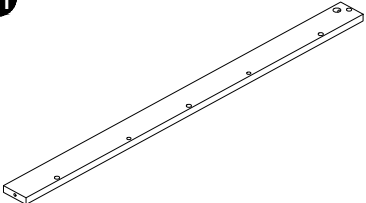
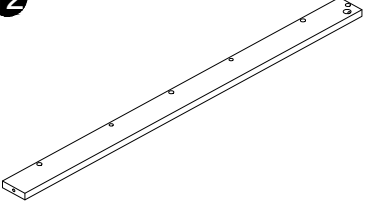
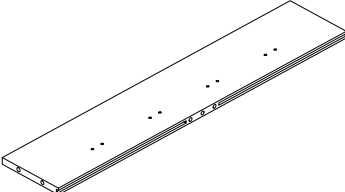
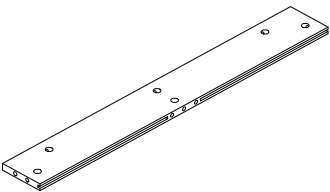
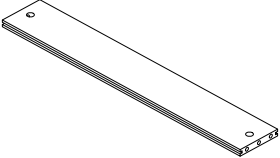
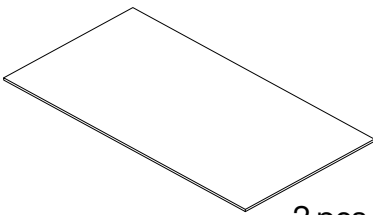
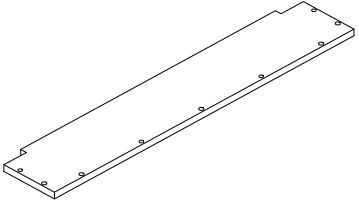
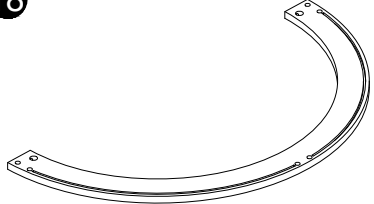




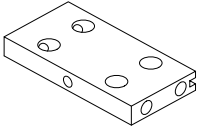
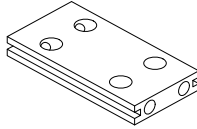
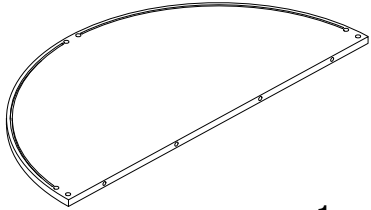
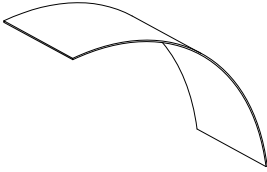
⚠ Caution

Make sure all parts are included. Most board parts are labeled or stamped on the raw edge. Contact us for a free replacement if you encounter any damaged or missing parts.

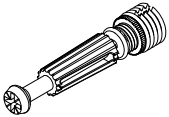
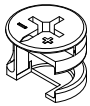




Parts List

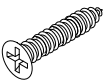
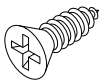
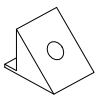
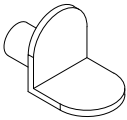

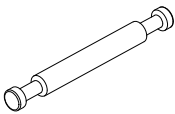
 <p>1</p> <p>1pc</p>	 <p>2</p> <p>1pc</p>	 <p>3</p> <p>1pc</p>
 <p>4</p> <p>1pc</p>	 <p>5</p> <p>1pc</p>	 <p>6</p> <p>1pc</p>
 <p>7</p> <p>1pc</p>	 <p>8</p> <p>2 pcs</p>	 <p>9</p> <p>1pc</p>
 <p>10</p> <p>1pc</p>	 <p>11</p> <p>1pc</p>	 <p>12</p> <p>1pc</p>
 <p>13</p> <p>1pc</p>	 <p>14</p> <p>1pc</p>	 <p>15</p> <p>1pc</p>
 <p>16</p> <p>2 pcs</p>	 <p>17</p> <p>1pc</p>	 <p>18</p> <p>1pc</p>


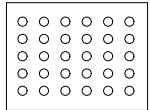
Parts List

<p>19</p>  <p>2 pcs</p>	<p>20</p>  <p>1 pc</p>	<p>21</p>  <p>1 pc</p>
<p>22</p>  <p>2 pcs</p>		

Hardware List

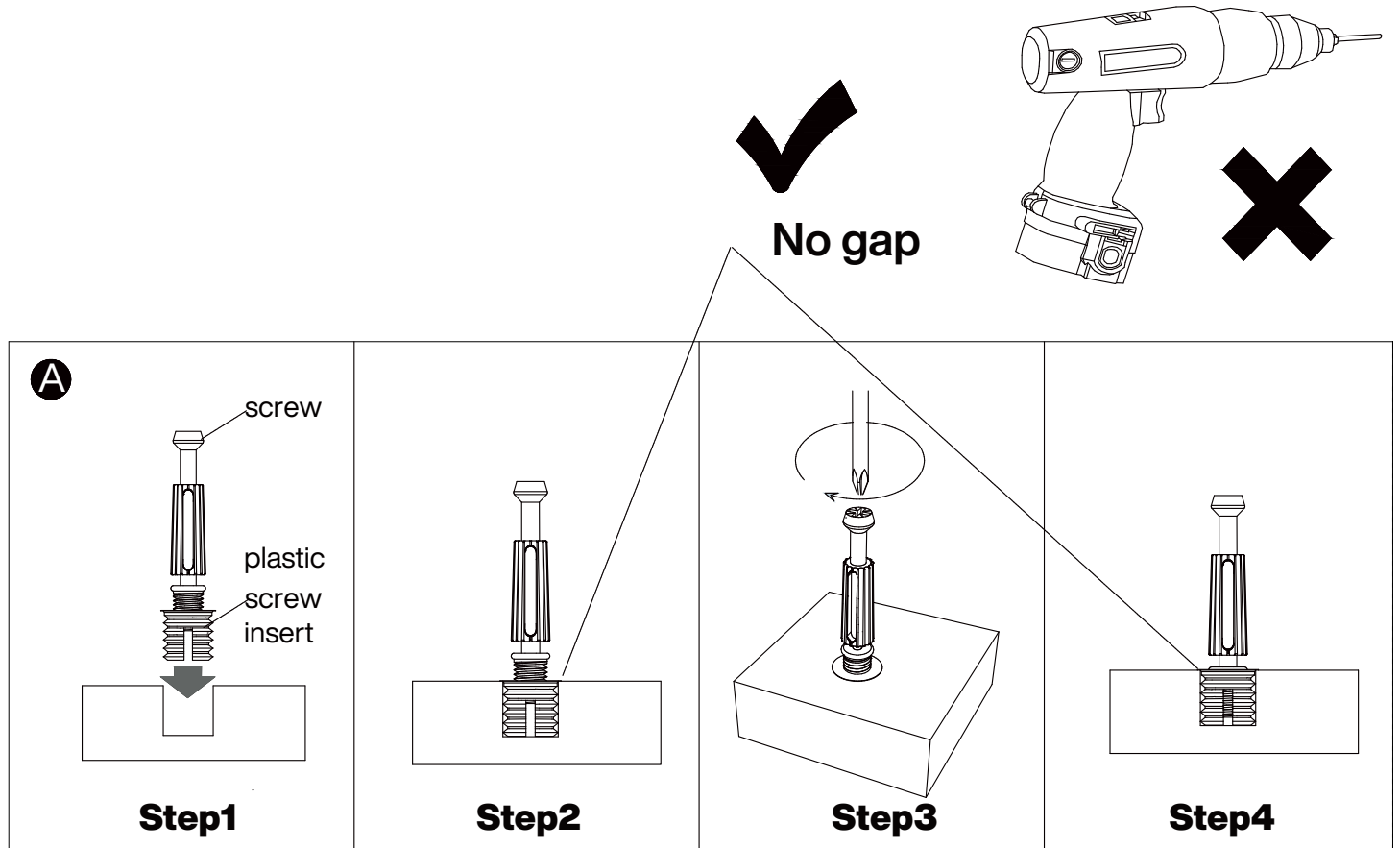
A	B	C	D	E	F
 <p>Ø6x40mm</p>	 <p>Ø15x12mm</p>	 <p>2 pcs</p>	 <p>Ø8x30mm</p>	 <p>Ø7x38mm</p>	 <p>Ø15x2mm</p>
52+1 pcs	60+1 pcs		30+1 pcs	4+1 pcs	6+1 pcs

G	H	I	J	K	L
 <p>Ø3.5x20mm</p>	 <p>Ø3.5x14mm</p>	 <p>20 pcs</p>	 <p>8+1 pcs</p>	 <p>4 pcs</p>	 <p>4 pcs</p>
2+1 pcs	28+2 pcs				

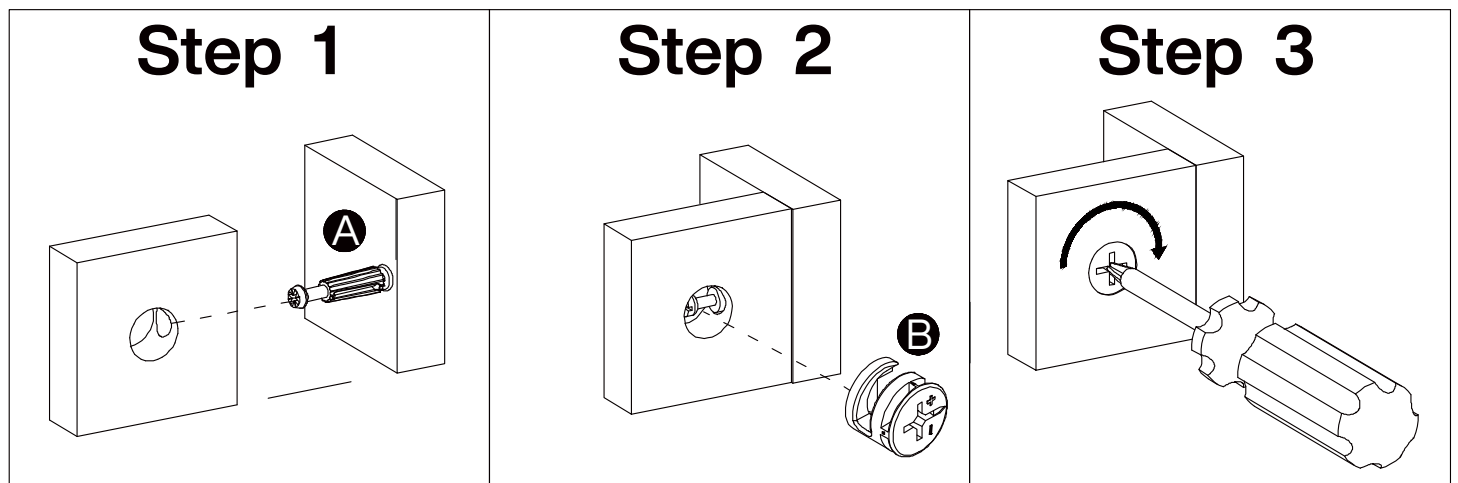
M	N
 <p>1 pc</p>	 <p>Ø22</p>
	50 pcs

Installation of Cams and Pins

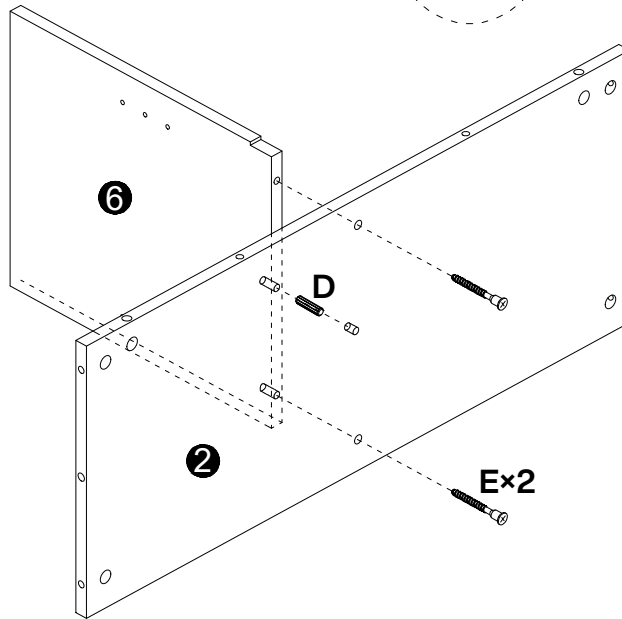
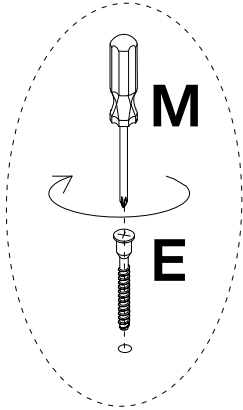
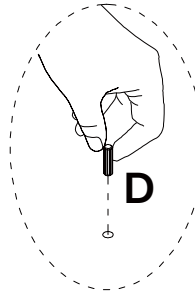
Step 1-2: Align the plastic part with the mounting hole and press it in. If you can't press it in, loosen the screw counter clockwise or completely remove the screw from the plastic part and try again.
Step 3-4: After pressing the plastic part into place, use a screwdriver to tighten the screw clockwise.



Screw the pin into the hole. Set the cams correctly by aligning the head of the cams with the lock pins. Lock the cam by turning the cam head with a screwdriver until it is tightened. Please do not use an electric screwdriver to assemble the unit.



1

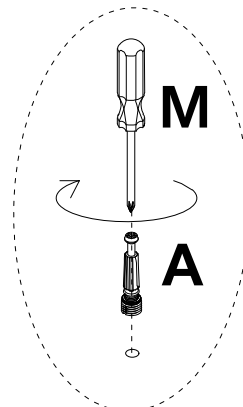
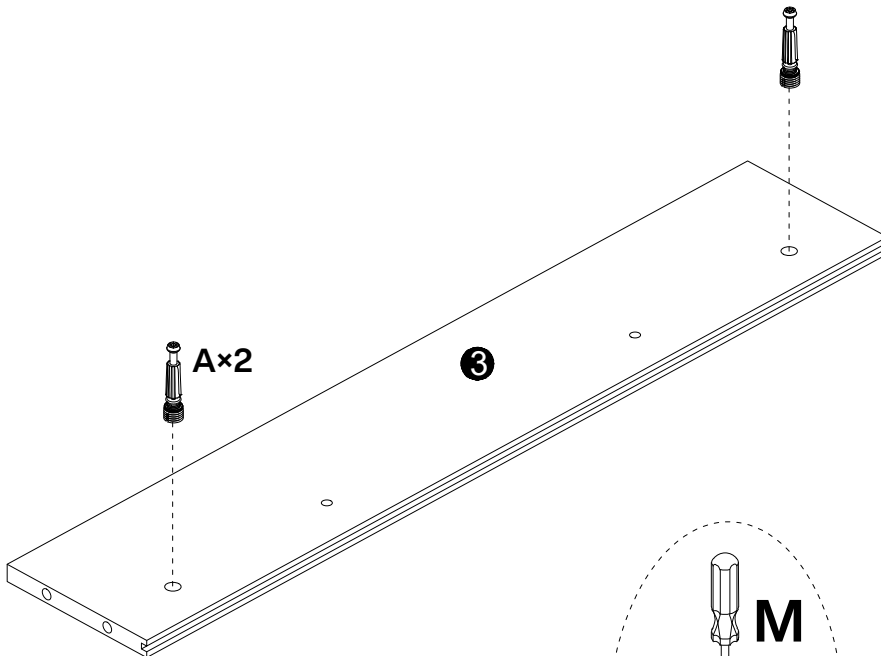


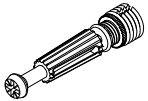

E

Ø7×38mm
2 pcs
D

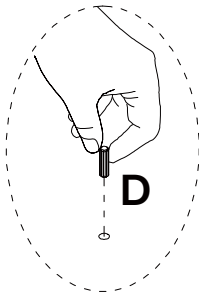
Ø8×30mm
1 pc

2



A

Ø6×40mm
2 pcs
M

1 pc

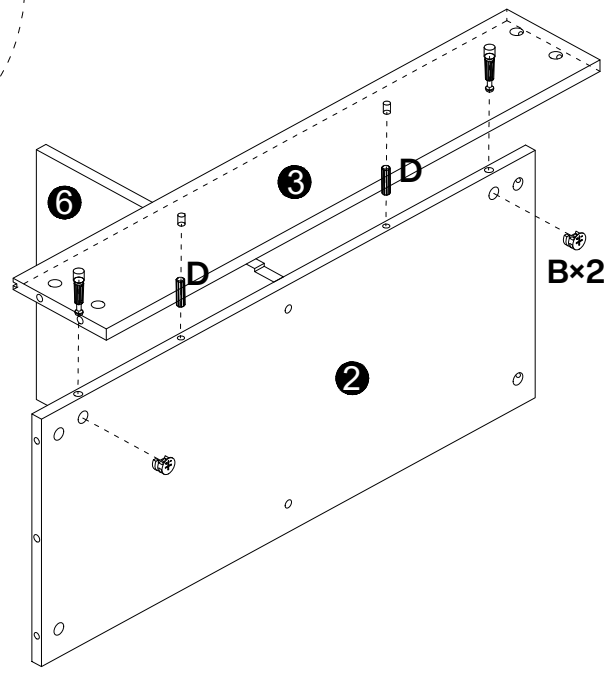
3



Step 1

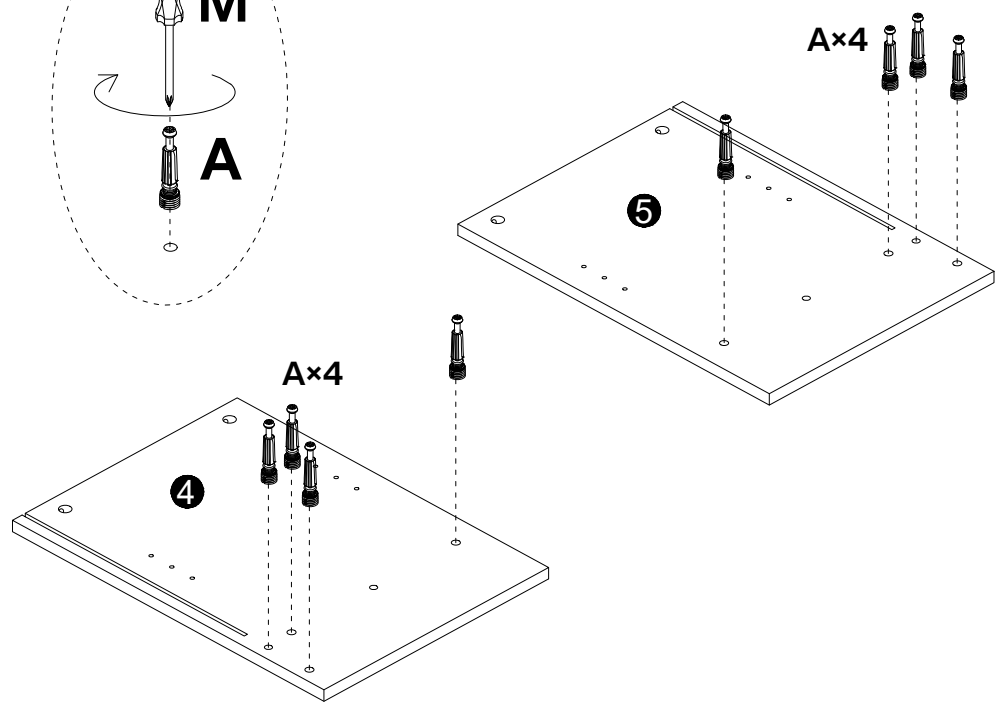
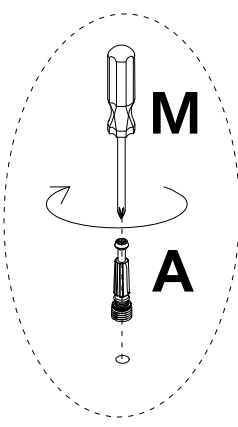
Step 2

Step 3



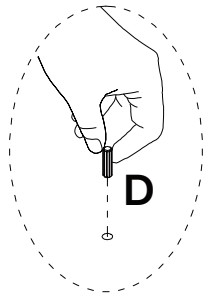
B
Ø15×12mm
2 pcs
D
Ø8×30mm
2 pcs

4



A
Ø6×40mm
8 pcs

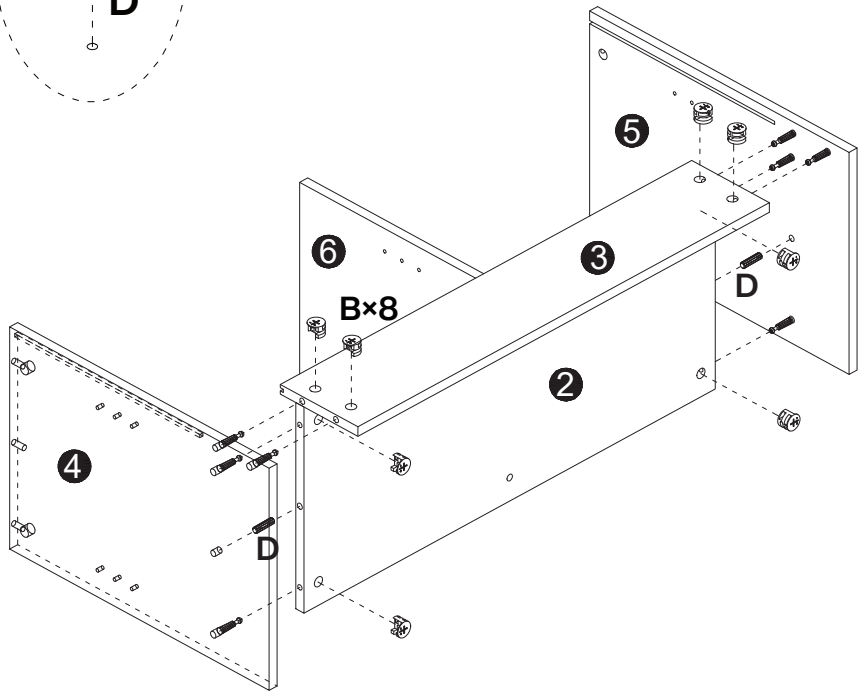
5



Step 1

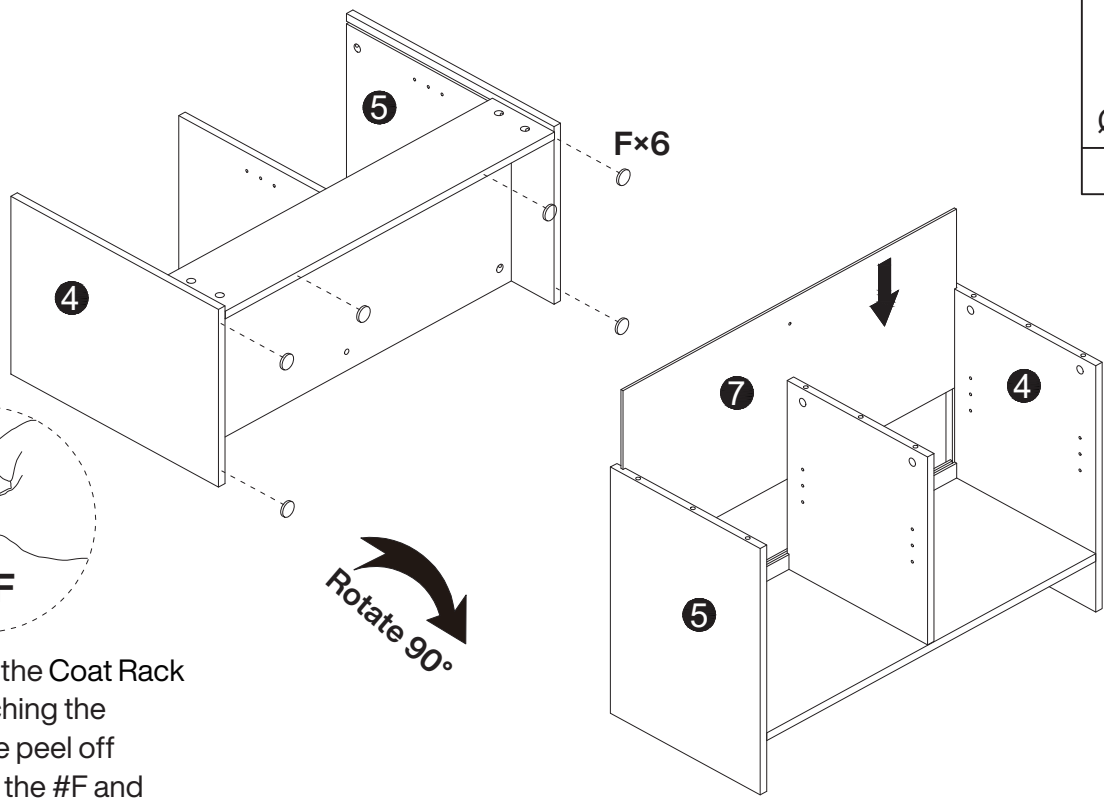
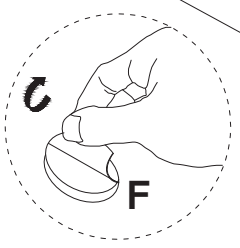
Step 2

Step 3



B
Ø15×12mm
8 pcs
D
Ø8×30mm
2 pcs

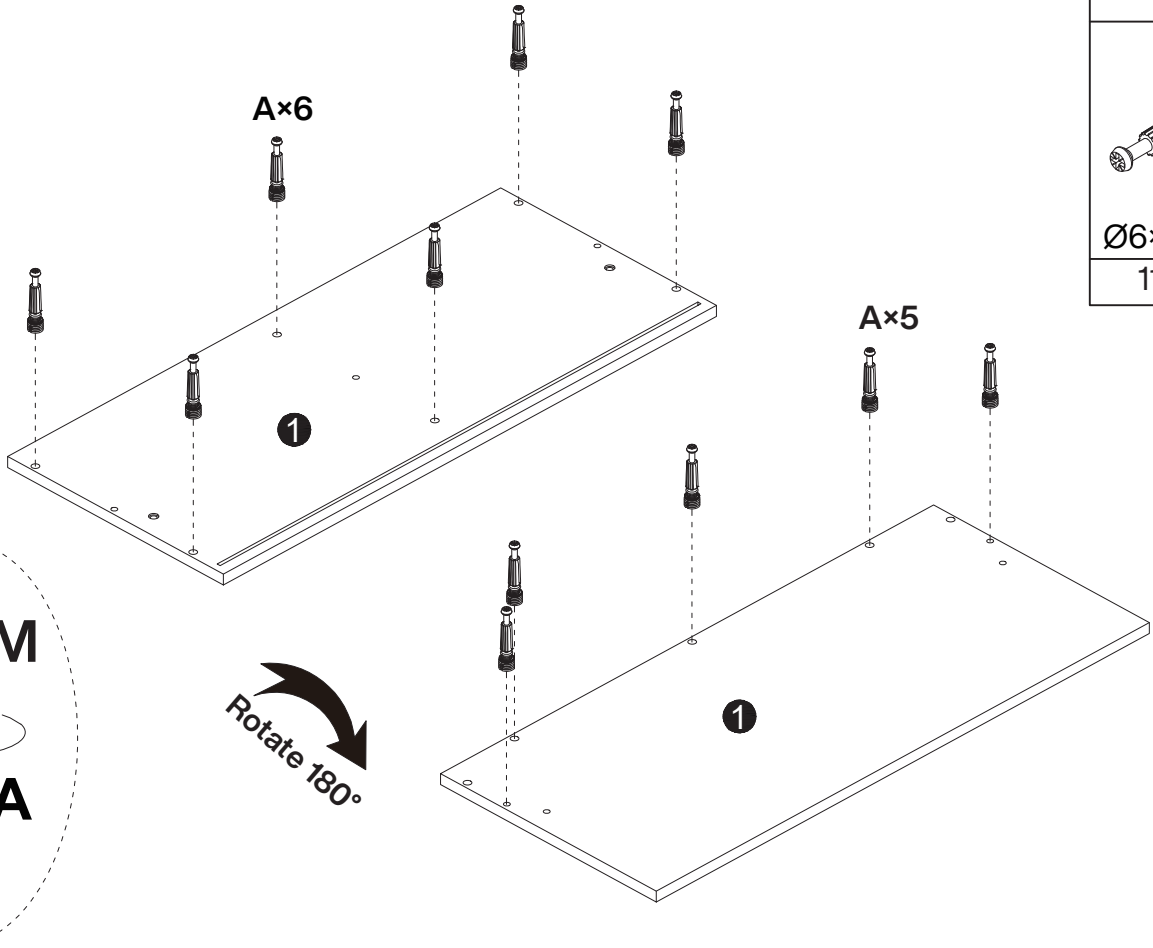
6

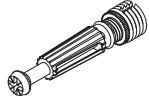


F
Ø15×2mm
6 pcs

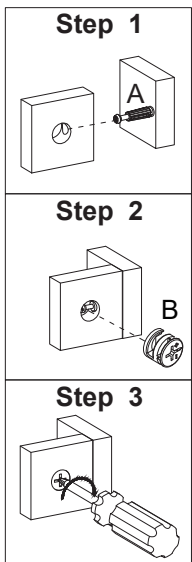
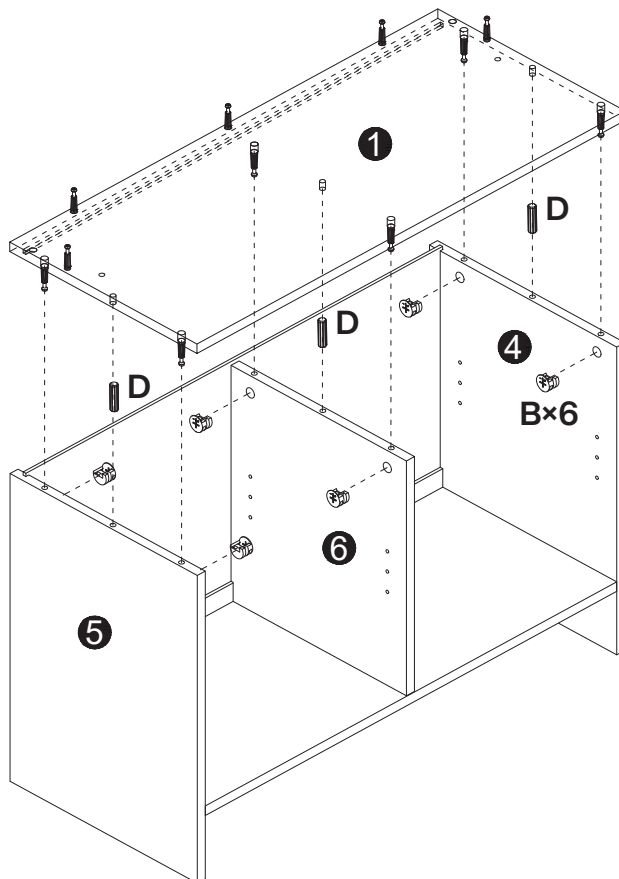
To prevent the Coat Rack from scratching the floor, please peel off the tape on the #F and tape them to the corners of the Coat Rack before use.

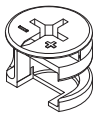
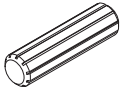
7

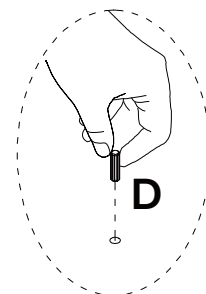


A

Ø6×40mm
11 pcs

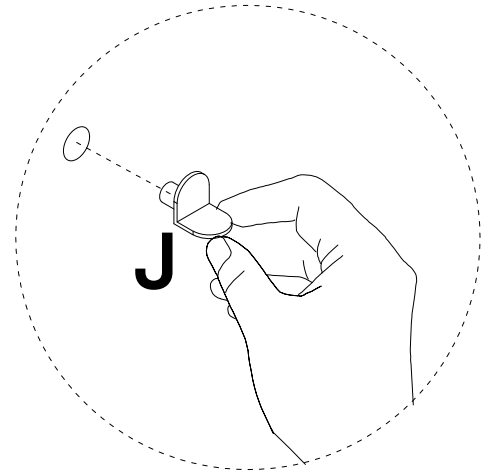
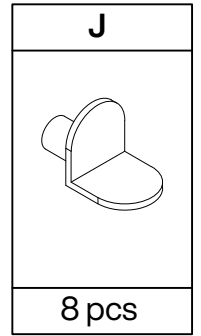
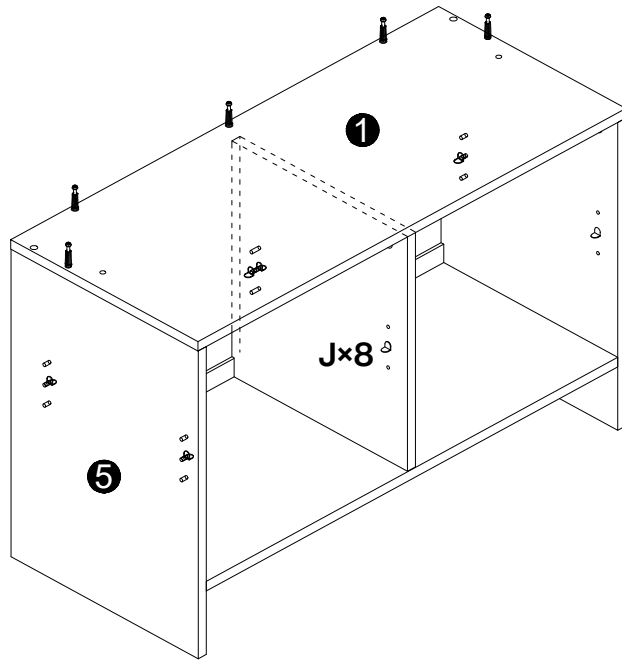
8



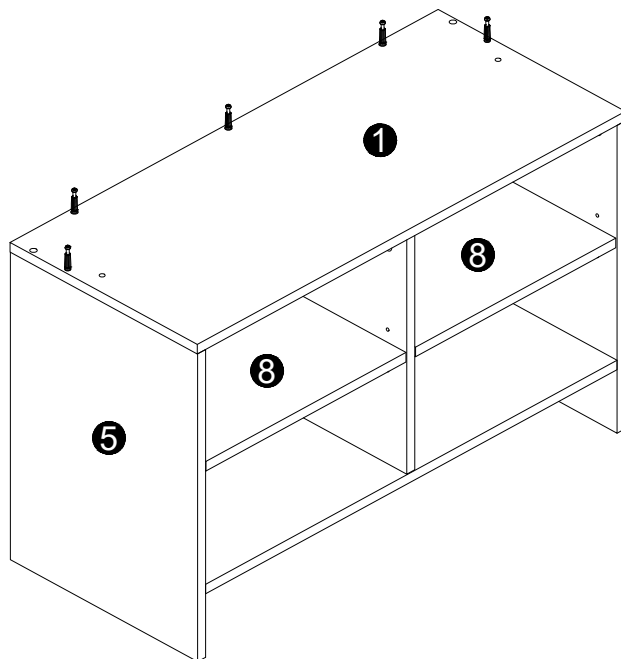
B

Ø15×12mm
6 pcs
D

Ø8×30mm
3 pcs



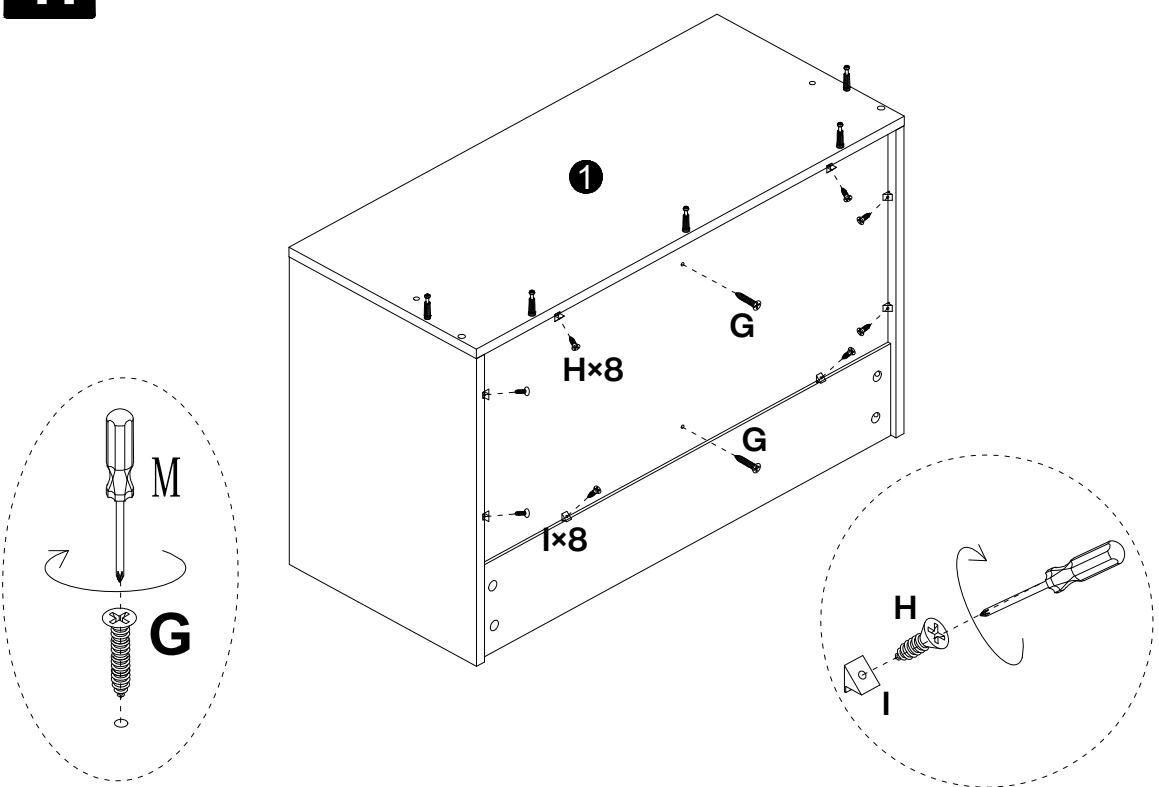
9

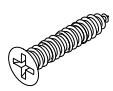


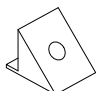
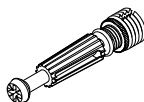
10



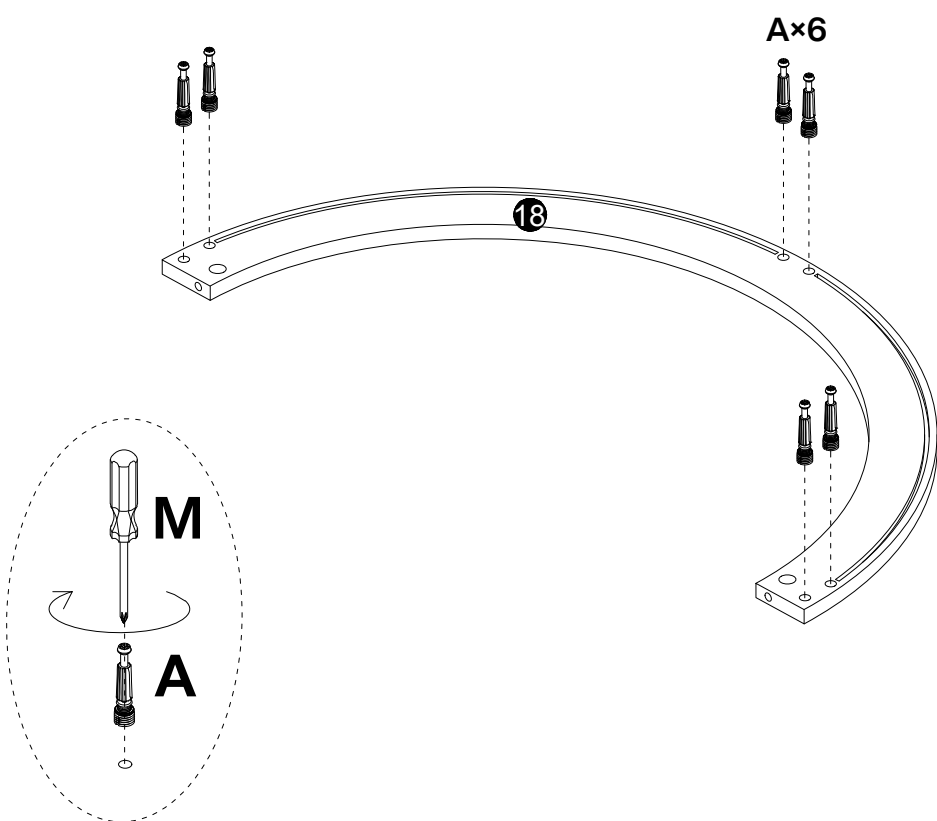
11

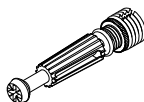


G

$\text{\O}3.5 \times 20 \text{mm}$
2 pcs
H

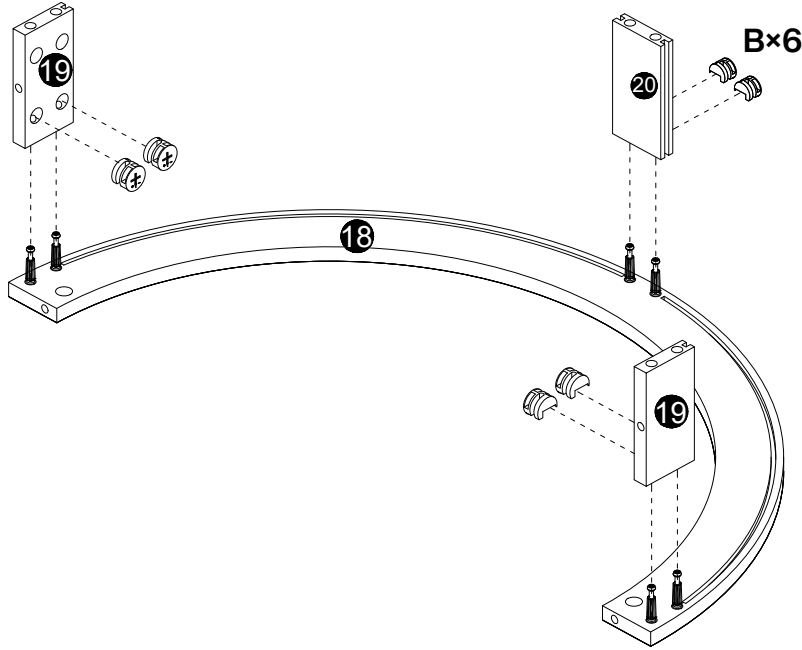
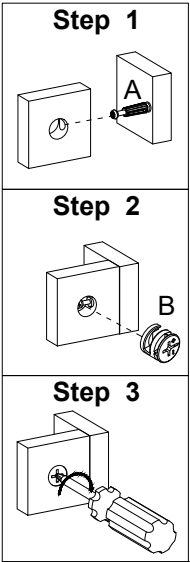
$\text{\O}3.5 \times 14 \text{mm}$
8 pcs
I

8 pcs
A

$\text{\O}6 \times 40 \text{mm}$
6 pcs

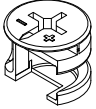
12



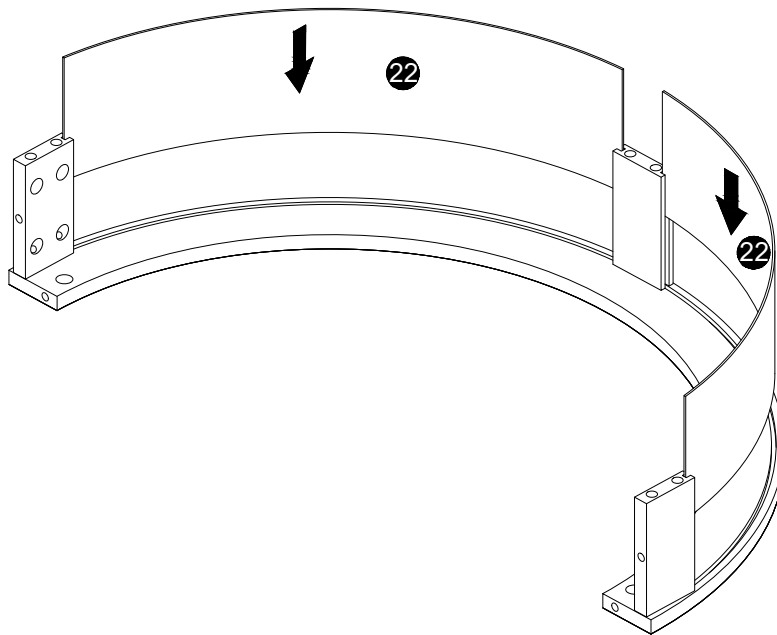
A

$\text{\O}6 \times 40 \text{mm}$
6 pcs

13

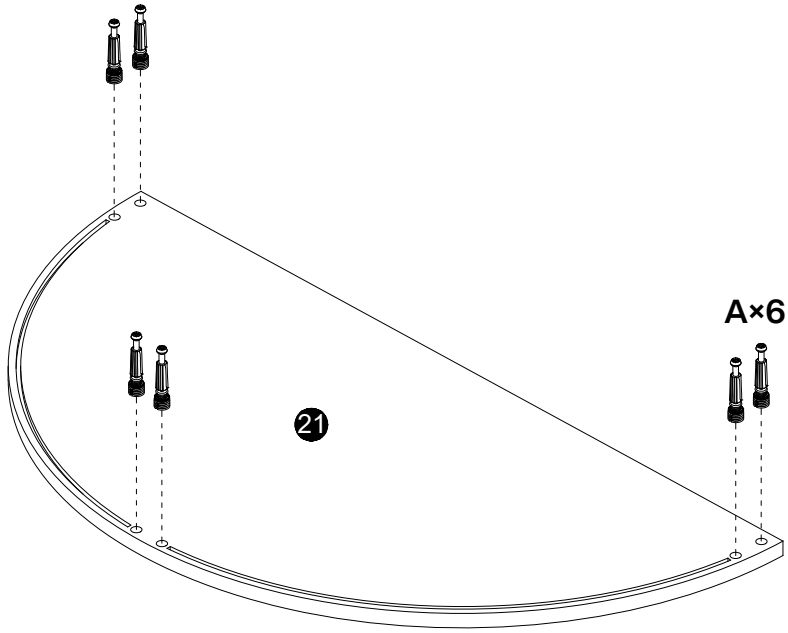
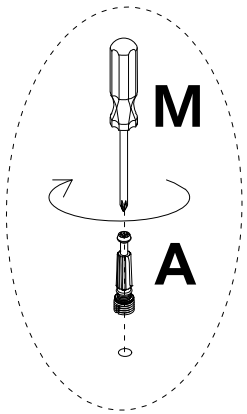


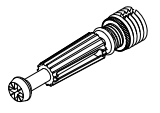
B

Ø15×12mm
6 pcs

14

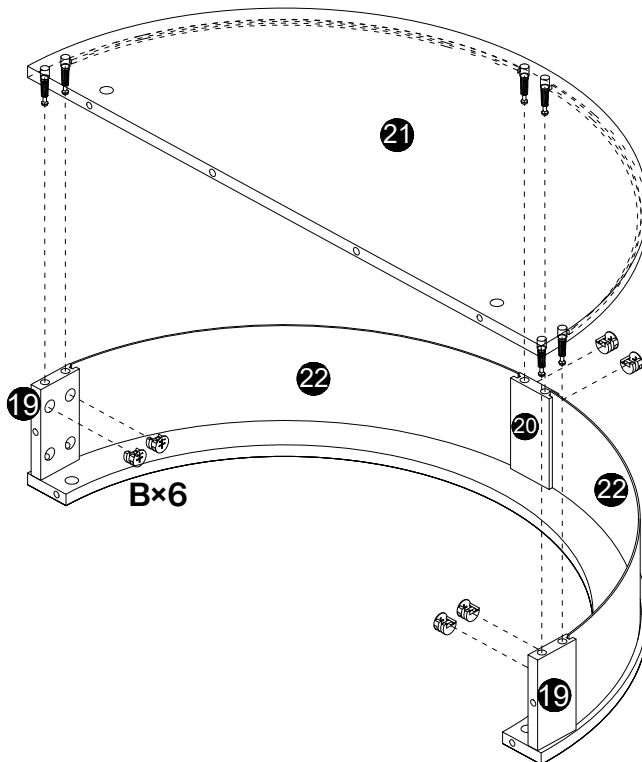
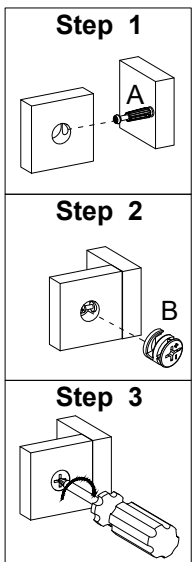


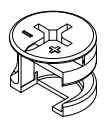
15



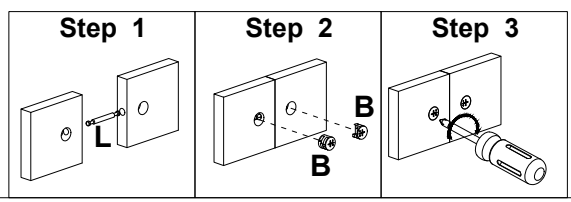
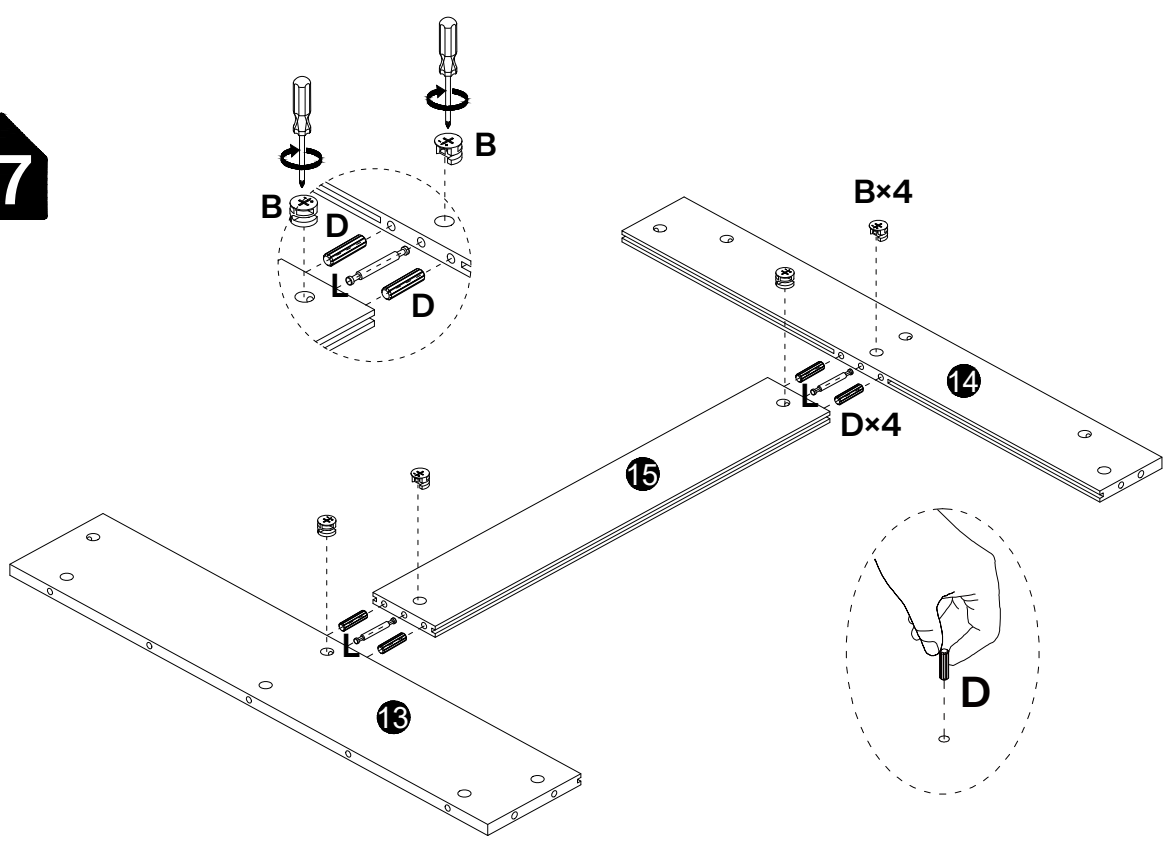
A

Ø6×40mm
6 pcs

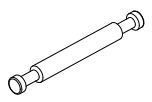
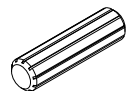
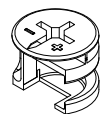
16



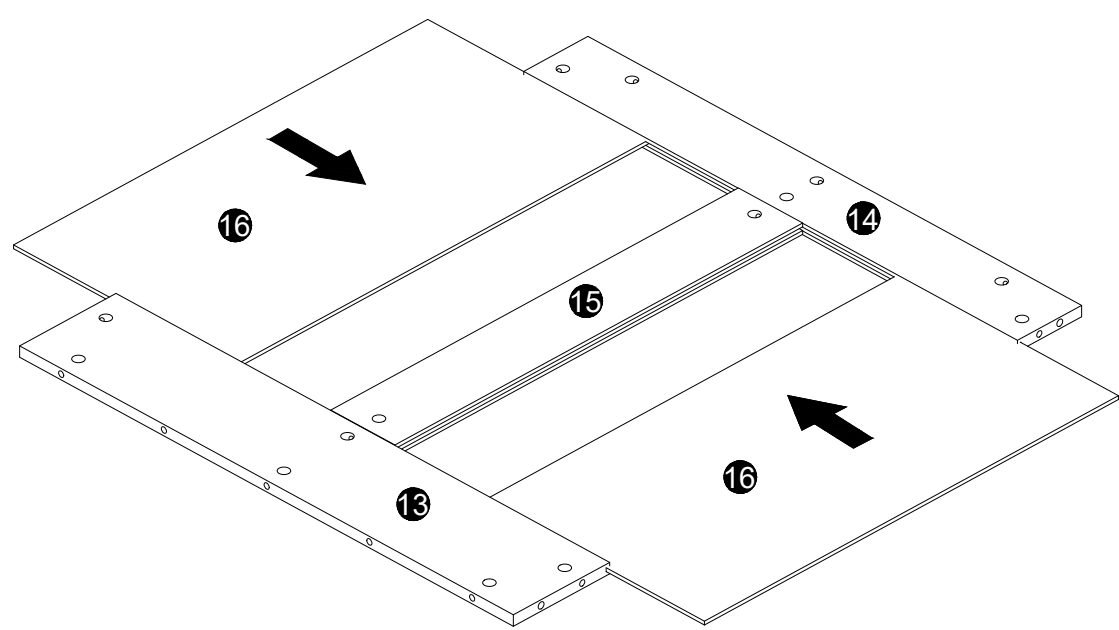
B

Ø15×12mm
6 pcs

17

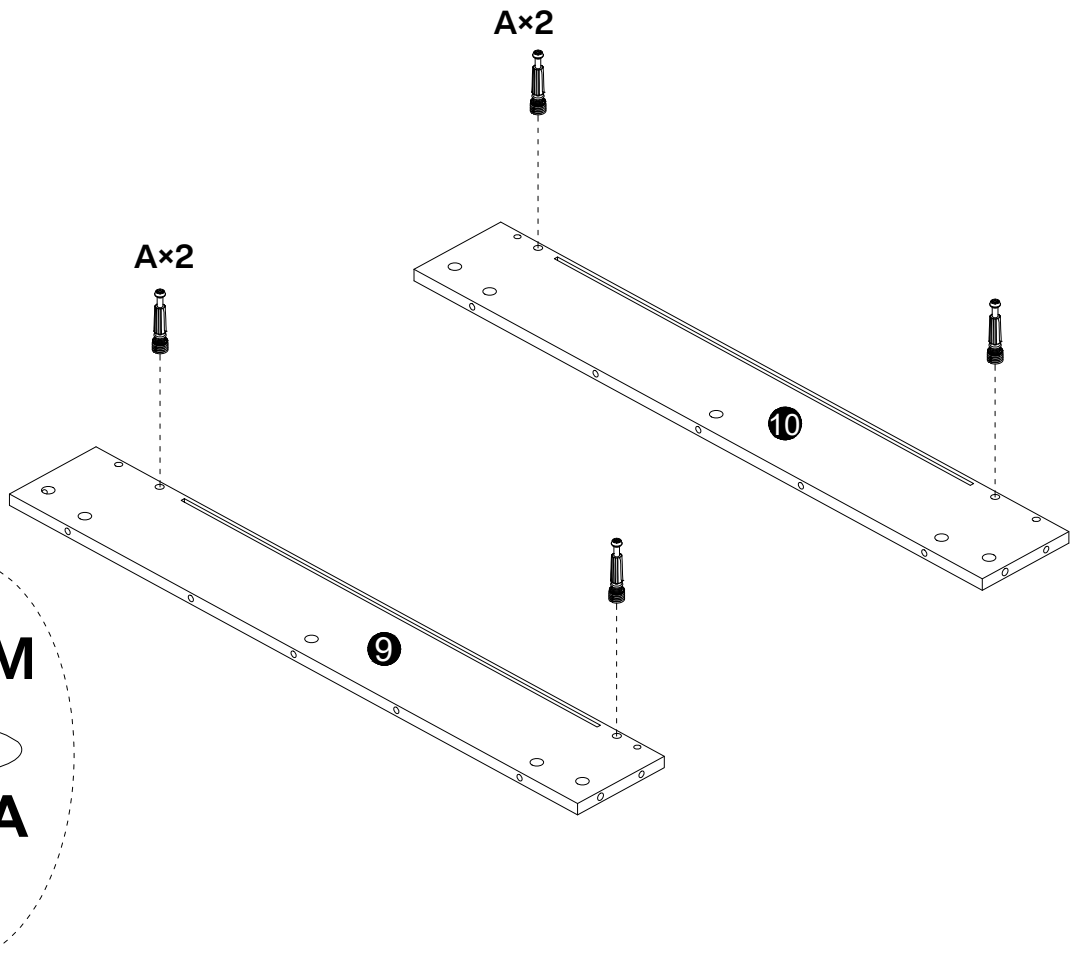


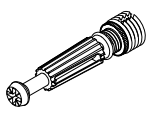
L

Ø6×48mm
2 pcs
D

Ø8×30mm
4 pcs
B

Ø15×12mm
4 pcs

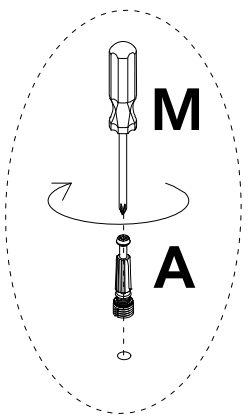
18



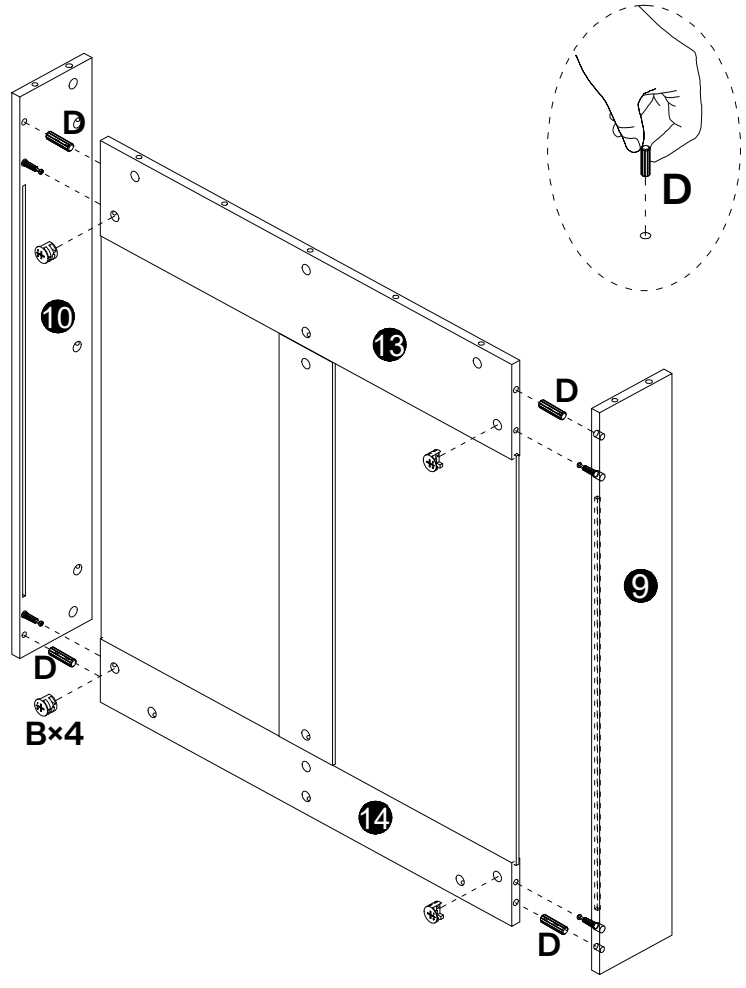
19

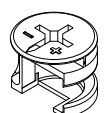


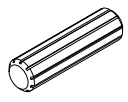
A

Ø6×40mm
4 pcs

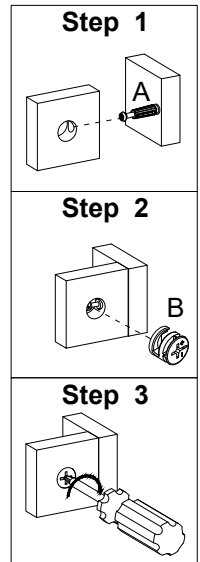


20

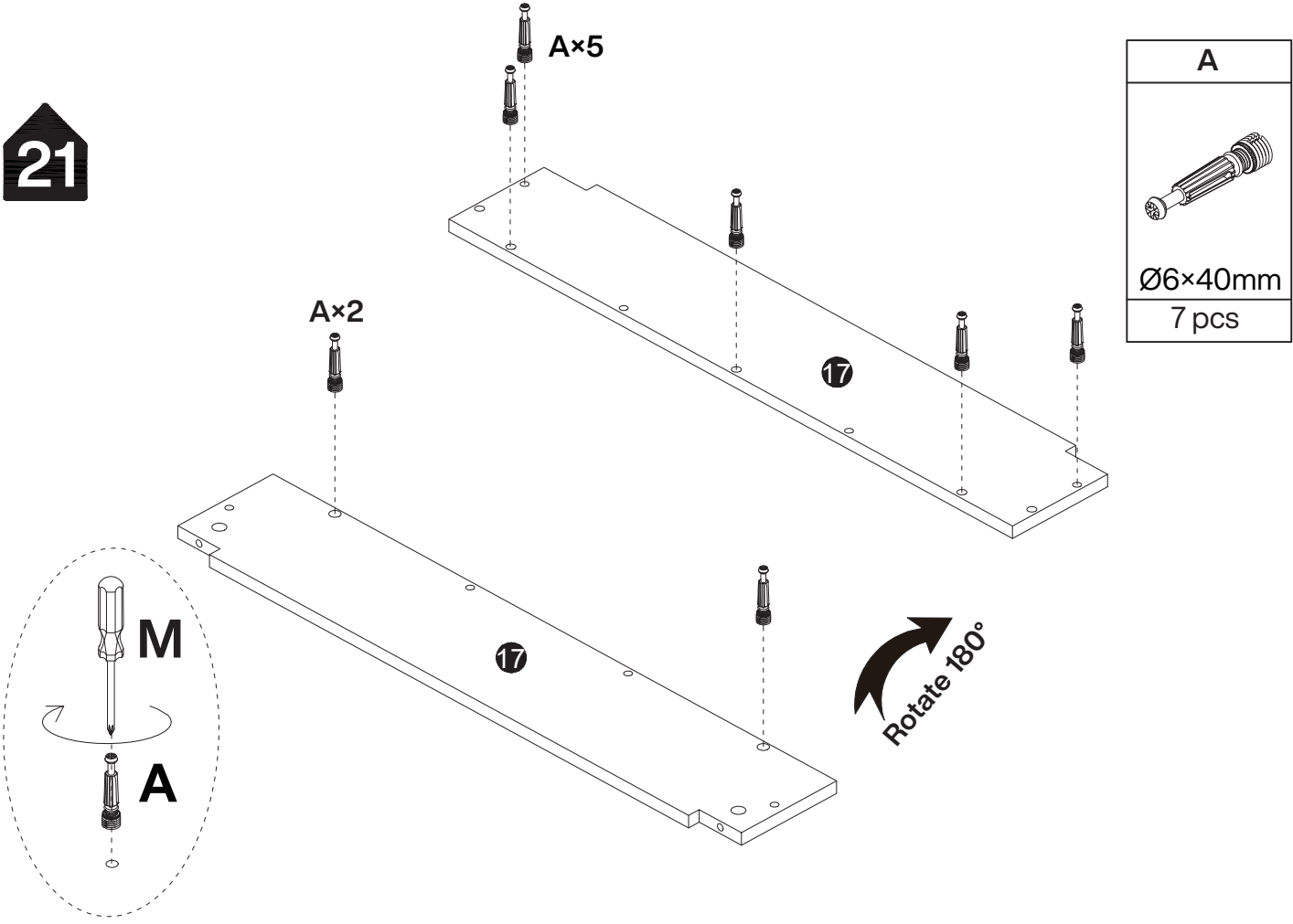


B

Ø15×12mm
4 pcs

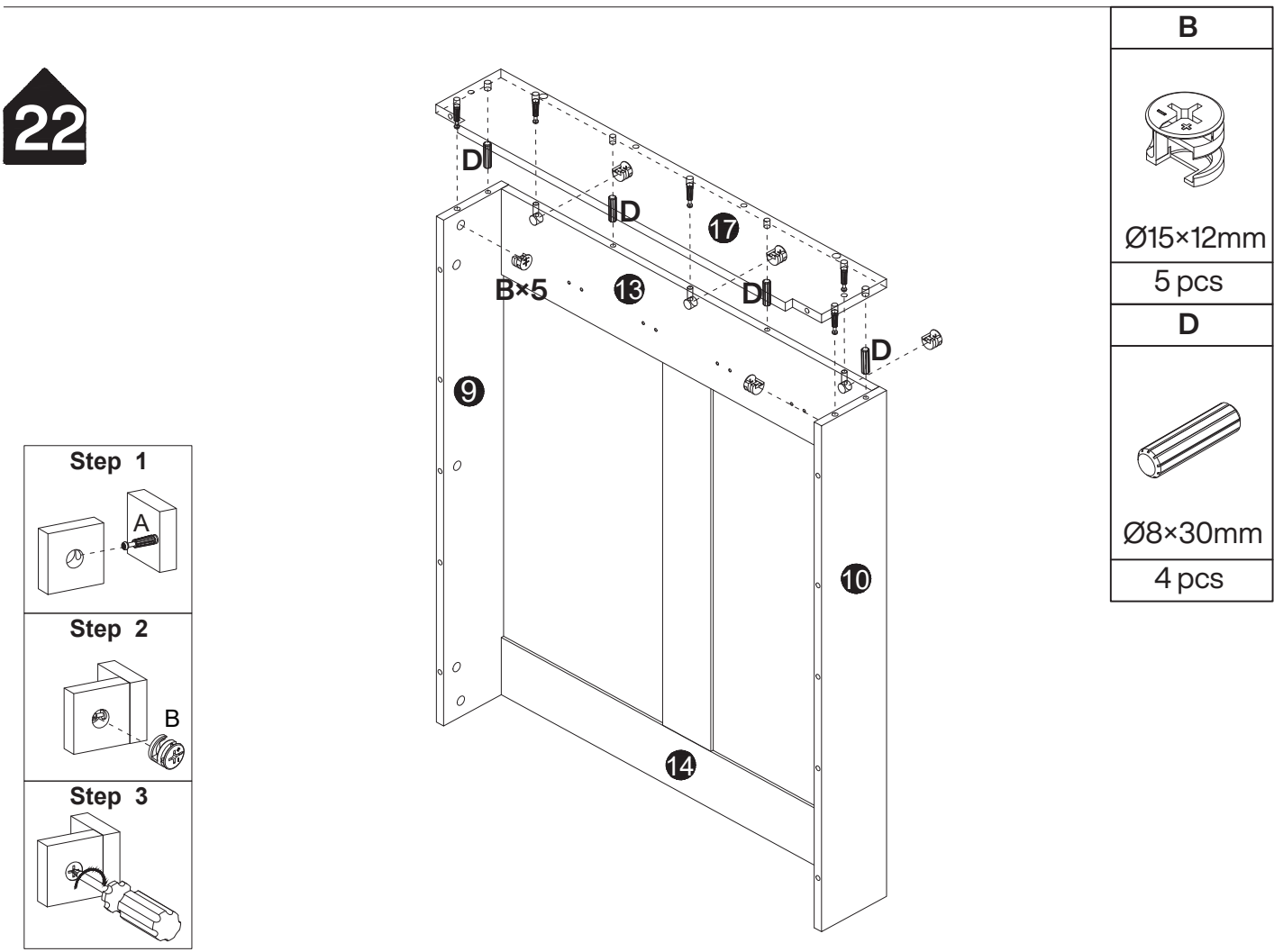
D

Ø8×30mm
4 pcs



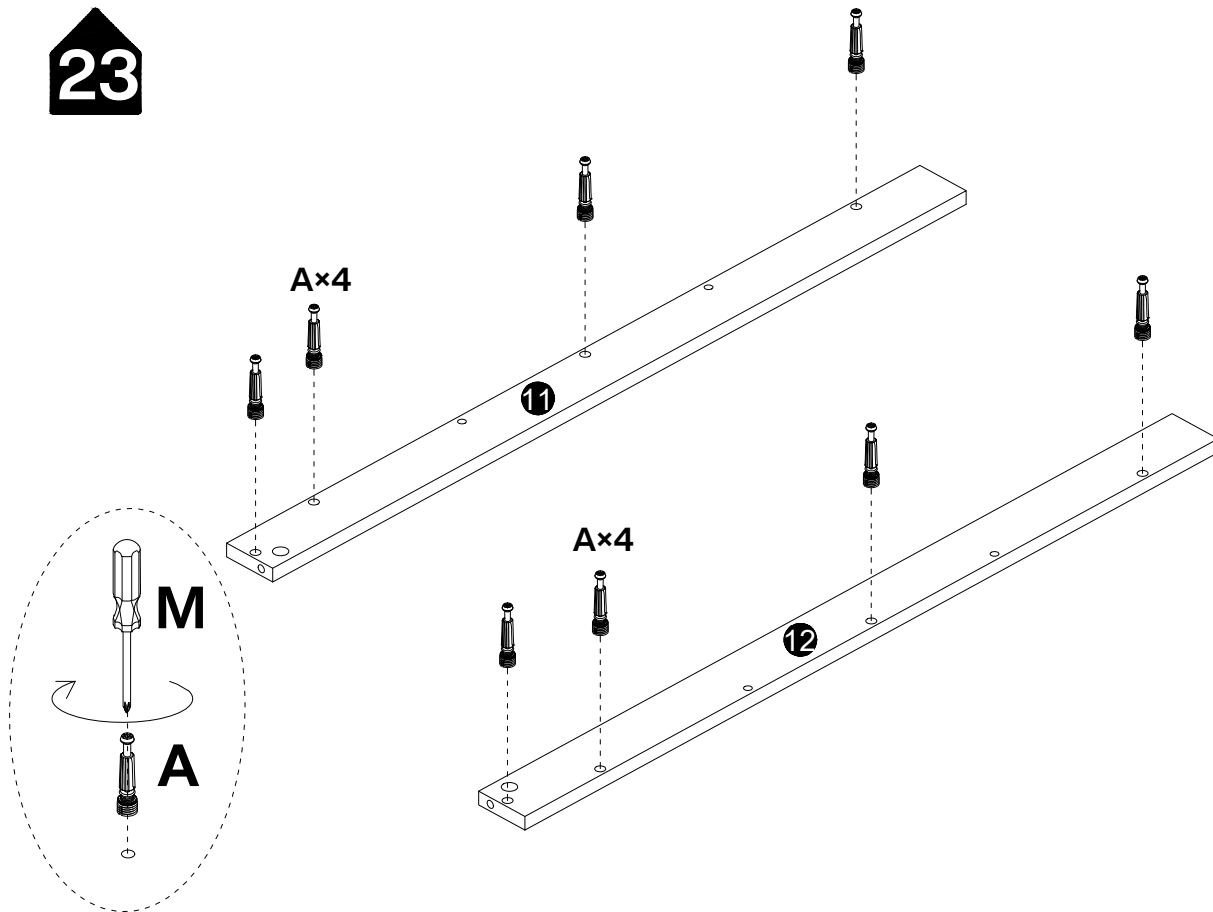
21




22

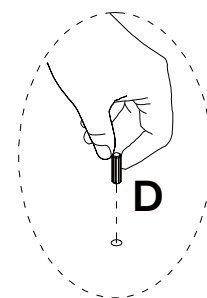
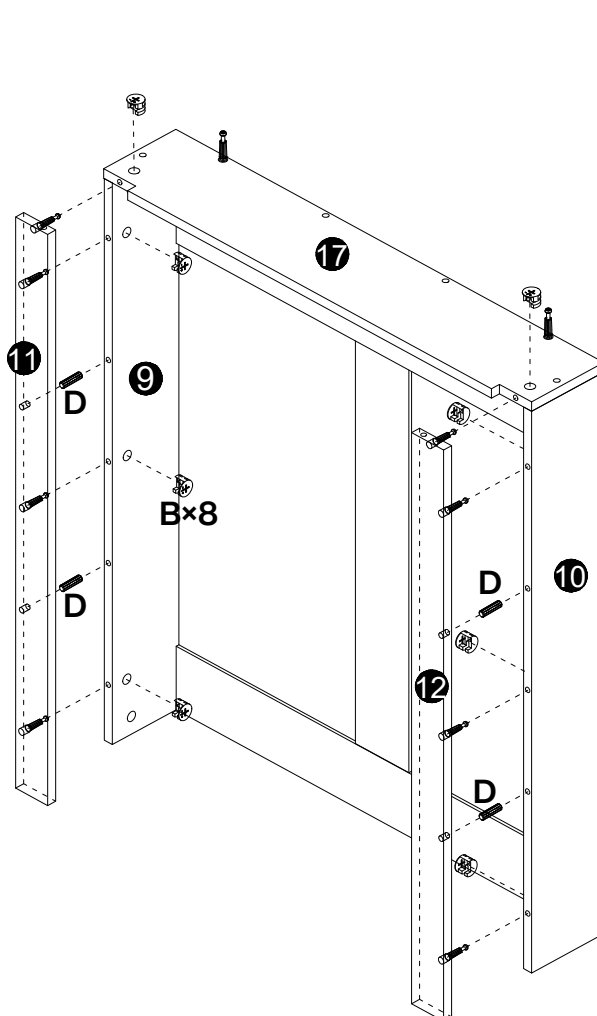


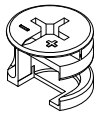
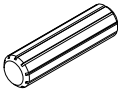
23

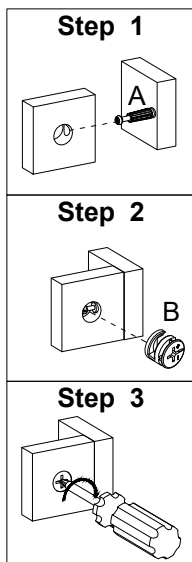


A

Ø6×40mm
8 pcs

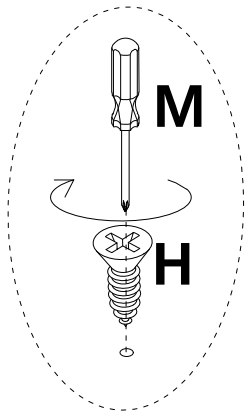
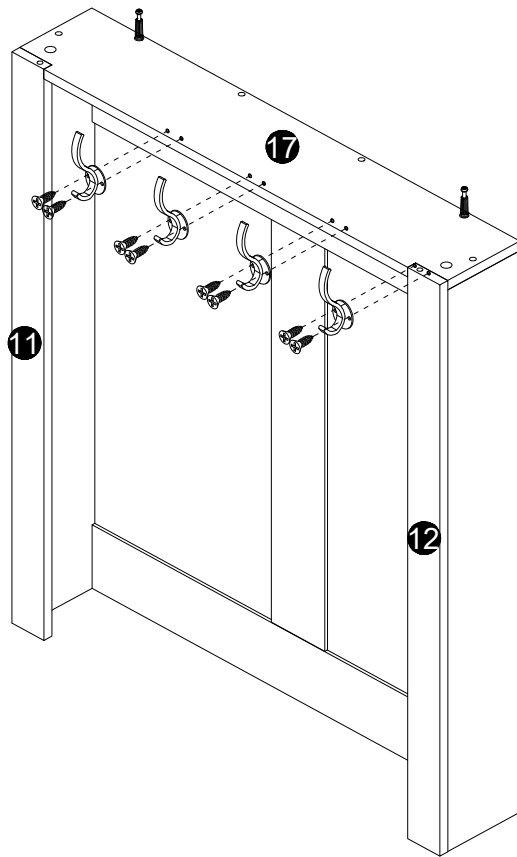
24


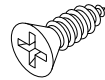


B

Ø15×12mm
8 pcs
D

Ø8×30mm
4 pcs

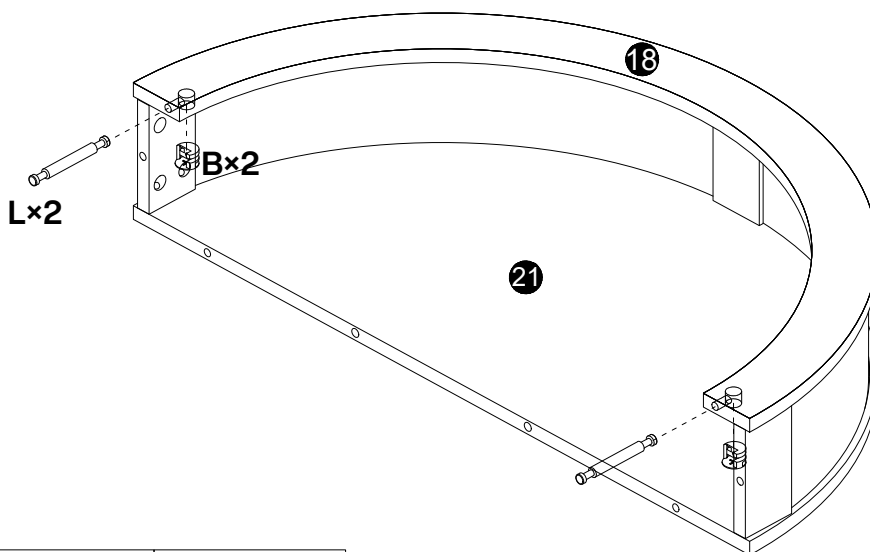


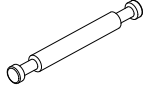
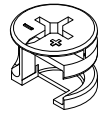
25

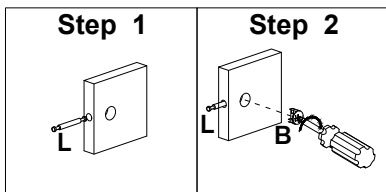


K

4 pcs
H

Ø3.5×14 mm
8 pcs

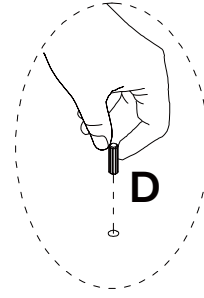
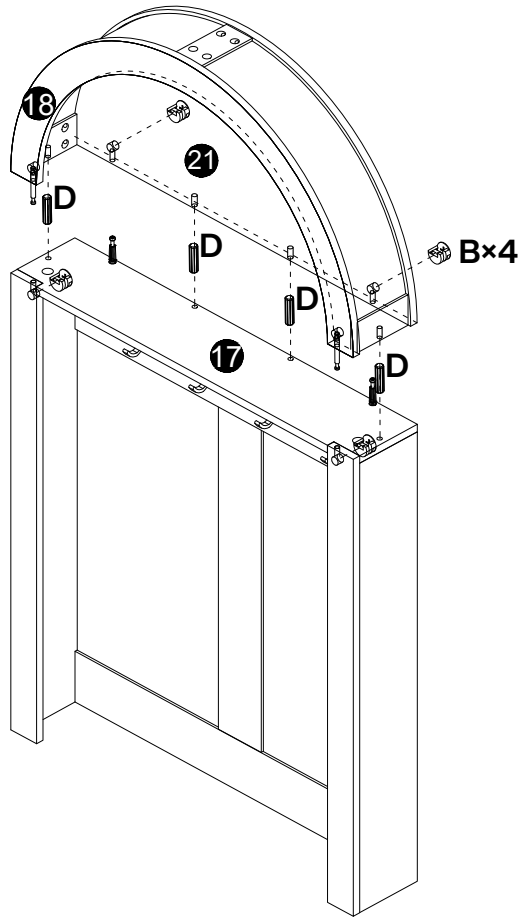
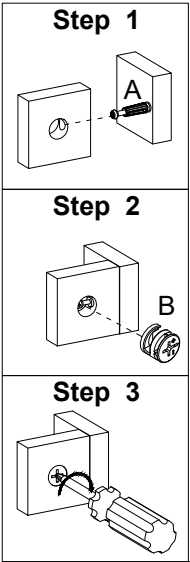
26

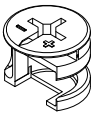
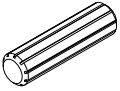


L

Ø6×48mm
2 pcs
B

Ø15×12mm
2 pcs

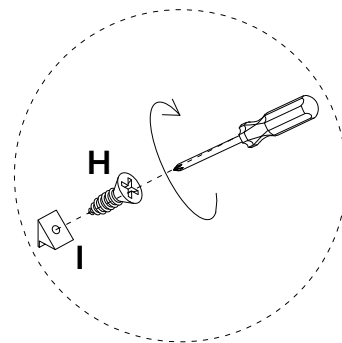
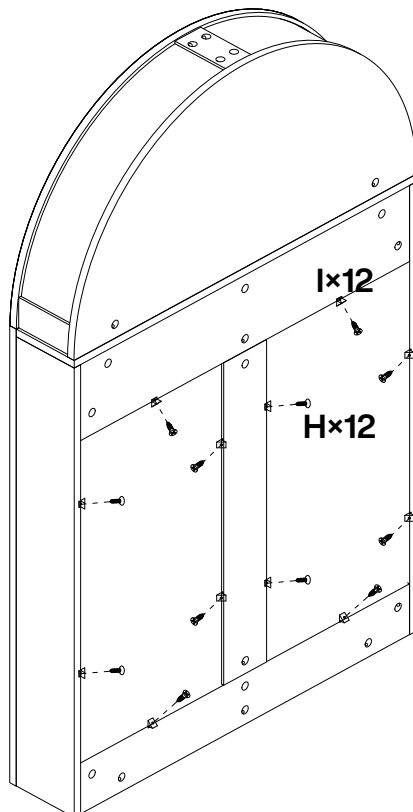


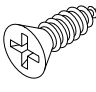
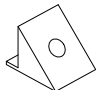
27



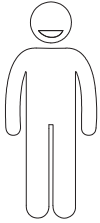
B

Ø15×12mm
4 pcs
D

Ø8×30mm
4 pcs

28



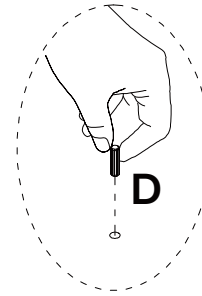
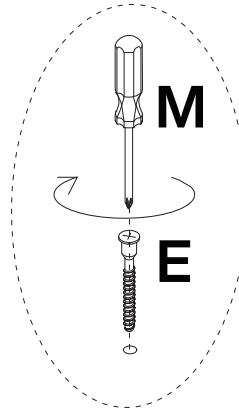
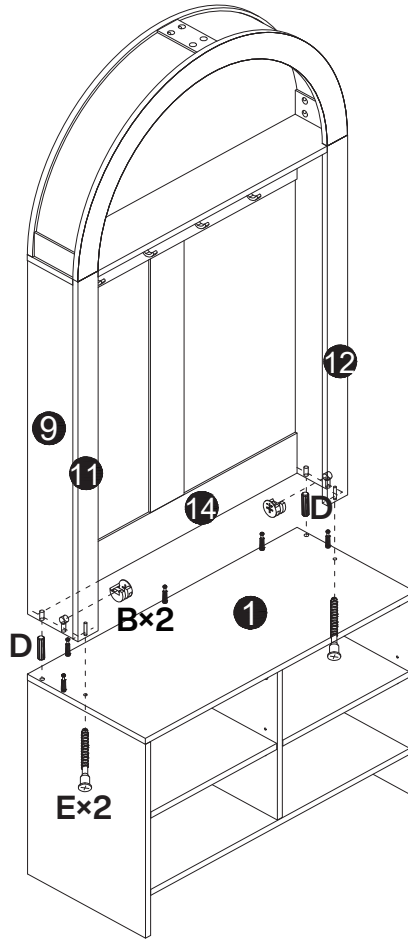
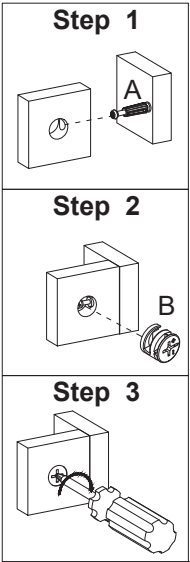
H

Ø3.5×14mm
12 pcs
I

12 pcs


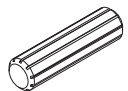
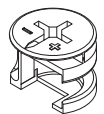
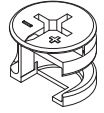
29



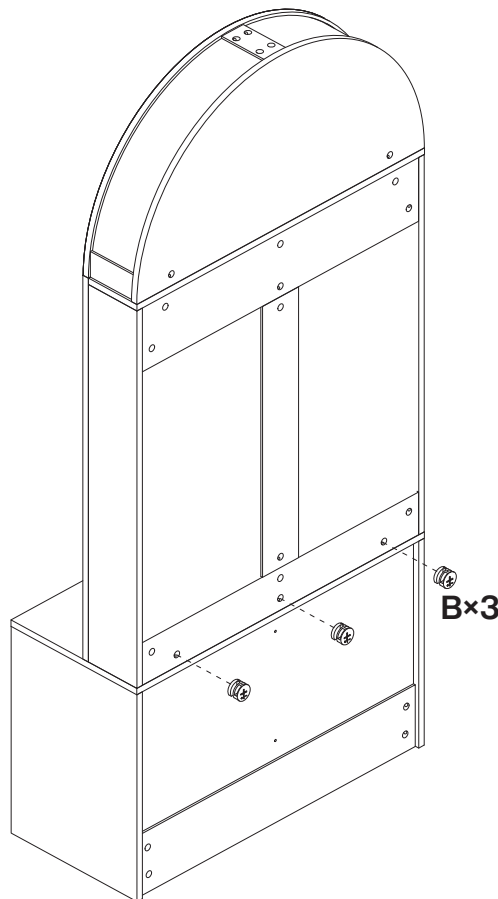
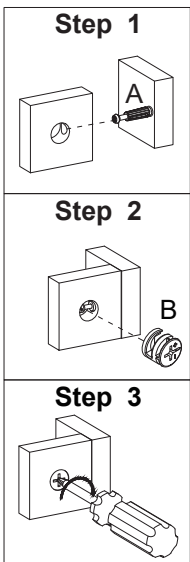
X2

Recommended to be installed by two adults.

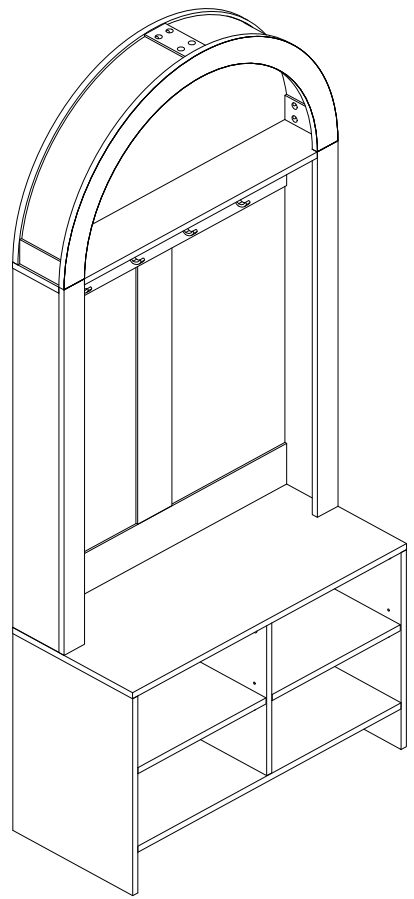


E

Ø7×38mm
2 pcs
D

Ø8×30mm
2 pcs
B

Ø15×12mm
2 pcs
B

Ø15×12mm
3 pcs

30

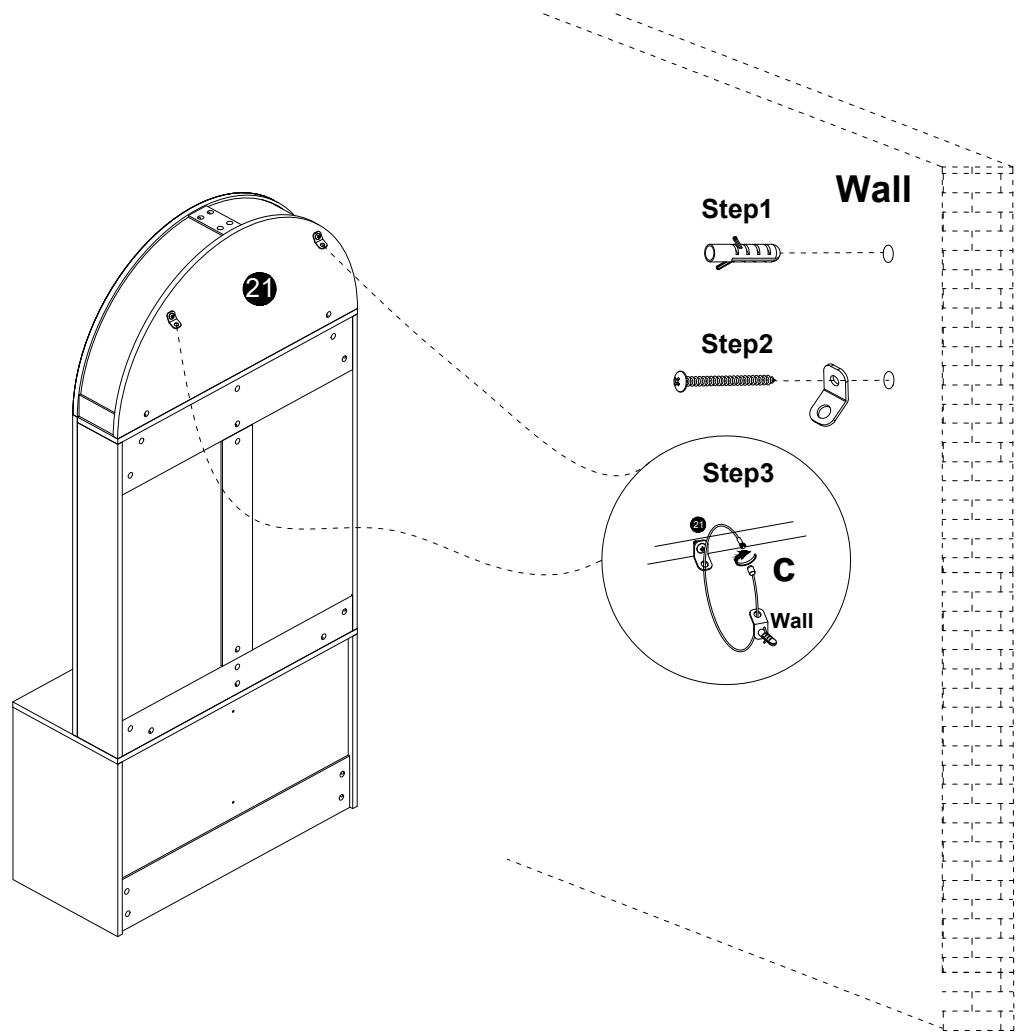


31



N
50 pcs

32



Thank you for your support!

