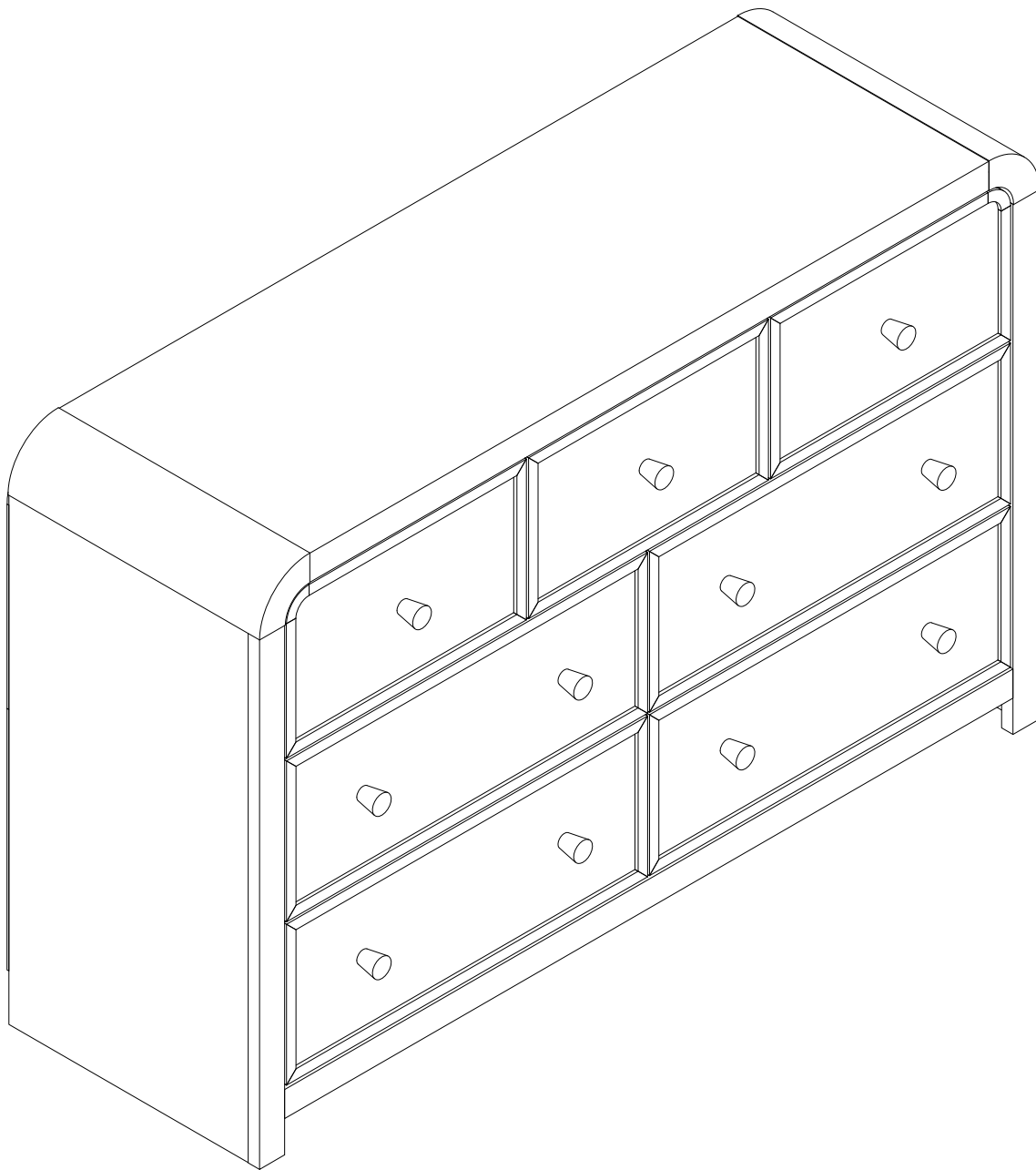


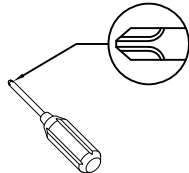
US522

Assembly Instructions

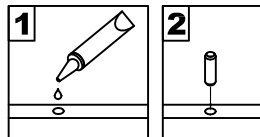


General Assembly Guidelines

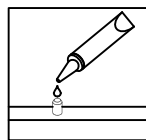
- I. Ensure that all parts and hardware are available before beginning assembly.
- II. Follow each step carefully to ensure the proper assembly of this product.
- III. Two people are recommended for ease in the assembly of this product.
- VI. A Phillips head screwdriver is required for the assembly of this product .



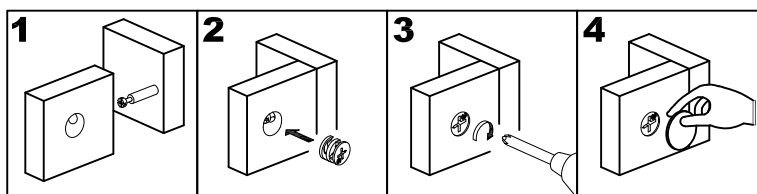
- V. The provided glue is to secure wood dowels in place . When first inserting dowels , locate the appropriate hole for the dowel , place a small amount of glue in the hole and insert the dowel . Wipe away excess glue immediately.



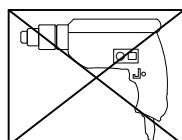
In future assembly steps when dowels are necessary to attach assembly parts together , place a small amount of glue on the end of the dowel before attaching parts together . Wipe away excess glue immediately.



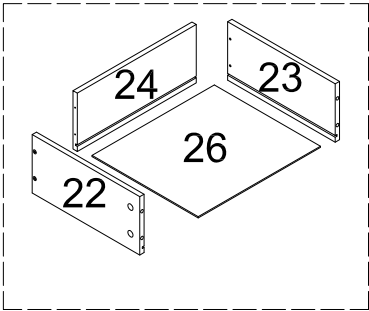
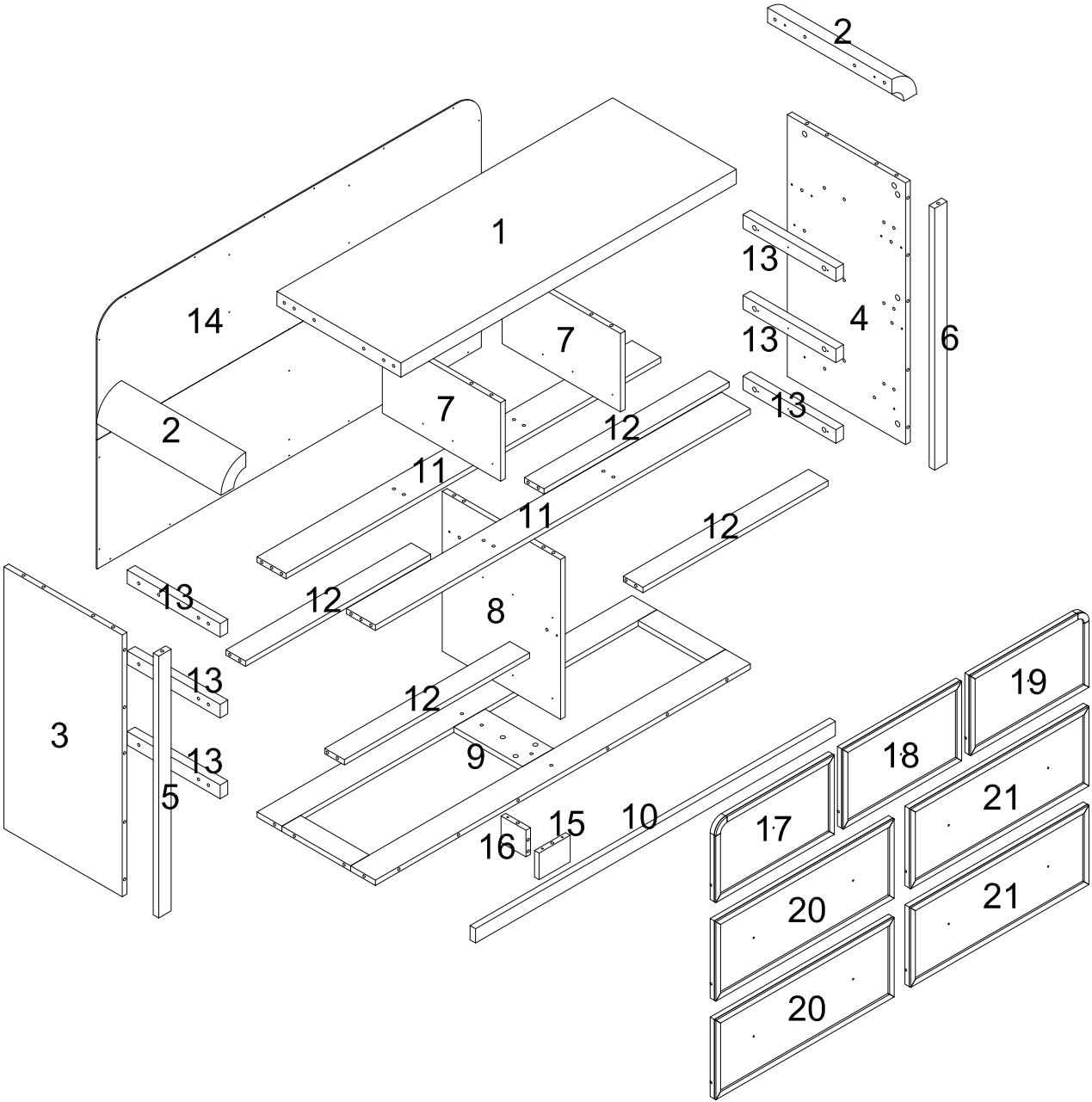
- VI. **HOW THE KNOCK DOWN (KD) ASSEMBLY SYSTEM WORKS**
 - 1.Screw the Cam Bolt into the pre-drilled hole on the panel. Make sure Cam Bolt goes into the pre-drilled hole on the end of panel for Cam Lock.
 - 2.Insert the Cam Lock into the pre-drilled large hole on the panel. Make sure the arrow on the face of Cam Lock points towards Cam Bolt.
 - 3.Take a Phillips screwdriver and rotate the Cam Lock clockwise to lock the Cam Bolt.
 - 4.Use the sticker to conceal the Cam.



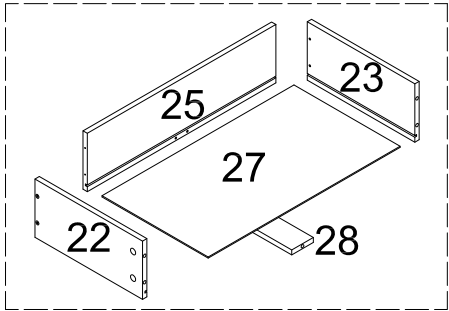
- VII. Power tools should not be used to assemble this product .



Parts List


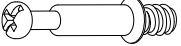




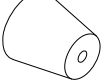


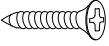
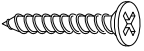
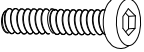


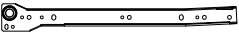


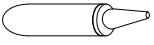
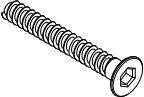
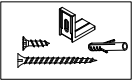
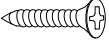



X3

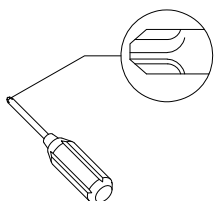


X4

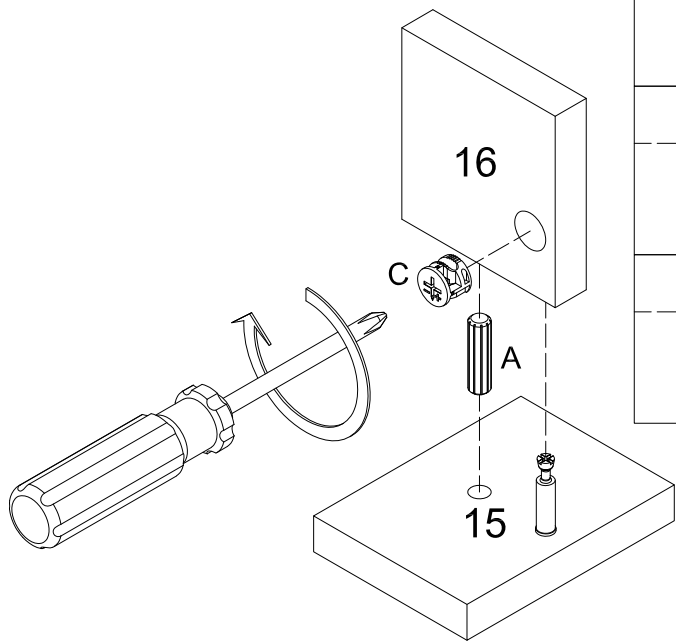
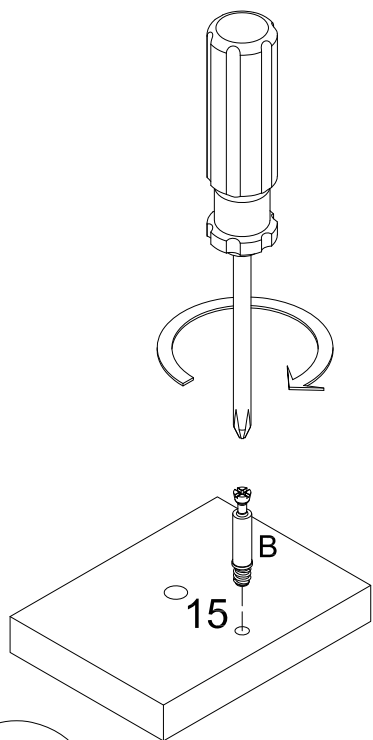
Hardware List


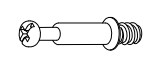
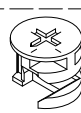
A		Ø8x30mm	Dowel	63 pcs
B		Ø7x40mm	Cam Bolt	45 pcs
C		Ø15x12mm	Cam Lock	45 pcs
D		Ø7x40mm	Cam Bolt	32 pcs
E		Ø15x10mm	Cam Lock (Small)	32 pcs
F		Ø30mm	Cover	28 pcs
G			Handle	11 pcs
H		M4x20mm	Handle bolt	11 pcs
I		Ø3.5x15mm	Screw	28 pcs
J		Ø3x12mm	Screw	72 pcs
K		Ø4x32mm	Screw	36 pcs
L		1/4#x30mm	Bolt	12 pcs
M		M4	Allen Wrench	1 pc
N		12"	Left cabinet member	7 pcs
O		12"	Right cabinet member	7 pcs
P		12"	Left drawer runner	7 pcs
Q		12"	Right drawer runner	7 pcs
R			Glue Tube	1 pc
S		Ø6x50mm	Screw	9 pcs
T			Tipping Restraint Hardware	2 sets
U		Ø3.5x12mm	Screw	12 pcs
V		Ø12(Ø6)x1mm	Flat washer	12 pcs

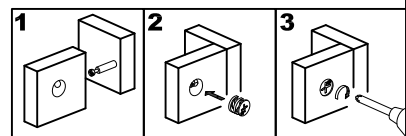
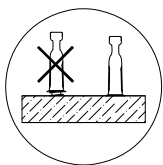
Philips head screwdriver required for assembly
(not included)



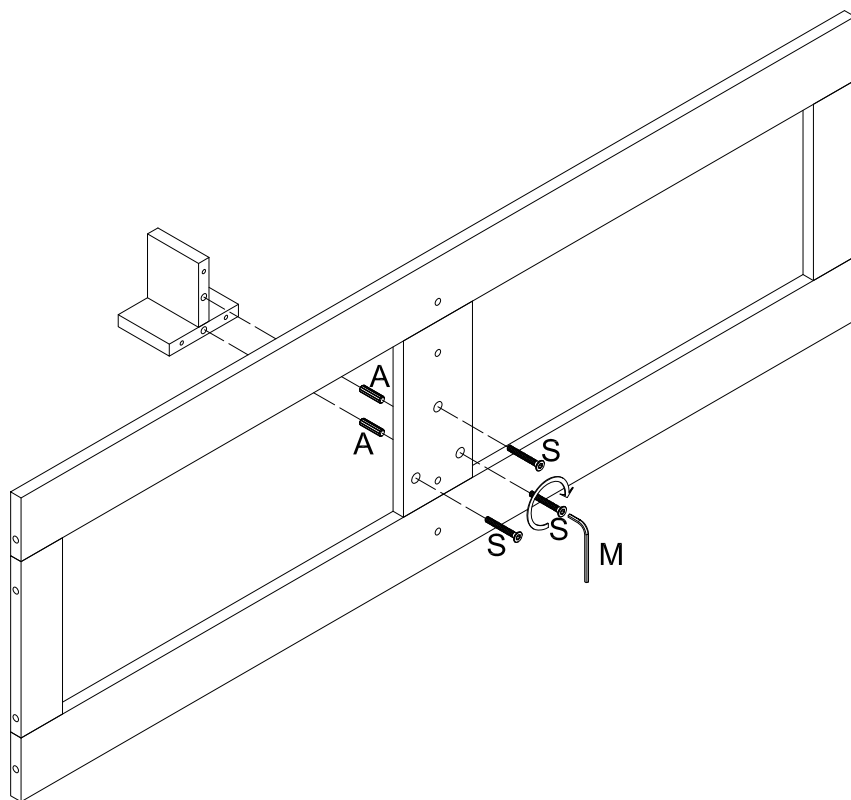
Step 1


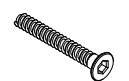
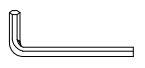


A x 1

B x 1

C x 1




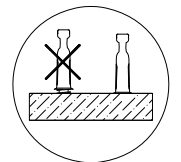
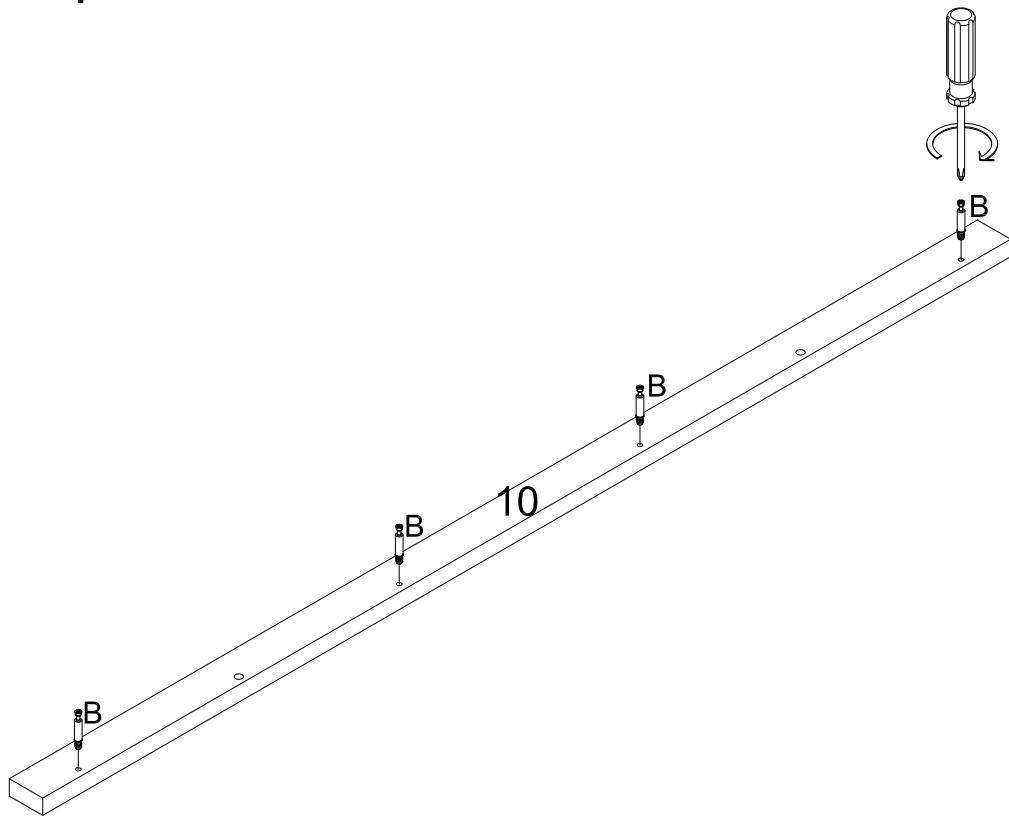
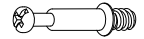
Step 2



A x 2

S x 3

M x 1


Step 3

B x 4

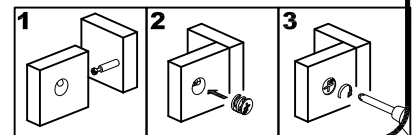
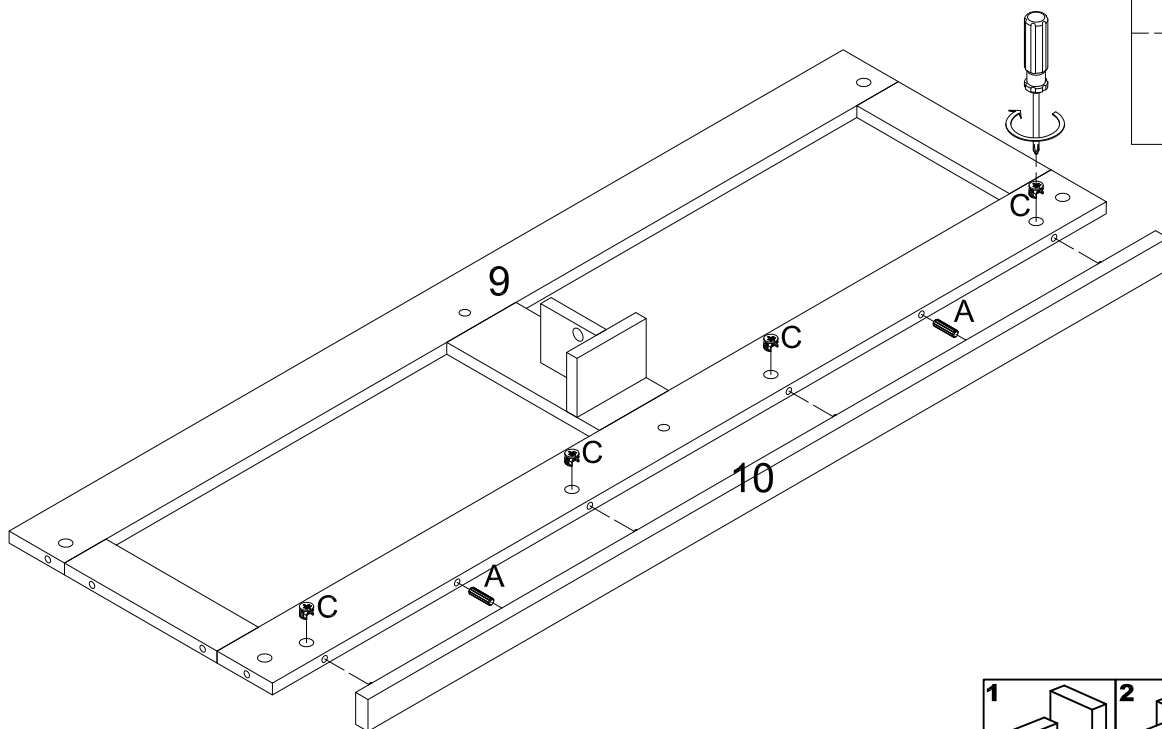


Step 4

A x 2

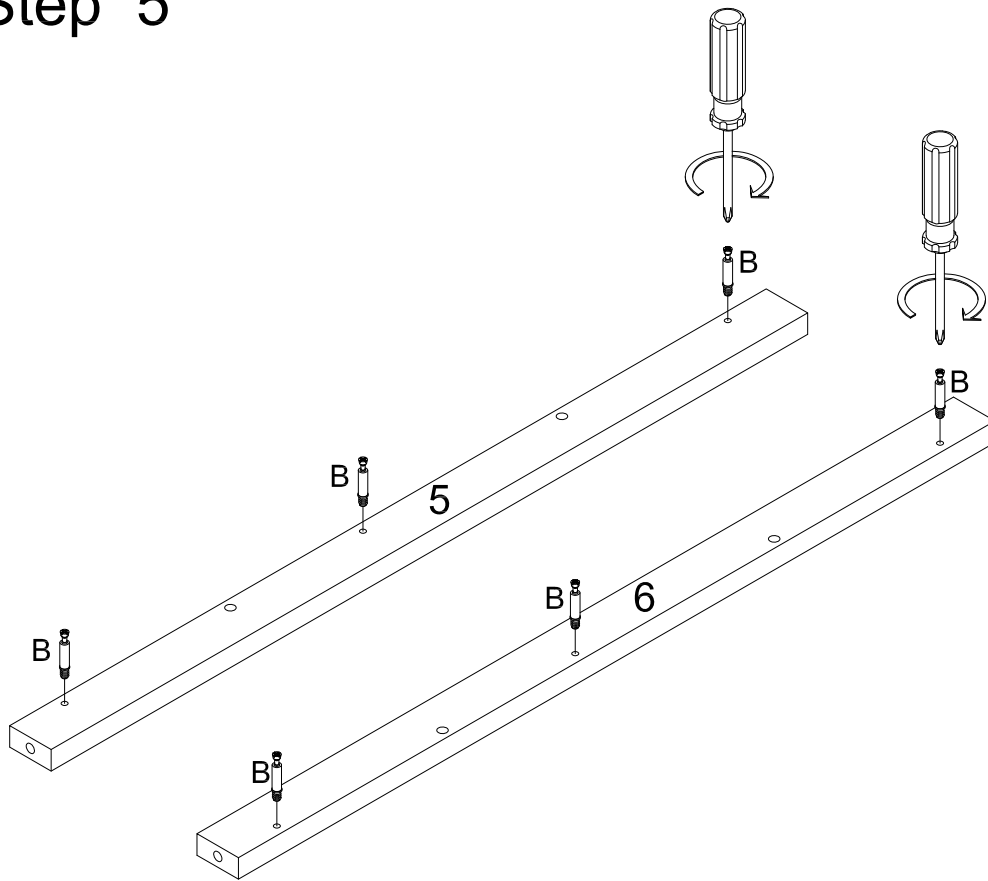
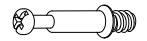


C x 4



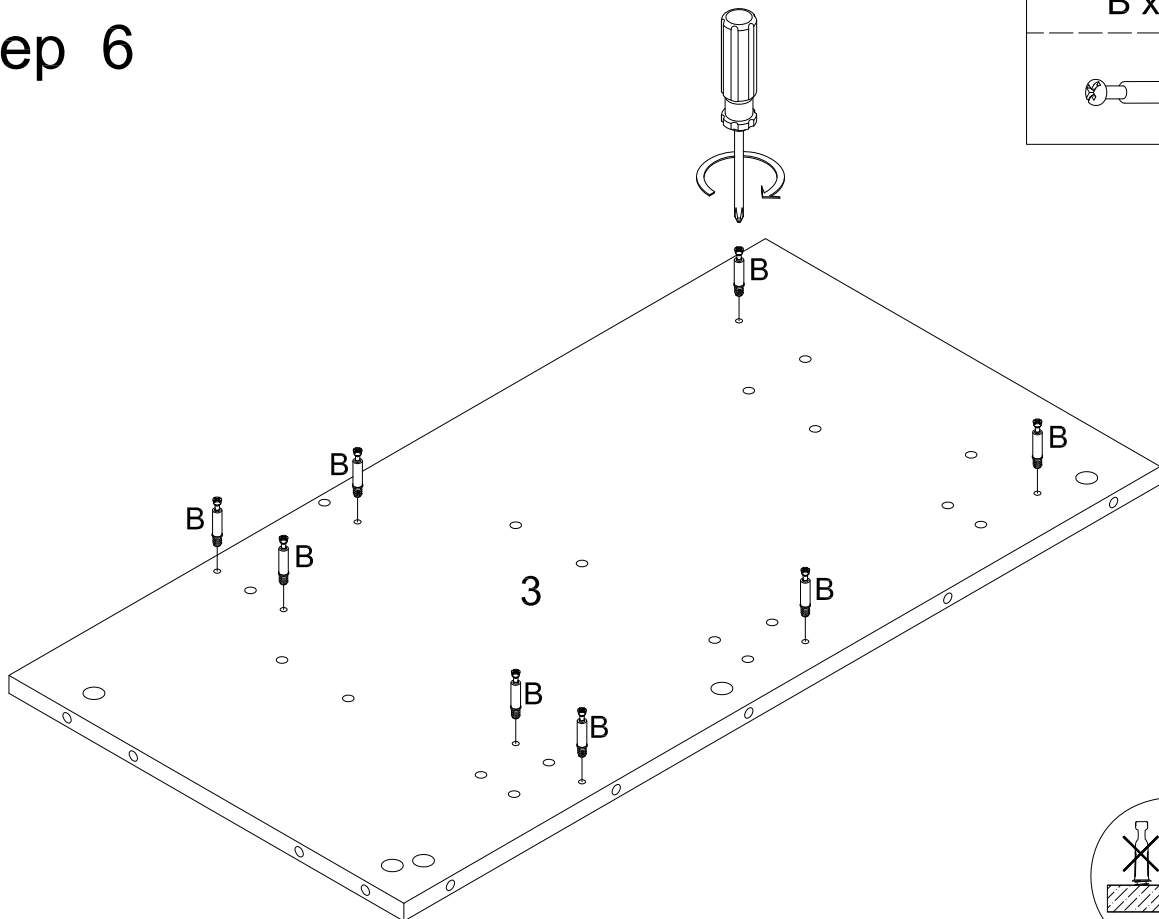
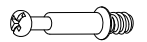
Step 5

B x 6

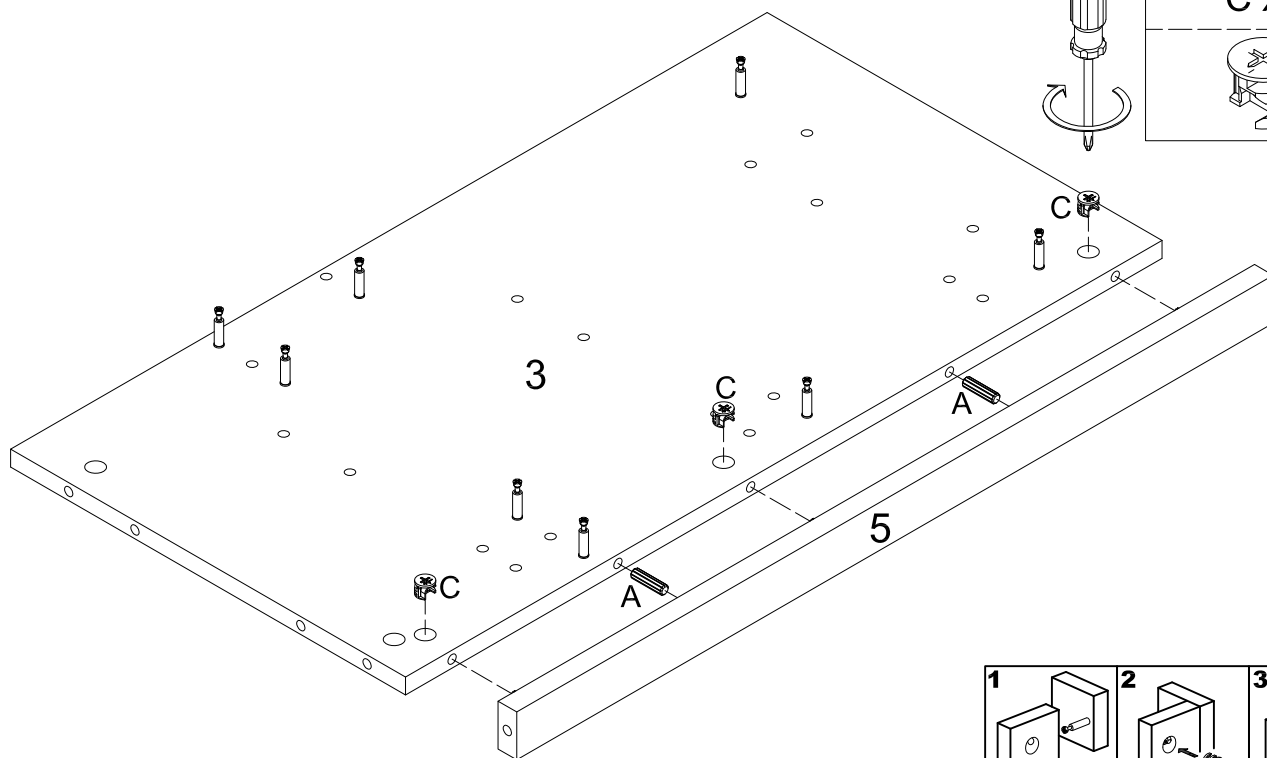


Step 6

B x 8



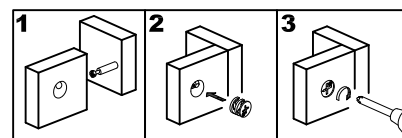
Step 7



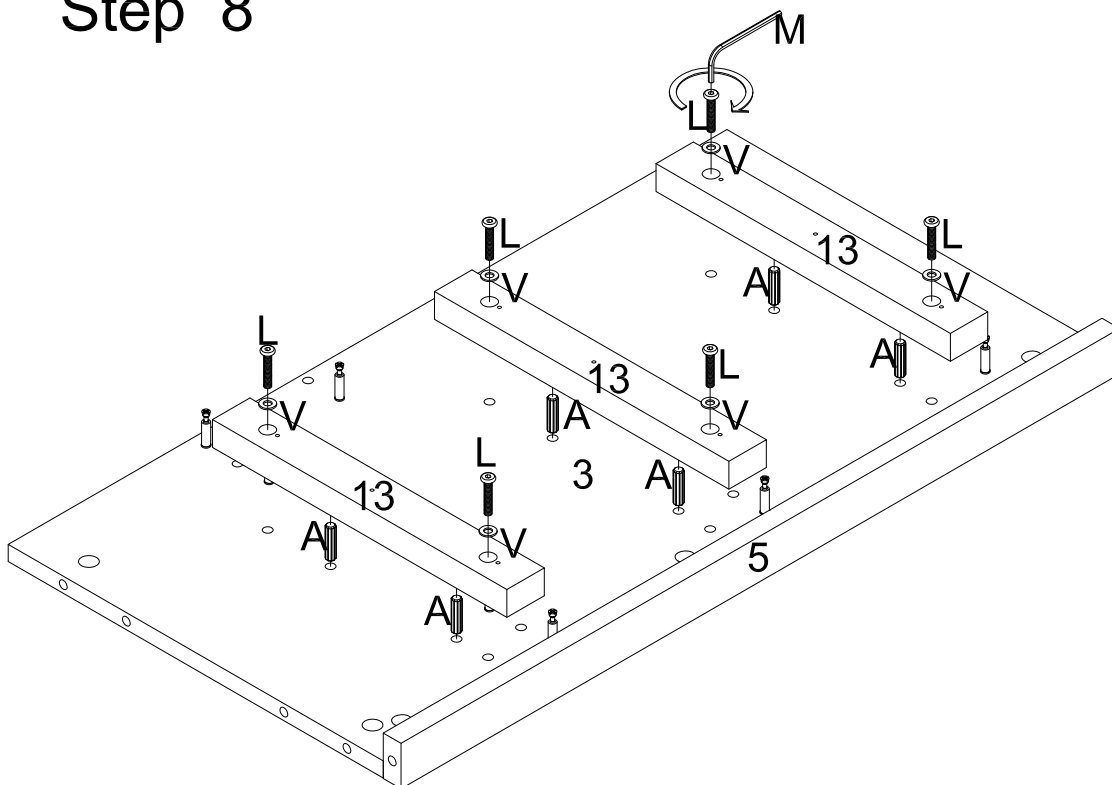
A x 2



C x 3



Step 8



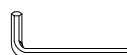
A x 6



L x 6



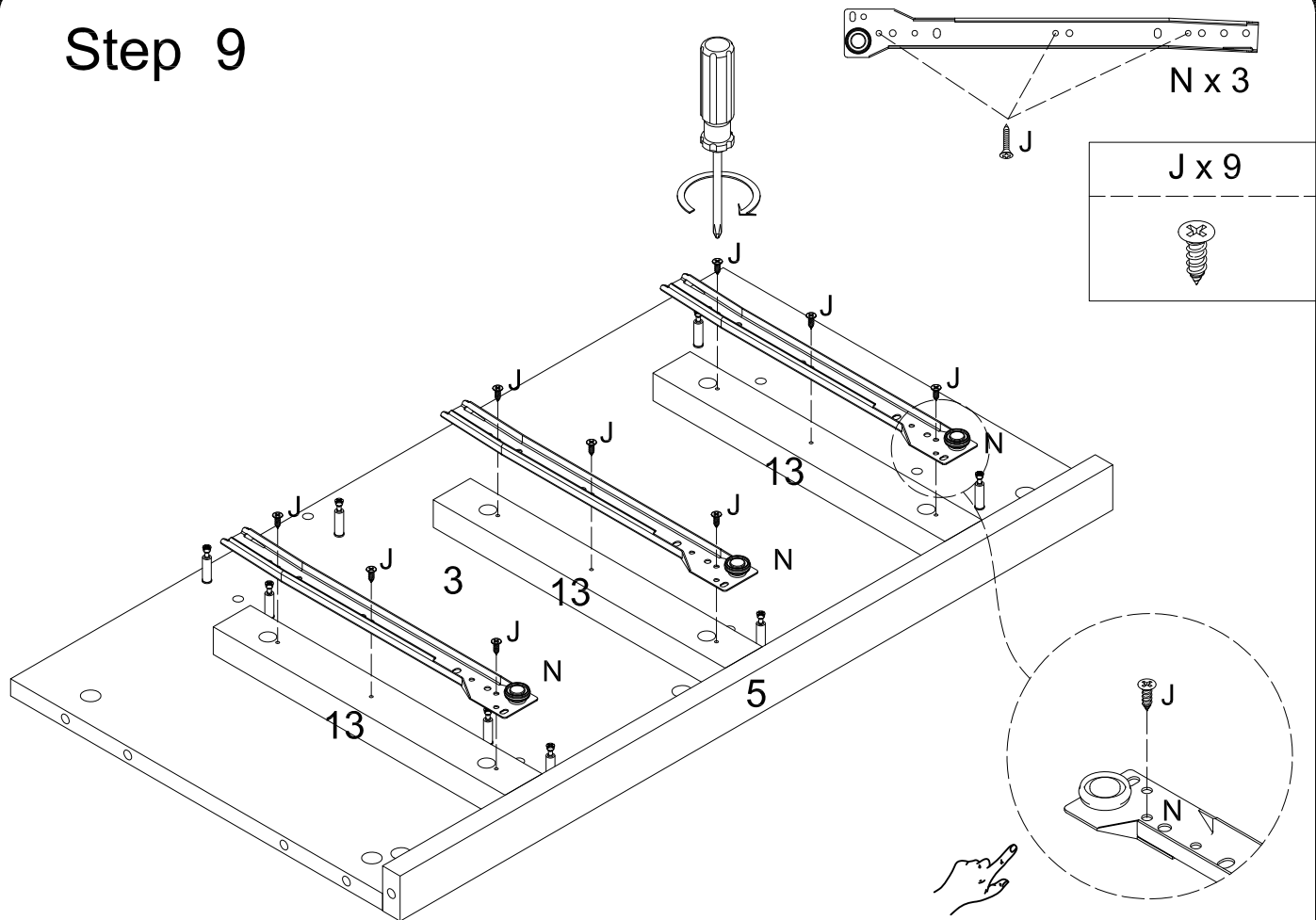
M x 1



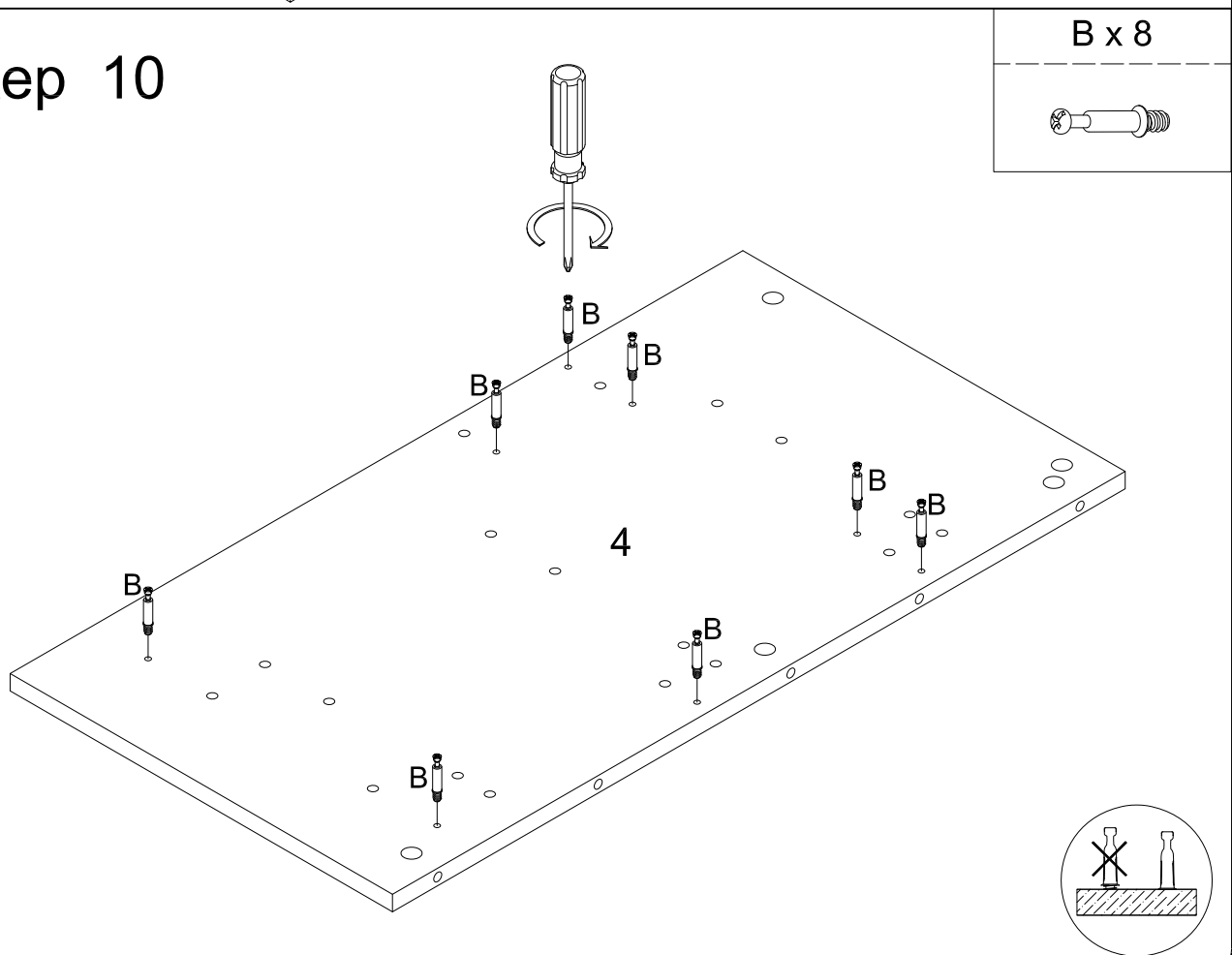
V x 6



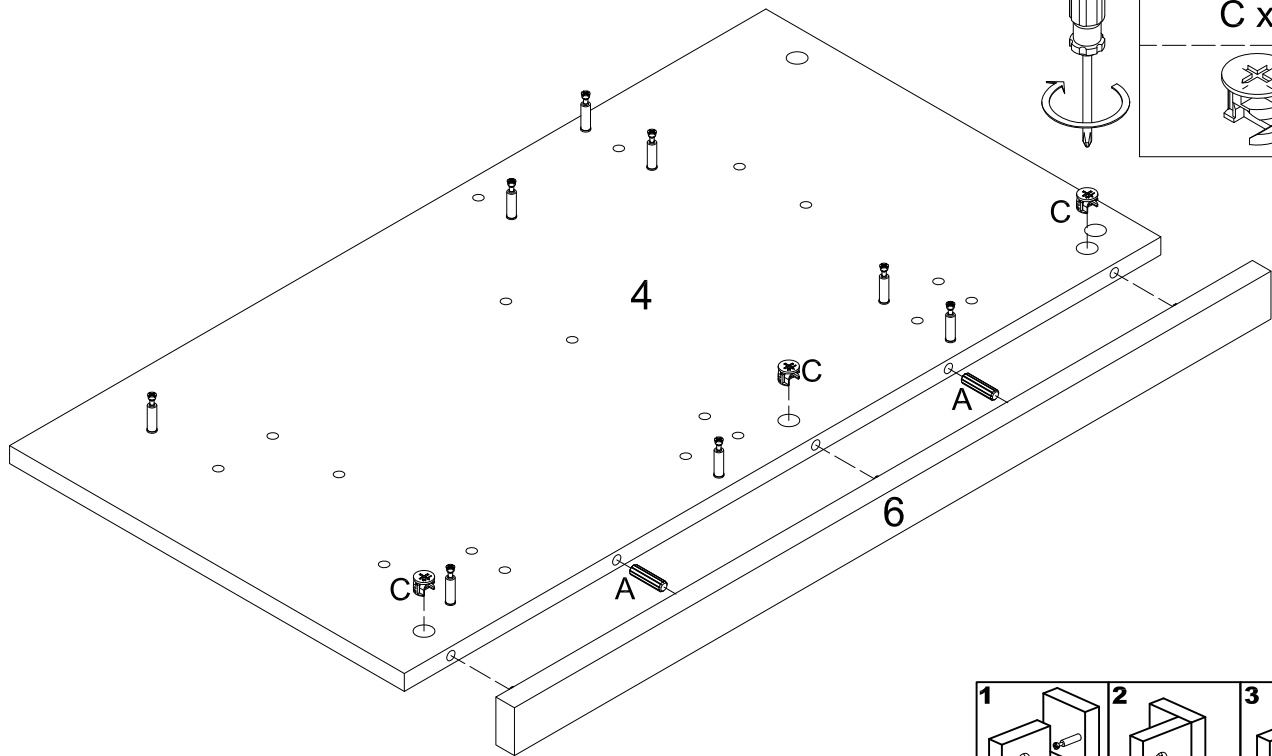
Step 9



Step 10



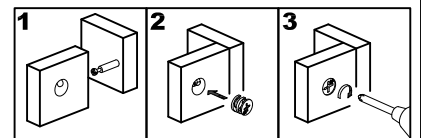
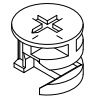
Step 11



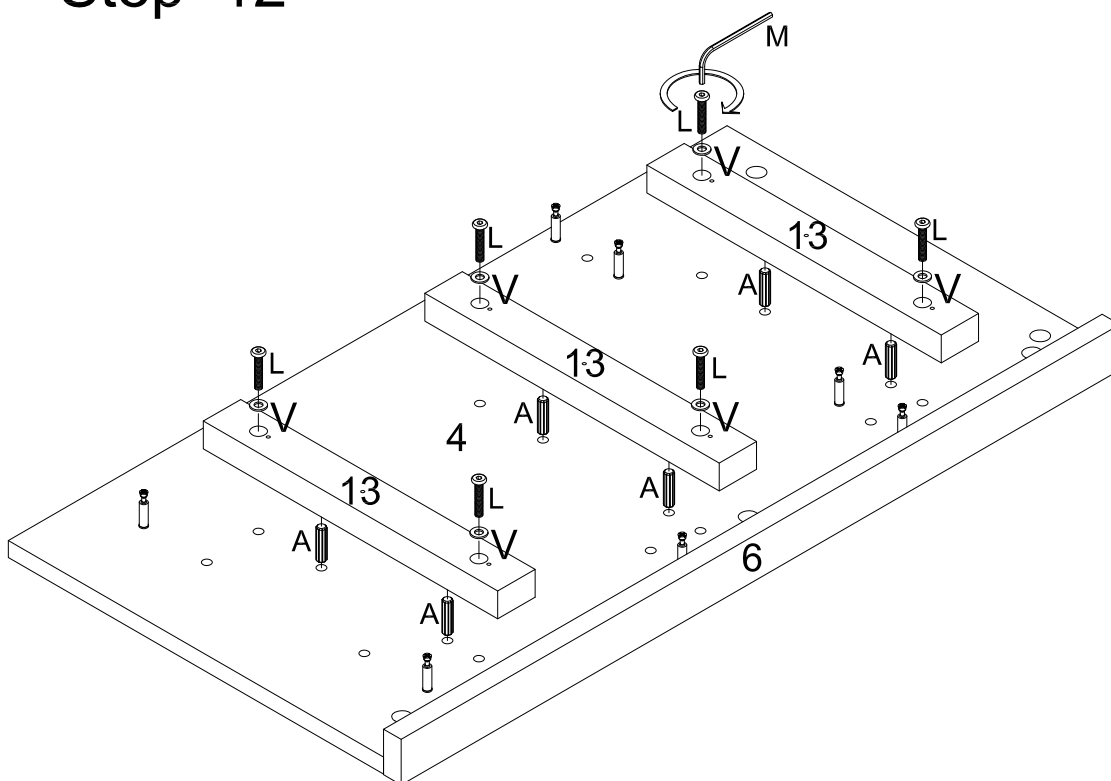
A x 2



C x 3



Step 12



A x 6



L x 6



M x 1

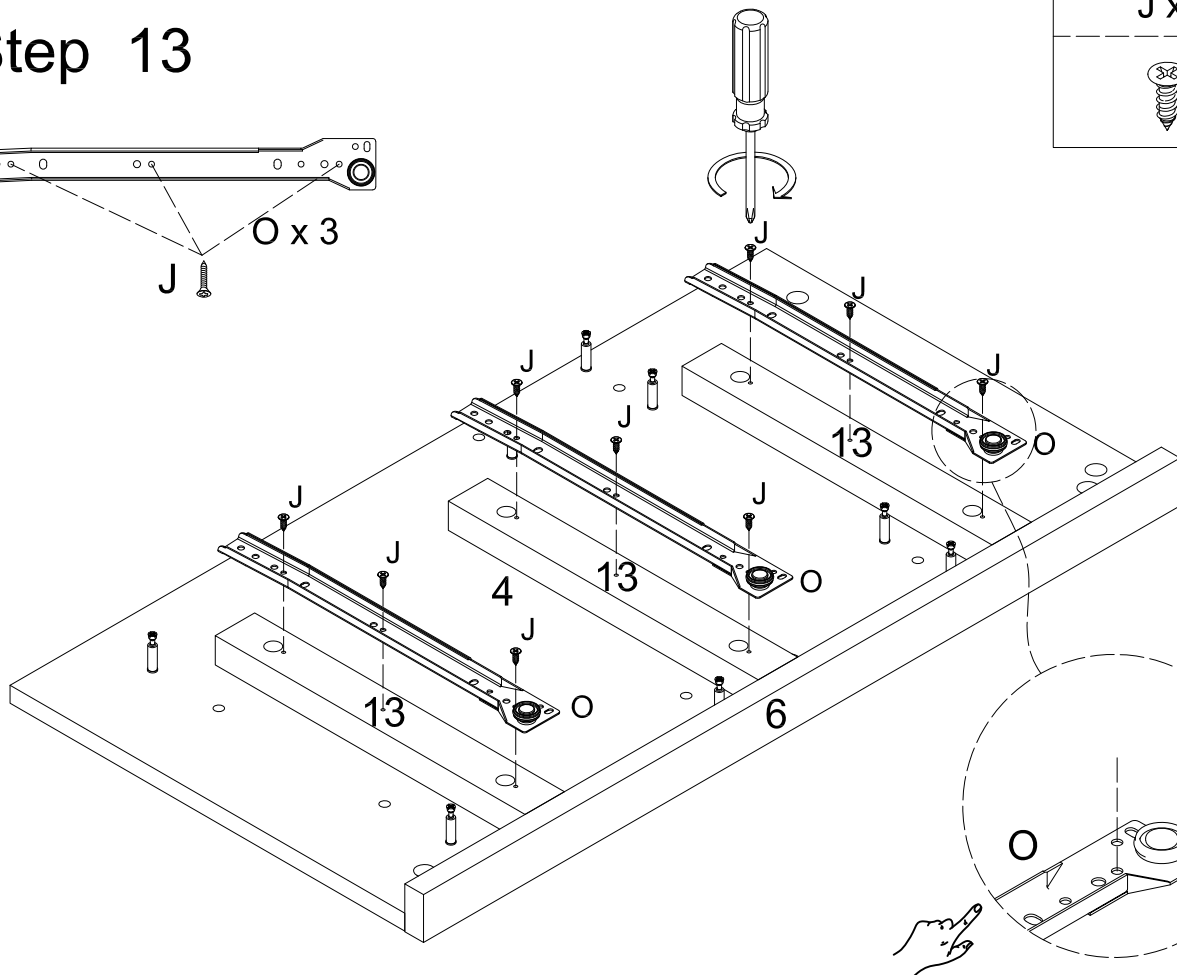
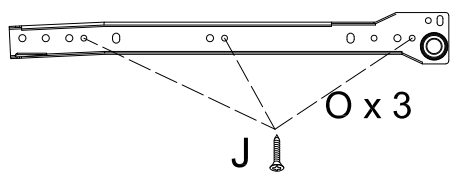


V x 6



Step 13

J x 9

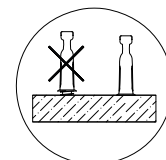
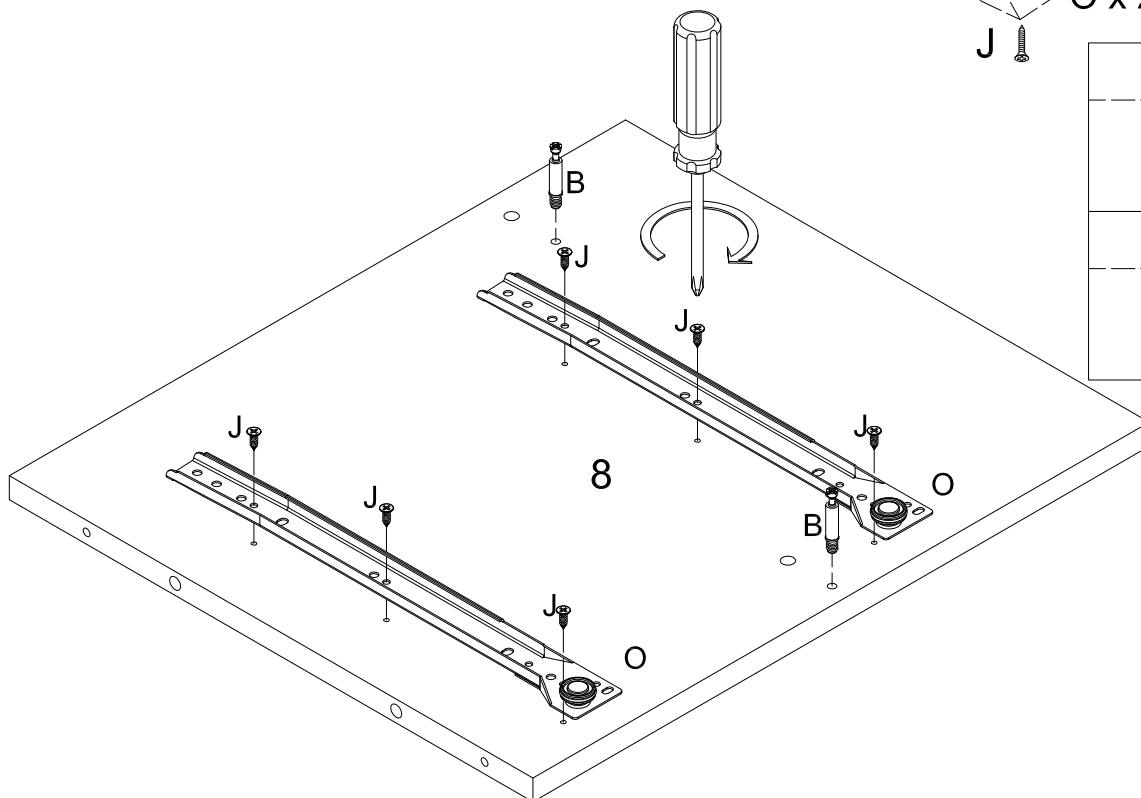
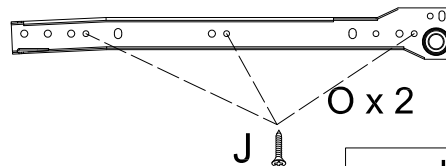


Step 14

J x 6

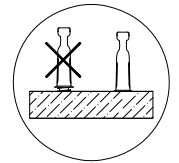
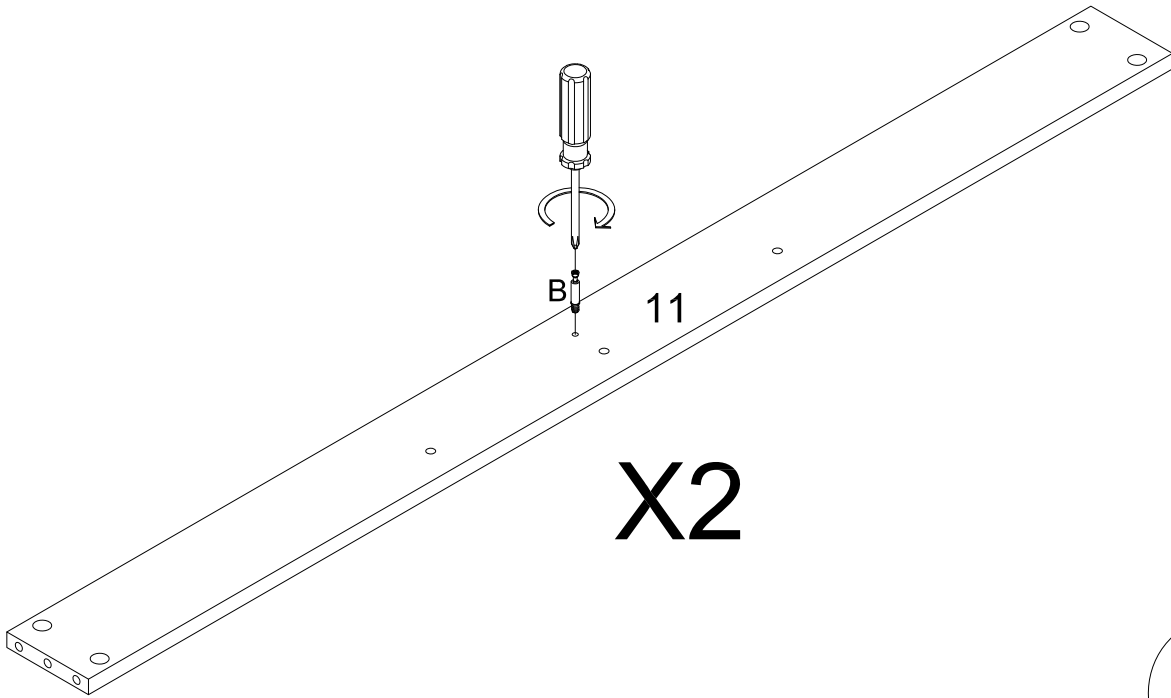
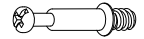


B x 2



Step 17

B x 2

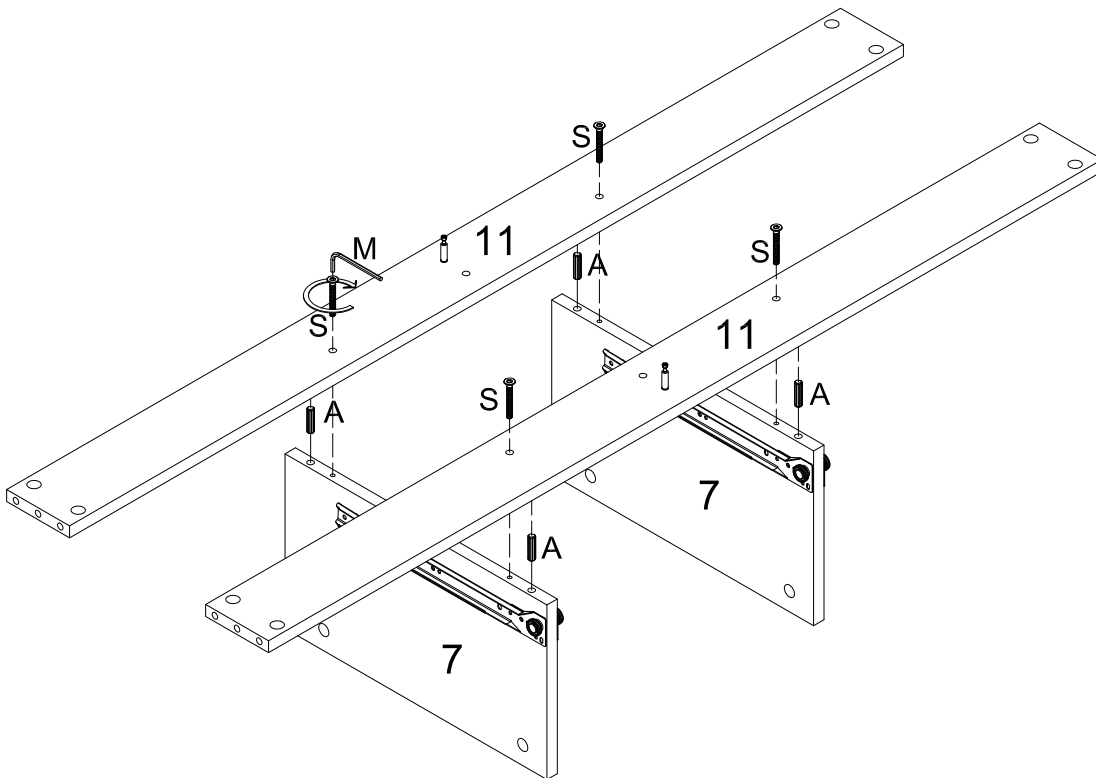


Step 18

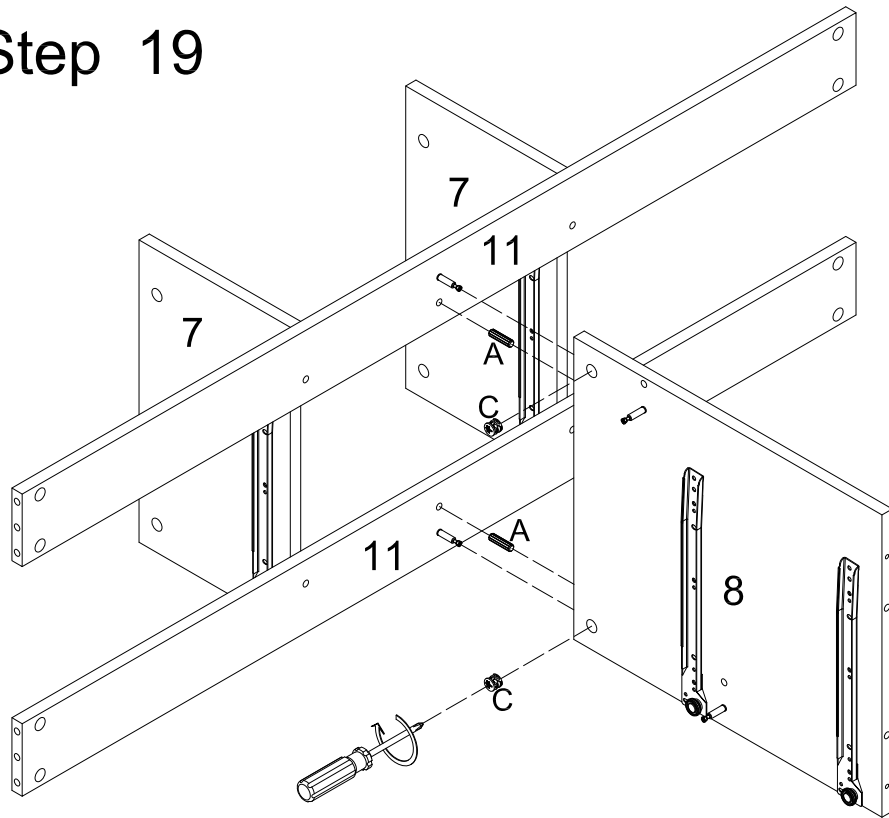
A x 4



S x 4



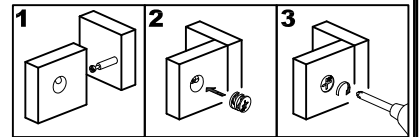
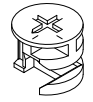
Step 19



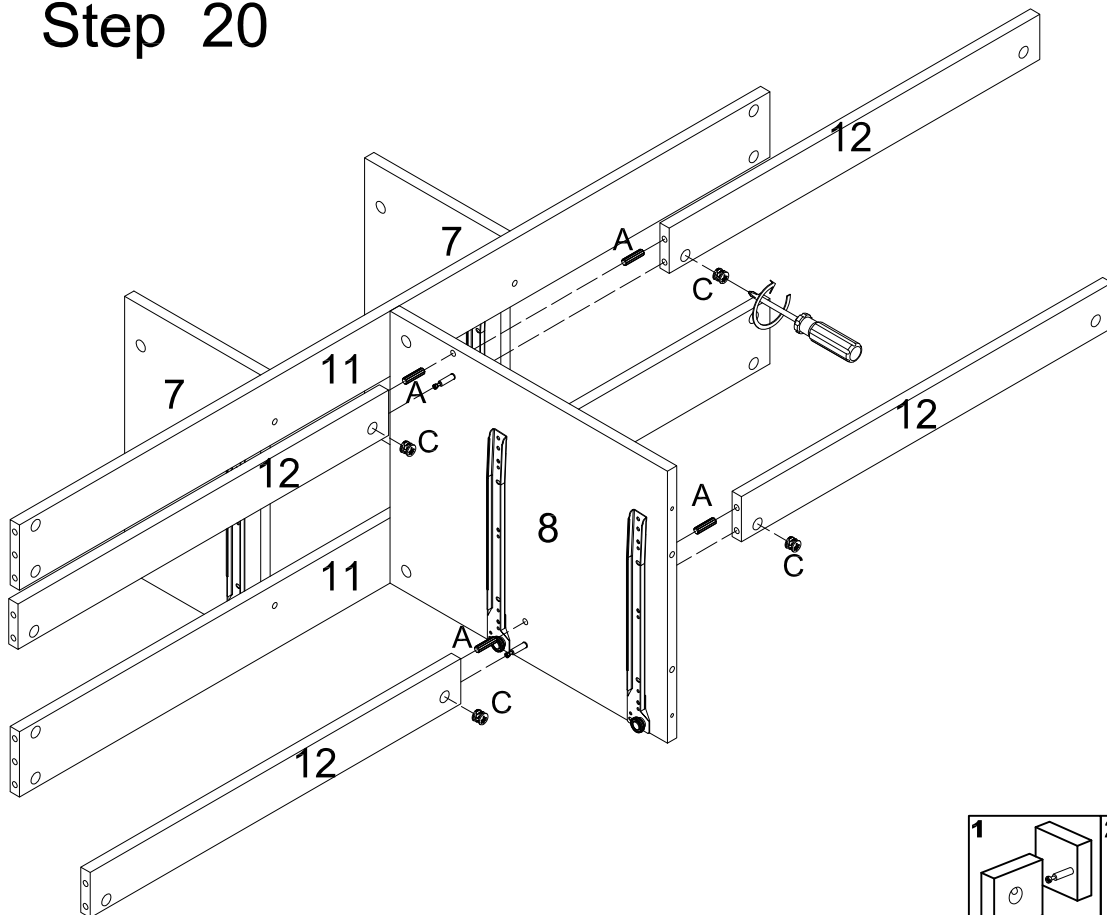
A x 2



C x 2



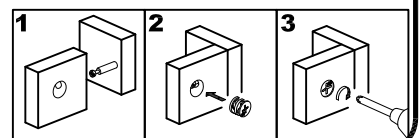
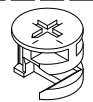
Step 20



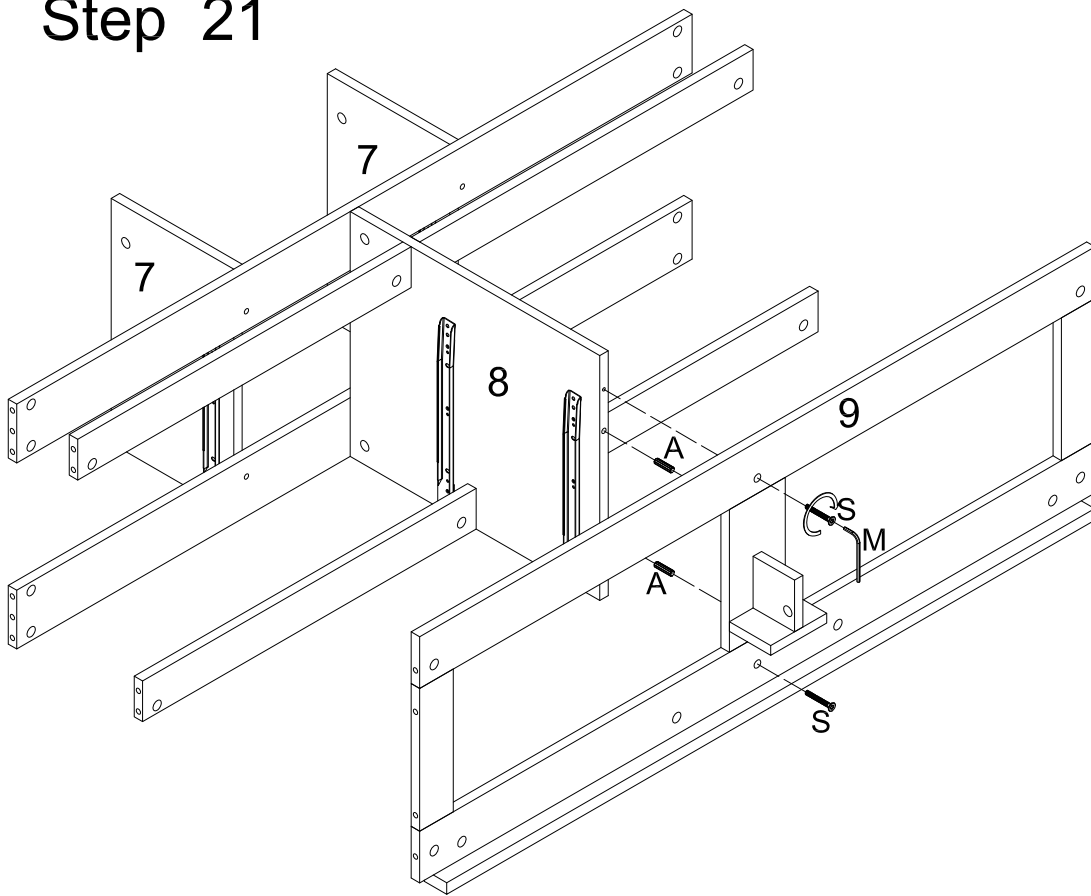
A x 4



C x 4



Step 21



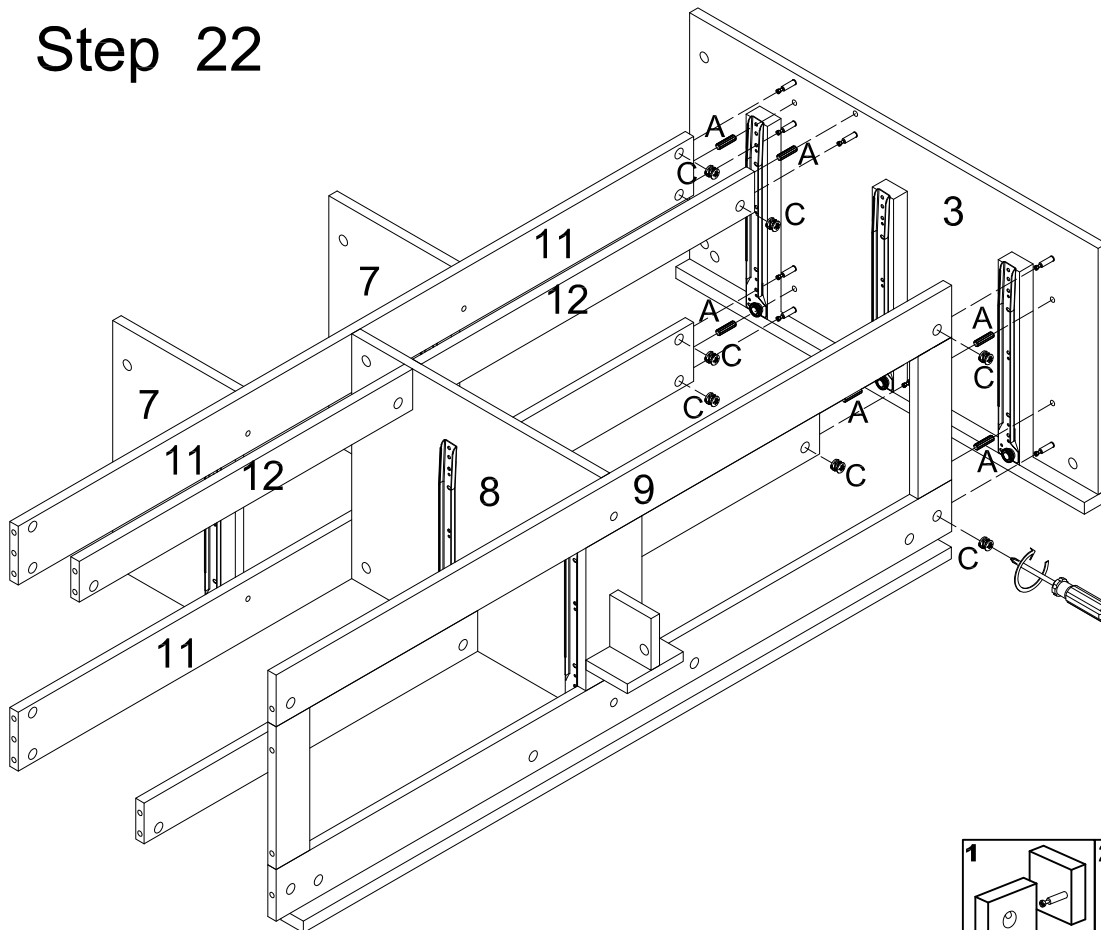
A x 2



S x 2



Step 22



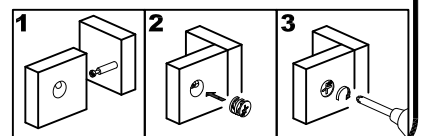
A x 6



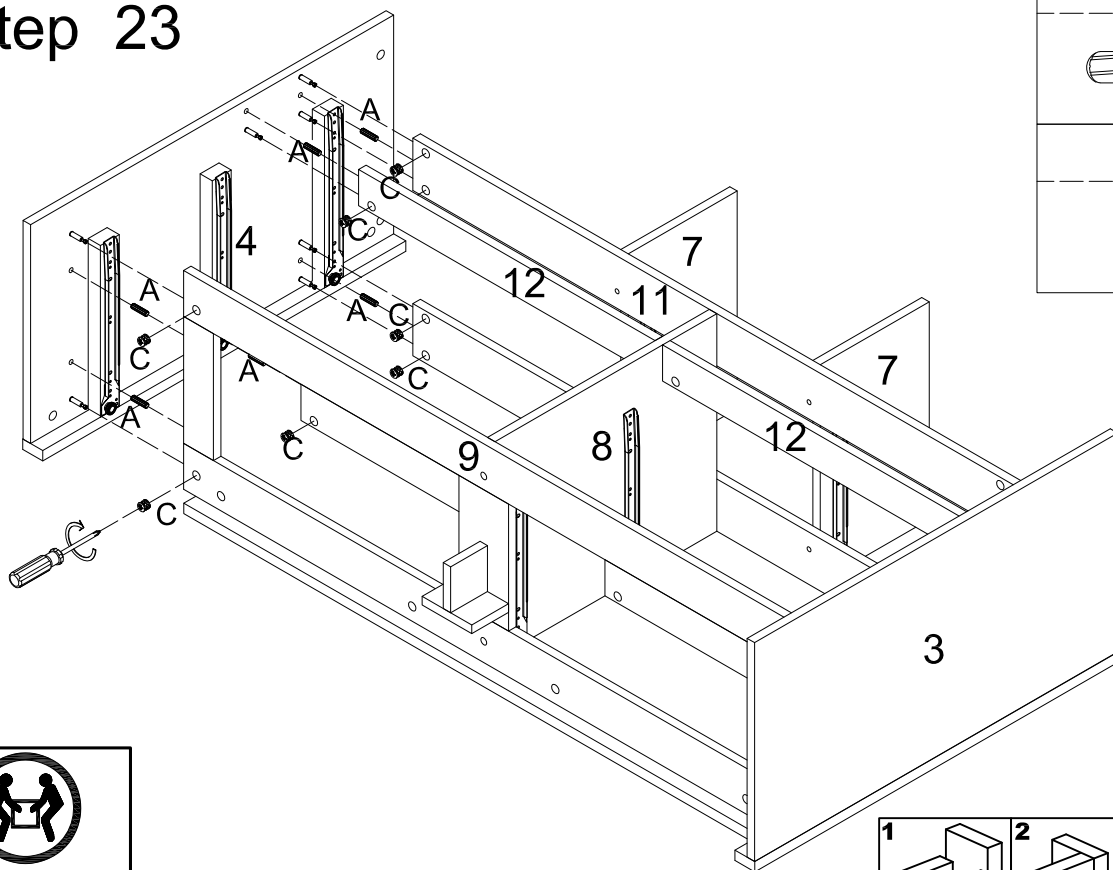
C x 8



CAUTION: Heavy! You may need assistance with this step.



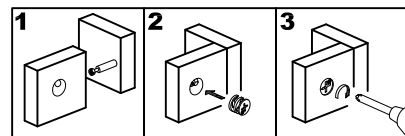
Step 23



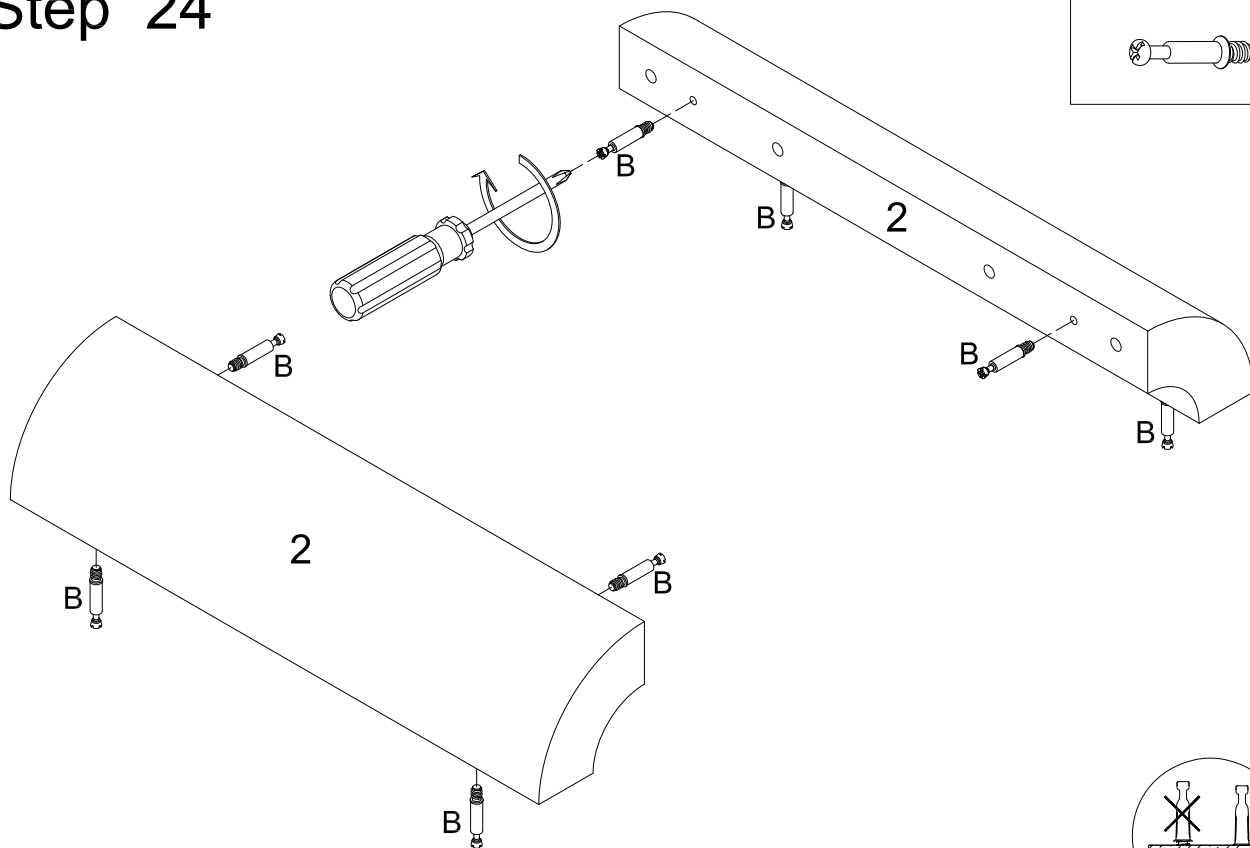
A x 6



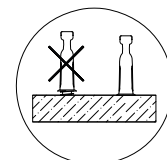
C x 8



Step 24

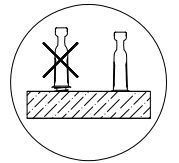
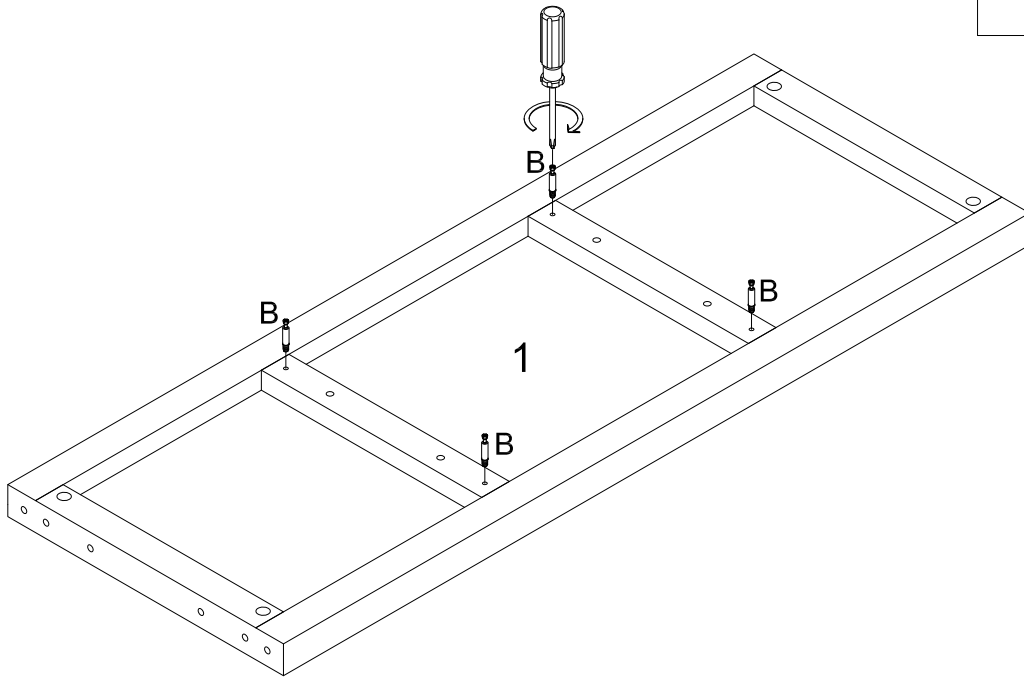
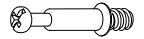


B x 8



Step 25

B x 4

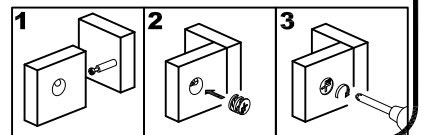
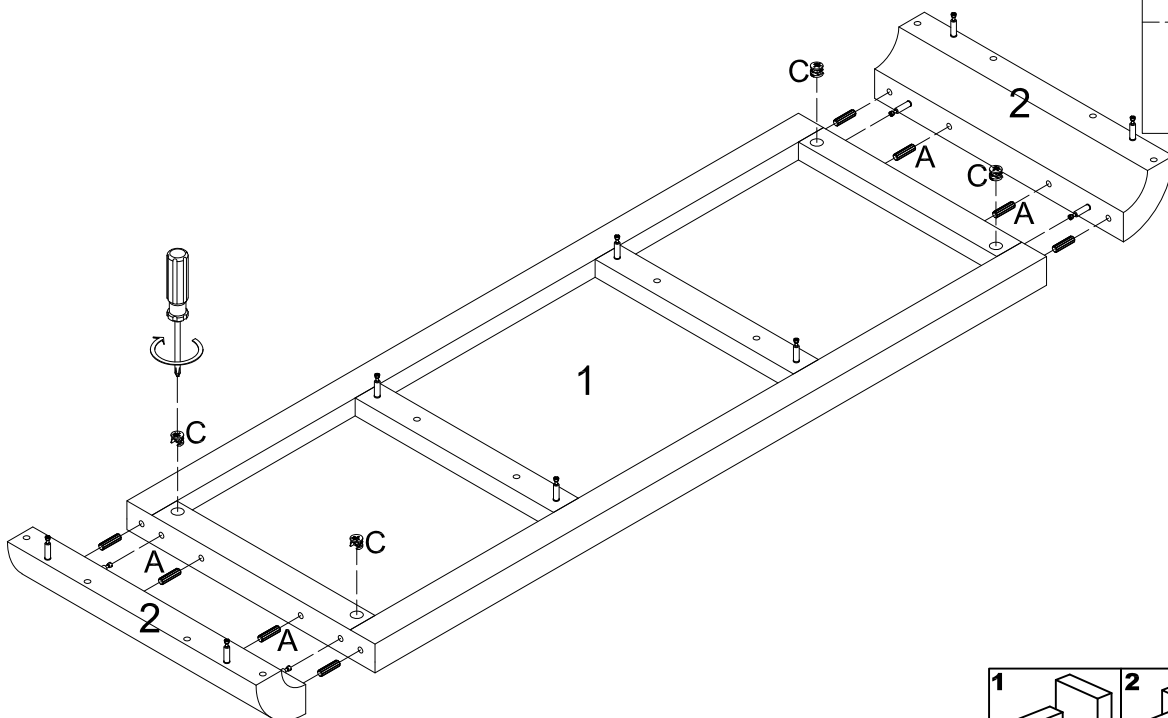


Step 26

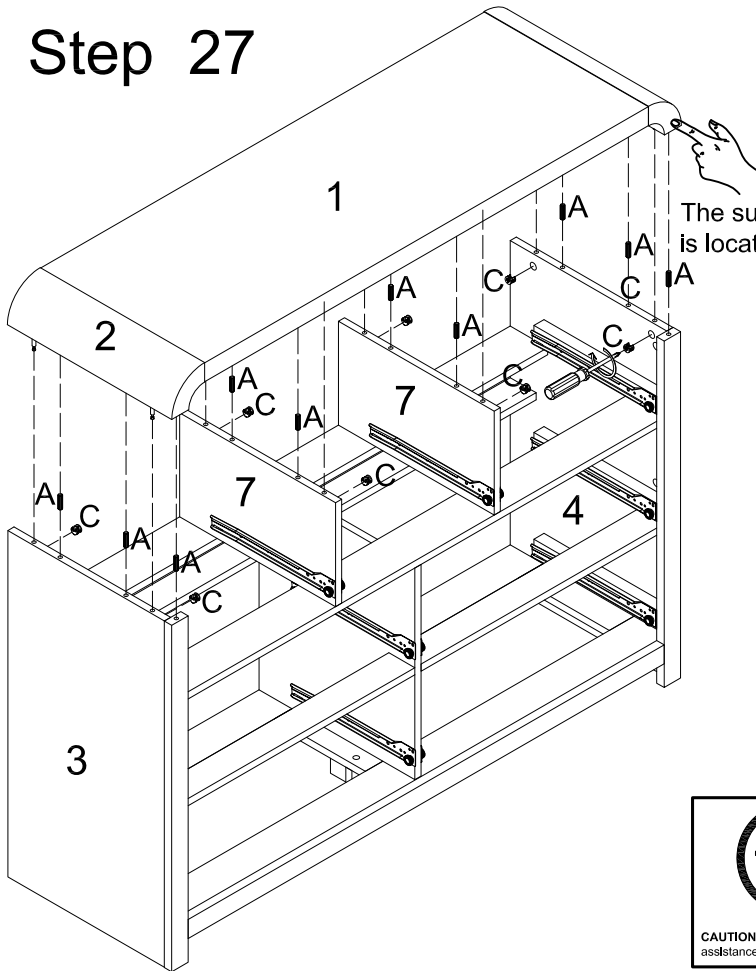
A x 8



C x 4



Step 27

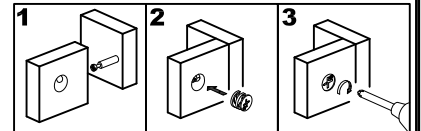
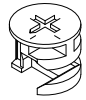


The surface without pre-drilled holes is located at the front.

A x 10

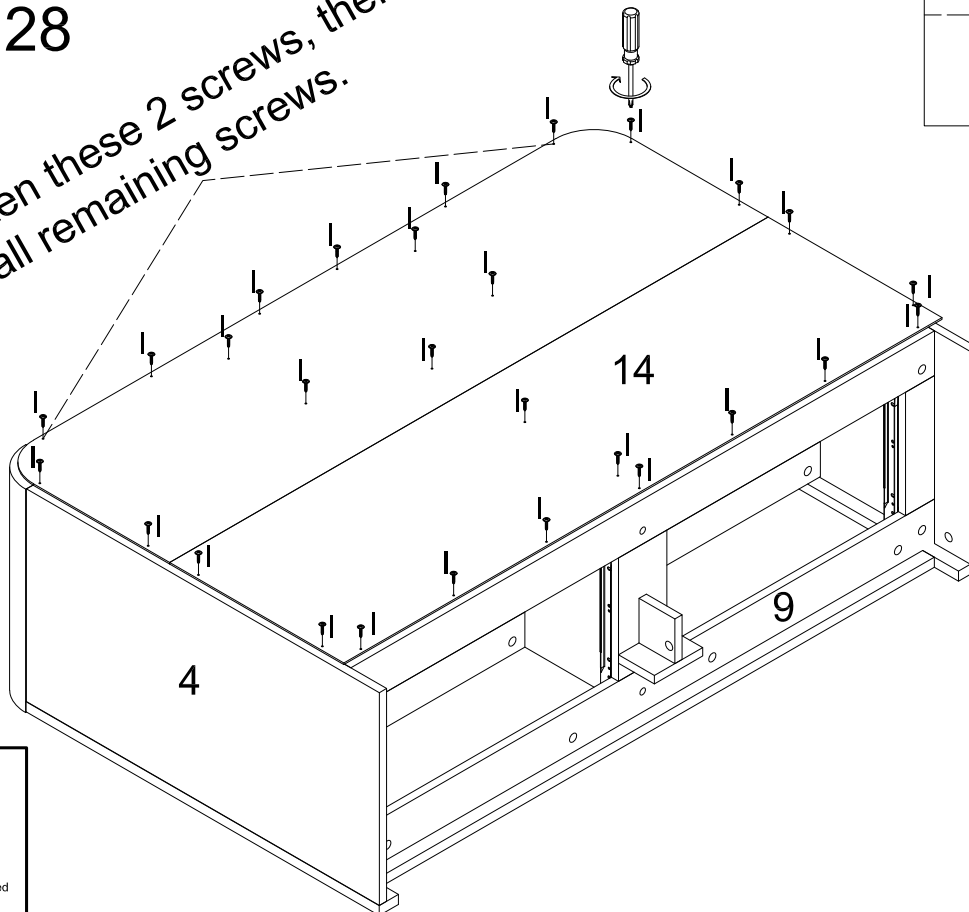


C x 8

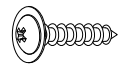


Step 28

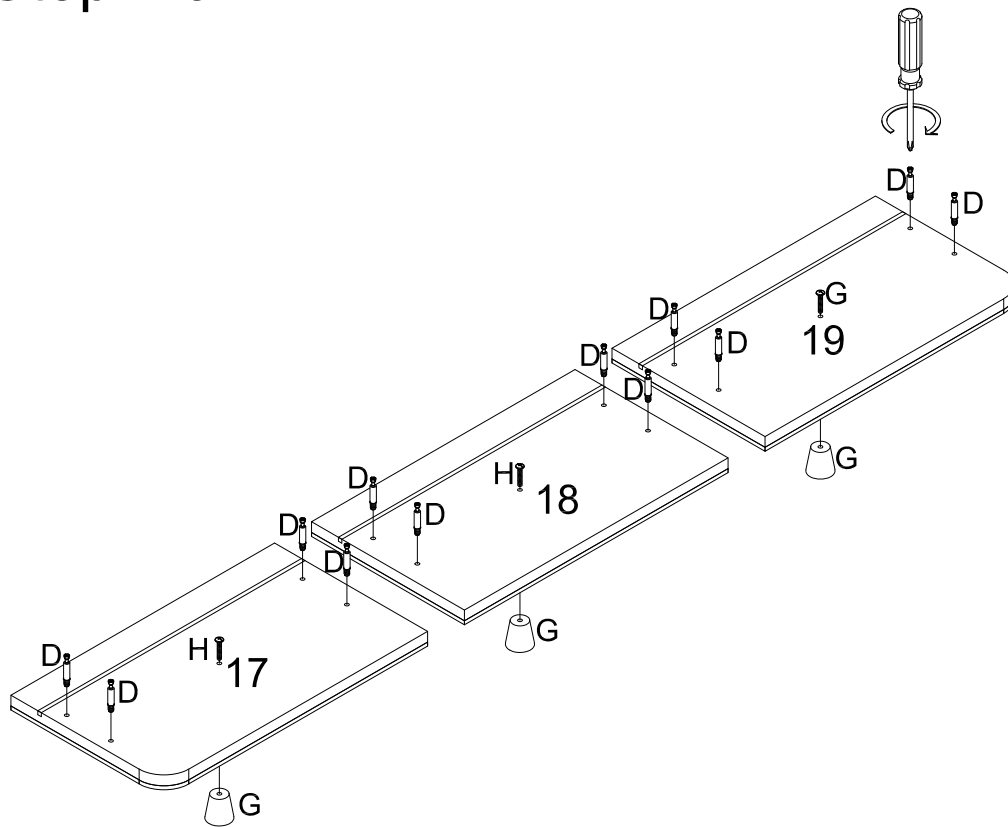
First tighten these 2 screws, then tighten all remaining screws.



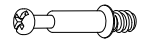
I x 28



Step 29



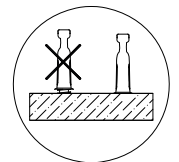
D x 12



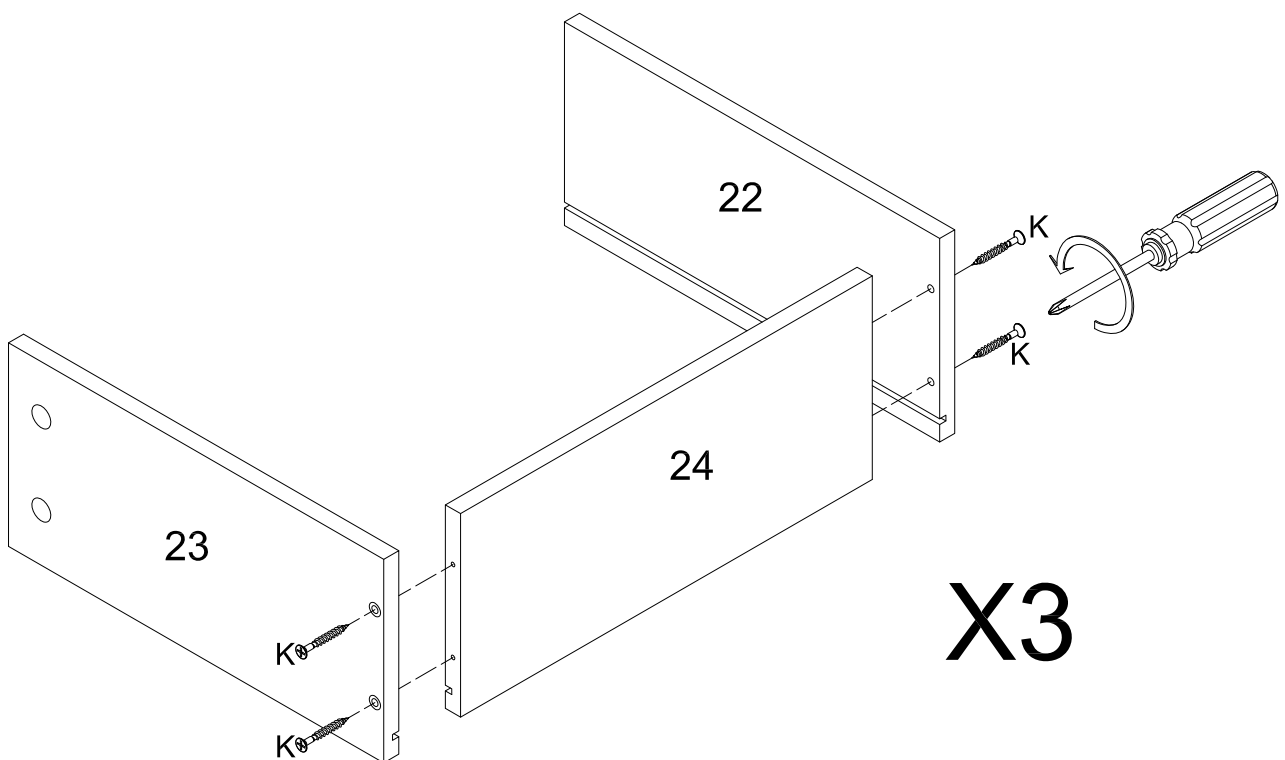
G x 3



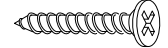
H x 3



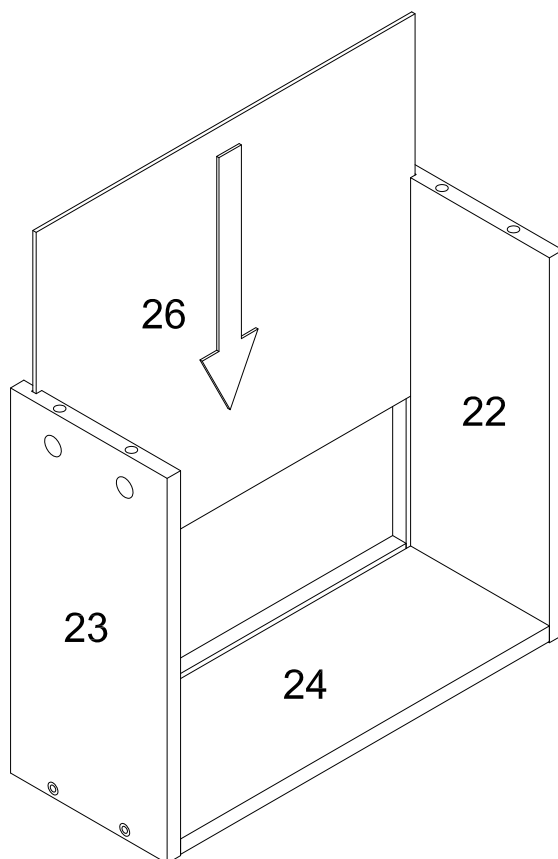
Step 30



K x 12

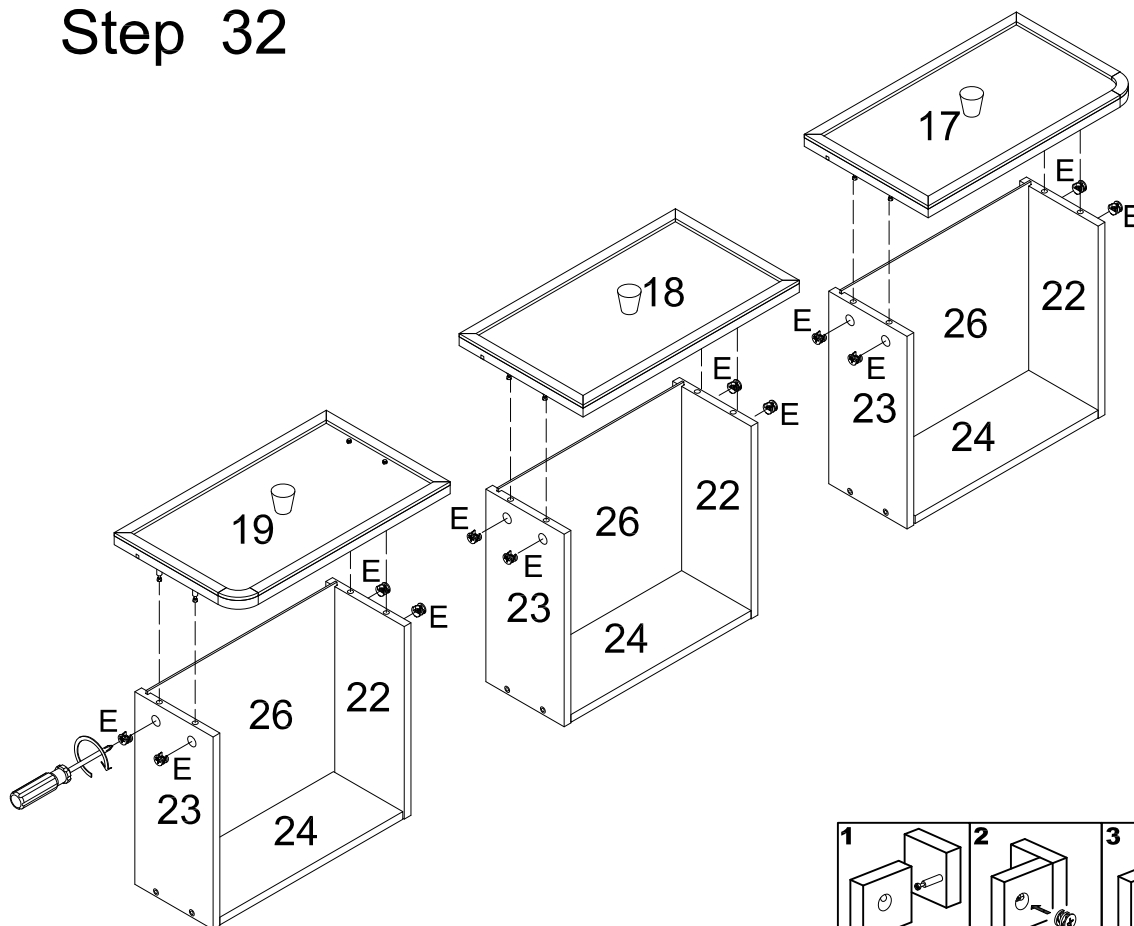


Step 31

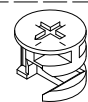


X3

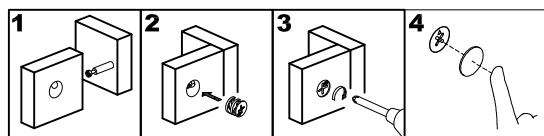
Step 32



E x 12

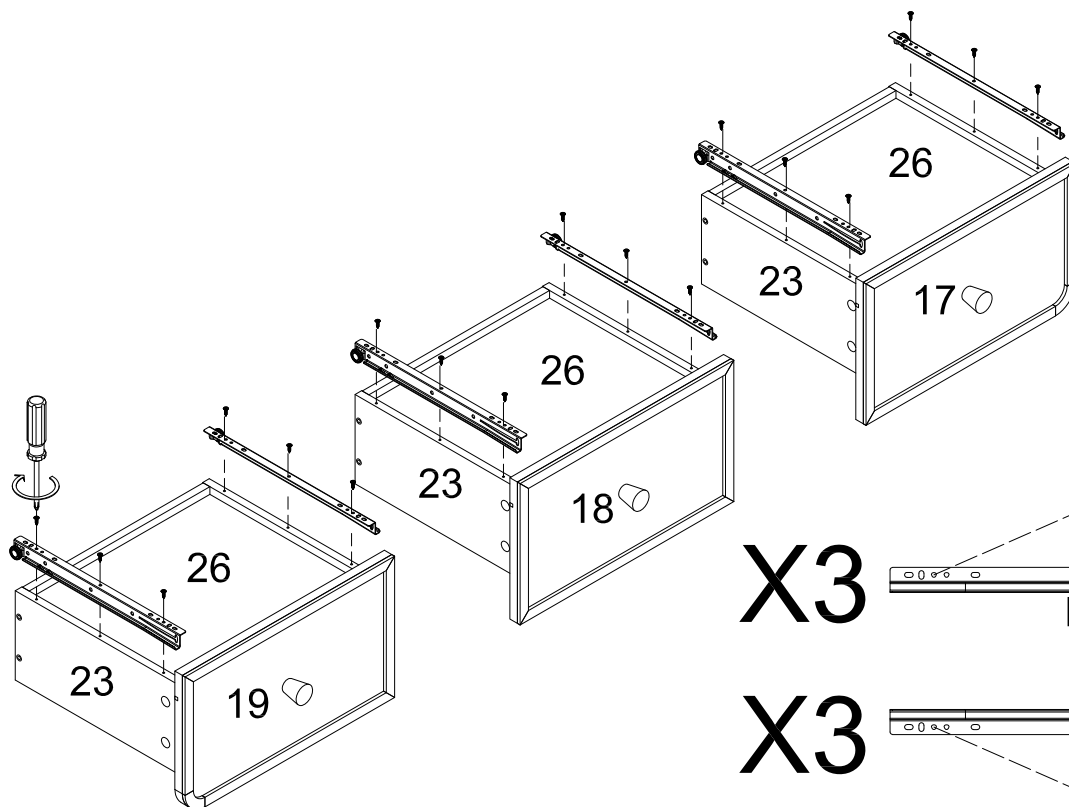


F x 12

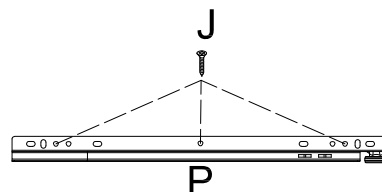


Step 33

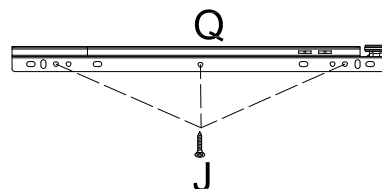
J x 18



X3

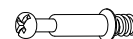


X3



Step 34

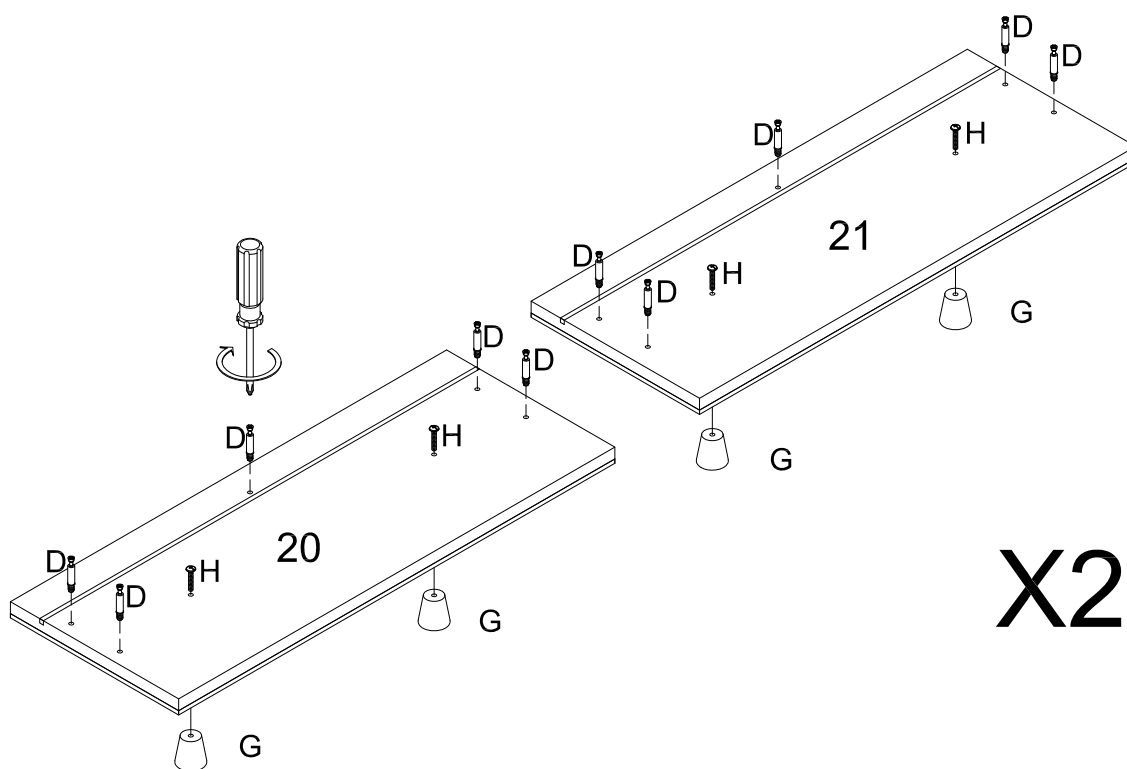
D x 20



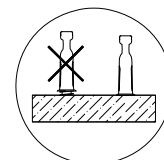
G x 8



H x 8

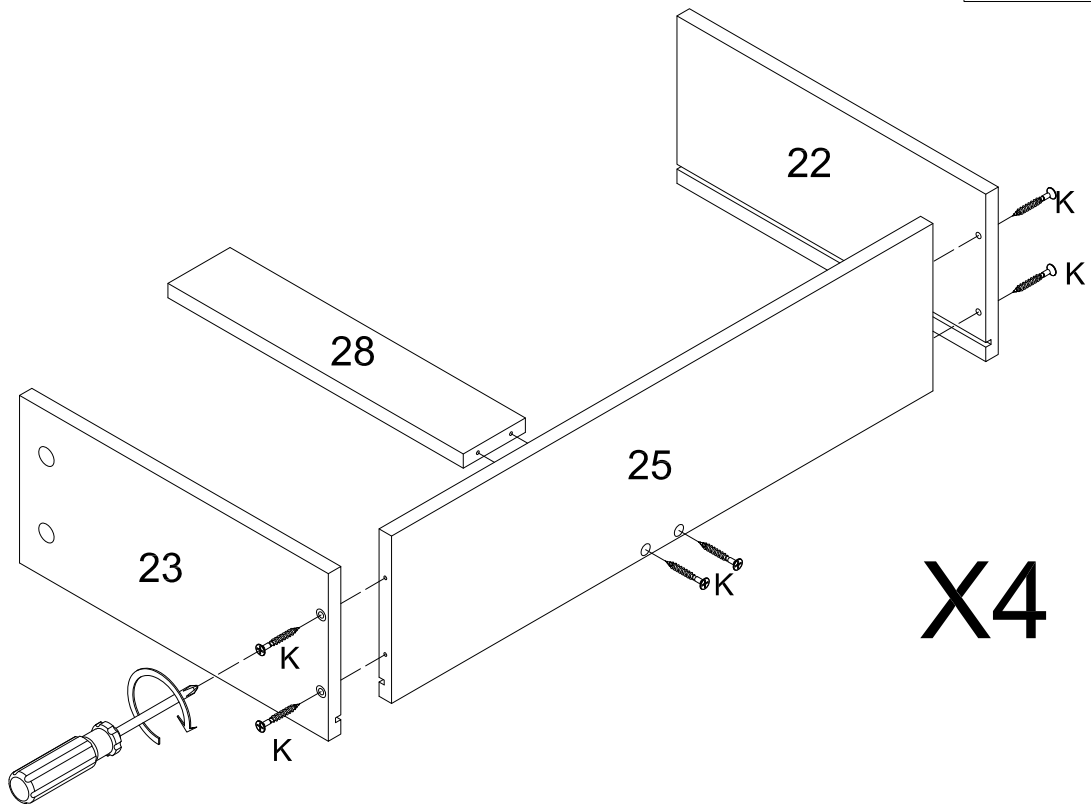
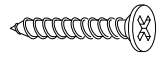


X2



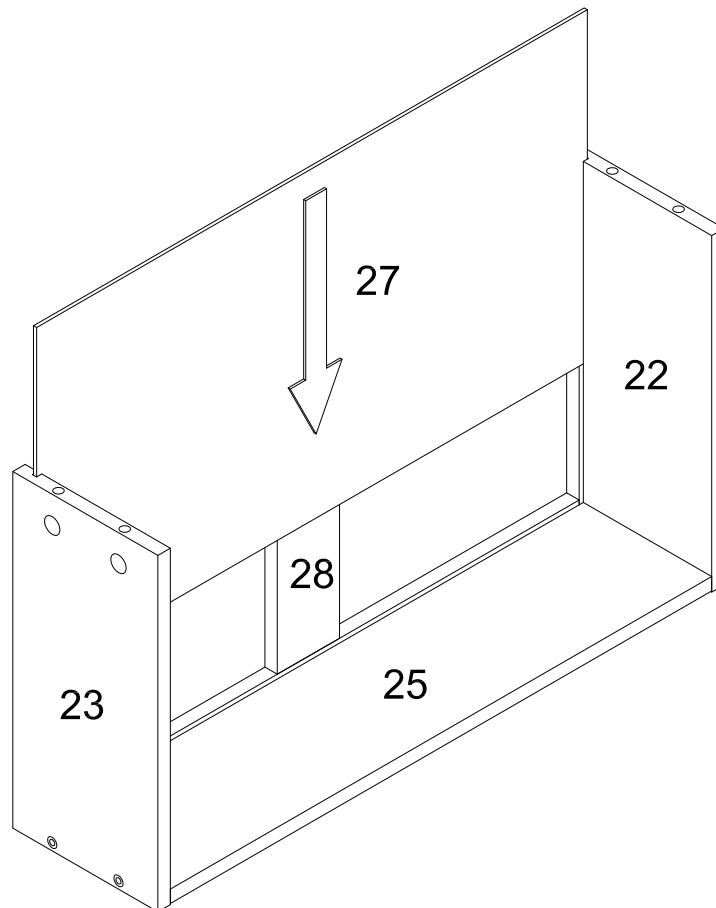
Step 35

K x 24



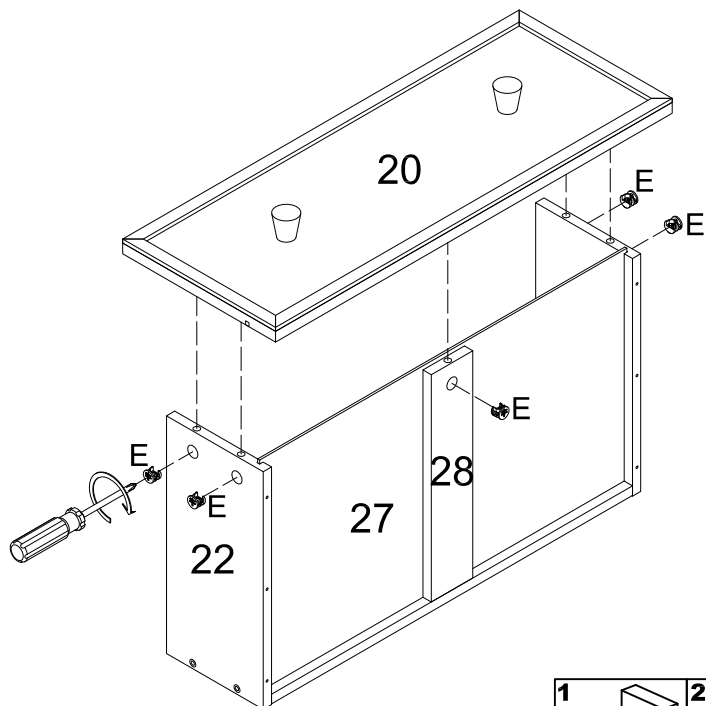
X4

Step 36

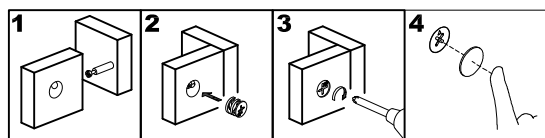


X4

Step 37

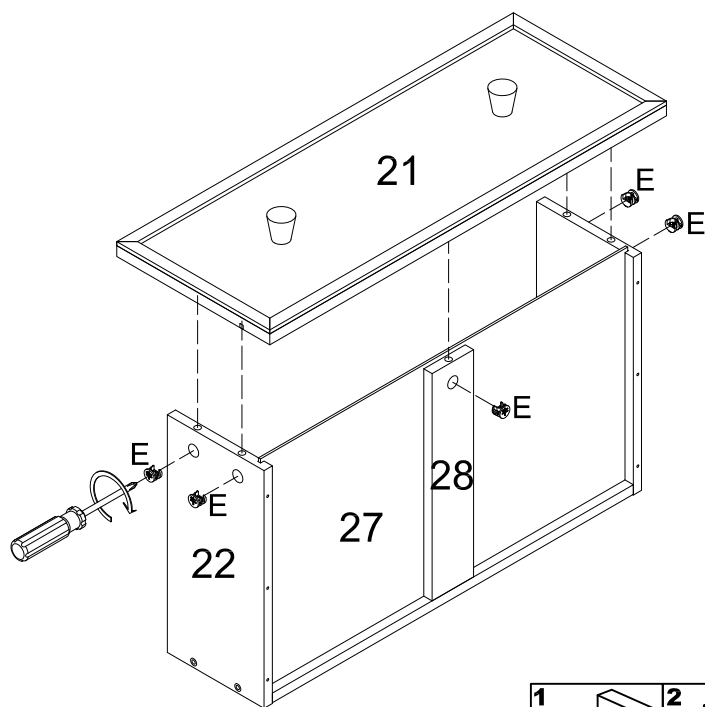


X2

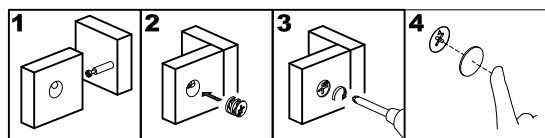


E x 10
F x 8

Step 38

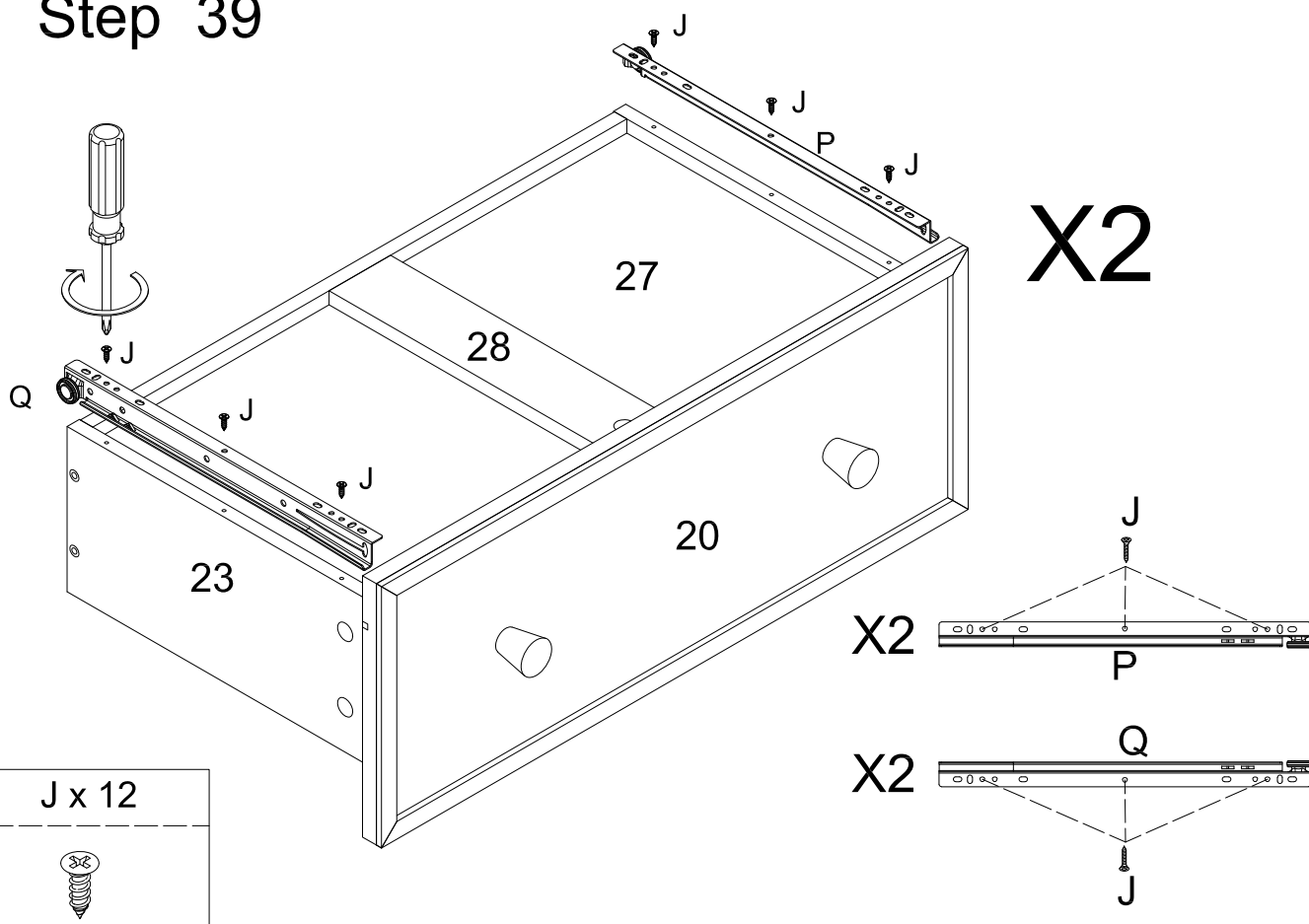


X2

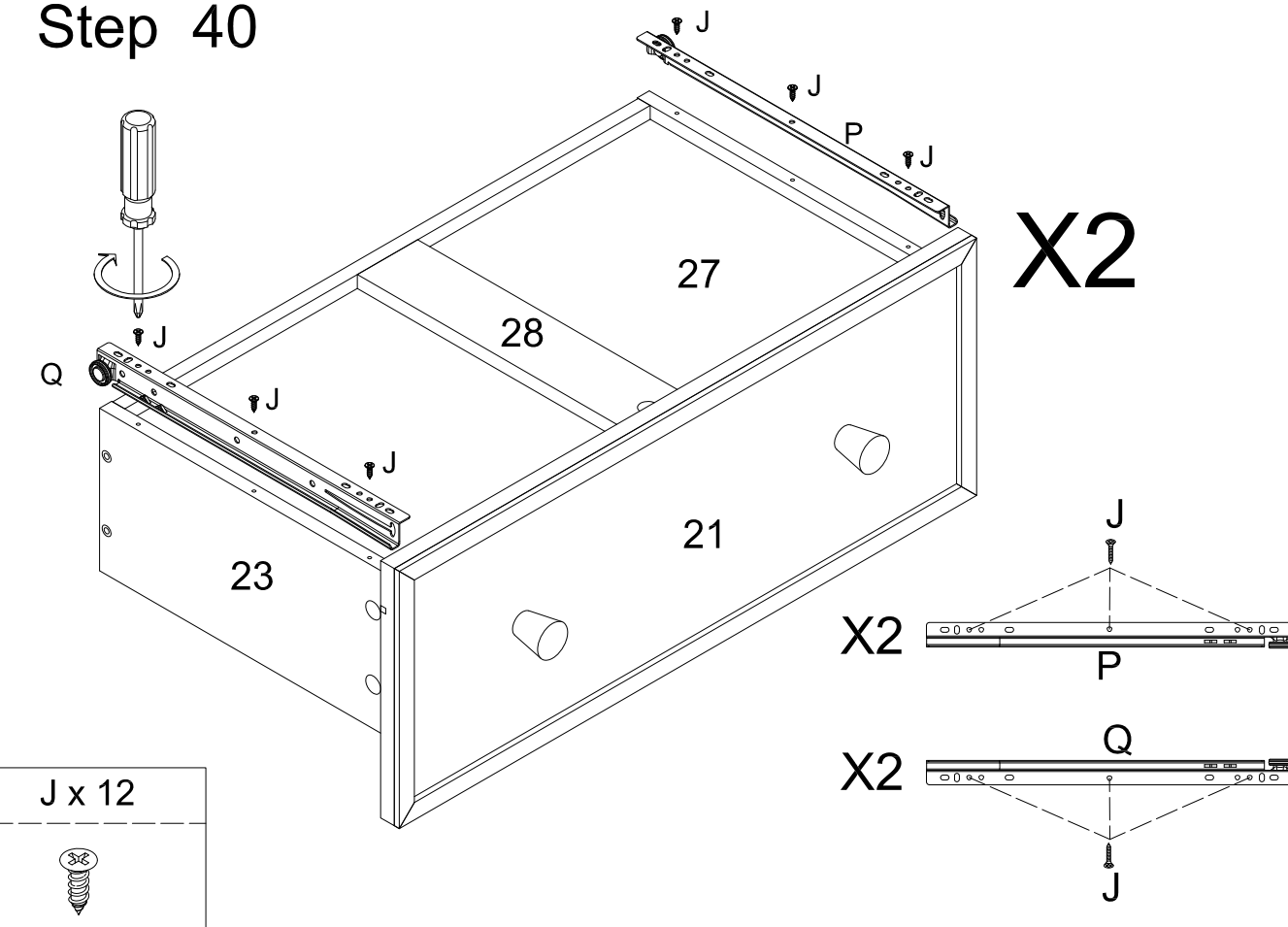


E x 10
F x 8

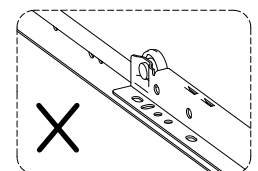
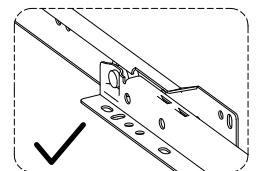
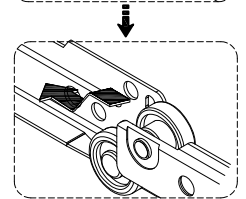
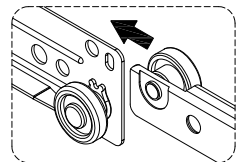
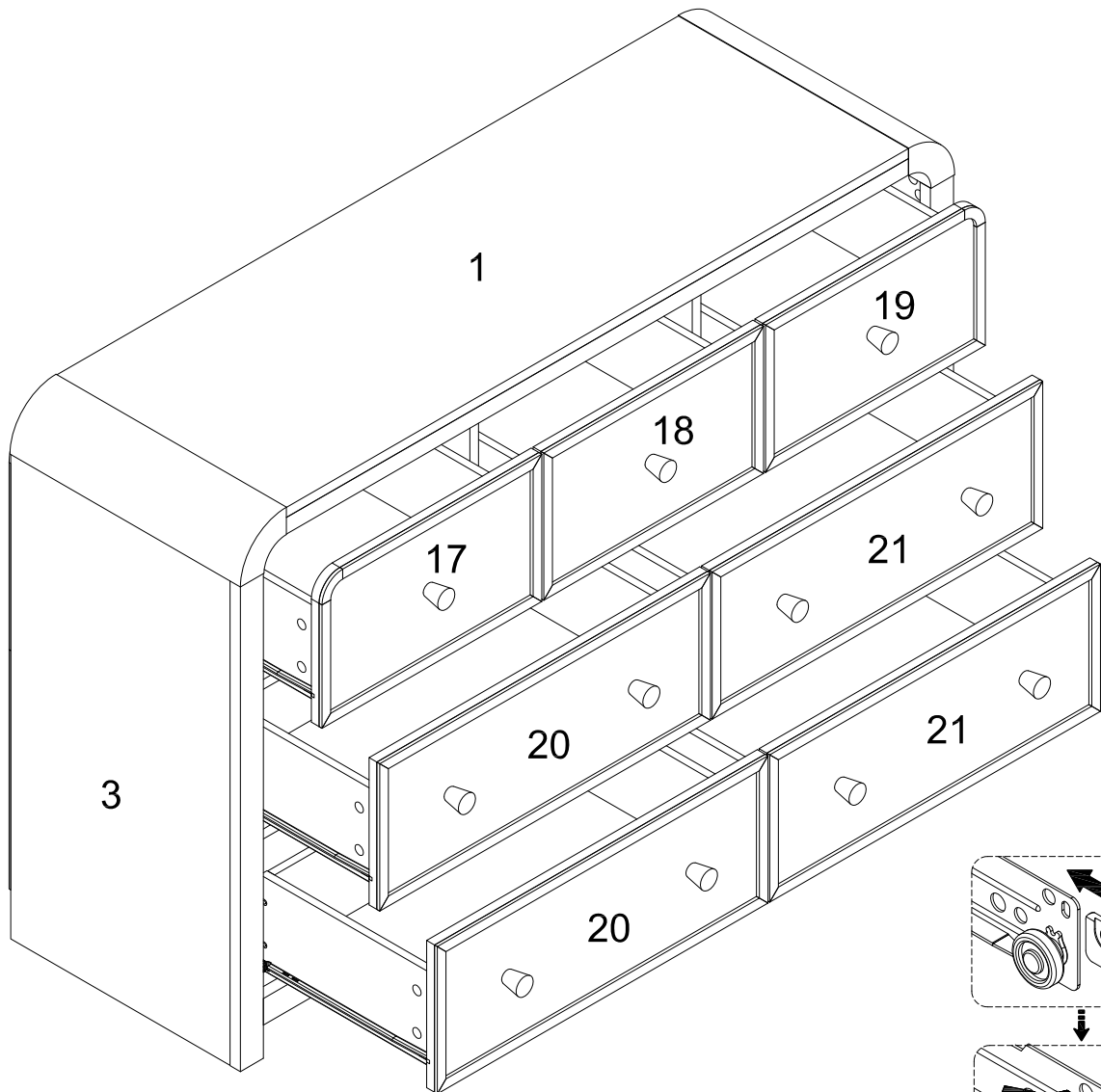
Step 39



Step 40

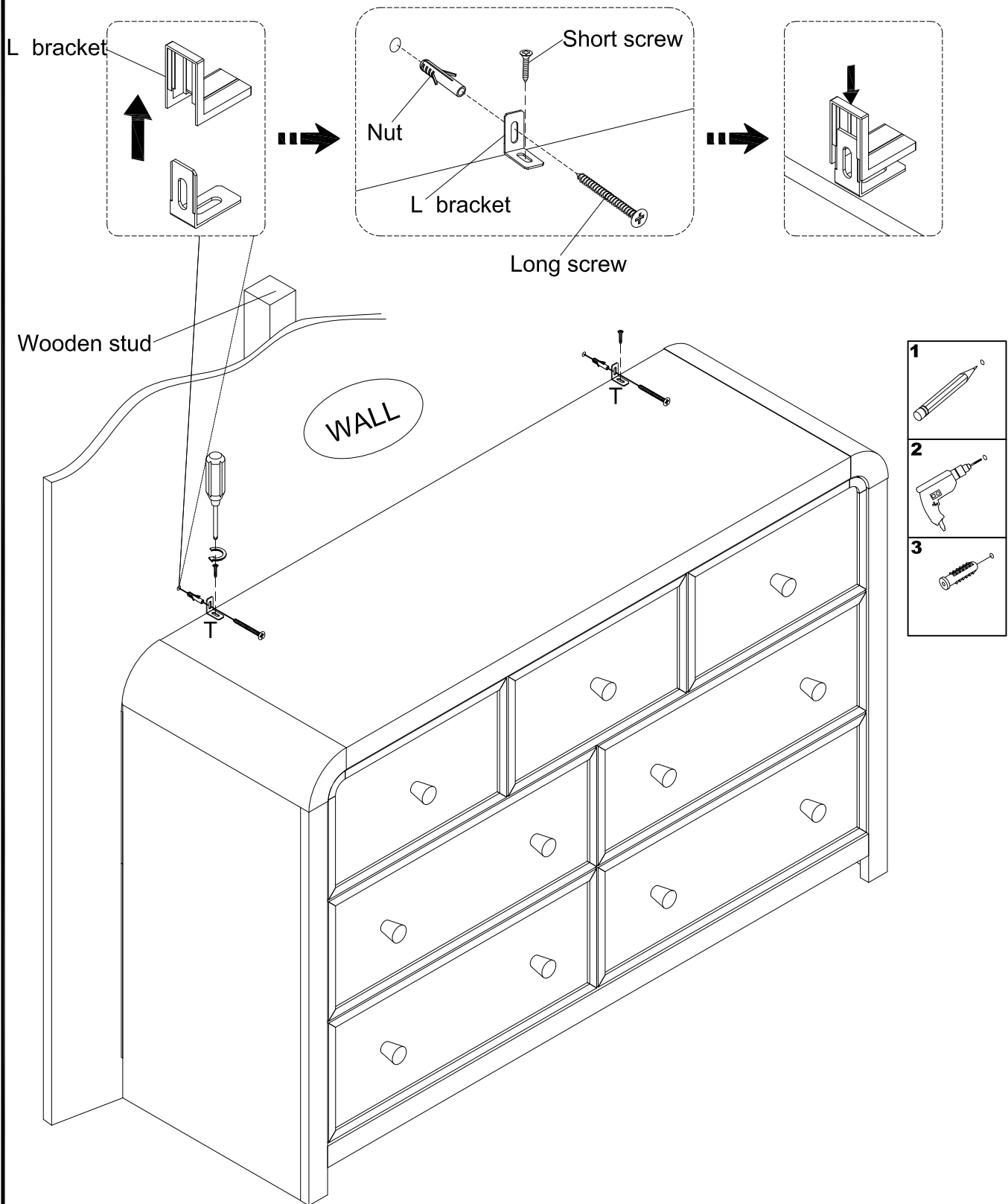


Step 41



Step 42

Serious or fatal injuries can occur from furniture tipping over. To prevent the furniture from tipping over we recommend that it is permanently fixed to the wall. Wall anchor and hardware are included with this product. Please make sure hardware is suitable for your walls before installing, as different wall materials may require different types of anchors.



Step 43

