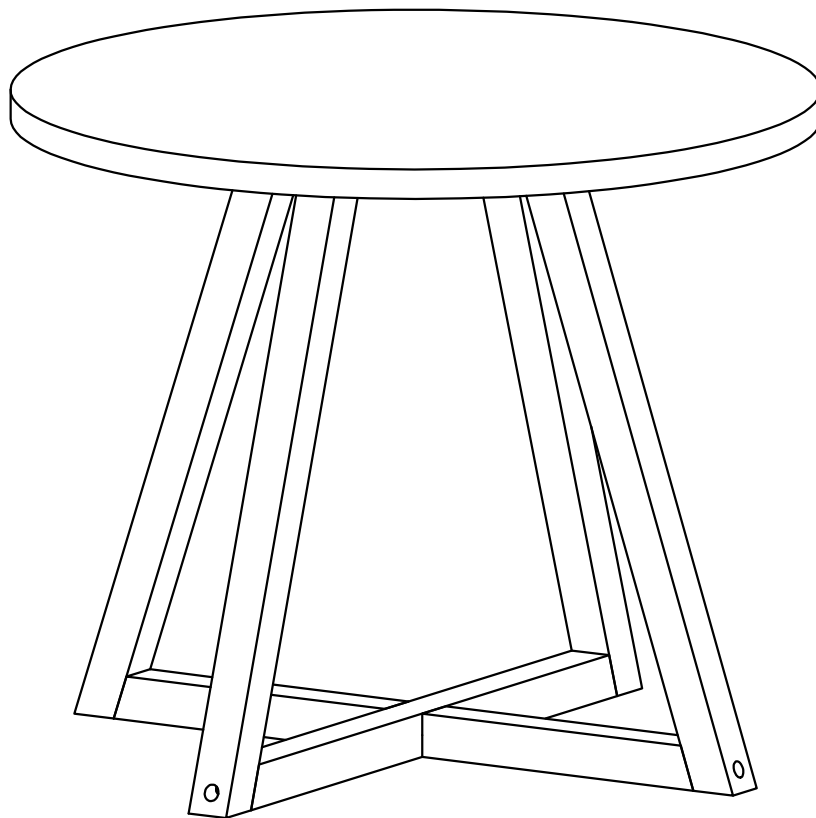
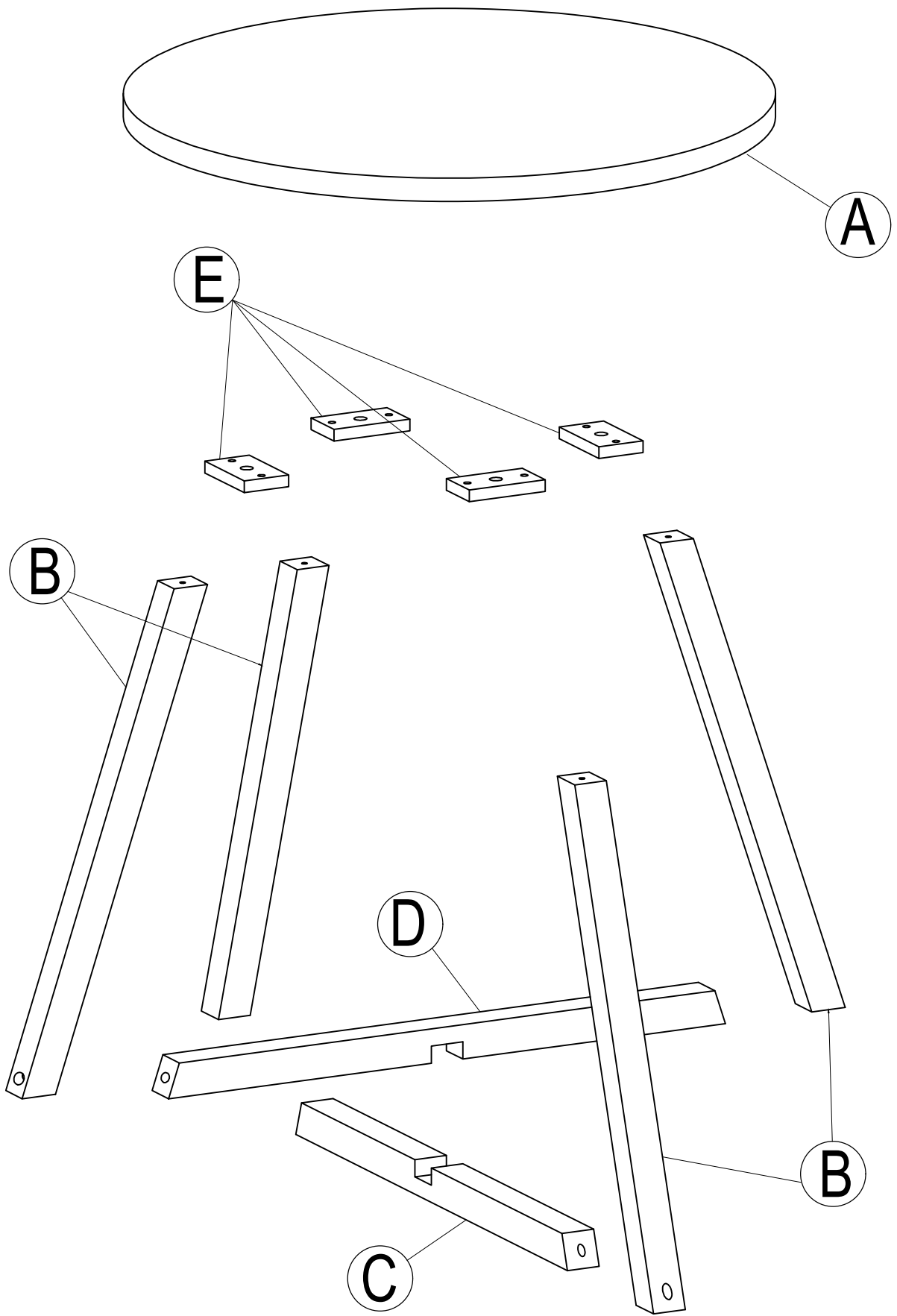


ASSEMBLY INSTRUCTIONS



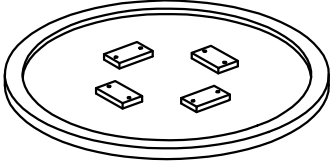

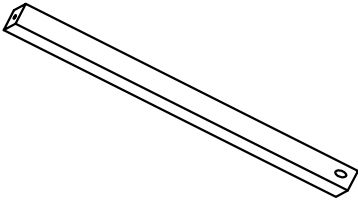
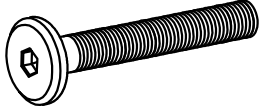
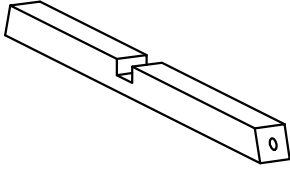
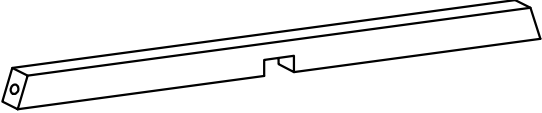

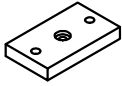

IMPORTANT NOTE :

- ① PLACE ALL PARTS ON A CLEAN AND SMOOTH SURFACE SUCH AS A RUG OR CARPET TO AVOID THE PARTS FROM BEING SCRATCHED.
- ② BEFORE YOU BEGIN, KINDLY FOLLOW THE ASSEMBLY INSTRUCTIONS STEP BY STEP.
- ③ DO NOT TIGHTEN ALL SCREWS AND BOLTS UNTIL THE CHAIR IS FULLY SET-UP.

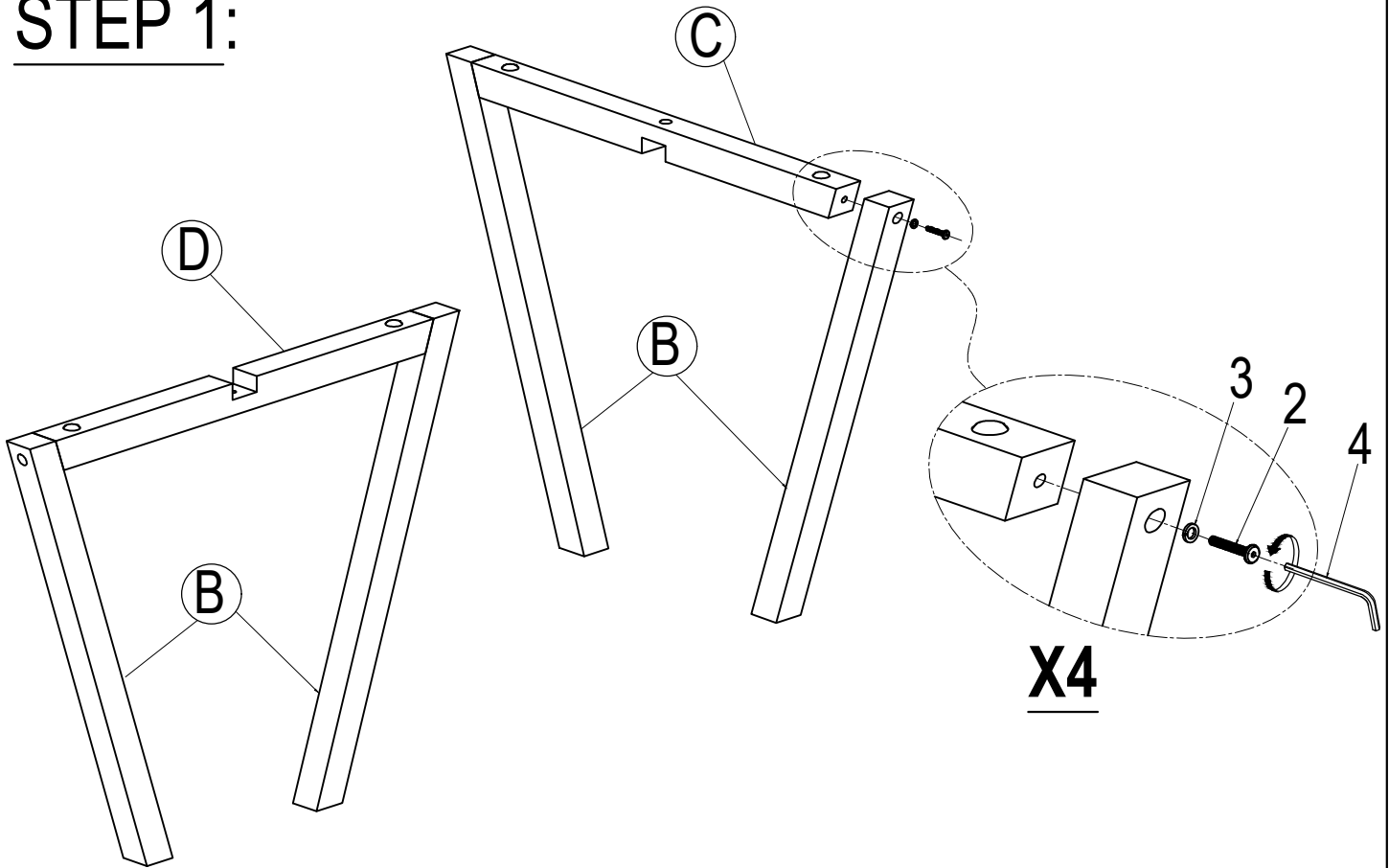


Part List

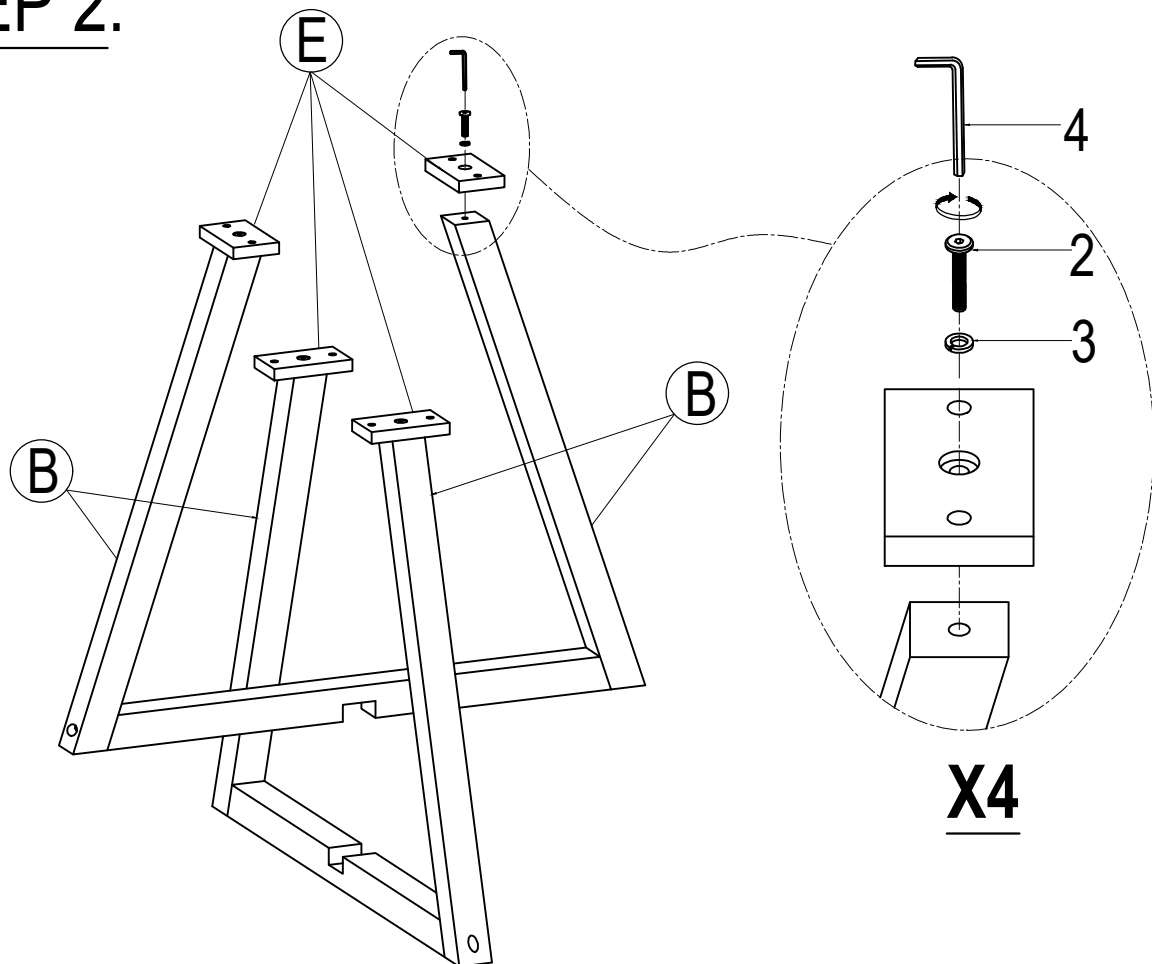
Hardware List

<p>(A)</p> 	<p>(1)</p> 
<p>TOP TABLE (1pc)</p>	<p>Ø 1/4" x 30 mm</p>
<p>(B)</p> 	<p>BOLT (8 pcs)</p>
<p>LEG TABLE (4pcs)</p>	<p>(2)</p> 
<p>(C)</p> 	<p>Ø 5/16" x 40 mm</p>
<p>STRETCHER BOTTOM (1pc)</p>	<p>BOLT (9 pcs)</p>
<p>(D)</p> 	<p>(3)</p> 
<p>STRETCHER TOP (1pc)</p>	<p>Ø5/16" x 13 mm</p>
<p>(E)</p> 	<p>FLAT WASHER (17 pcs)</p>
<p>TABLE LEG BASE PANEL(4pcs)</p>	<p>(4)</p> 
	<p>4 mm</p> <p>ALLEN KEY (1 pc)</p>

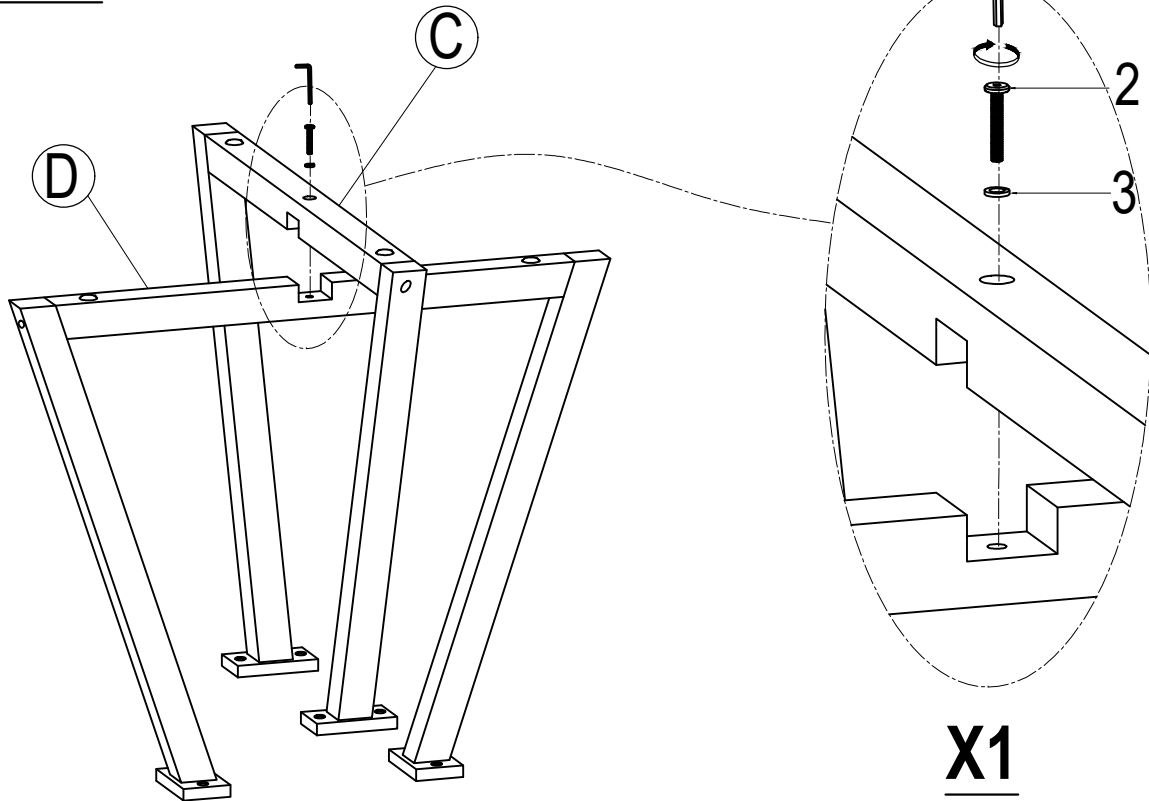
STEP 1:



STEP 2:



STEP 3:



STEP 4:

