

Before Installation:

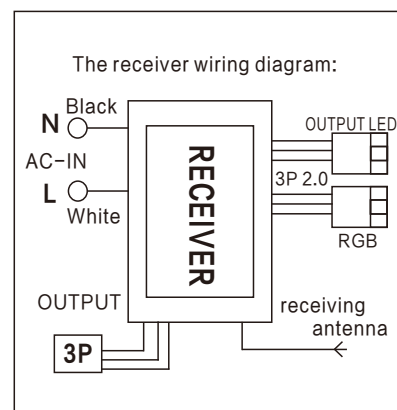
- a) Please do not install any dimmer switch, but it is available to use a simple "on/off" wall switch with the remote.
- b) If you purchased the dimmable ceiling fan and are willing to install a dimmer switch, please do not install this remote. It does not acknowledge installing both controls at the same time.

Installation & Function

- 1.ON/OFF
- 2.Join/Get rid of
- 3.Color temperature switching
- 4.Night lights
- 5.Brightness+
- 6.Brightness-
- 7.Color temperature-
- 8.Color temperature +
- 9.Full pass
- 10.RGB Control
- 11.Fan off
- 12.Fan 1 gear
- 13.Fan 2 gear
- 14.Fan 3 gear
- 15.Fan 4 gear
- 16.Fan 5 gear
- 17.Fan 6 gear
- 18.Positive and cons
- 19.Wind turbine
- 20.Set time



APP



Note: The battery for the remote controller is not included under the safety concern in transit, please use model# "AAA" battery.
*For several ceiling fans, please press the the turn off/on button quickly, the light tone will change immediately.

Re-Program:

- a) Turn Off the main power of the Ceiling fan for 10 minute, then turn On the main power
- b) Press General Off for 5 seconds at the same time
- c) The light will flicker 3 times
Then please try the remote again.